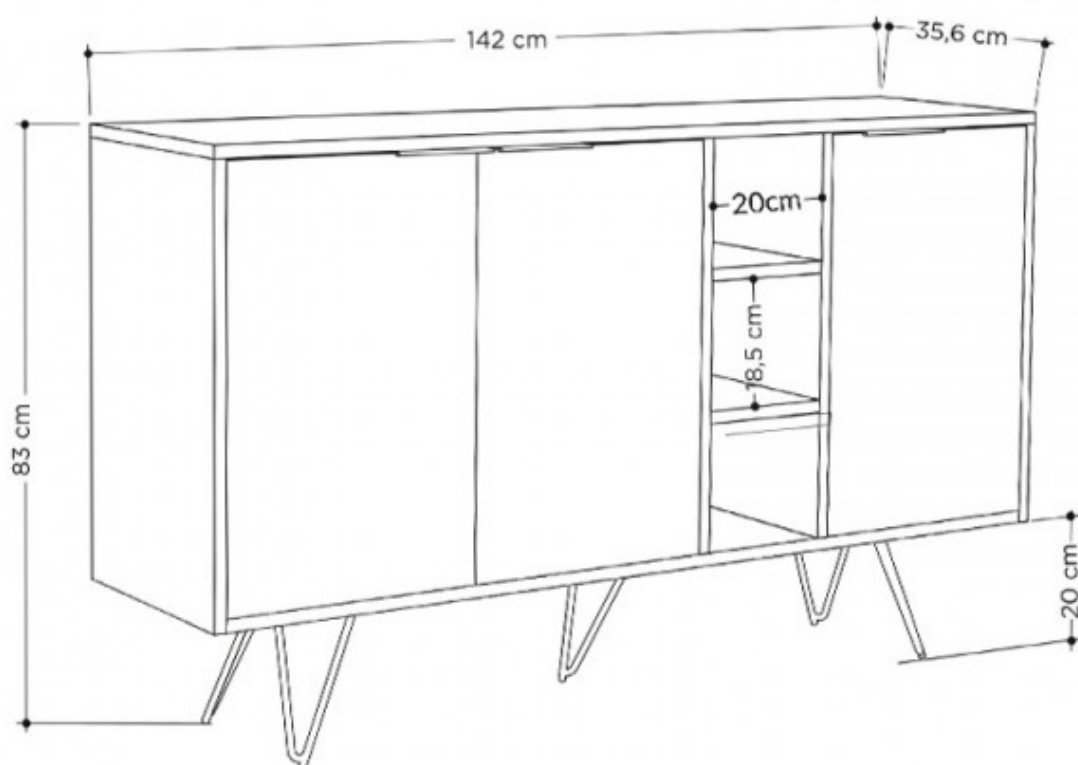
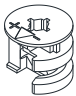

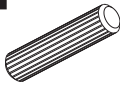






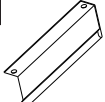
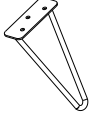



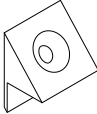
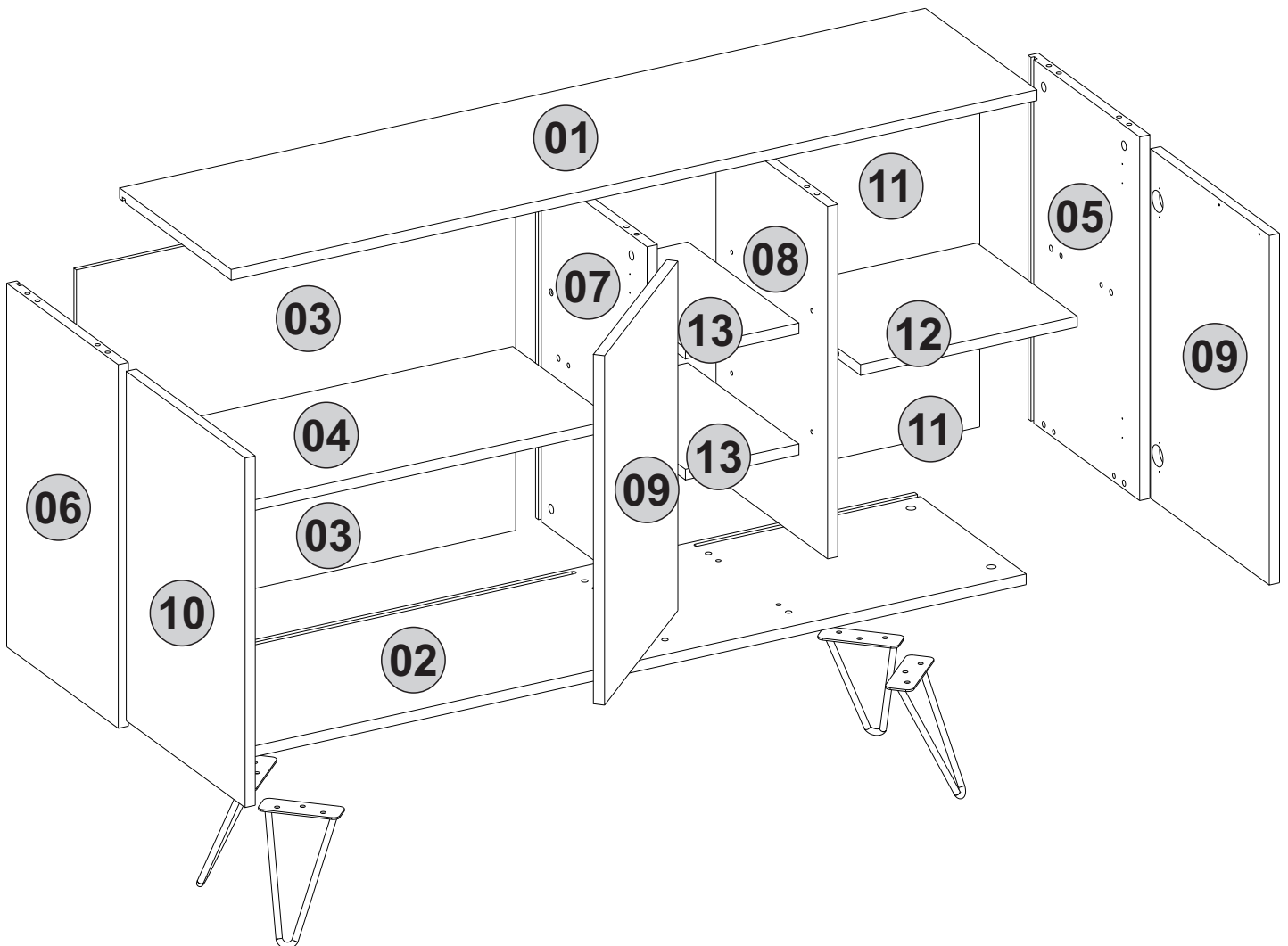


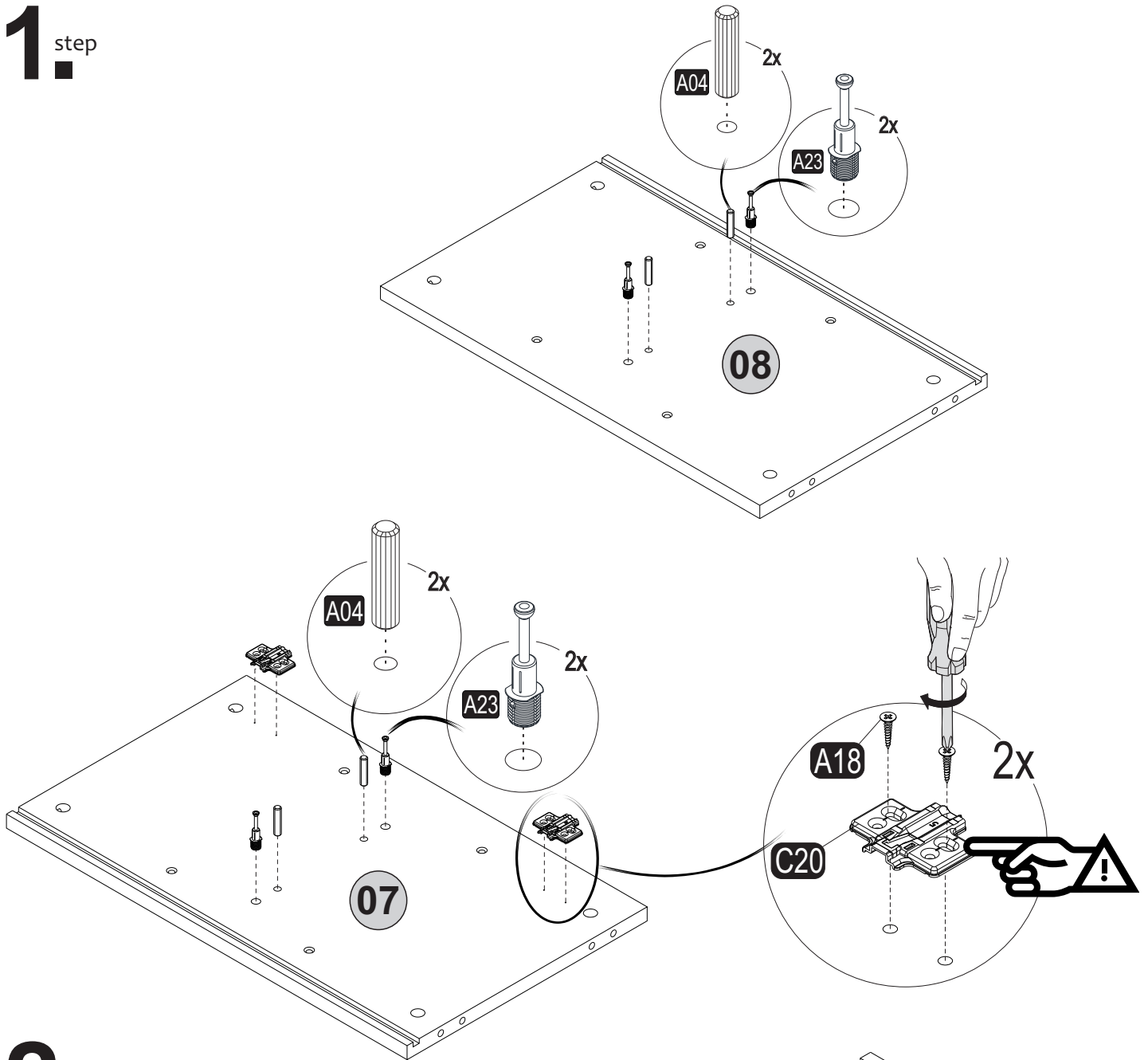
i GP037-0004,5



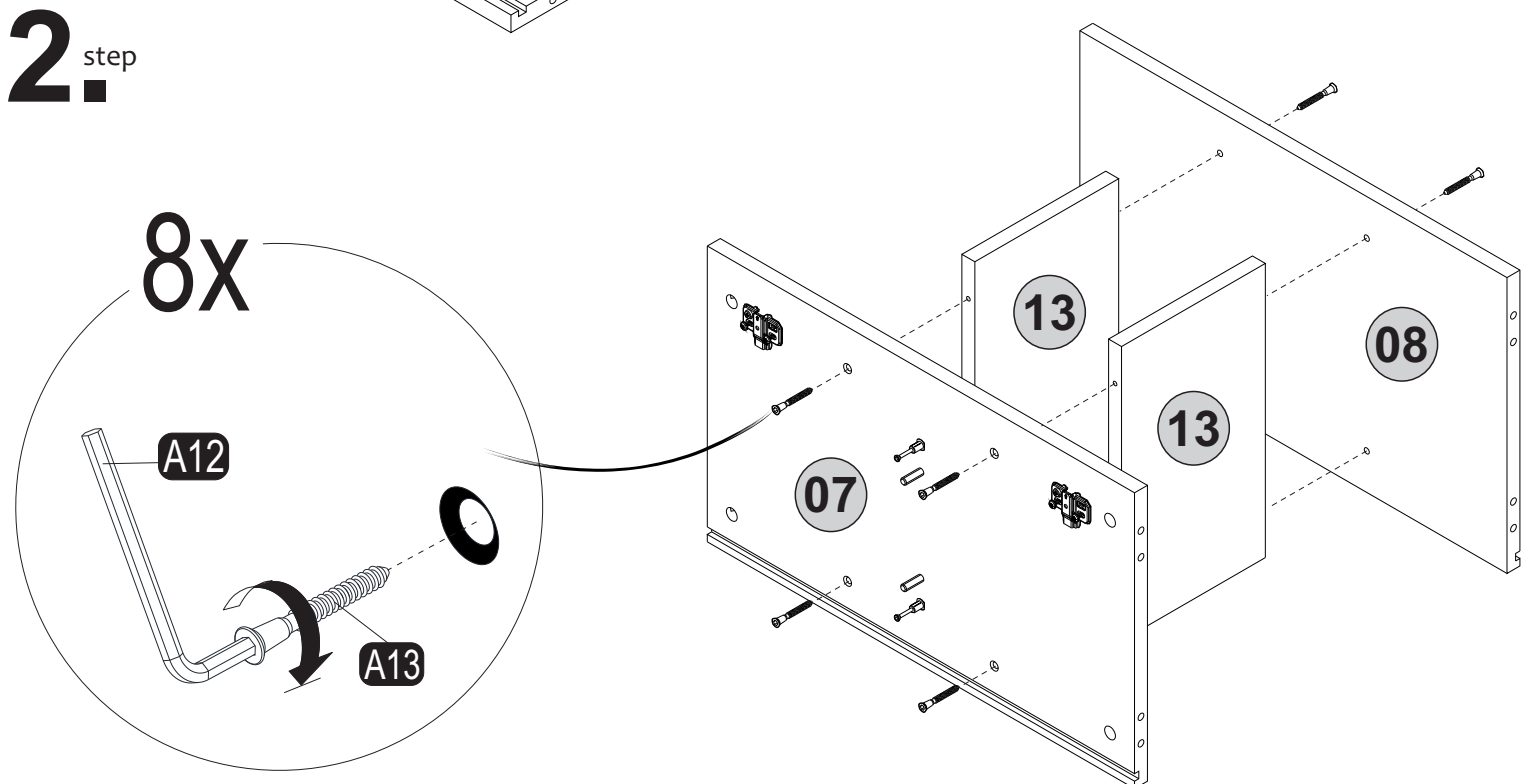
| | | | | |
|---|---|---|--|--|
| A22 Minifix k18  24x | A23 Minifix M10  24x | A04 Ø8  24x | A13 50mm  8x | A12 4 SW  1x |
| C19 SdbF(S)  3x | C16 Sdb(S)  3x | C20 Mtk(S)  6x | A18 3,5x18  54x | Z51 K128mm (black)  3x |
| Z88 MBA  5x | B15 15 (black)mm  15x | A69 P.D.  15x | A06 18mm  32x | A25 ARK.PL  12x |



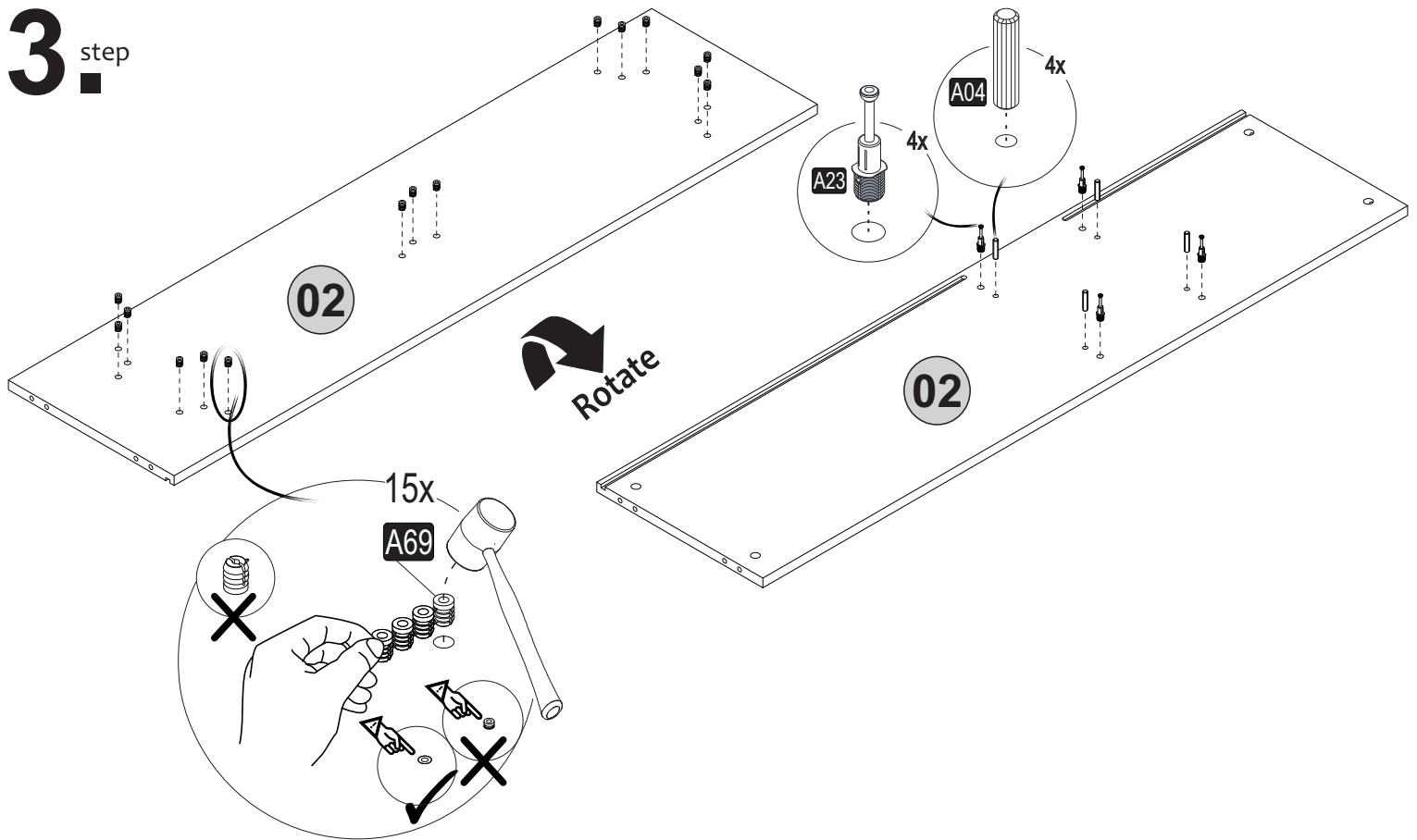
1. step



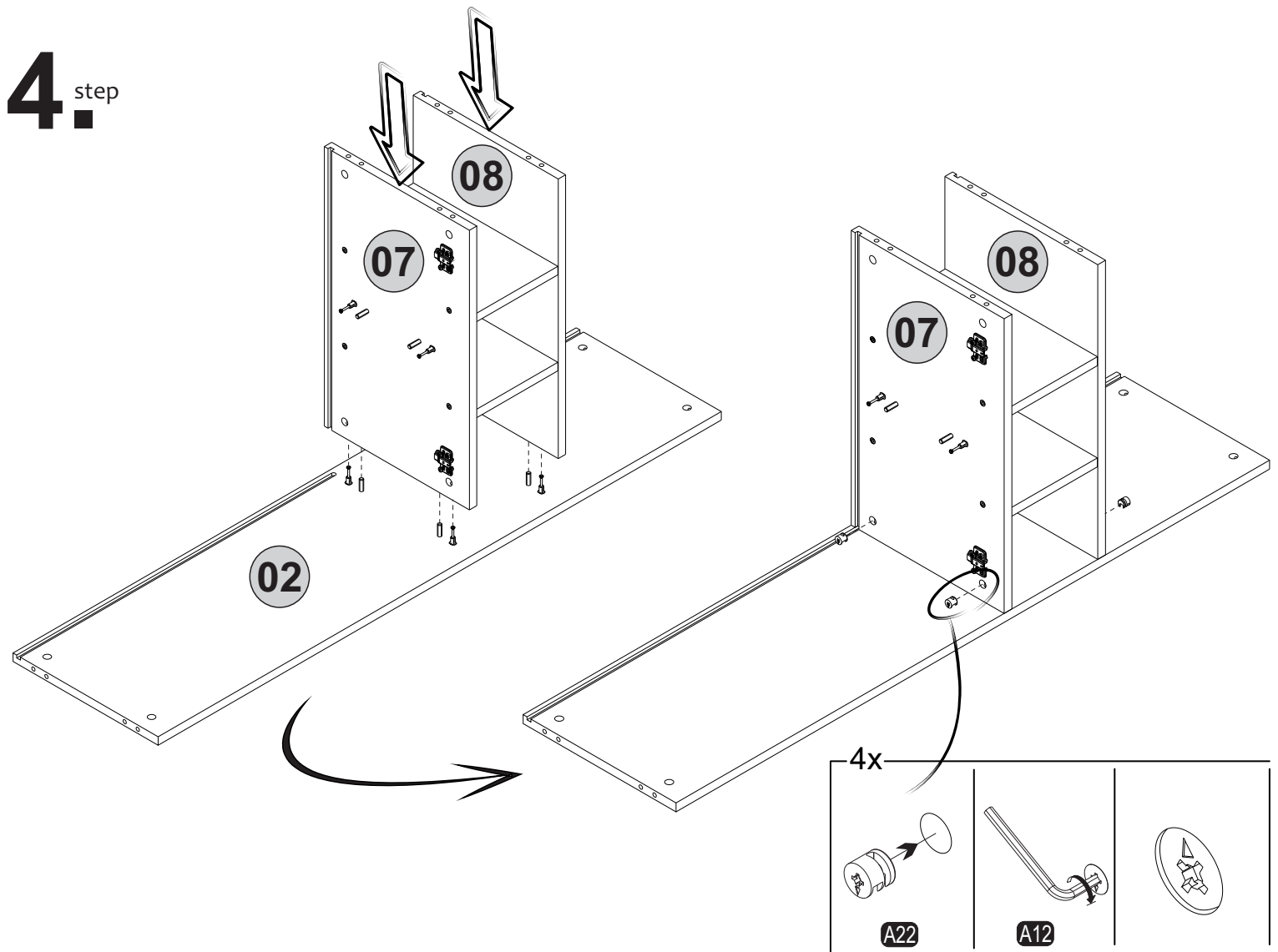
2. step



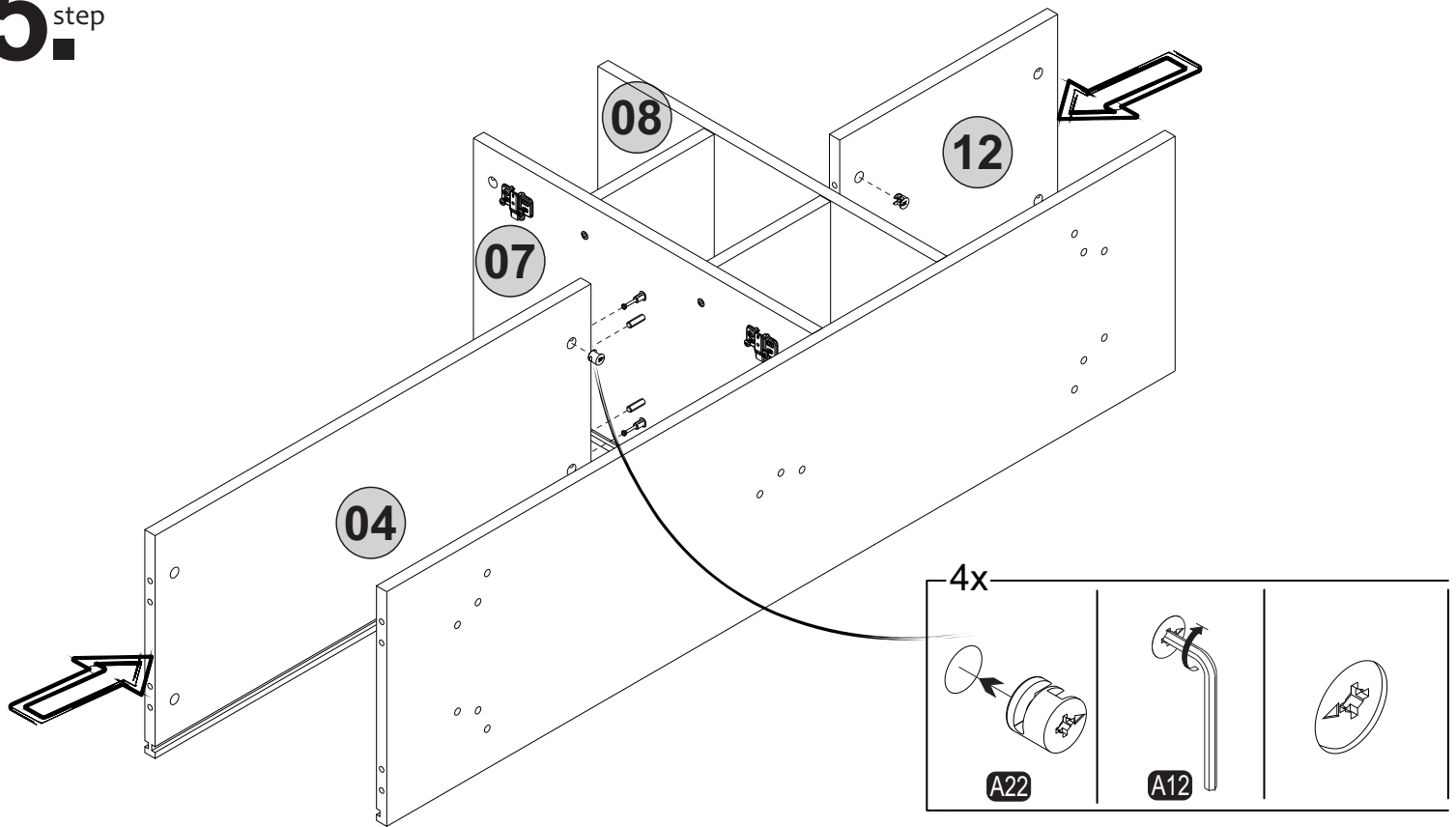
3 step



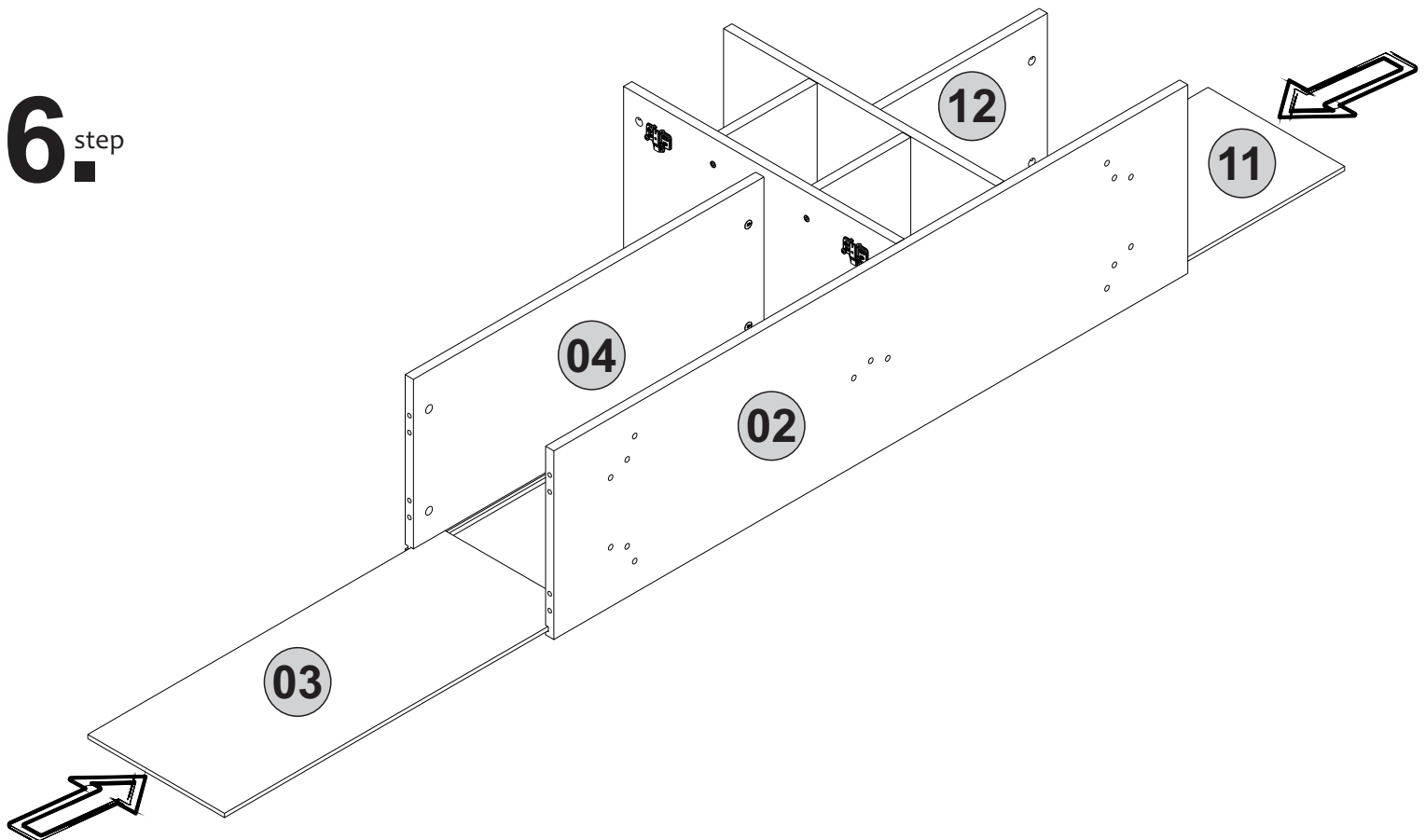
4 step



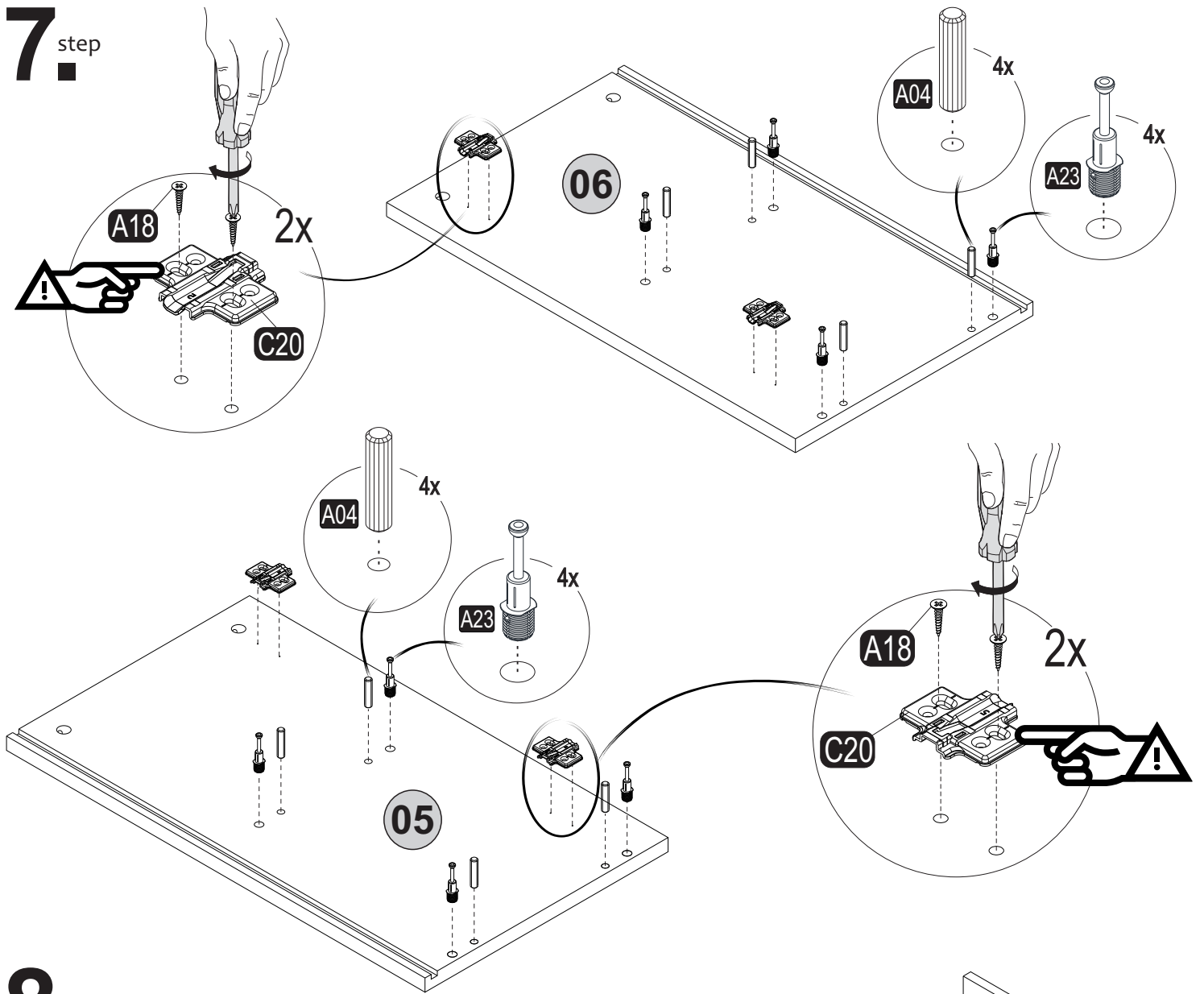
5^{step}



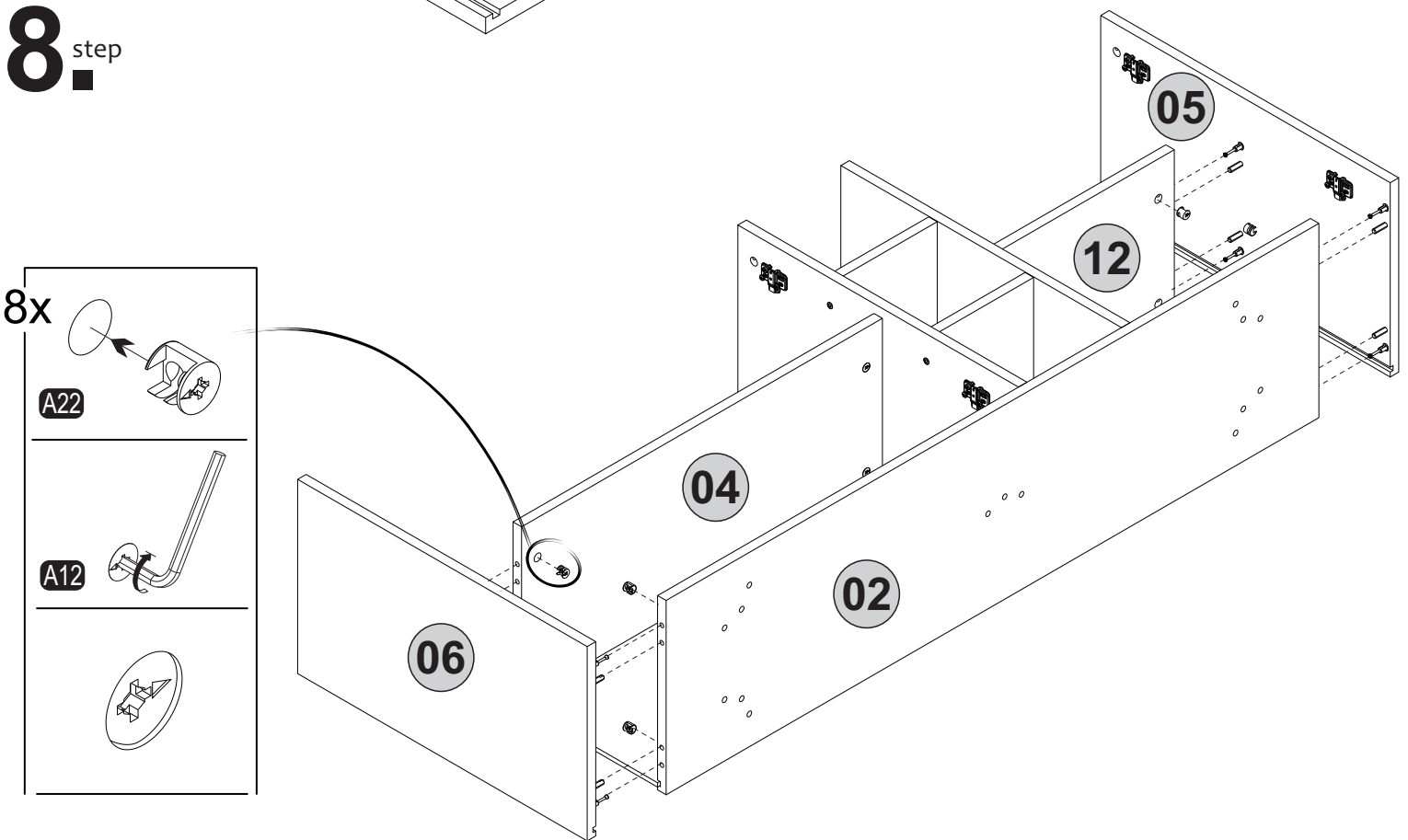
6^{step}



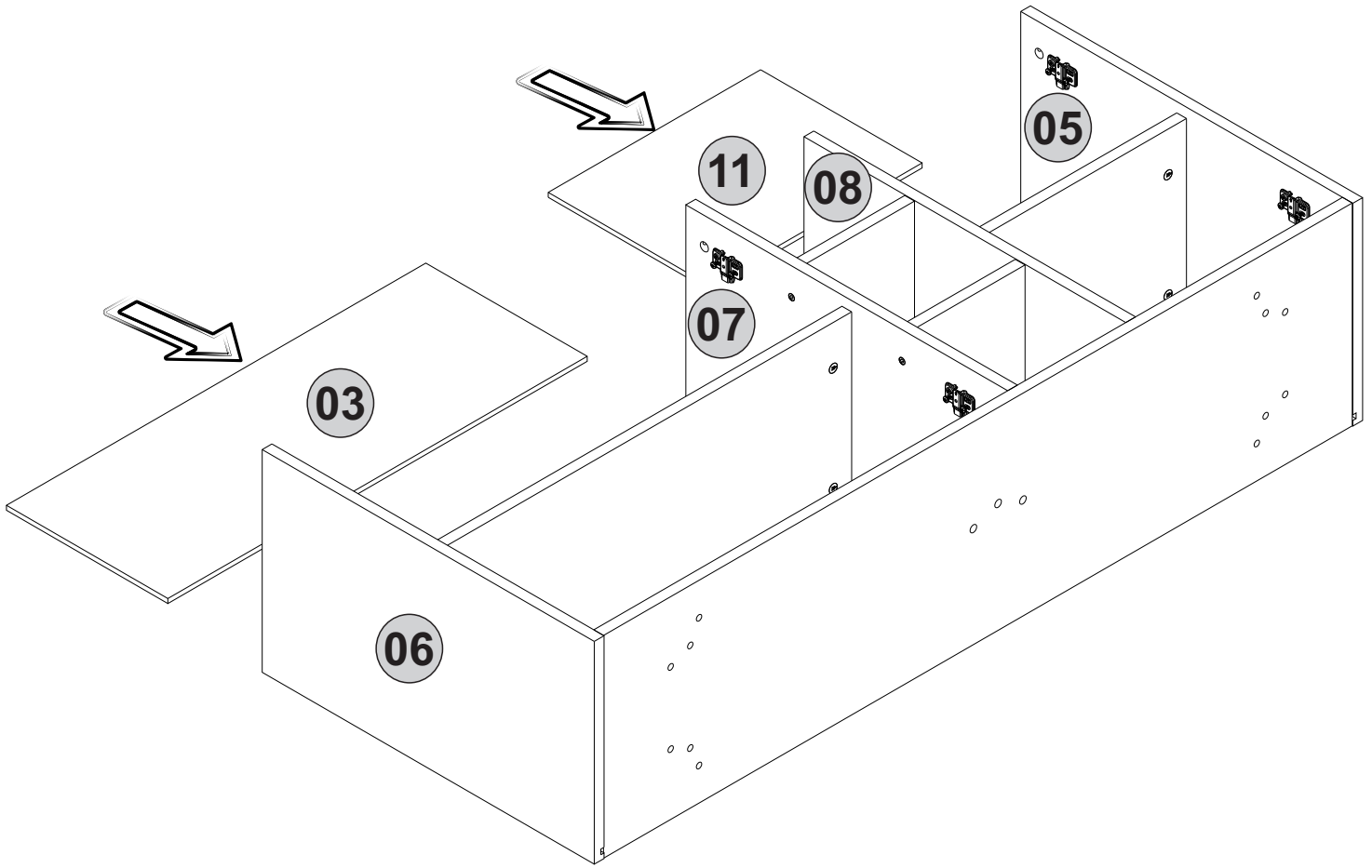
7. step



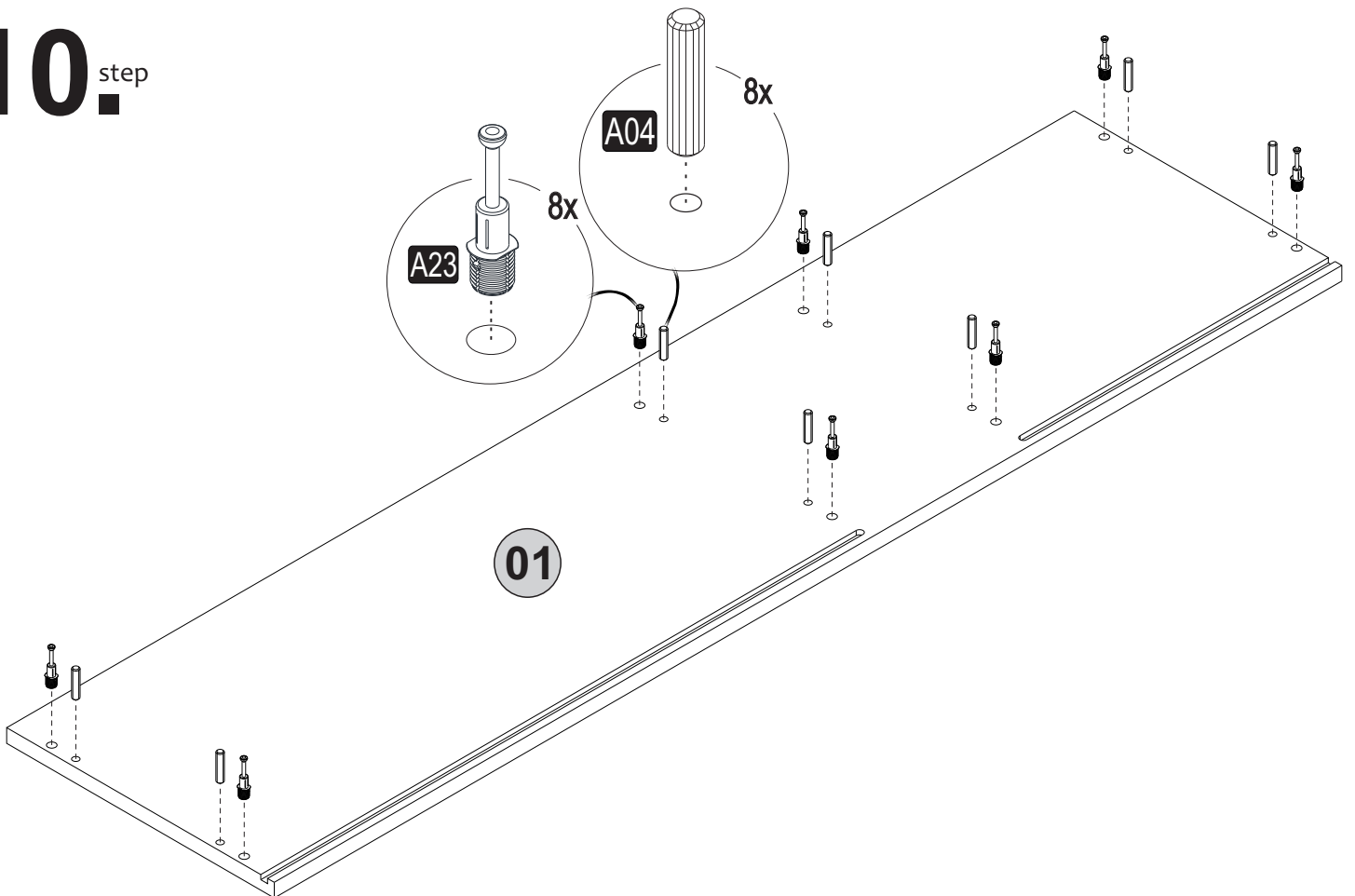
8. step



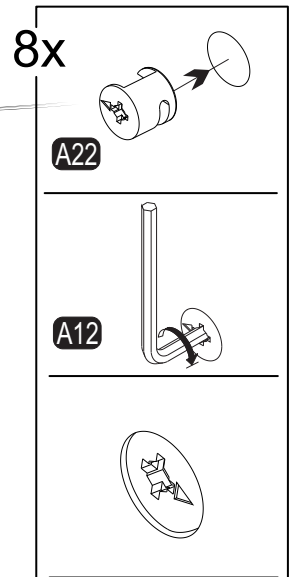
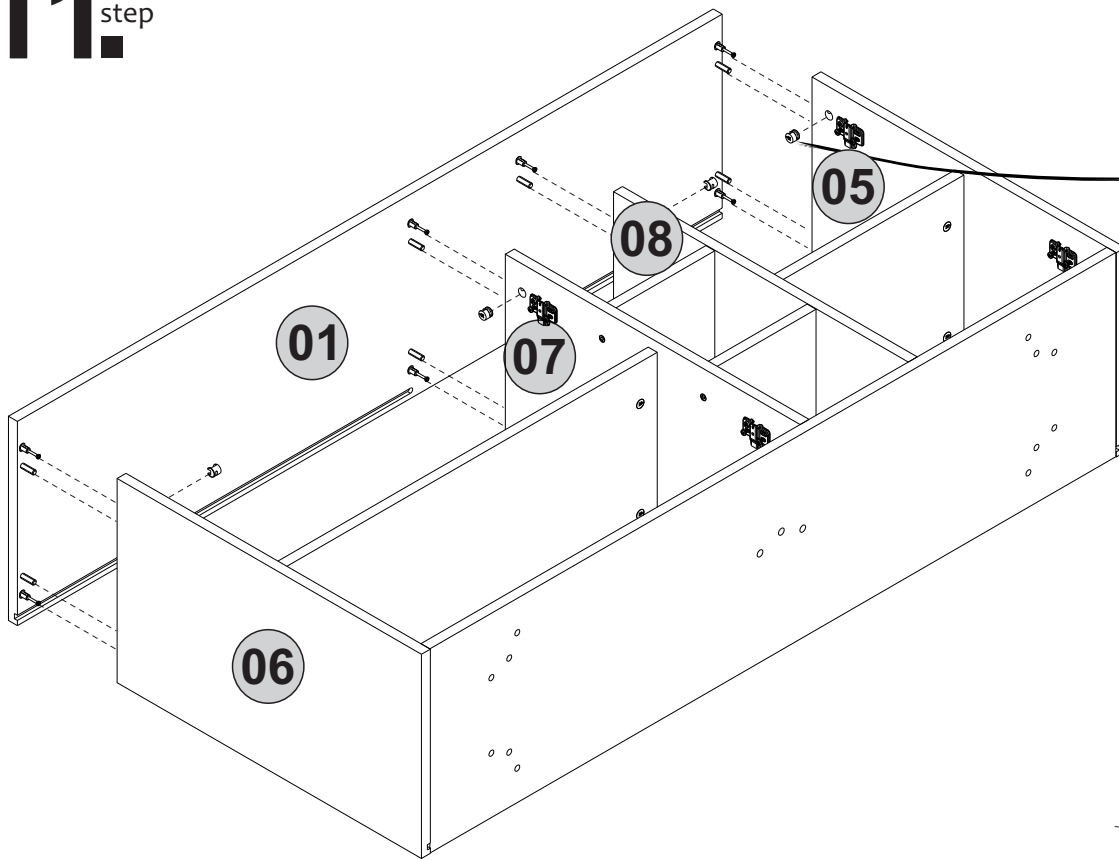
9^{step}



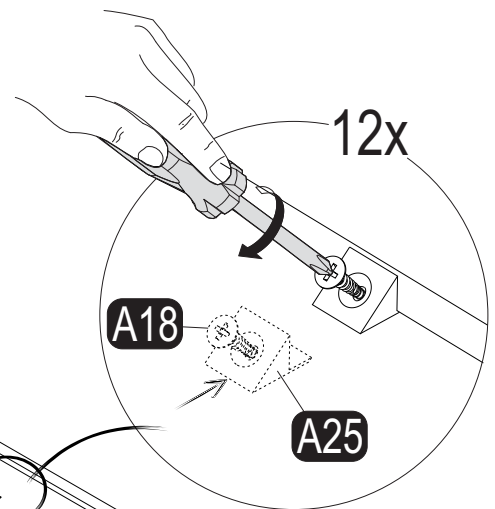
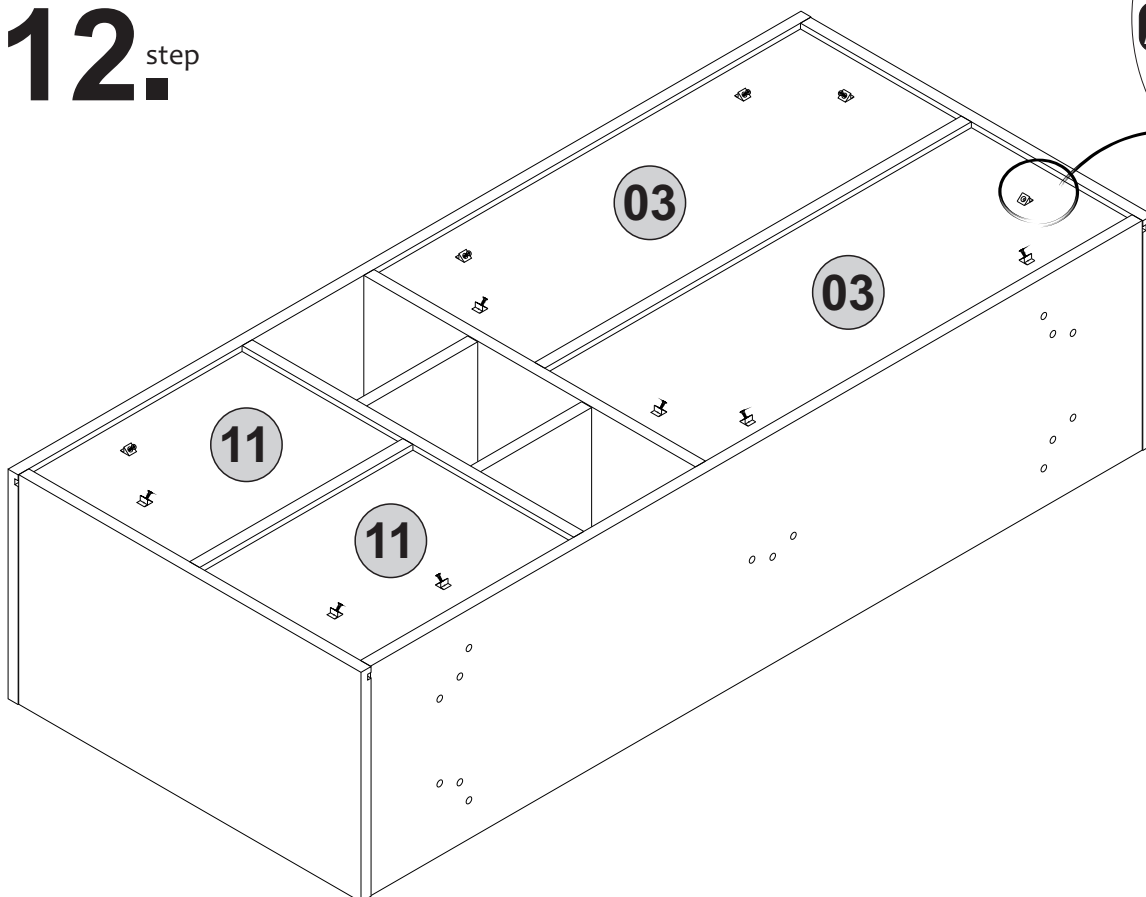
10^{step}



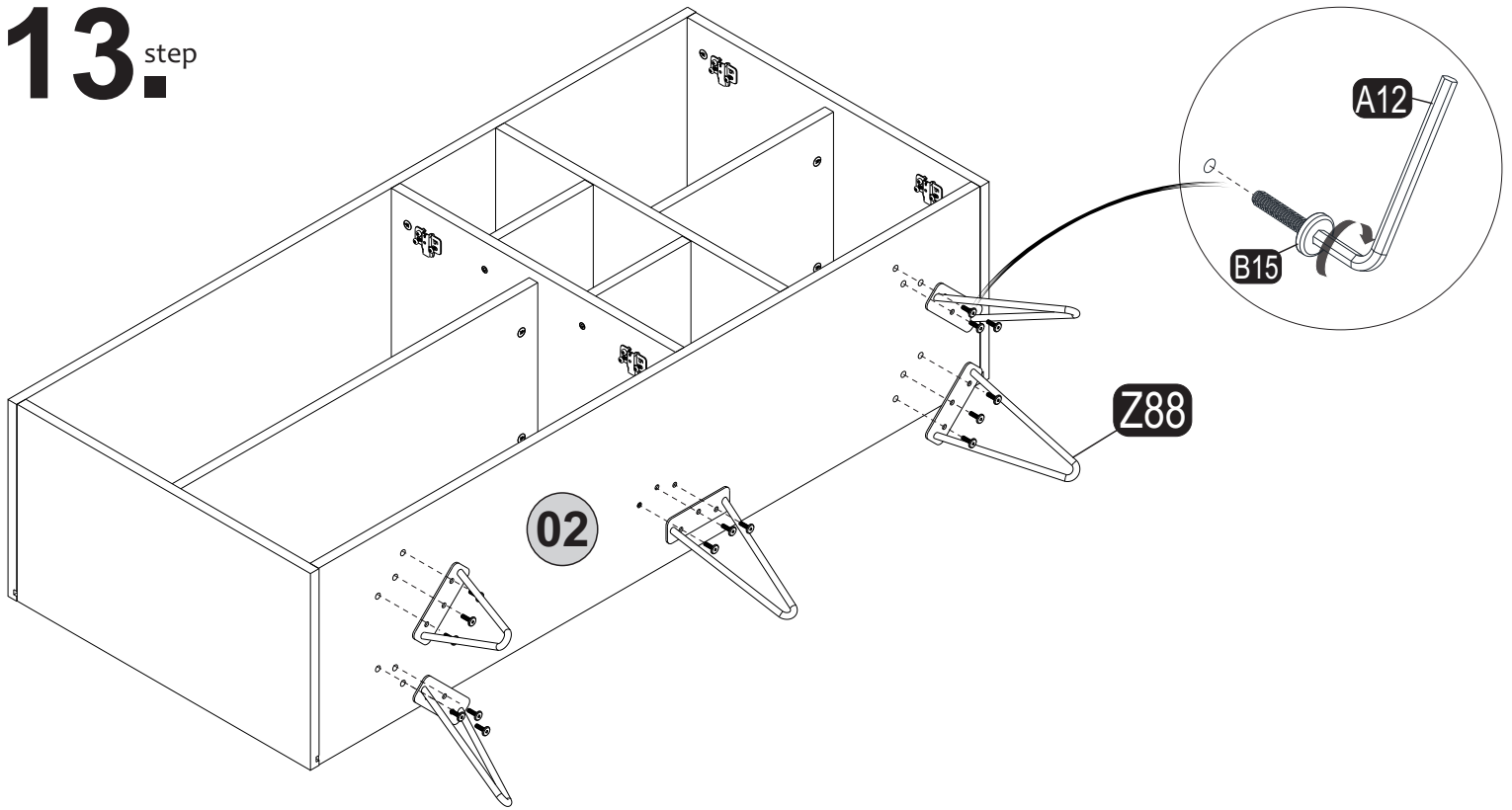
11. step



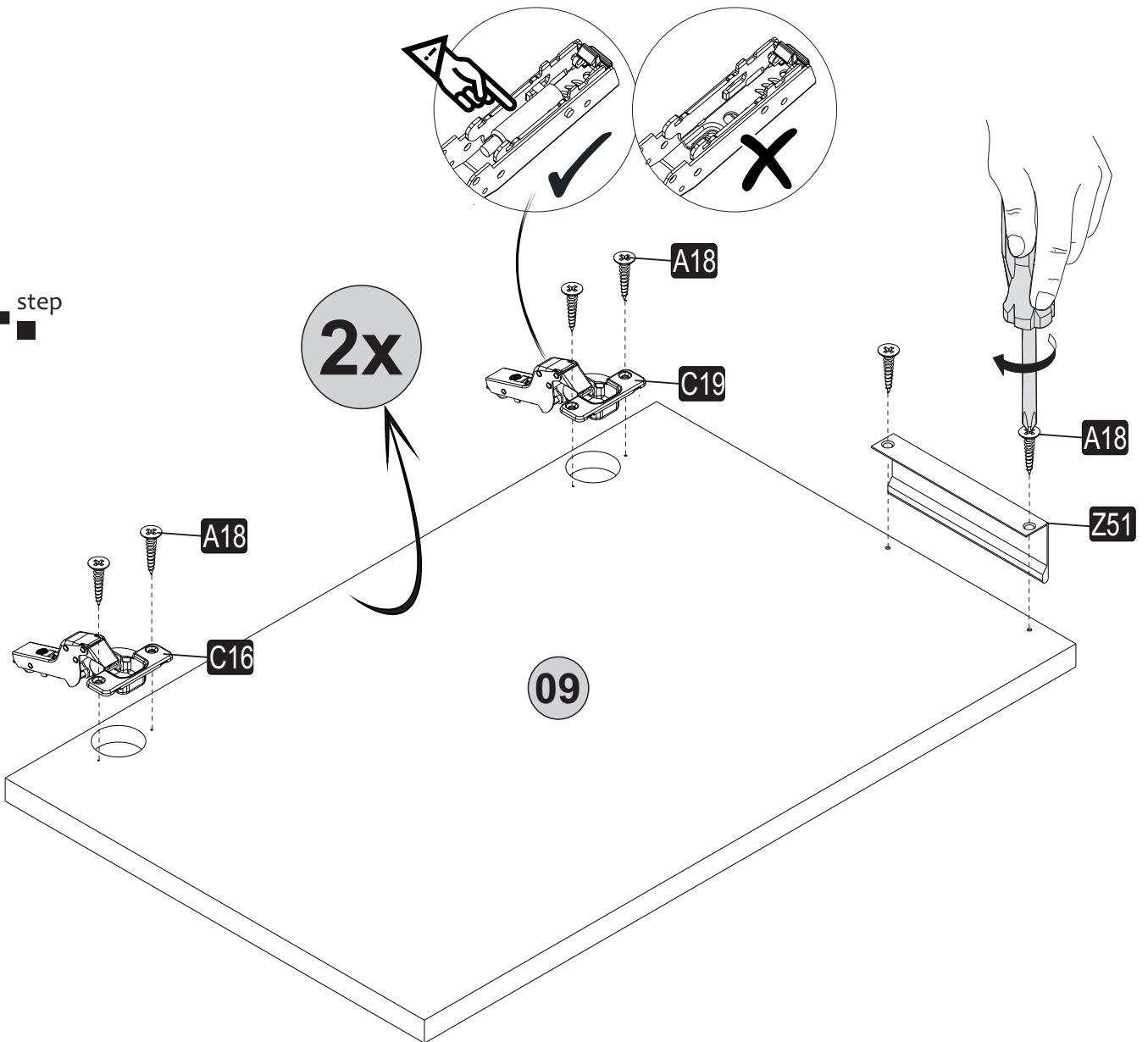
12. step



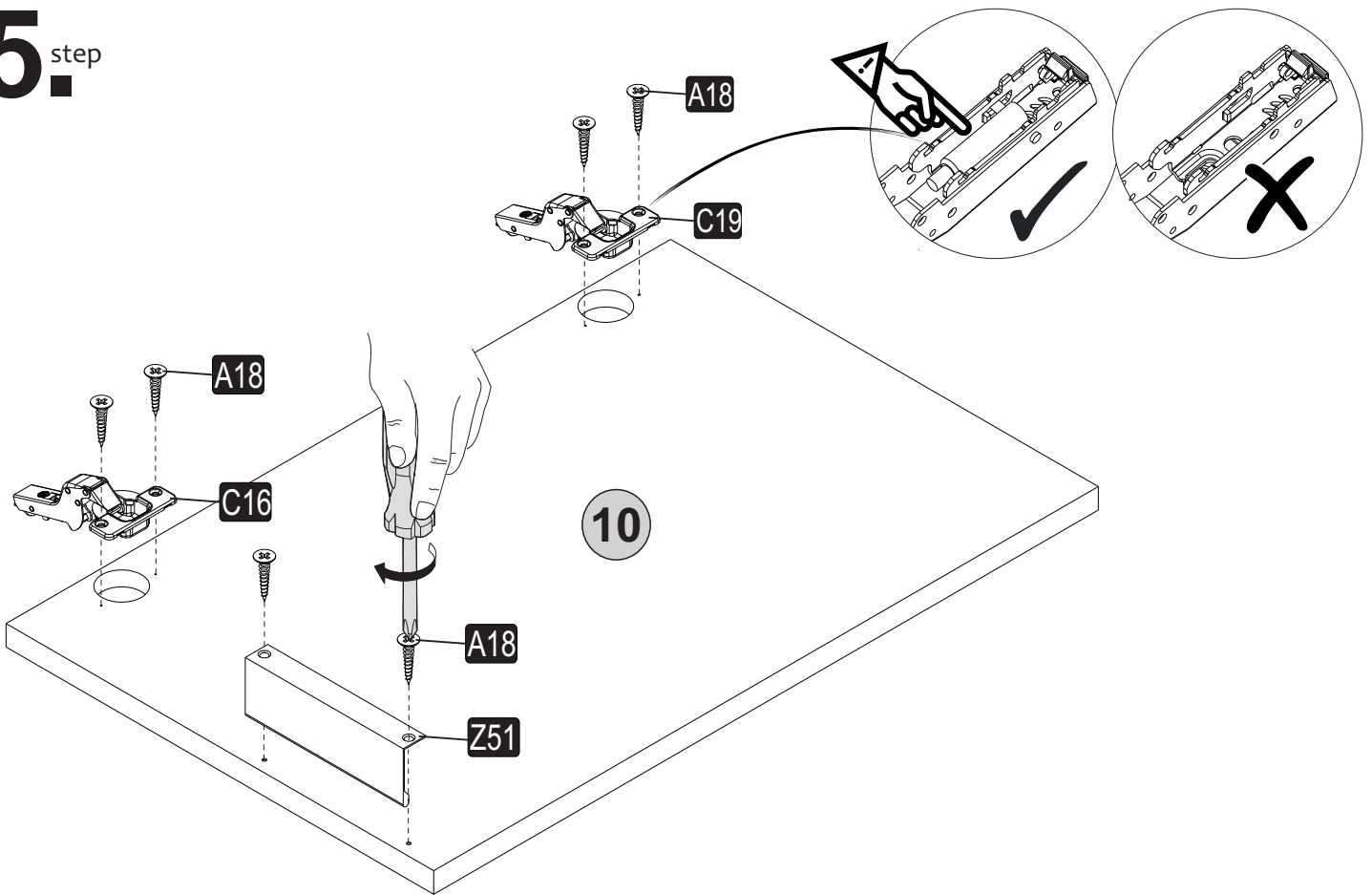
13.^{step}



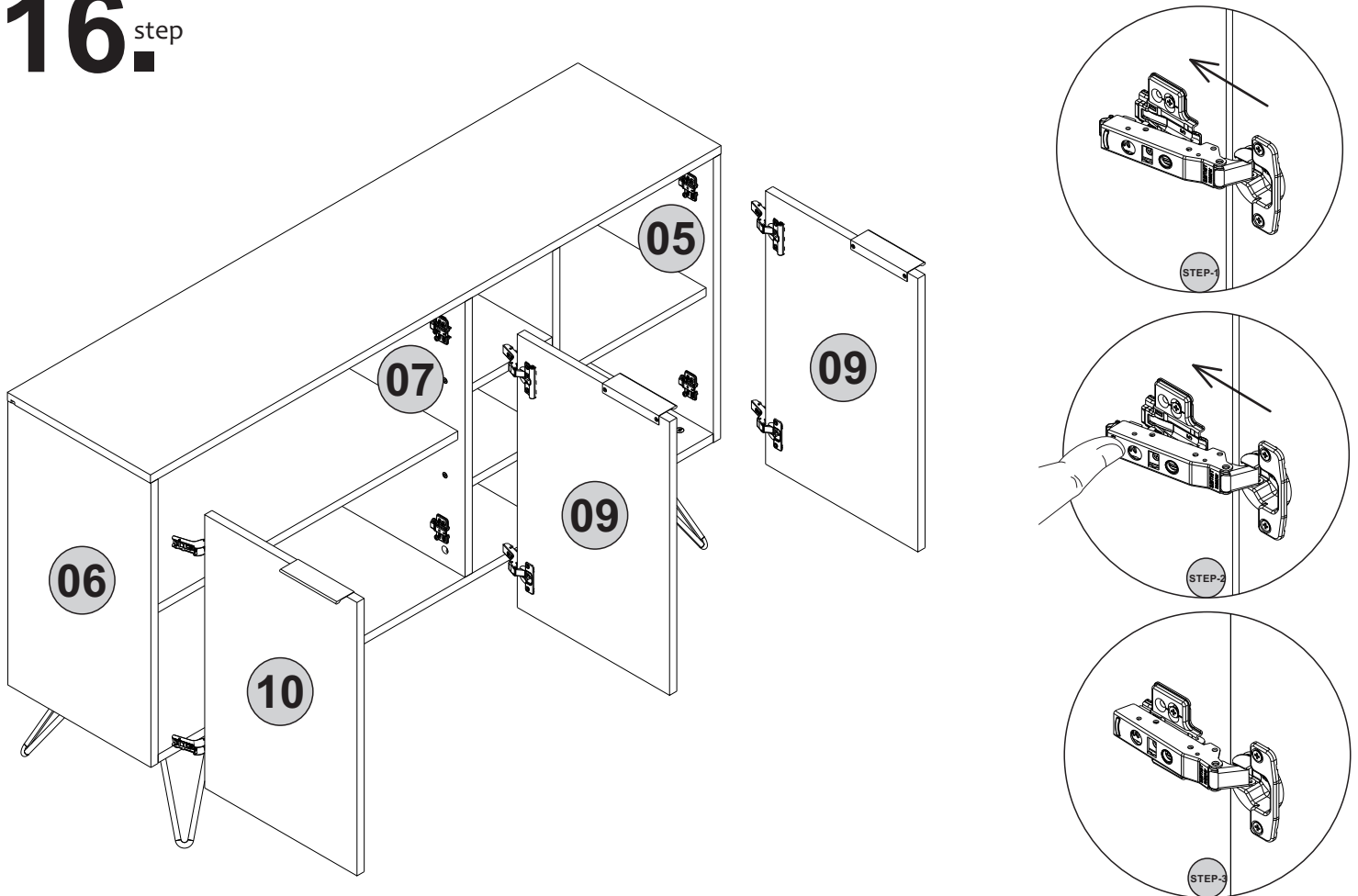
14.^{step}



15^{step}



16^{step}



17. step

