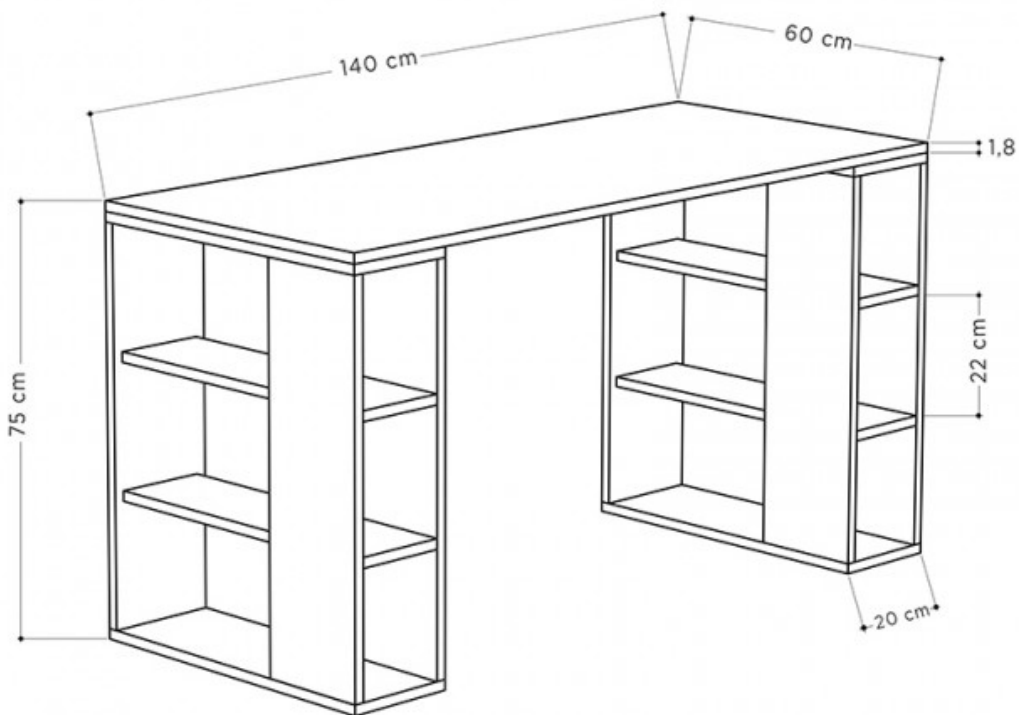
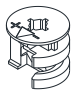

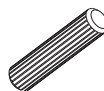
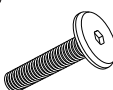
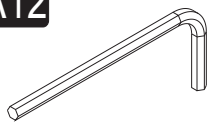
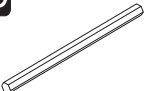
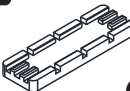


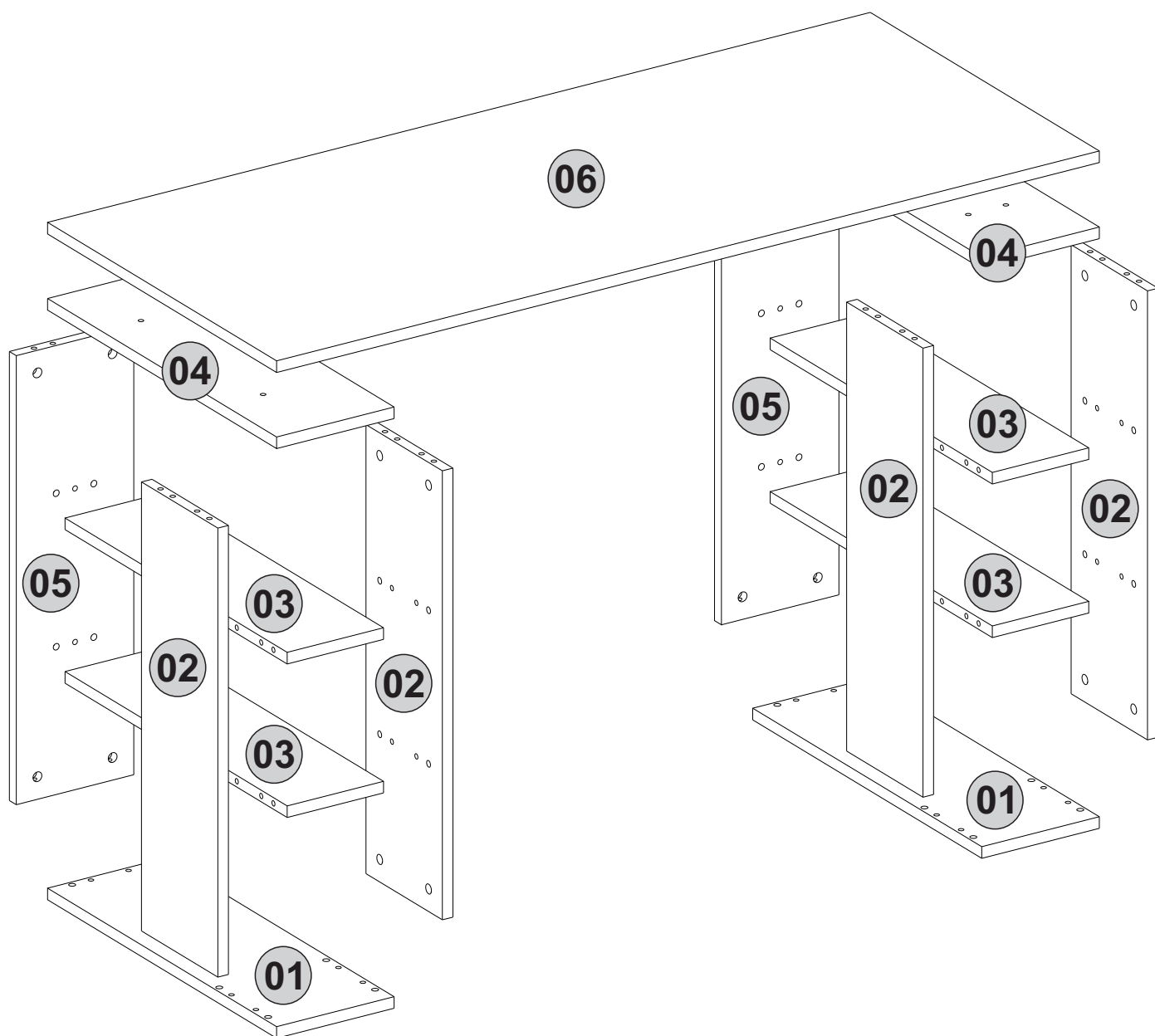




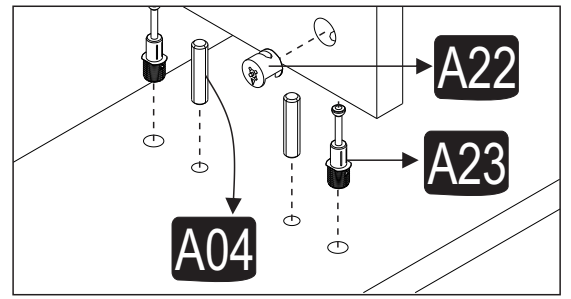
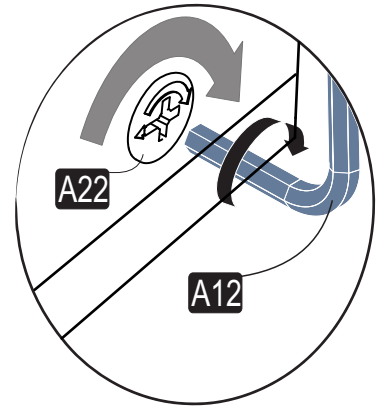
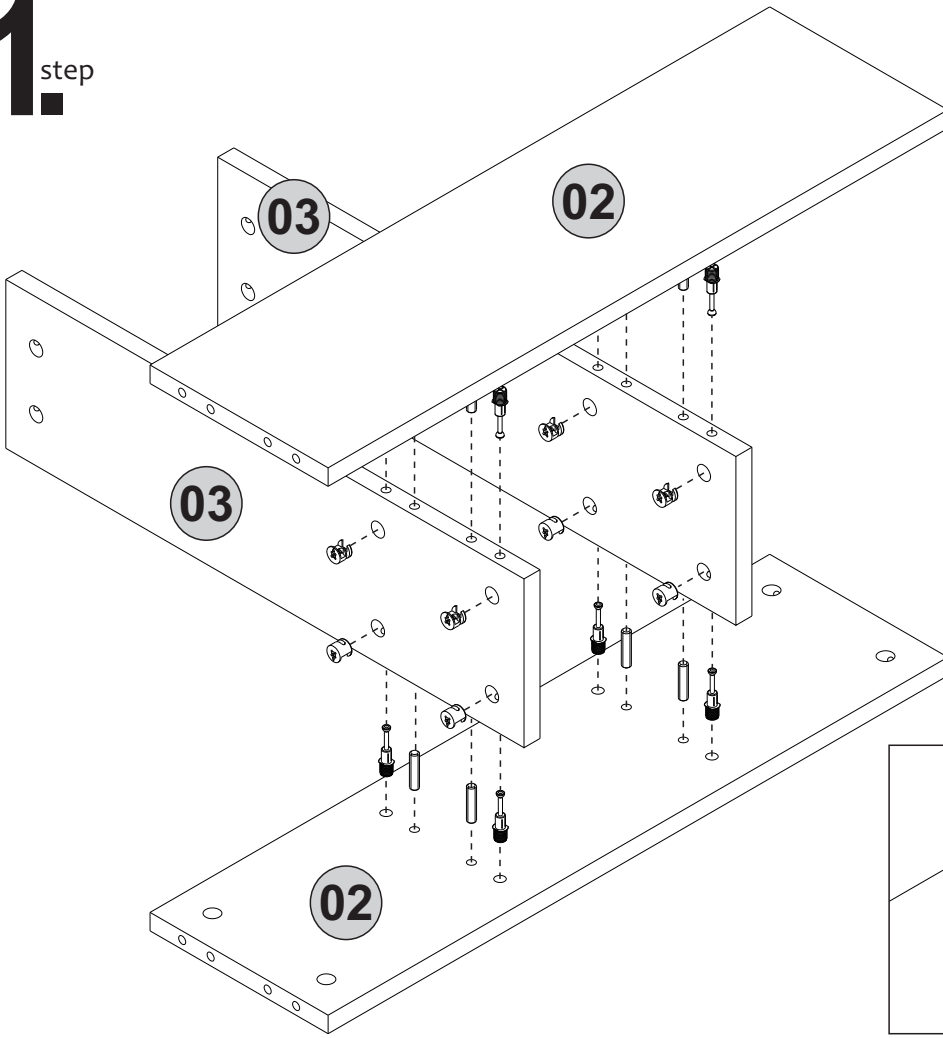
**GP037-0005,6**



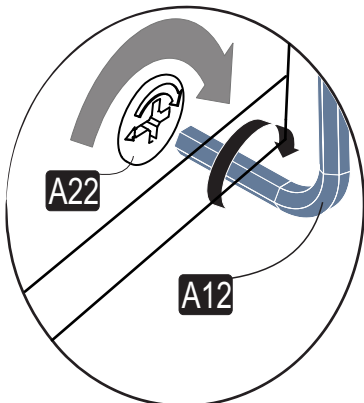
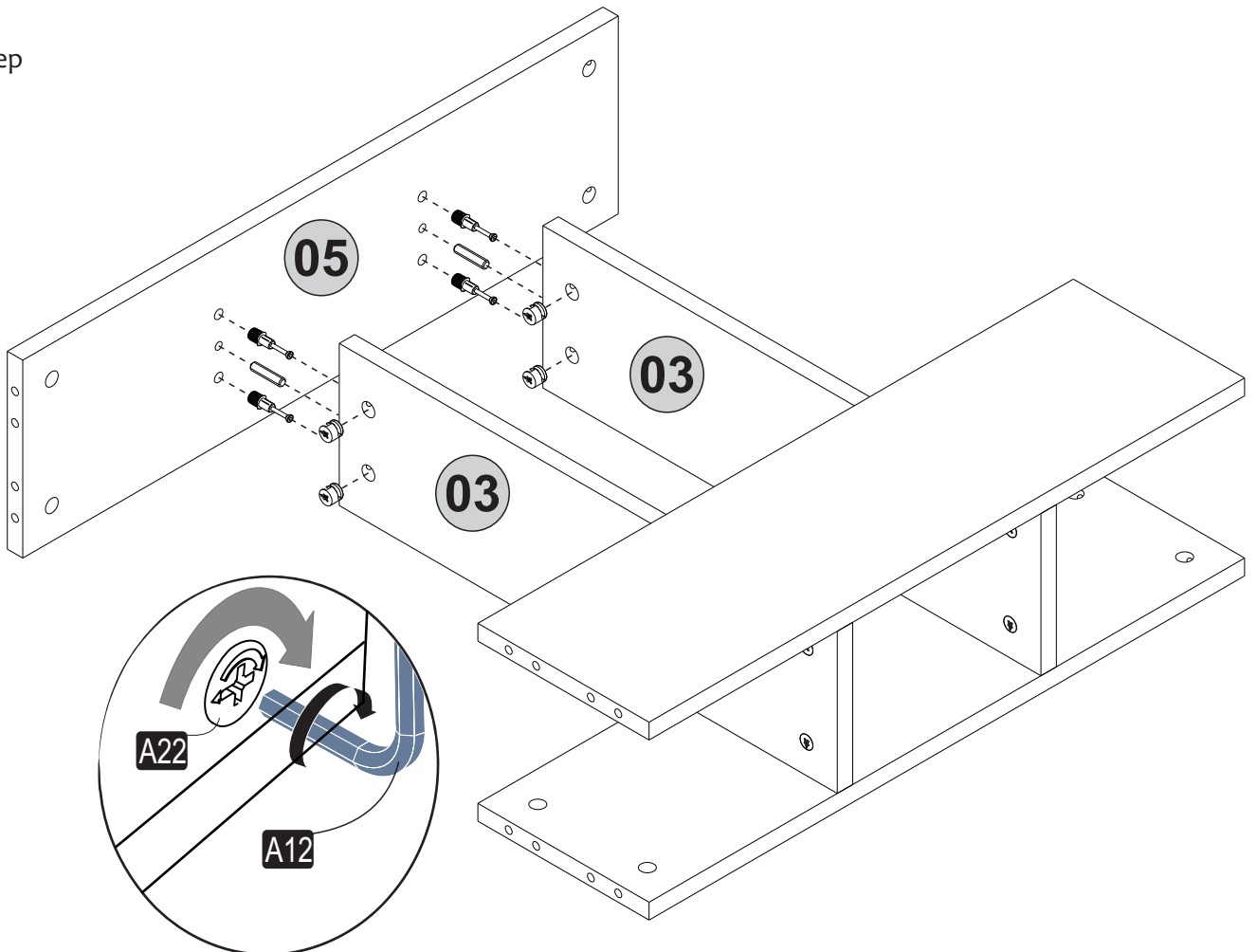
<b>A22</b> Minifix k18  48x	<b>A23</b> Minifix M10  48x	<b>A04</b>  Ø8 44x	<b>B03</b> 25 mm  8x	<b>A12</b> 4 SW  1x
<b>A26</b> Allen  1x	<b>A08</b> 5 mm  C2-6x	<b>A06</b> 18 mm  C2-56x	<b>A69</b> P.D.  8x	



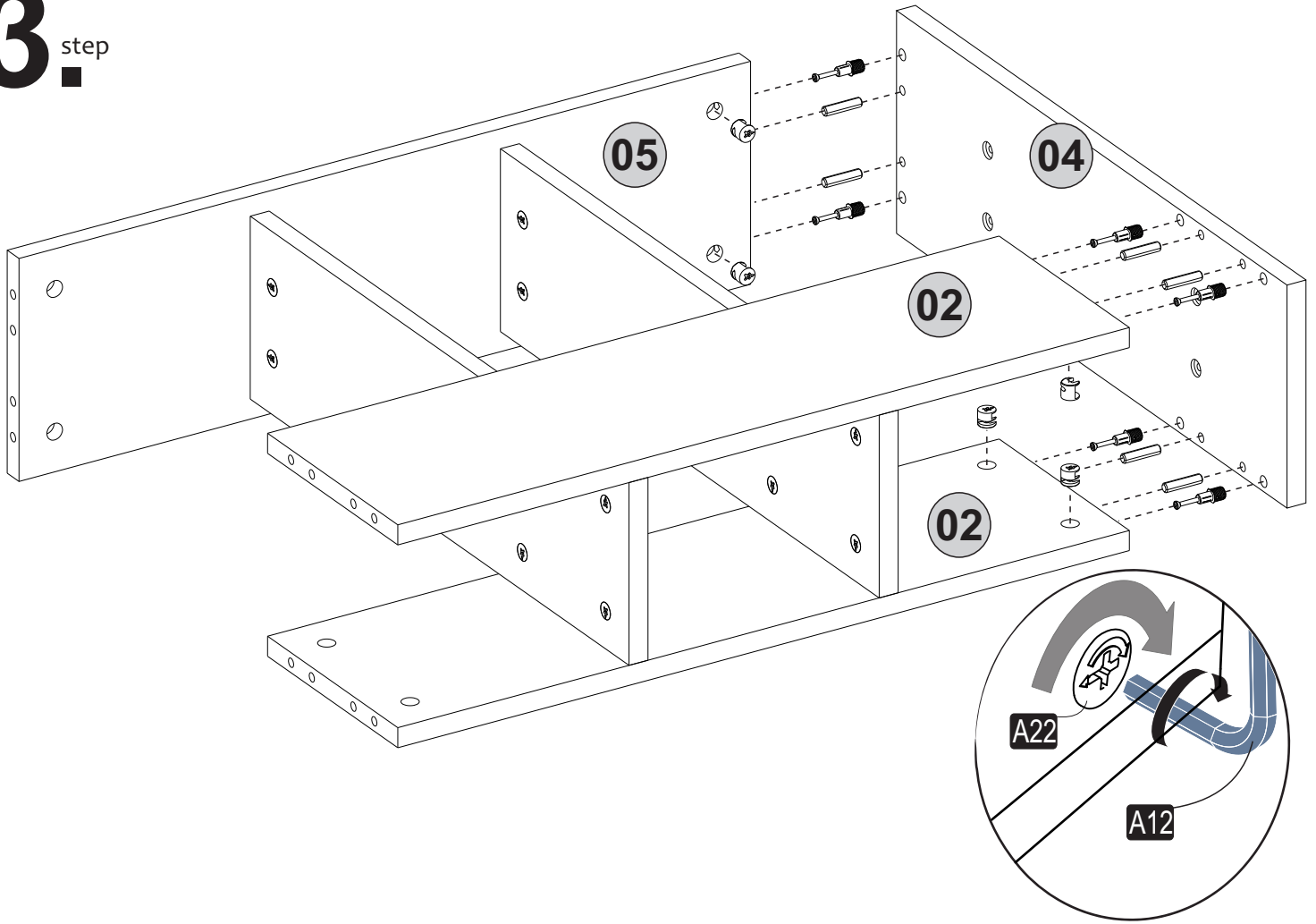
# 1. step



# 2. step

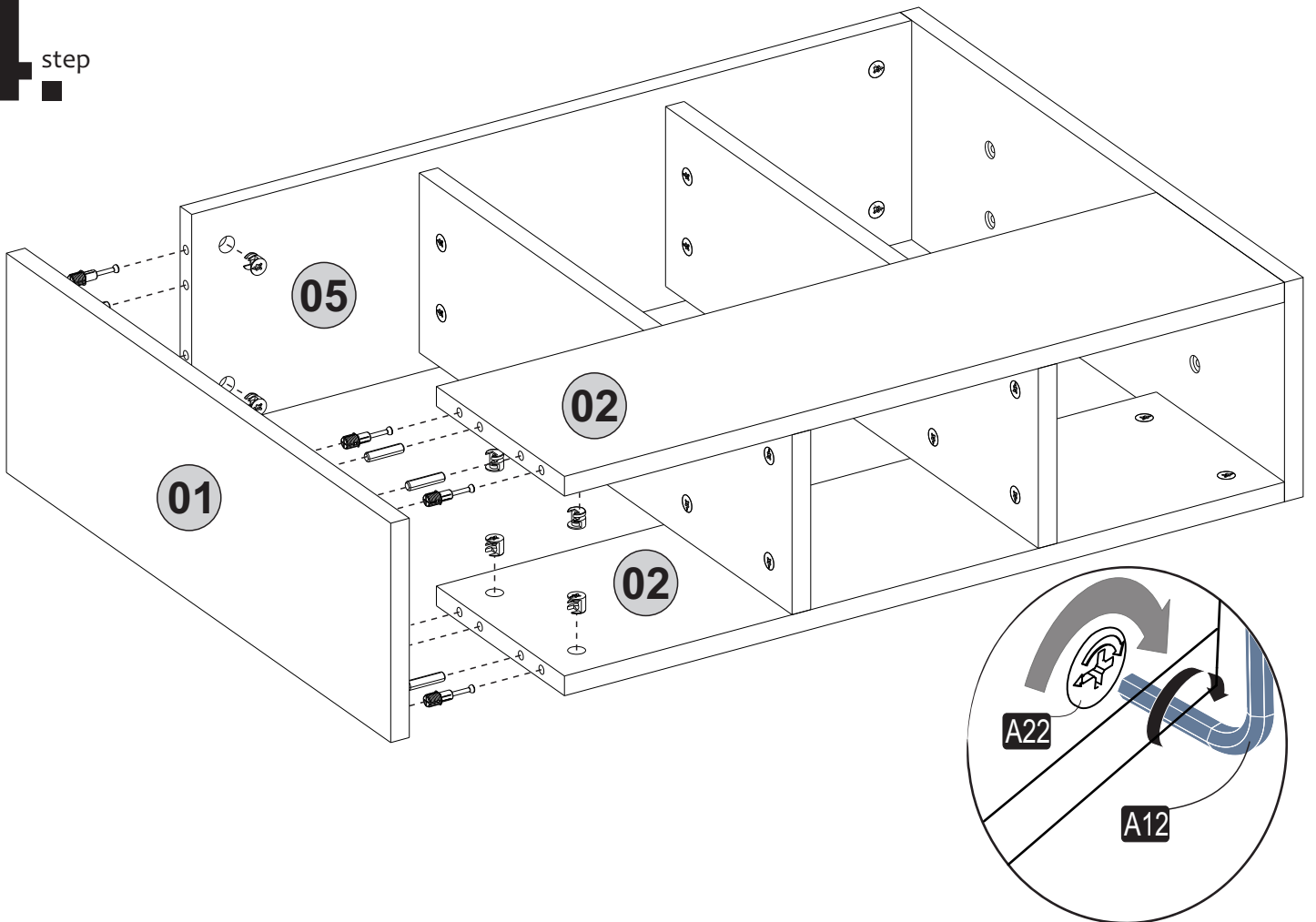


# 3<sub>step</sub>

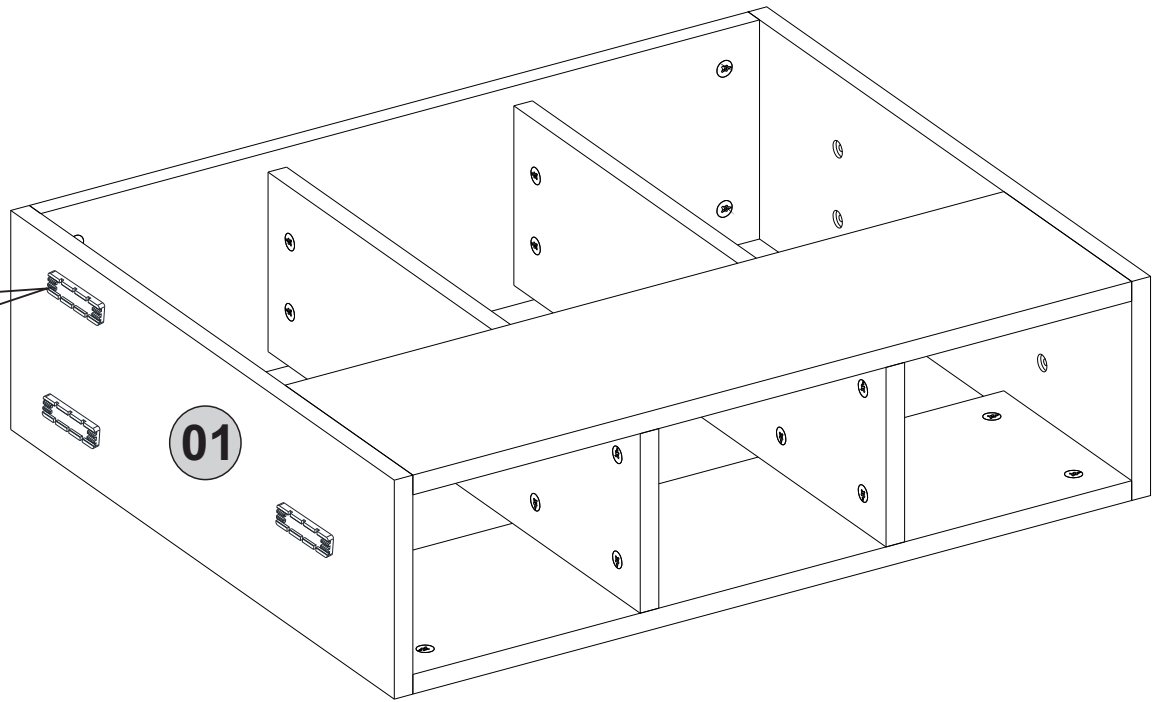
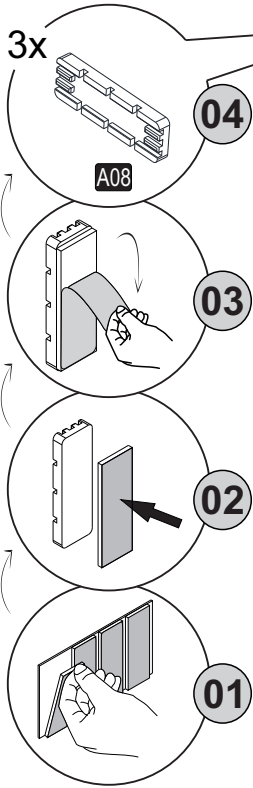


---

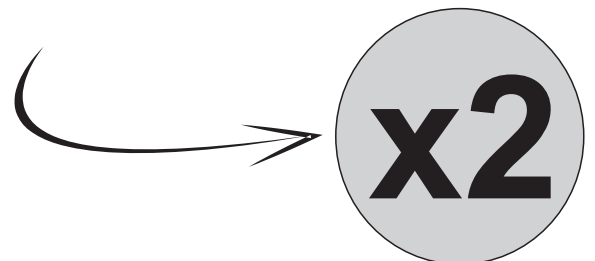
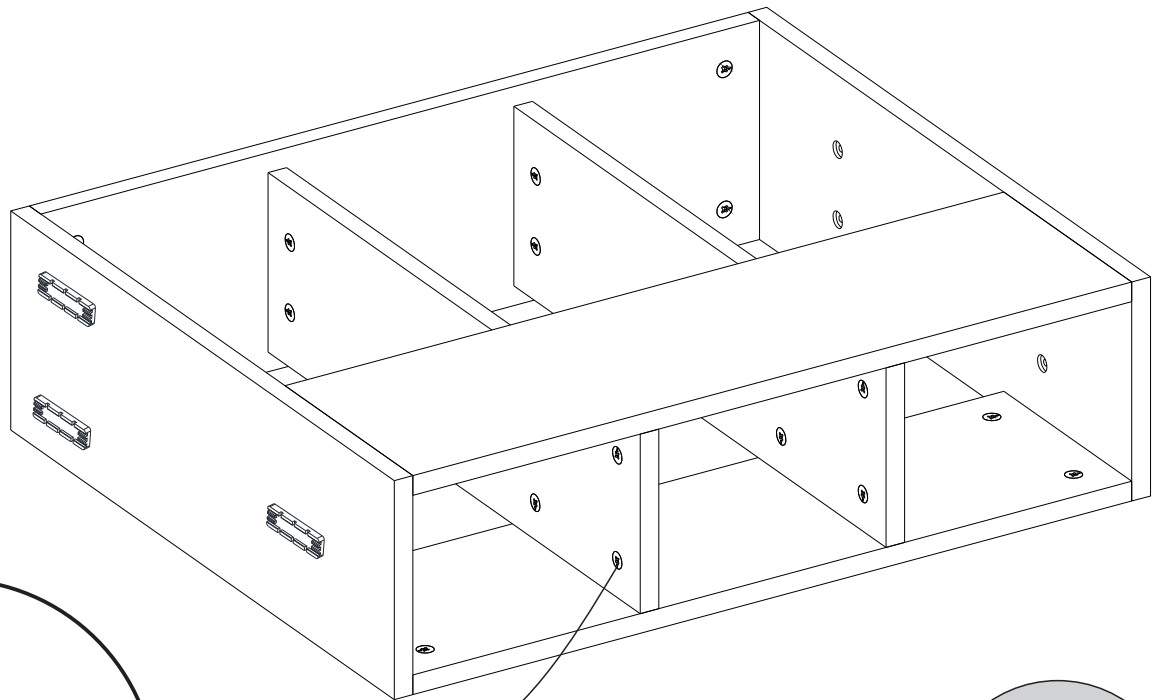
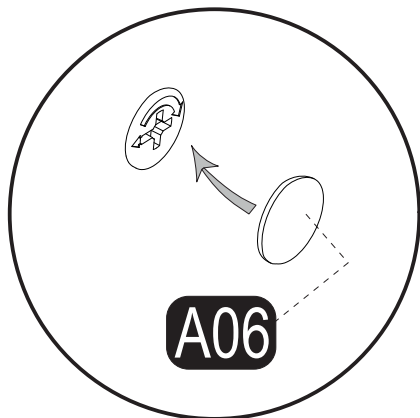
# 4<sub>step</sub>



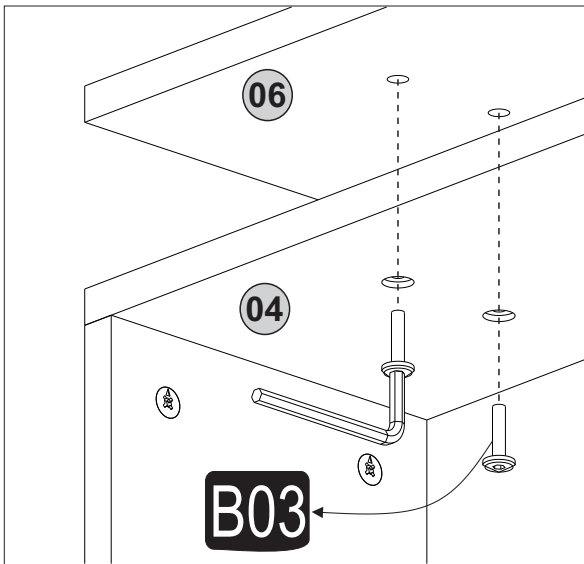
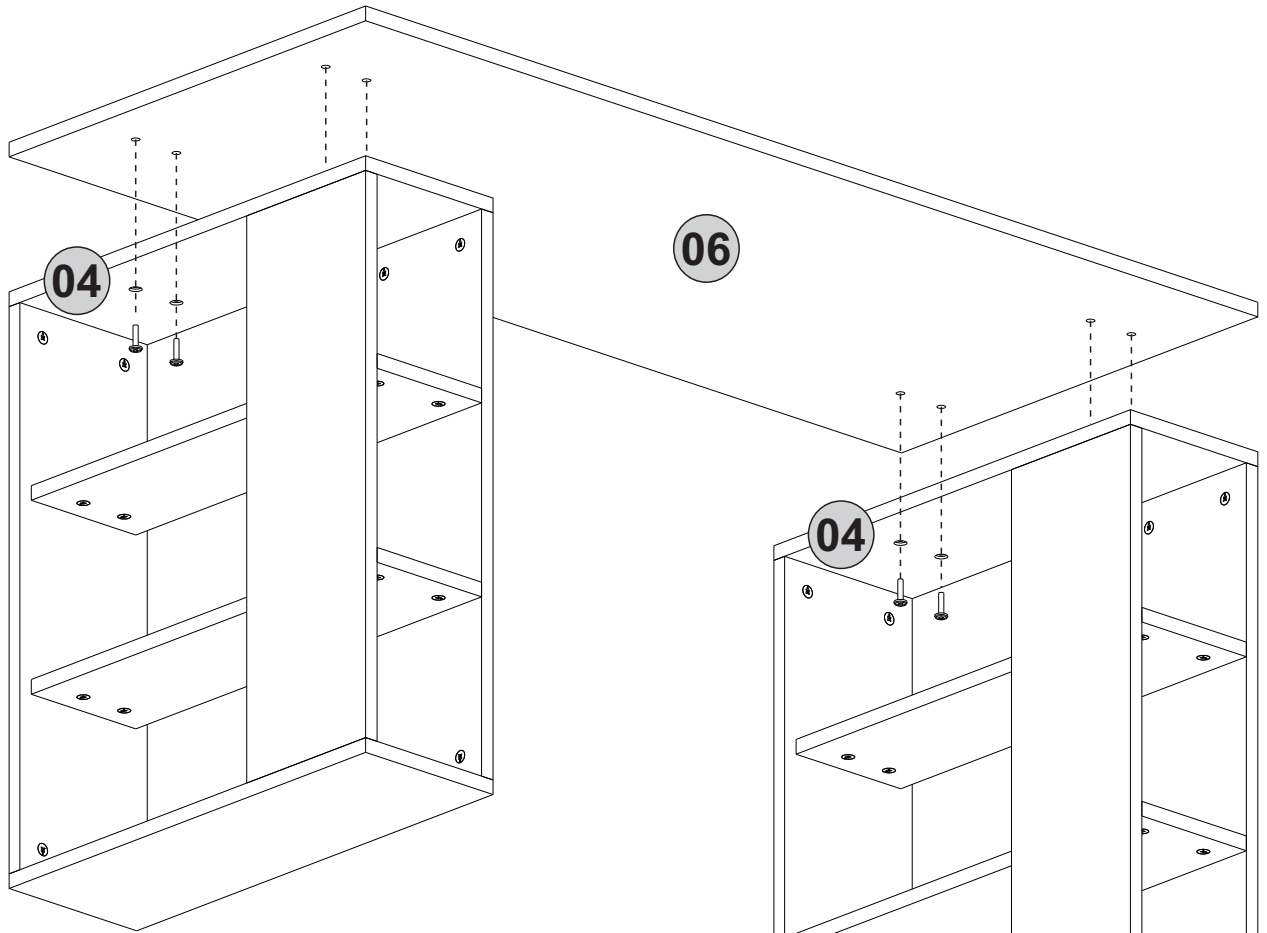
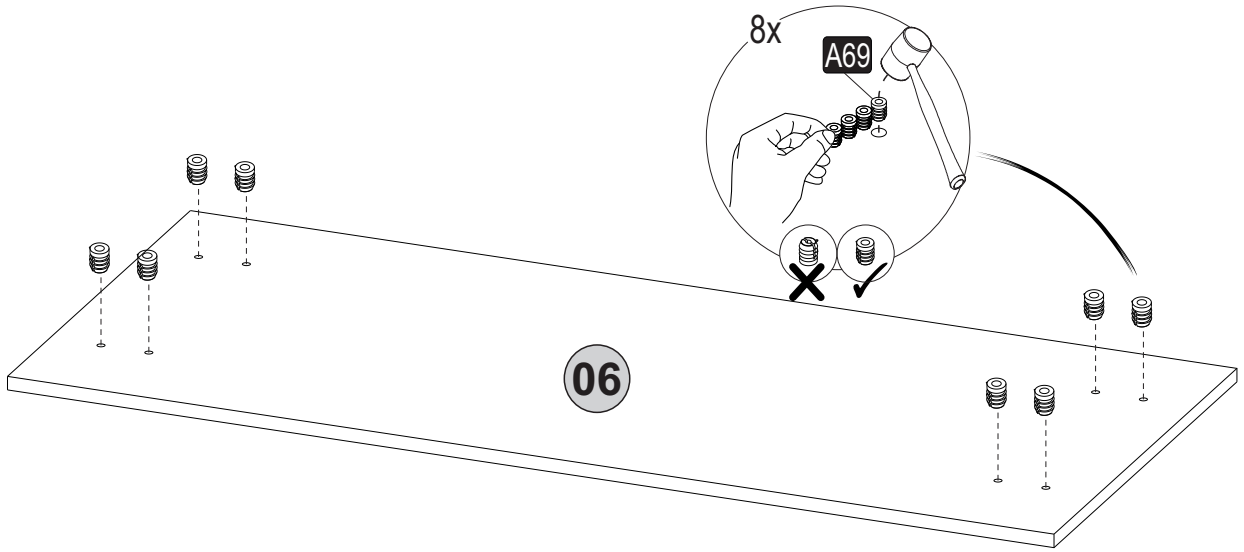
# 5<sup>step</sup>



# 6<sup>step</sup>



# 7<sup>step</sup>



# 8 step

