
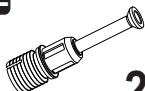


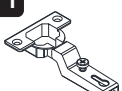


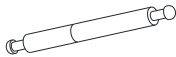


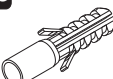

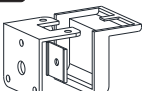
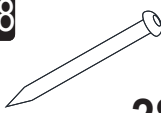
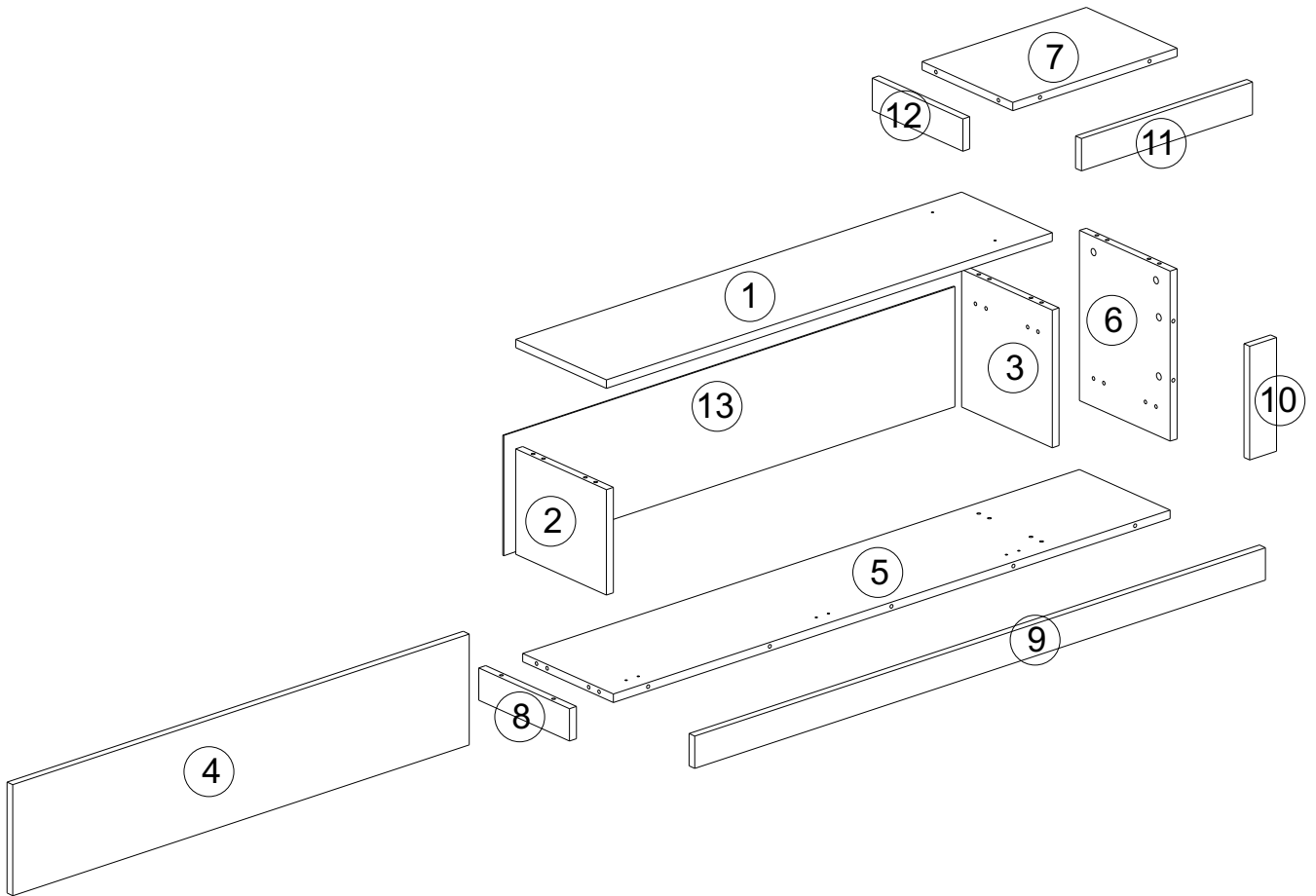


i GP042-0187,4

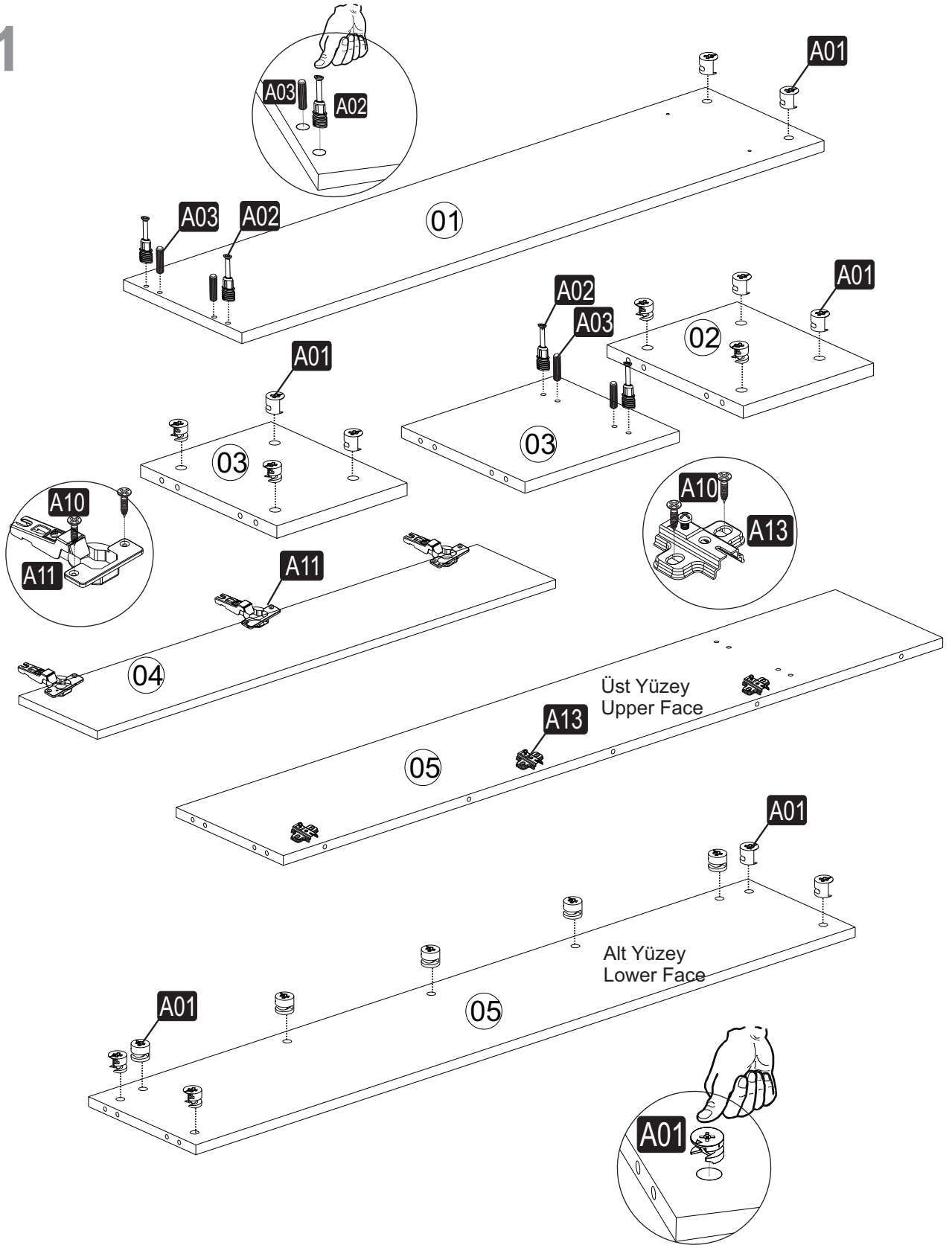


150 x 29,6 x 38,6cm

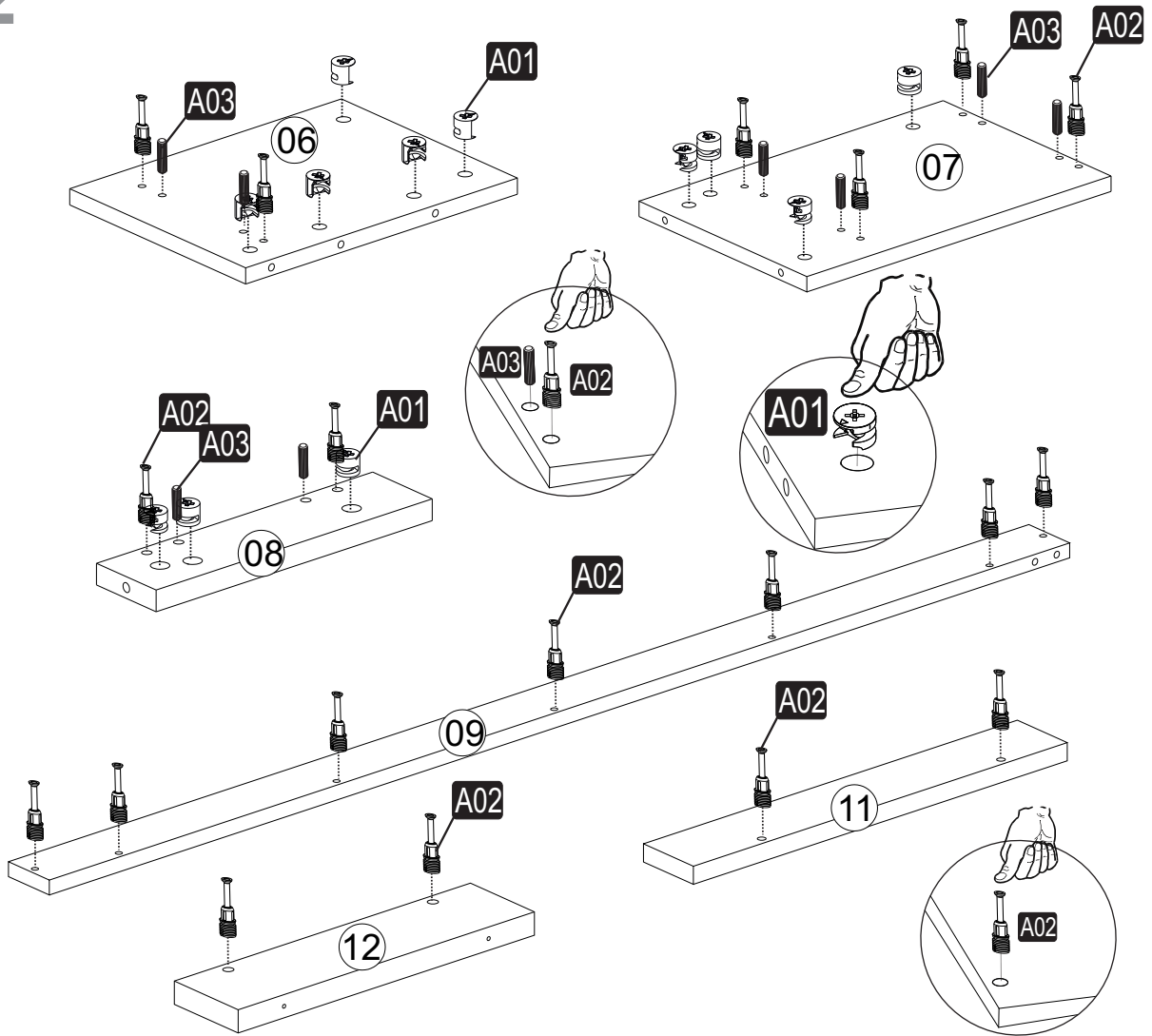
A01  31x	A02  27x	A03  18x	A13 MA  3x	A11 SPM  3x
A10 3,5x18 YHB  24x	A09 4x50 YHB  2x	A44  2x	A04  A 10x D 21x	A16  A 2x
D69 Ø8 Lik RKT  6x	D41 5x70 YHB  6x	A41  6x	A28  28x	



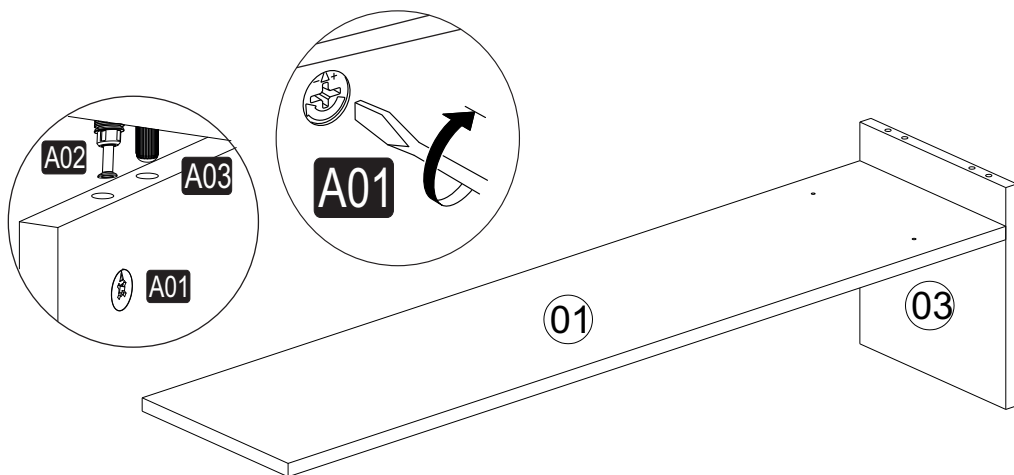
1



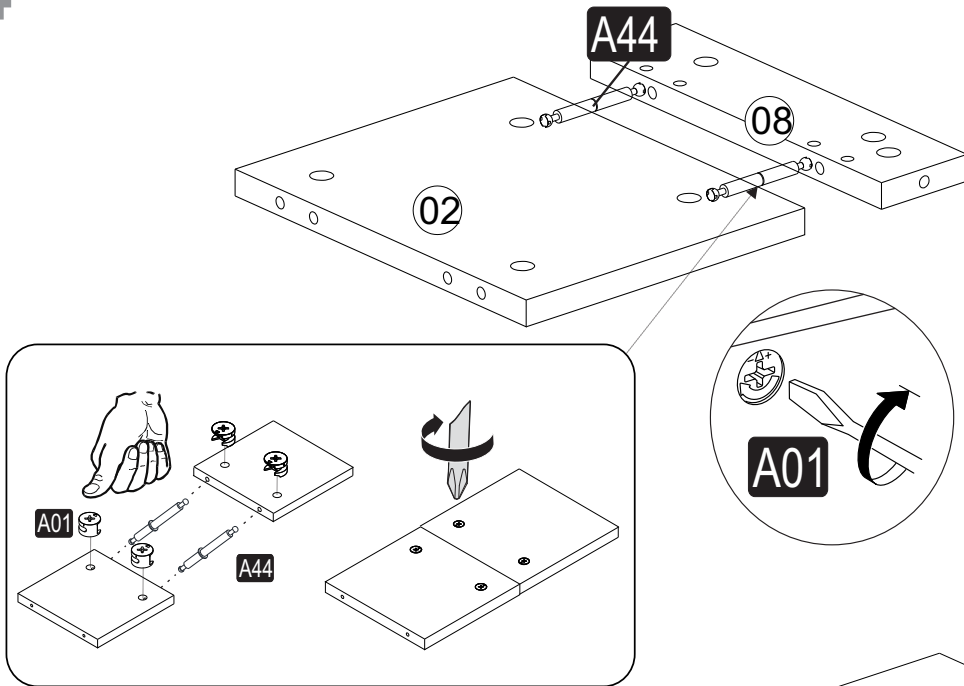
2



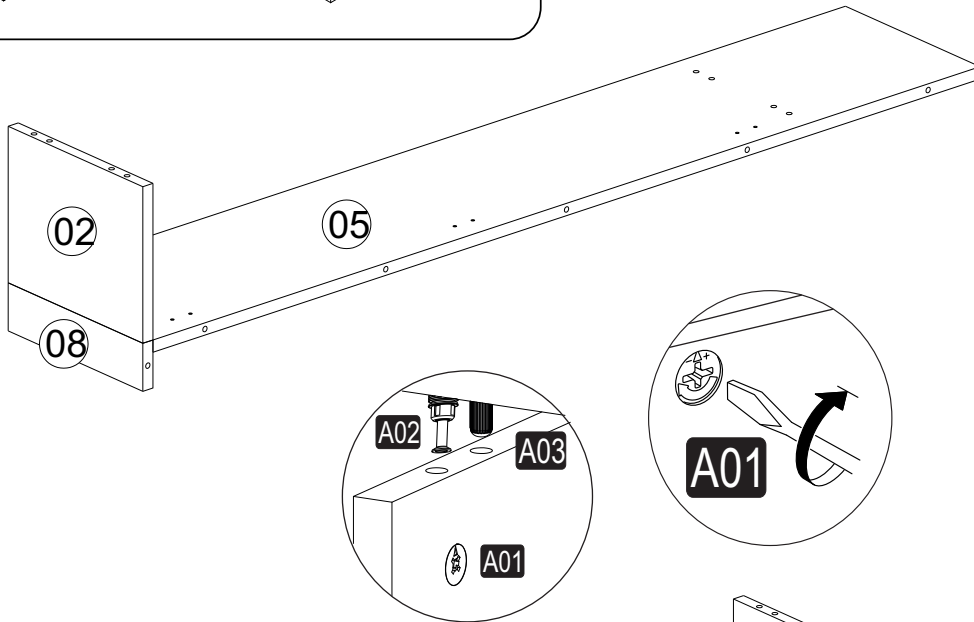
3



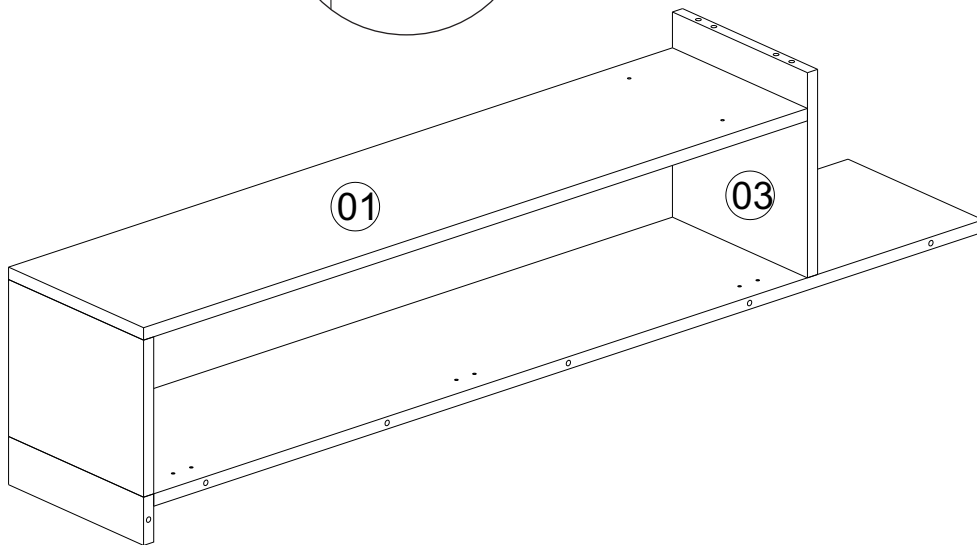
4



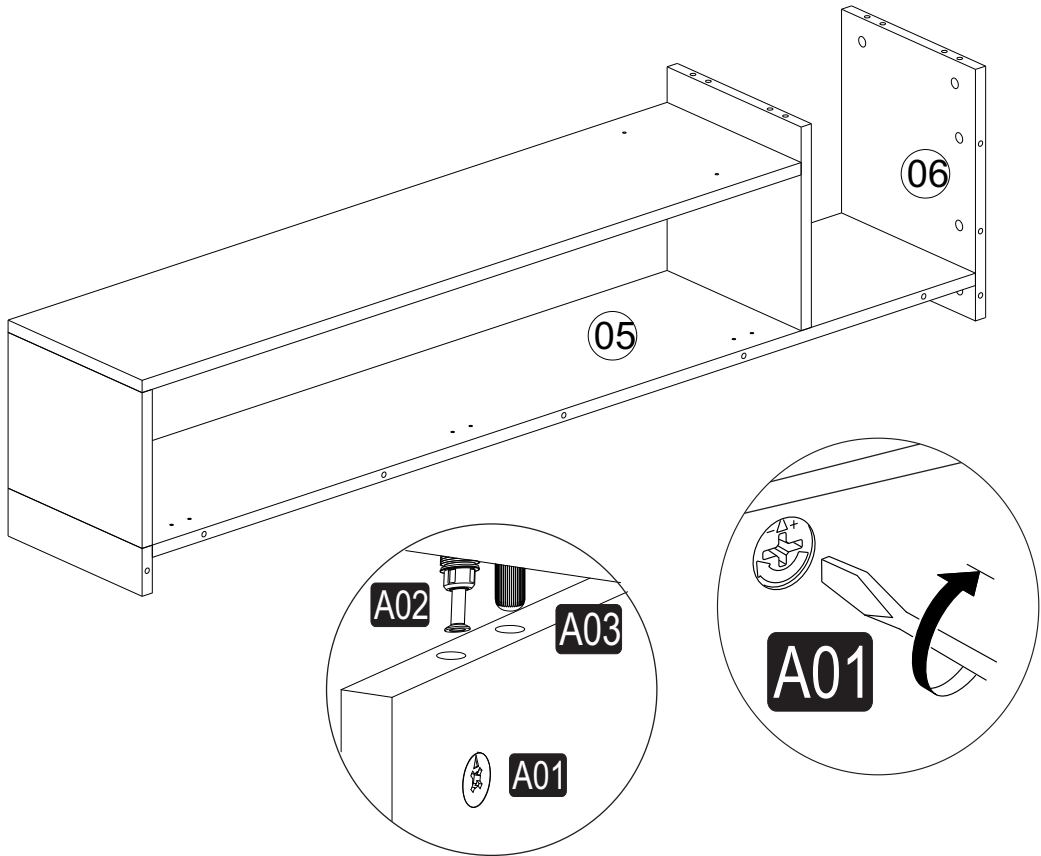
5



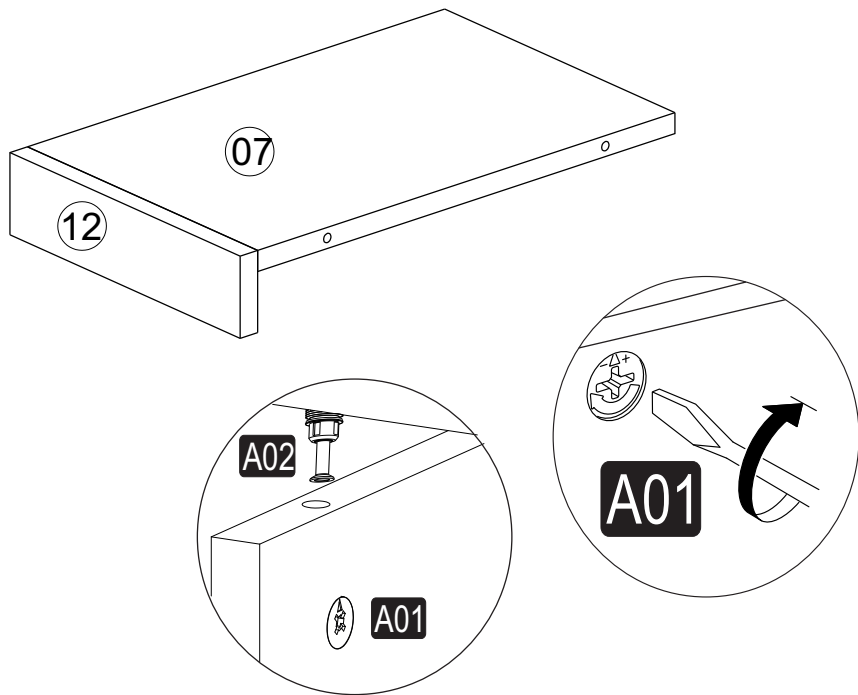
6



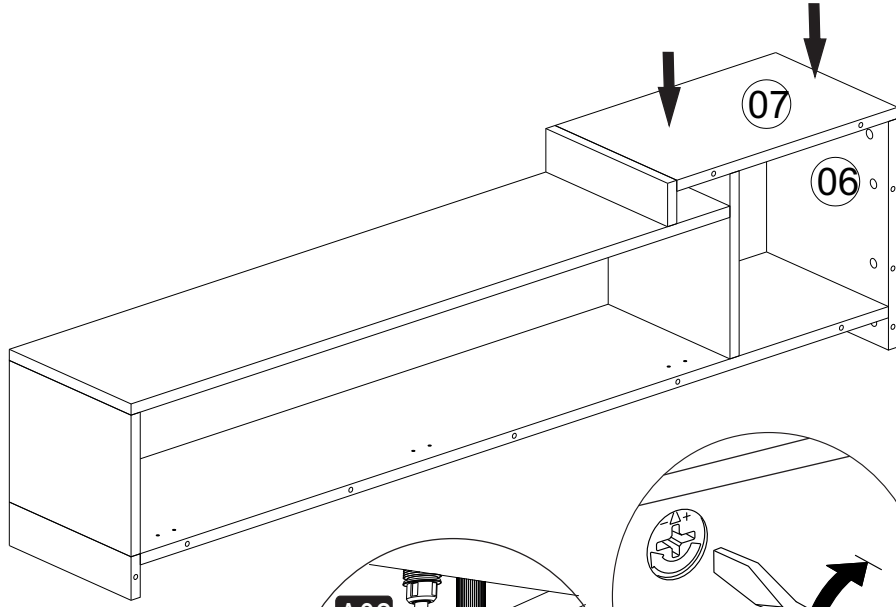
7



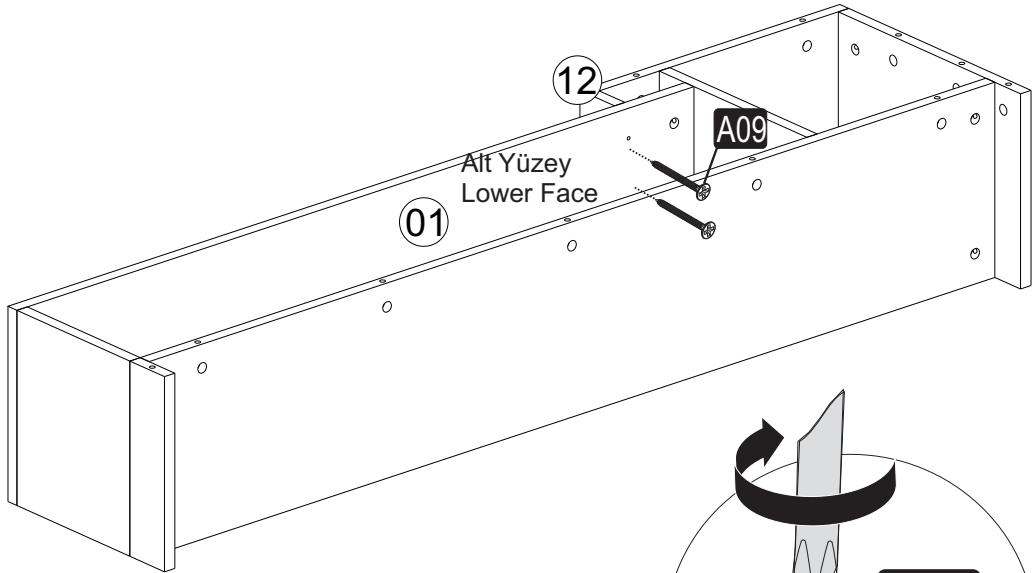
8



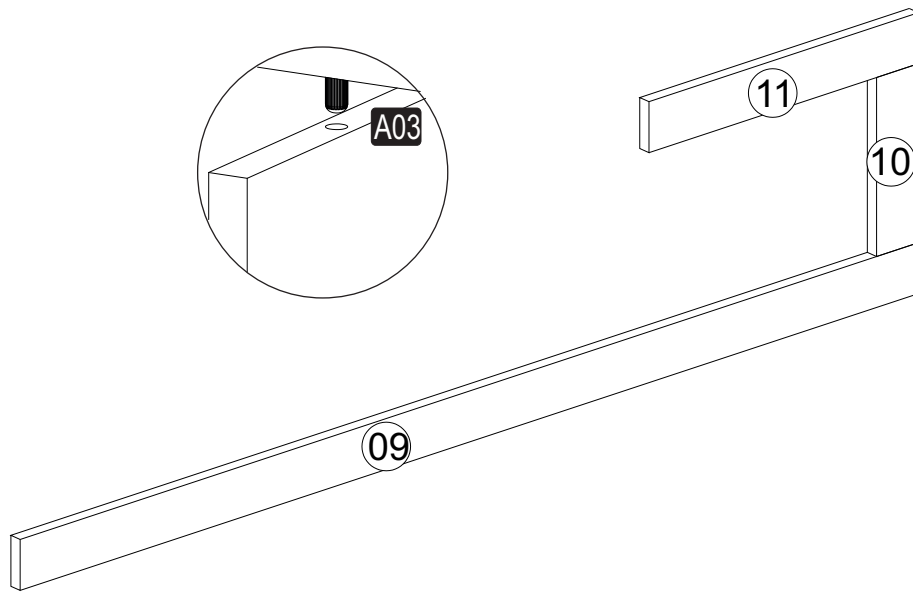
9



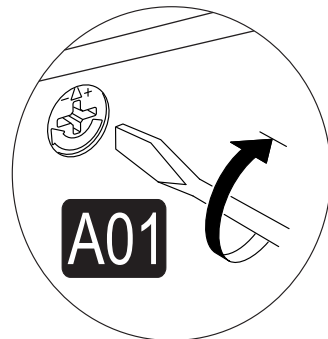
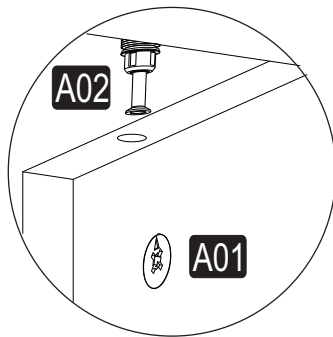
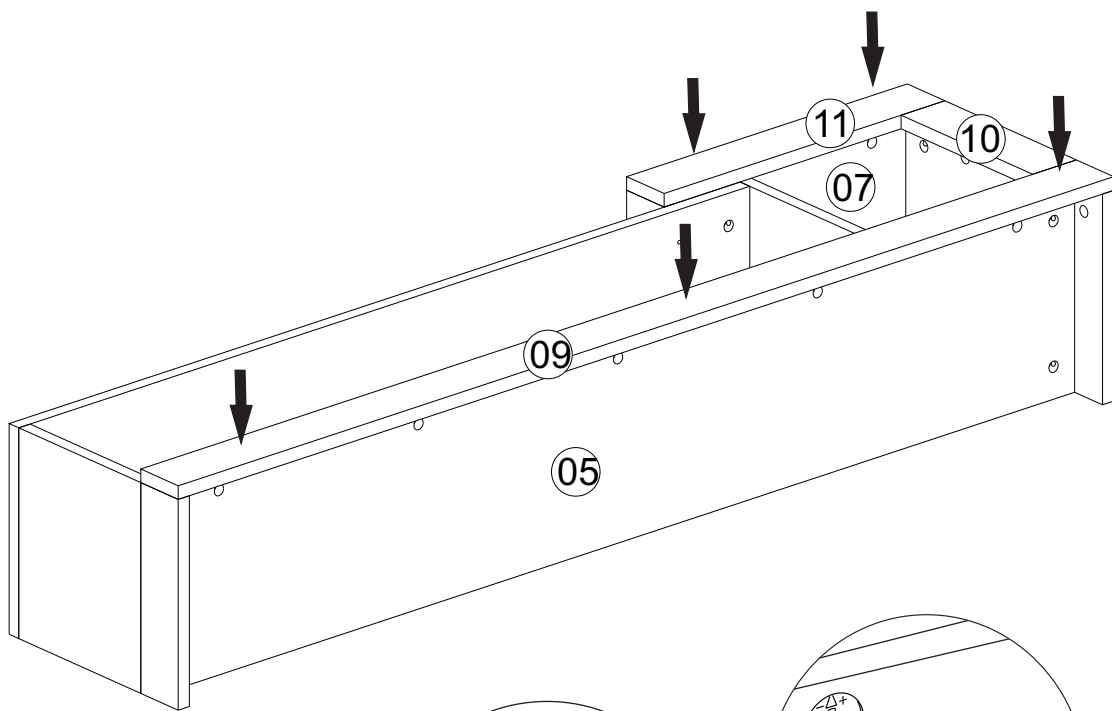
10



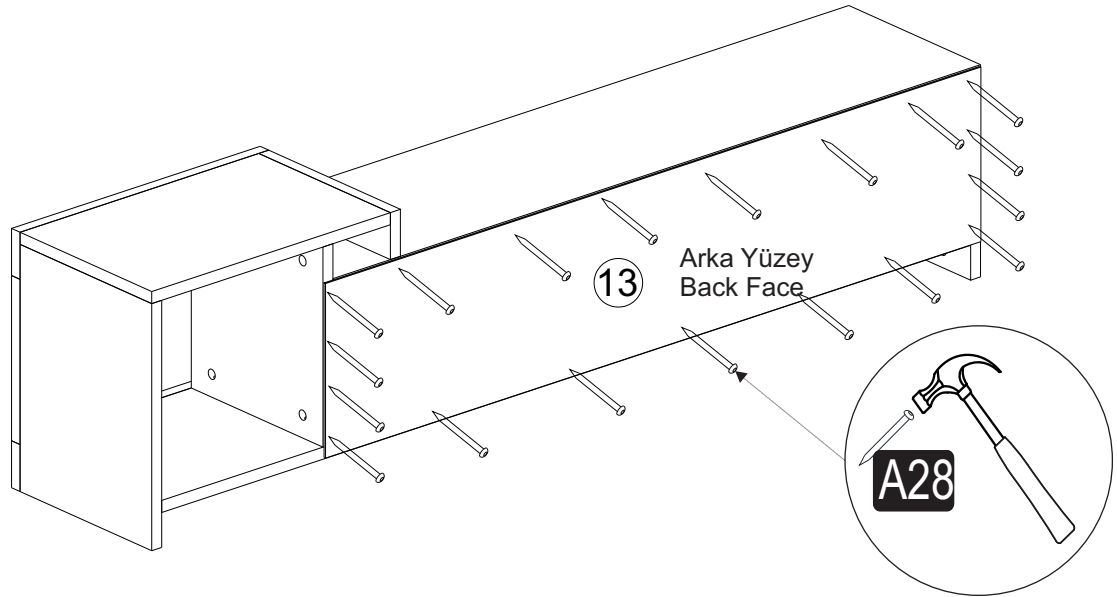
11



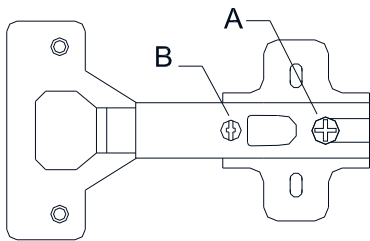
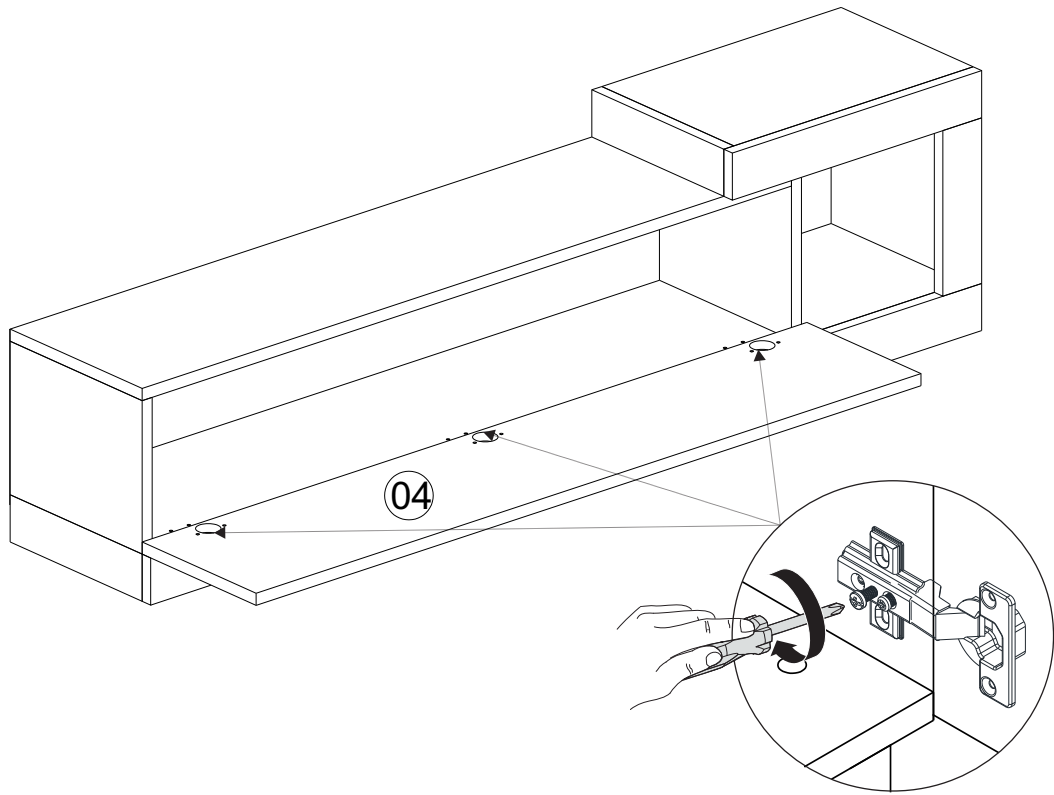
12



13

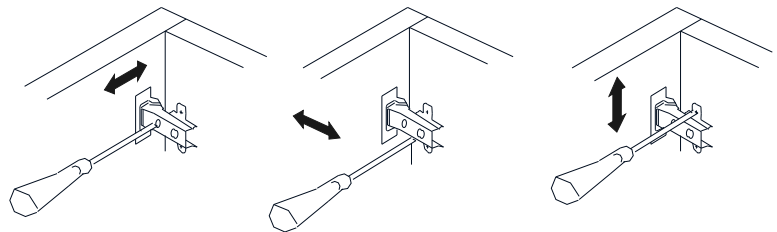


14



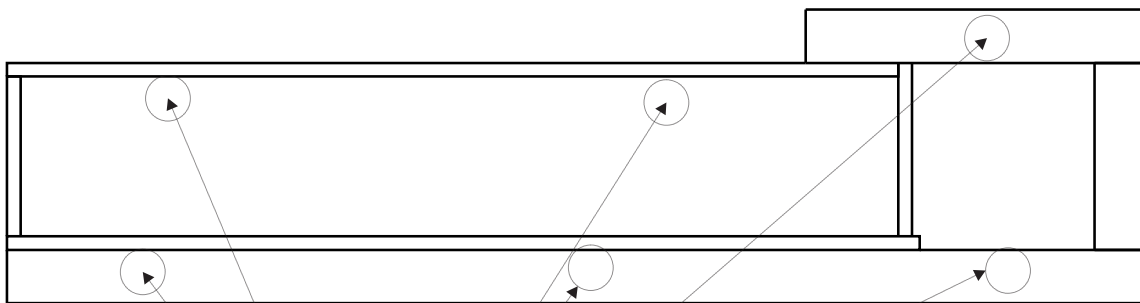
A=
B =

/ to connect the hinge to the door
/ to arrange the door

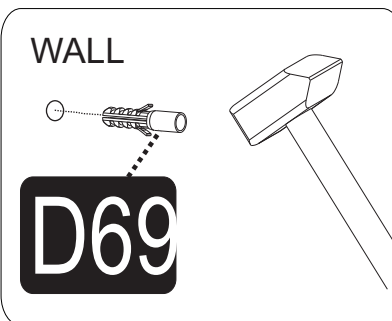
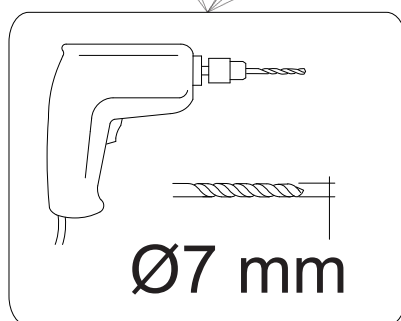


arrows to show the directions for arrangement of doors.

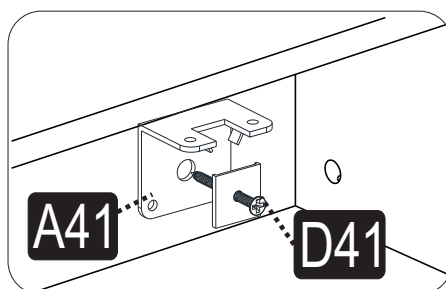
15



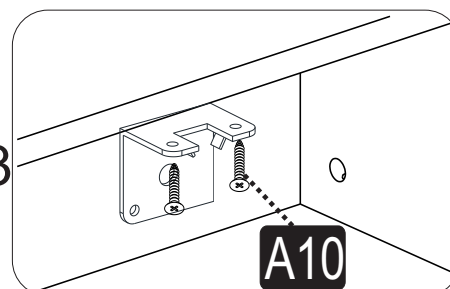
PART-1



PART-2



PART-3



PART-4

