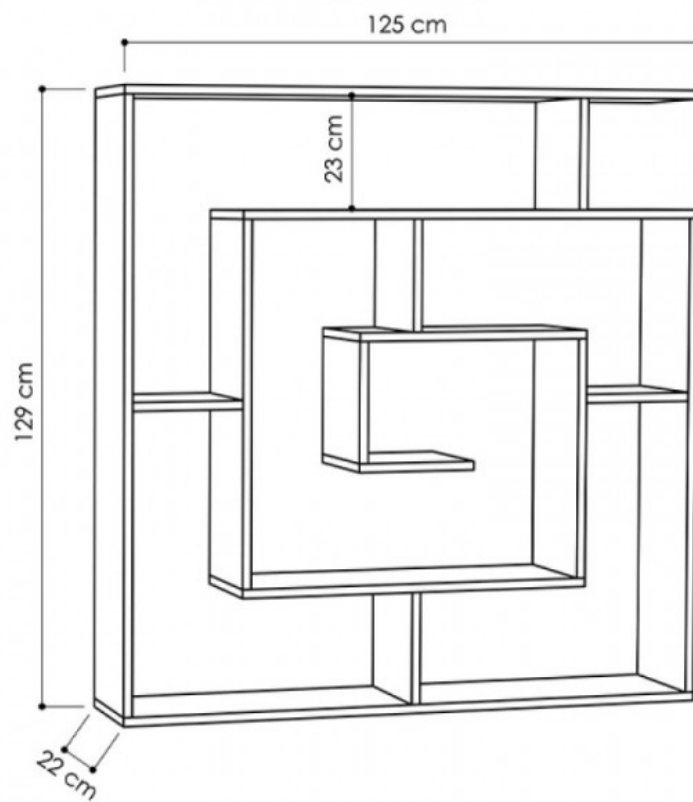
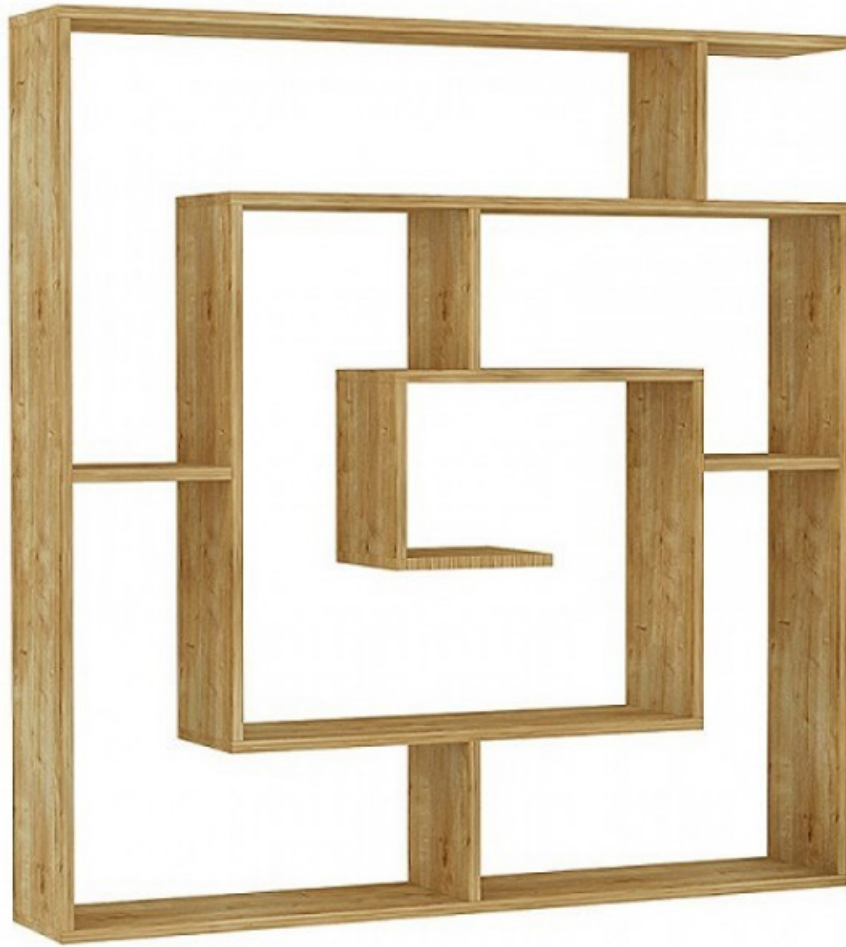

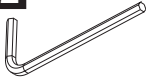
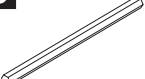
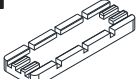
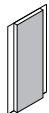
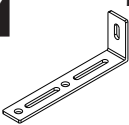




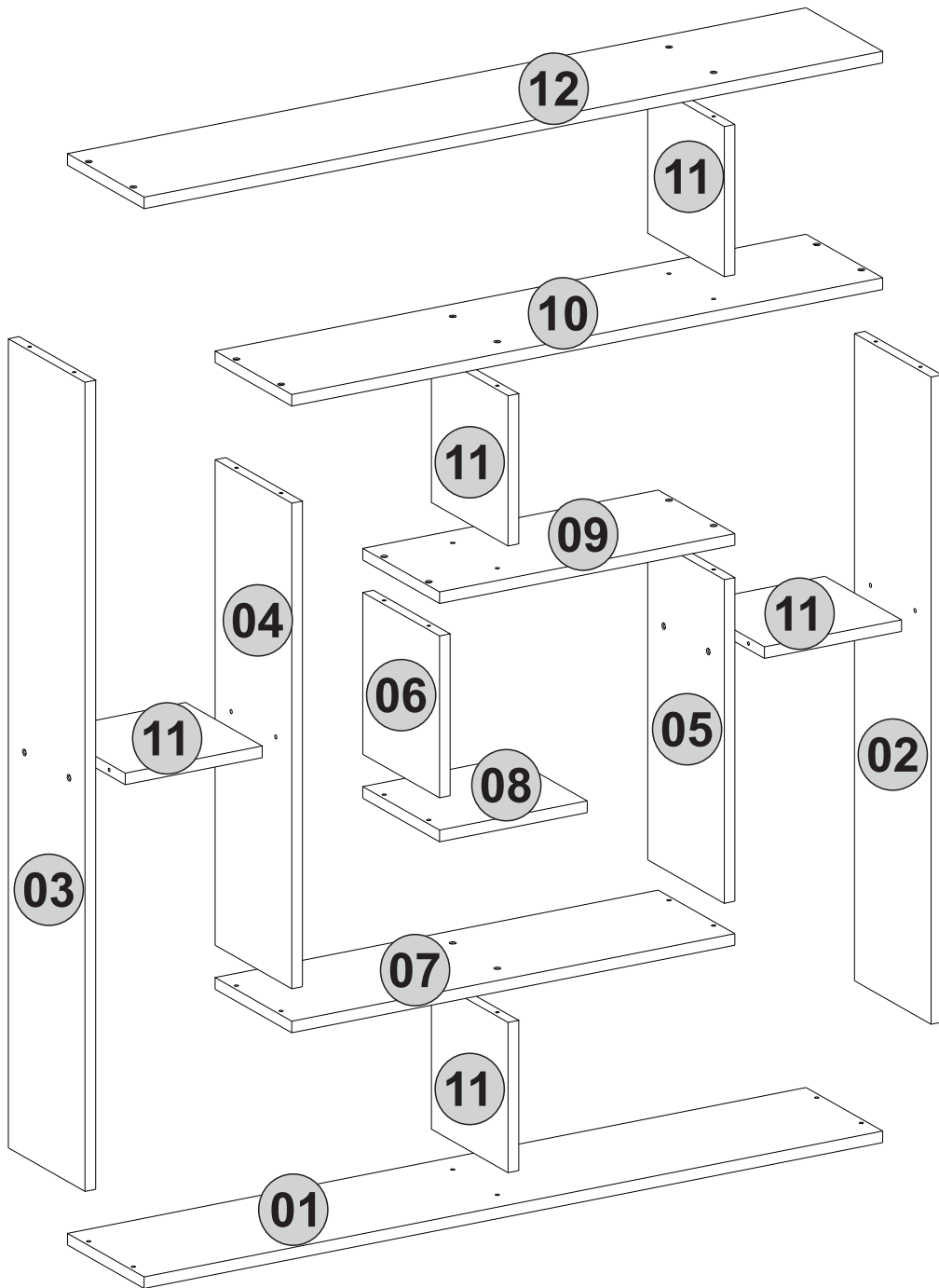




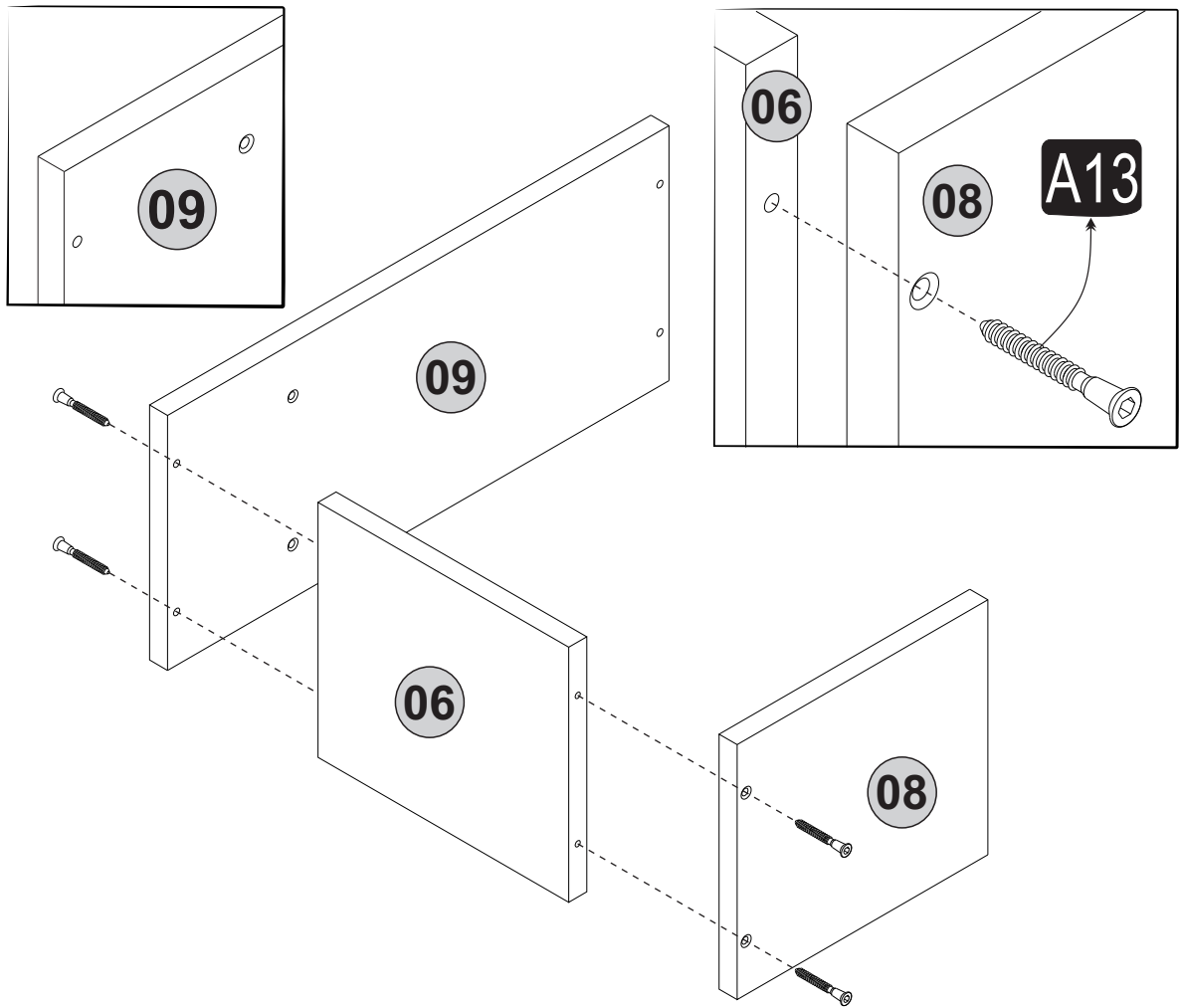
**GP037-0022,1**



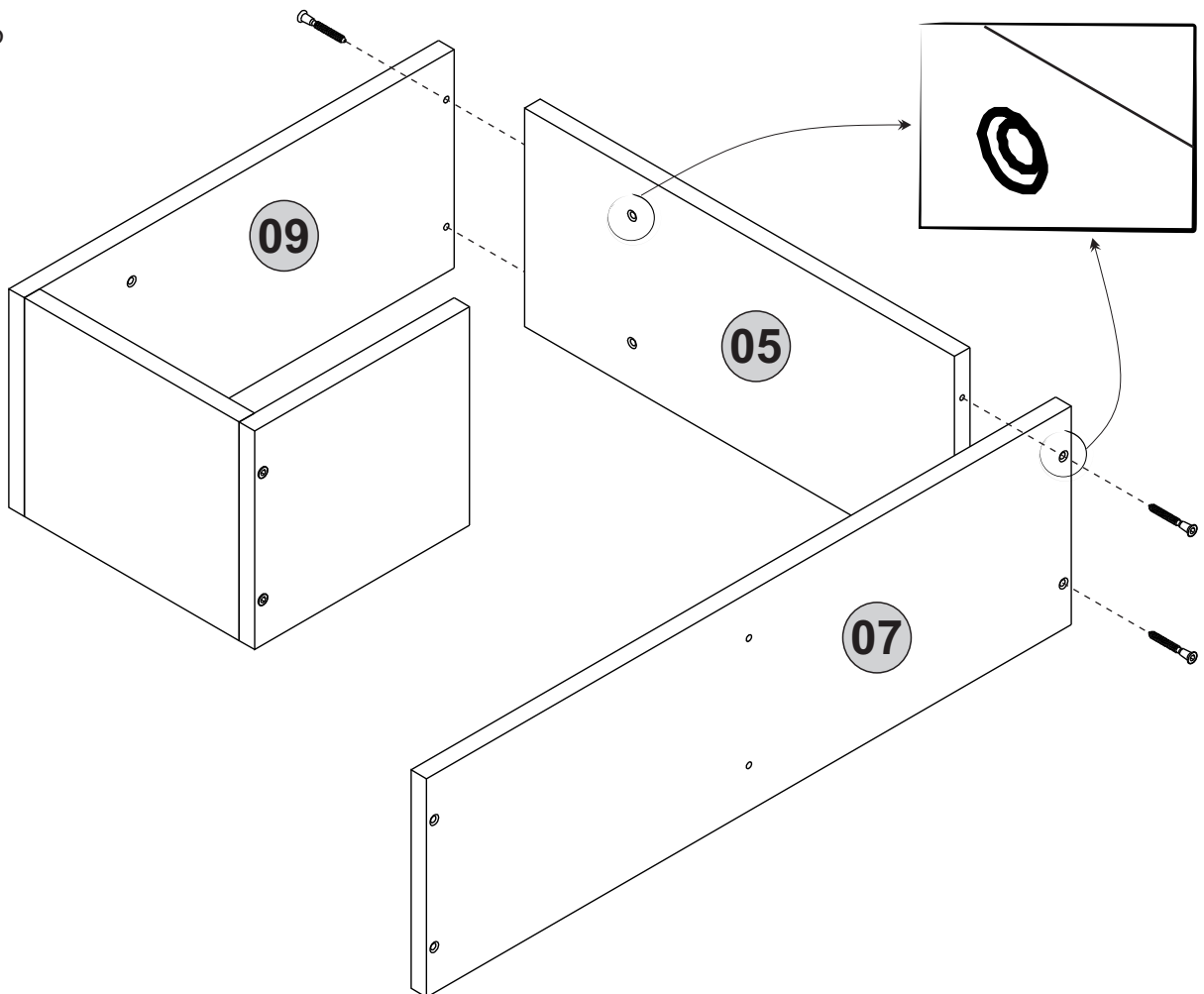
<b>A13</b> 50mm 	<b>A12</b> 4 sw 	<b>A26</b> Allen 	<b>A08</b> Pabuç 	<b>Y03</b> Ctpb 
<b>A87</b> 40x 15x90x30 	<b>A17</b> 1x 4X50 	<b>A16</b> 1x DbØ8 	<b>A18</b> 2x 3,5x18 	<b>A06</b> 18mm 40x 



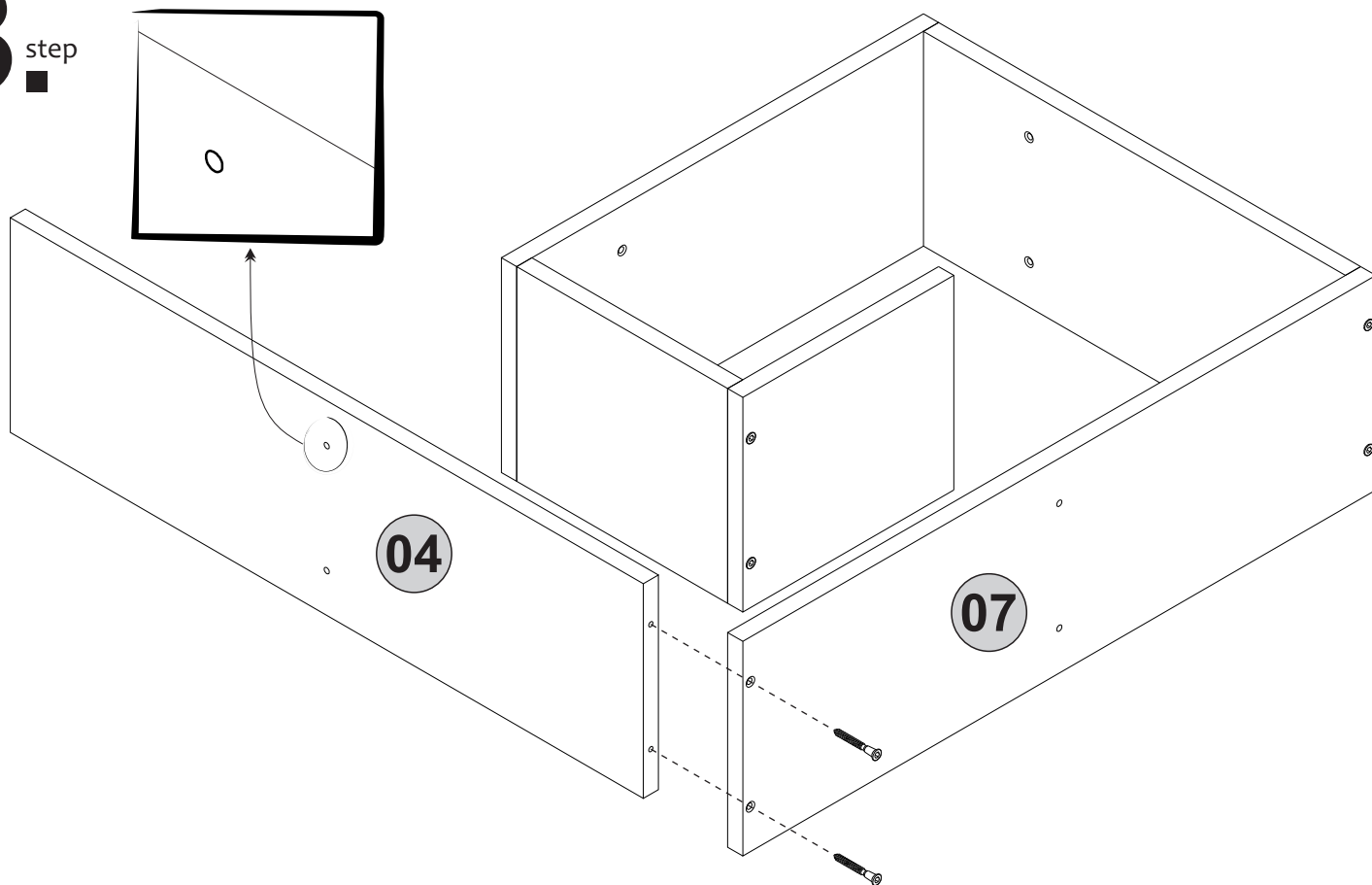
# 1. step



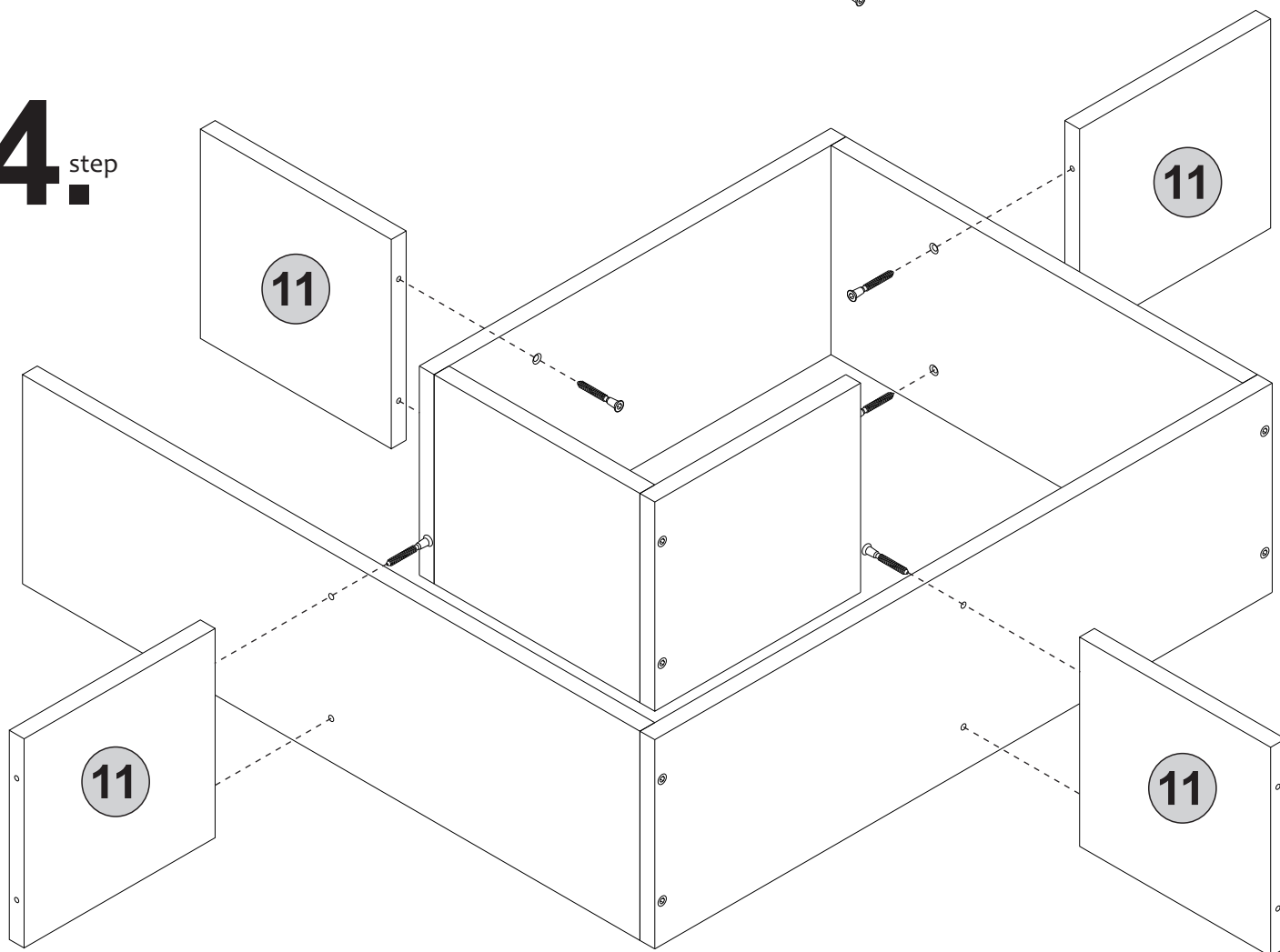
# 2. step



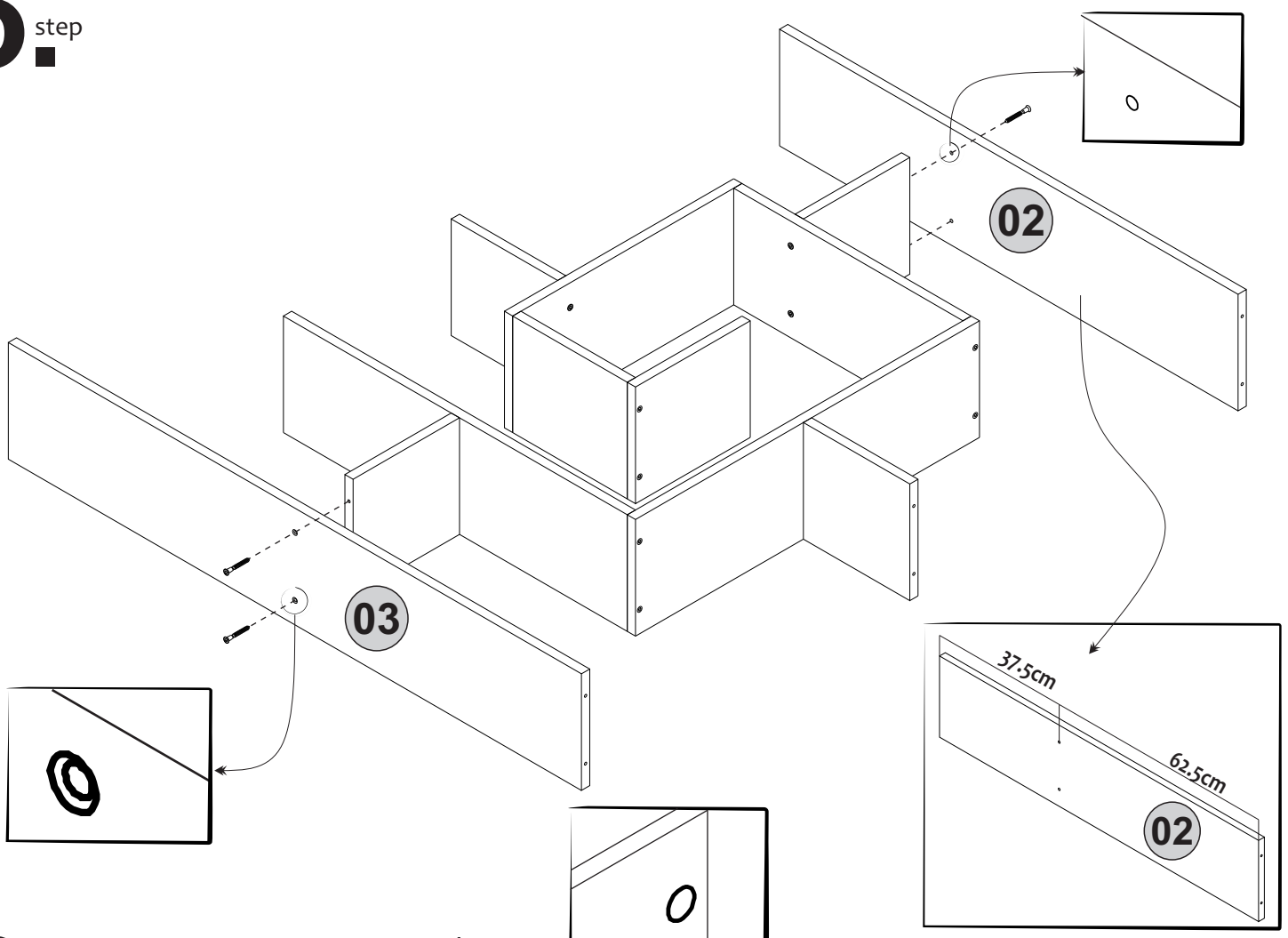
**3** step



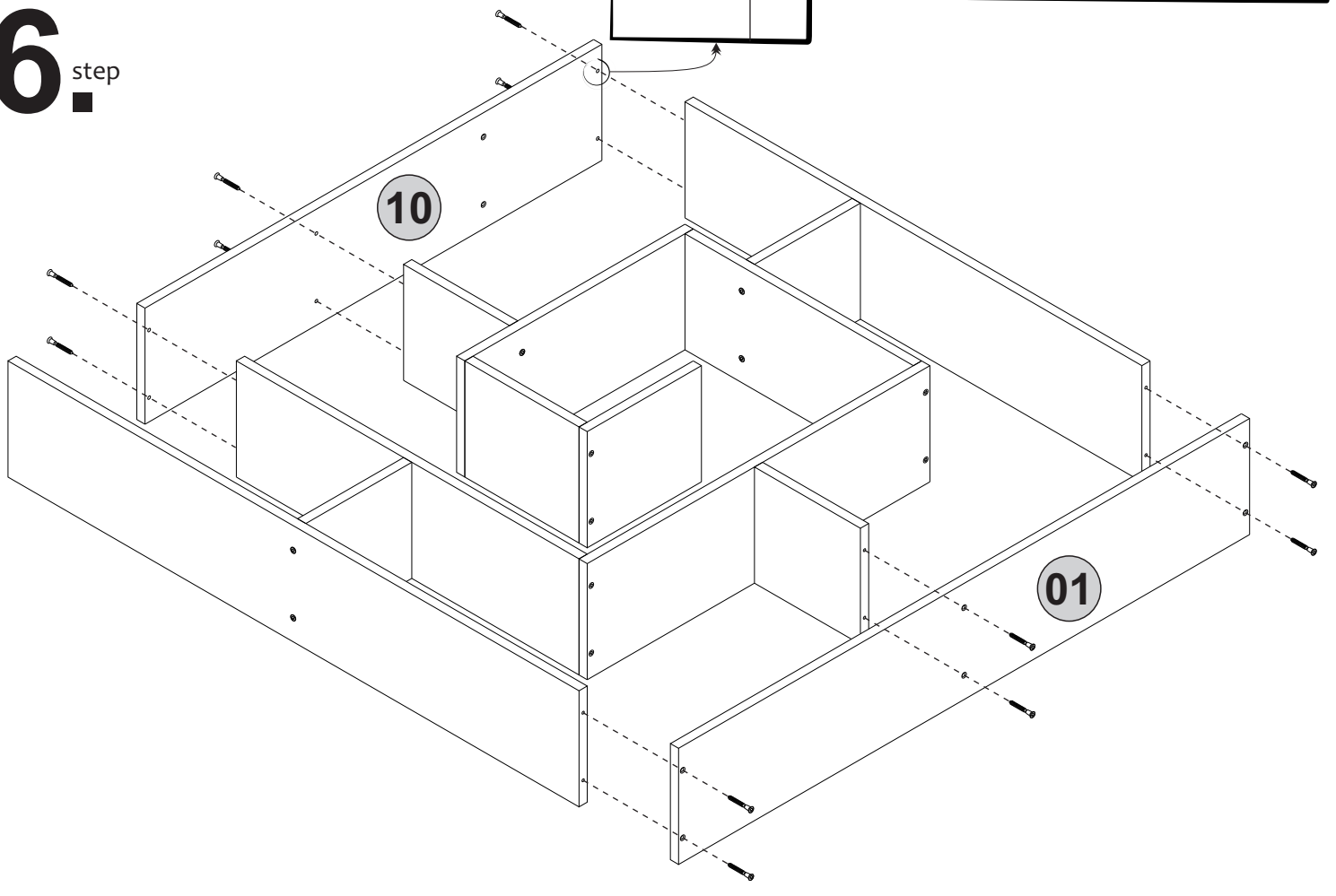
**4** step



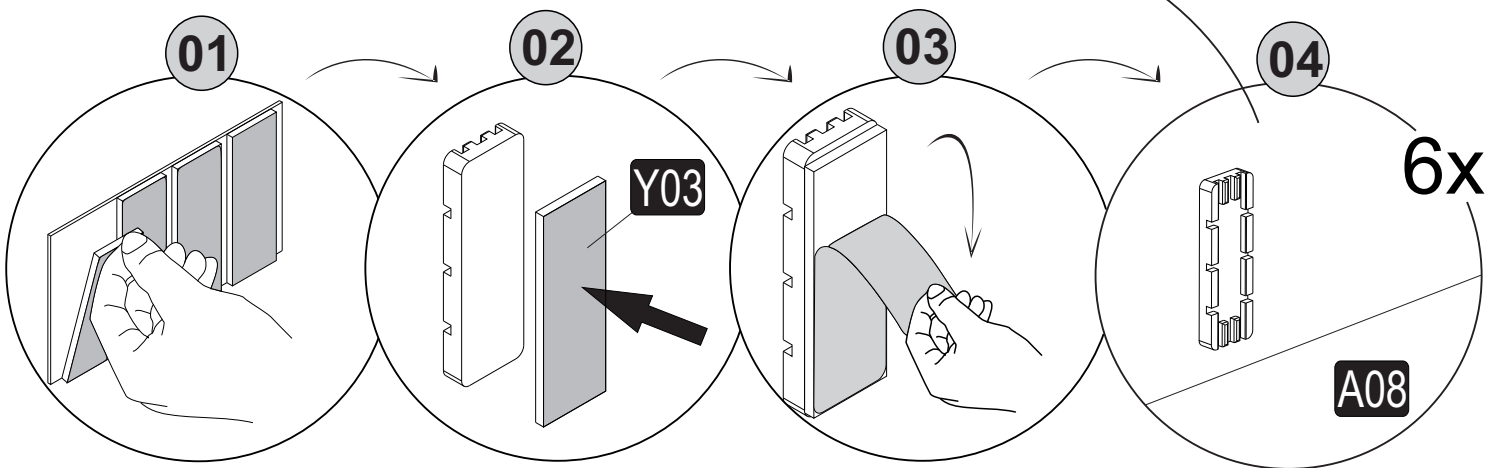
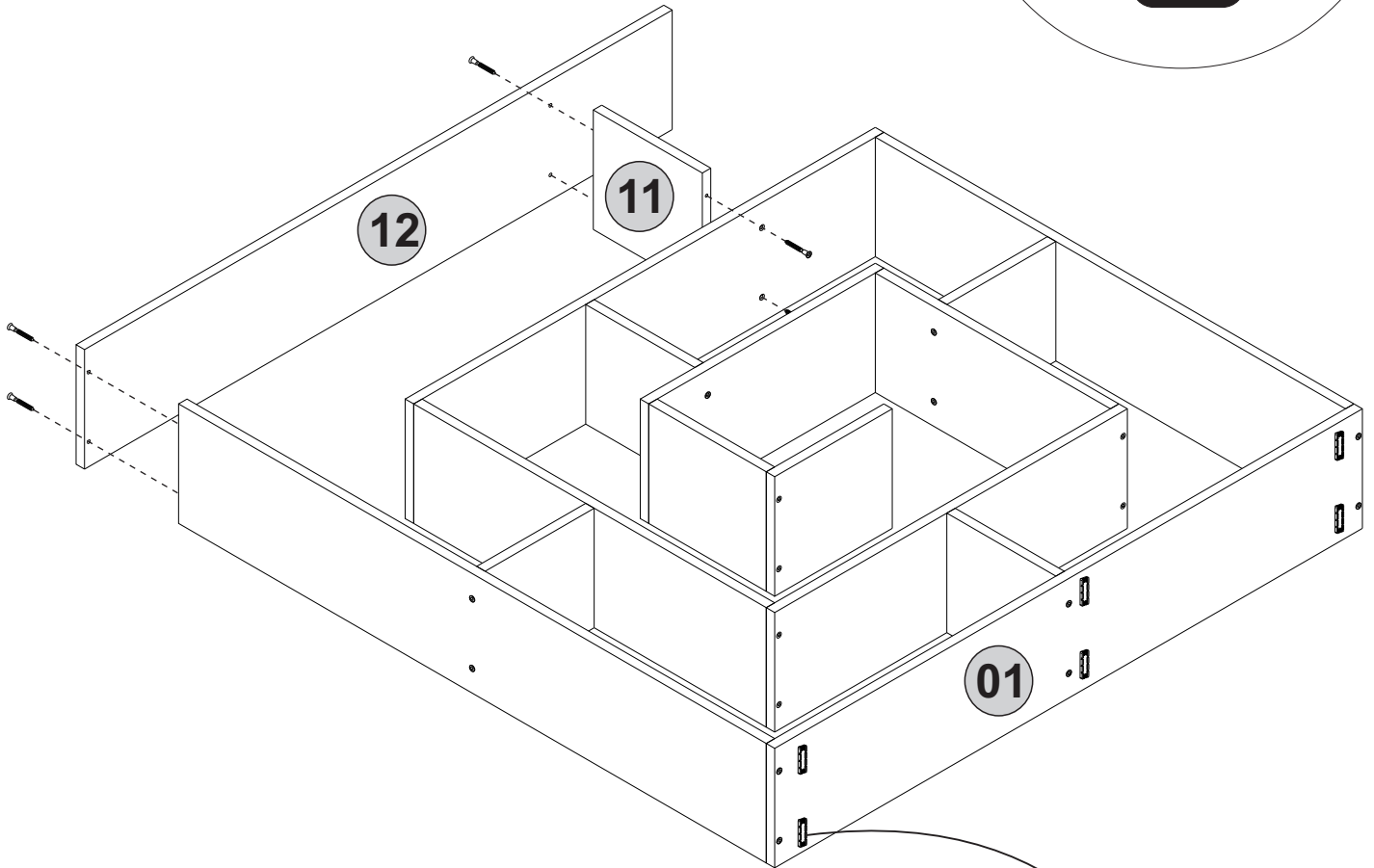
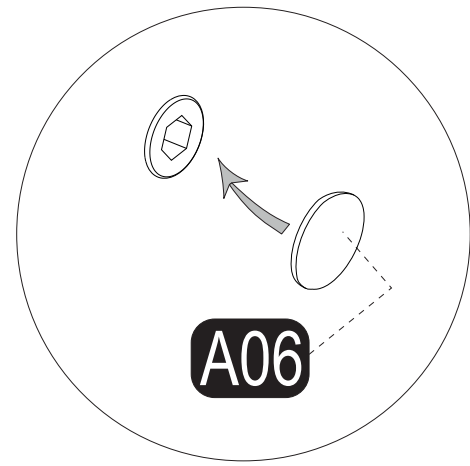
# 5. step



# 6. step



# 7<sup>step</sup>



# 8 step

