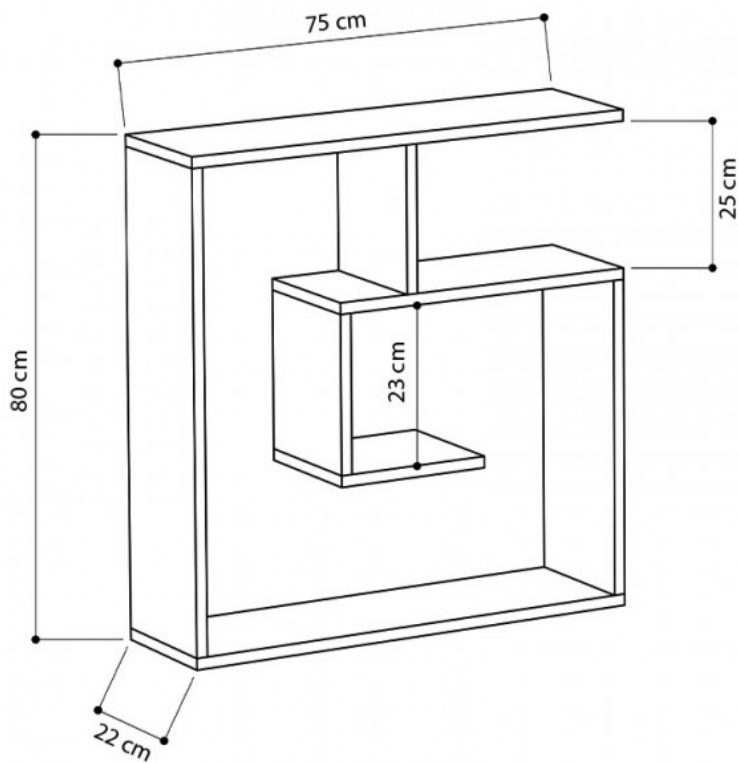
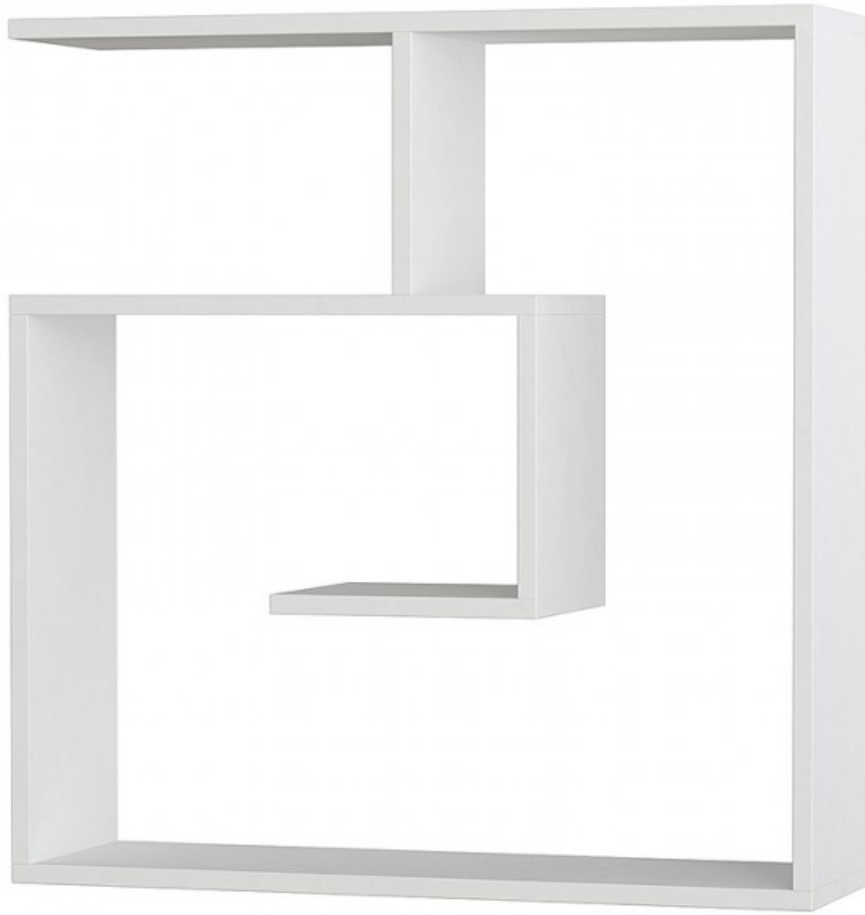





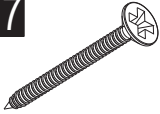


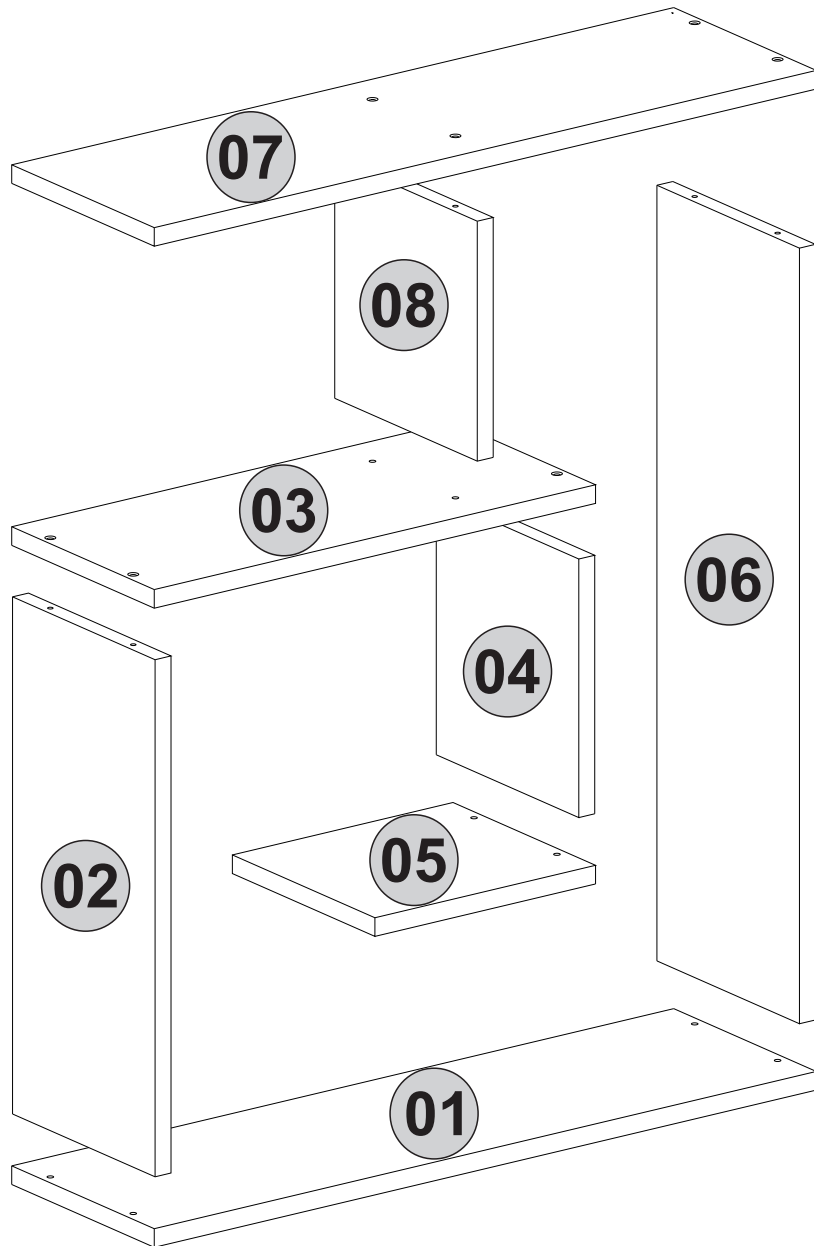




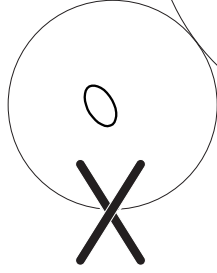
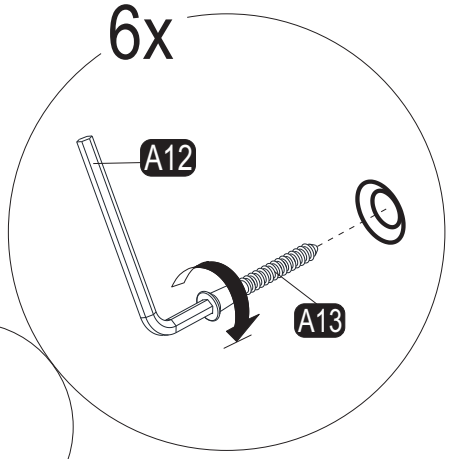
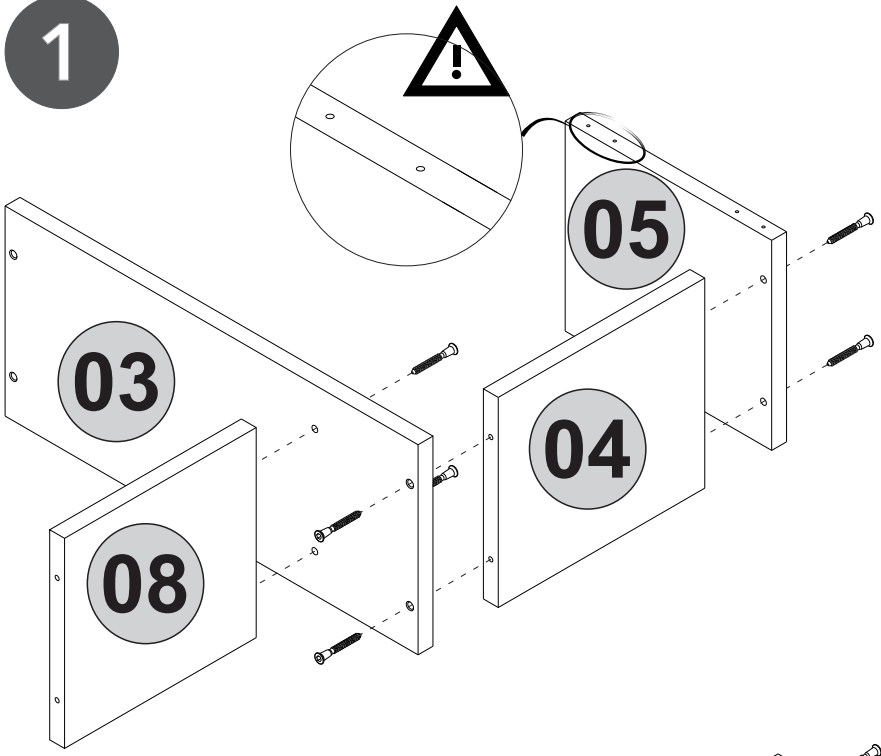
**GP037-0024,1**



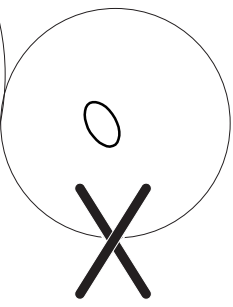
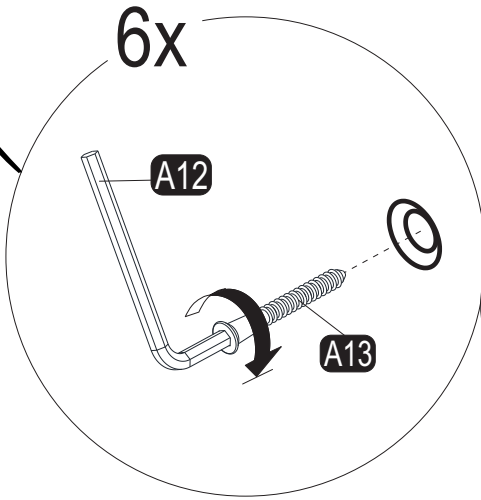
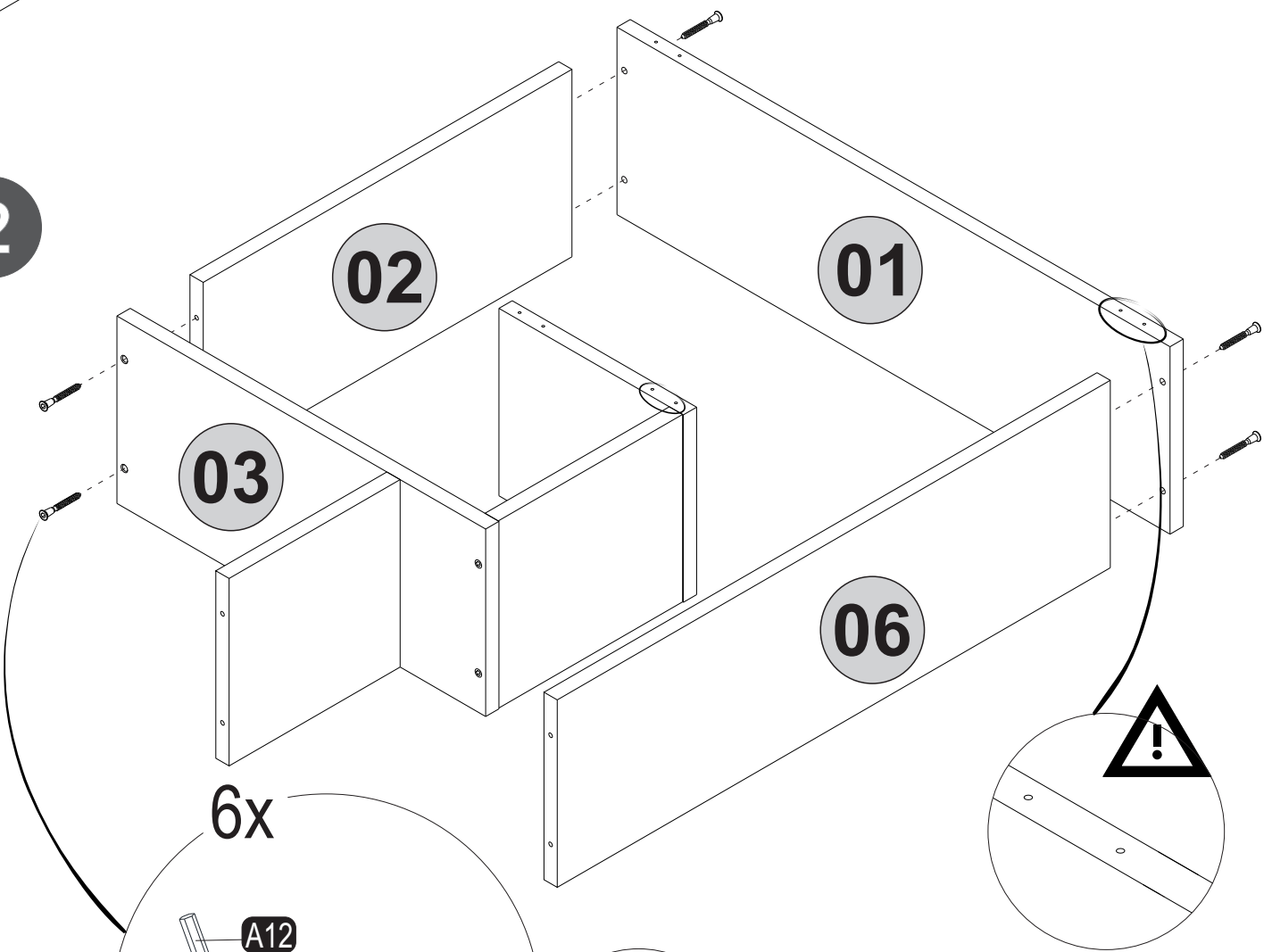
<b>A12</b>  Allen <b>1x</b>	<b>A13</b>  50mm <b>16x</b>	<b>A06</b>  18mm <b>C1-16x</b>	<b>A37</b>  45/16 mm <b>6x</b>	<b>Z19</b>  Gbdy <b>6x</b>
<b>A17</b>  4x50 <b>6x</b>		<b>A16</b>  DbØ8 <b>6x</b>		<b>A11</b>  3,5x30 <b>12x</b>



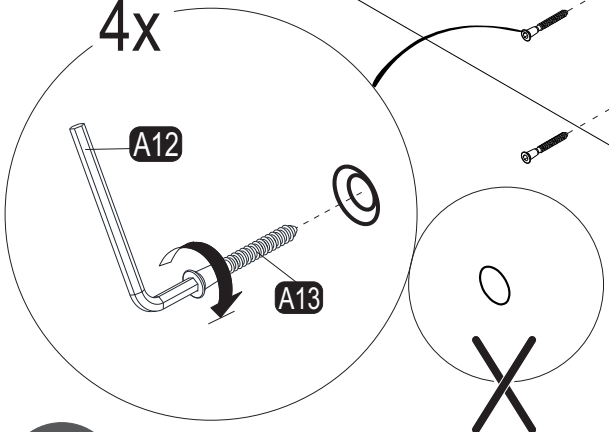
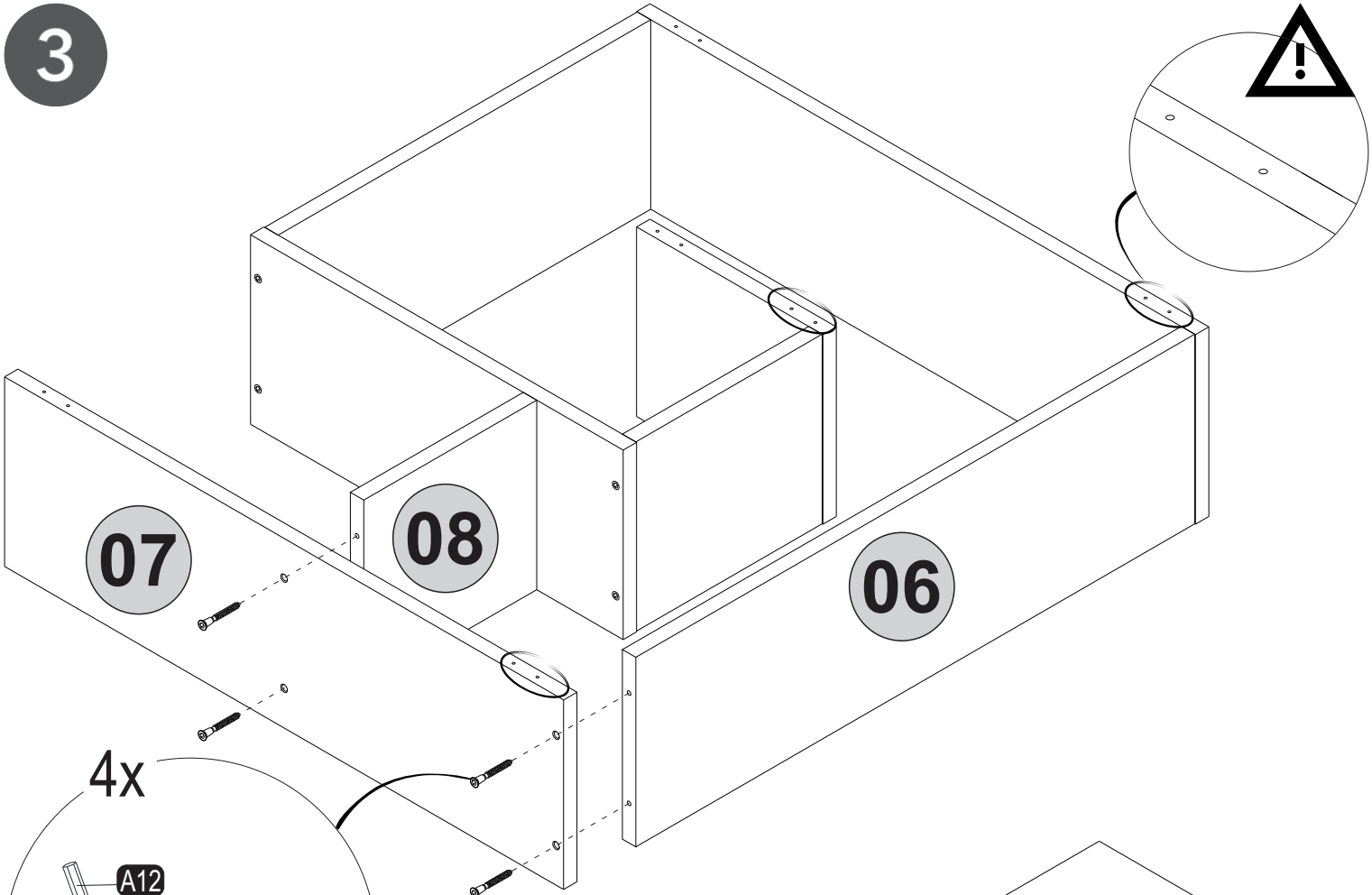
1



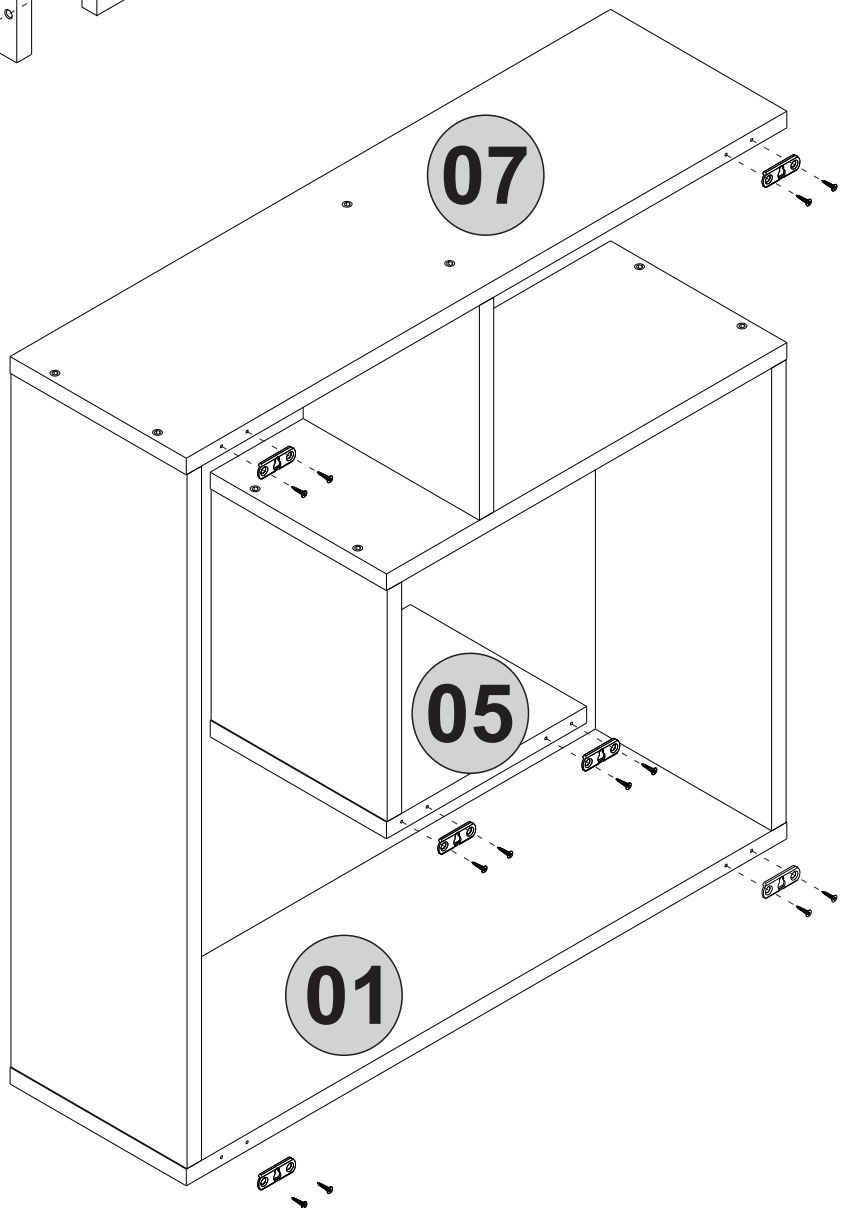
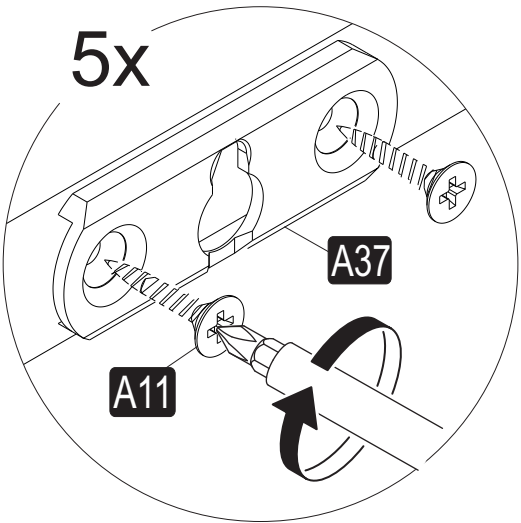
2



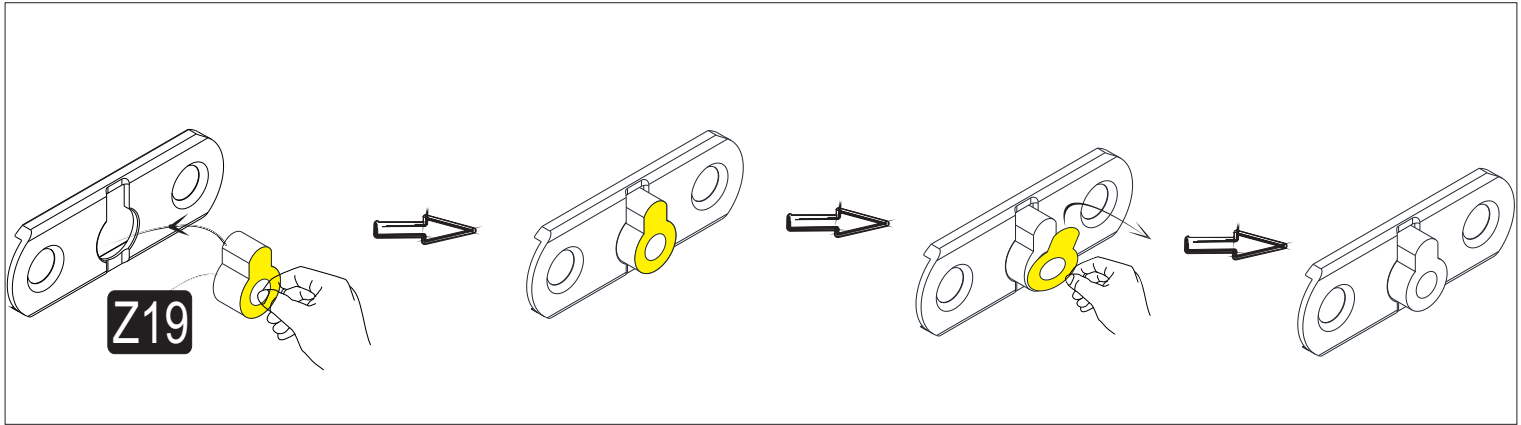
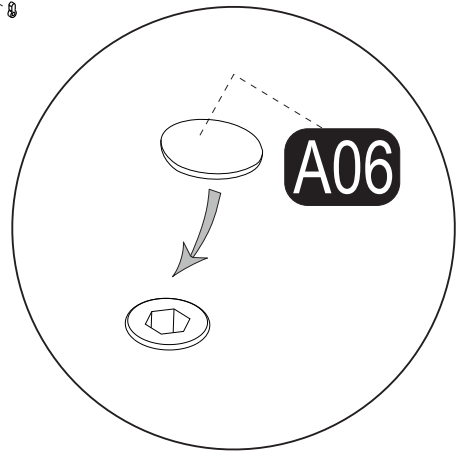
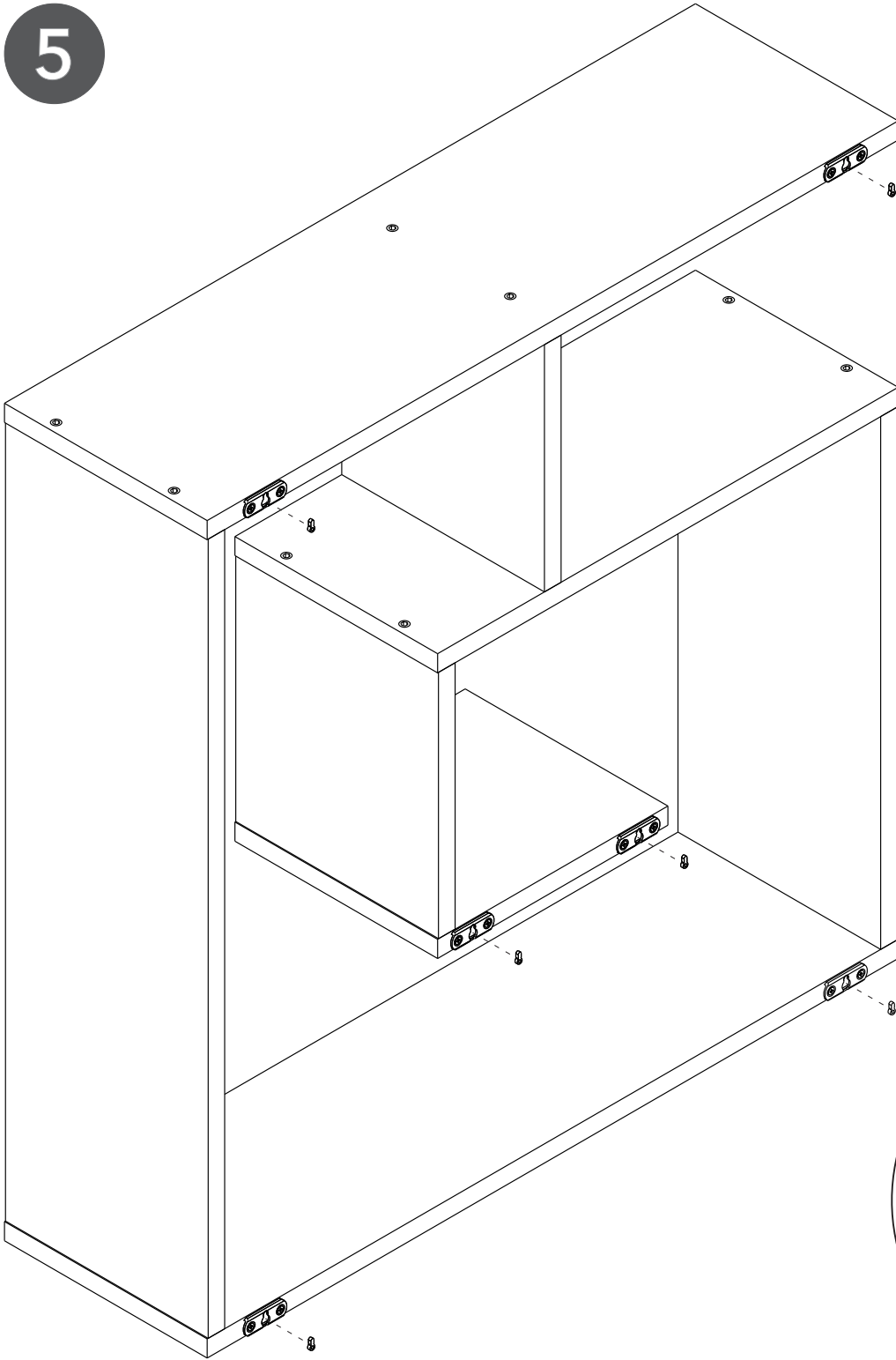
3



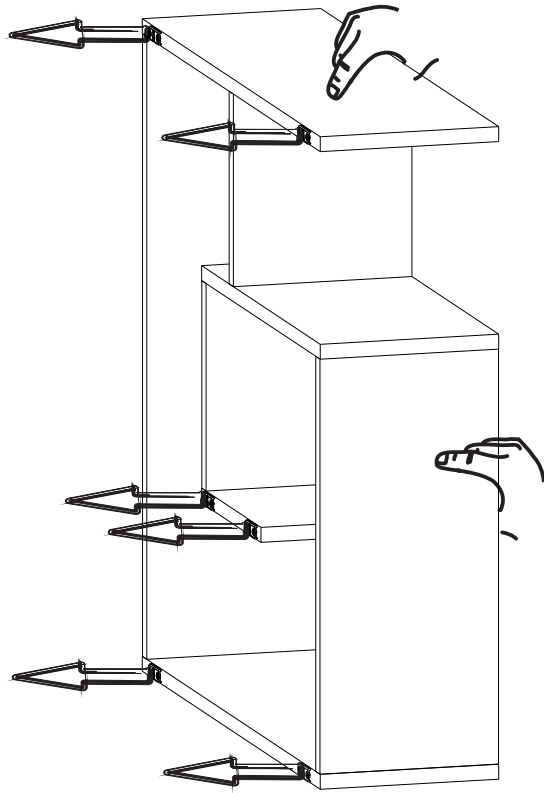
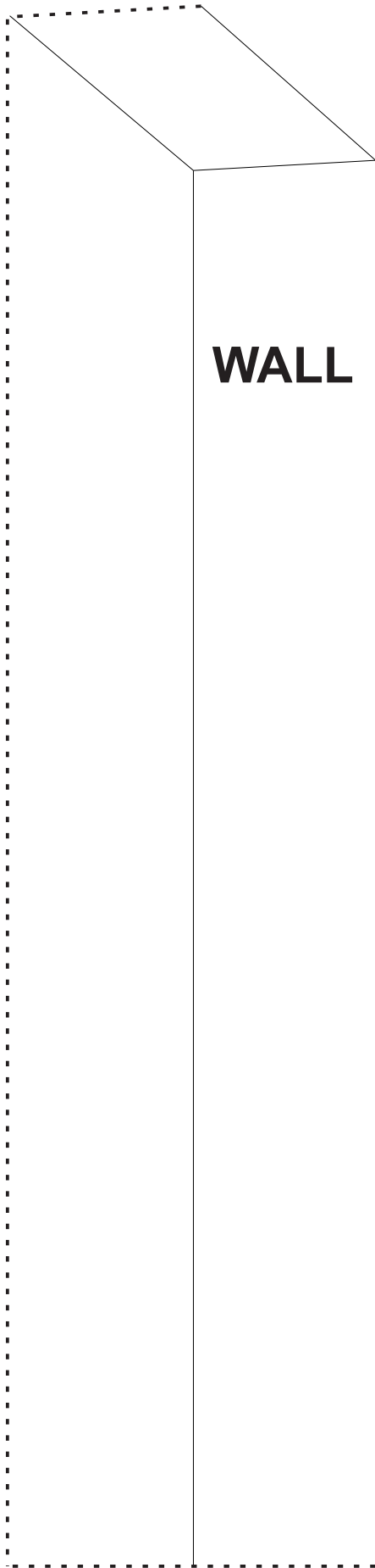
4



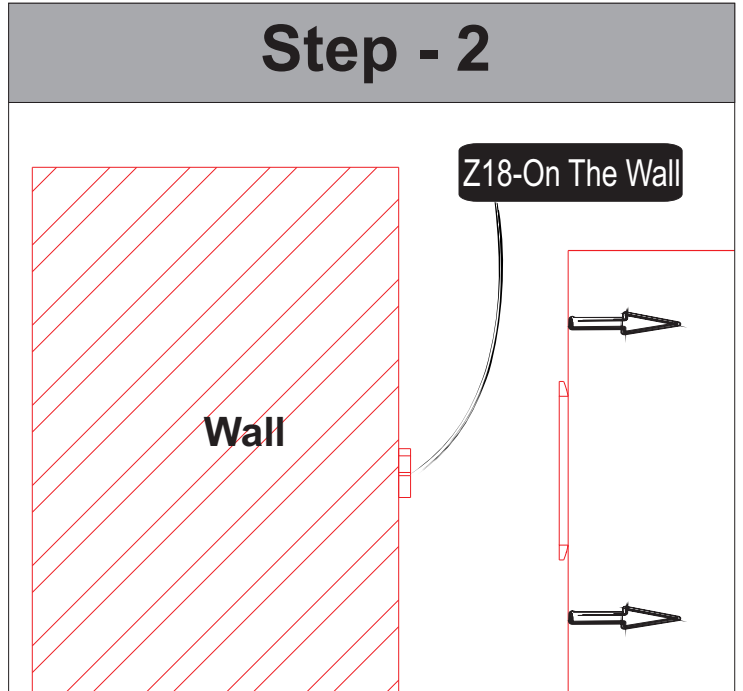
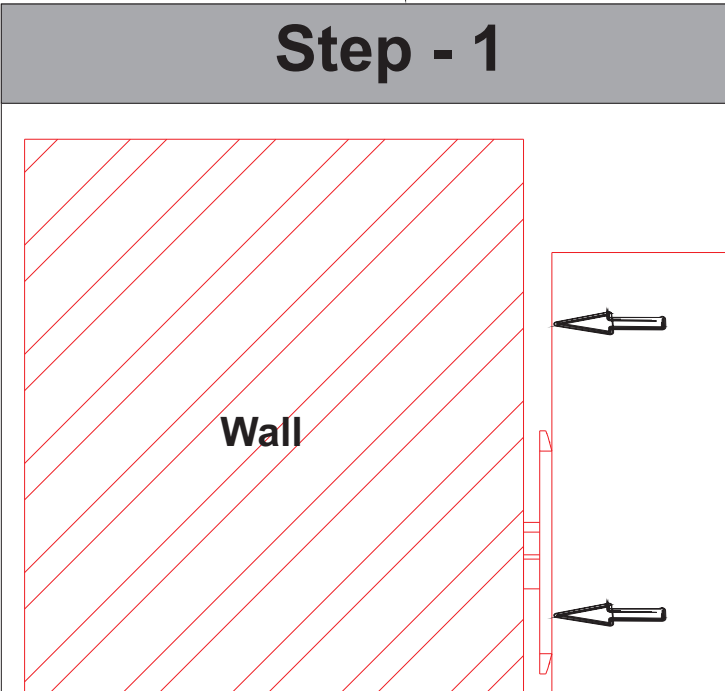
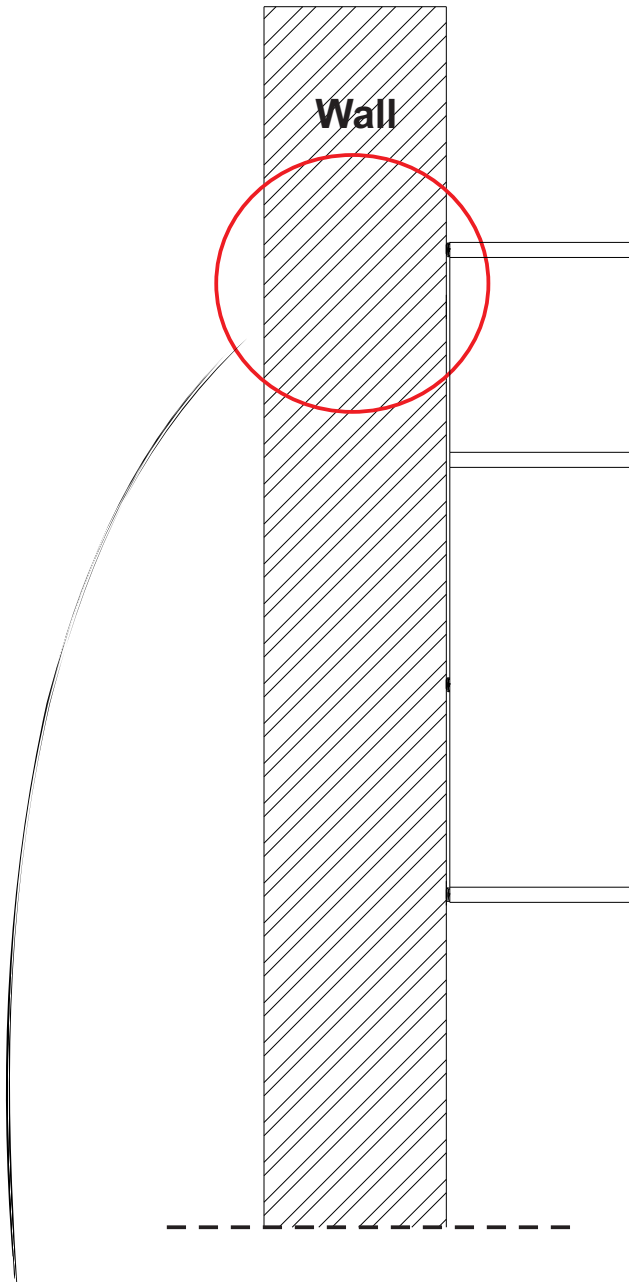
5



6



7



8

