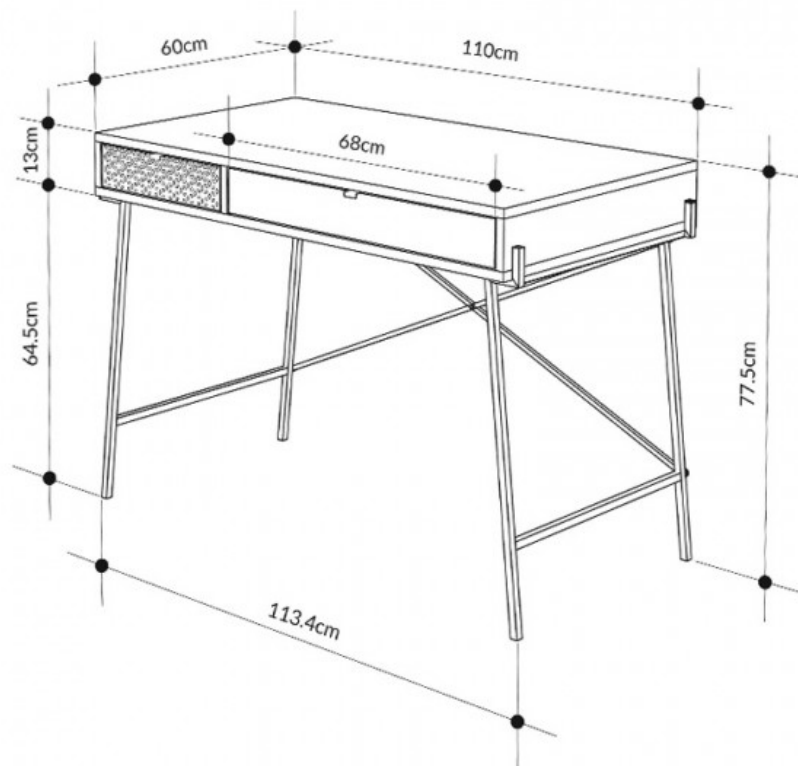
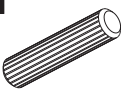

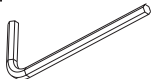



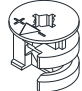
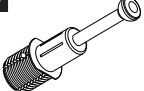
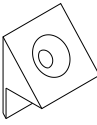

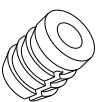
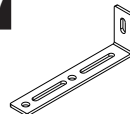


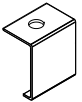
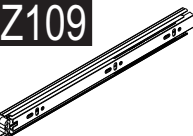


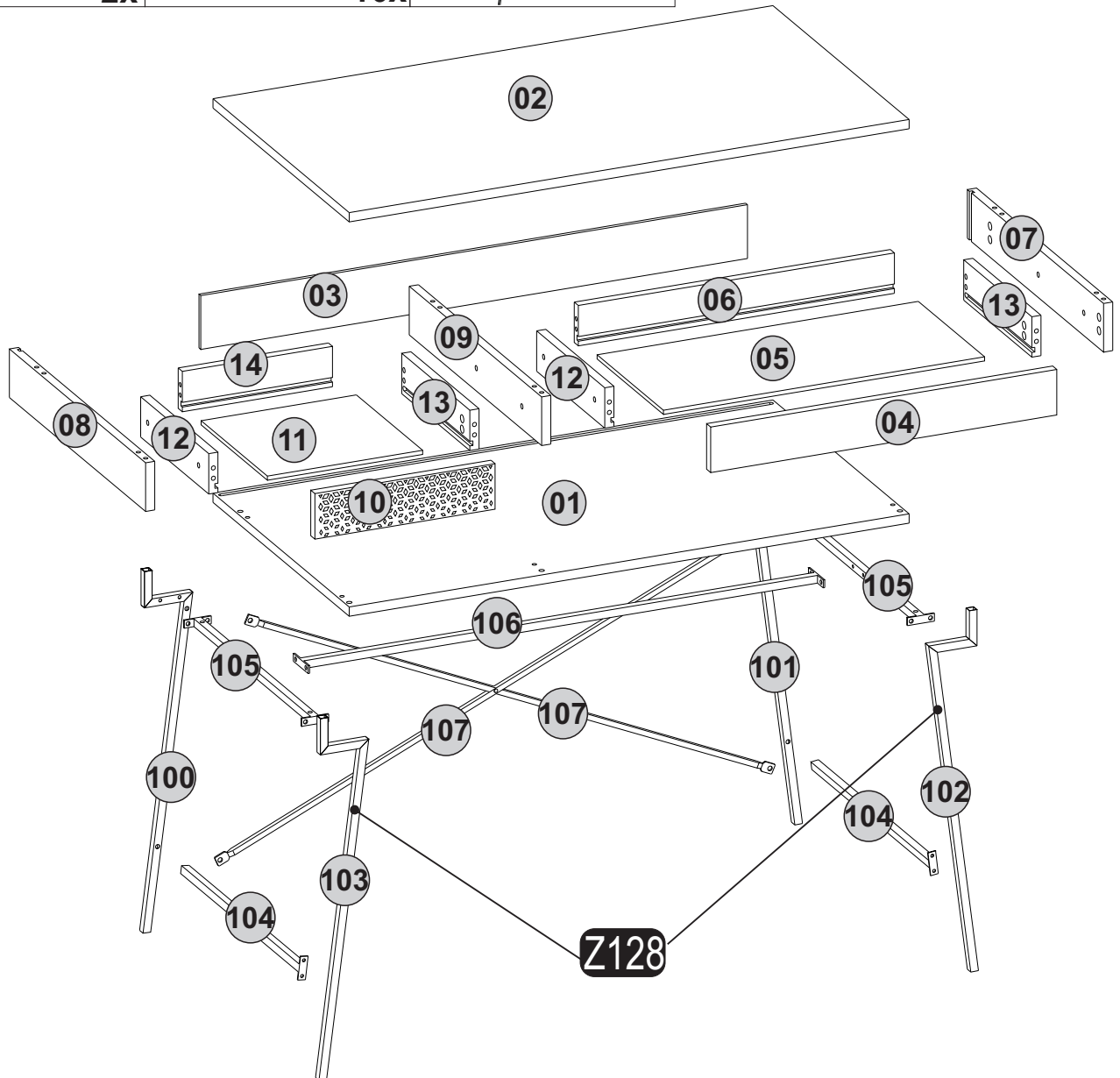


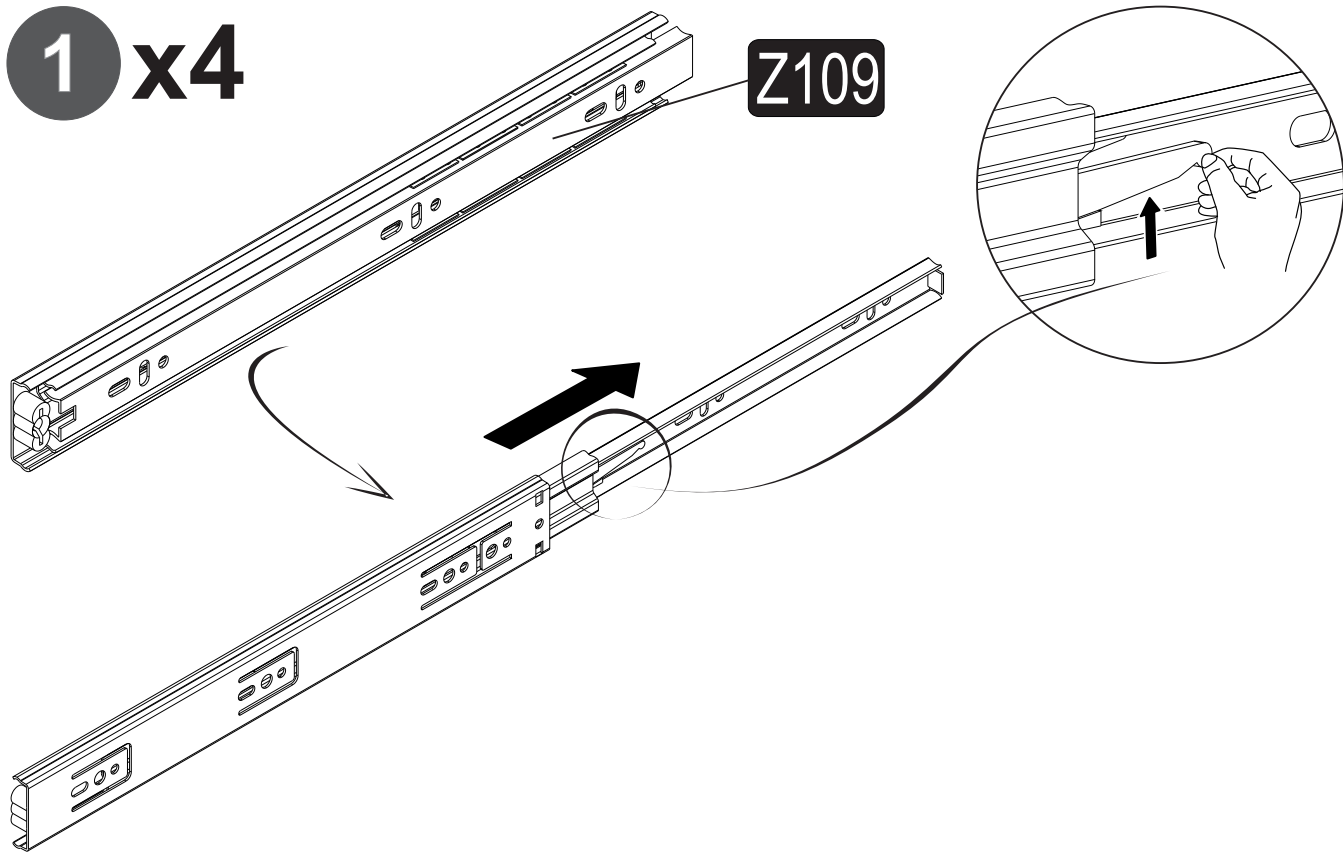
i GP037-0287,1



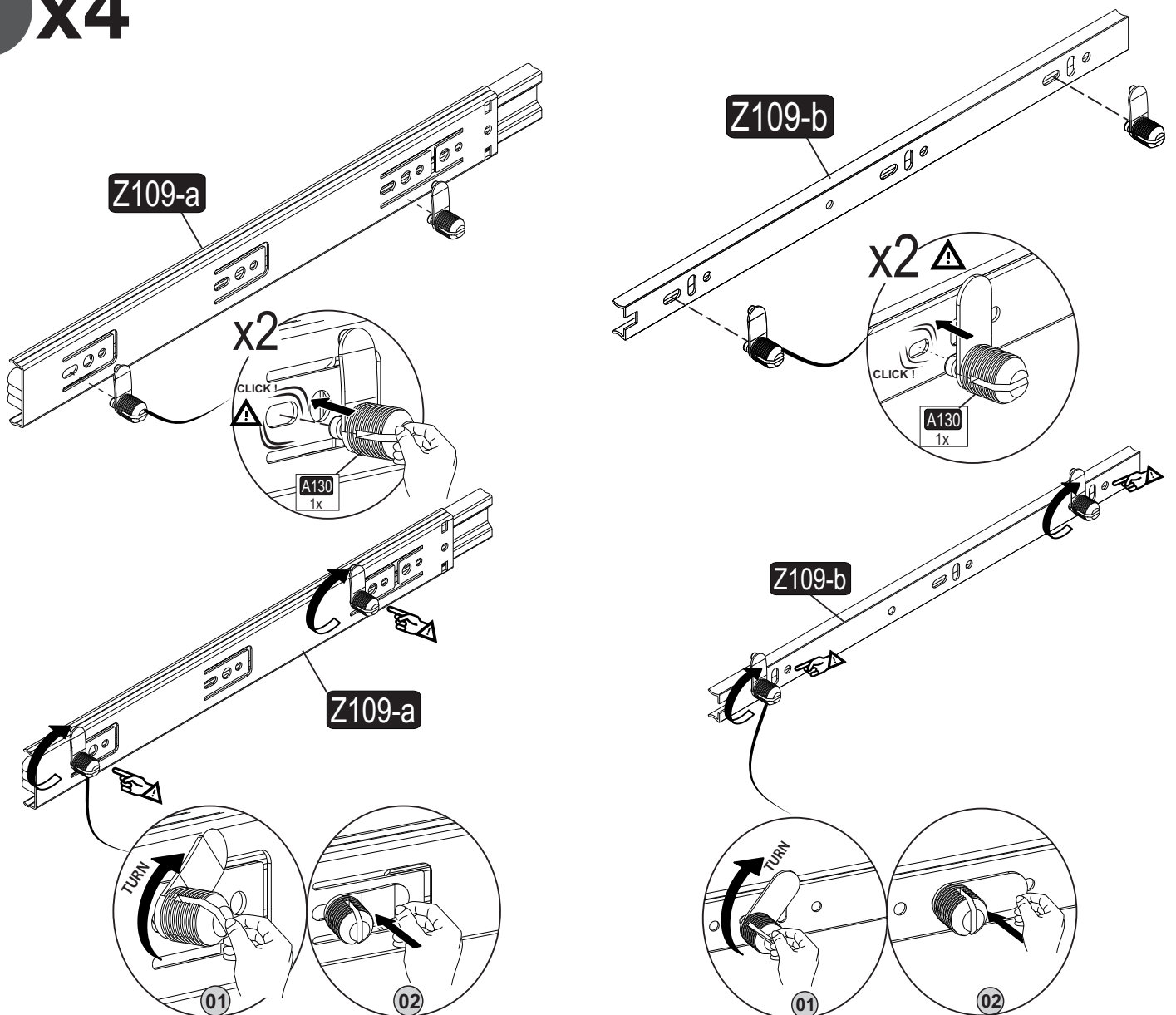
A04 Ø8x30  12x	A06 18mm  28x	A12 Allen  1x	A16 DbØ8  1x	A17 4X50  1x
A18 3,5x18  12x	A22 Minifix k18  28x	A23 Minifix M10  28x	A25 ARK.PL  10x	A50 3,5x16 (Black)  2x
A69 P.D.  4x	A87 15x90x30  1x	B11 10 (black)mm  18x	B13 25 (black)mm  6x	Z133 30 mm MK  2x
Z109 35x300 TR  2x	A130 T.R.D.  16x	A128  1x		



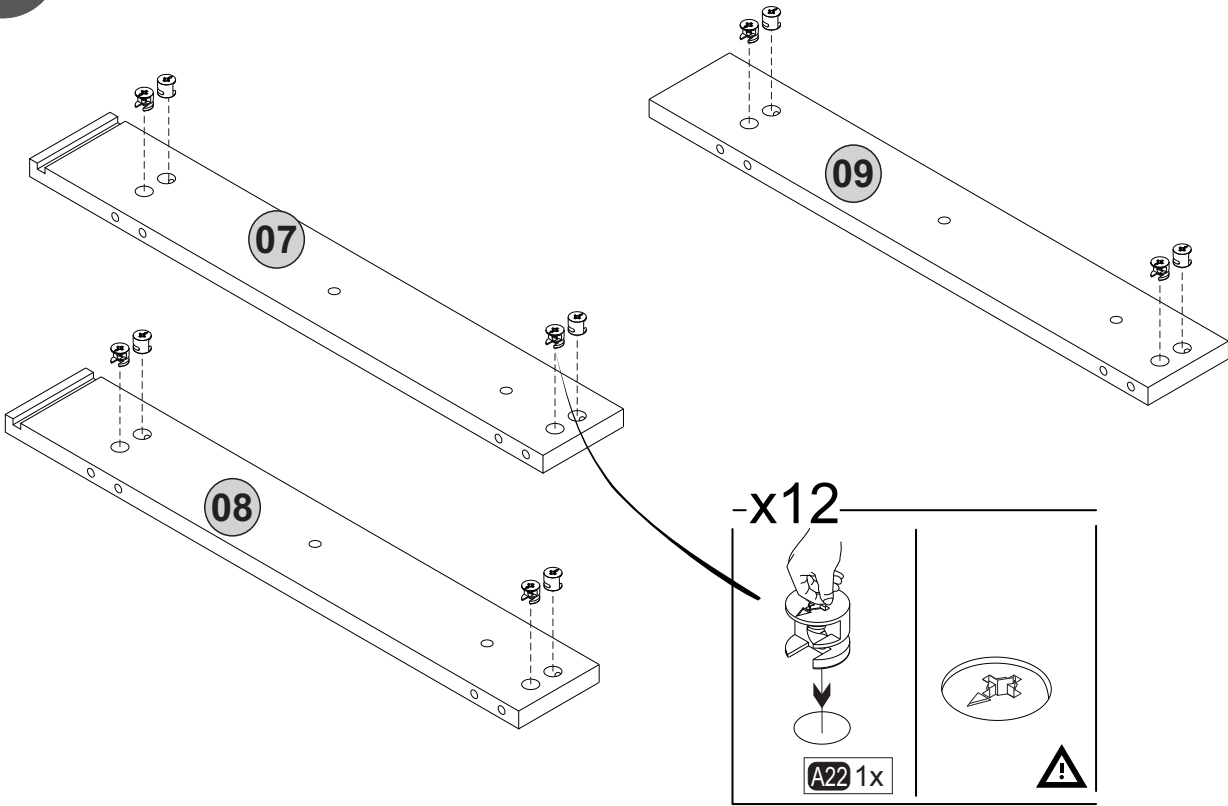
1 x4



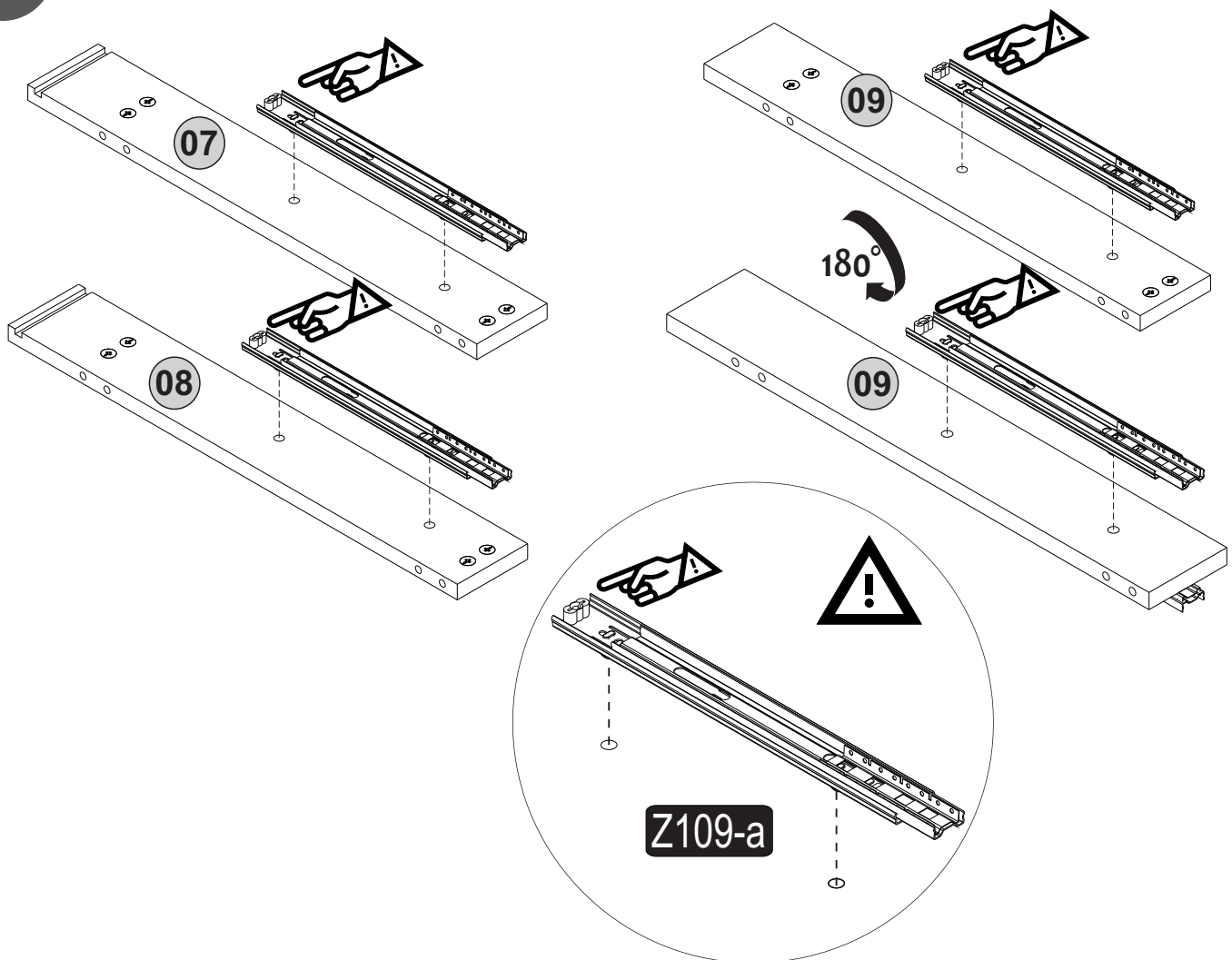
2 x4



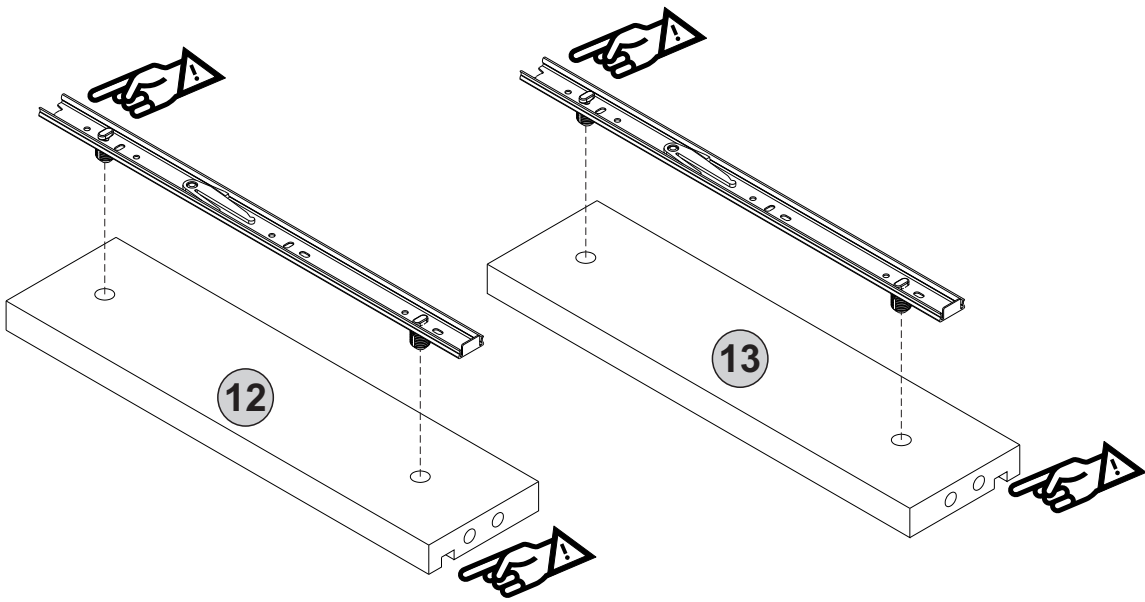
3



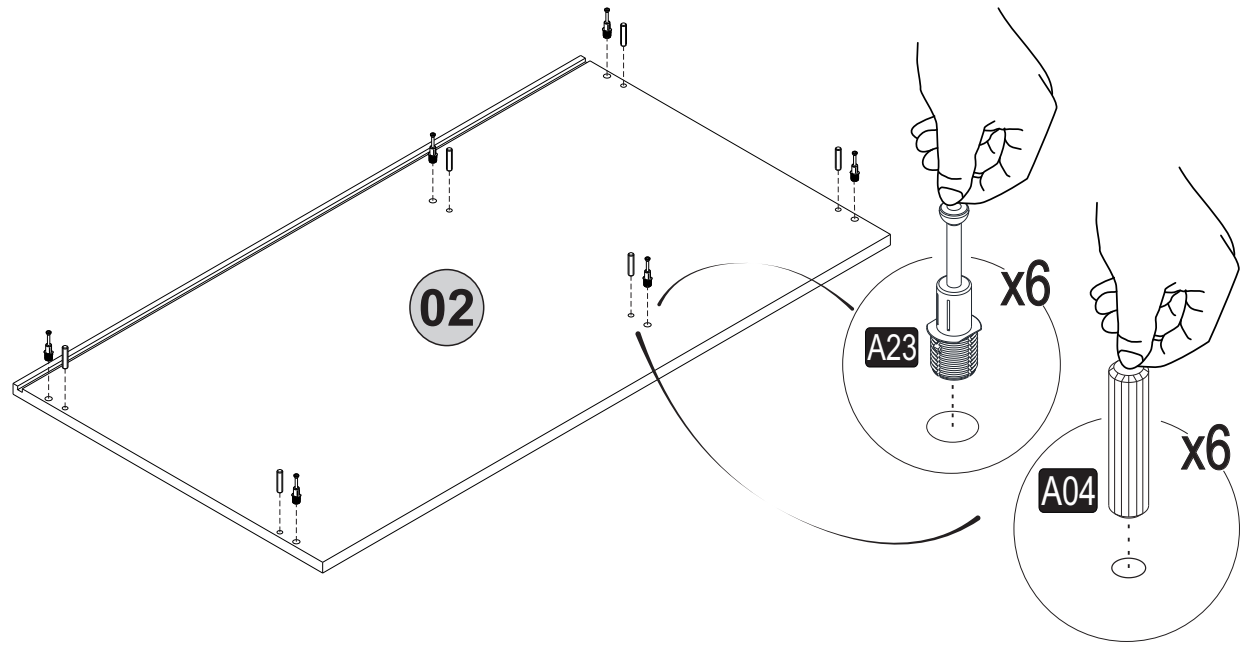
4



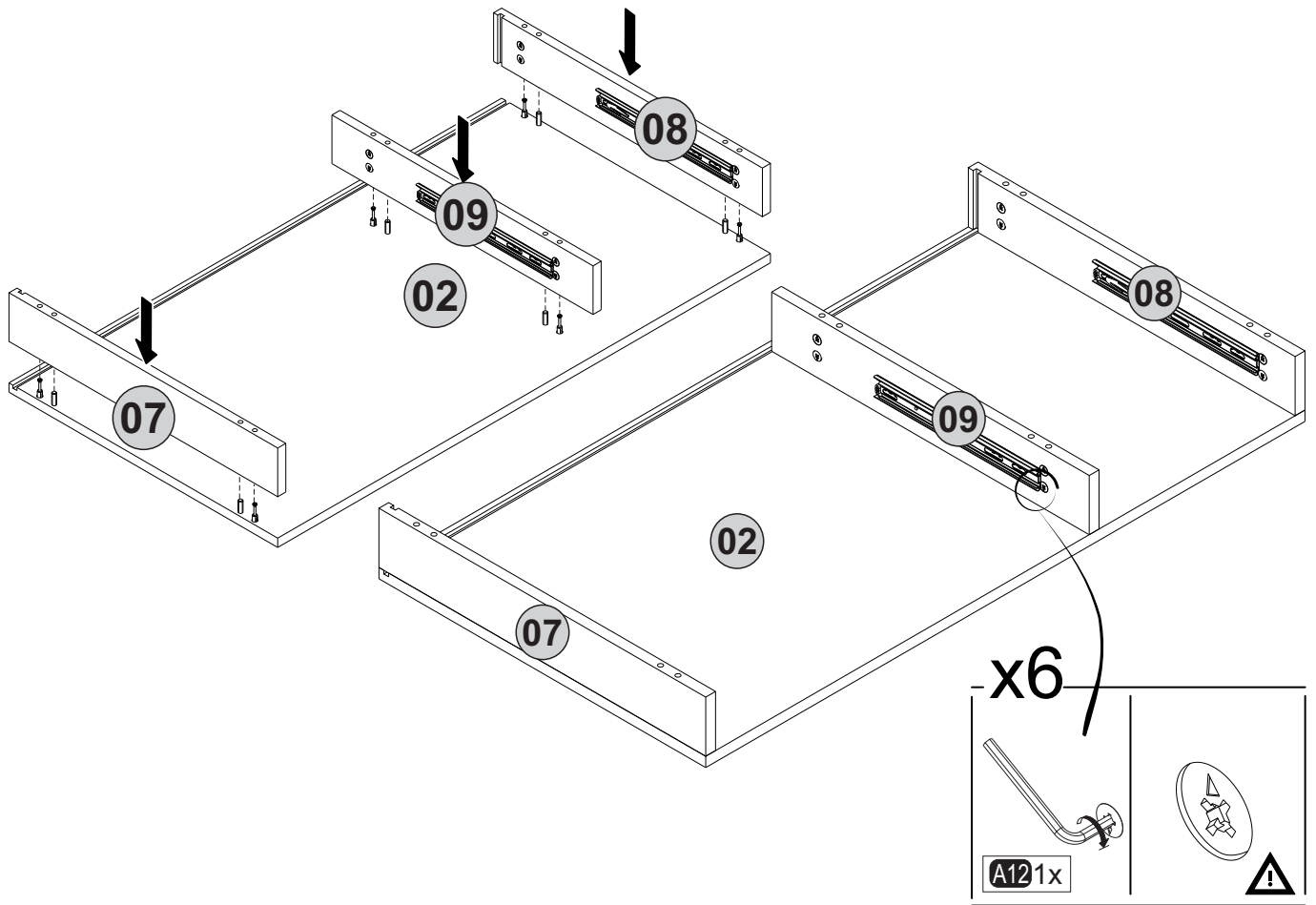
5 x2



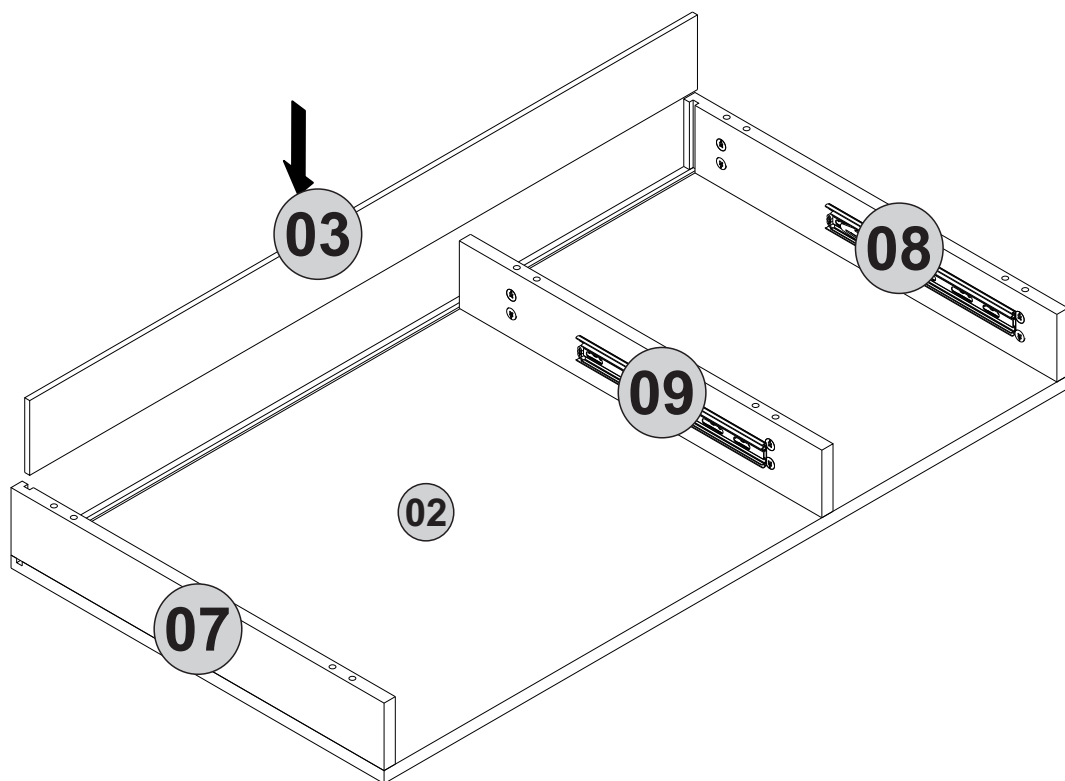
6



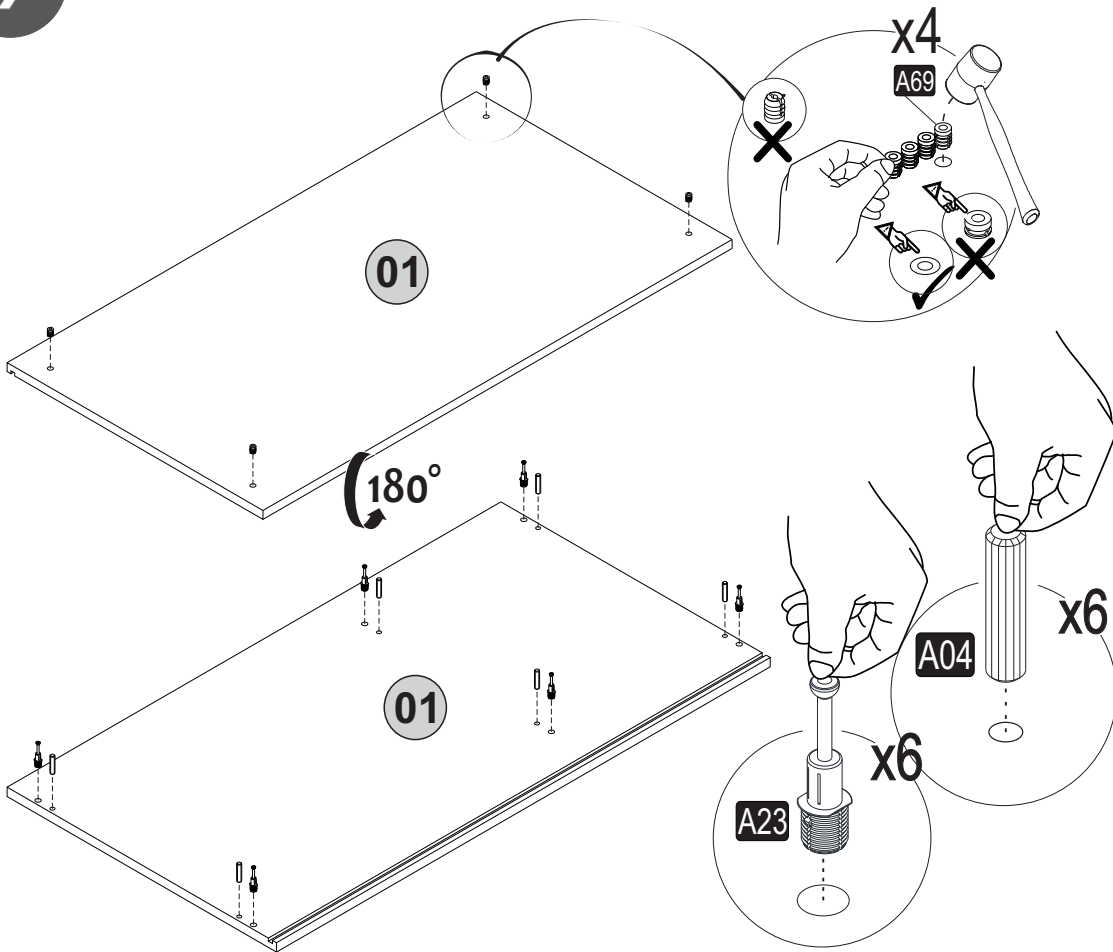
7



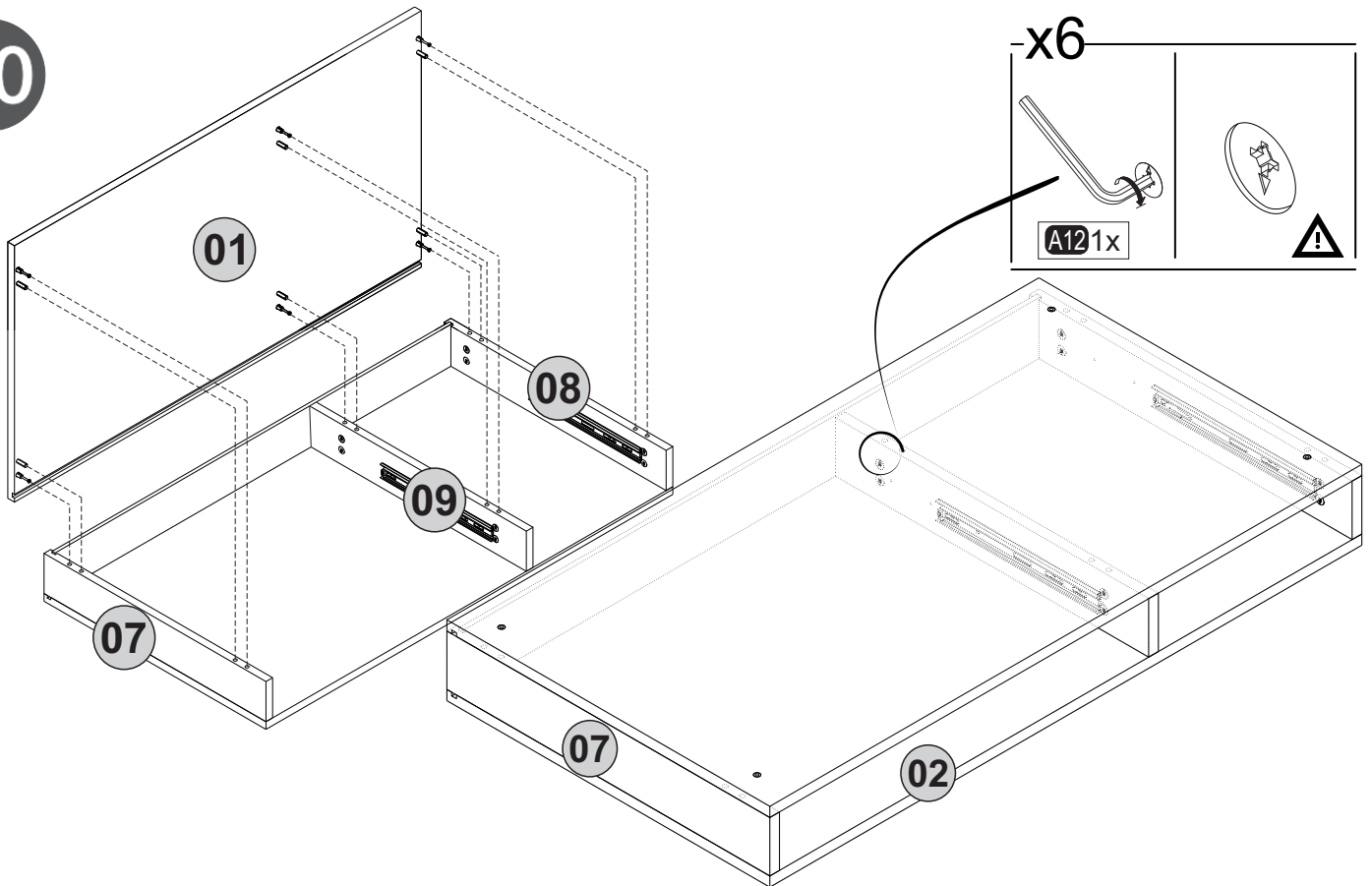
8



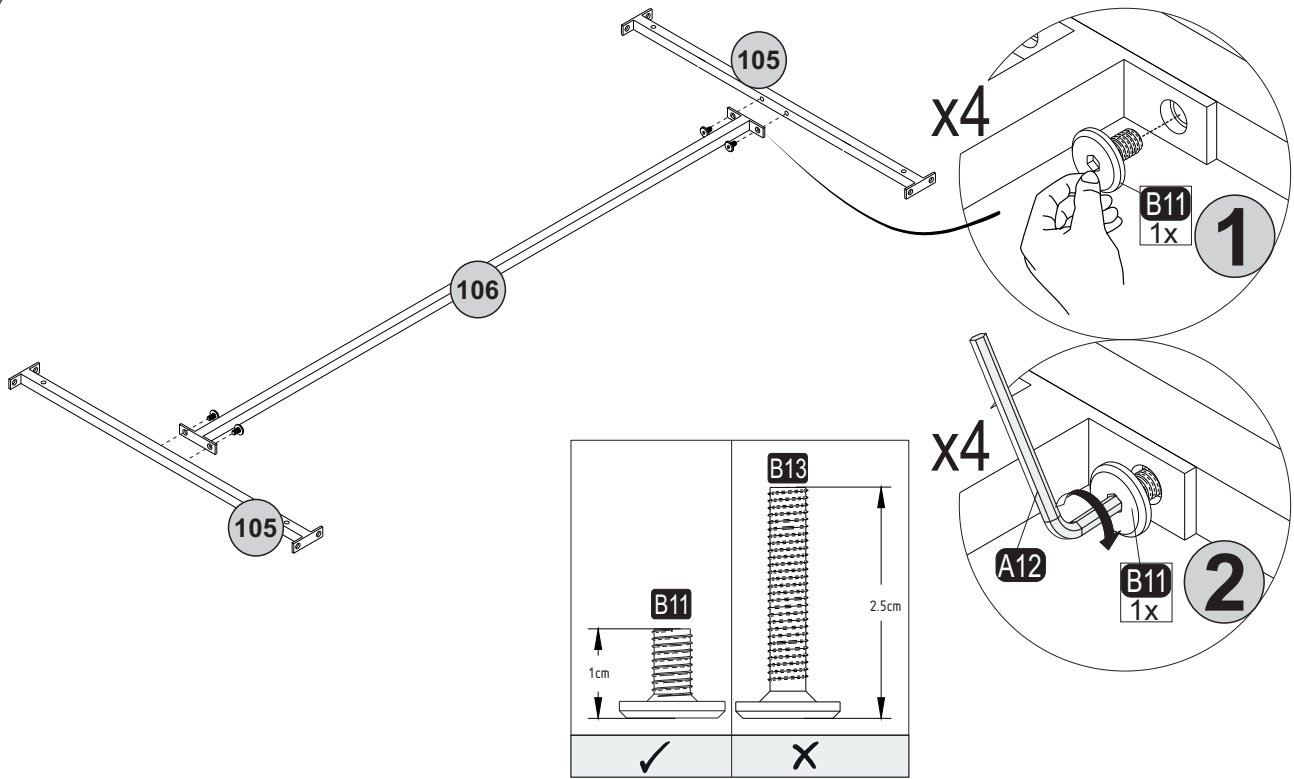
9



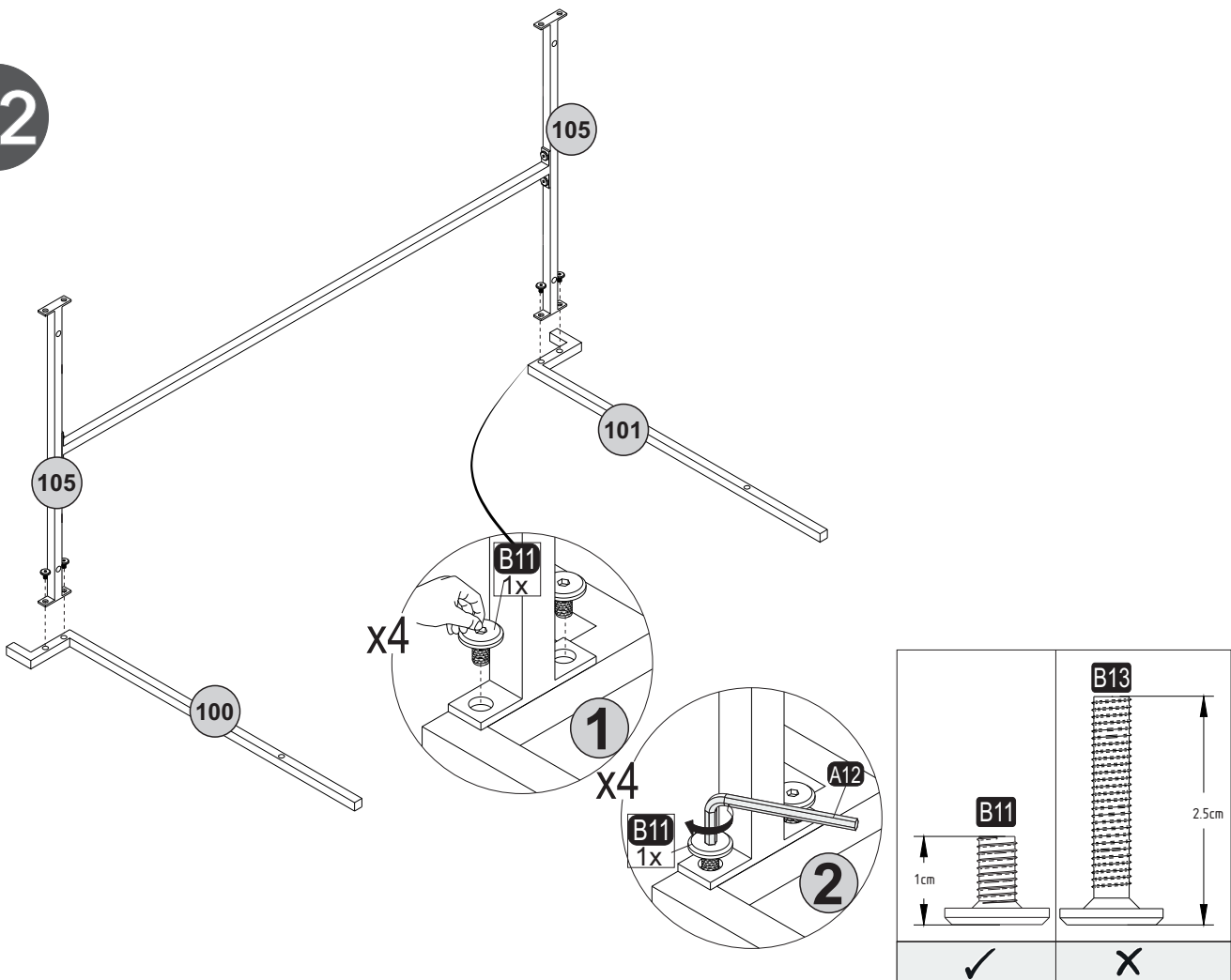
10



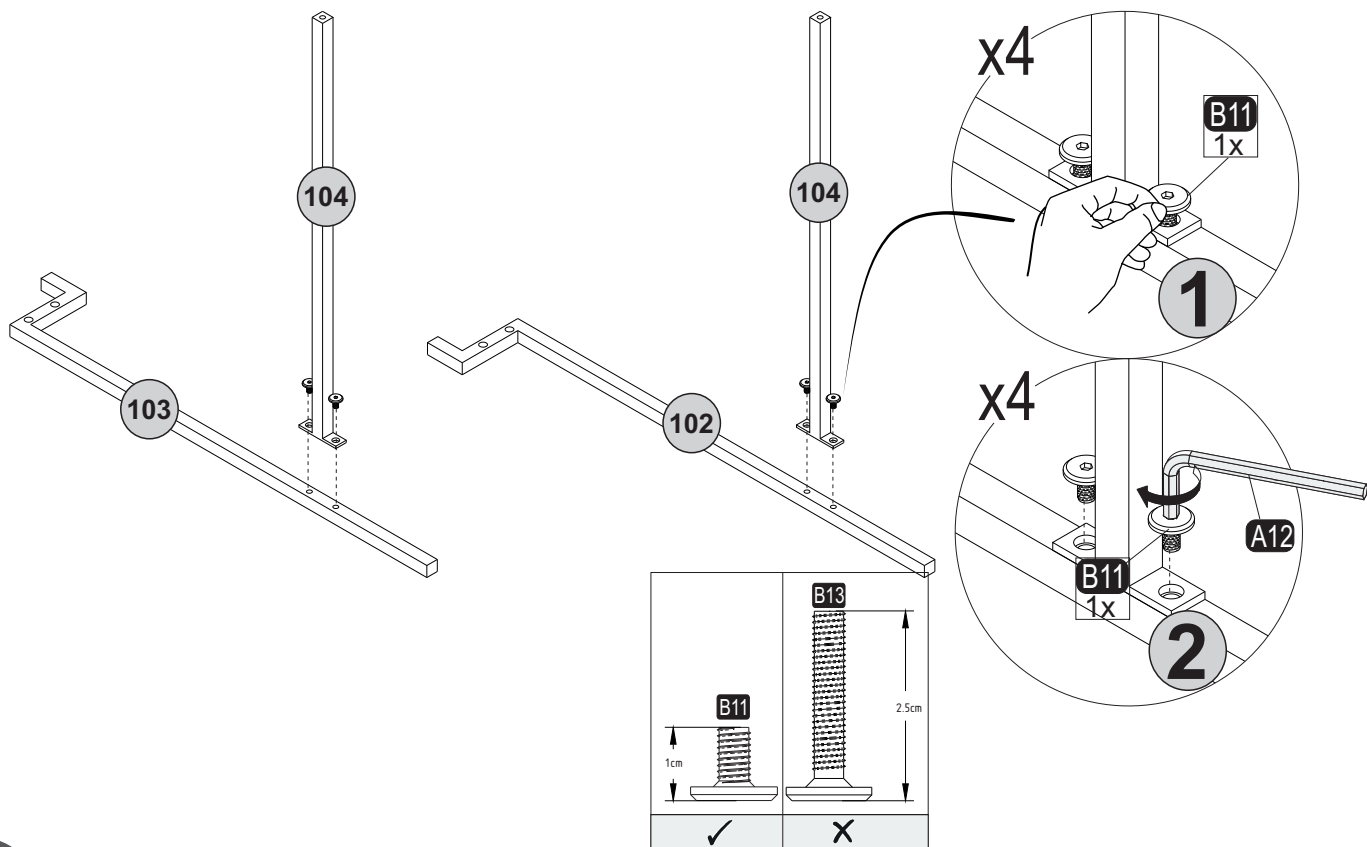
11



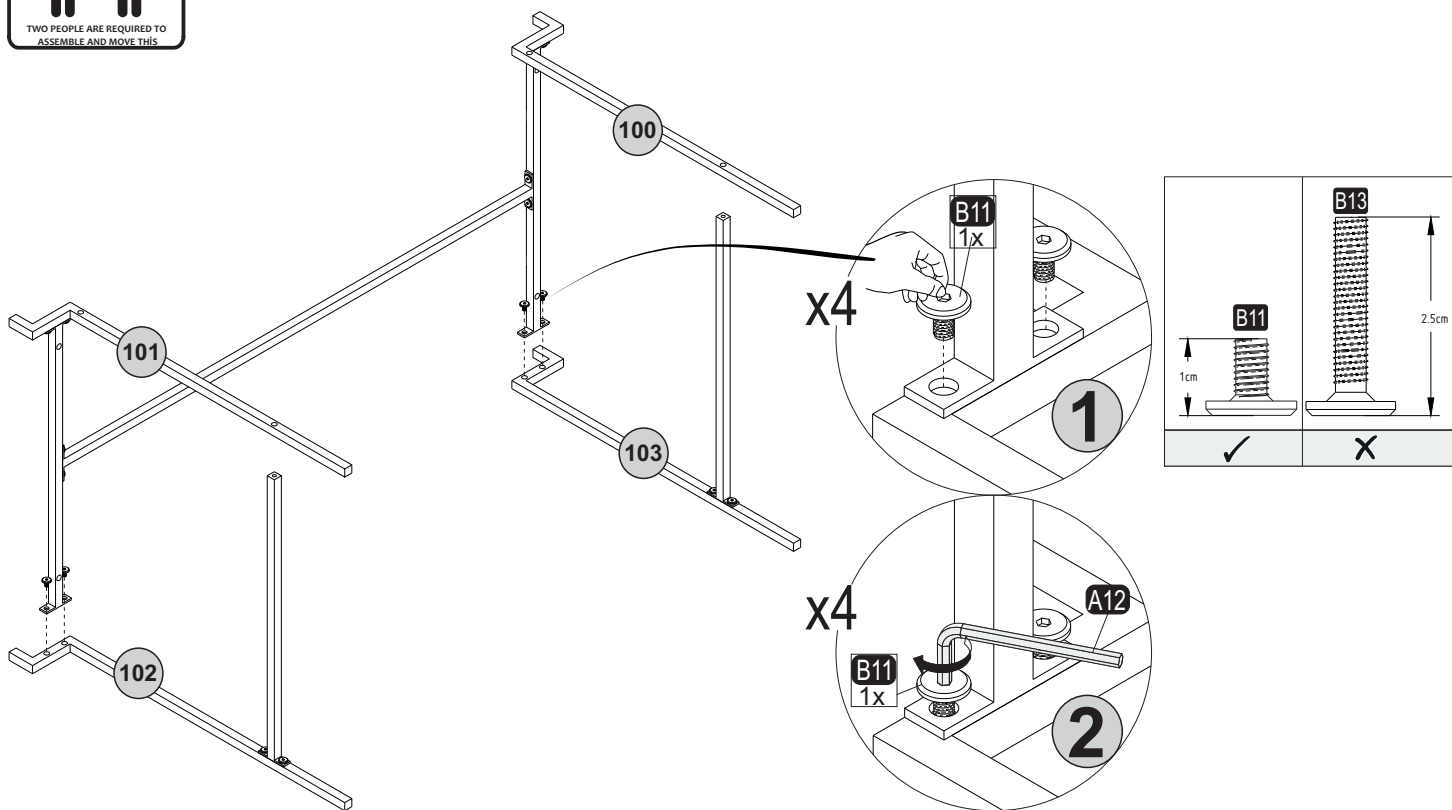
12



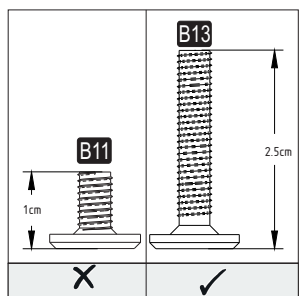
13



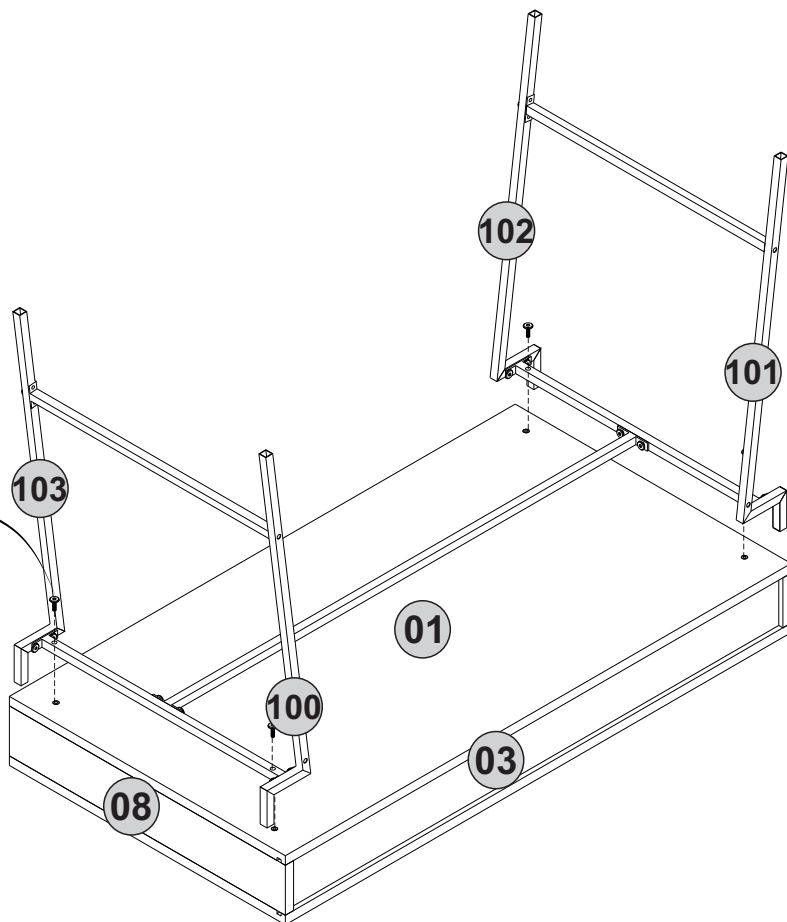
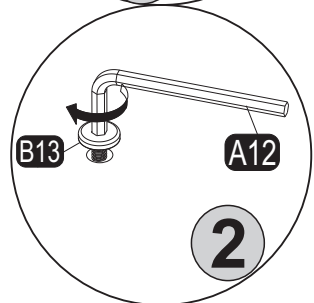
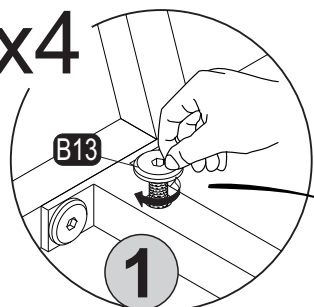
14



15

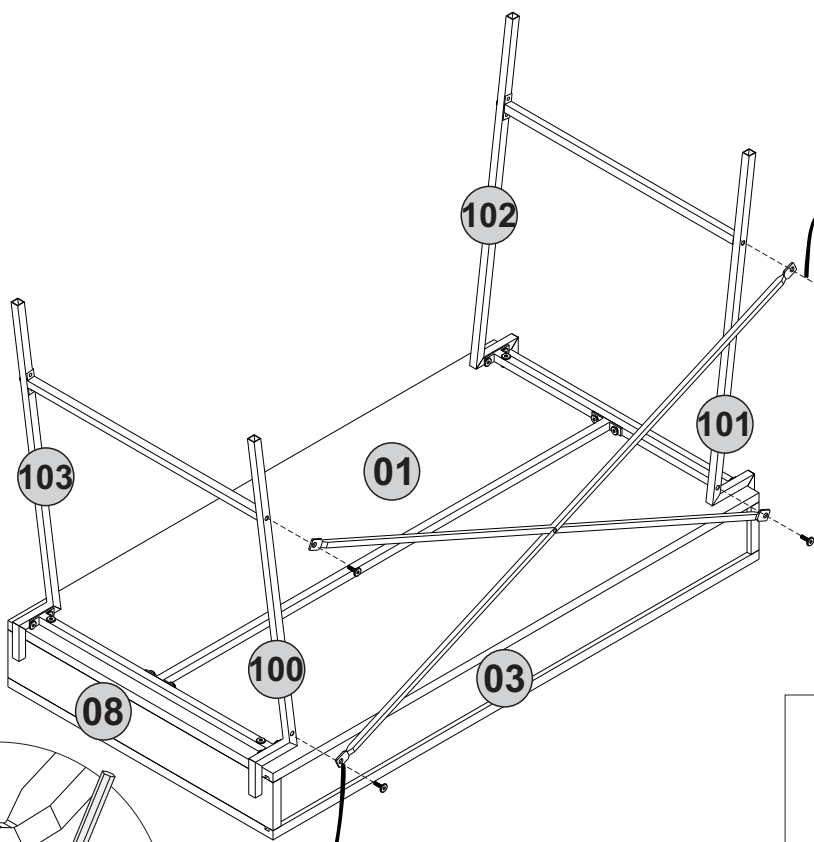
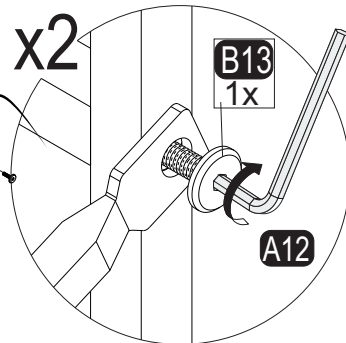


x4

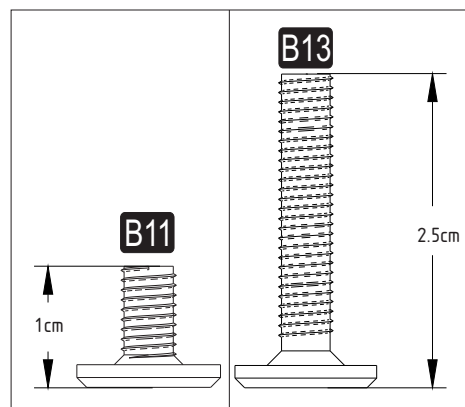
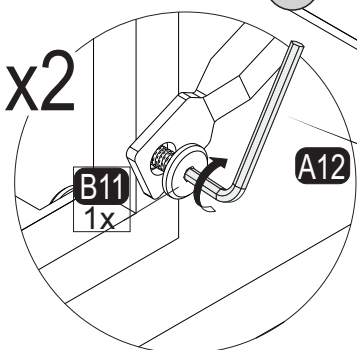


16

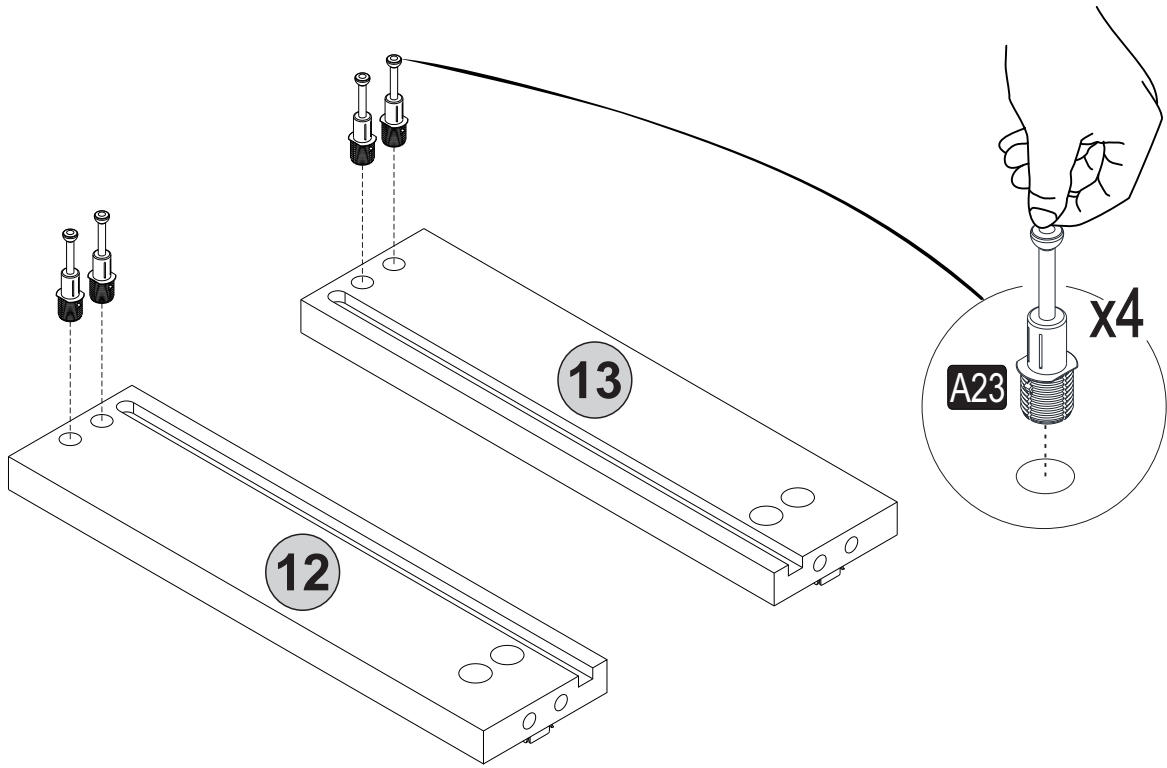
x2



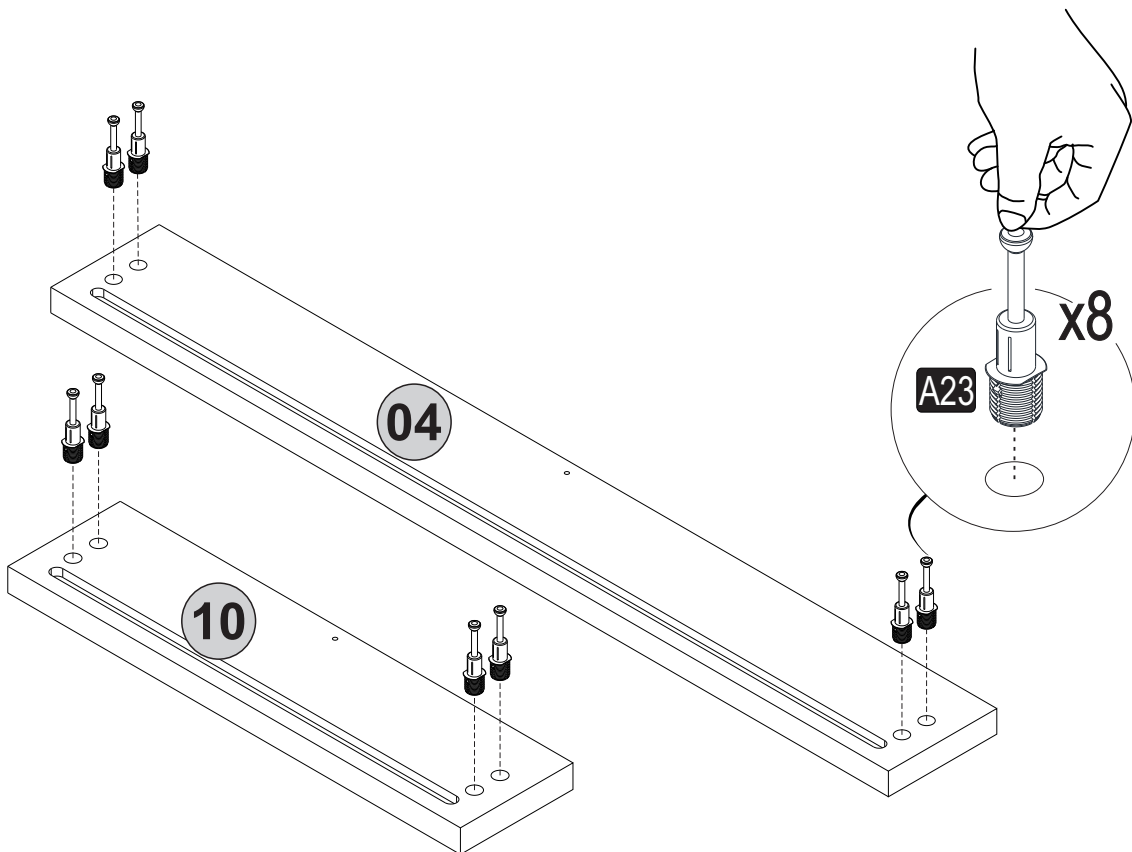
x2



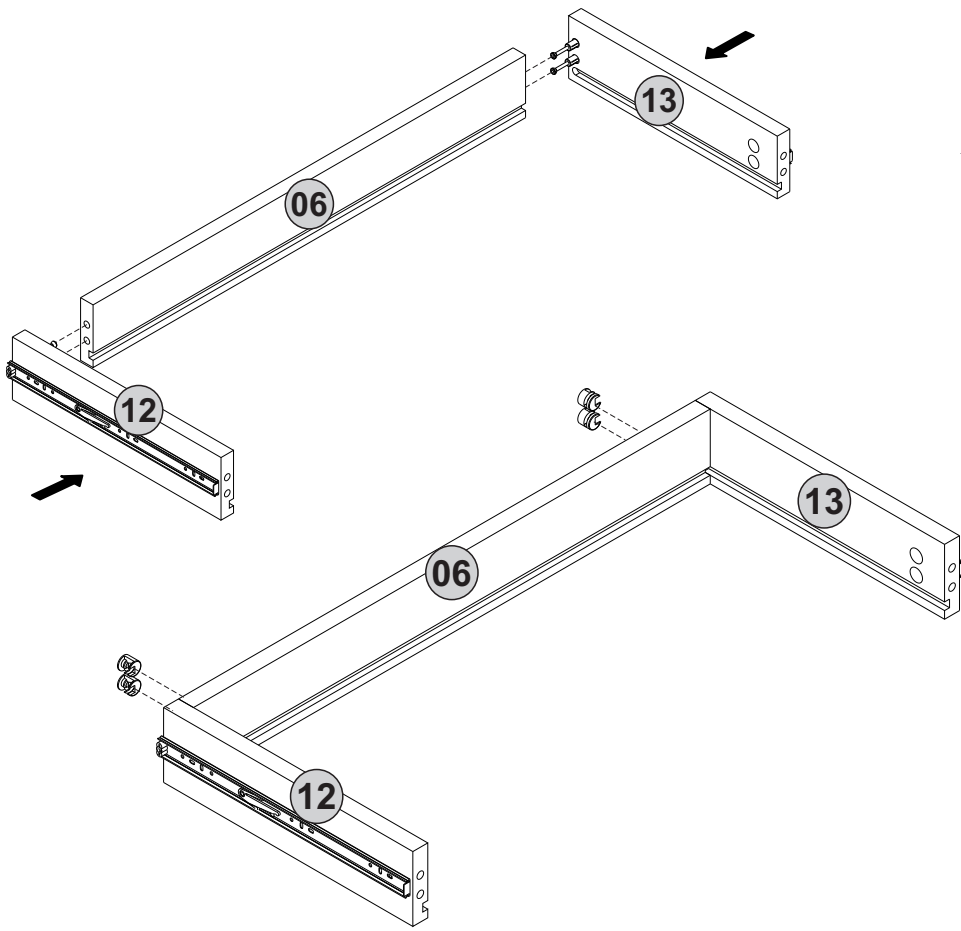
17 x2



18



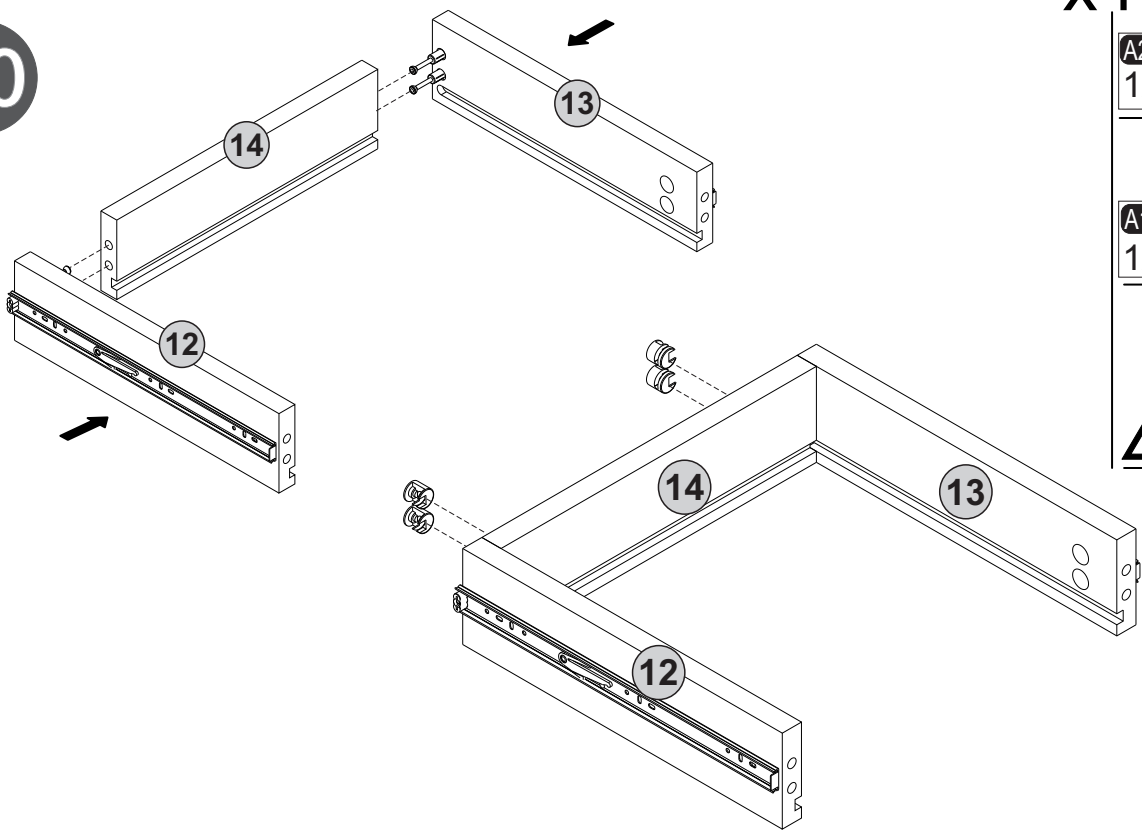
19



x4

A22 1x	
A12 1x	

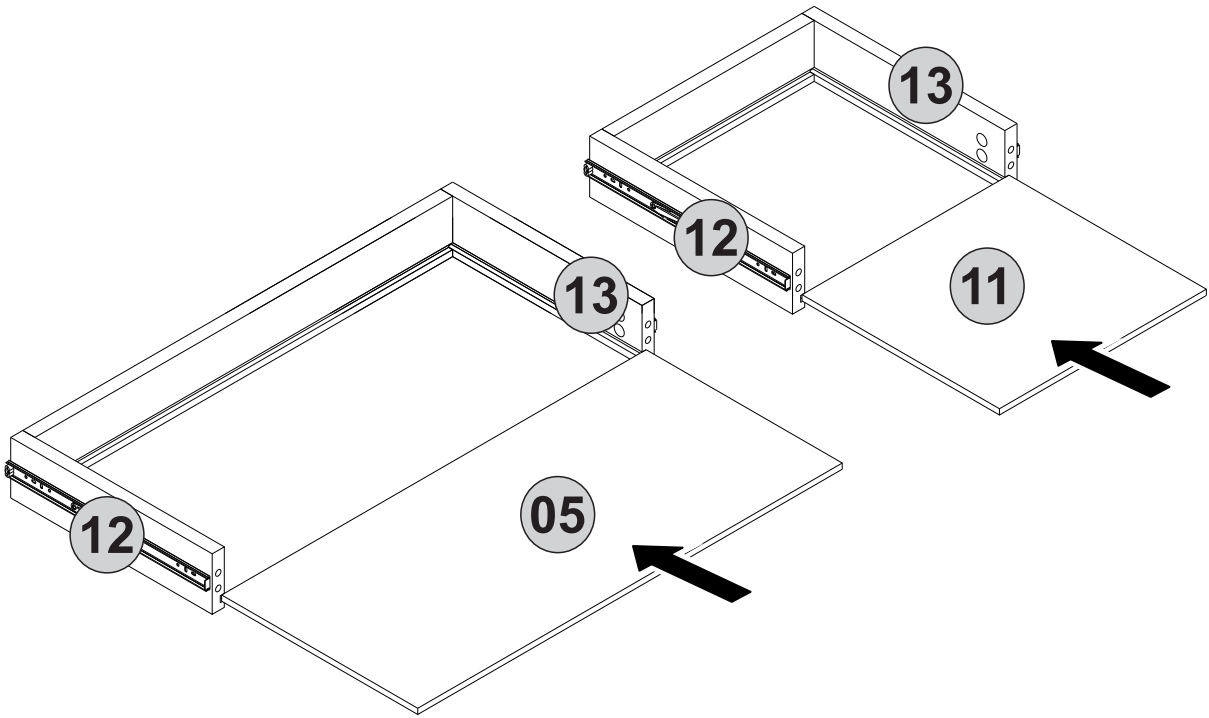
20



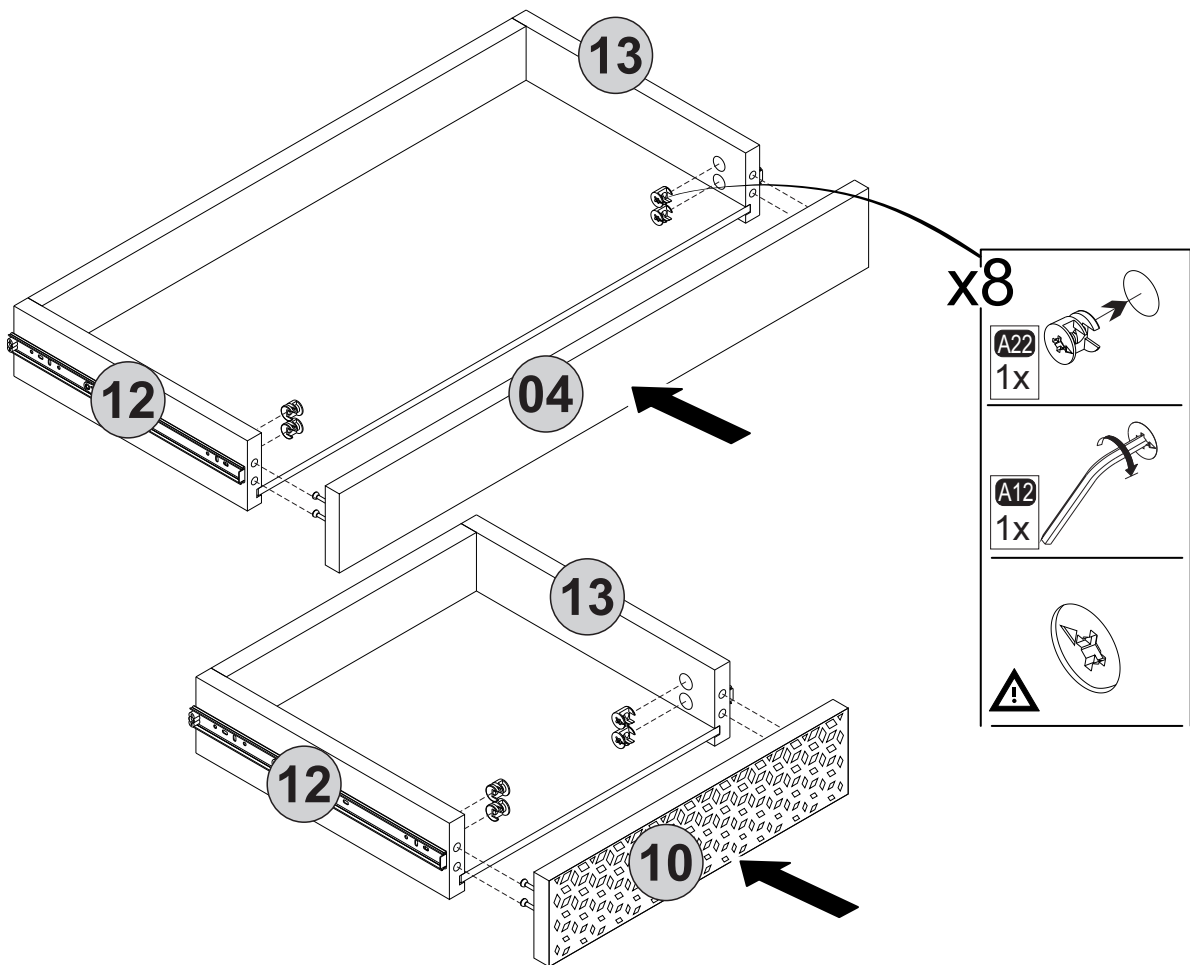
x4

A22 1x	
A12 1x	

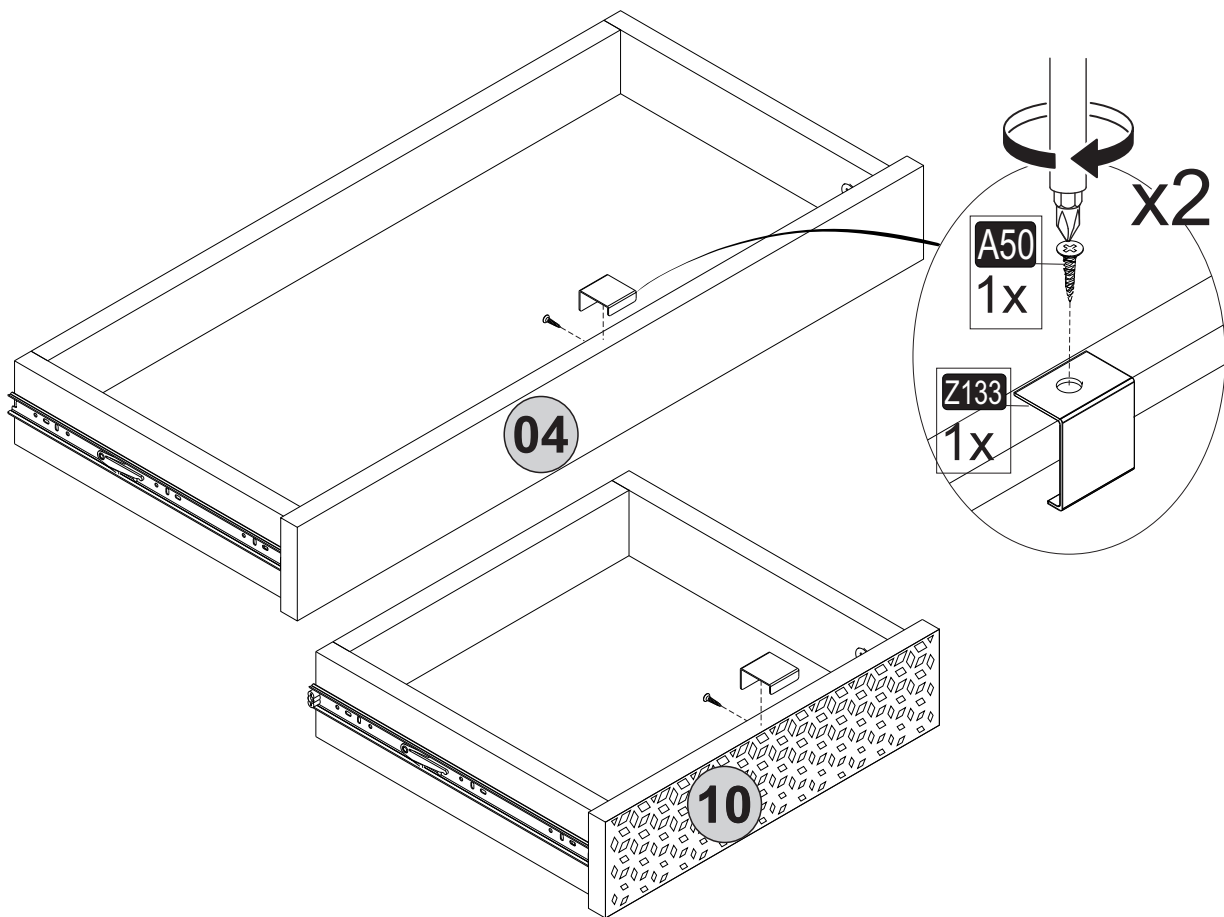
21



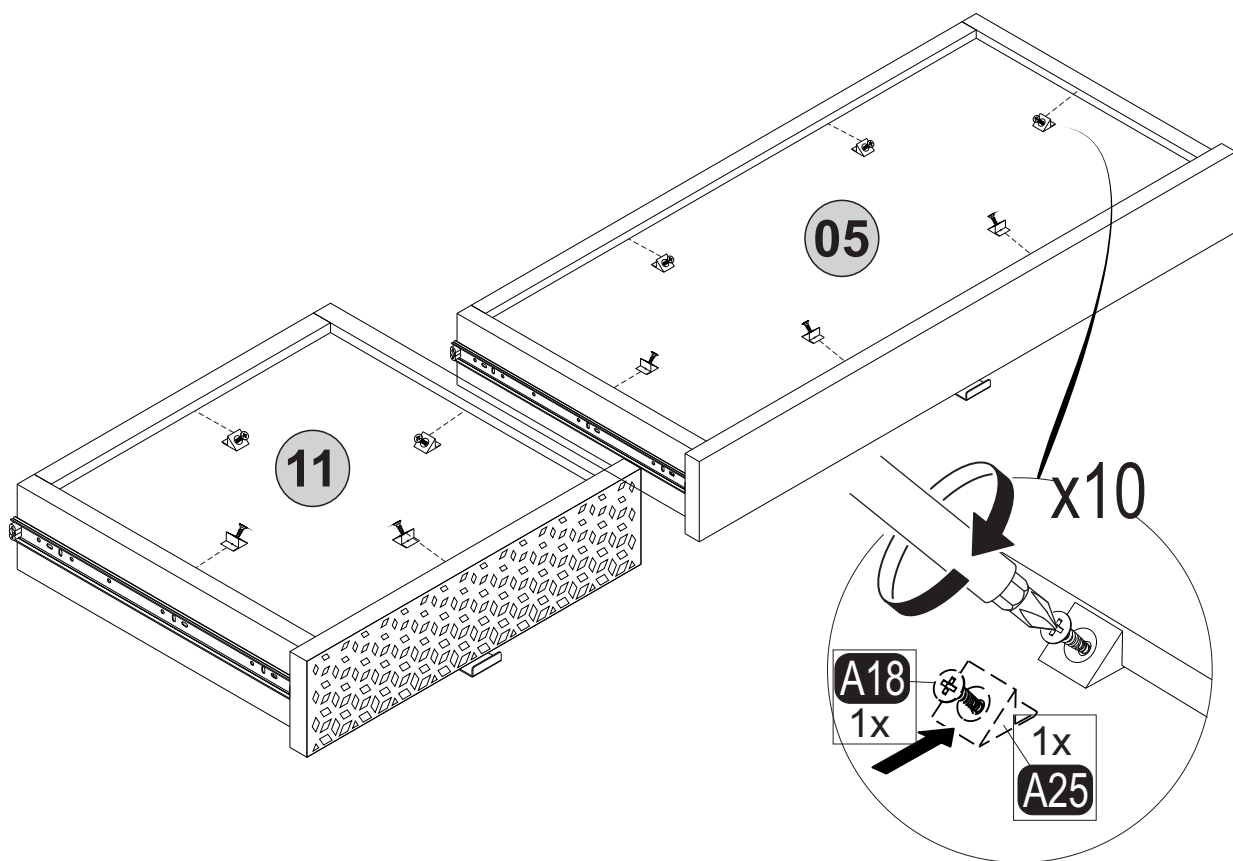
22



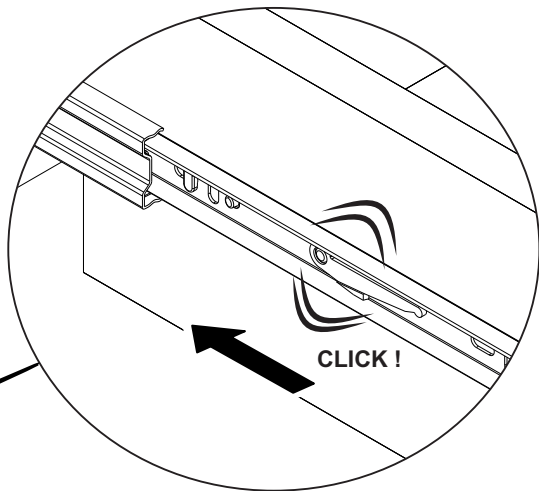
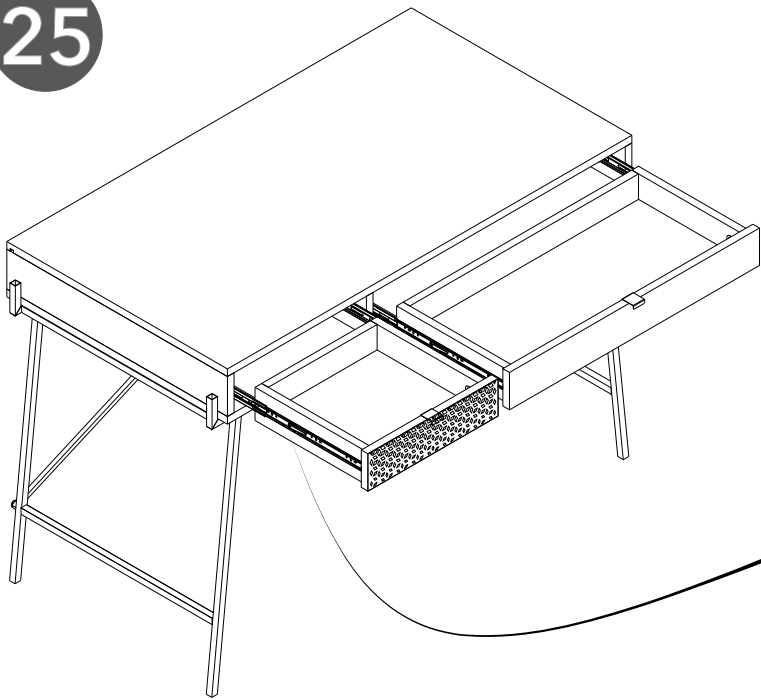
23



24



25



26

