
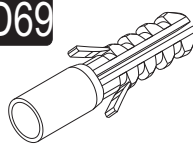

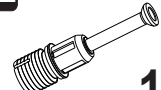

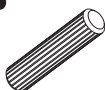
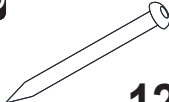
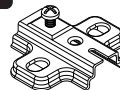

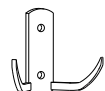


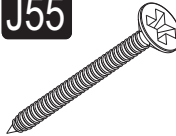
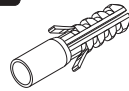

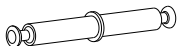
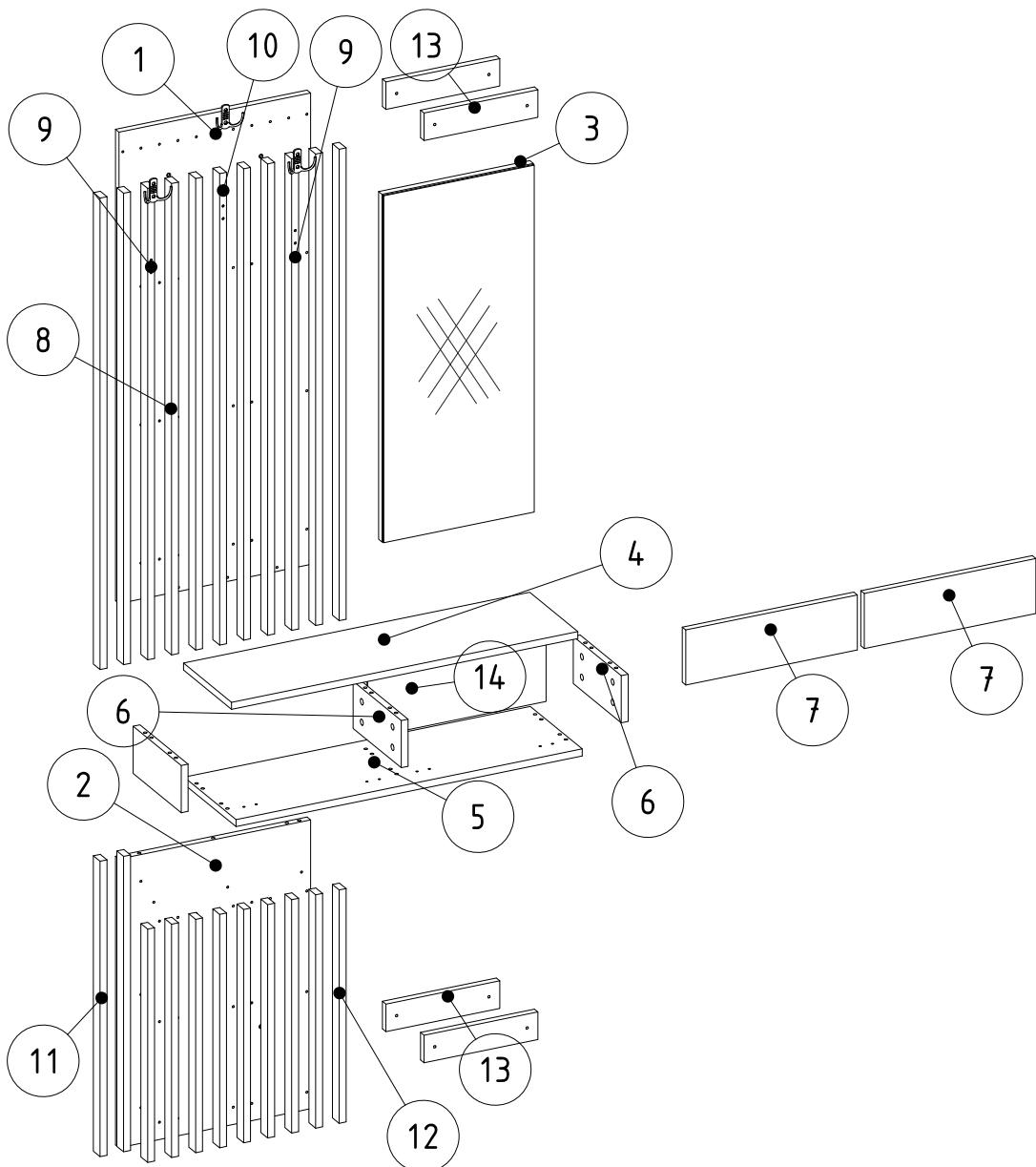


**i** GP042-0359,1

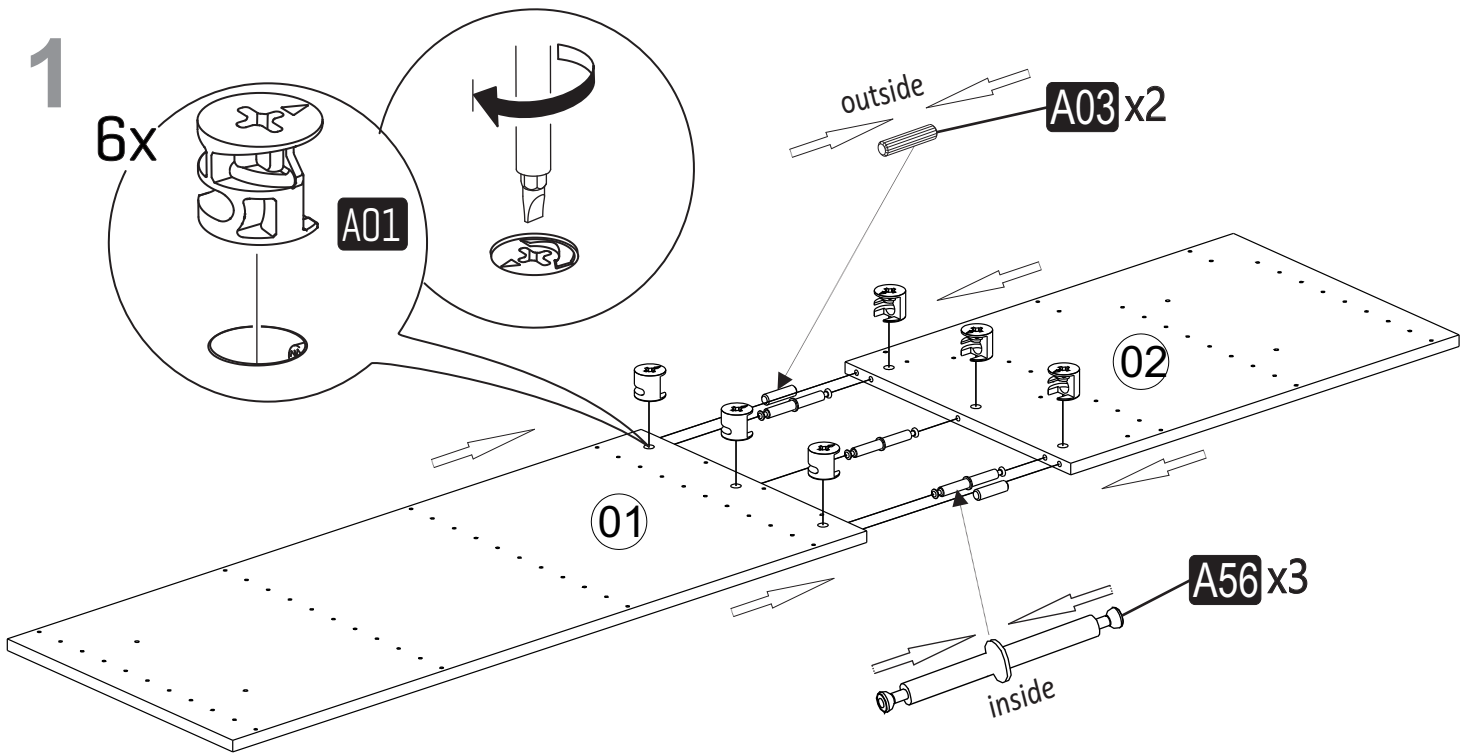


96,6 x 26,8 x 195,5cm

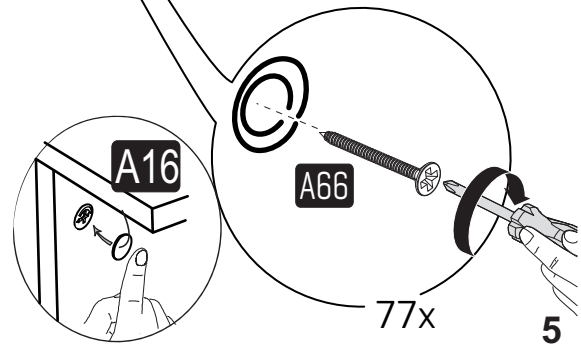
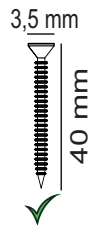
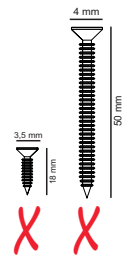
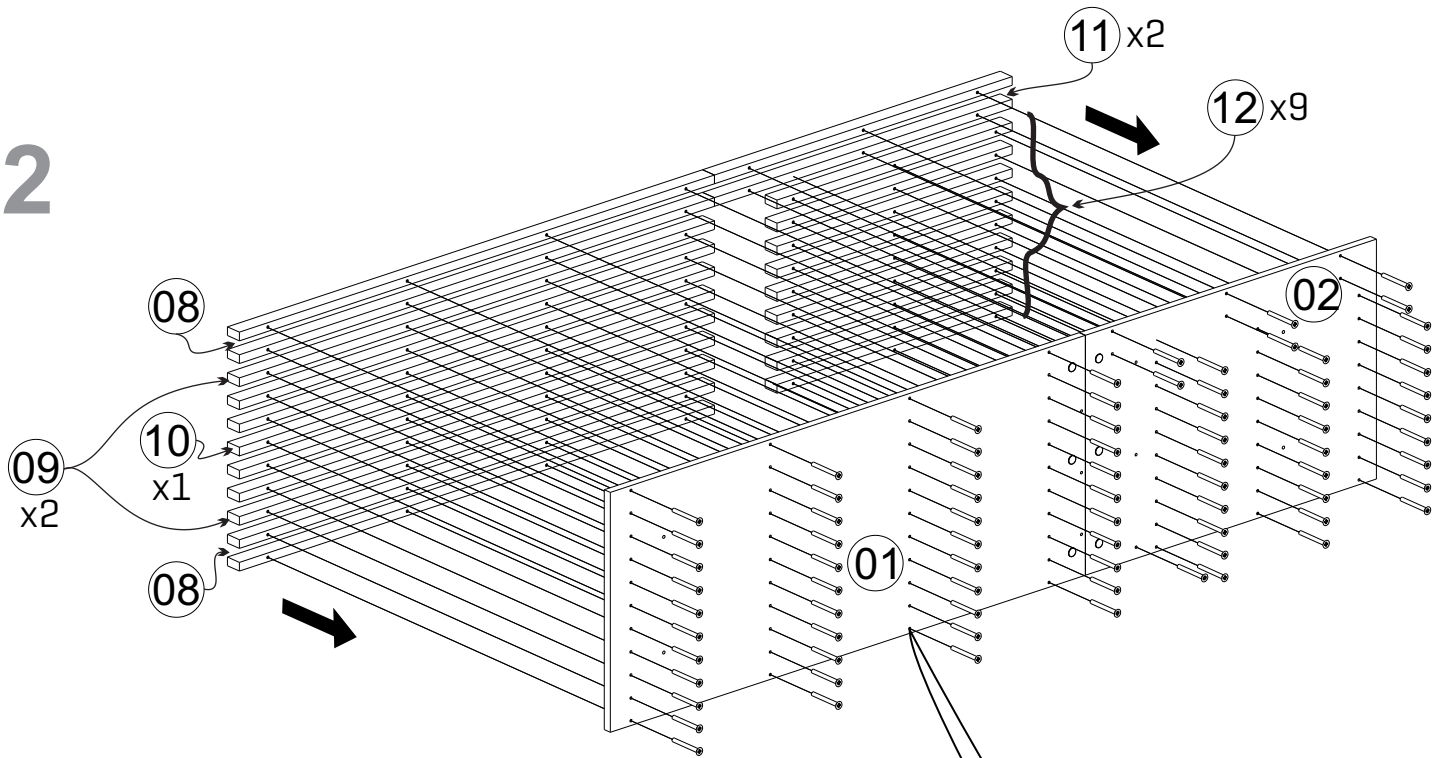
<b>A09</b> 4x50 YHB  <b>8x</b>	<b>D69</b> Ø8  <b>4x</b>	<b>A01</b>  <b>18x</b>	<b>A02</b>  <b>12x</b>	<b>A10</b> 3,5x18  <b>22x</b>
<b>A03</b>  <b>14x</b>	<b>A28</b>  <b>12x</b>	<b>A13</b>  <b>4x</b>	<b>A11</b>  <b>4x</b>	<b>J54</b> SYH  <b>3x</b>
<b>A04</b>  <b>A 18x</b>	<b>A16</b>  <b>A 87x</b>	<b>J55</b> 5x100  <b>4x</b>	<b>A08</b> Ø8  <b>2x</b>	<b>A66</b> 3,5x40  <b>77x</b>
<b>A56</b> (Sgml)  <b>7x68 mm 3x</b>				



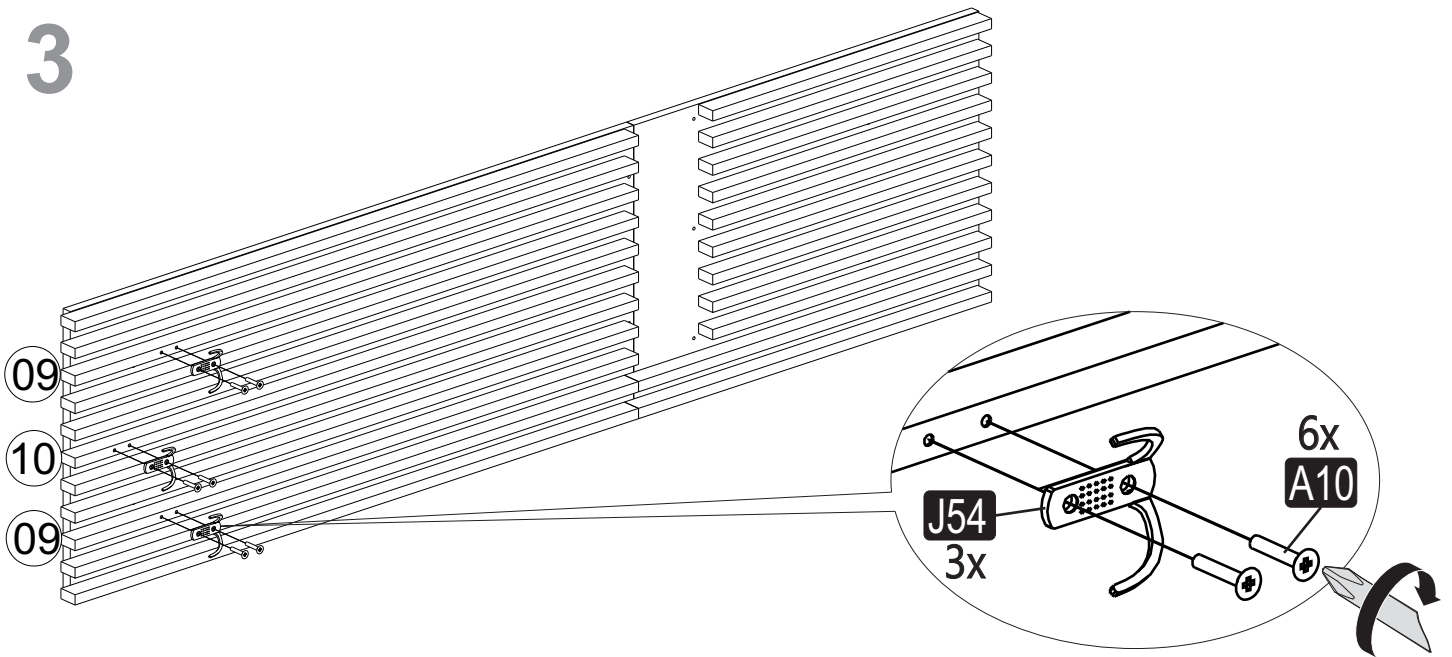
1



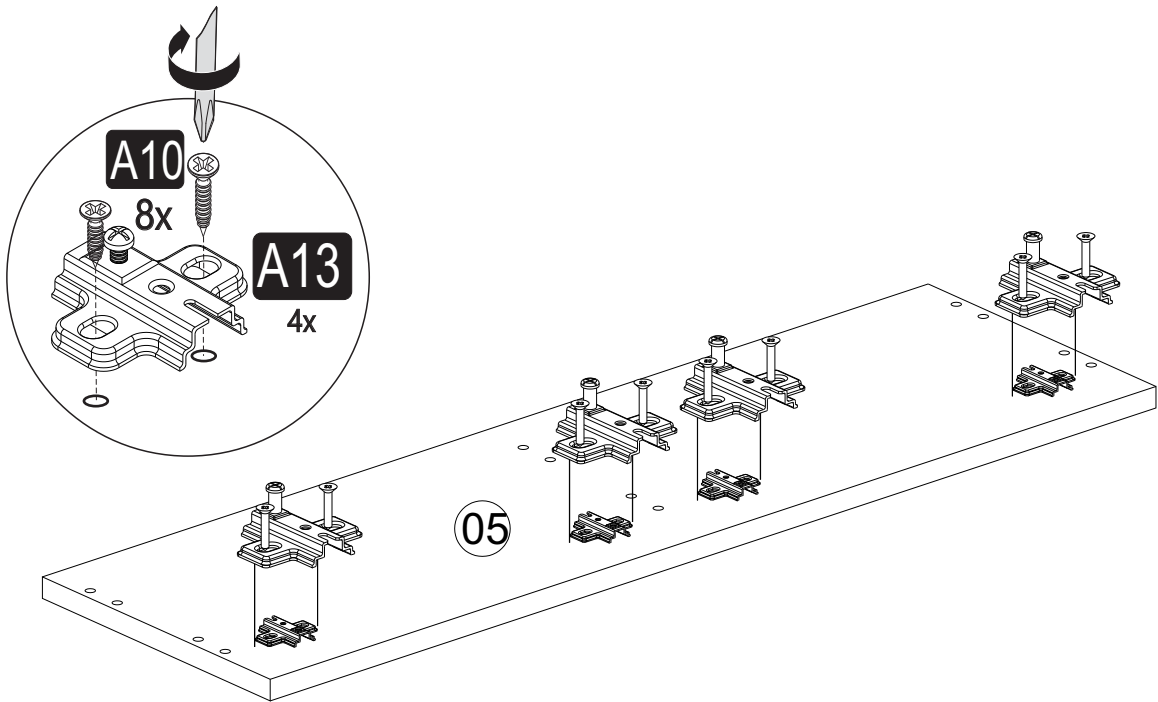
2



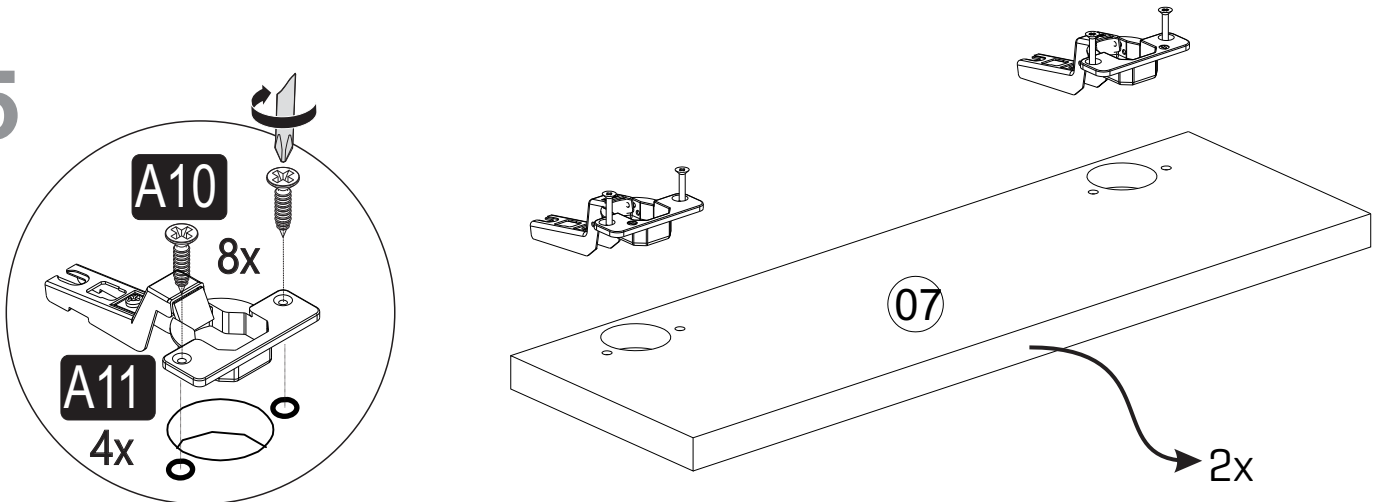
3



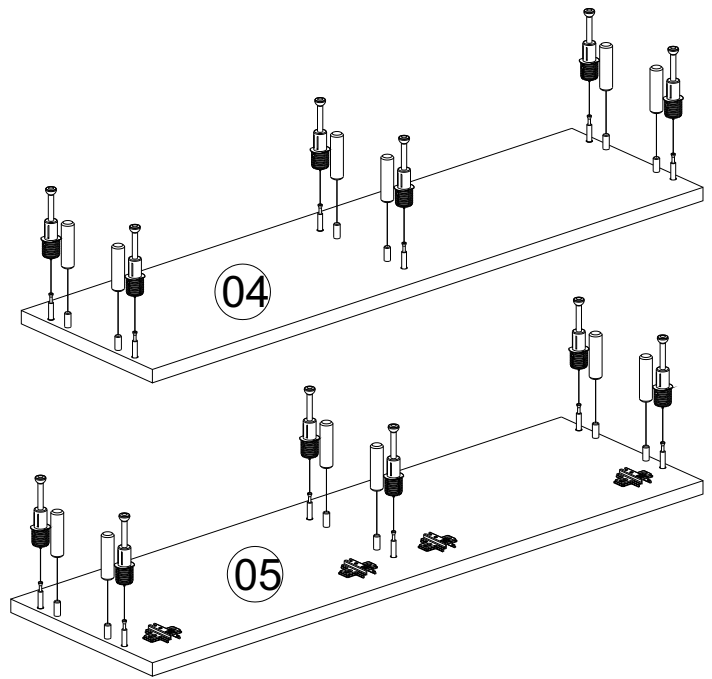
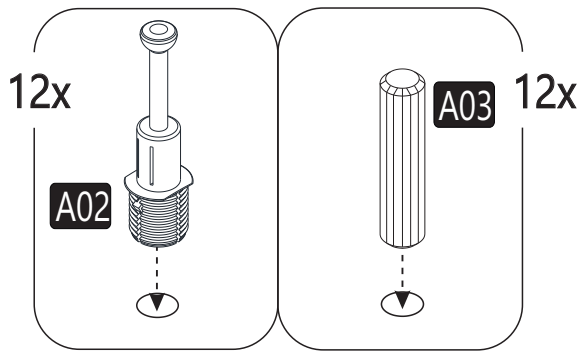
4



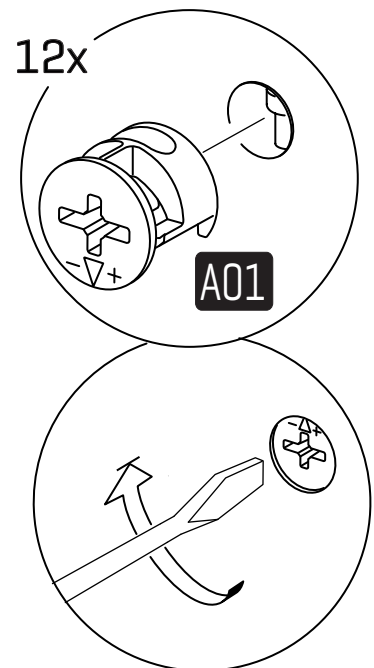
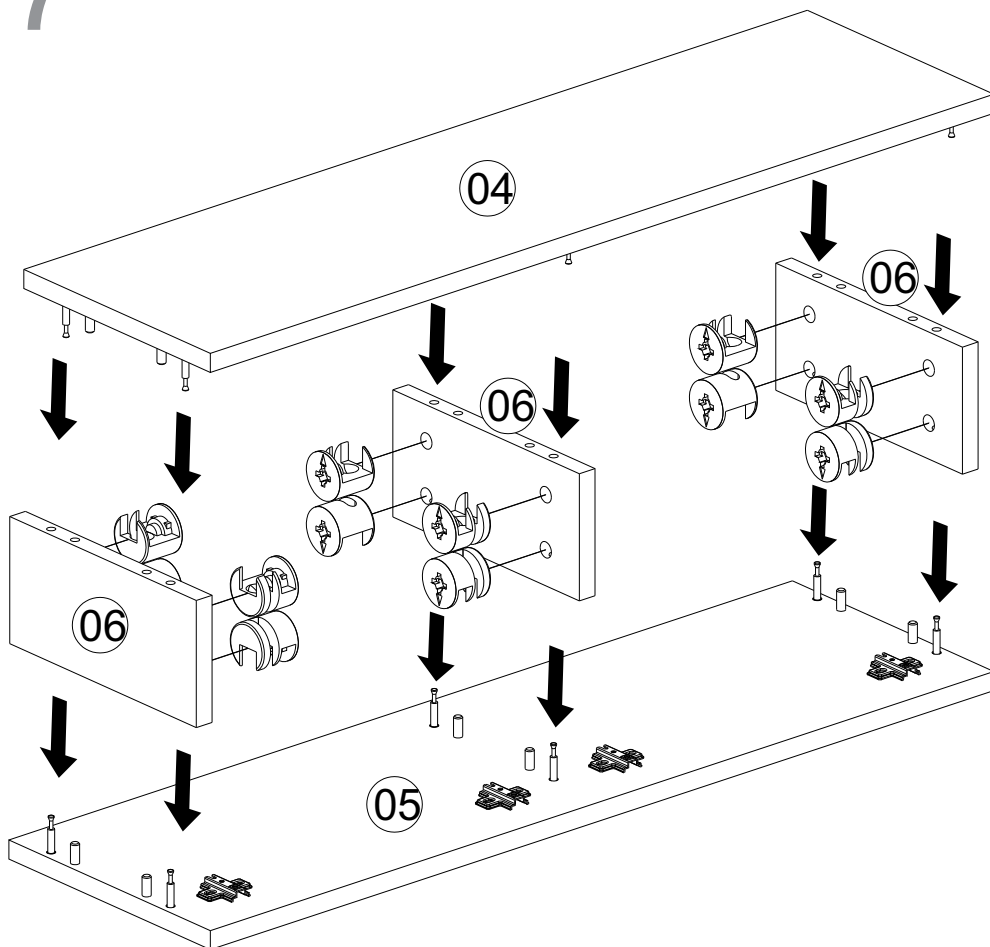
5

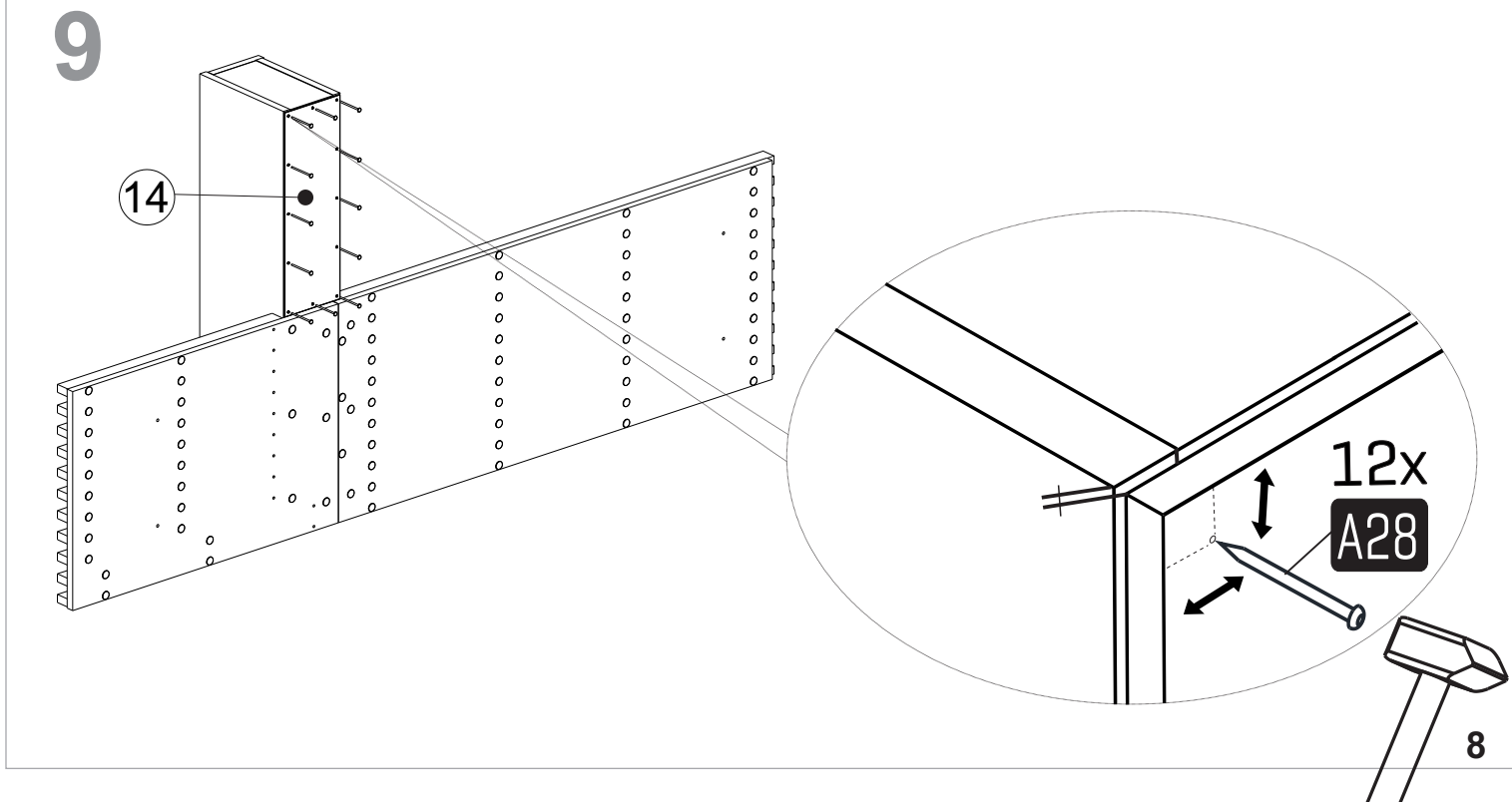
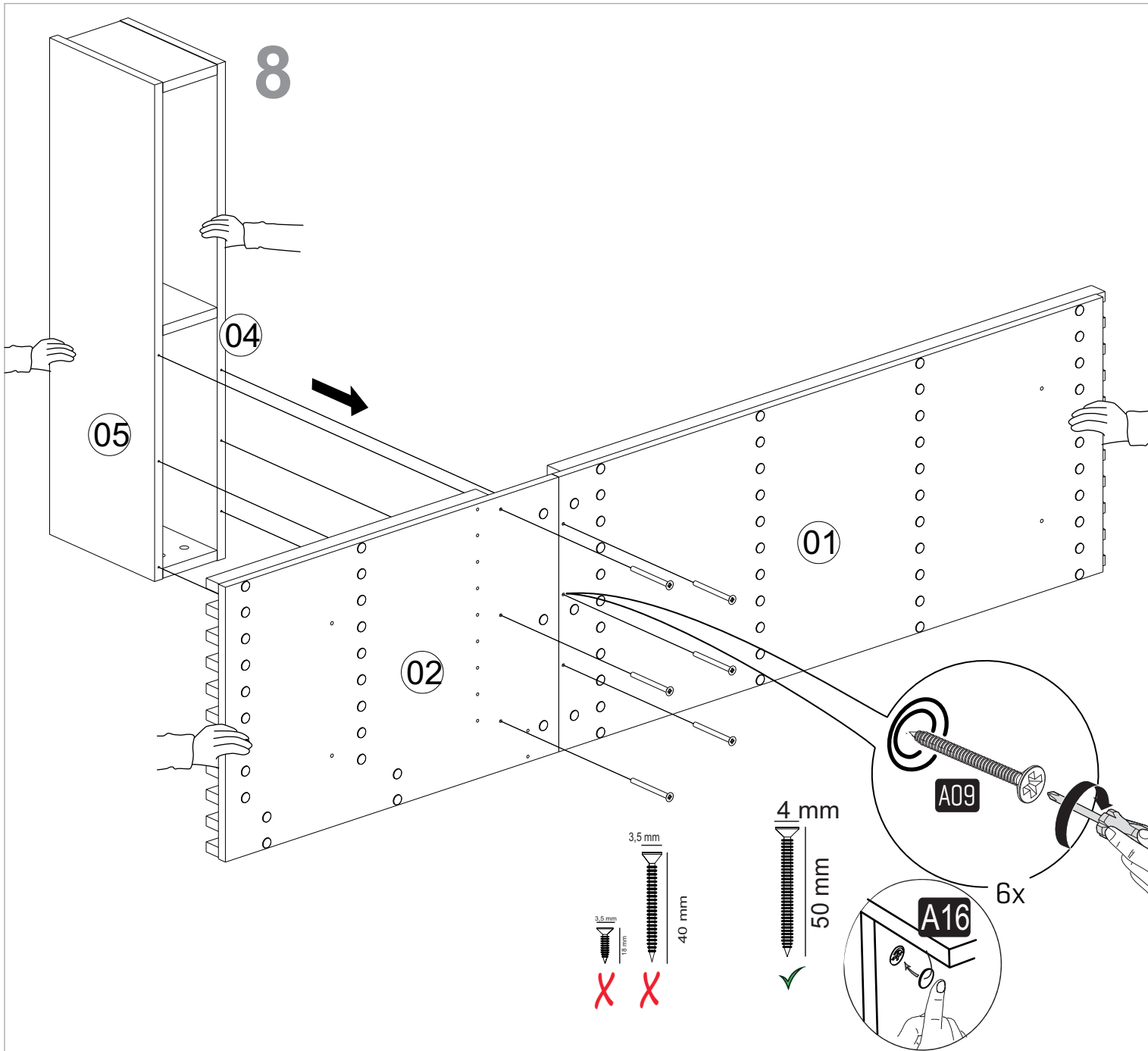


# 6

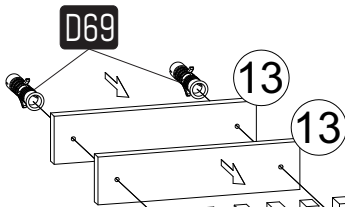
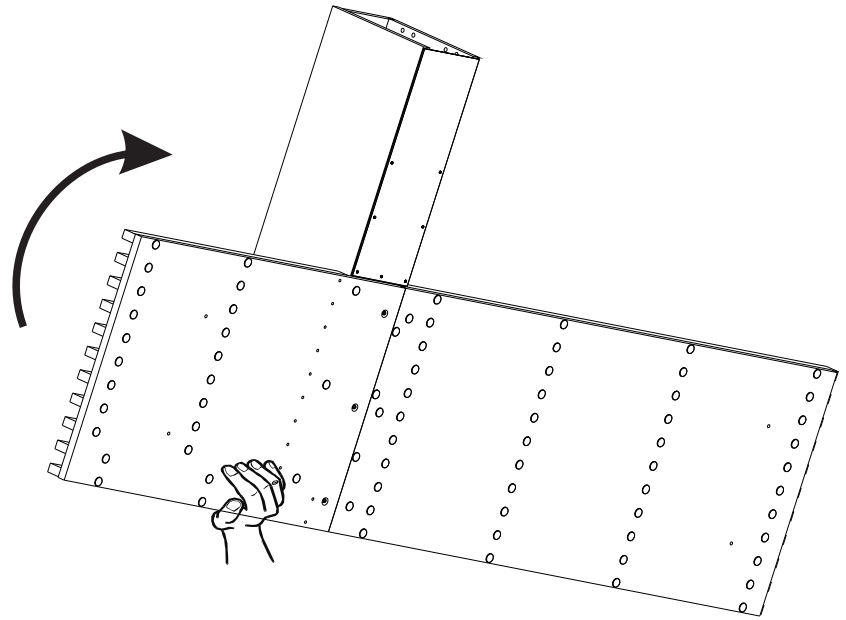


# 7

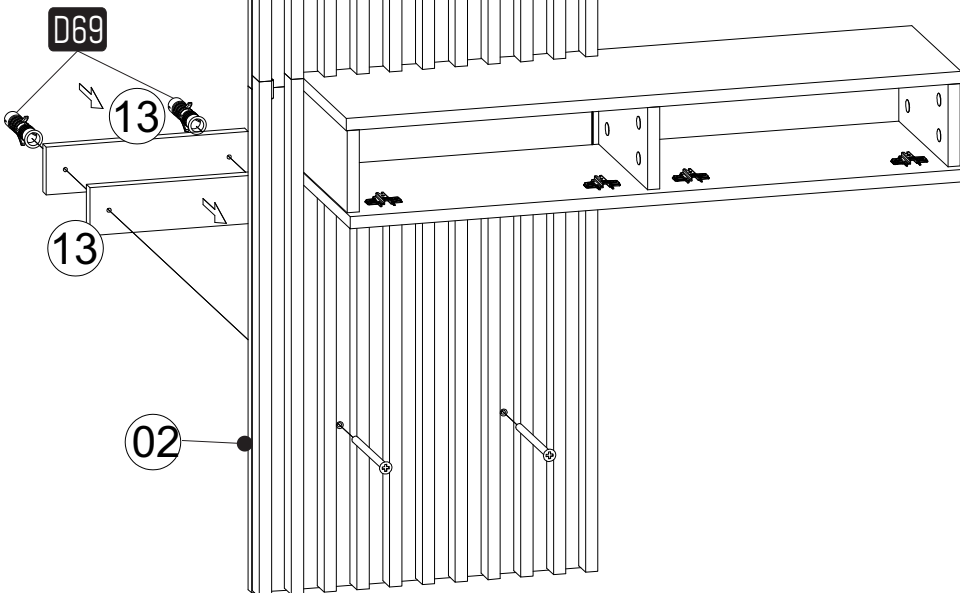
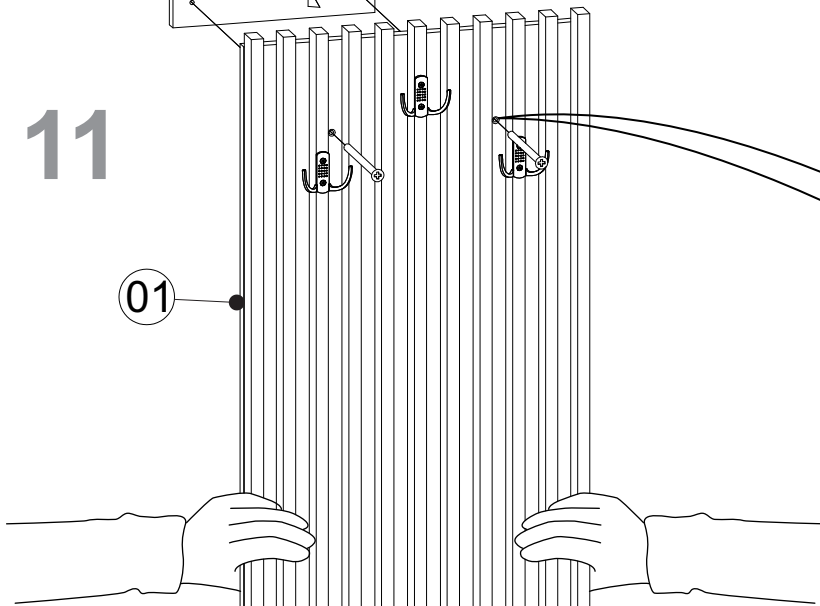




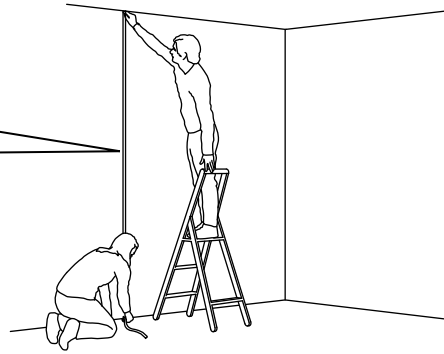
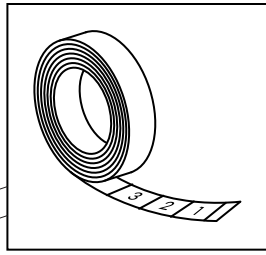
# 10



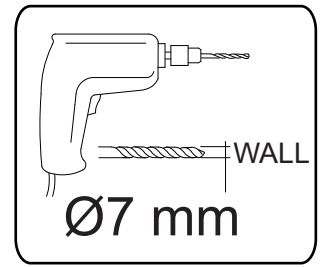
# 11



# 12

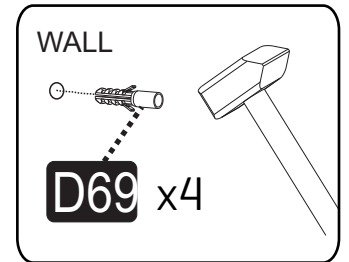


## PART-1



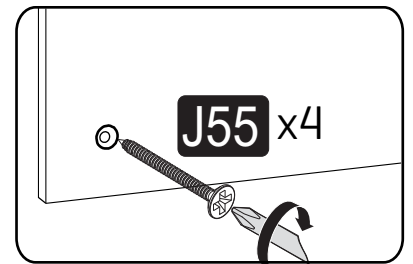
Ø7 mm

## PART-2



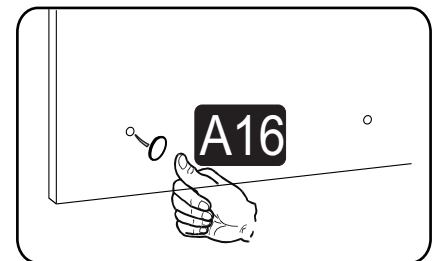
D69 x4

## PART-3

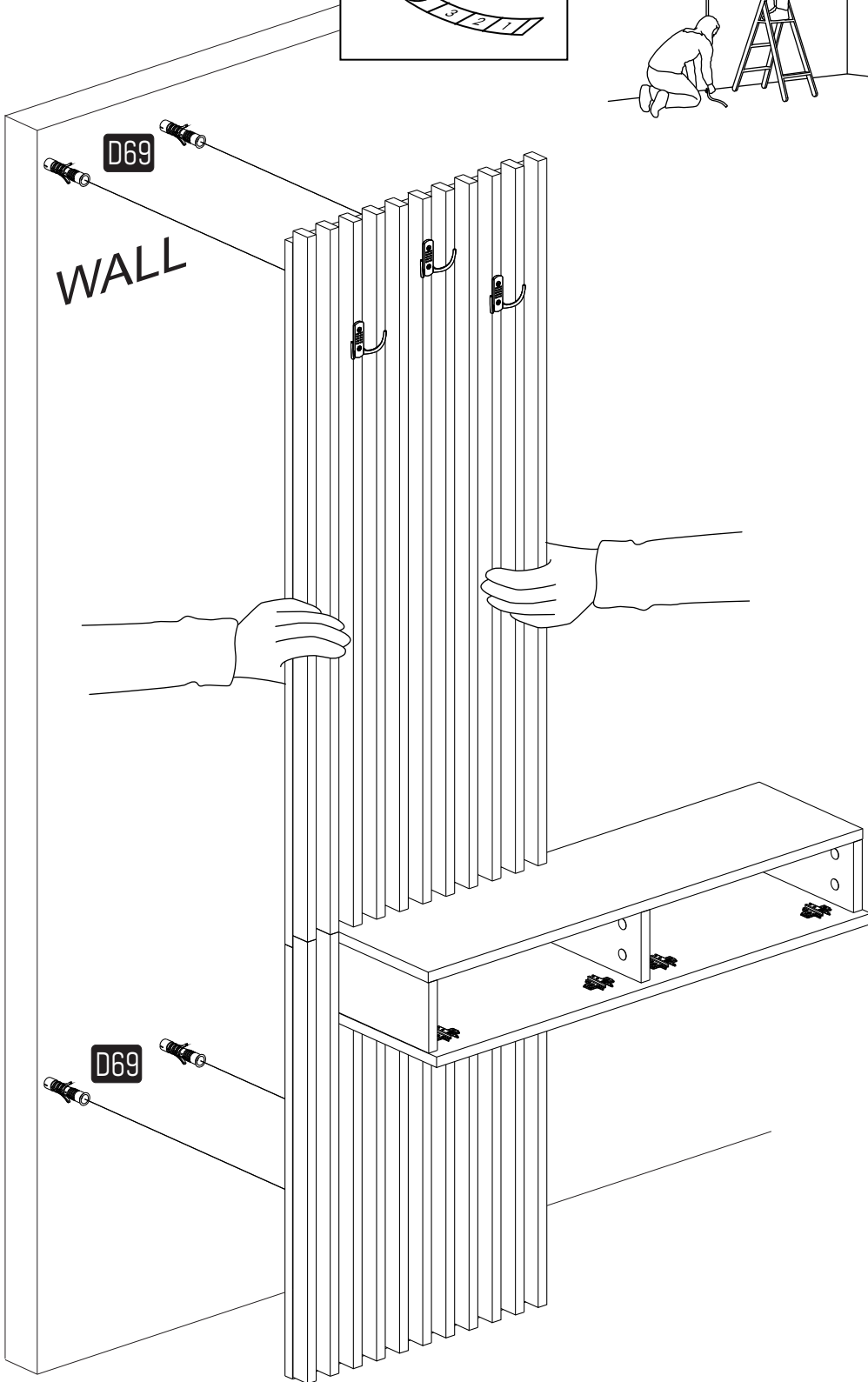


J55 x4

## PART-4

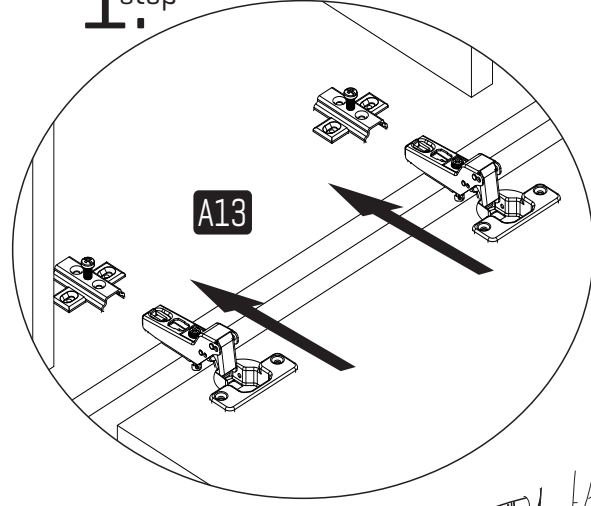
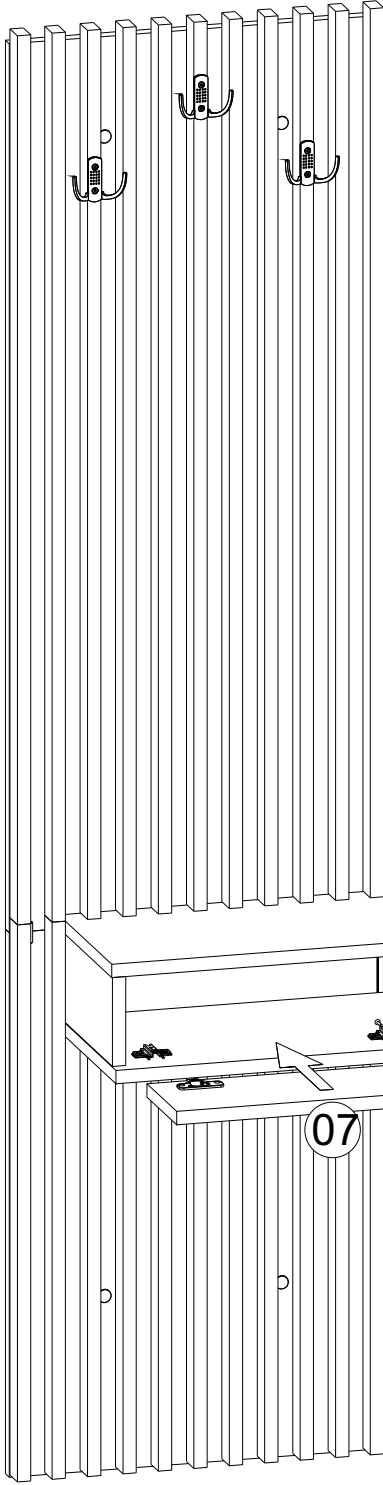


A16



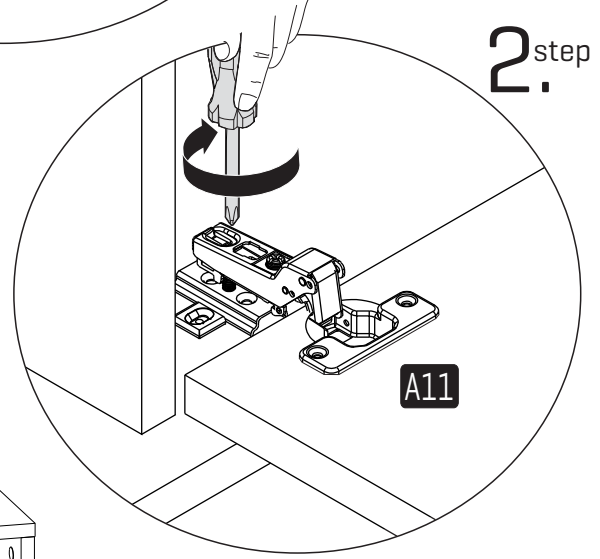
# 13

## 1. step

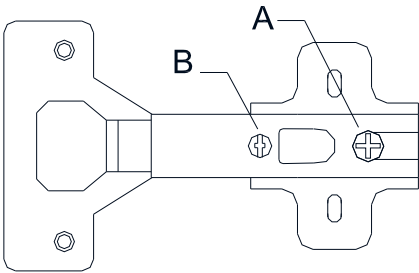


A13

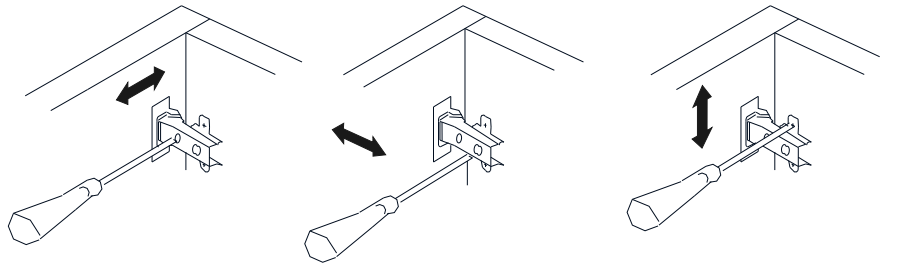
## 2. step



A11



A= menteşe bağlama vidası / to connect the hinge to the door  
B= kapak ayar vidası / to arrange the door



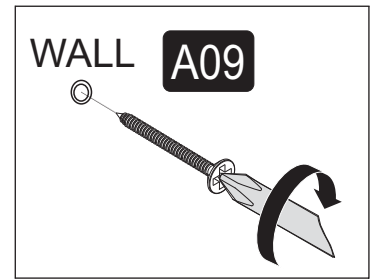
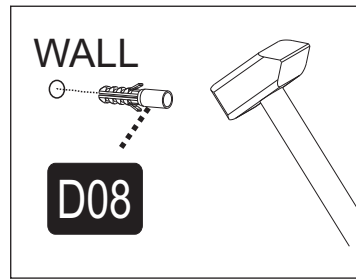
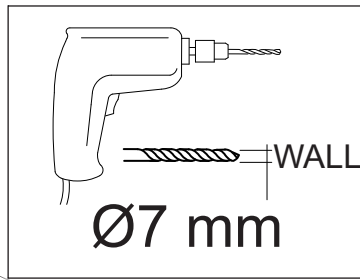
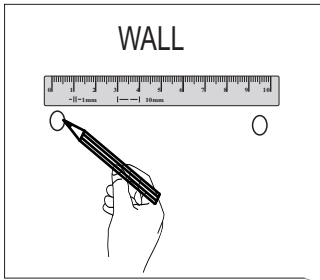
oklar kapağın ayarlama yönünü gösterir.  
arrows to show the directions for arrangement of doors.

PART-1

PART-2

PART-3

PART-4



PART-5

