
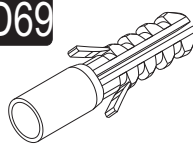

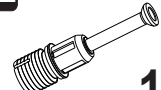

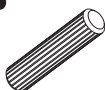
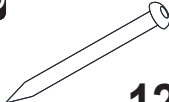
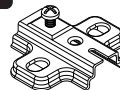

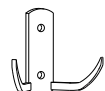


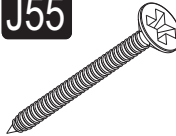
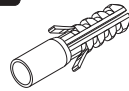

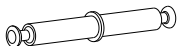
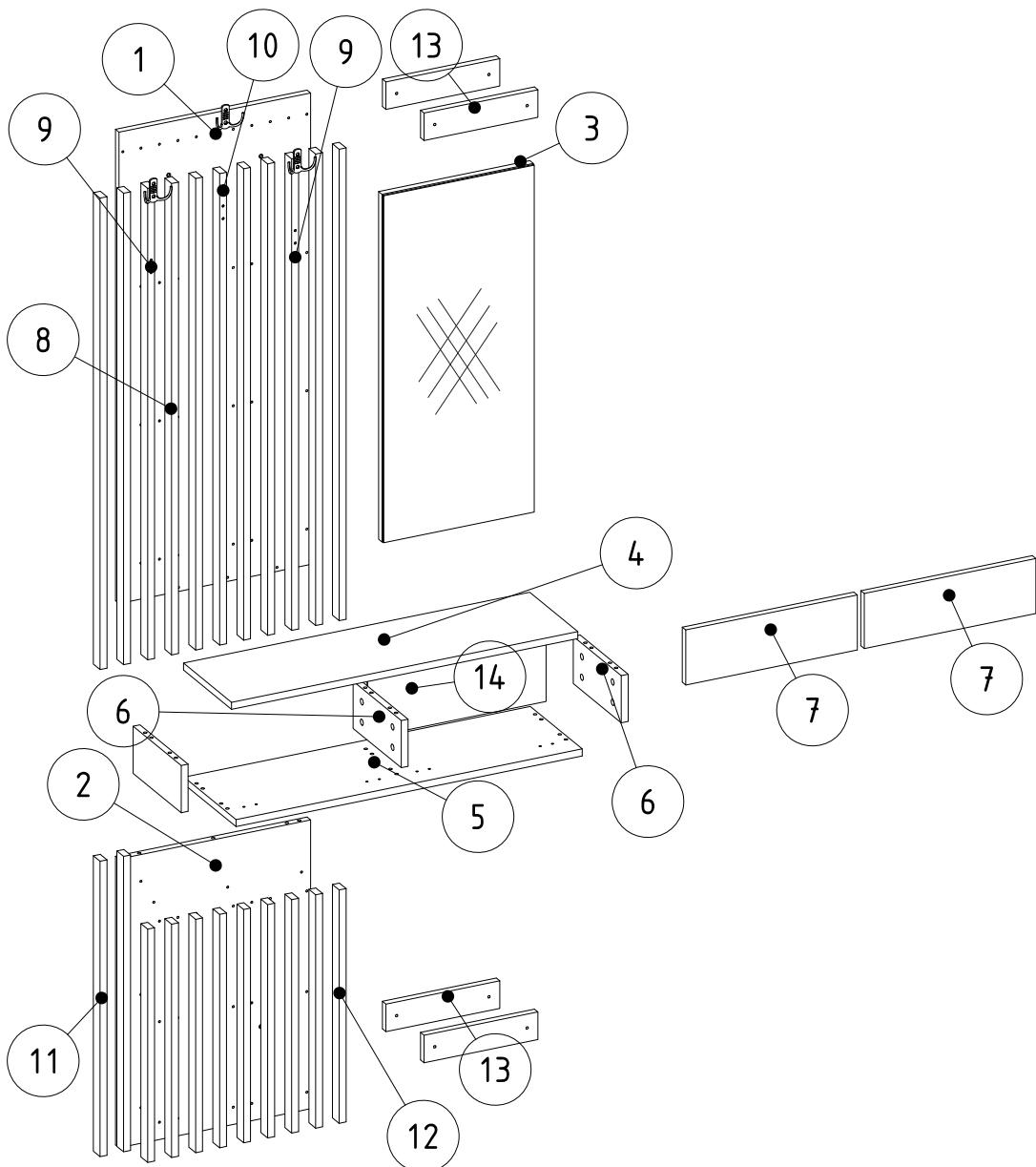


i GP042-0359,2

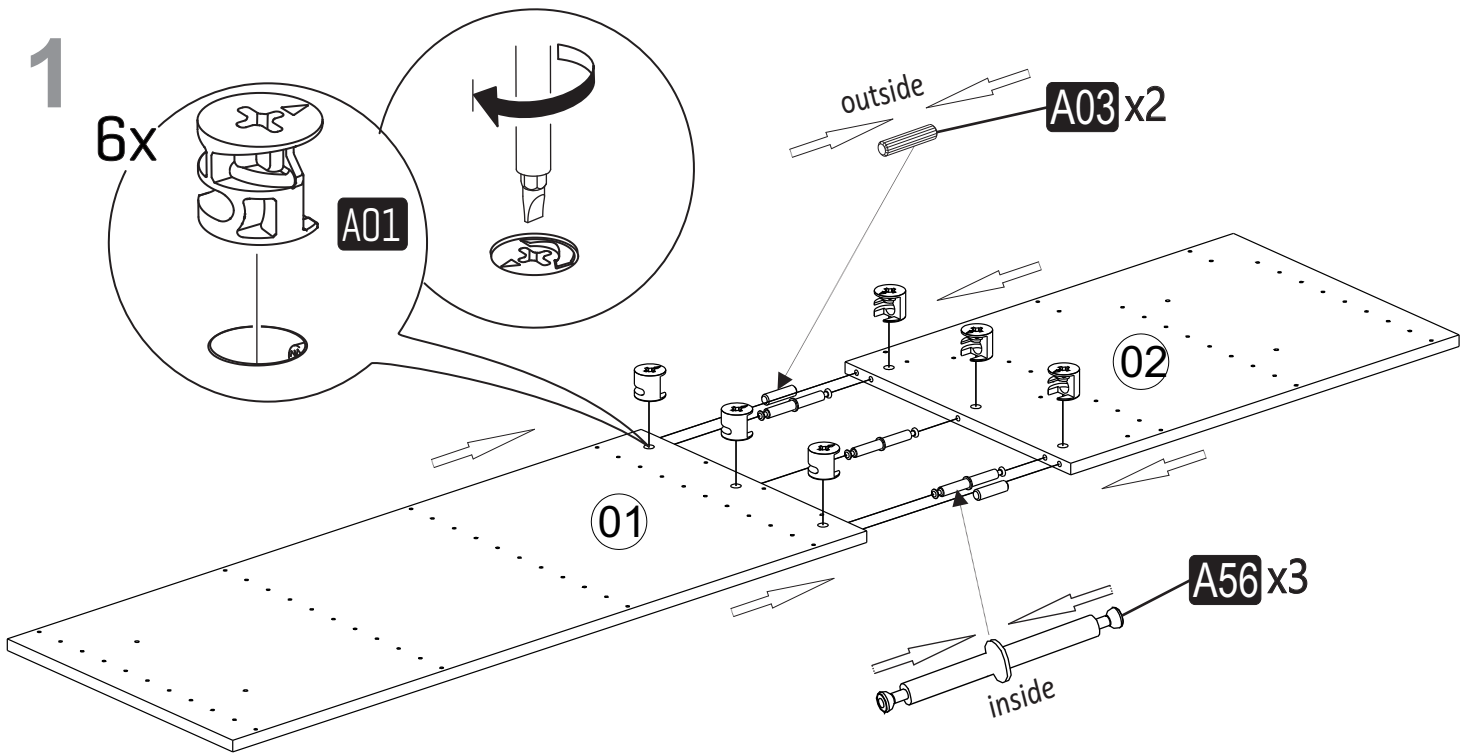


96,6 x 26,8 x 195,5cm

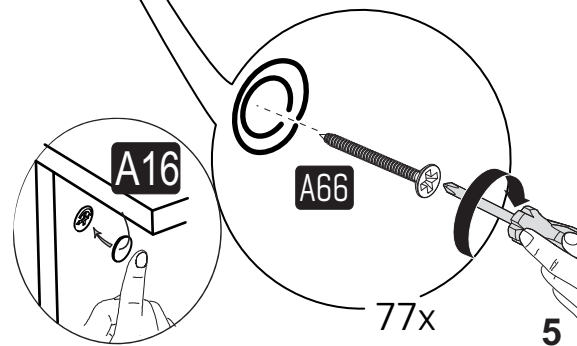
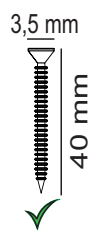
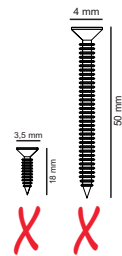
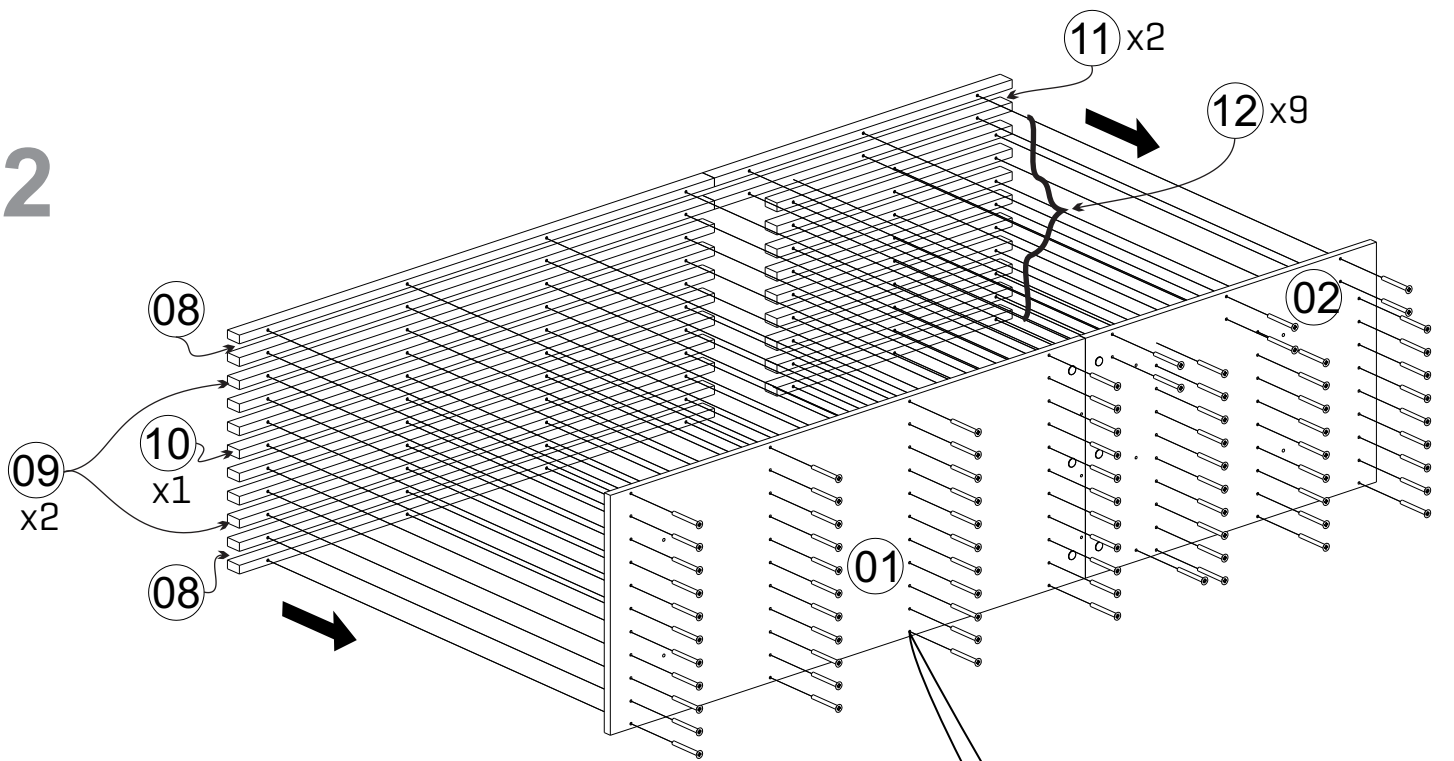
A09 4x50 YHB  8x	D69 Ø8  4x	A01  18x	A02  12x	A10 3,5x18  22x
A03  14x	A28  12x	A13  4x	A11  4x	J54 SYH  3x
A04 A 18x 	A16 A 87x 	J55 5x100  4x	A08 Ø8  2x	A66 3,5x40  77x
A56 (Sgml)  7x68 mm 3x				



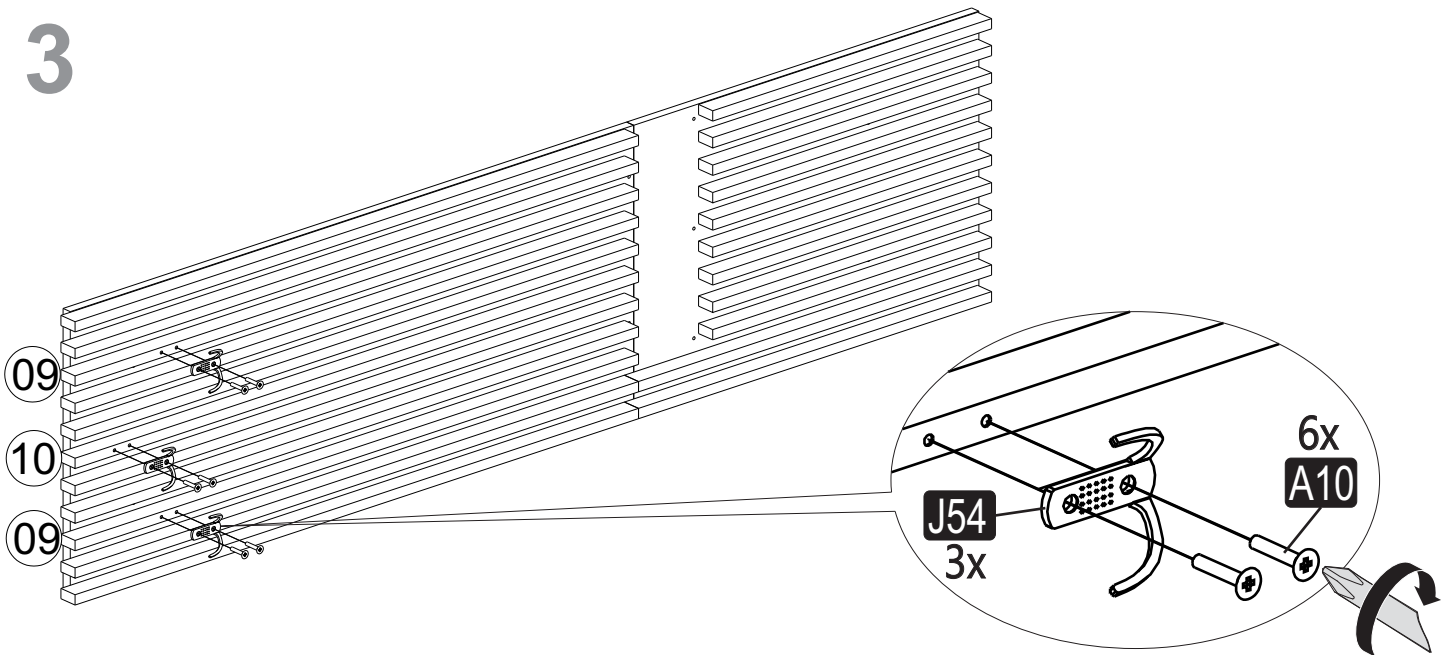
1



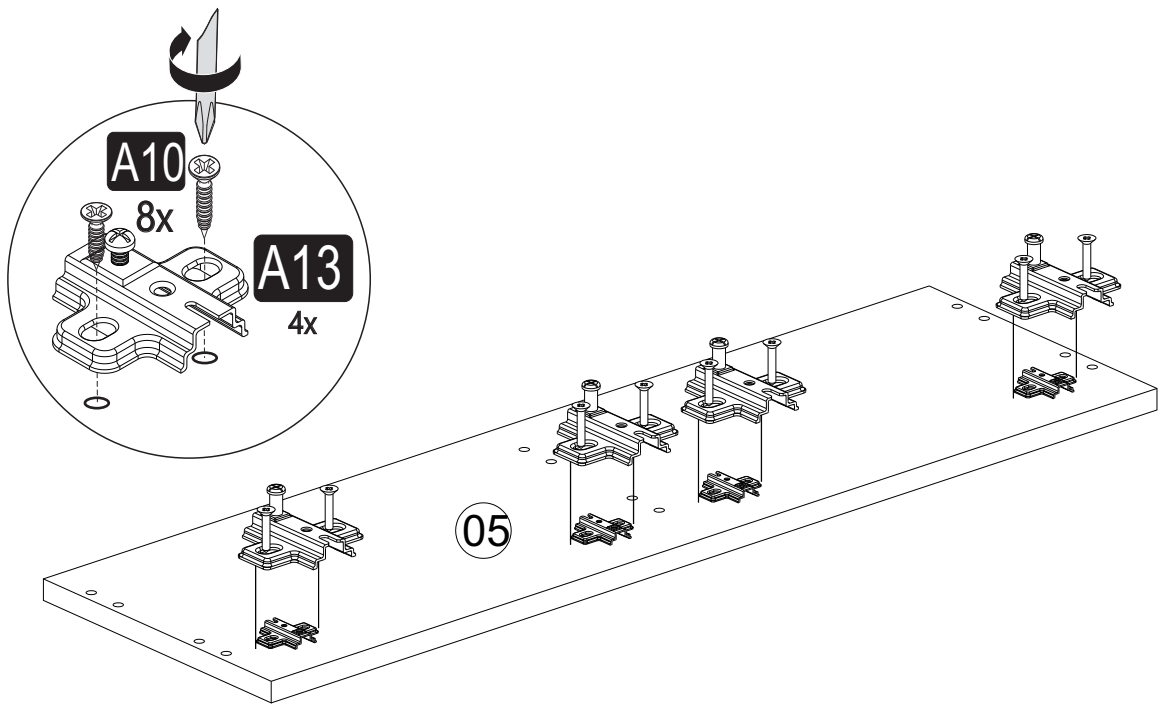
2



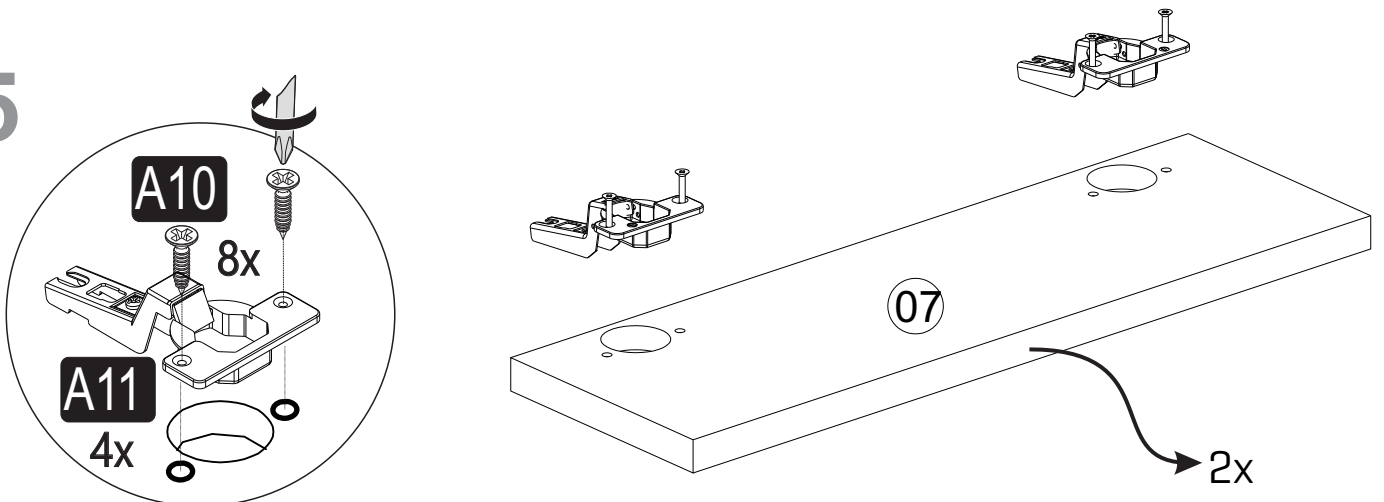
3



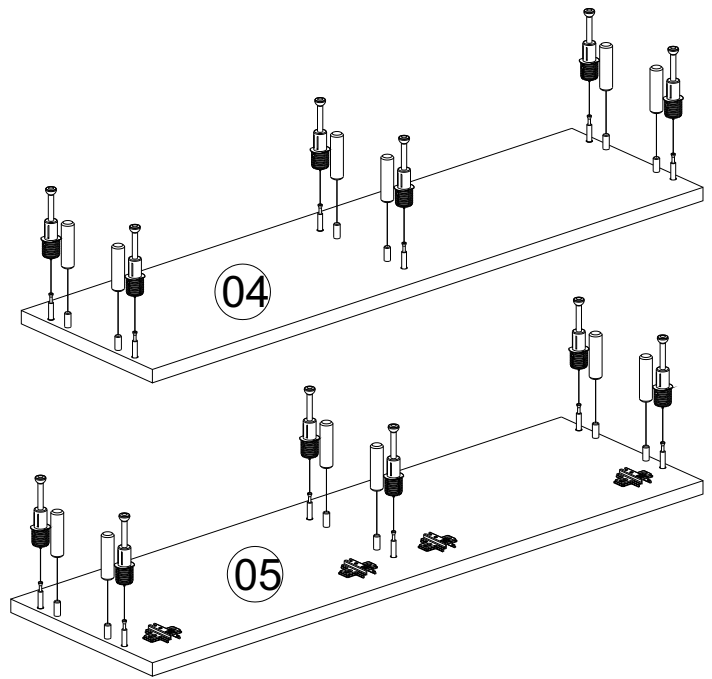
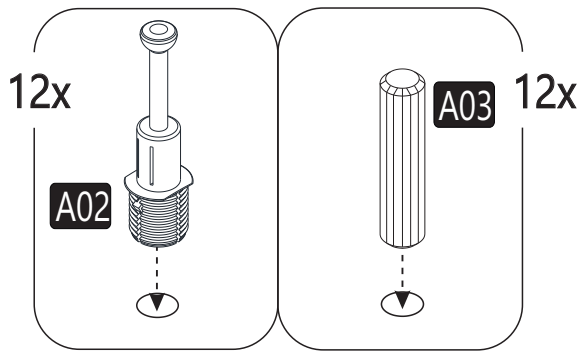
4



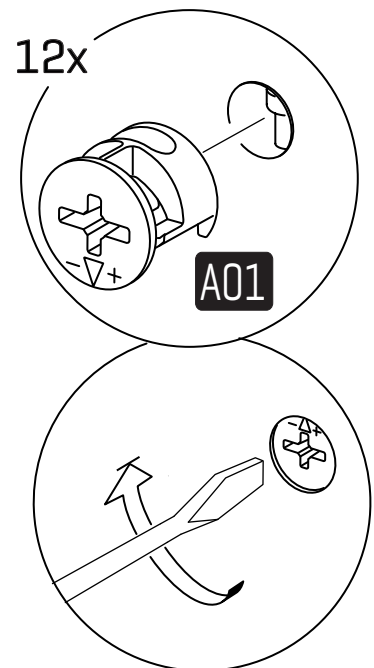
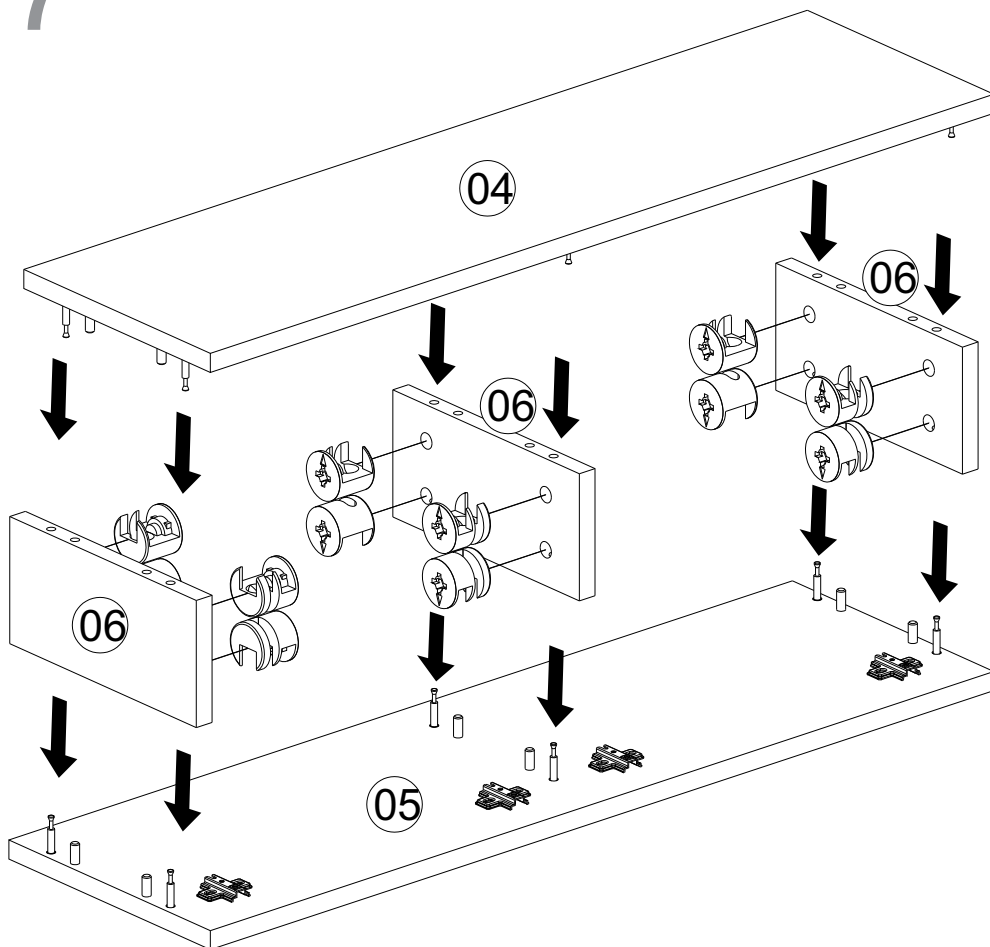
5

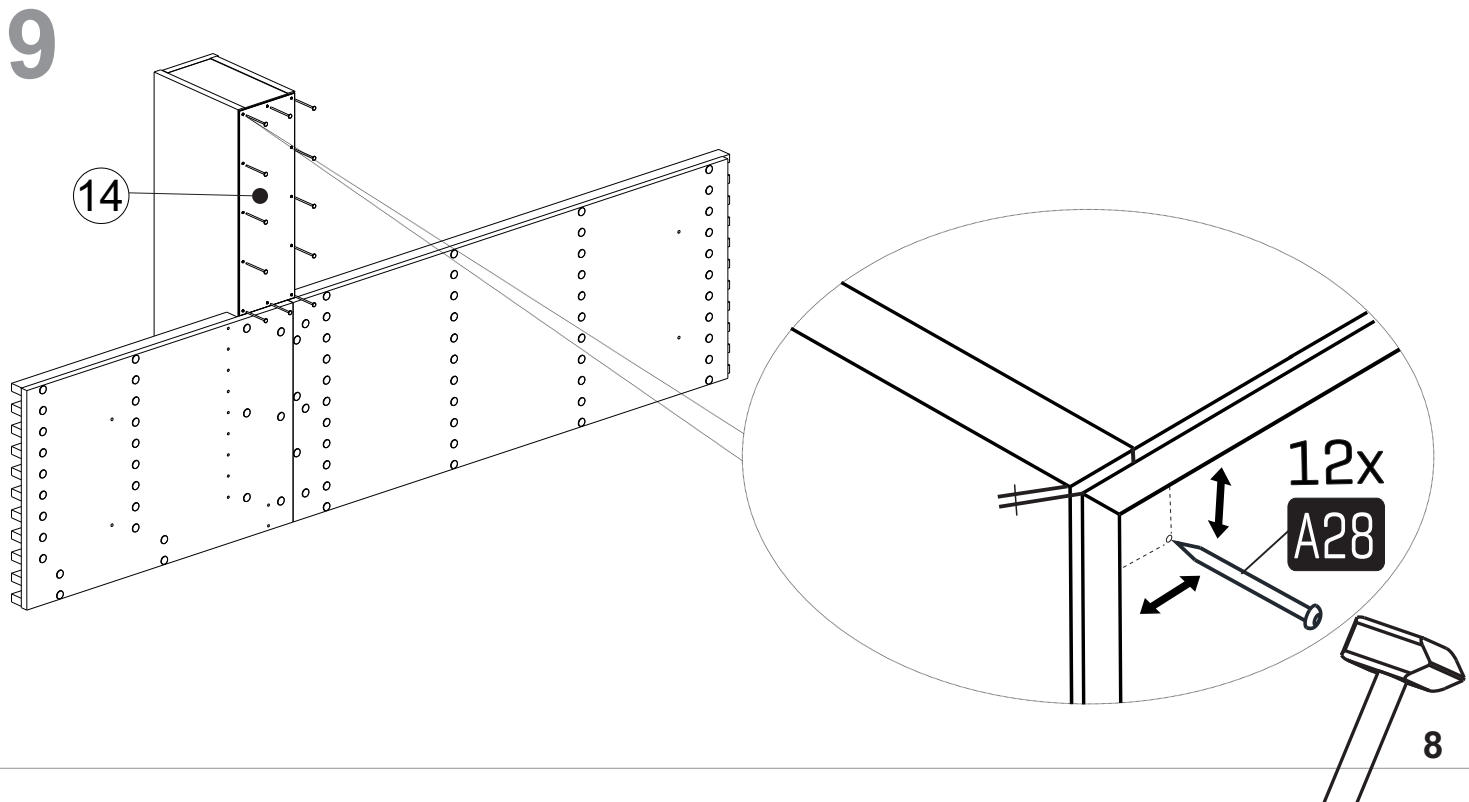
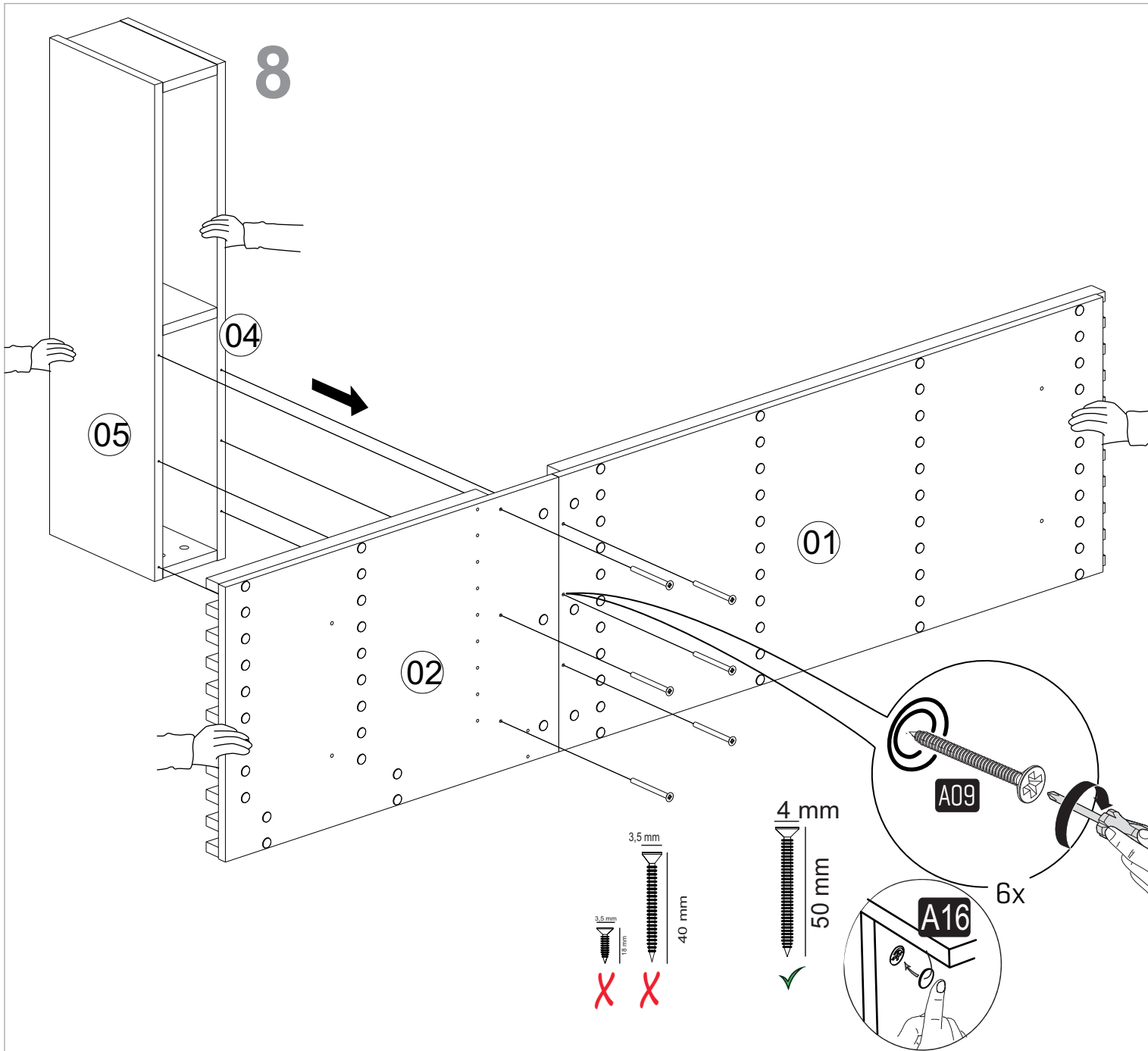


6

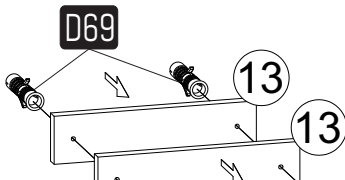
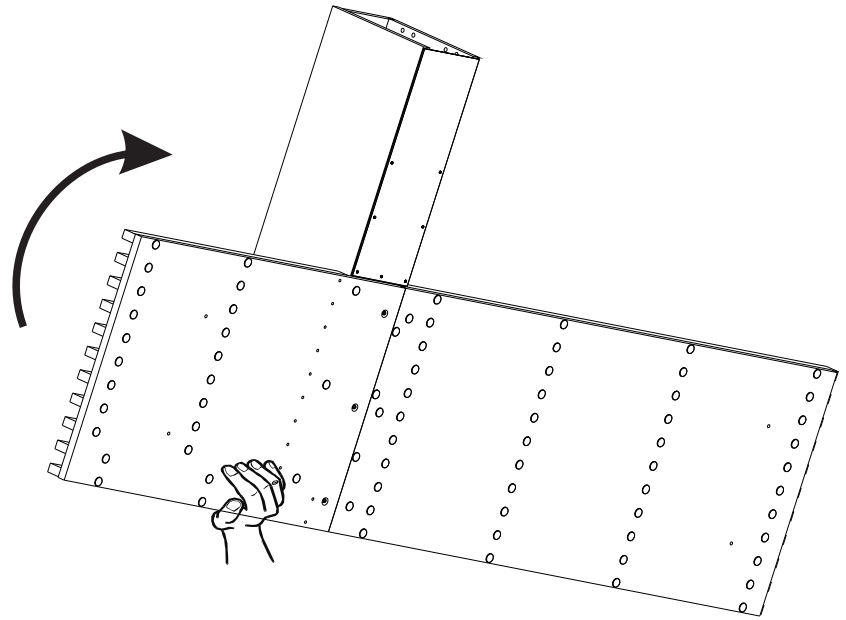


7

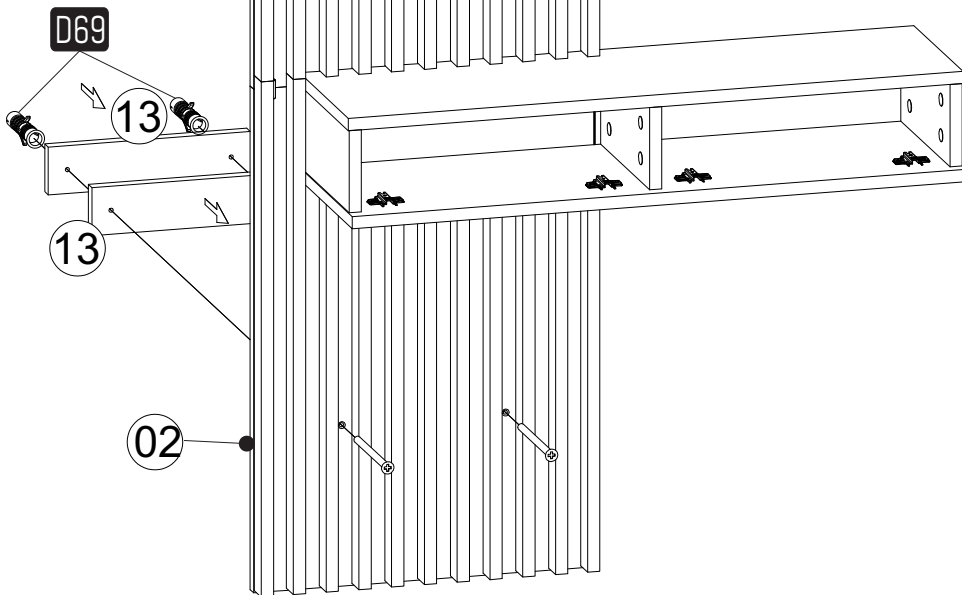
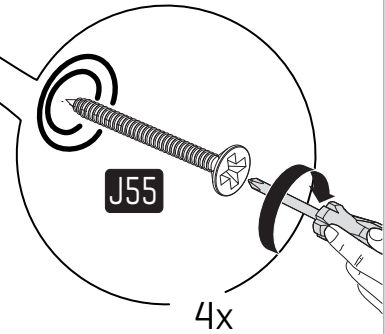
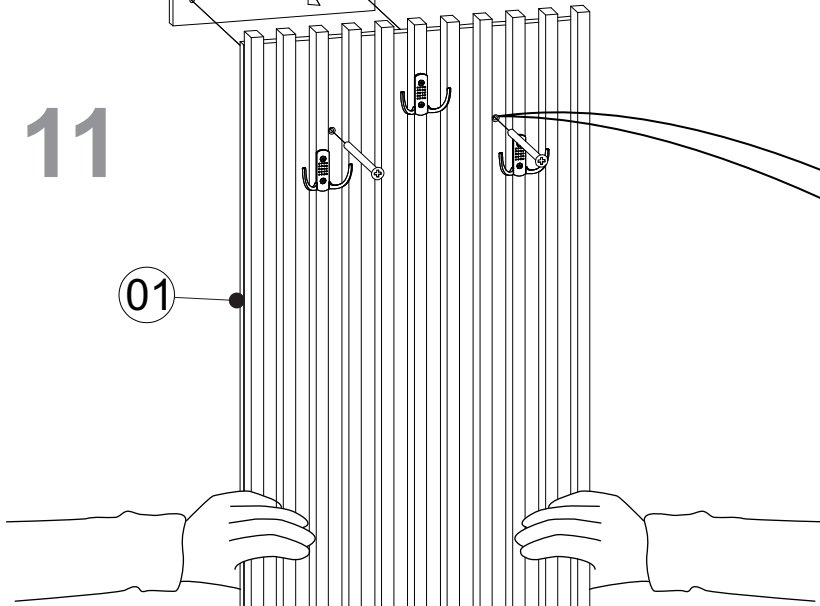




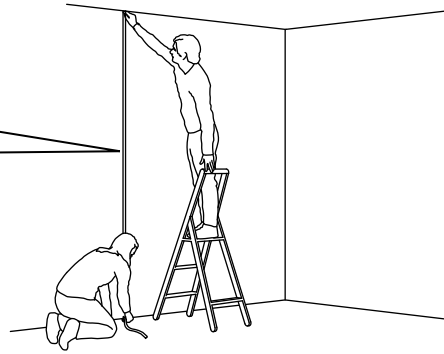
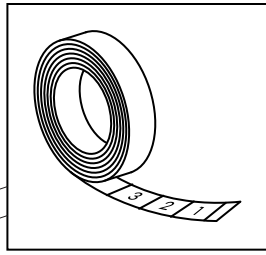
10



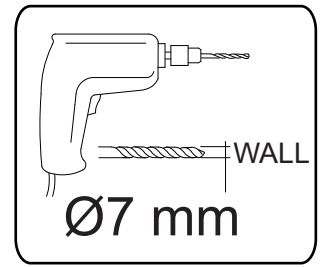
11



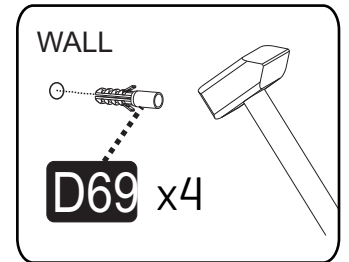
12



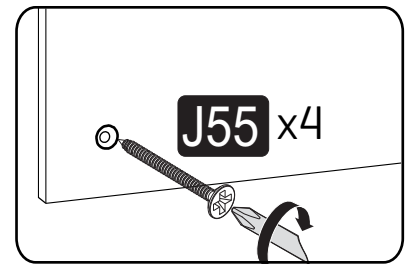
PART-1



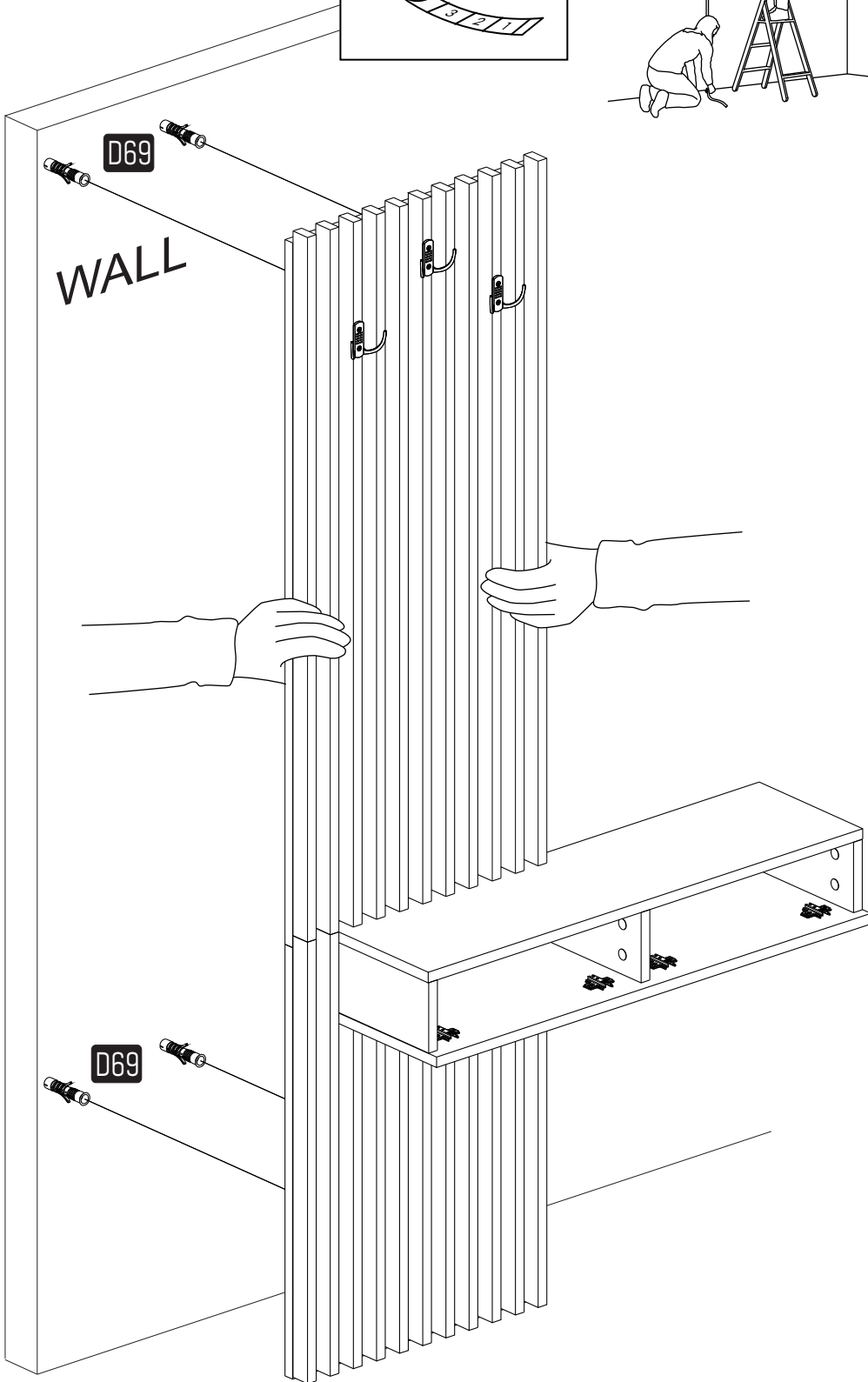
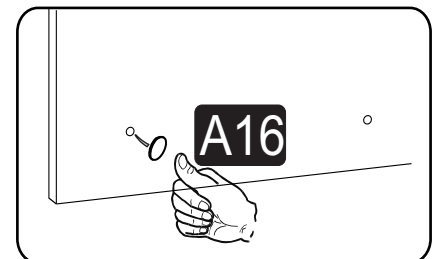
PART-2



PART-3

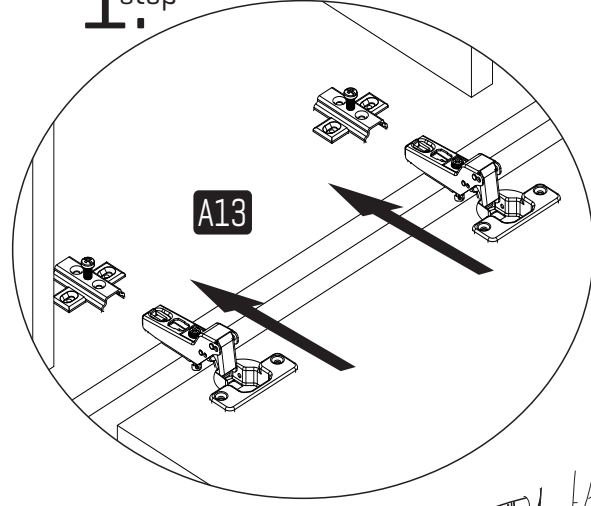
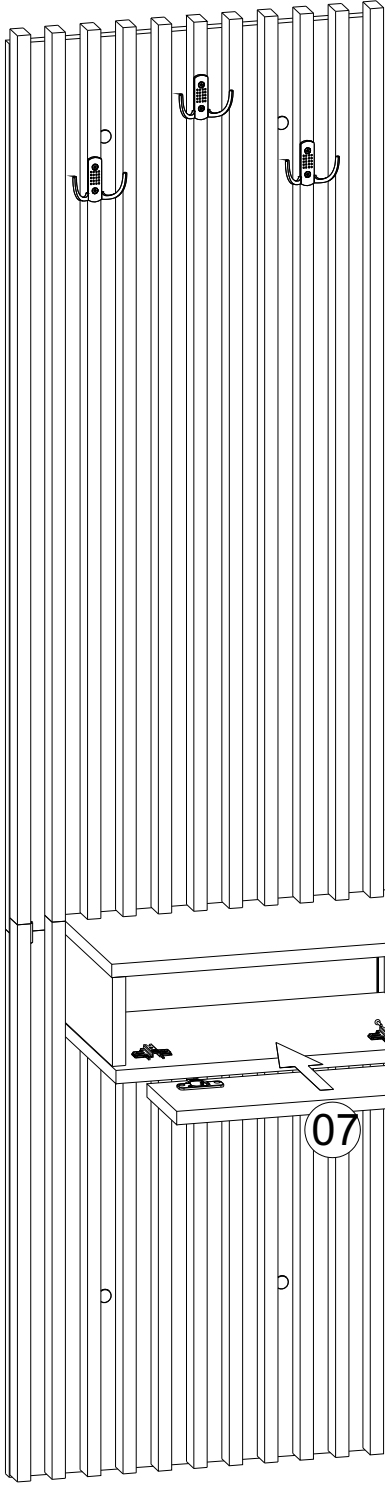


PART-4

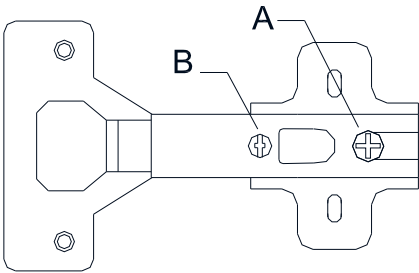
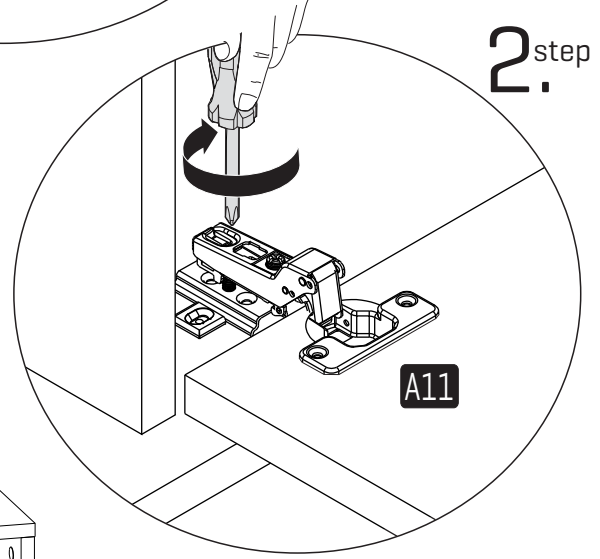


13

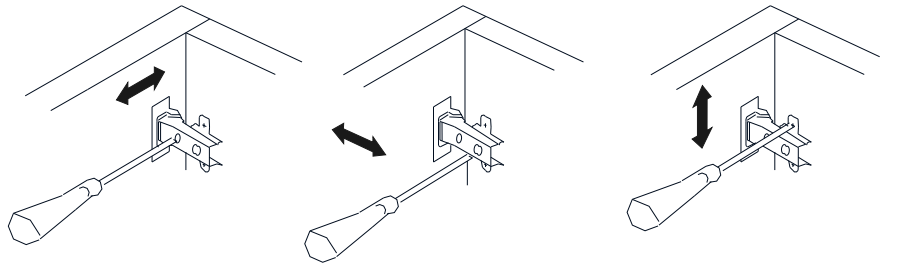
1. step



2. step



A= menteşe bağlama vidası / to connect the hinge to the door
B= kapak ayar vidası / to arrange the door



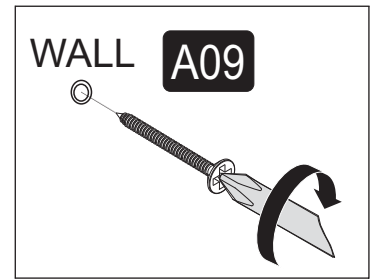
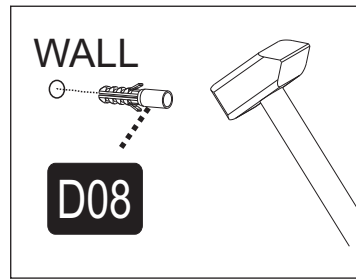
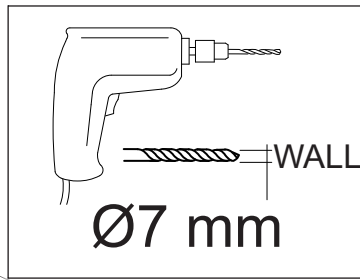
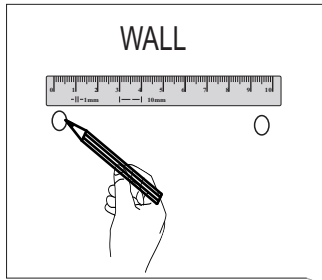
oklar kapağın ayarlama yönünü gösterir.
arrows to show the directions for arrangement of doors.

PART-1

PART-2

PART-3

PART-4



PART-5

