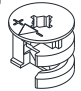
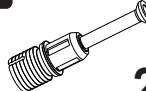

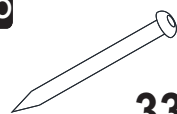
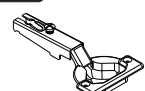

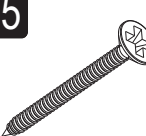

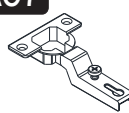
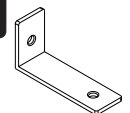


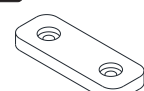
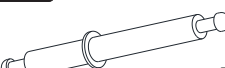
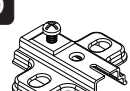

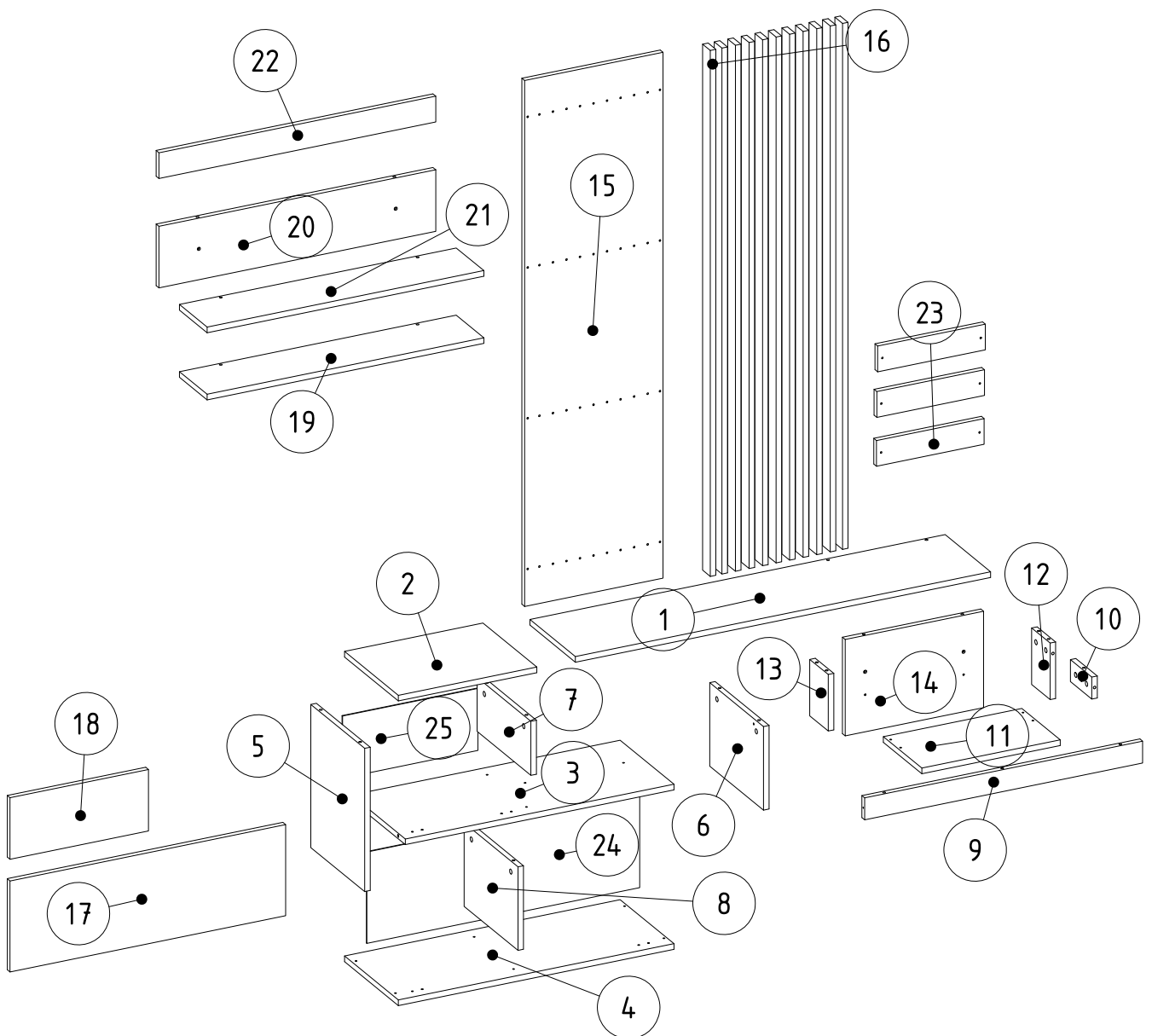


i GP042-0363,1



180 x 36,8 x 200cm

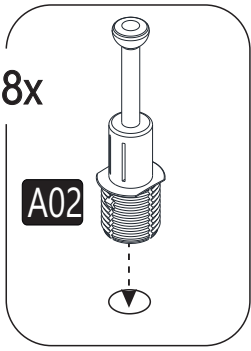
A01  30x	A02  22x	A16  A 57x D 8x	A28  33x	A12  2x
A04  A 16x D 14x	J55  5x100 7x	A10  3,5x18 35x	A57  2x	E17  3x
D69  7x	A09  4x50 59x	A27  4x	A06  4x	A13  4x
A29  3,5x30 4x				



1

18x

A02



A02

01

A02

A02

A02

A02

02

A02

A02

A02

03

A10 4x

A13 2x

Üst Yüzey
Upper Face

03

A01

Alt Yüzey
Lower Face

04

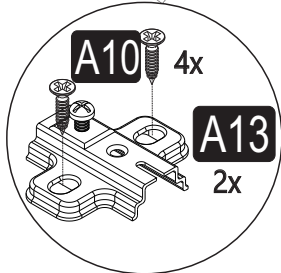
A02

A01

05

A10 4x

A13 2x



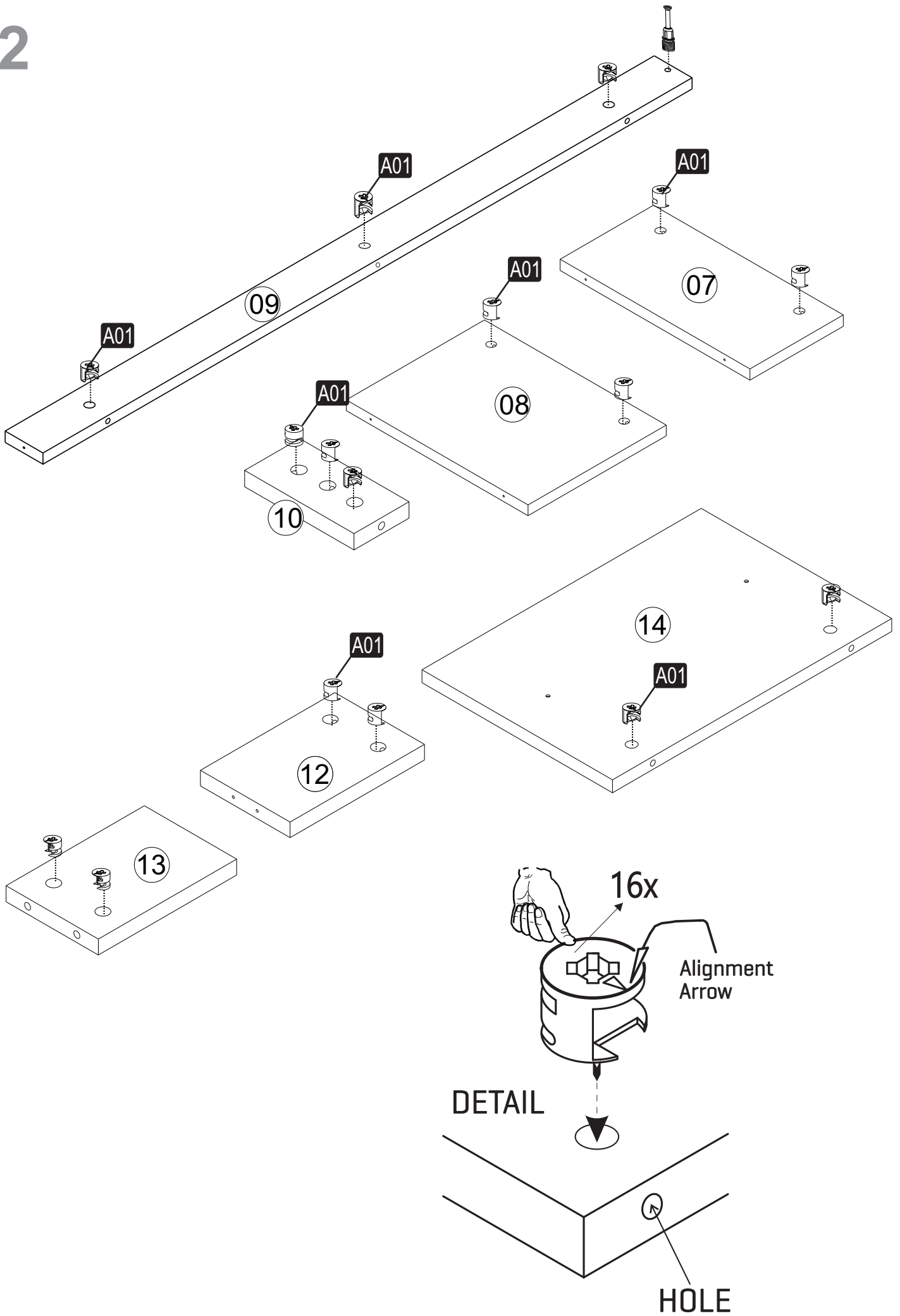
4x

Alignment
Arrow

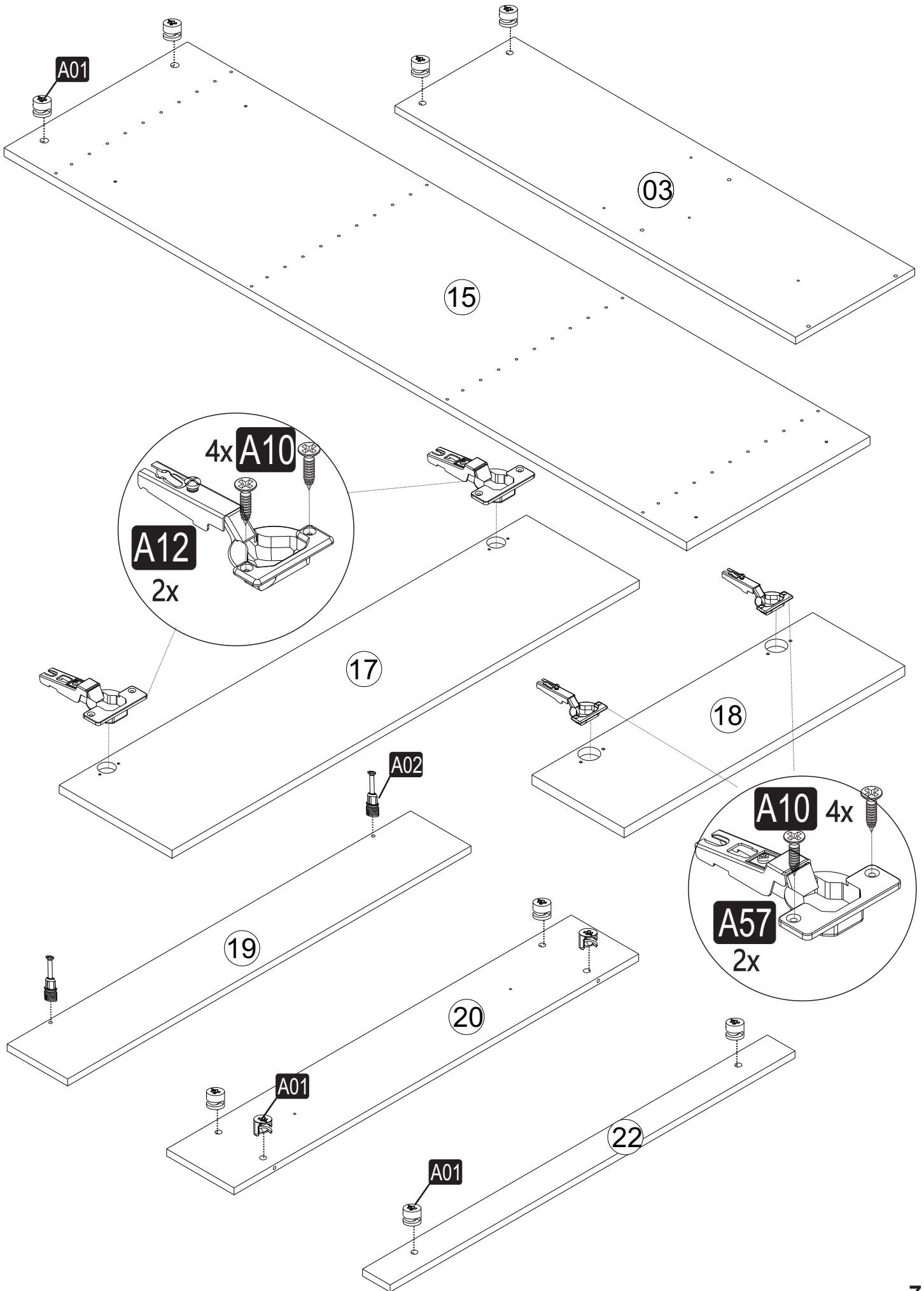
DETAIL

HOLE

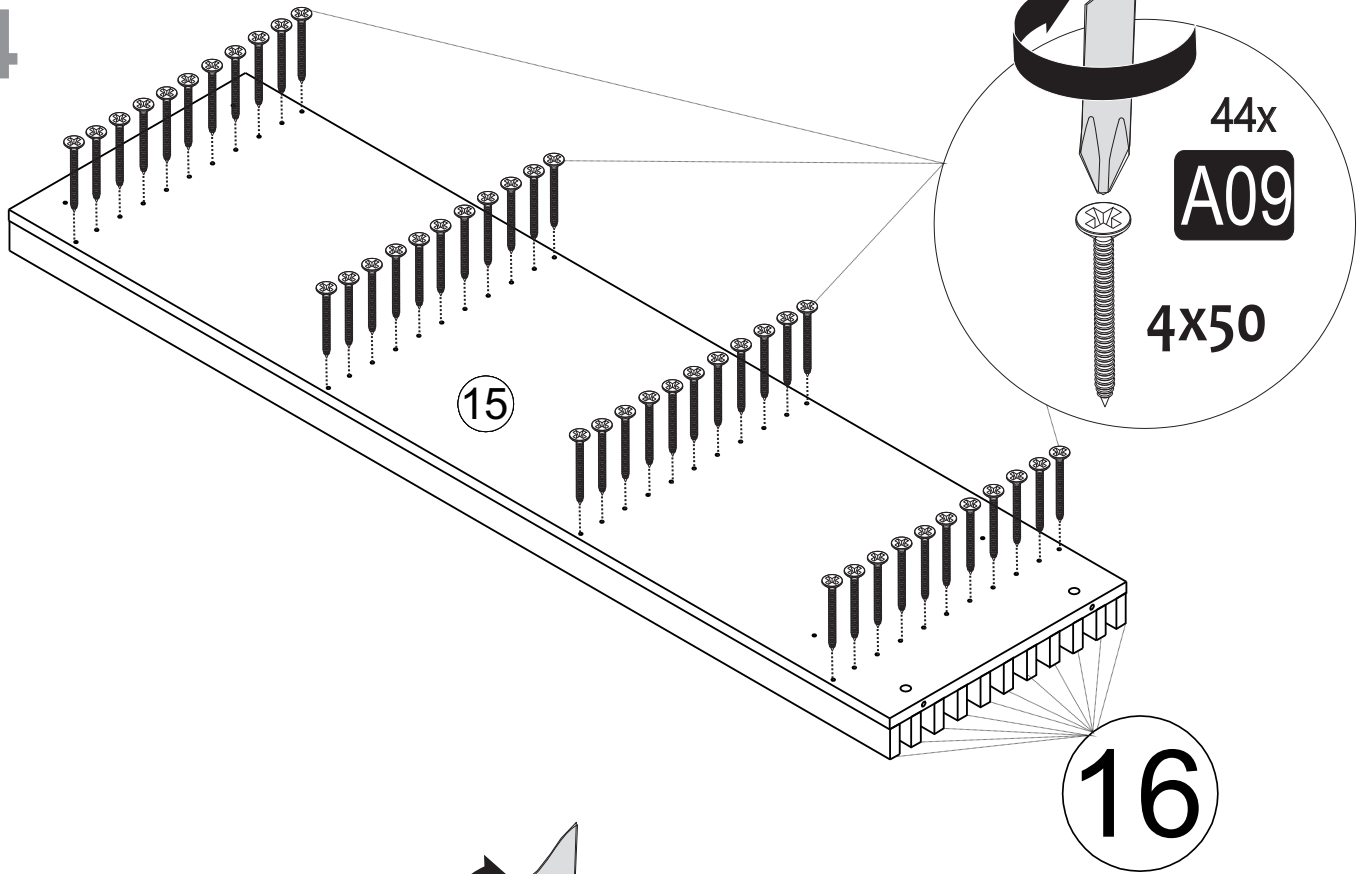
2



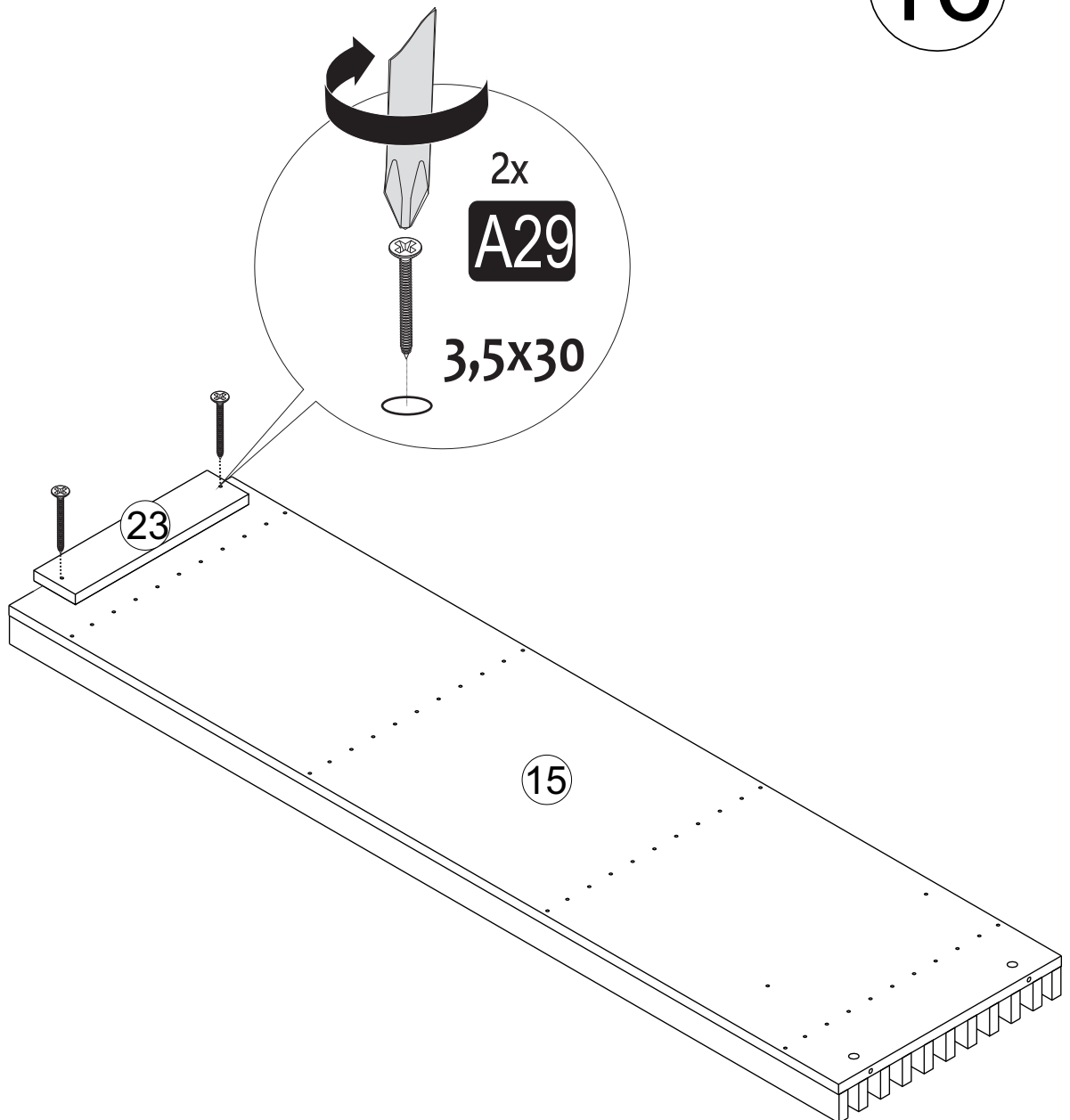
3



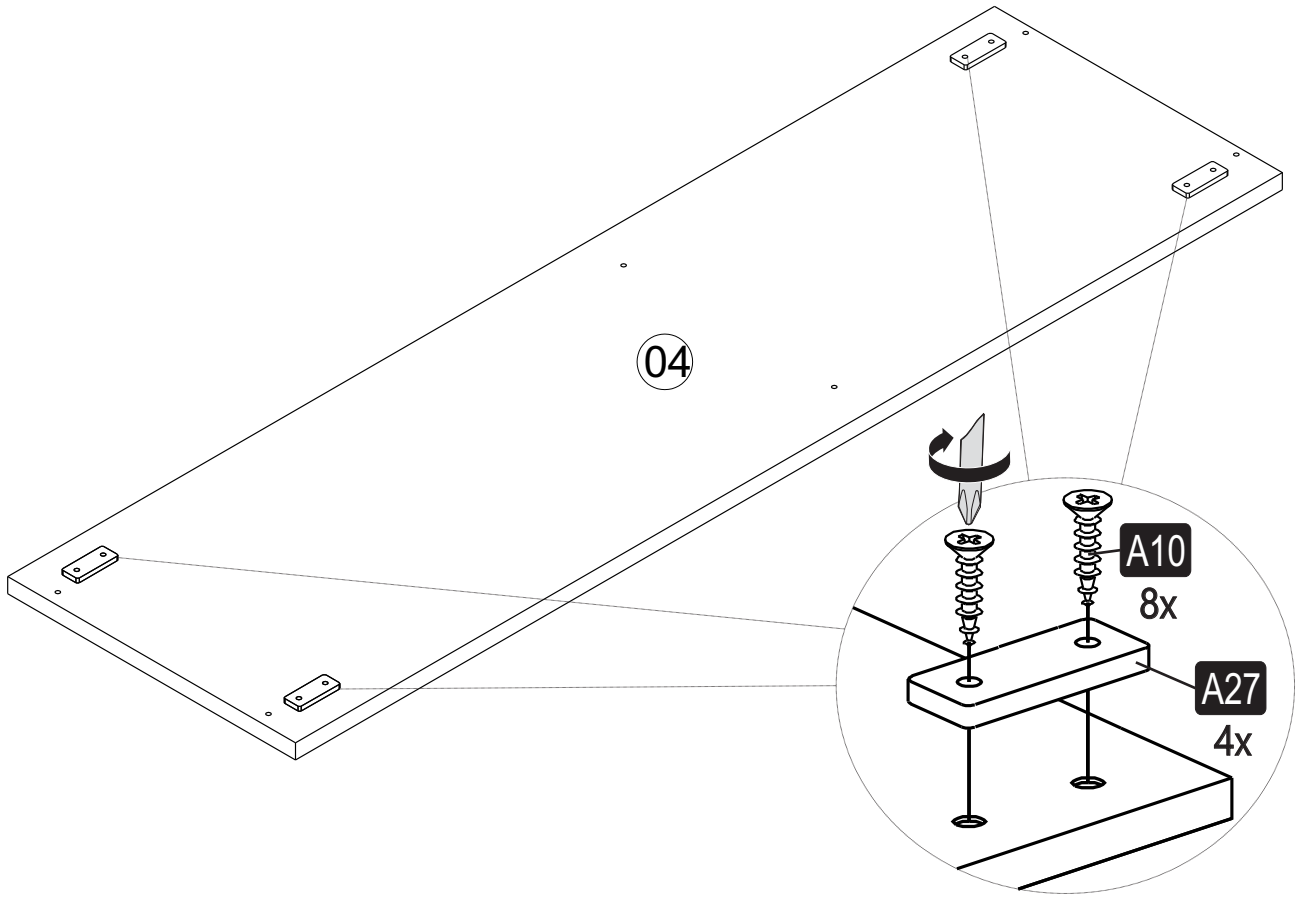
4



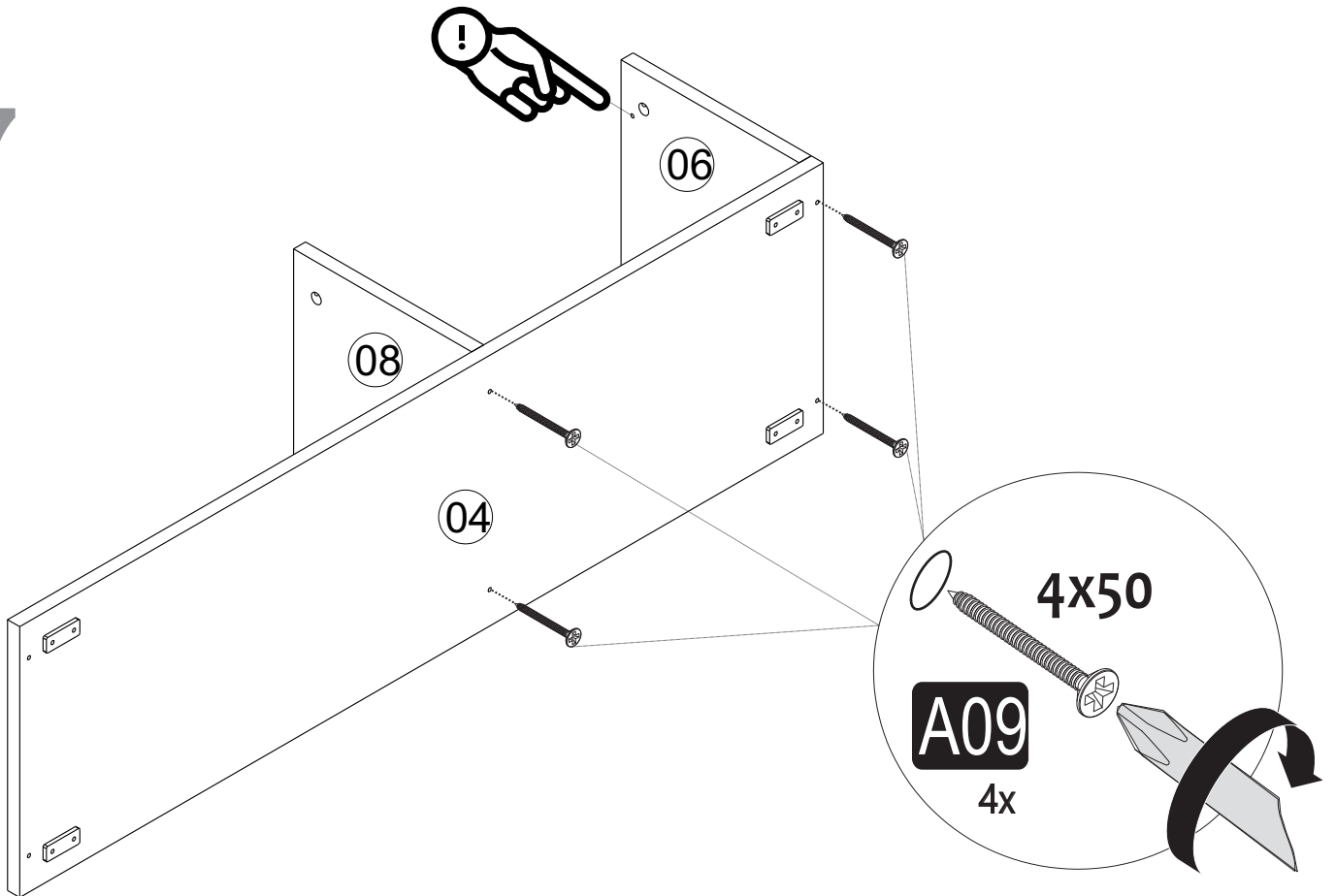
5



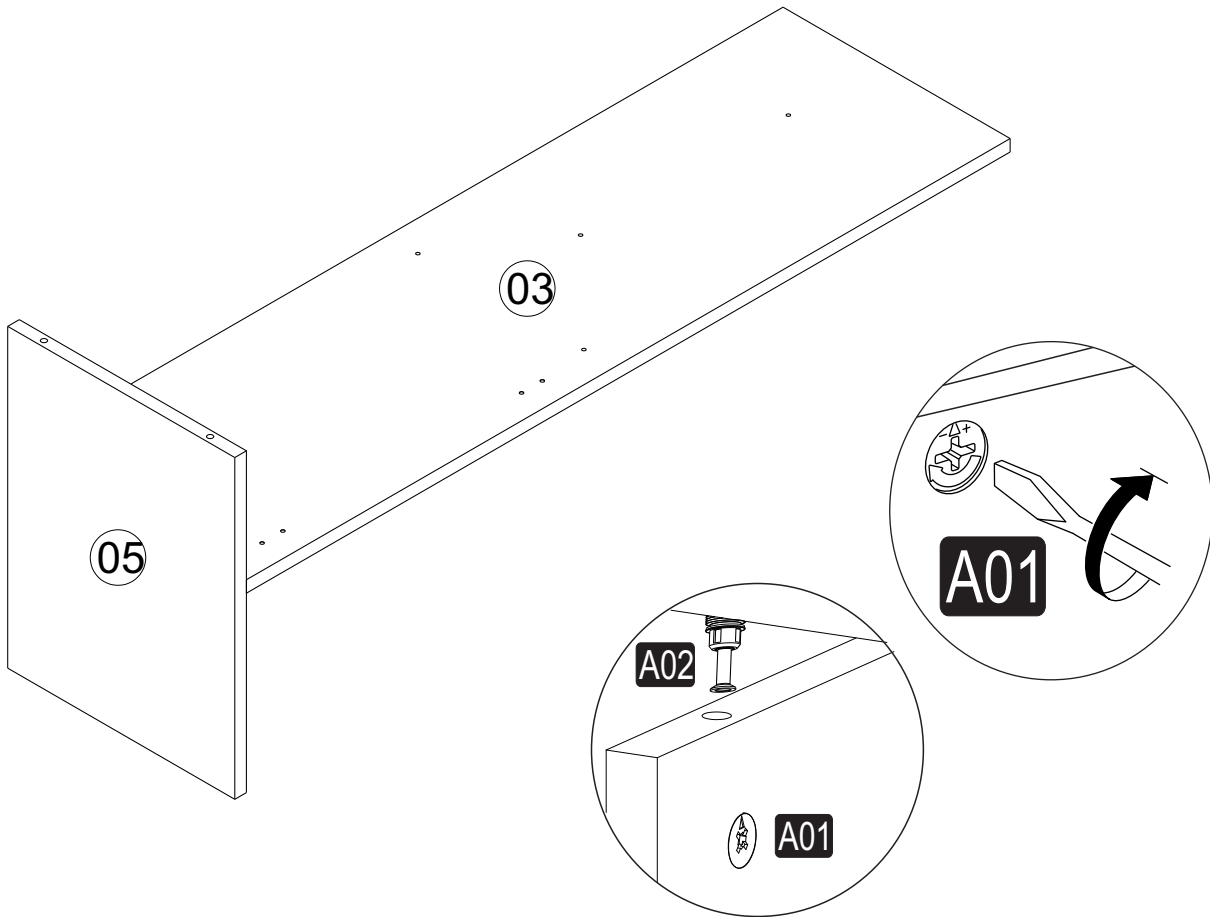
6



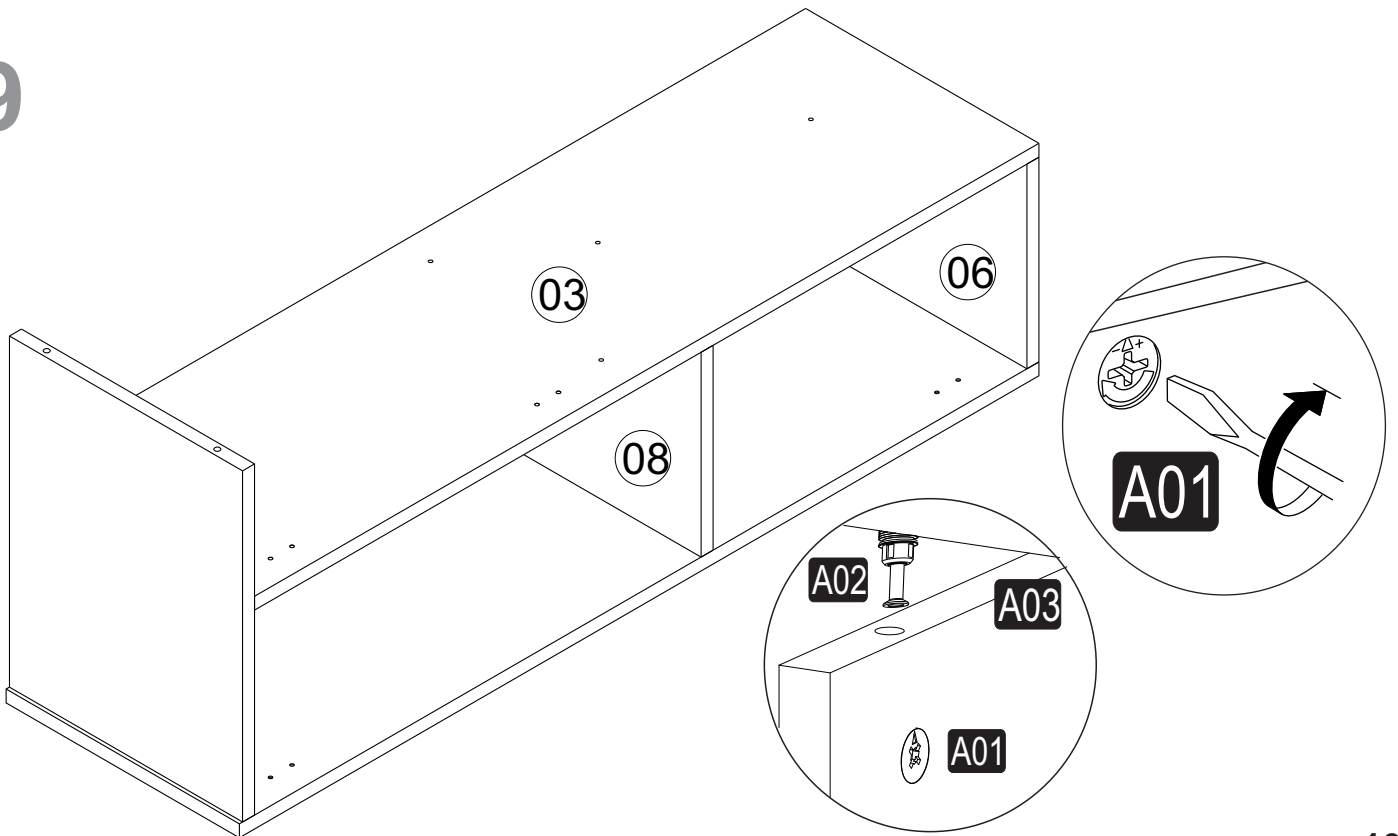
7



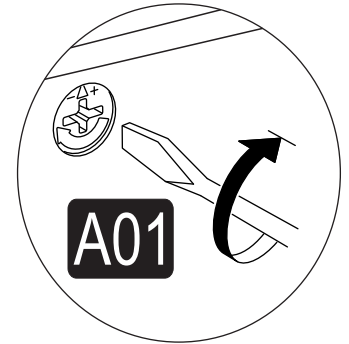
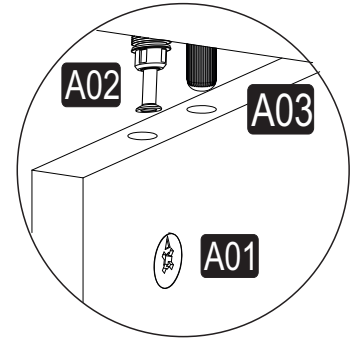
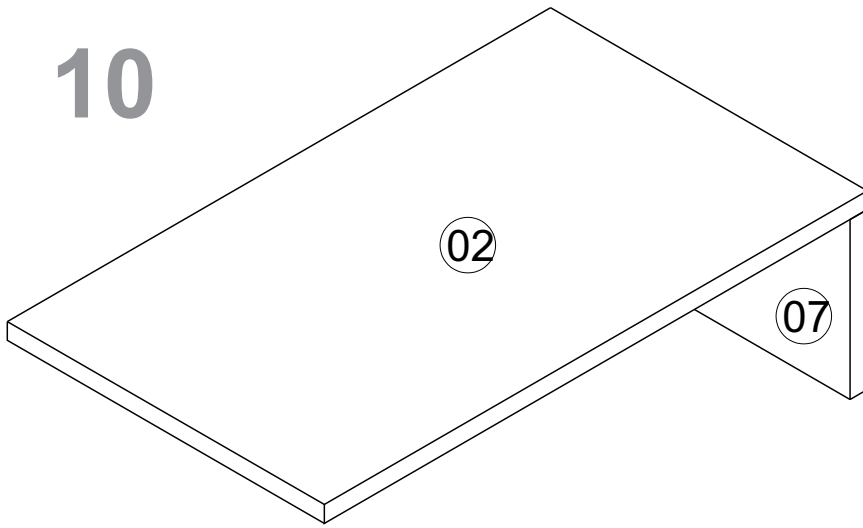
8



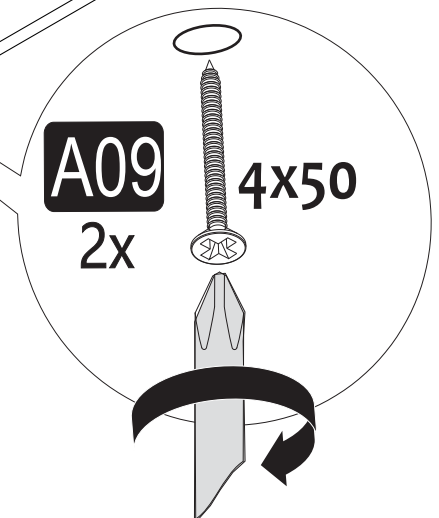
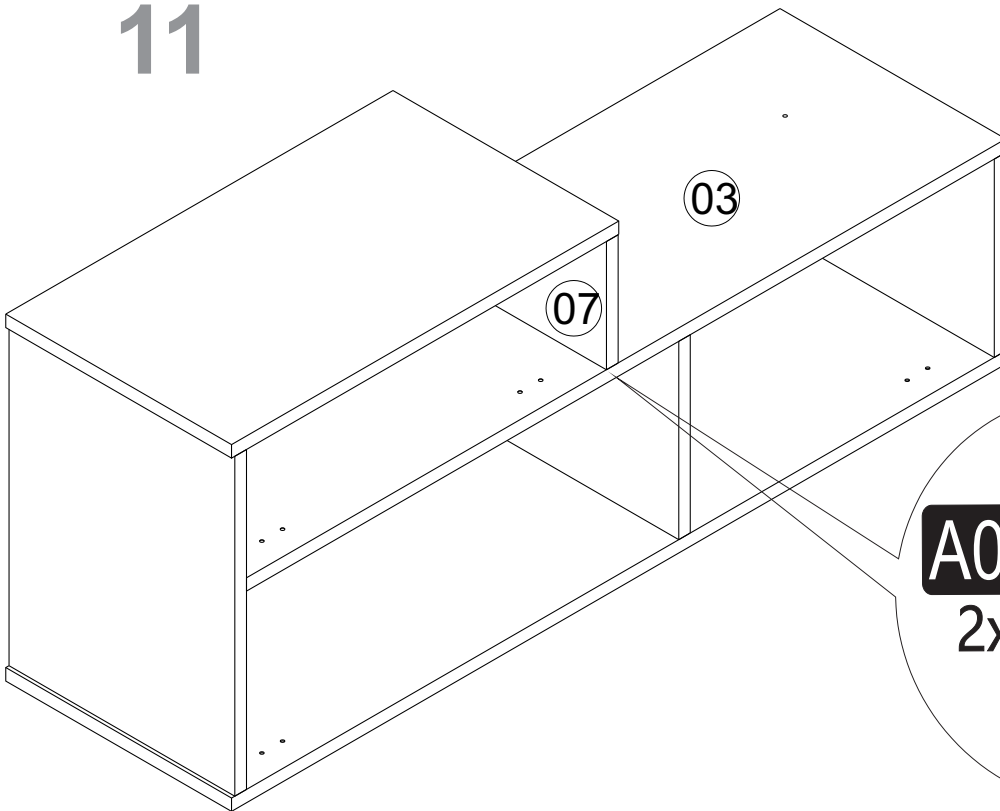
9



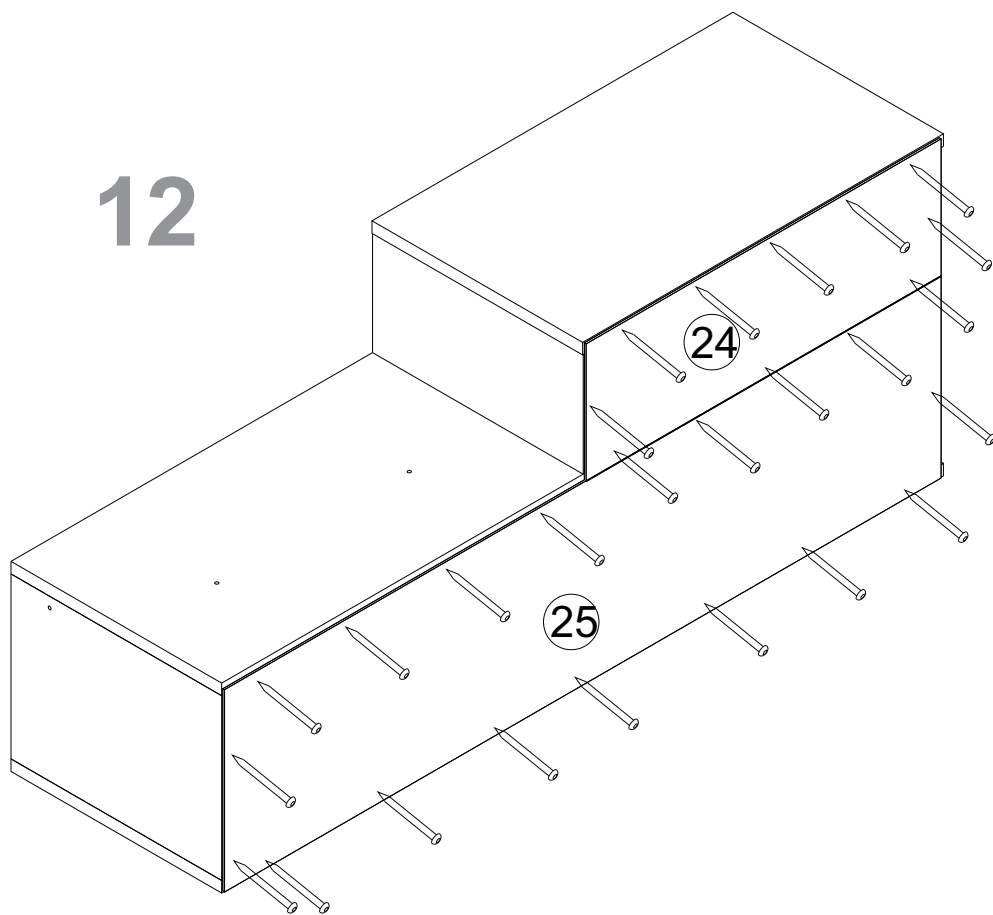
10



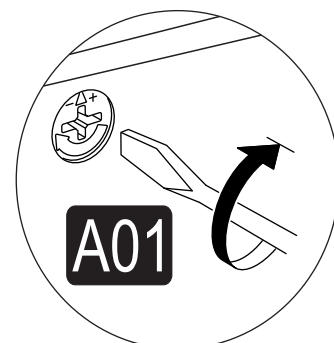
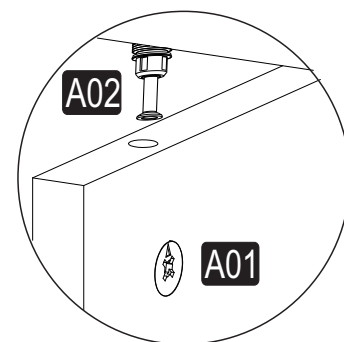
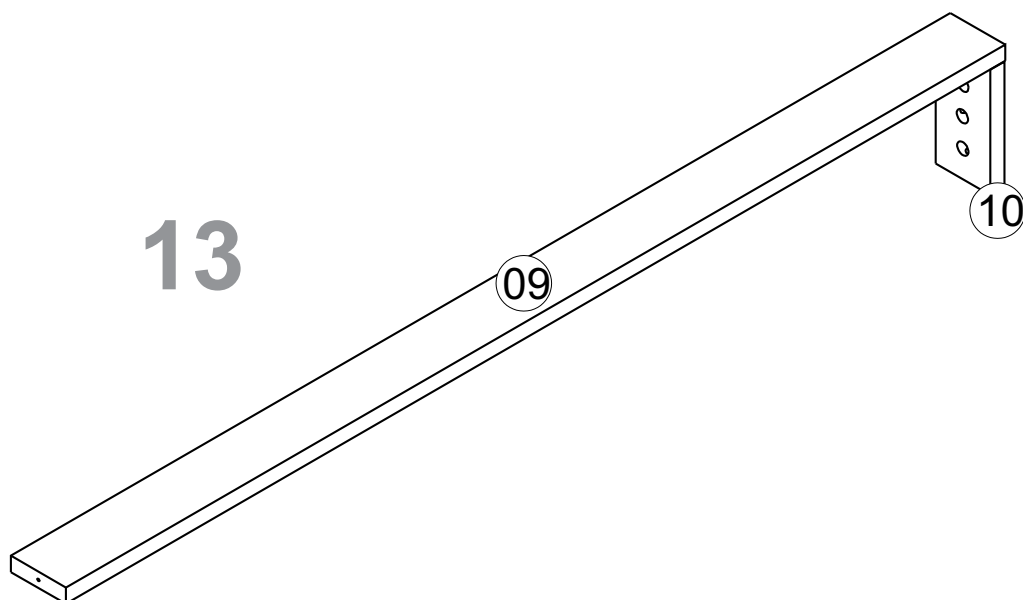
11

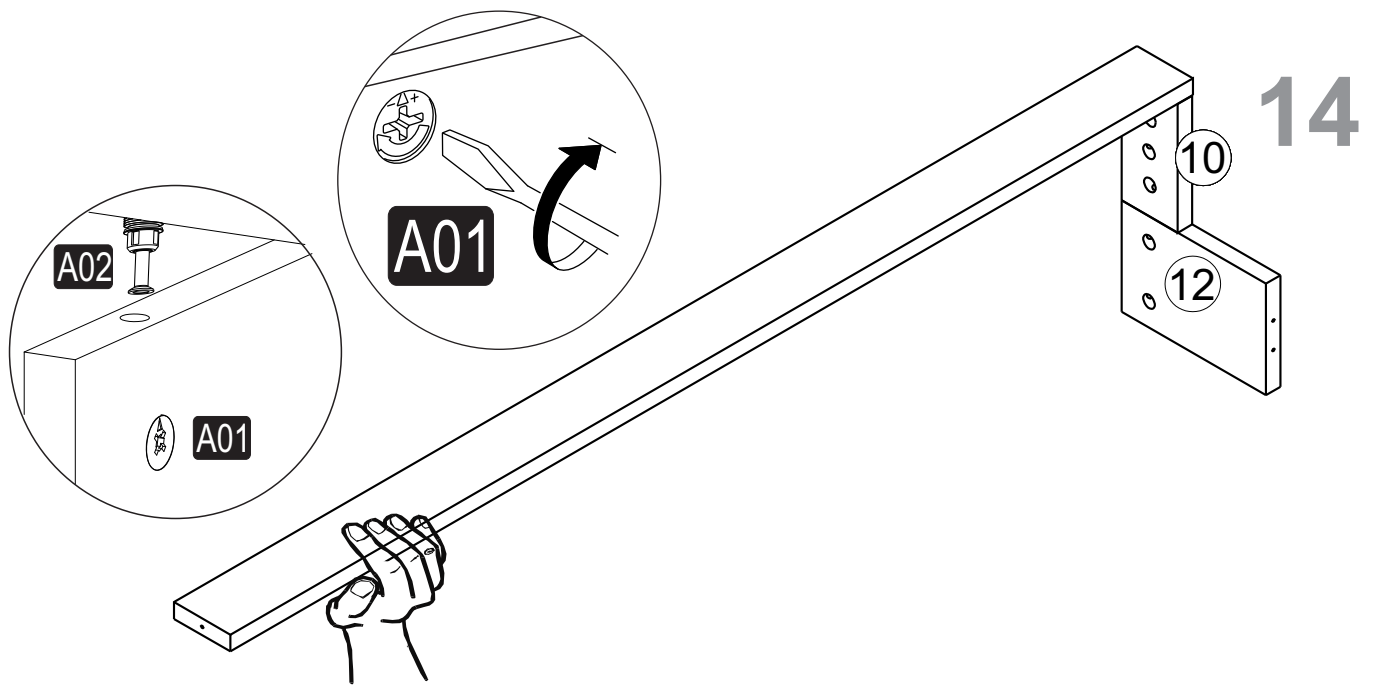


12

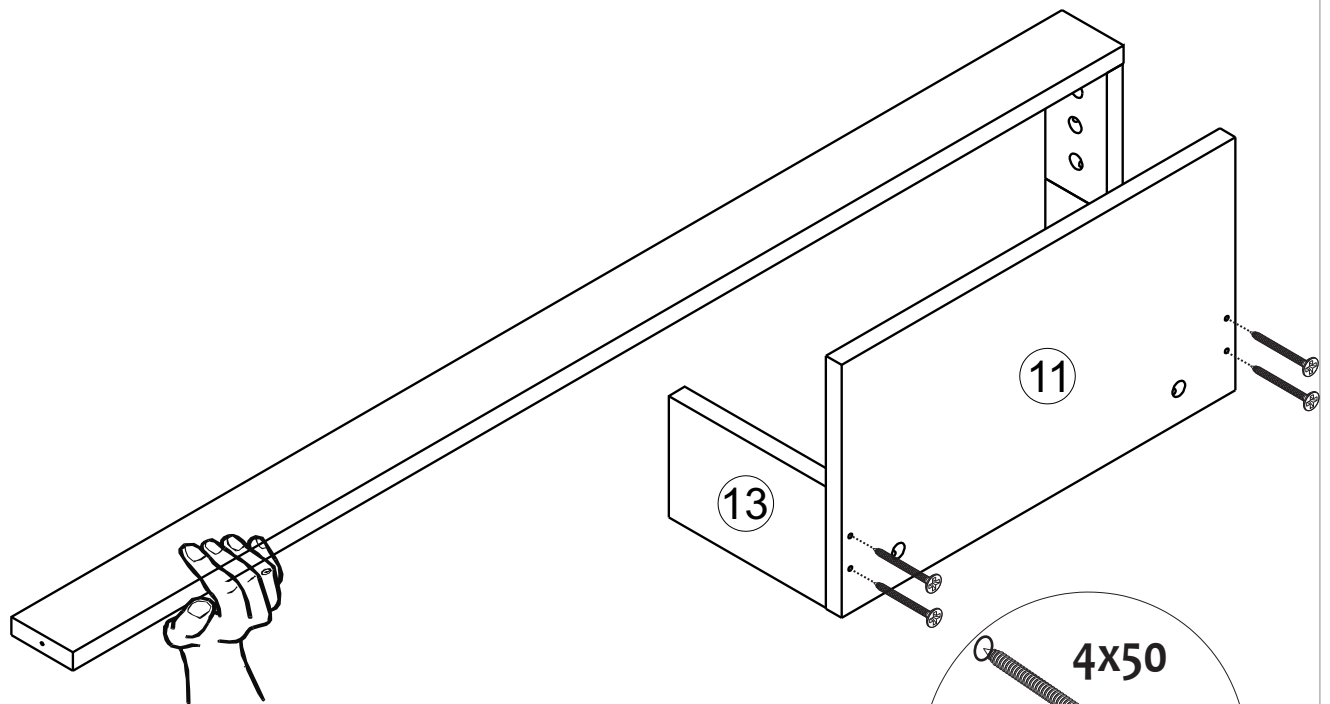


13

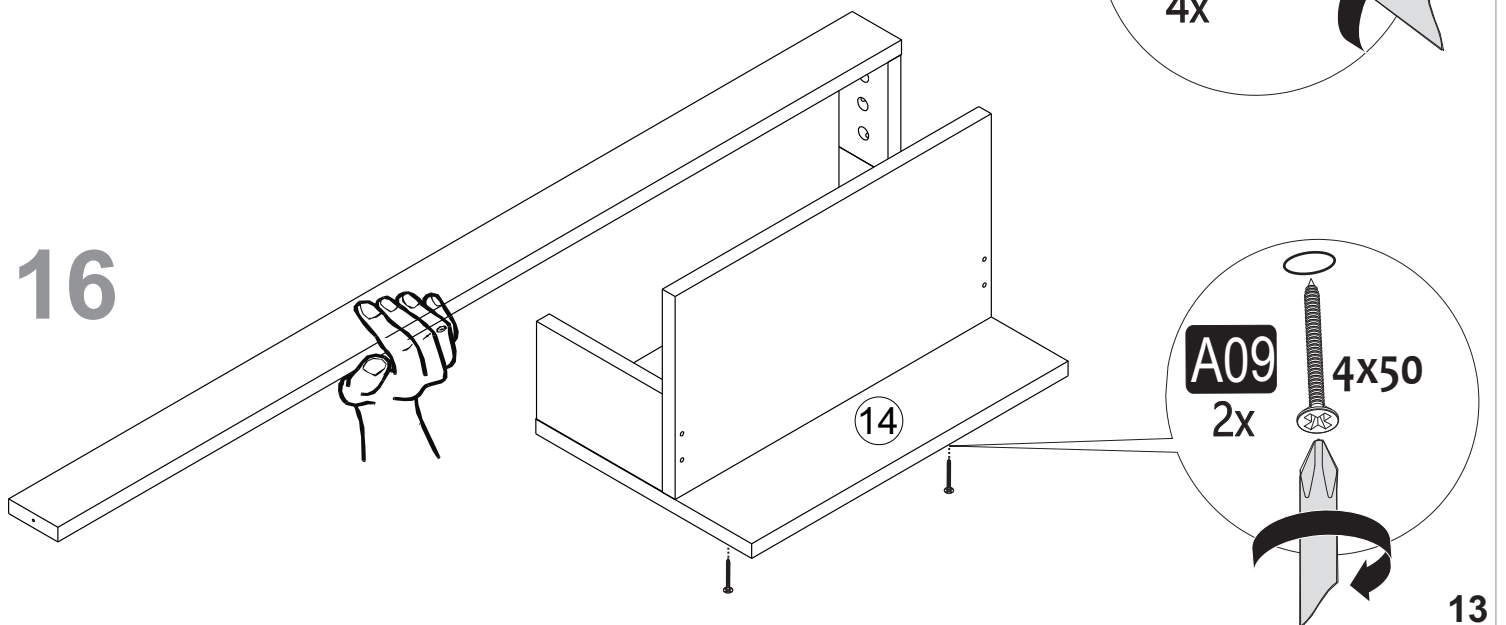




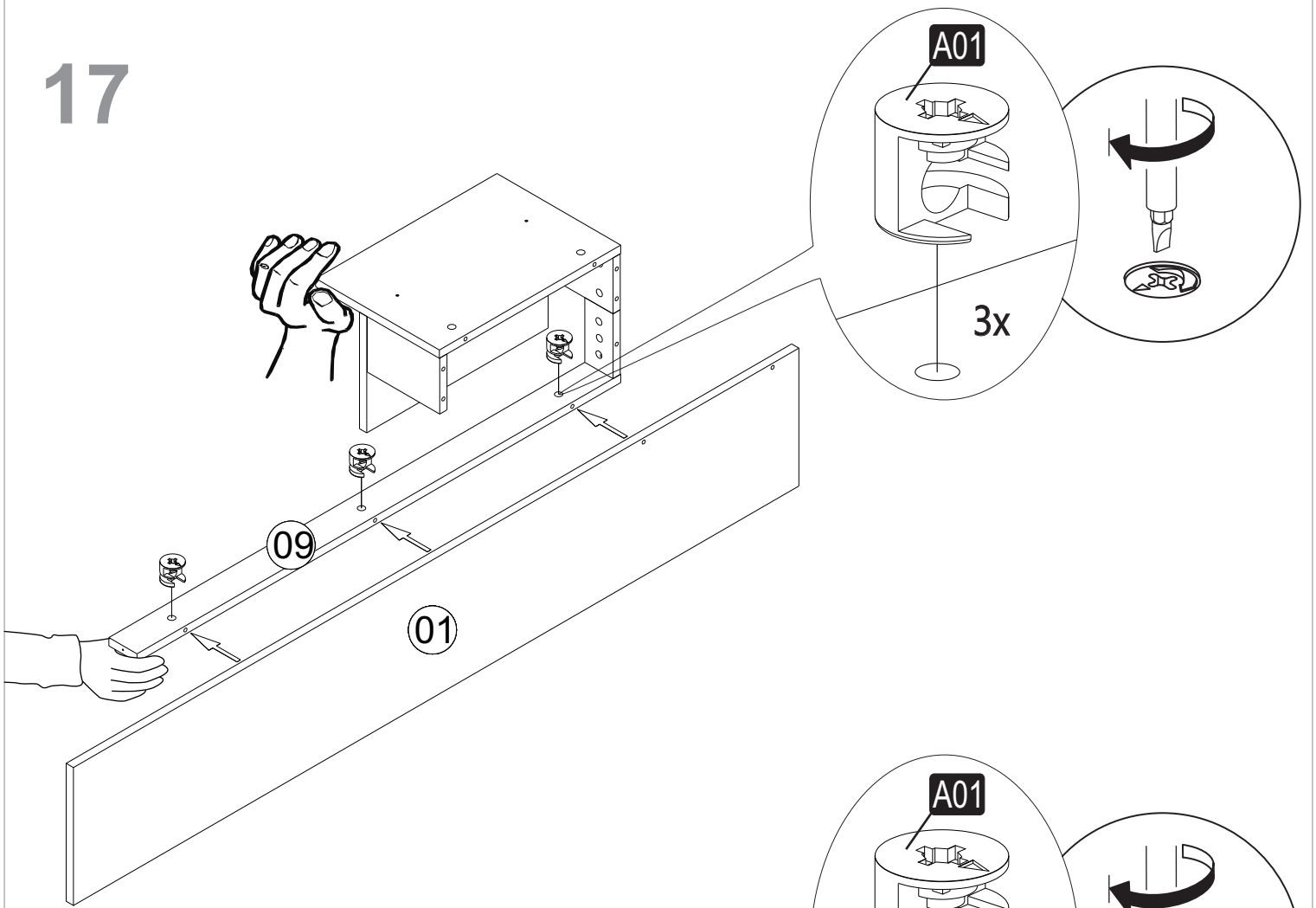
15



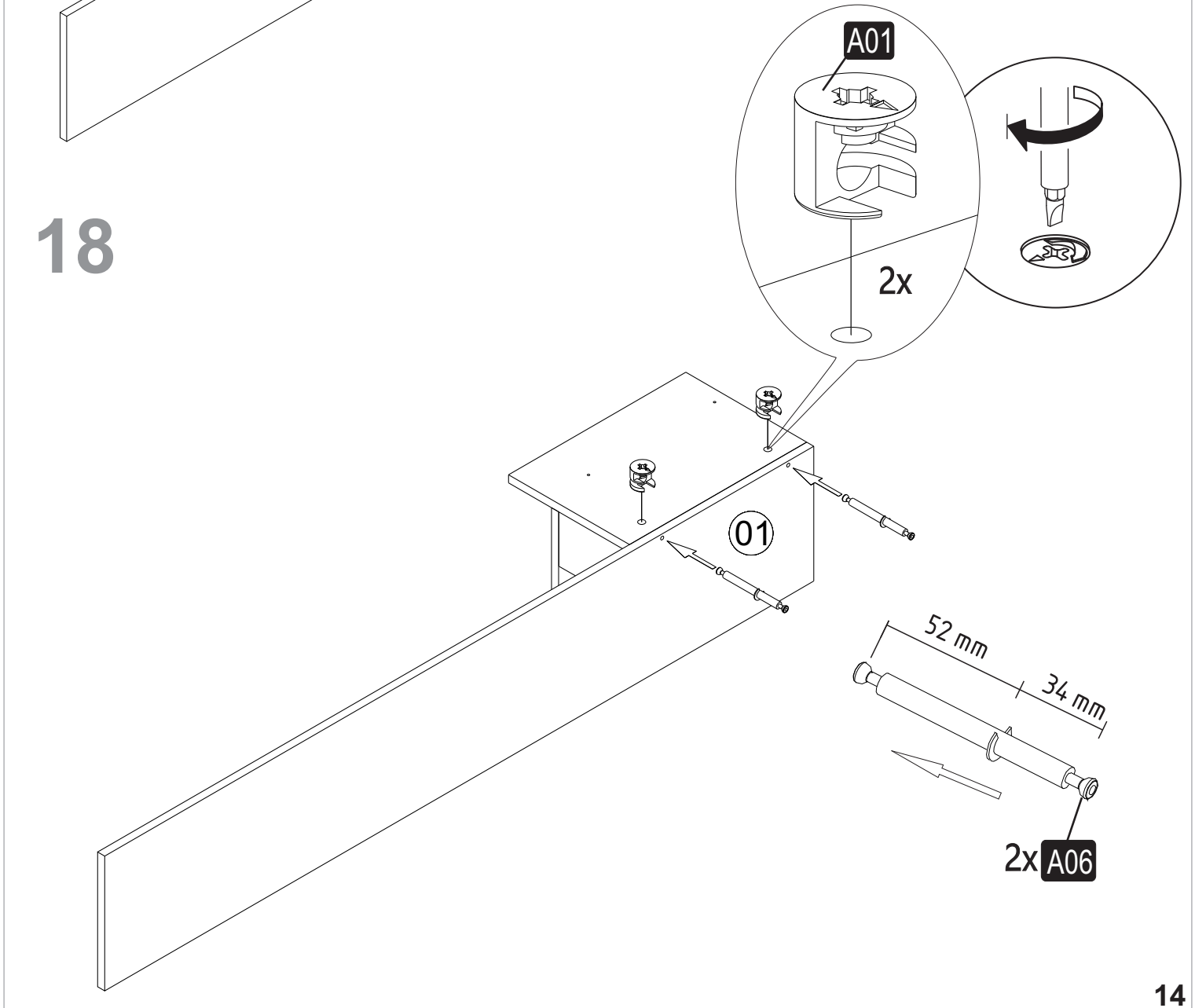
16



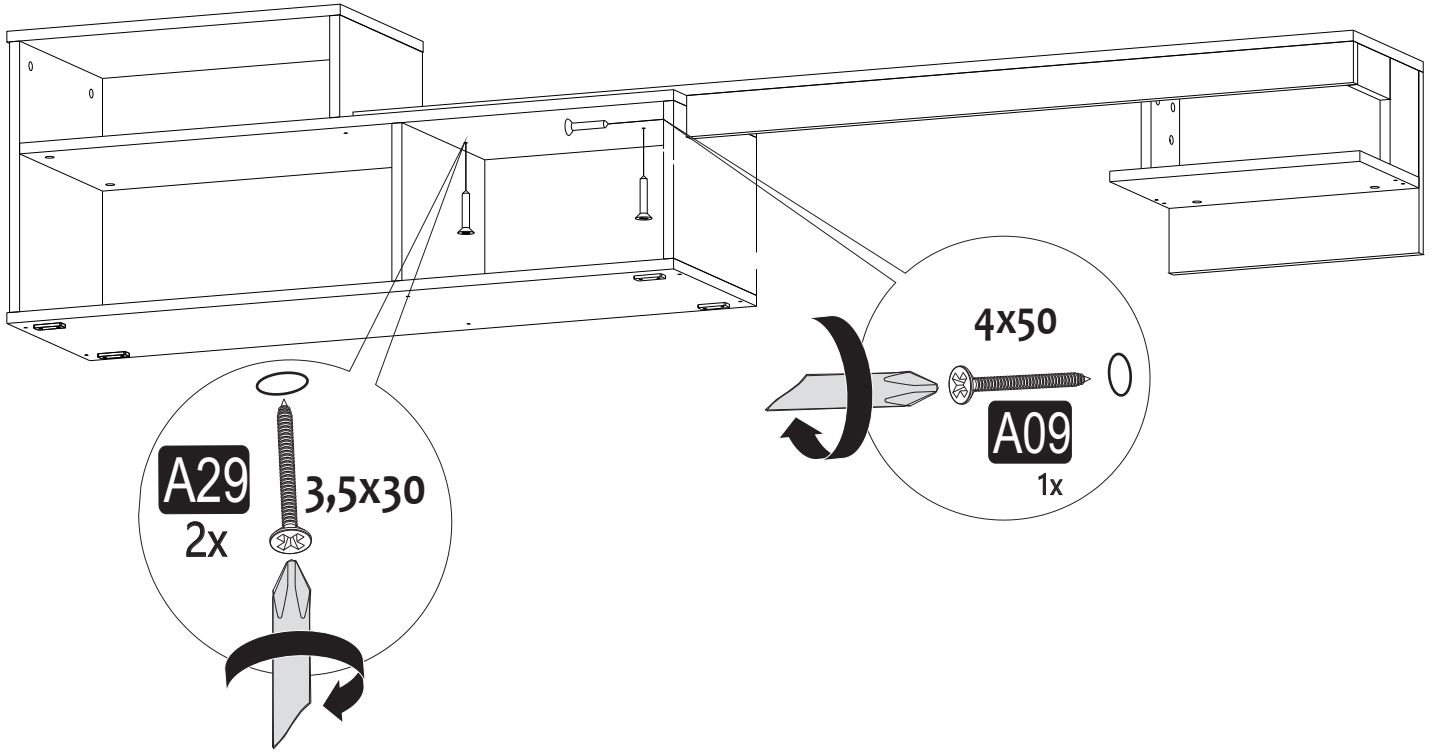
17



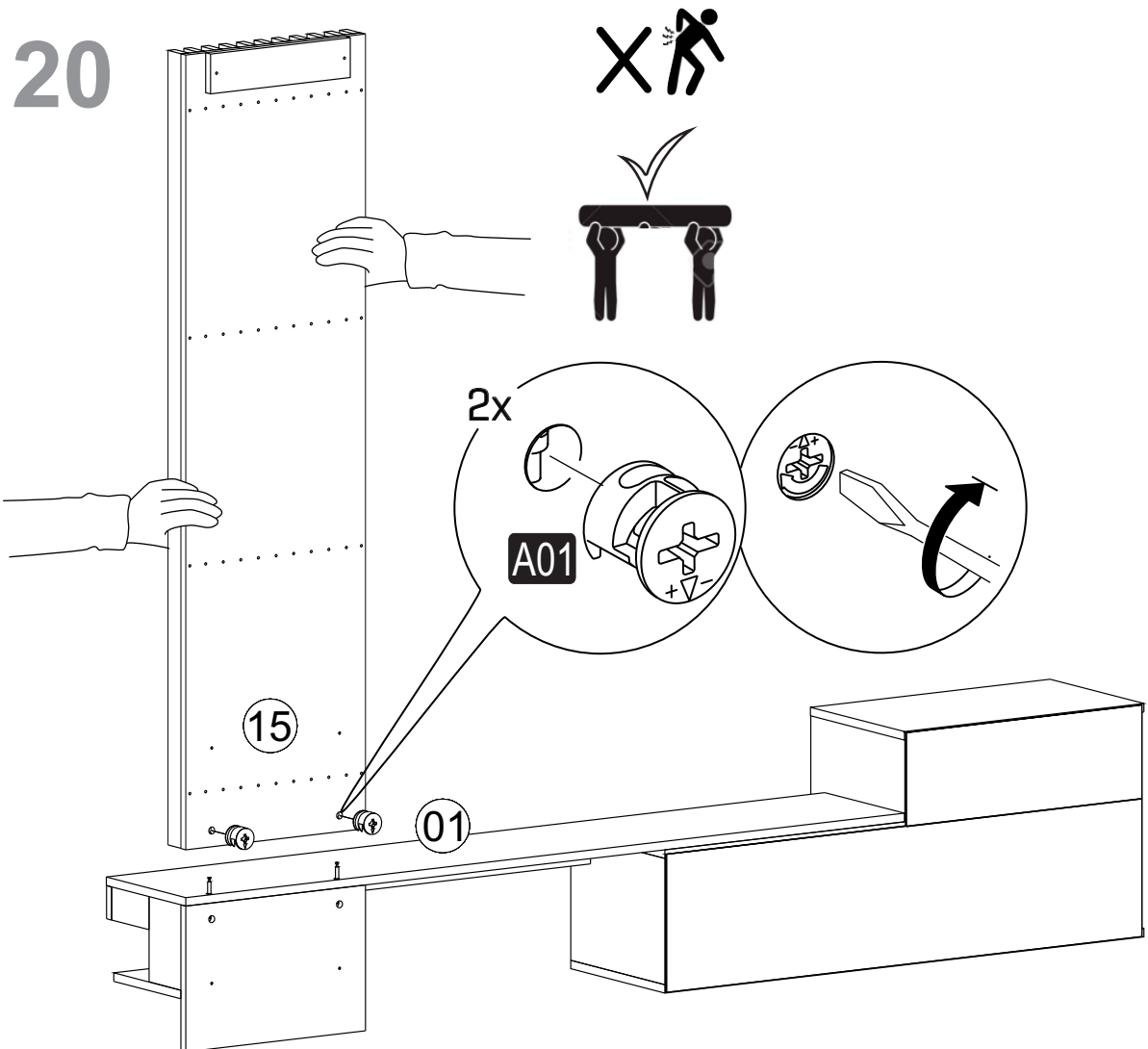
18



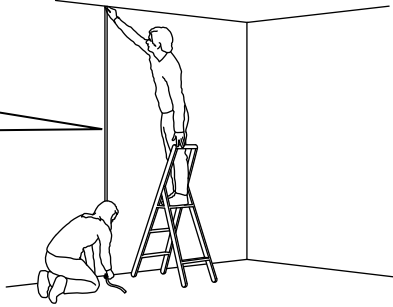
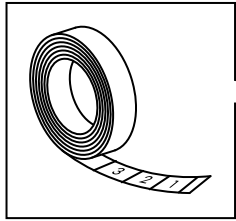
19



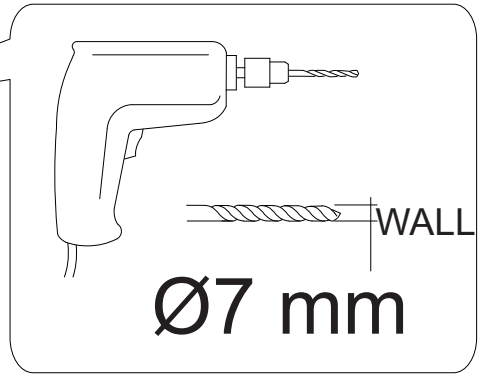
20



21

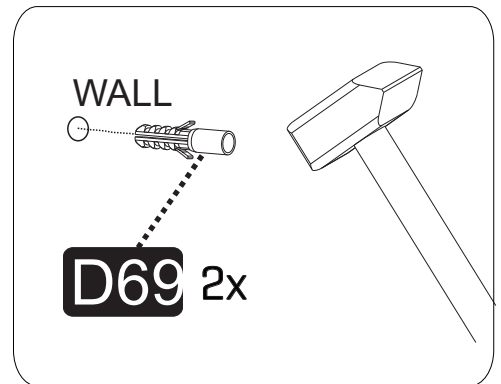


23



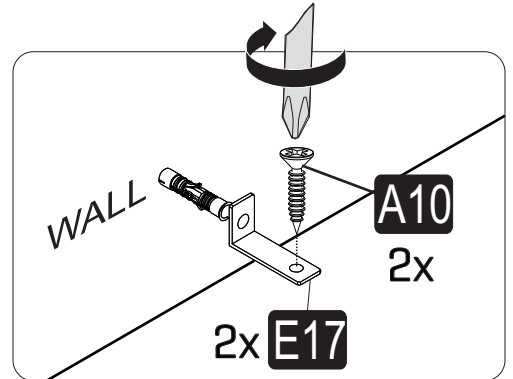
Ø7 mm

PART-1



D69 2x

PART-2



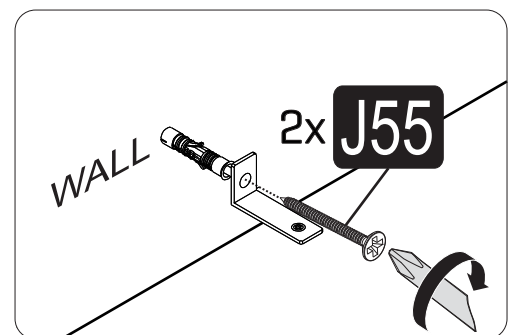
WALL

A10

2x

2x E17

PART-3

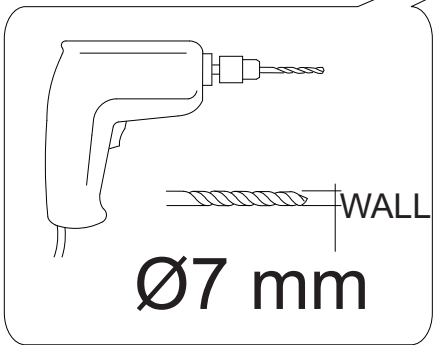
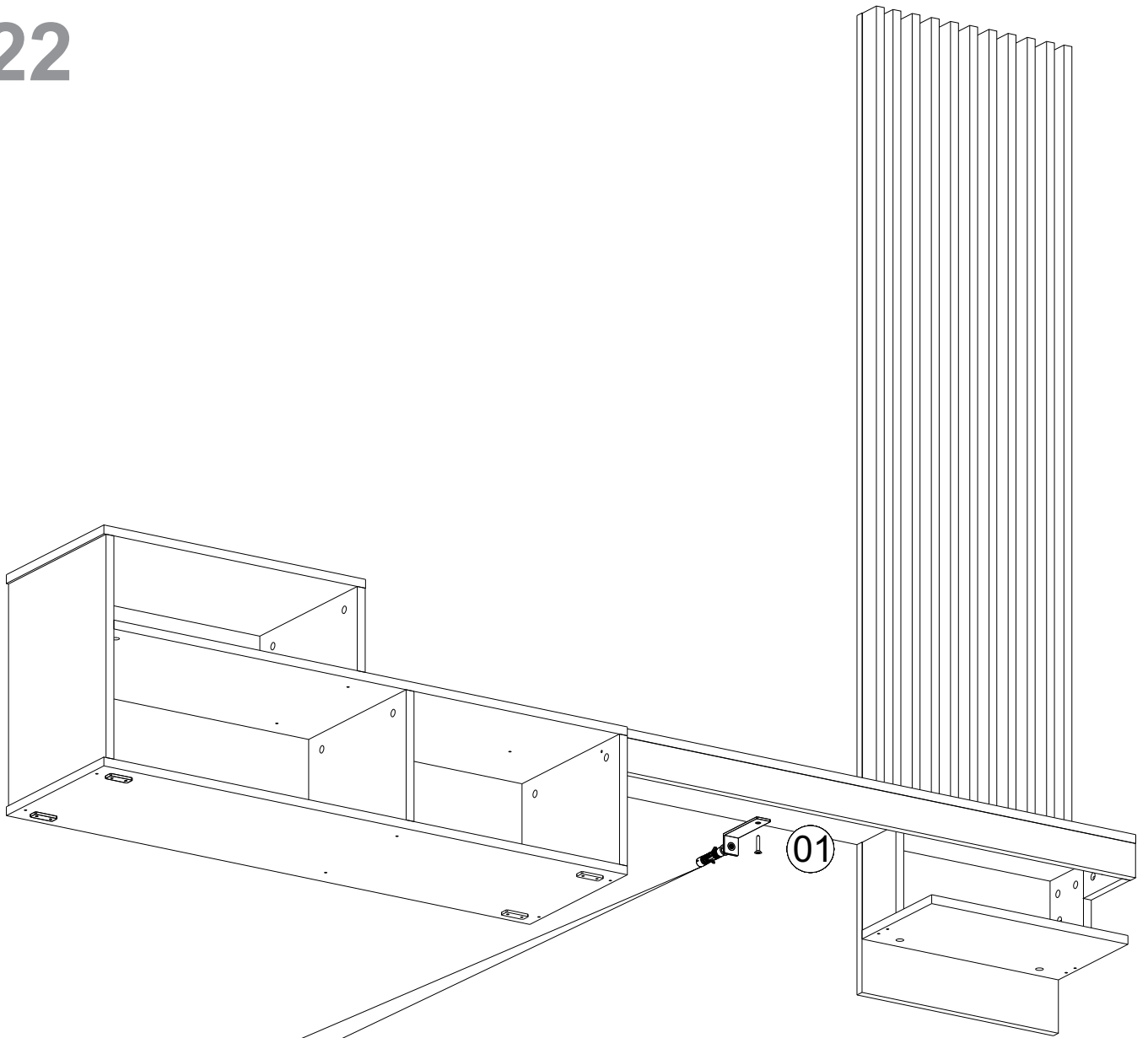


WALL

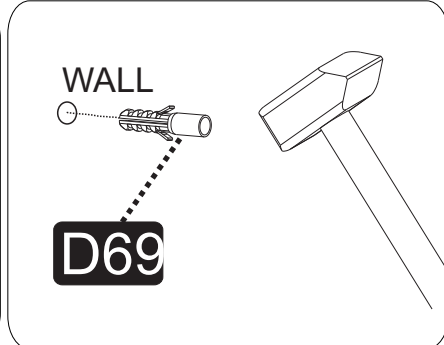
2x J55

PART-4

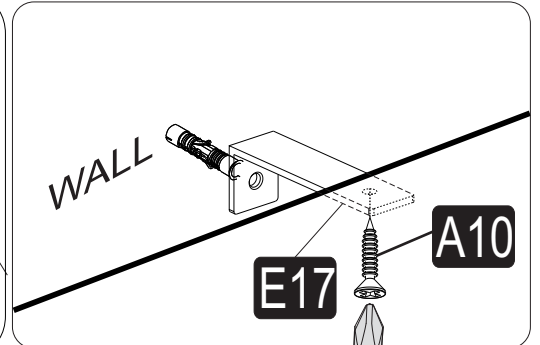
22



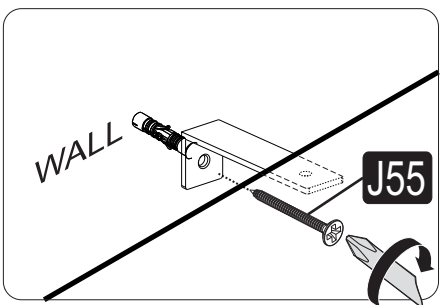
PART-1



PART-2

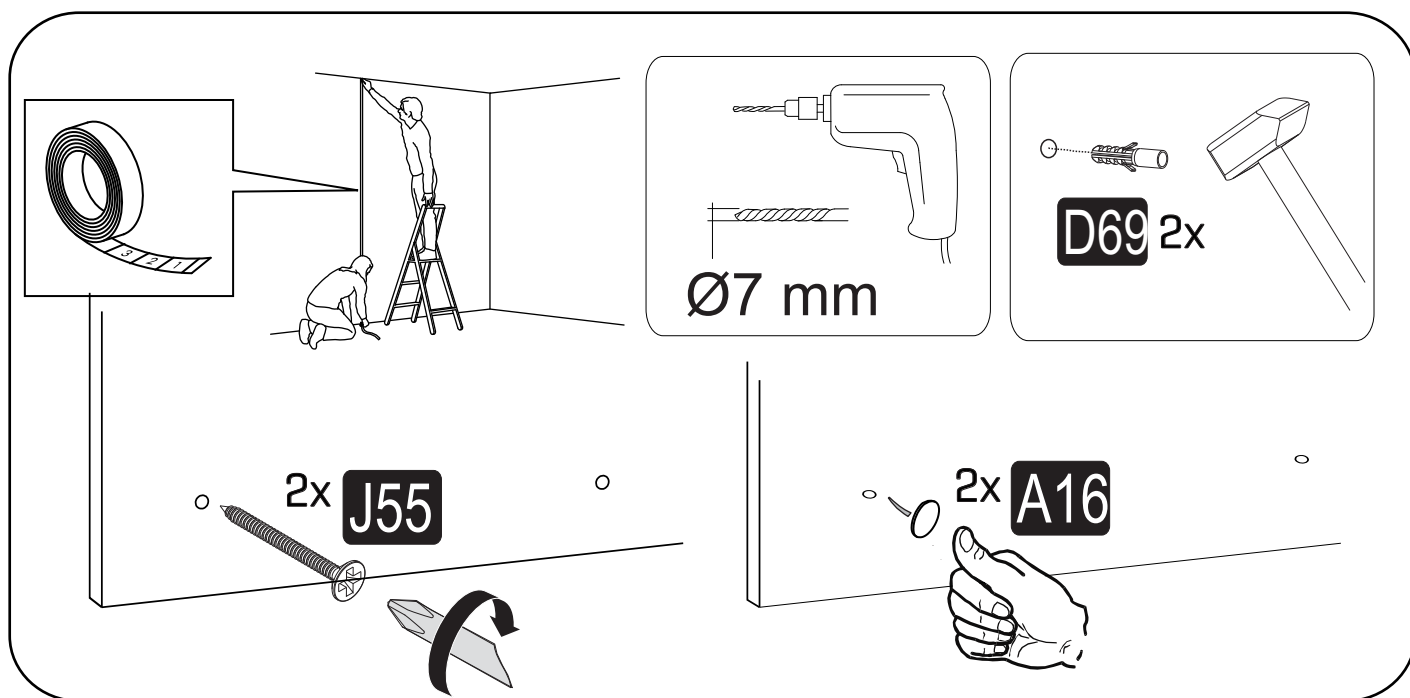
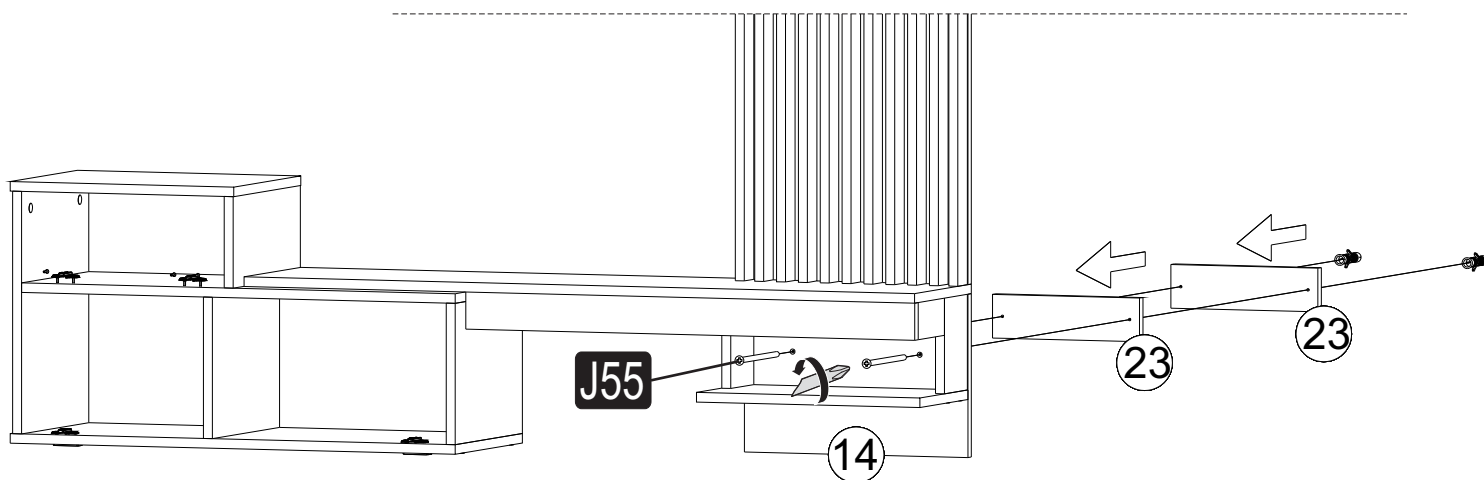


PART-3



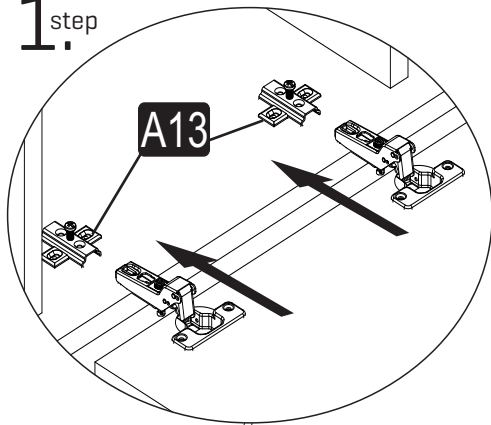
PART-4

23

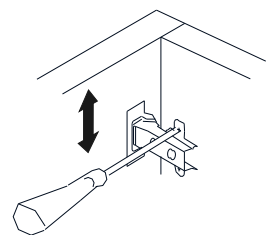
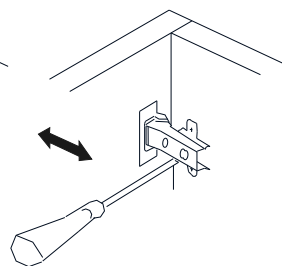
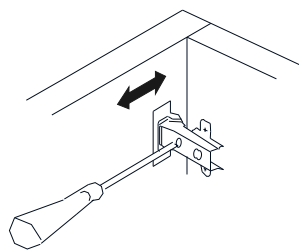
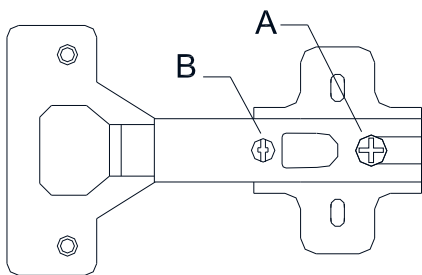
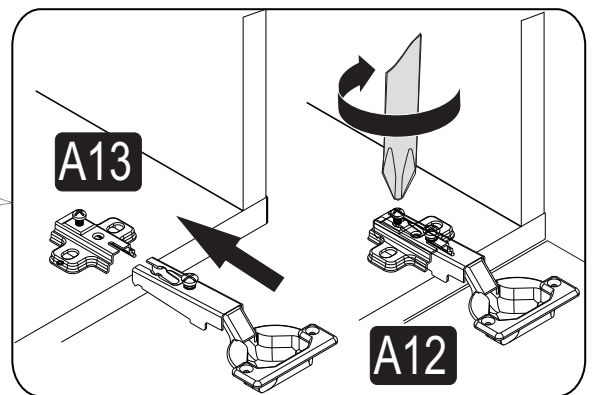
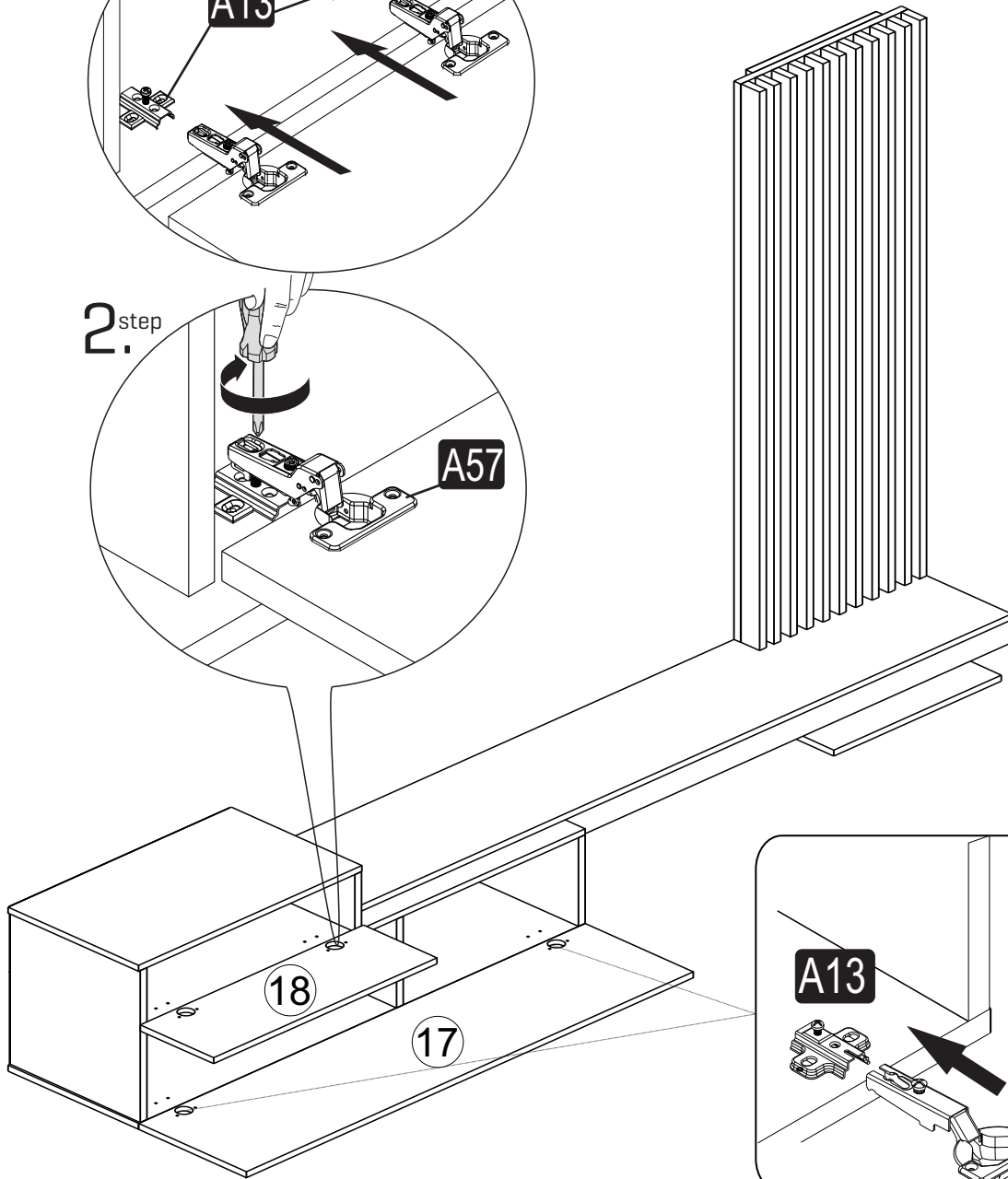
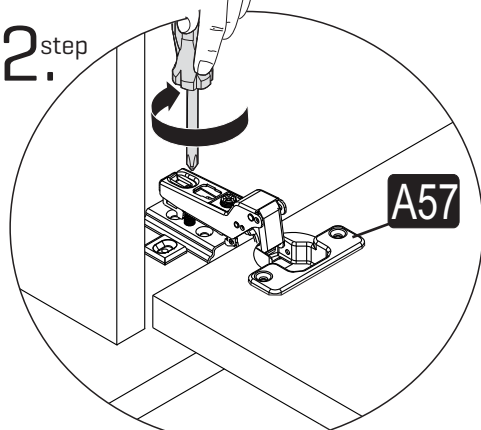


27

1. step



2. step



A = to connect the hinge to the door
 B = to arrange the door

arrows to show the directions for arrangement of doors.