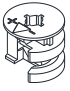
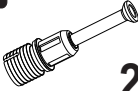


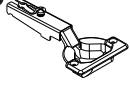




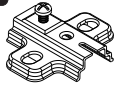
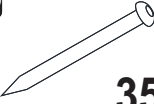

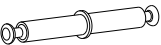
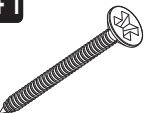
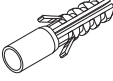
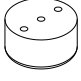
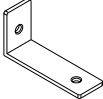
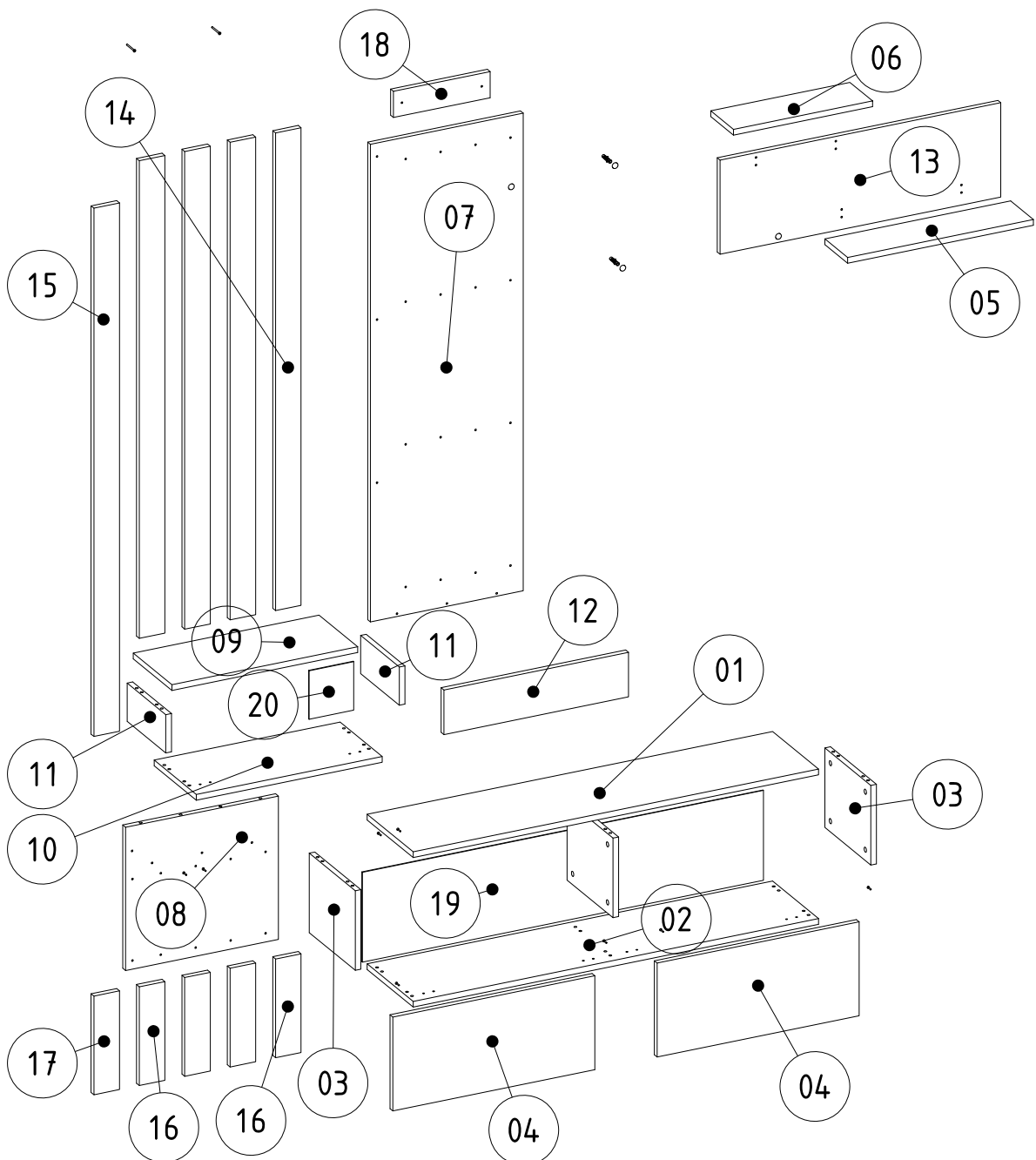


**i** GP042-0364,2

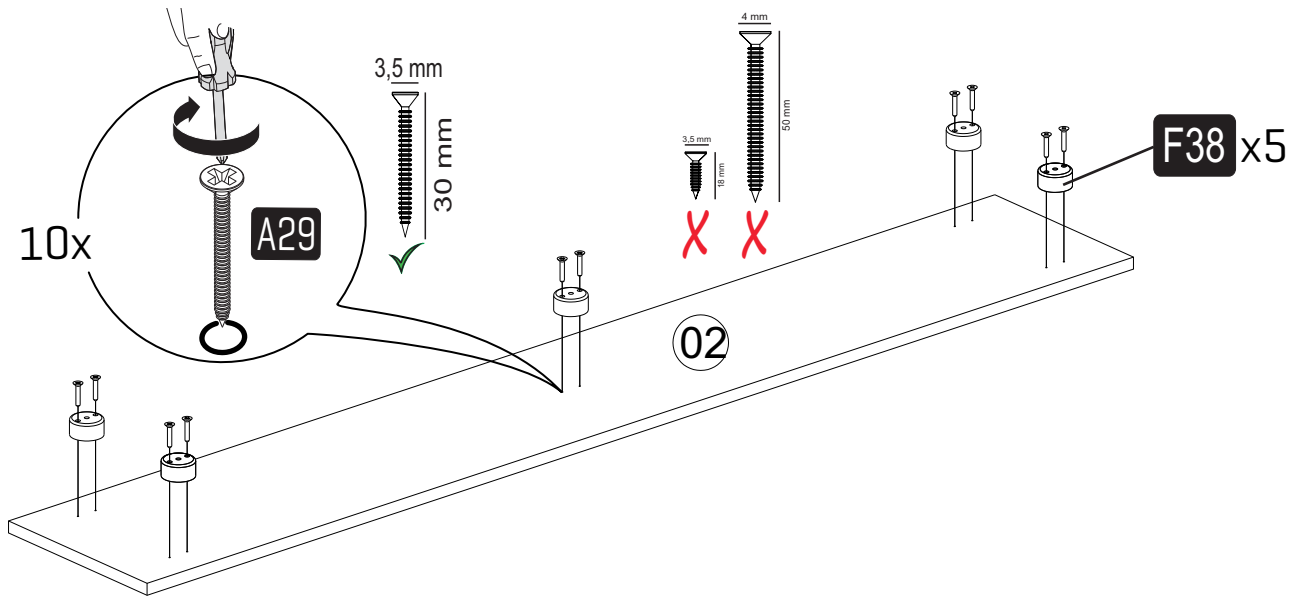


183 x 31,3 x 196,9cm

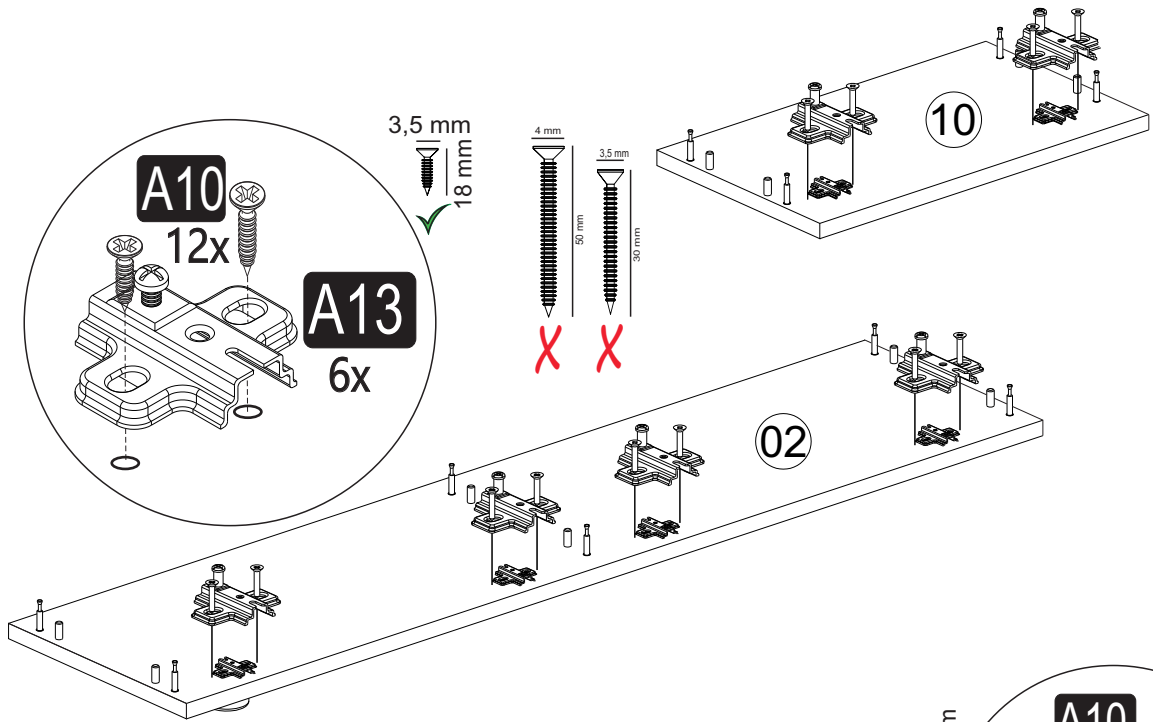
<b>A01</b>  28x	<b>A02</b>  20x	<b>A03</b>  20x	<b>A11</b>  2x	TDB <b>A12</b>  4x
<b>A04</b>  A 20x D 8x	<b>A16</b>  A 38x D 8x	<b>A09</b>  4x50 10x	<b>A10</b>  3,5x18 24x	<b>A13</b>  6x
<b>A28</b>  35x	<b>A29</b>  3,5x30 44x	<b>A56</b>  7x68 mm 4x	<b>D41</b>  5x70 6x	<b>D69</b>  ø8 6x
<b>F38</b>  25 MM 5x	<b>E17</b>  2x			



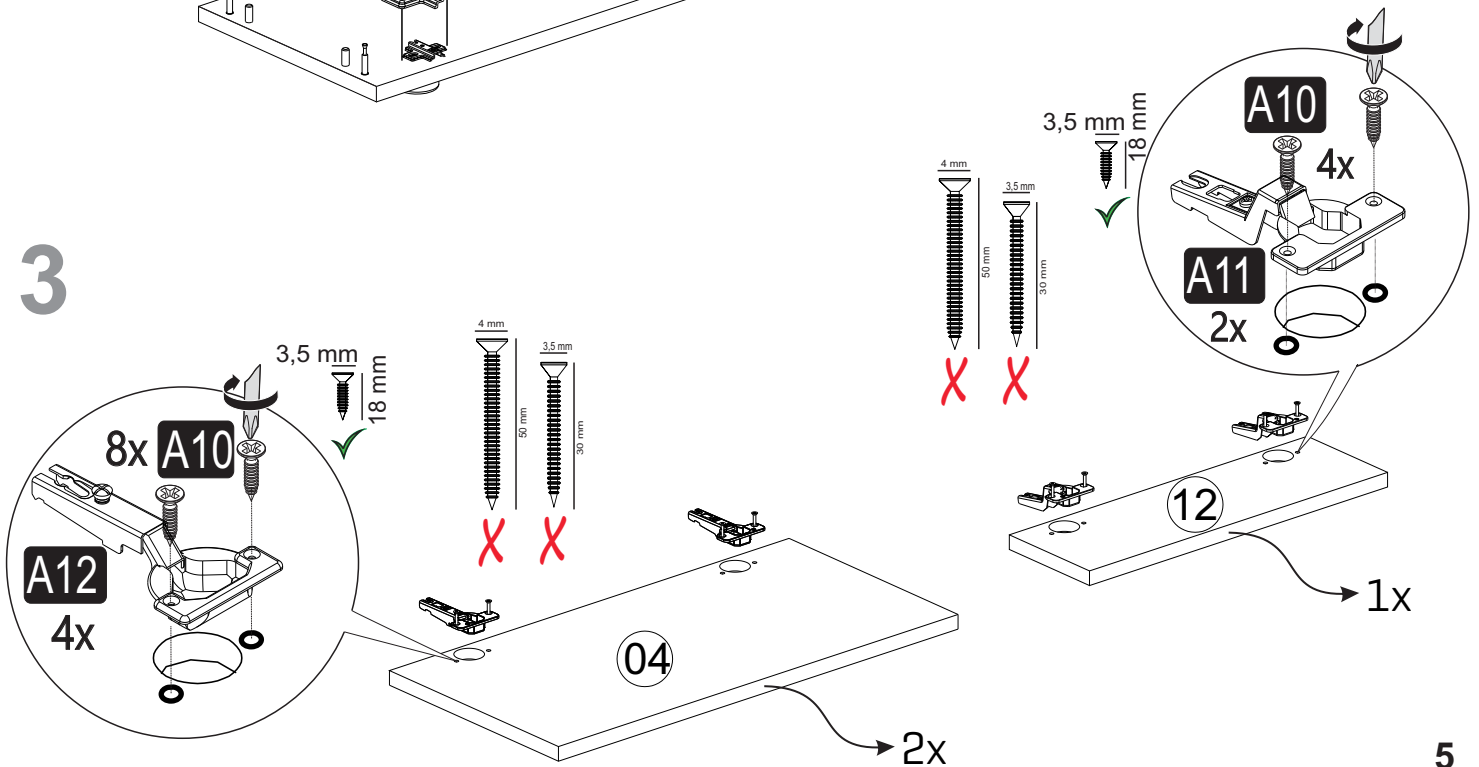
1



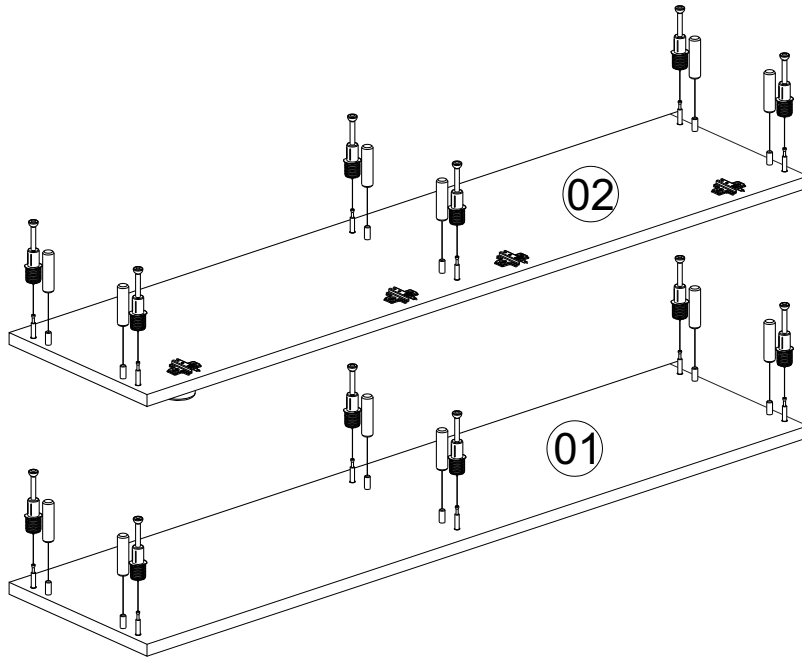
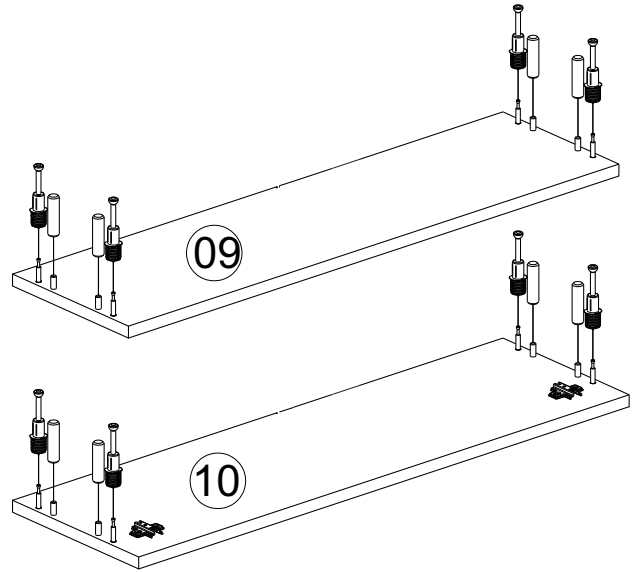
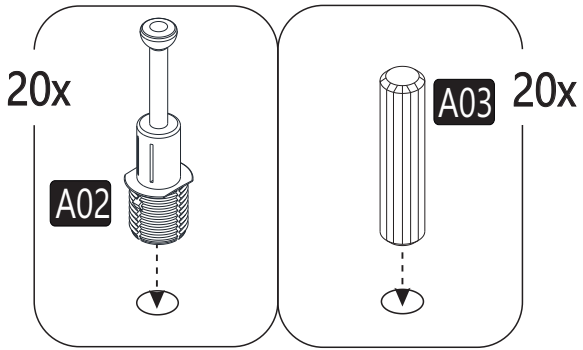
2



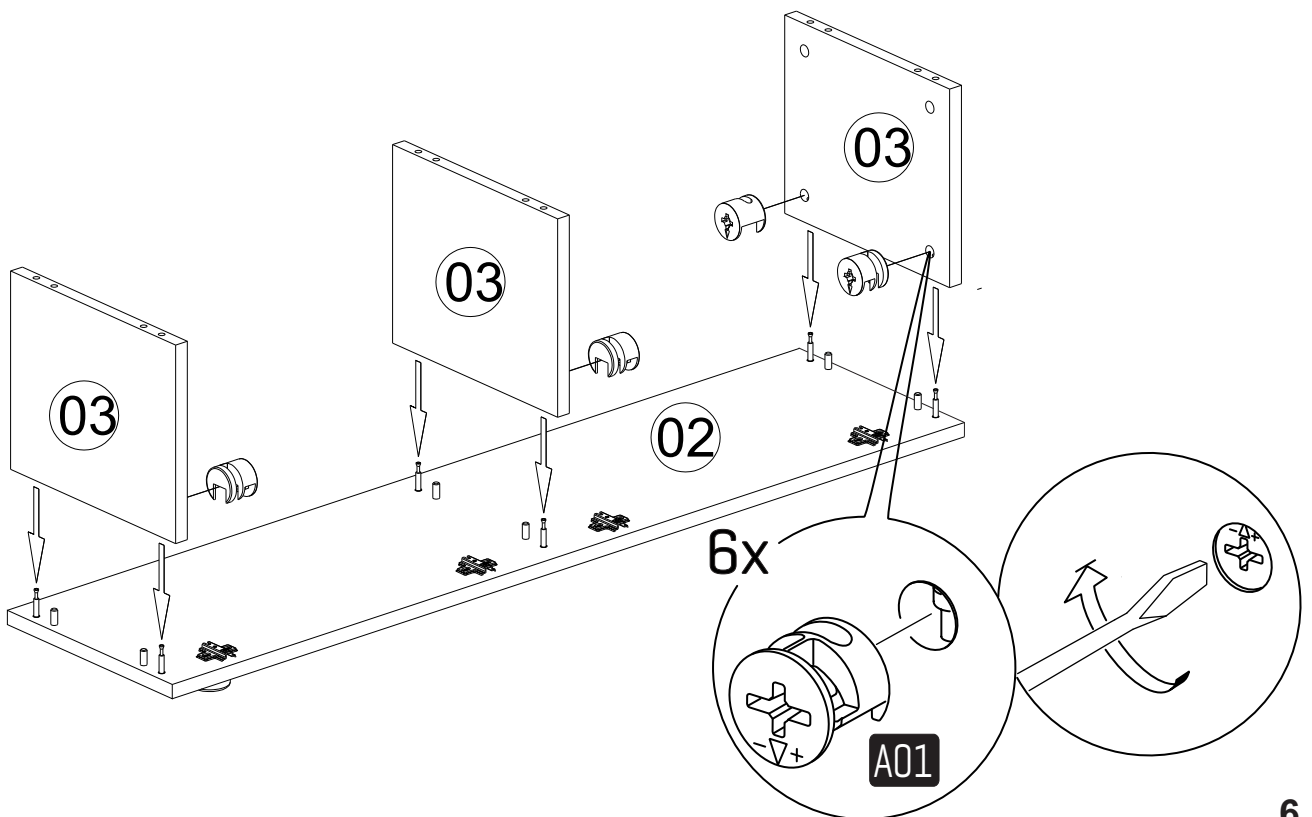
3



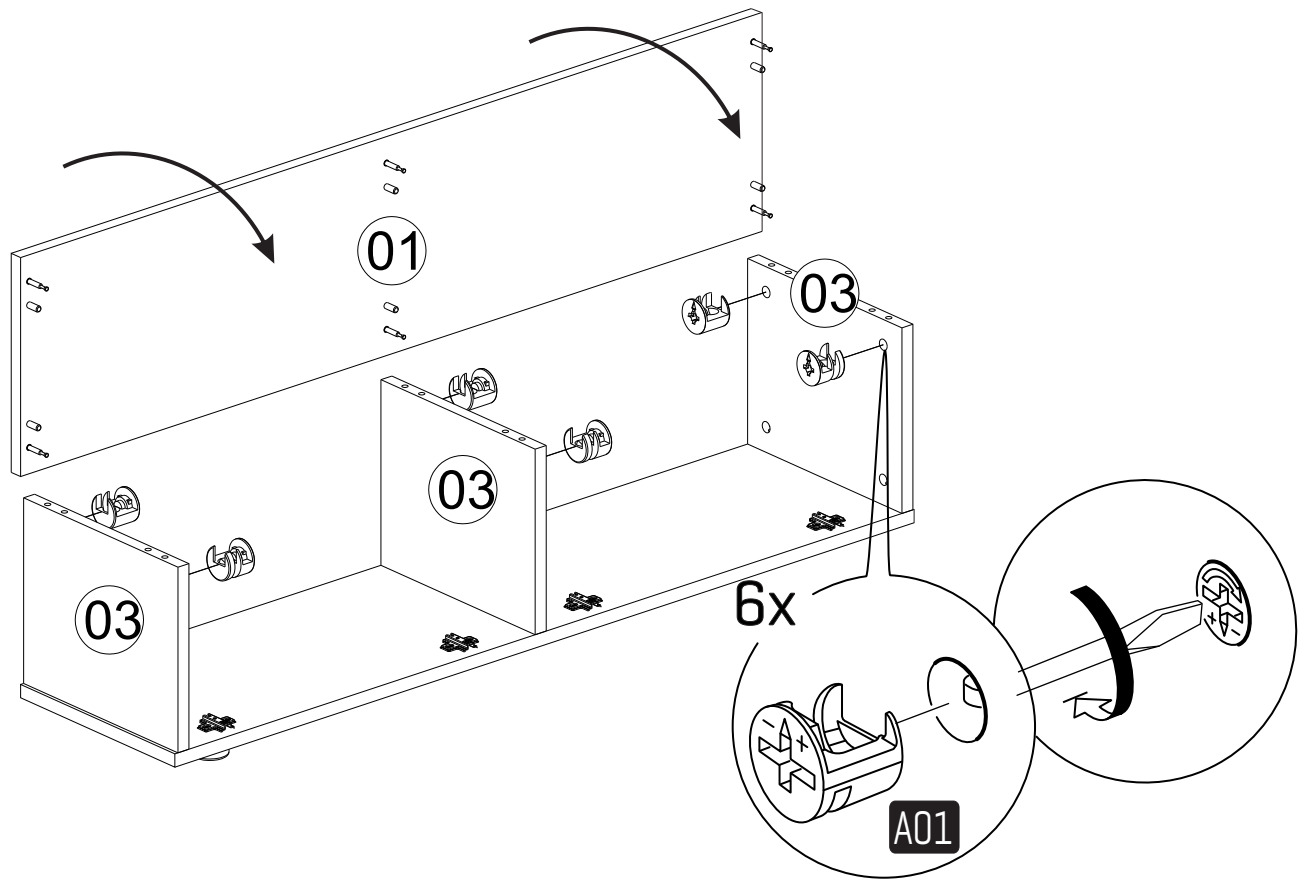
4



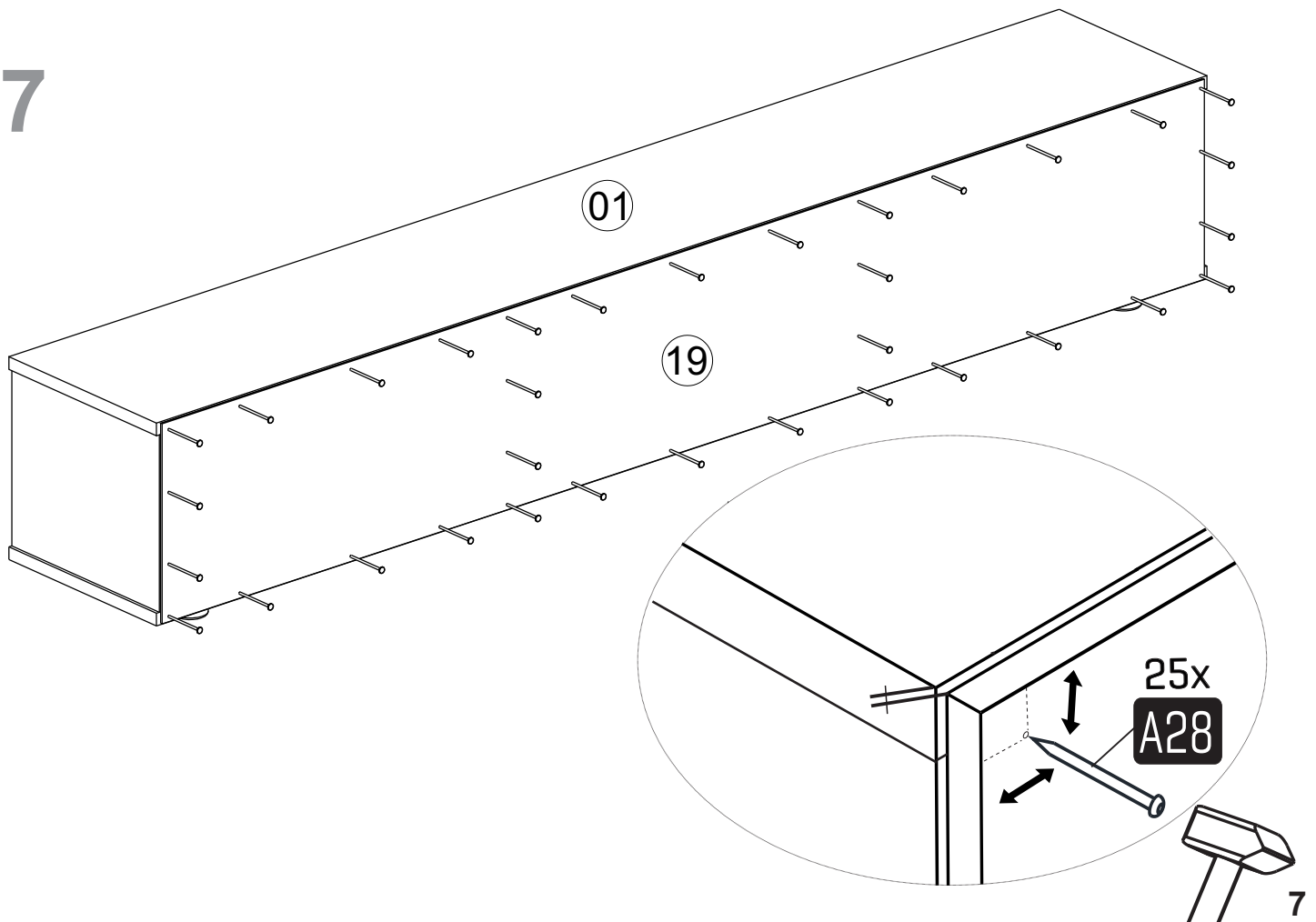
5



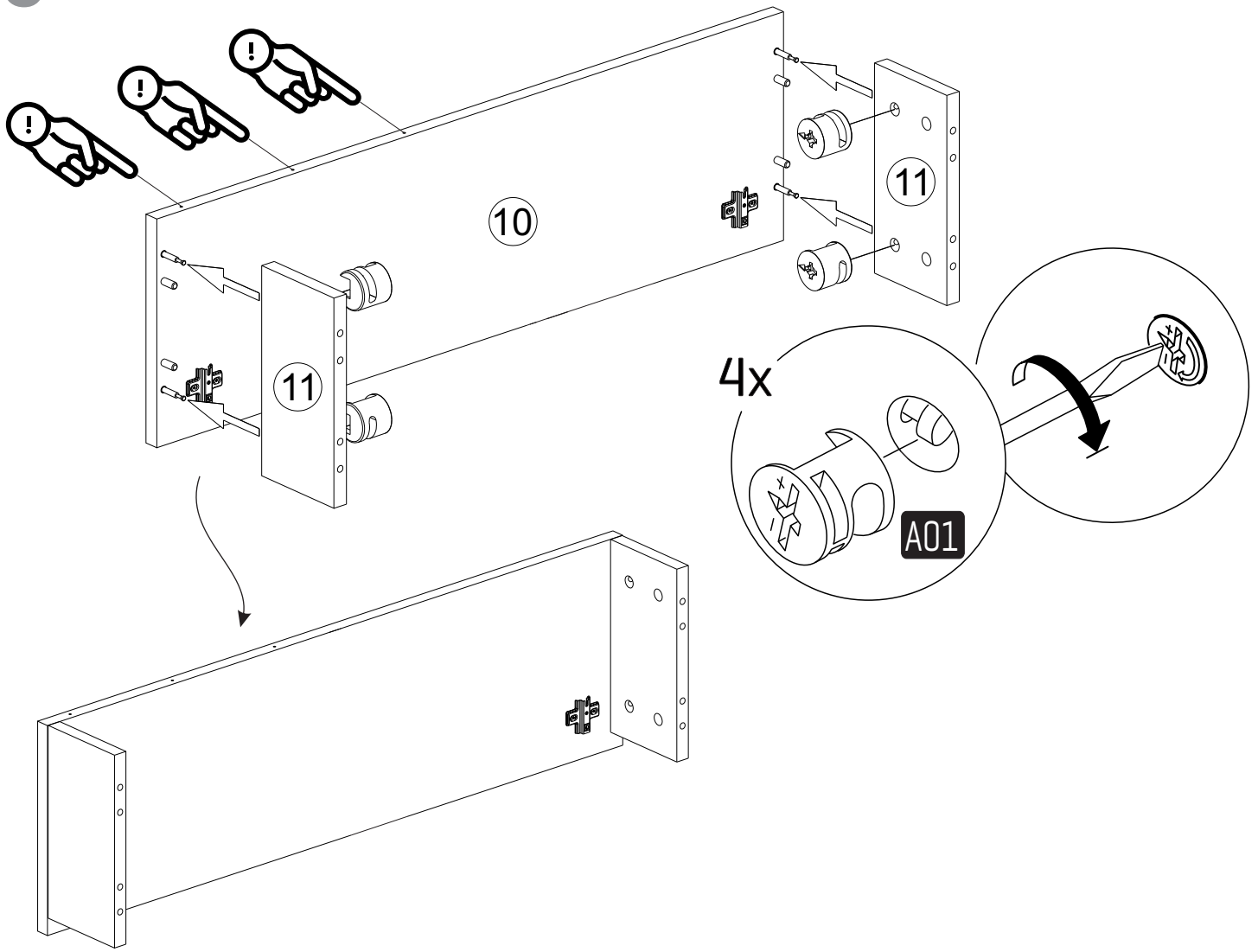
6



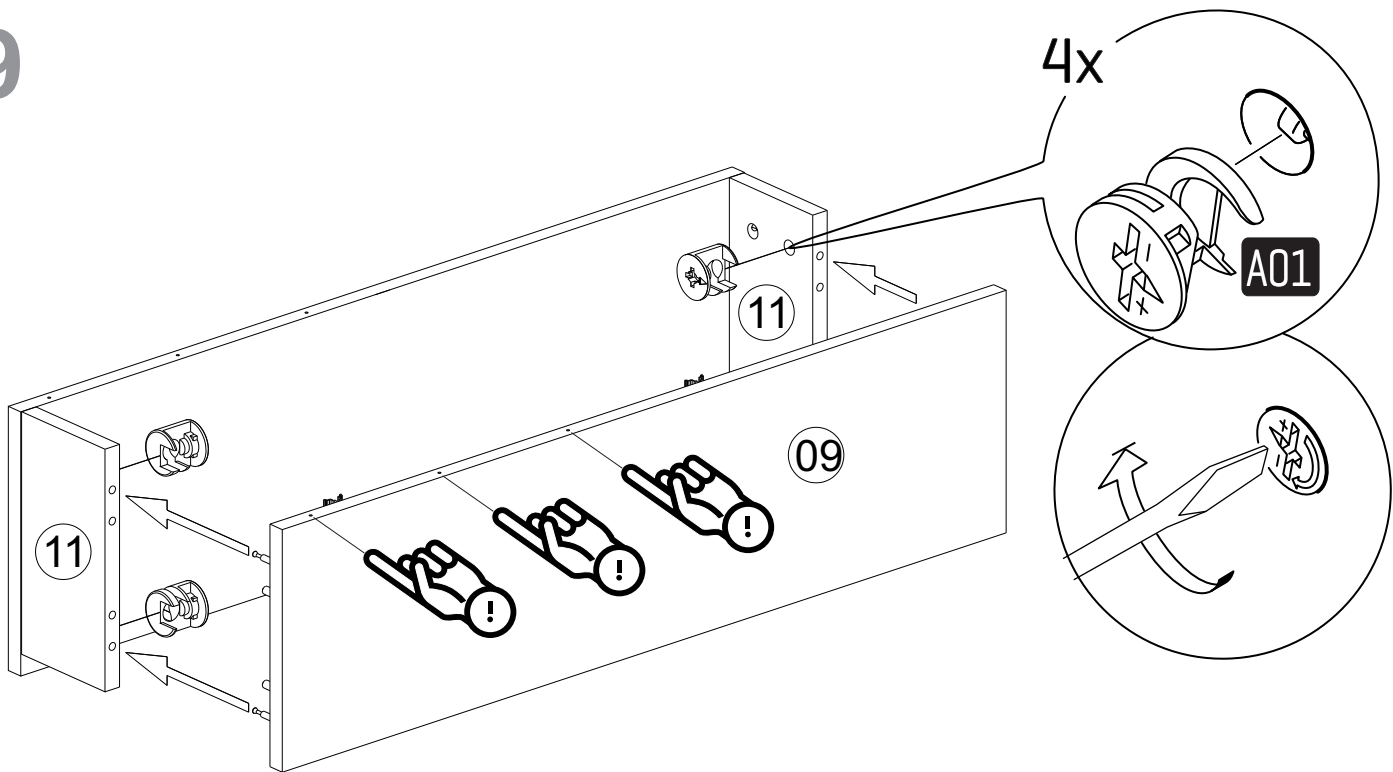
7



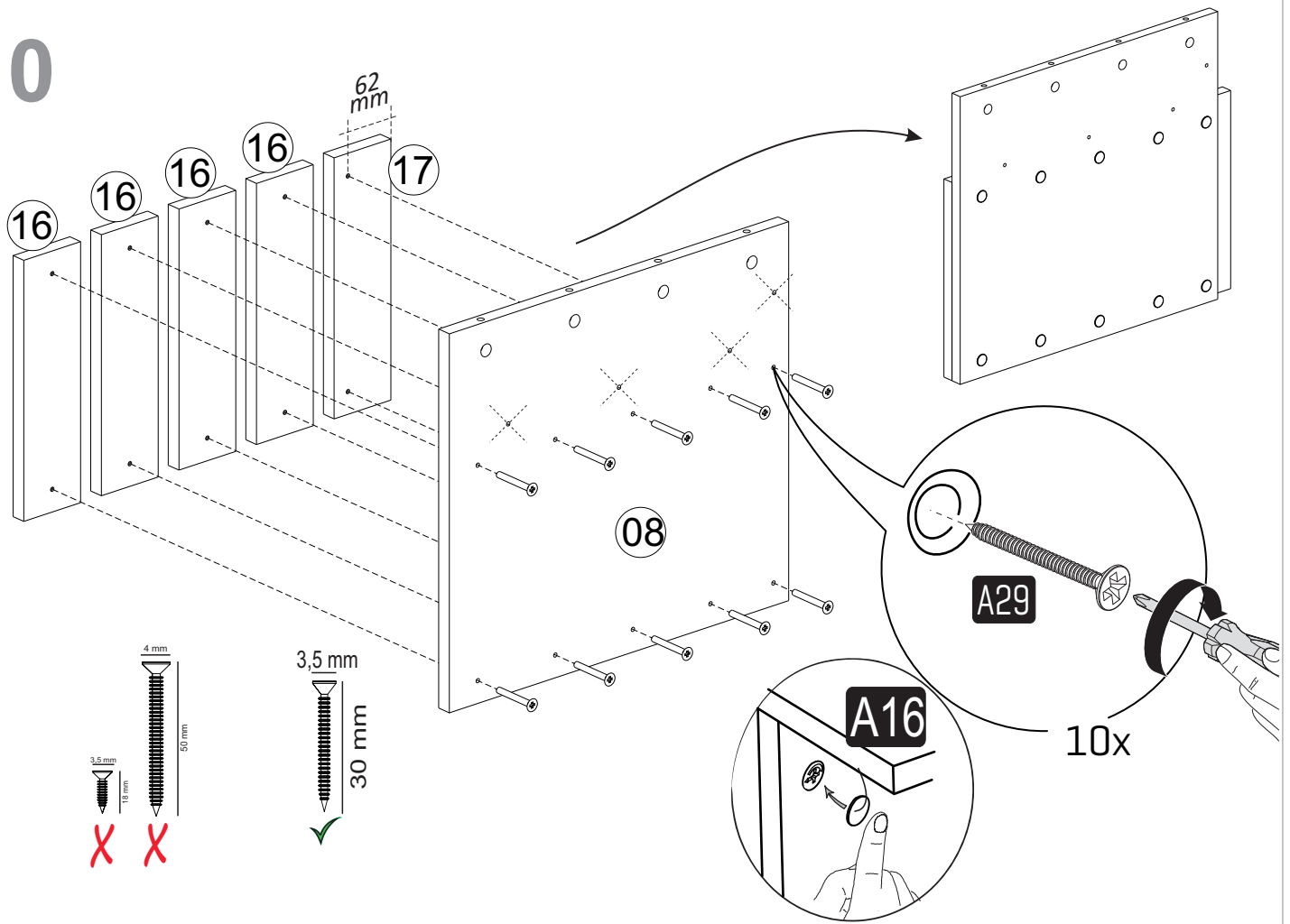
8



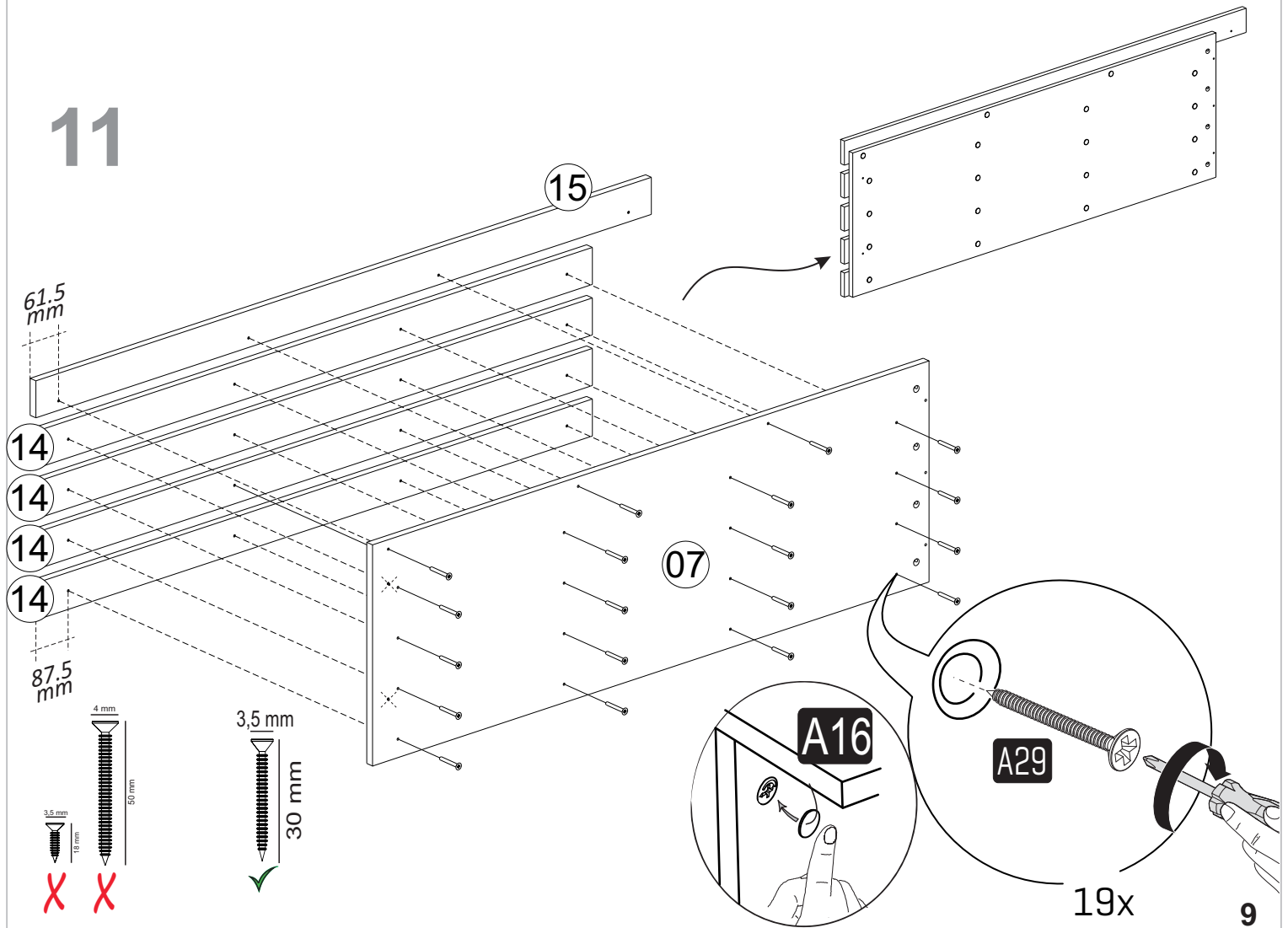
9



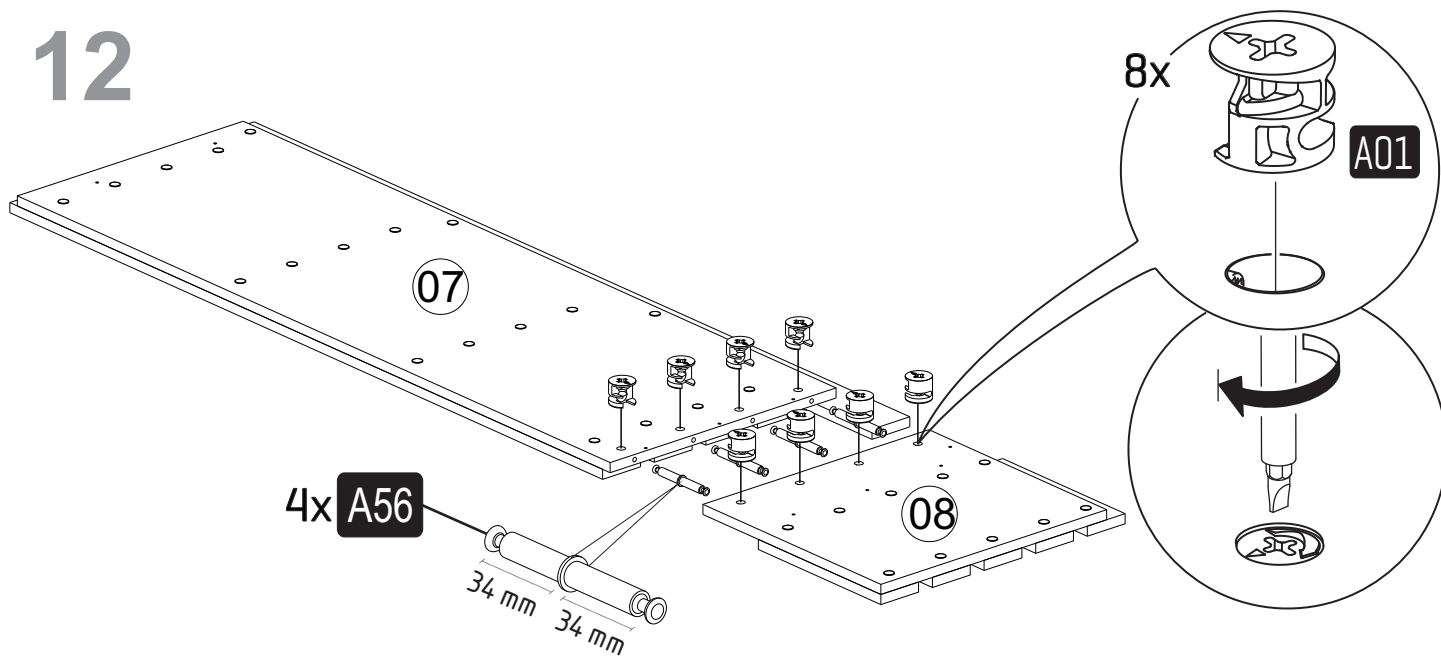
# 10



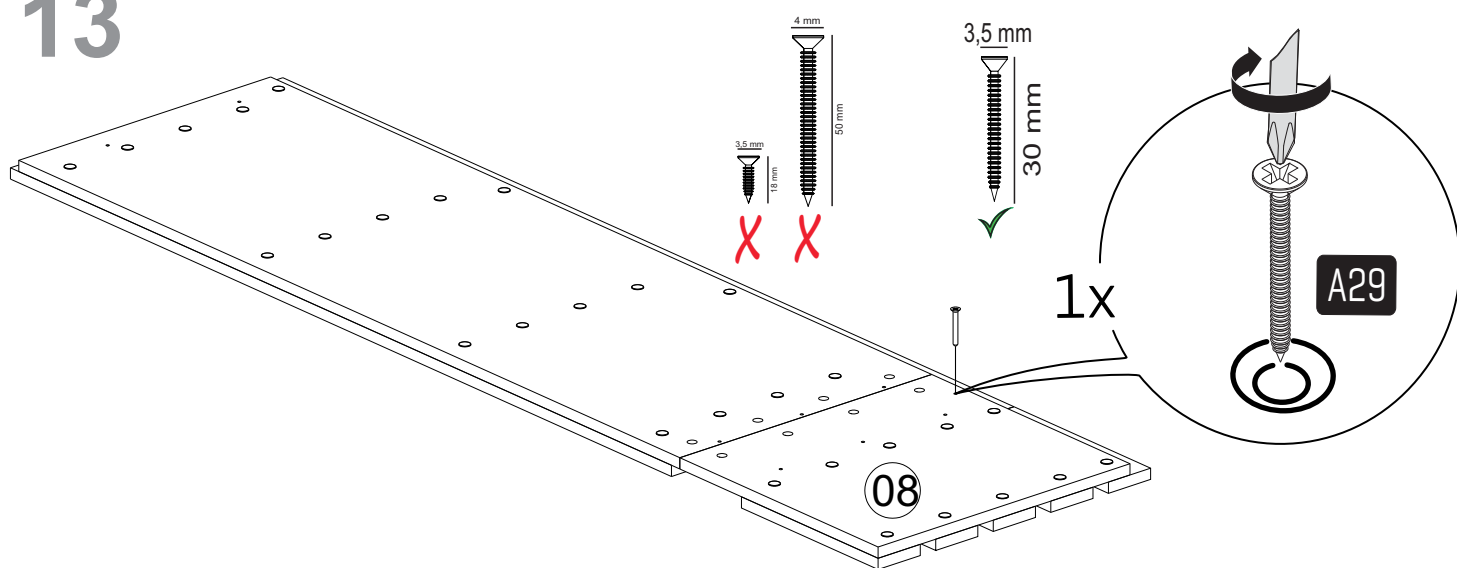
# 11



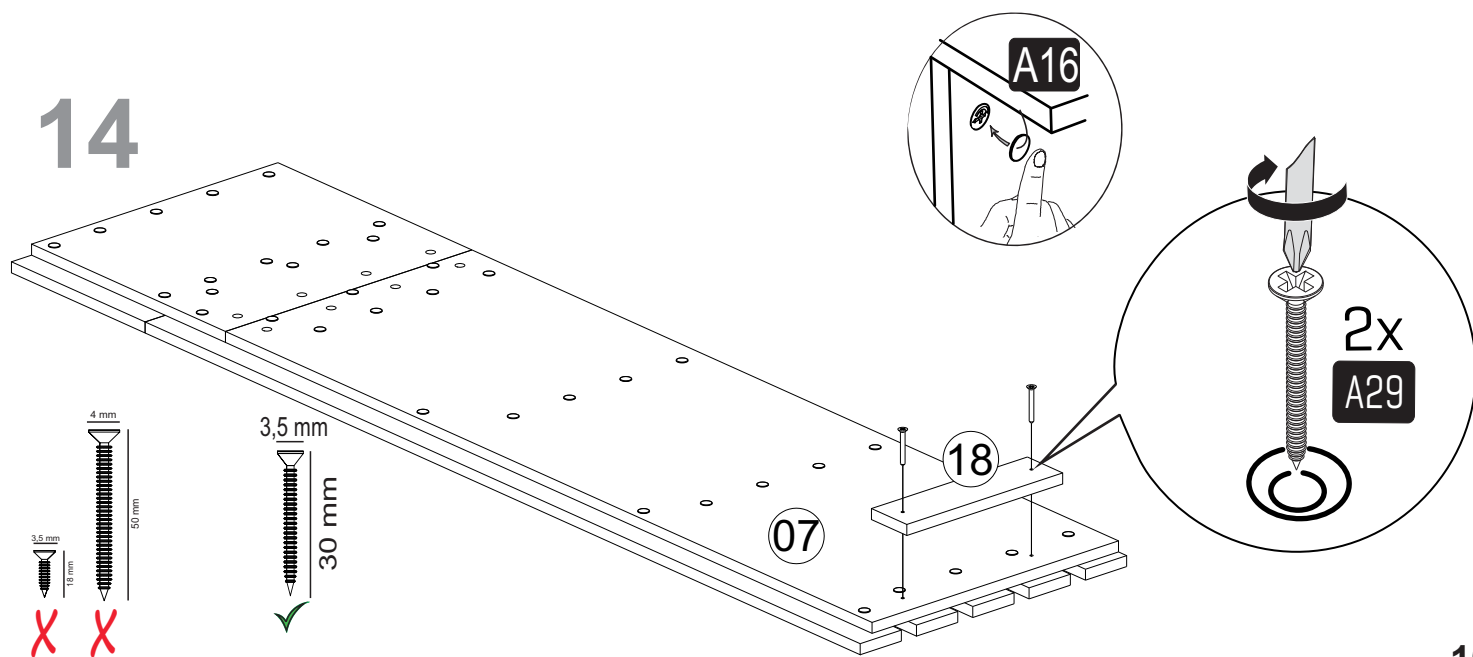
# 12



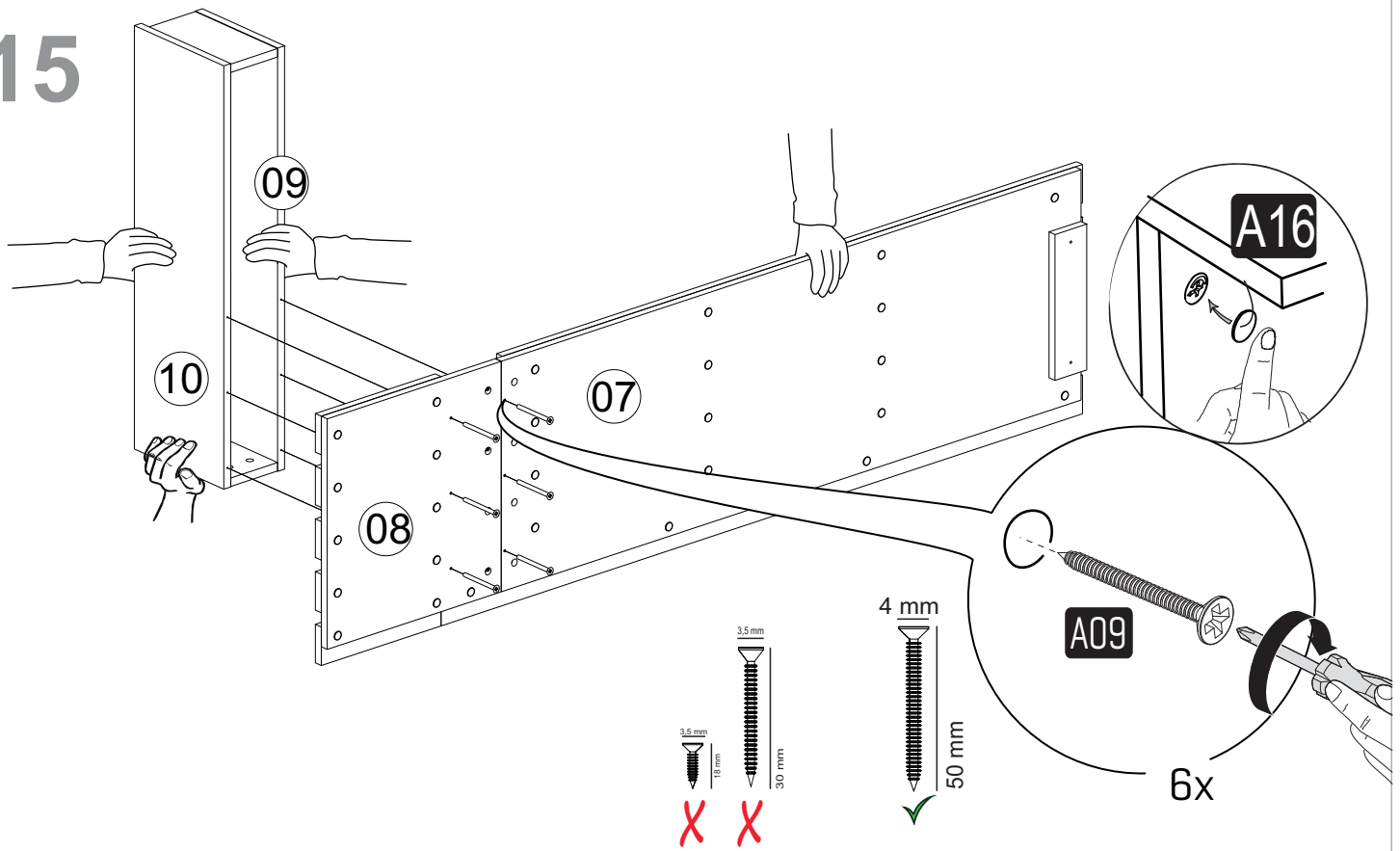
# 13



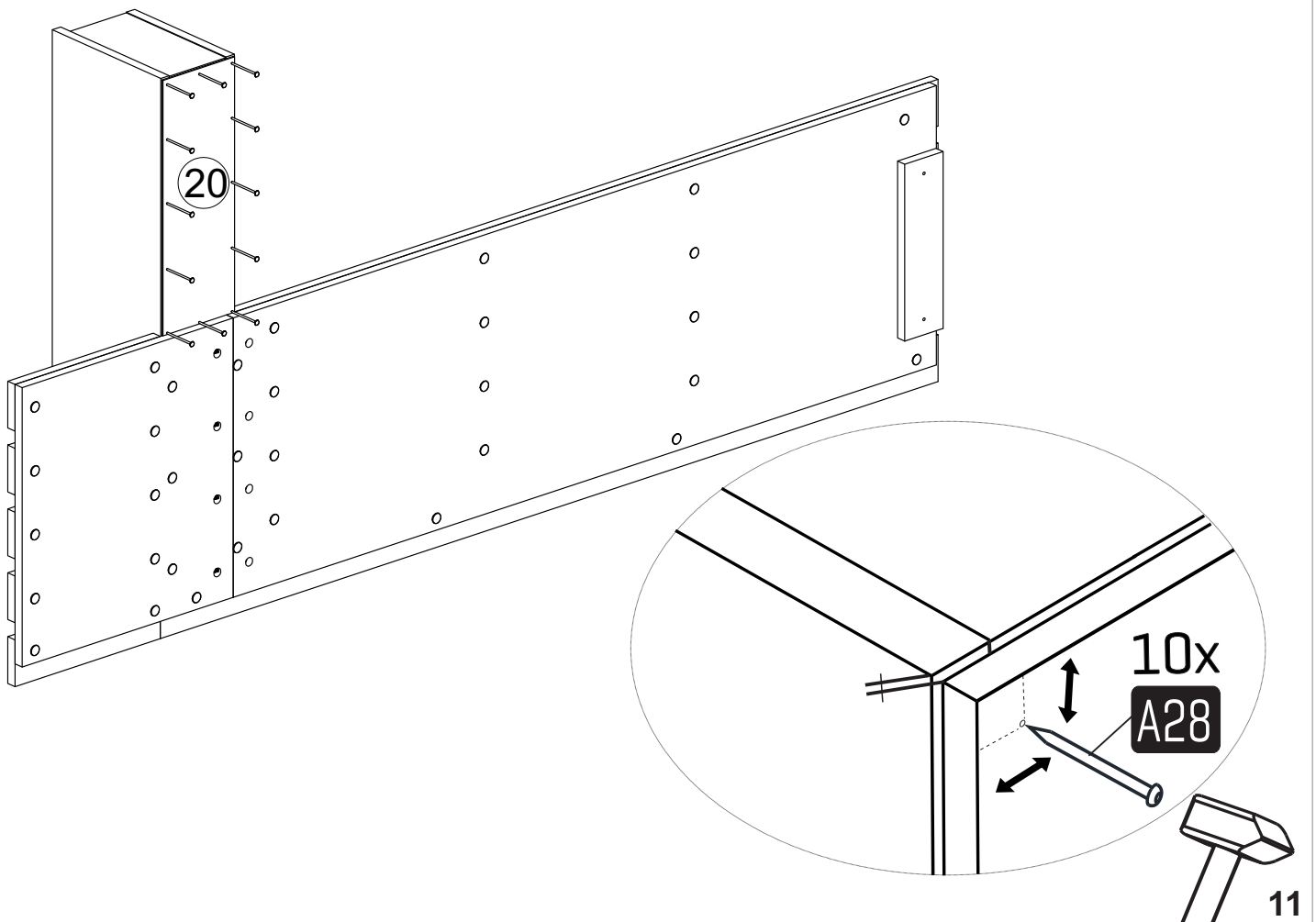
# 14



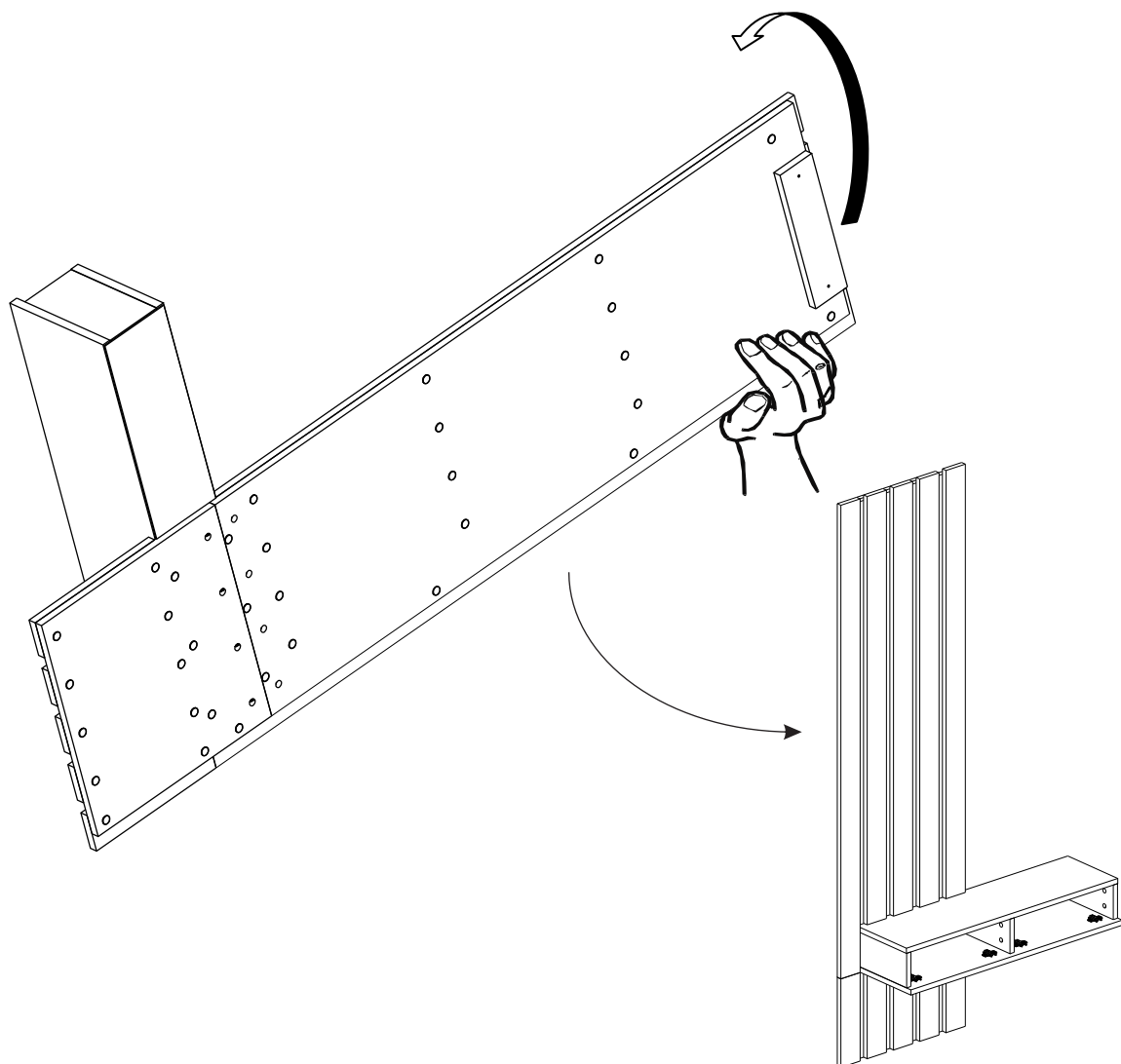
# 15



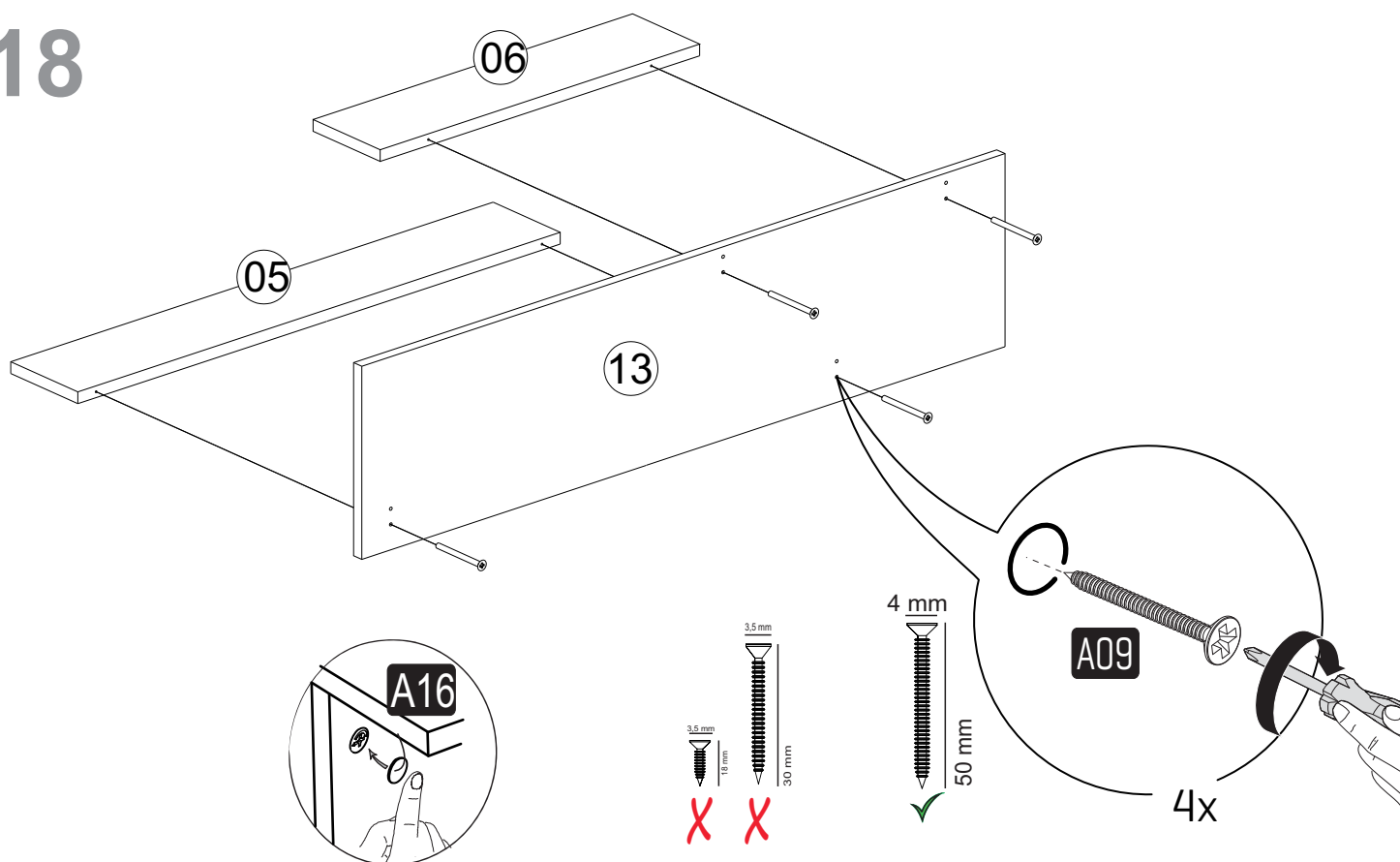
# 16



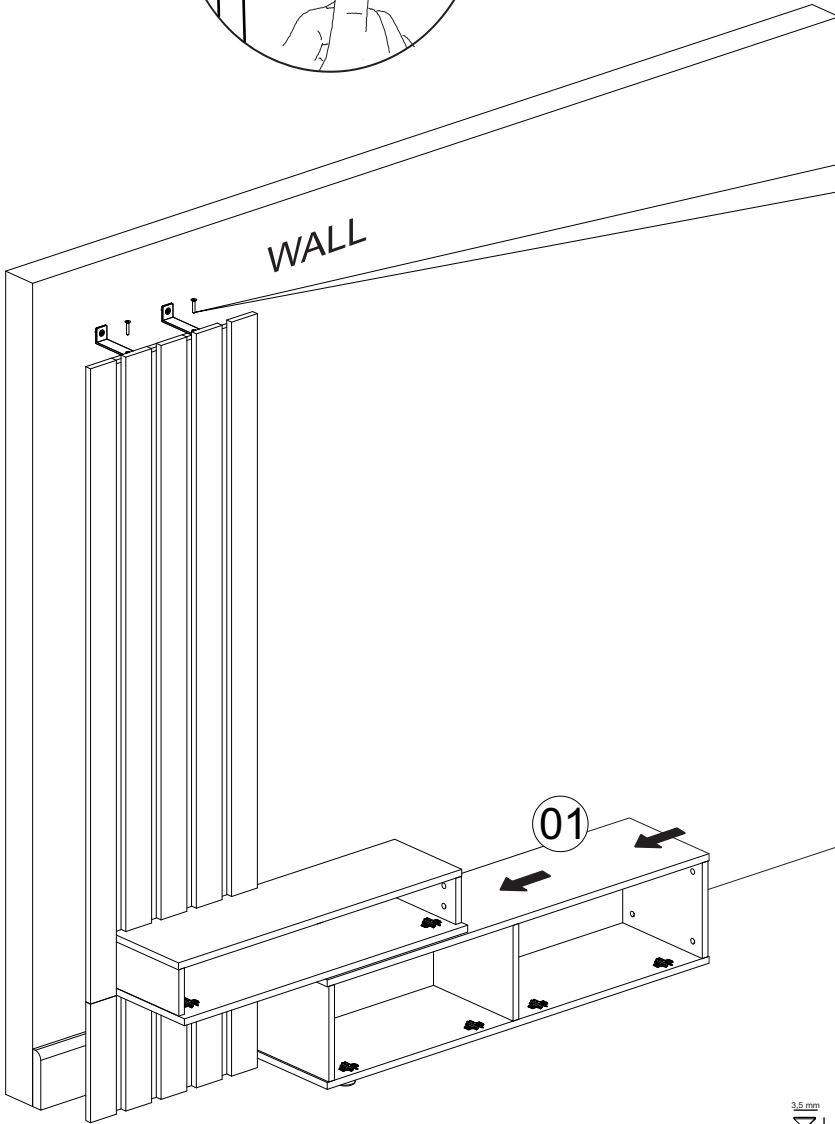
# 17



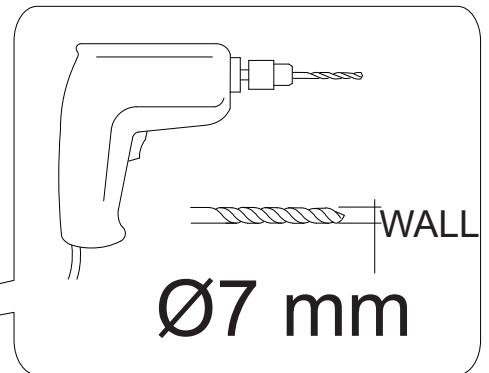
# 18



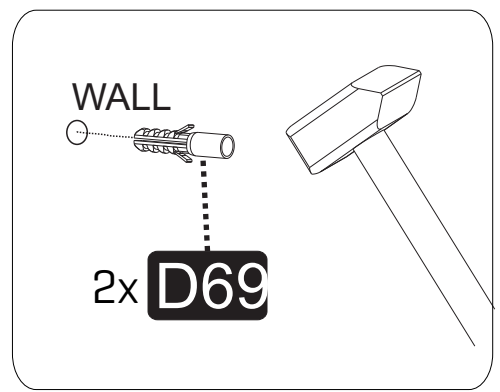
# 19



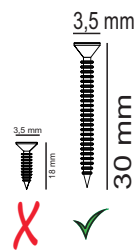
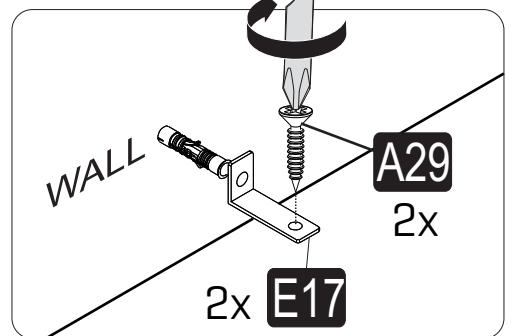
## PART-1



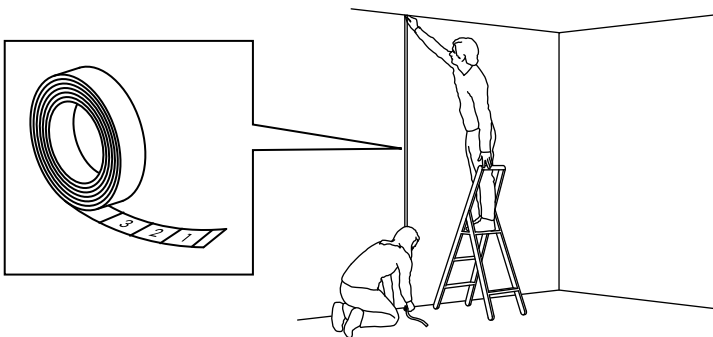
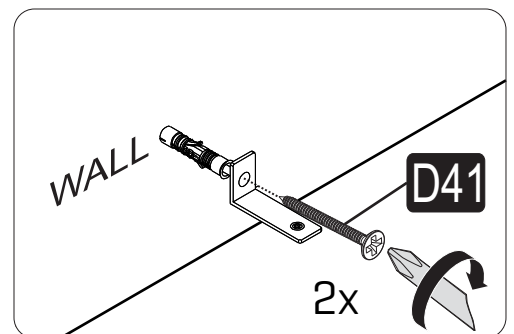
## PART-2



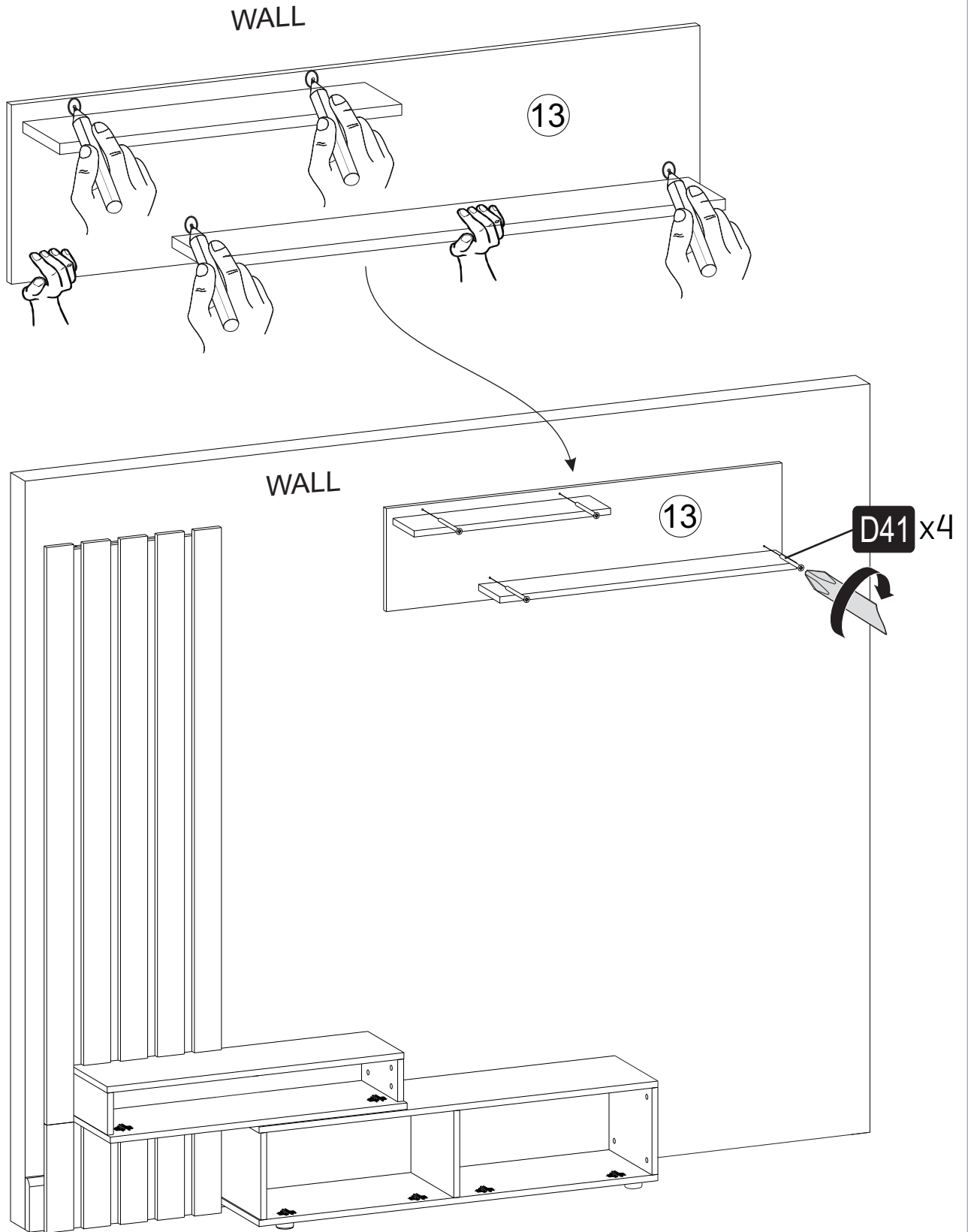
## PART-3



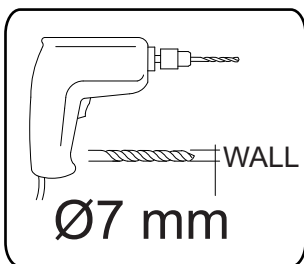
## PART-4



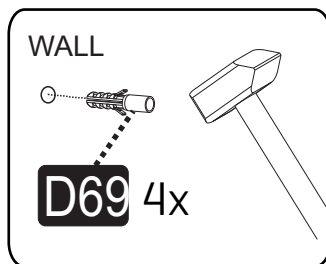
20



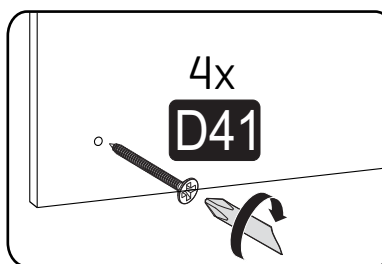
PART-1



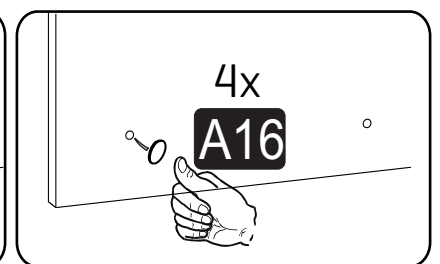
PART-2



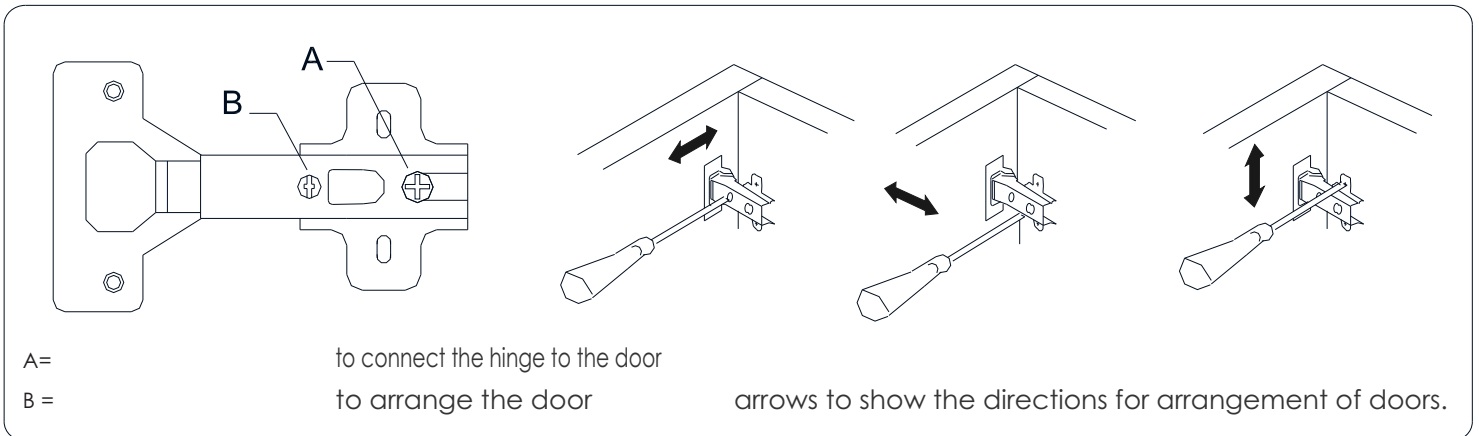
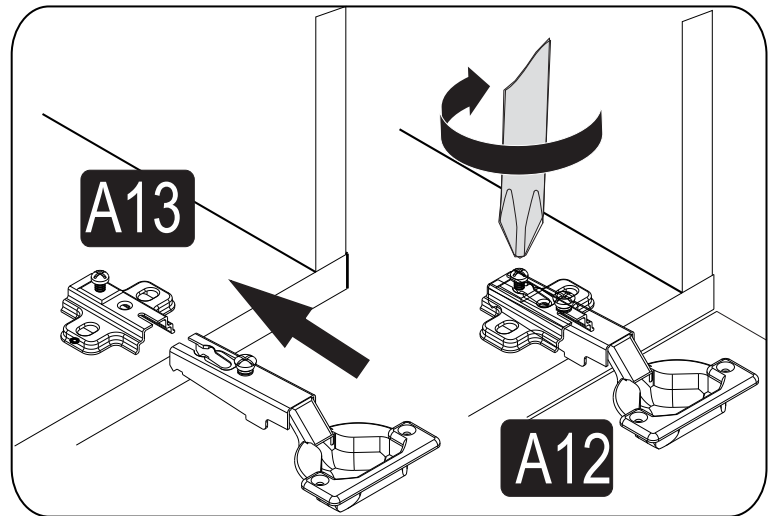
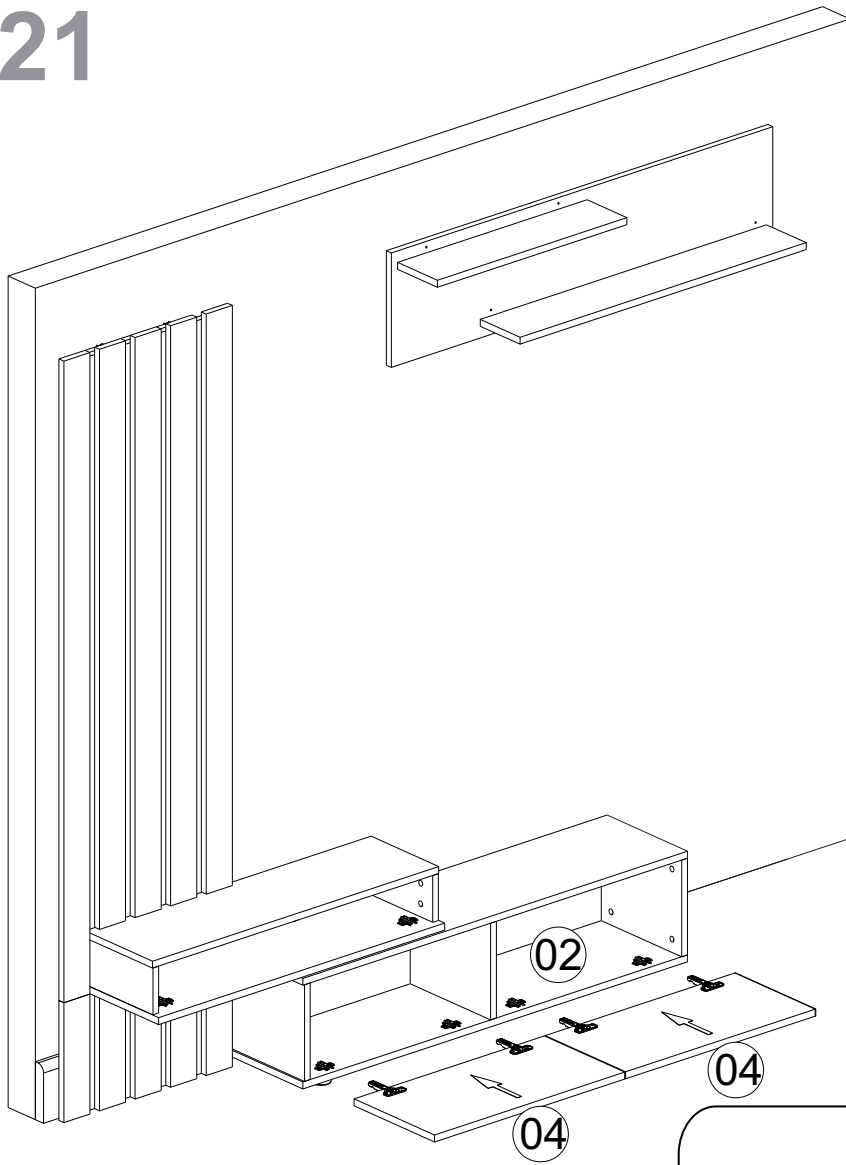
PART-3



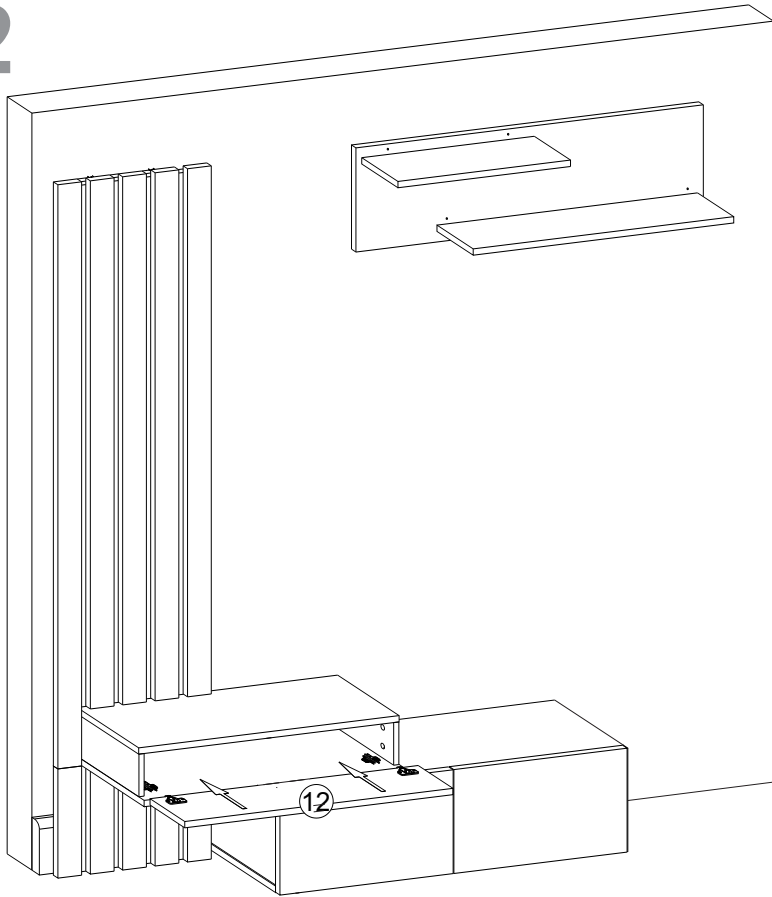
PART-4



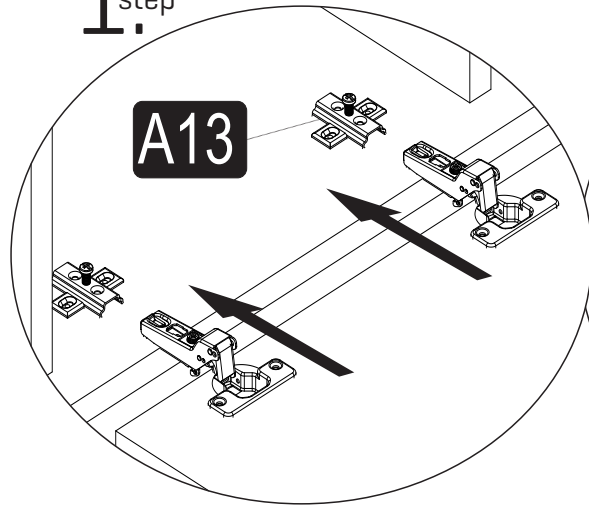
# 21



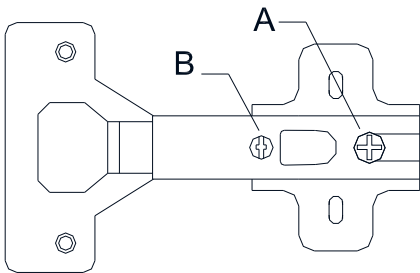
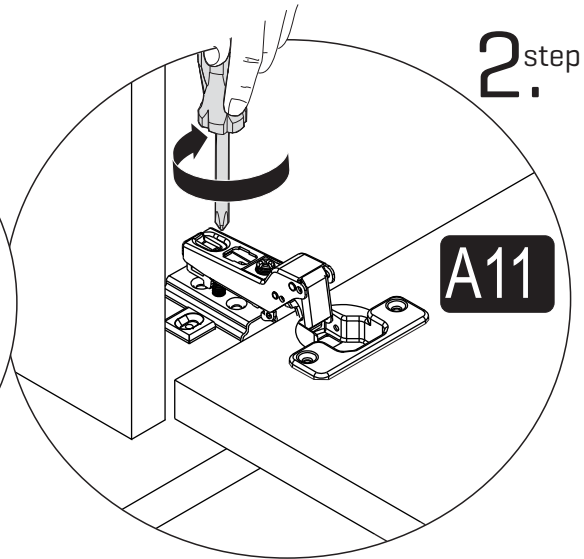
# 22



1. step



2. step

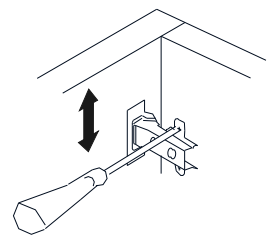
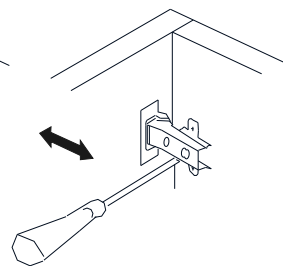
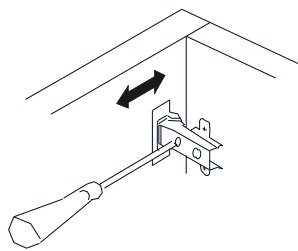


A =

to connect the hinge to the door

B =

to arrange the door



arrows to show the directions for arrangement of doors.