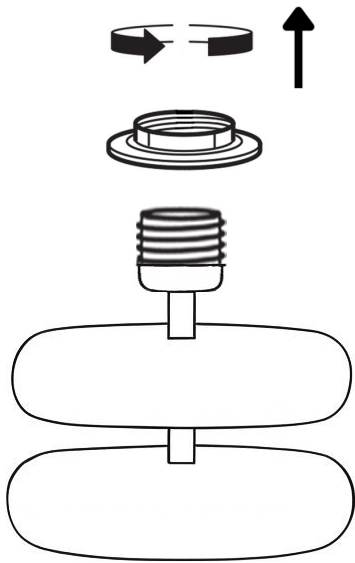


i GP029-0177,1

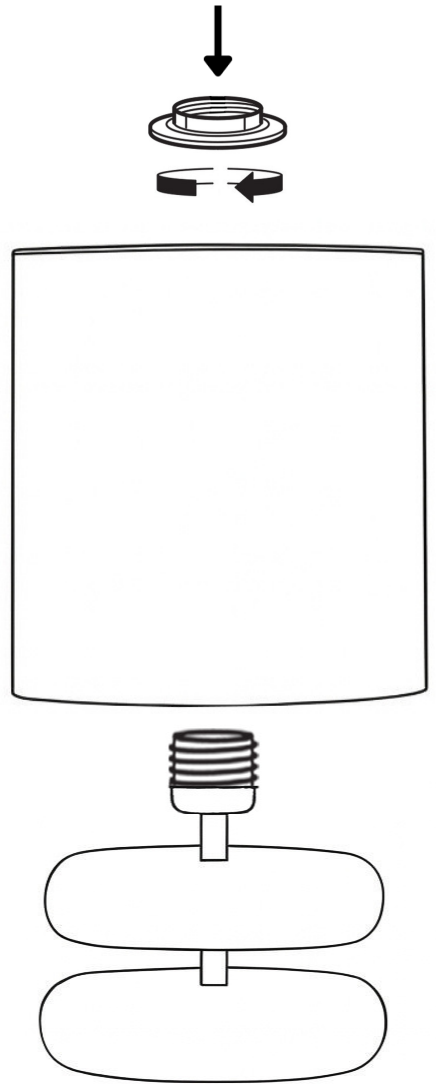


1 x 4-8W E14 LED -220V, 50Hz

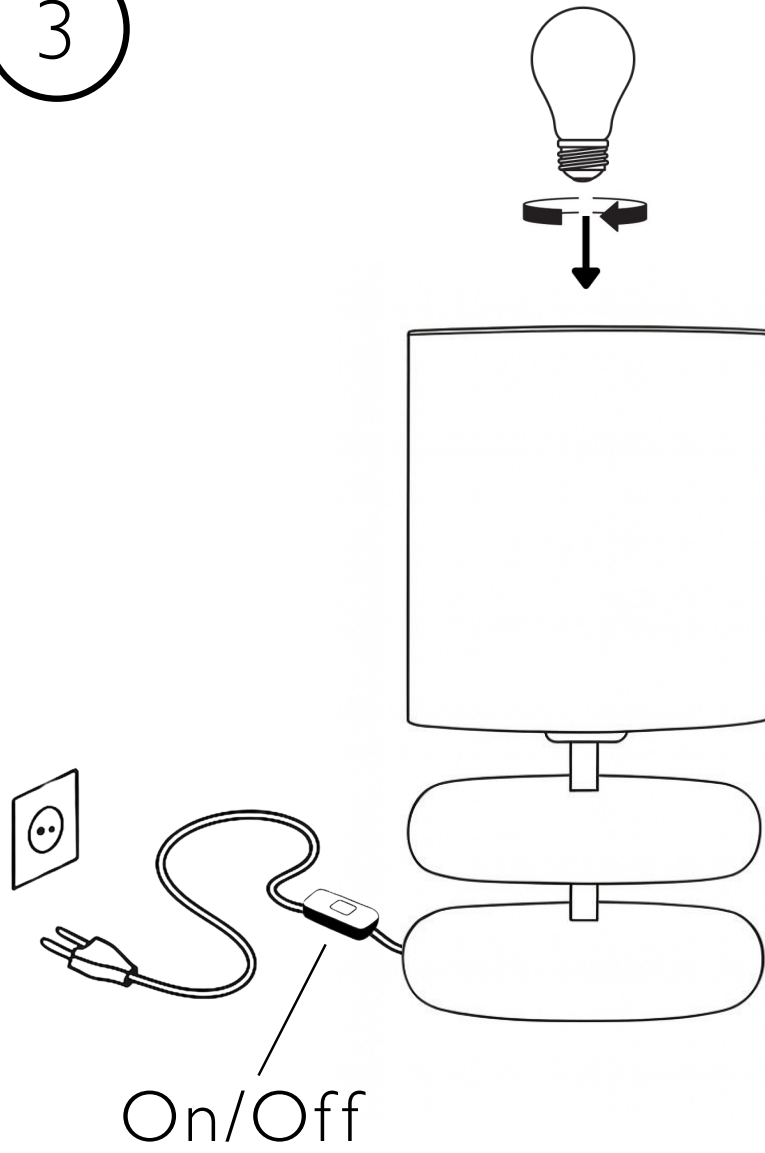
①



②



3



On/Off