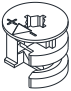
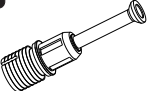
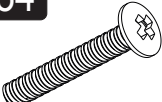

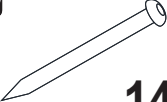



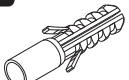

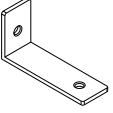
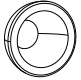
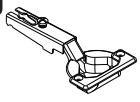
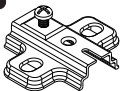
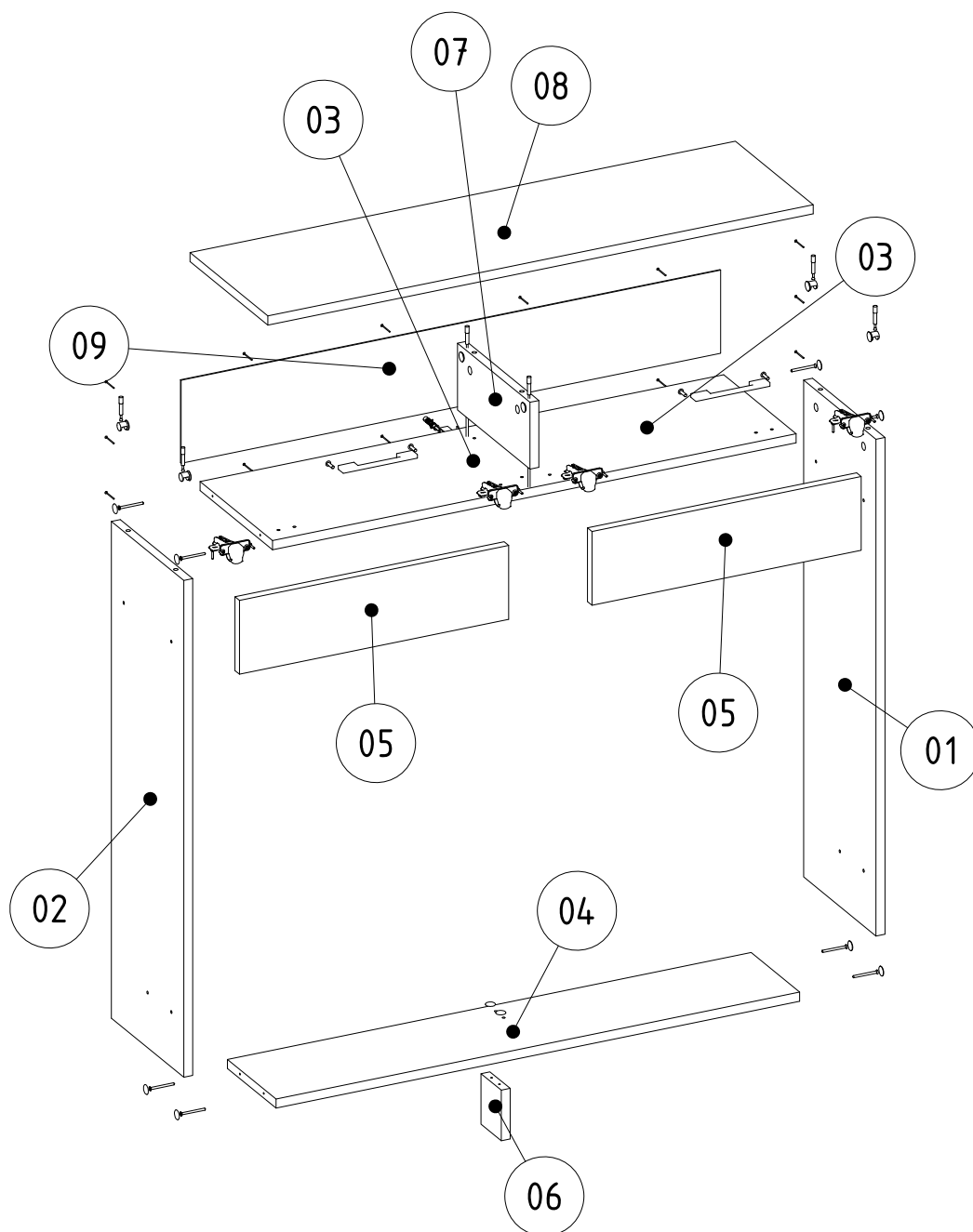


i GP042-0381,1

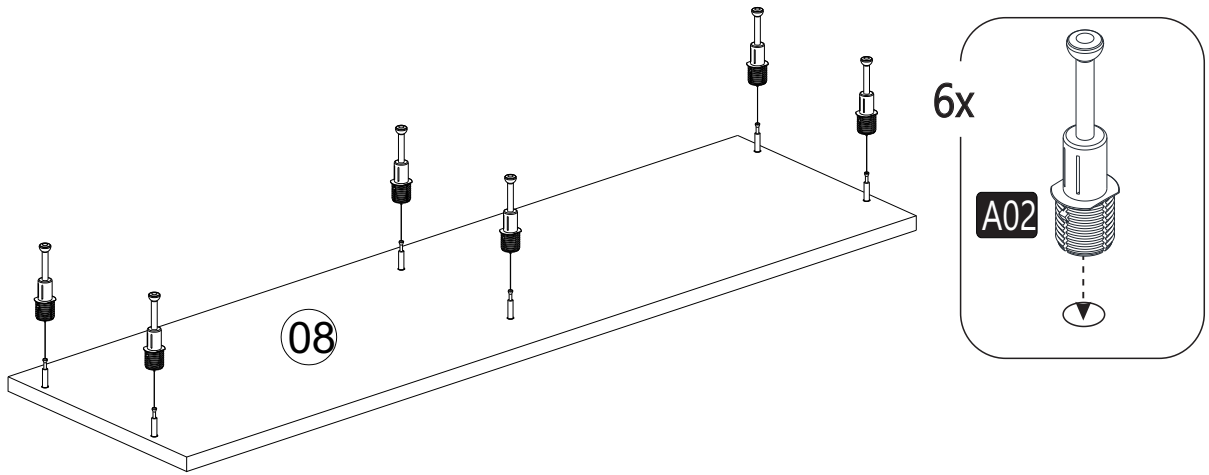


110 x 31,4 x 100cm

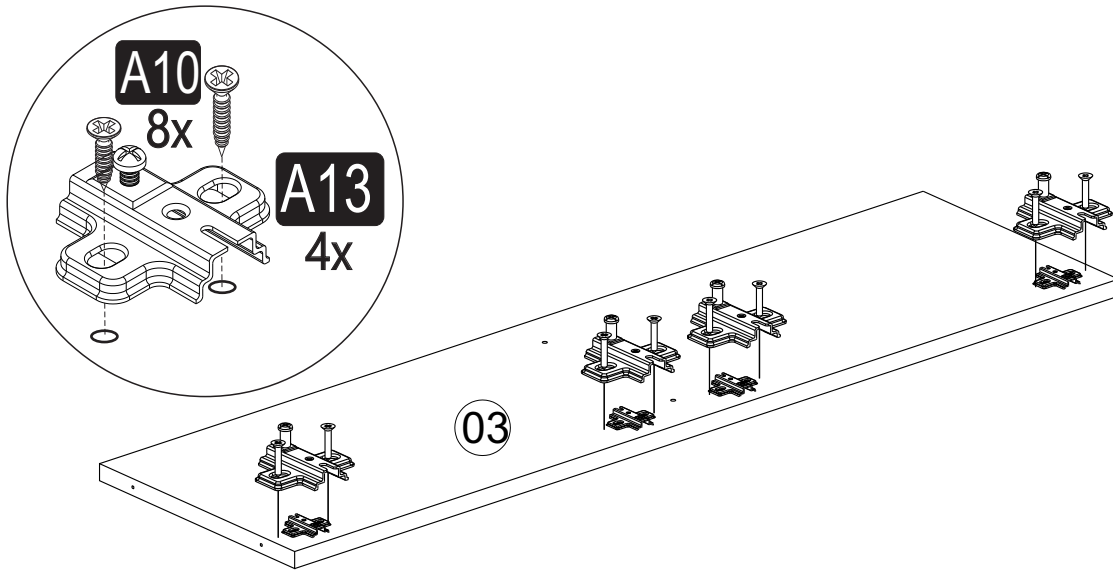
A01  6x	A02  6x	A84  M4x26 2x	D41  5x70 1x	A28  14x
A04  A 6x	A16  A 12x	A09  4x50 12x	D69  Ø8 1x	A10  3,5x18 17x
E17  1x	F15  Ky022 (Syh) 2x	A12  DM 4x	A13  MA 4x	



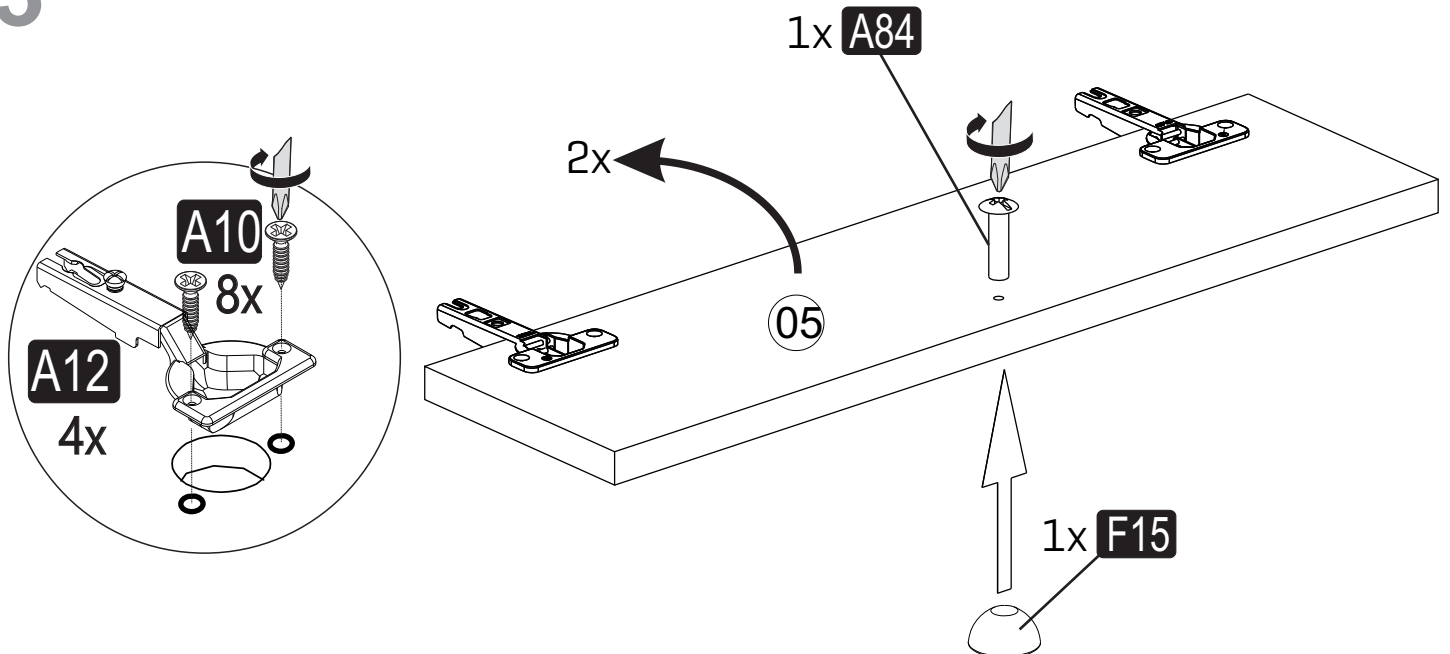
1



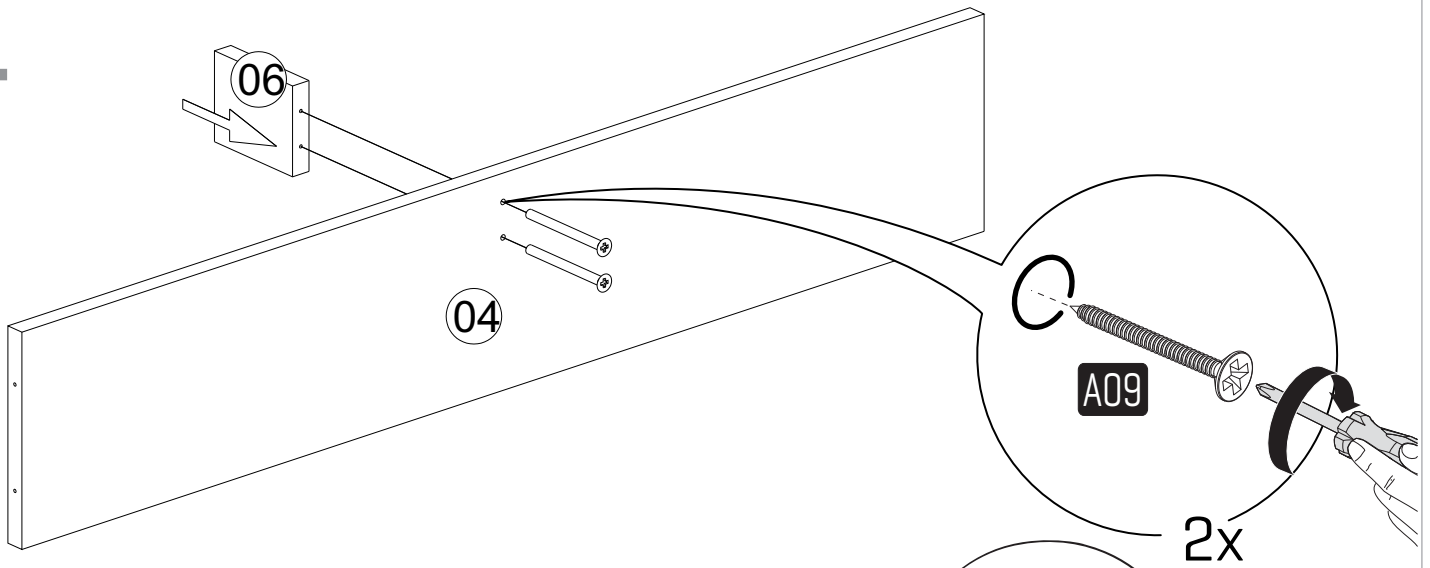
2



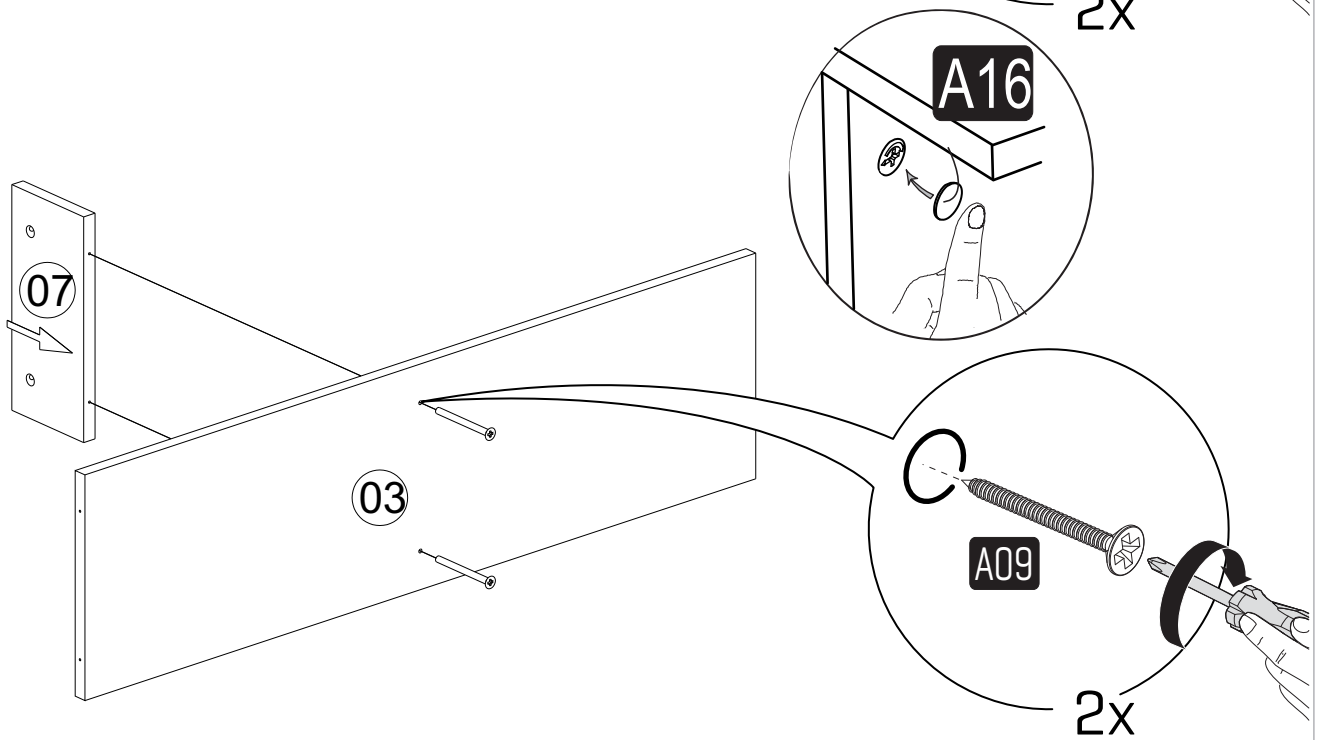
3



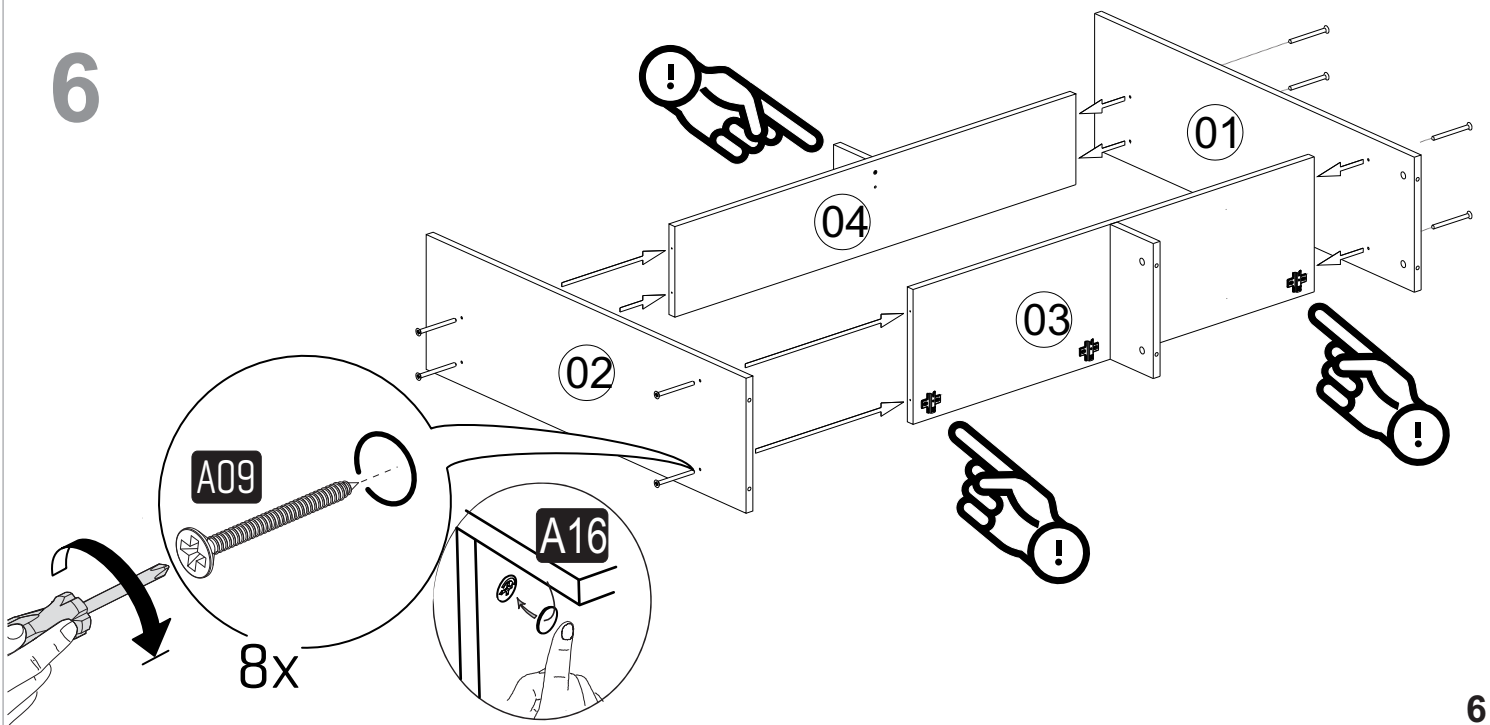
4



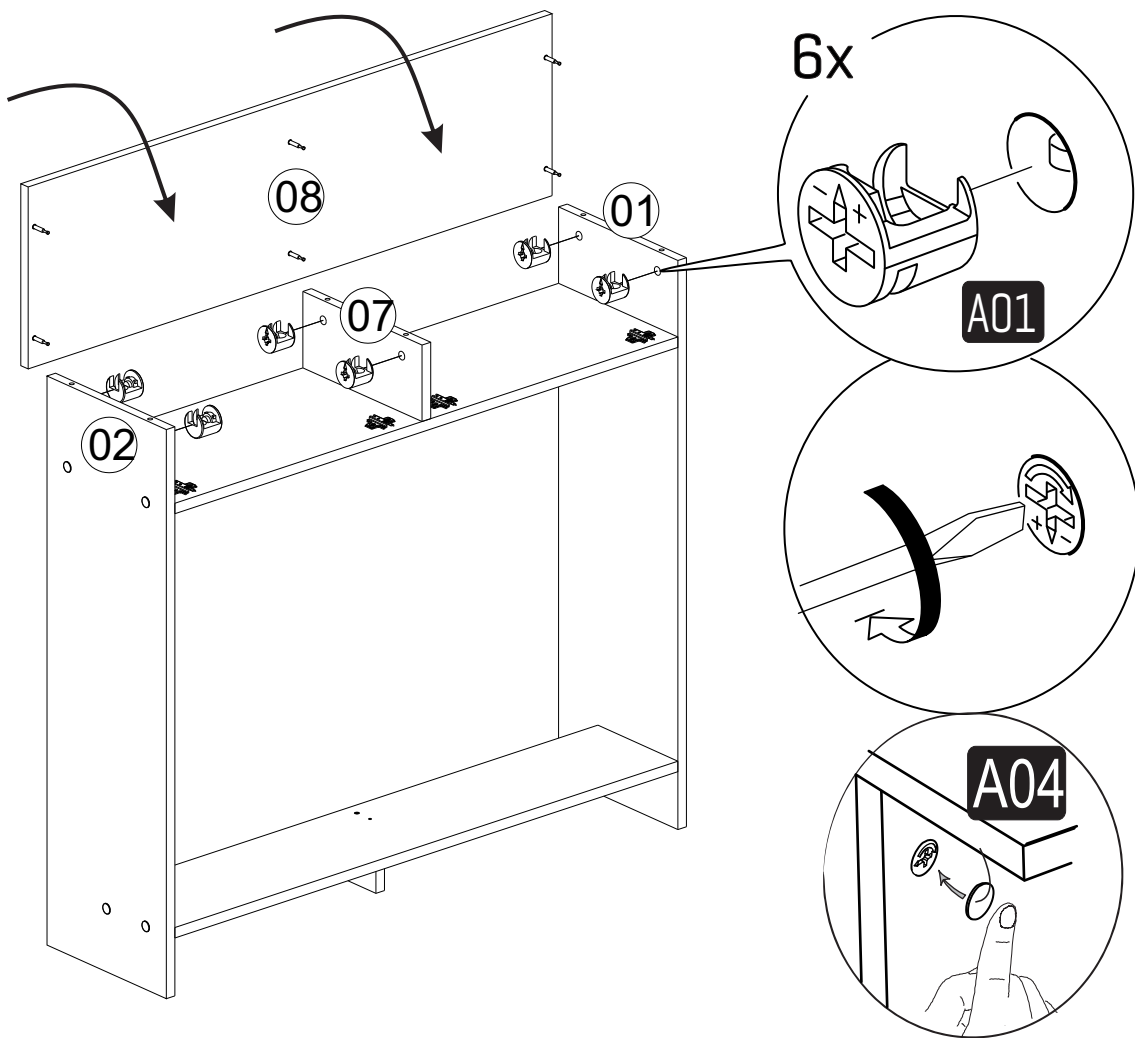
5



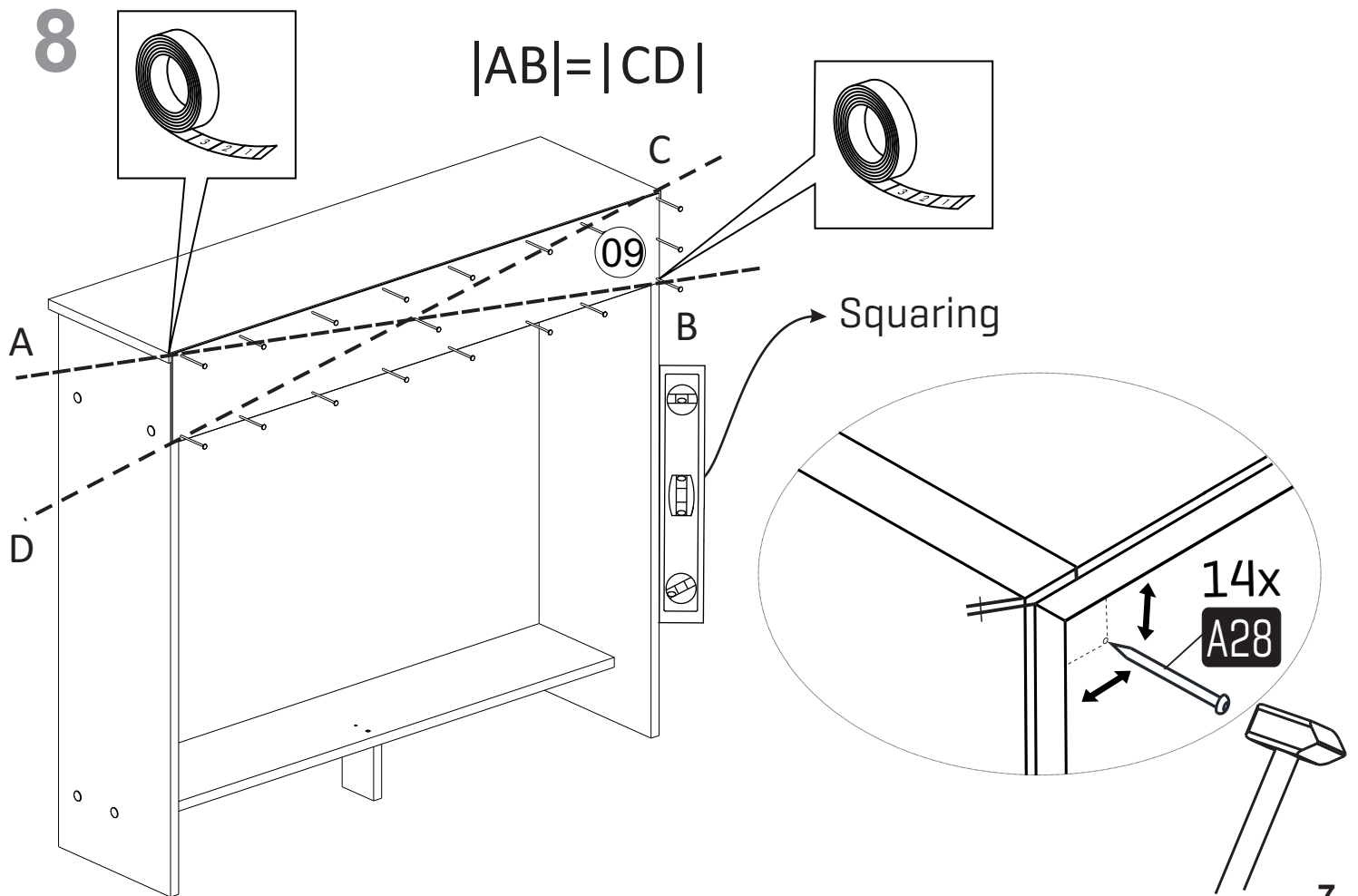
6



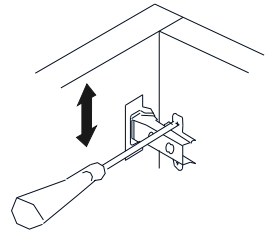
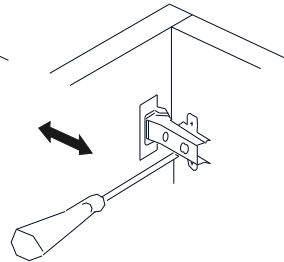
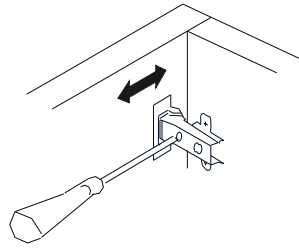
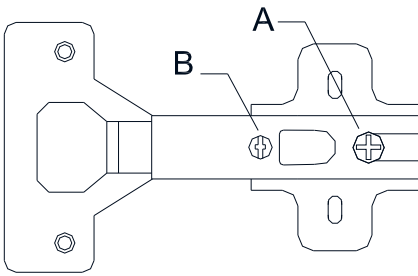
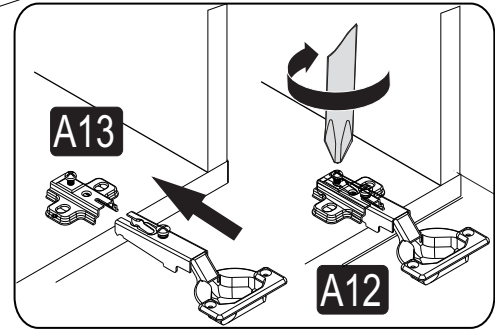
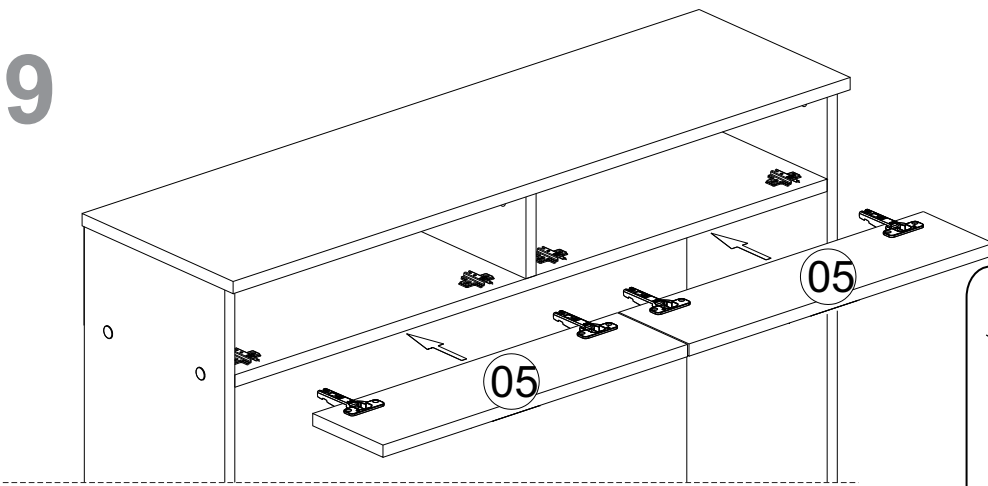
7



8

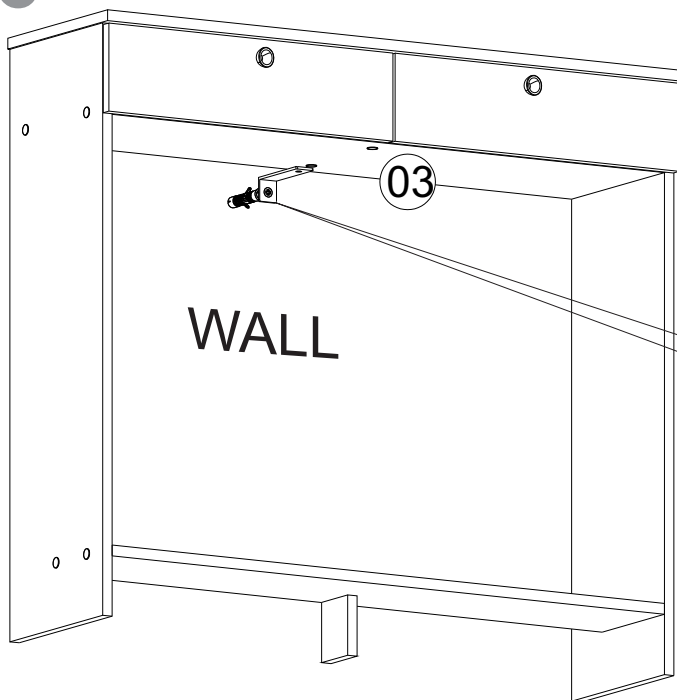


9

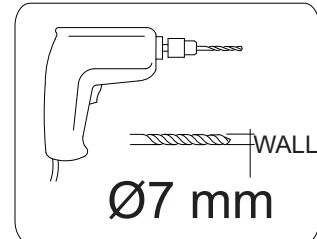


A= to connect the hinge to the door
 B= to arrange the door
 arrows to show the directions for arrangement of doors.

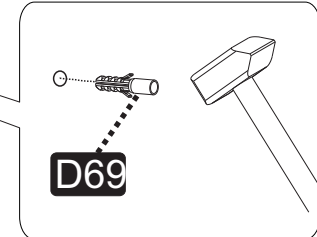
10



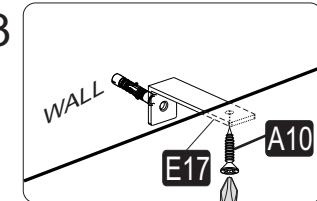
PART-1



PART-2



PART-3



PART-4

