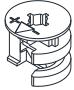
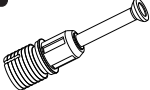


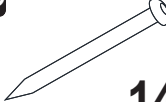



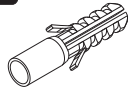

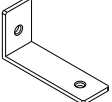
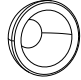
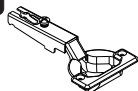
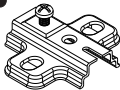
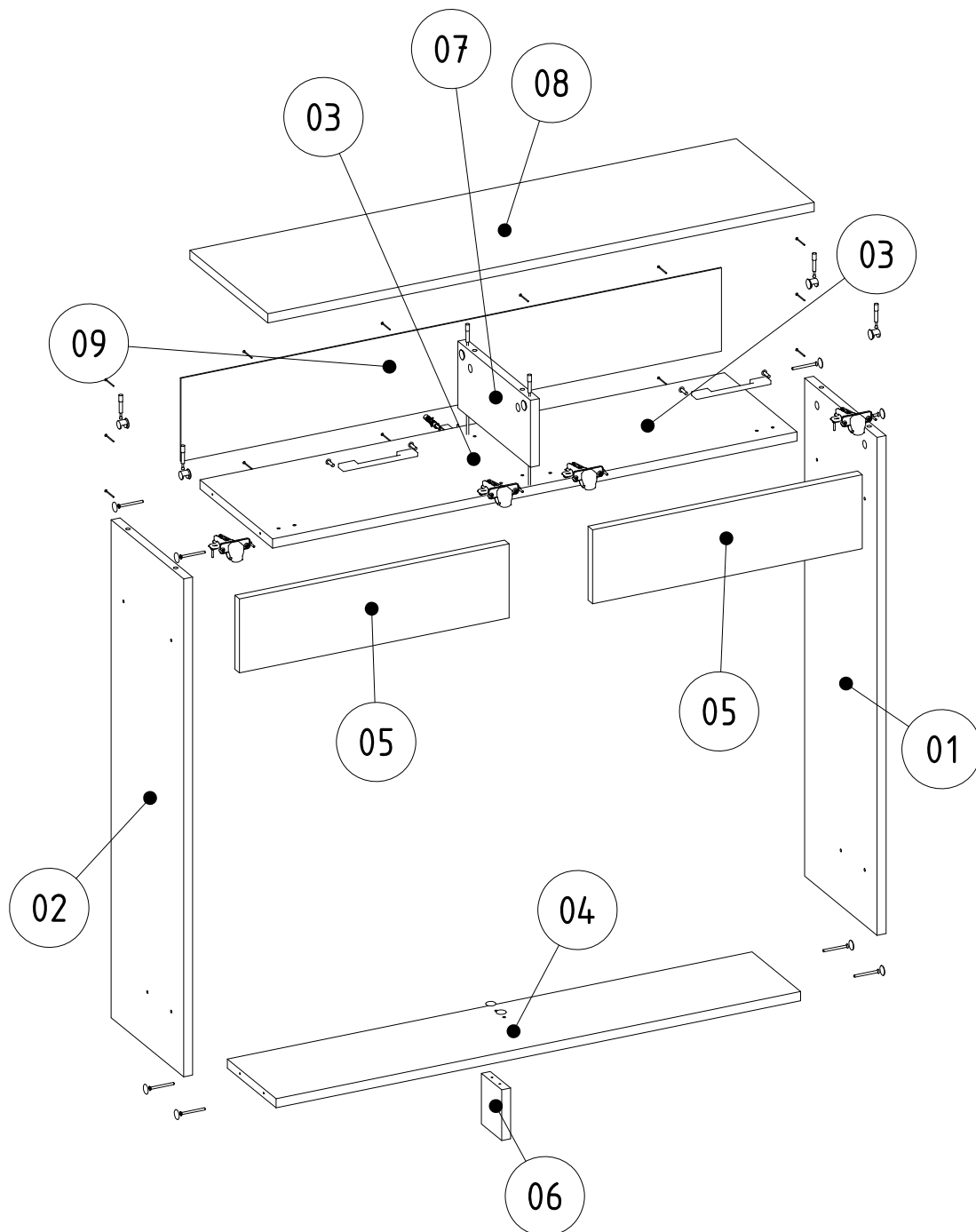


**i** GP042-0382,1

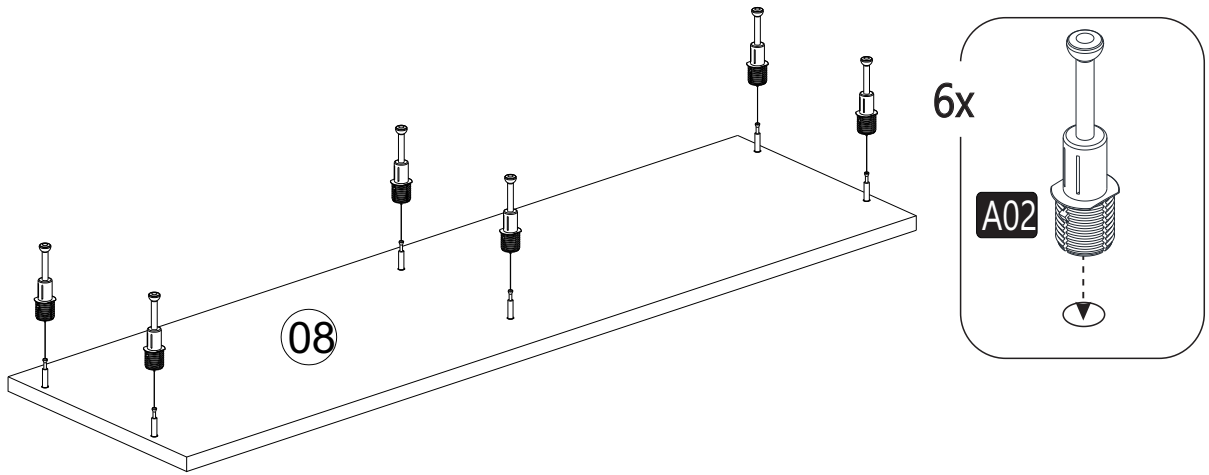


130 x 31,4 x 100cm

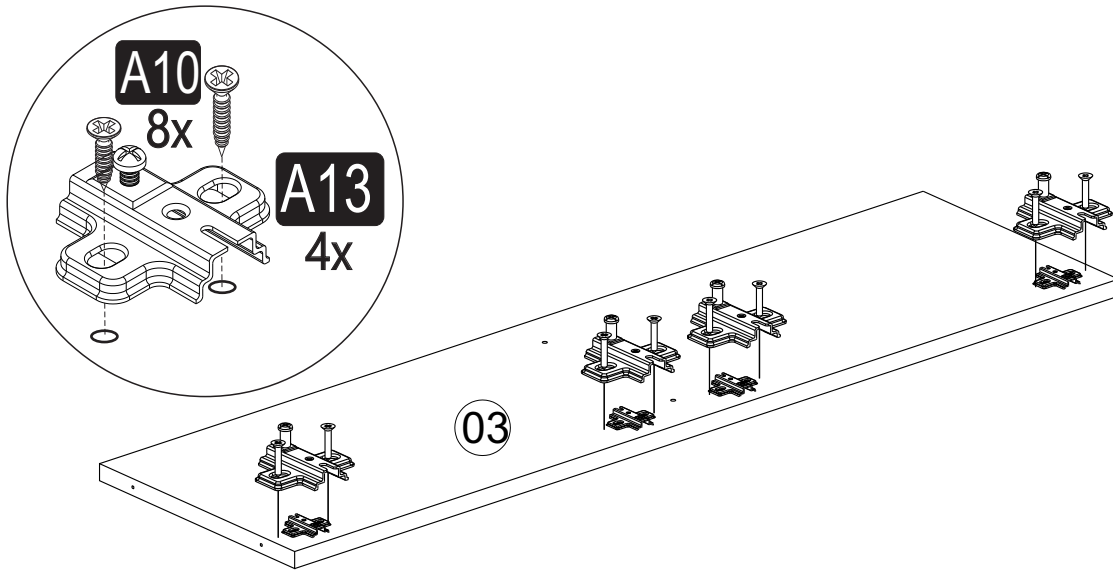
<b>A01</b>  6x	<b>A02</b>  6x	<b>A84</b>  M4x26 2x	<b>D41</b>  5x70 1x	<b>A28</b>  14x
<b>A04</b>  A 6x	<b>A16</b>  A 12x	<b>A09</b>  4x50 12x	<b>D69</b>  Ø8 1x	<b>A10</b>  3,5x18 17x
<b>E17</b>  1x	<b>F15</b>  Ky022 (Syh) 2x	<b>A12</b>  DM 4x	<b>A13</b>  MA 4x	



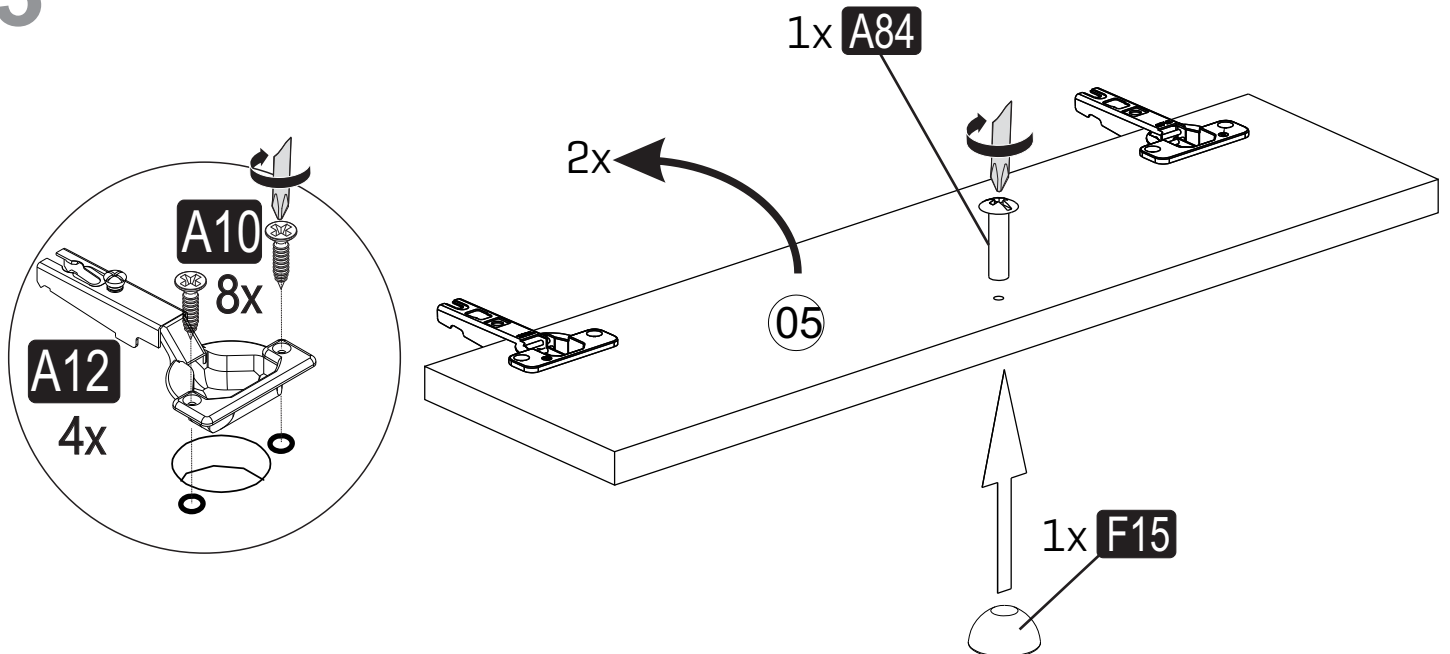
1



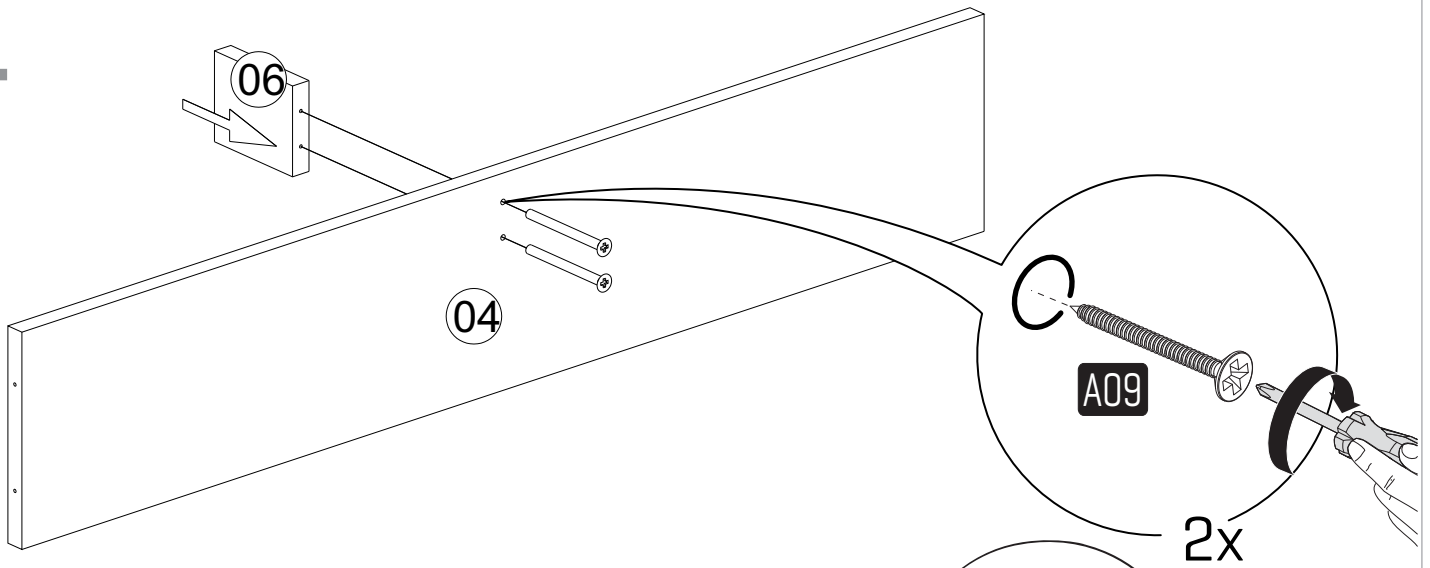
2



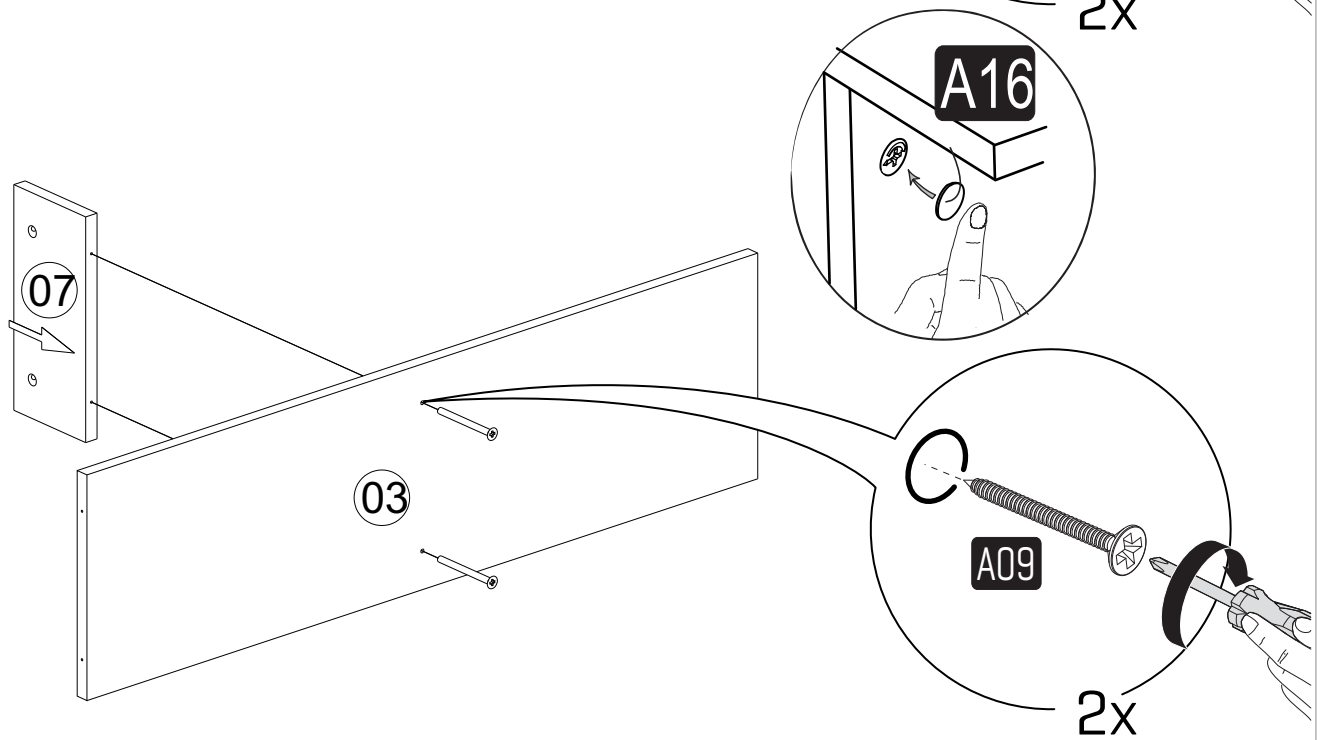
3



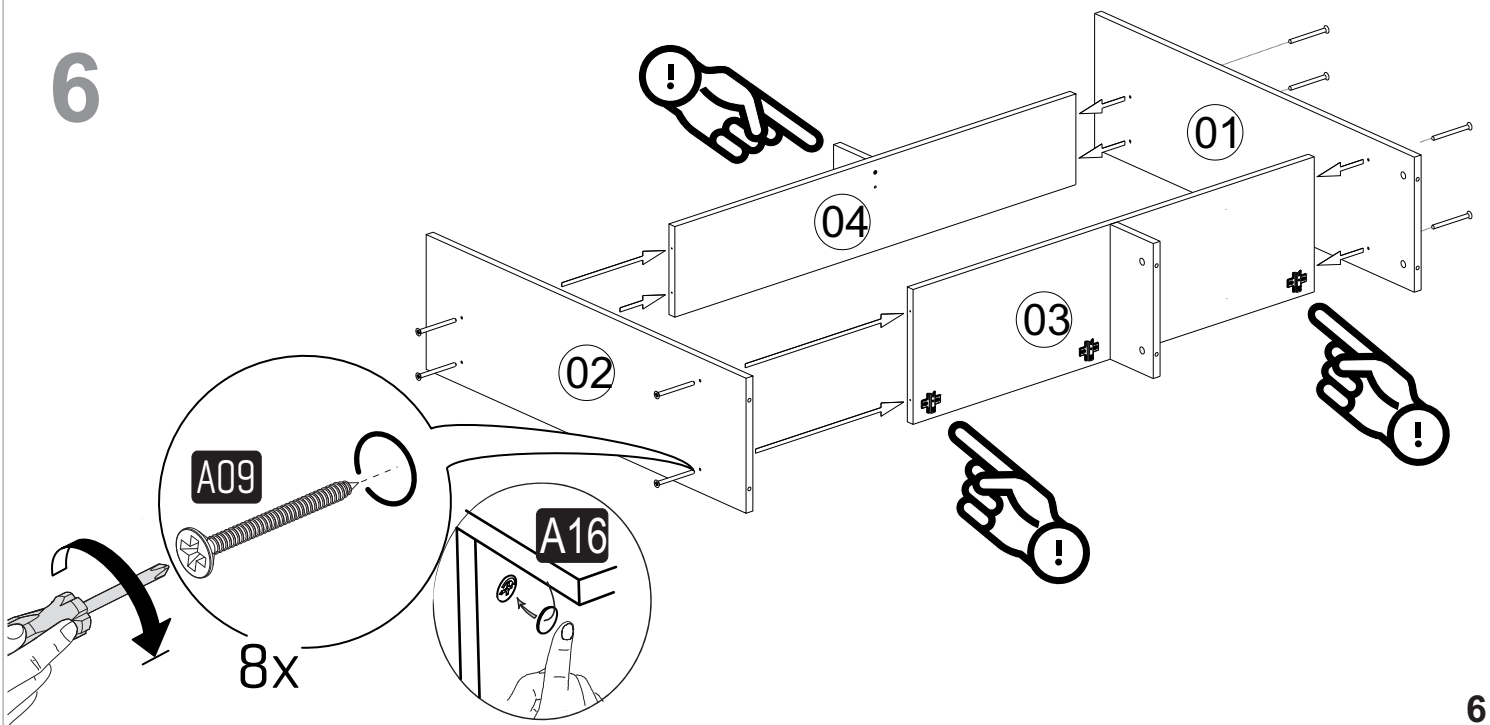
4



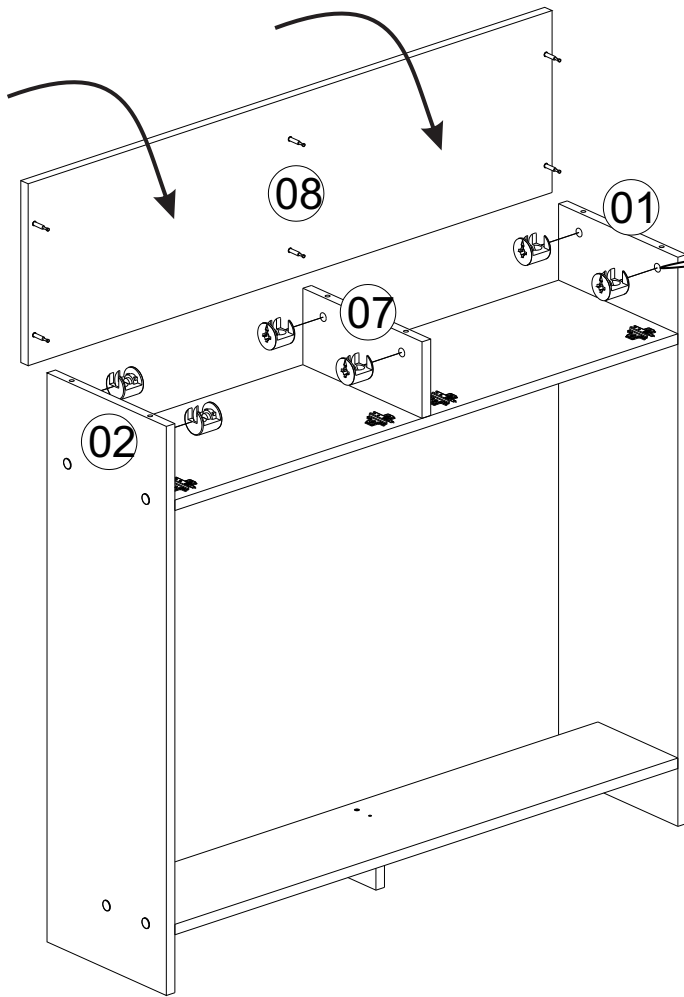
5



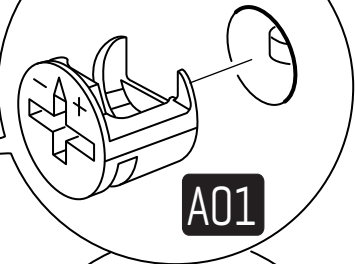
6



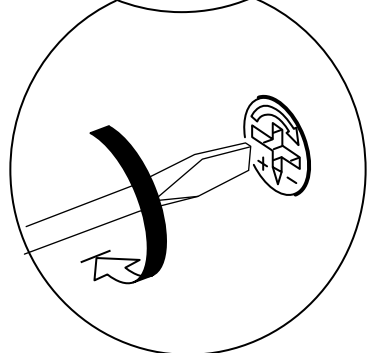
7



6x



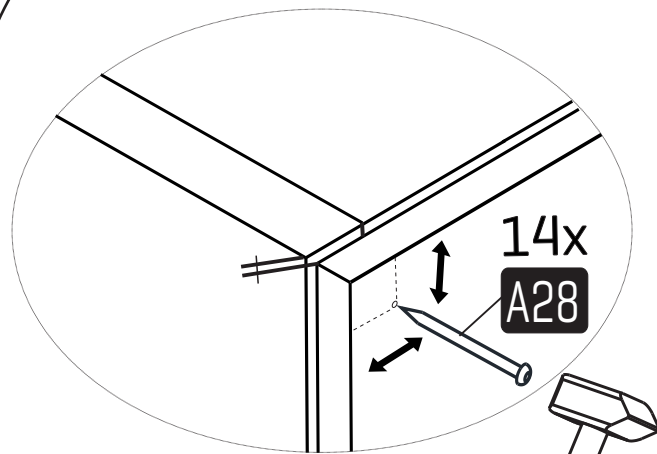
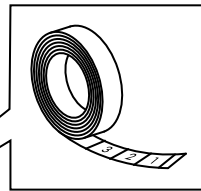
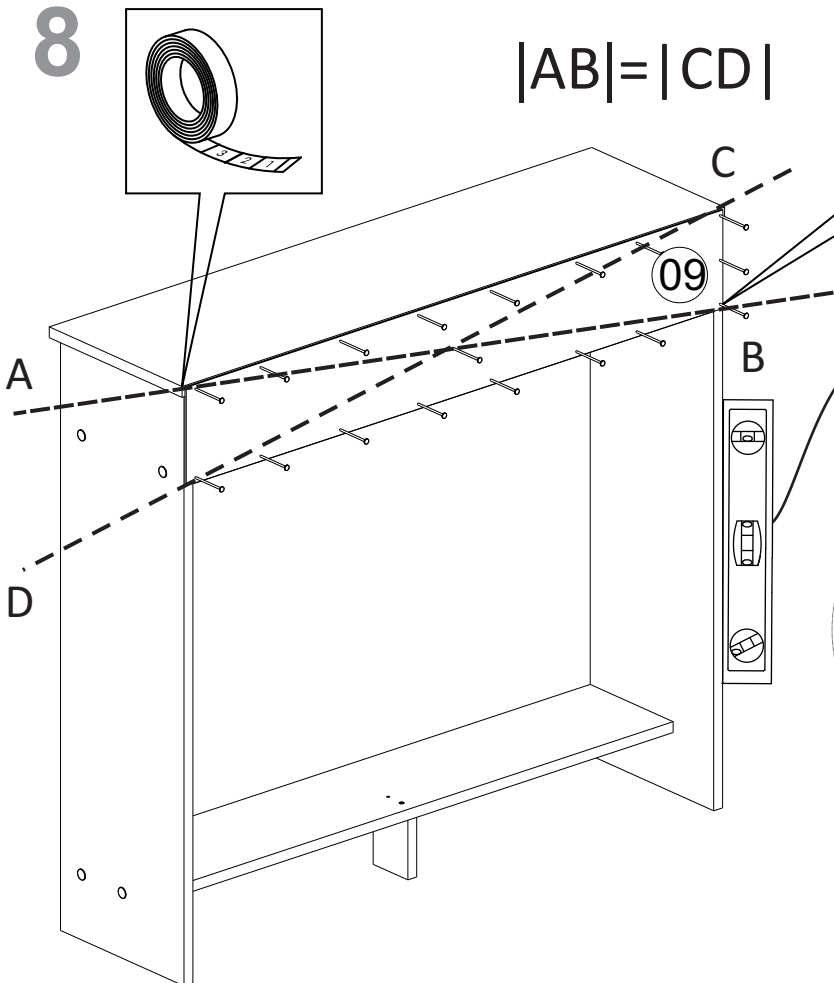
A01



A04

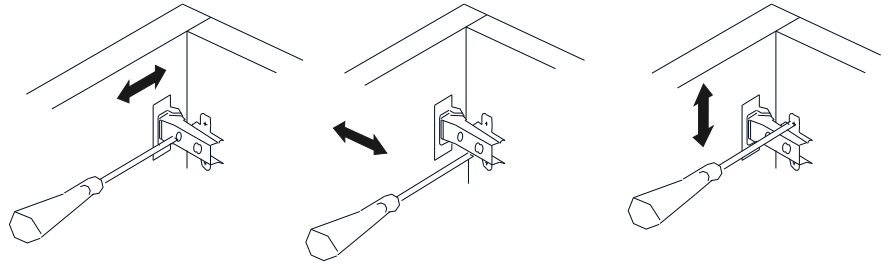
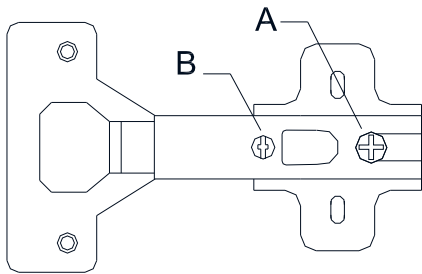
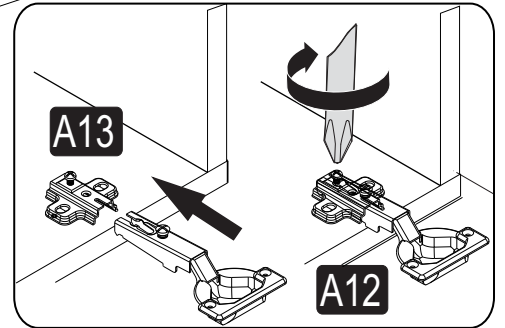
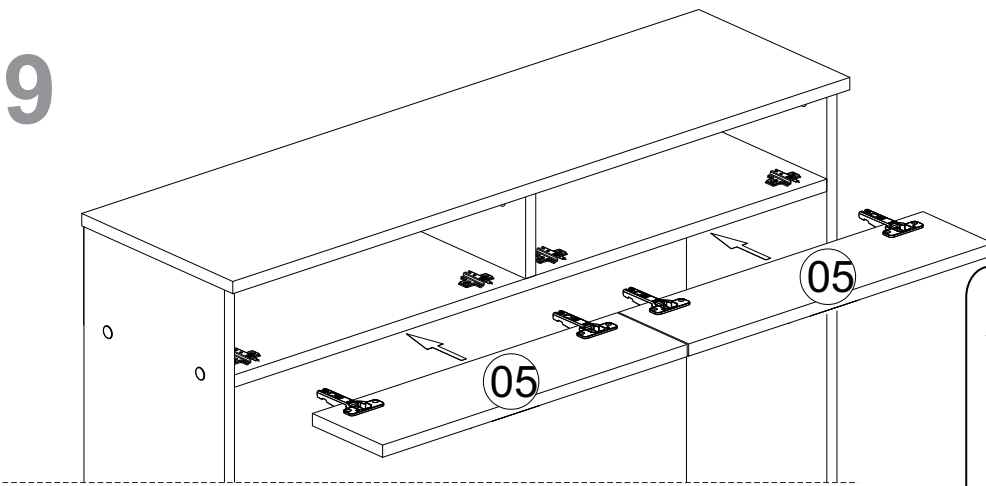
8

$|AB| = |CD|$



14x  
A28

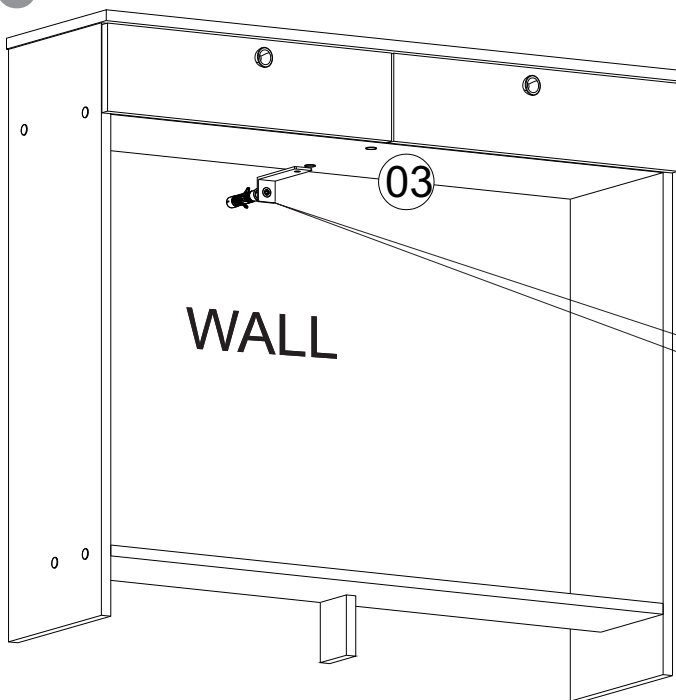
# 9



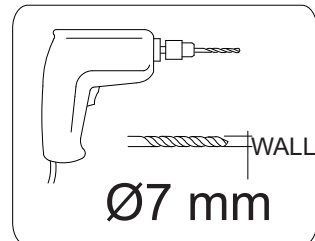
A= to connect the hinge to the door  
B= to arrange the door

arrows to show the directions for arrangement of doors.

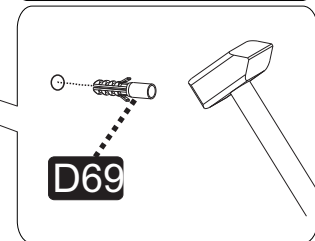
# 10



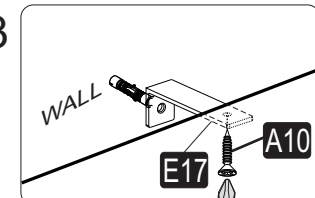
PART-1



PART-2



PART-3



PART-4

