
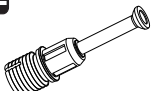
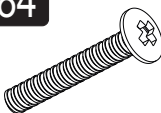
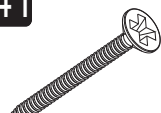



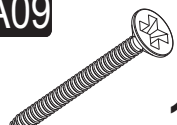
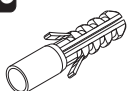

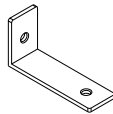
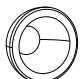
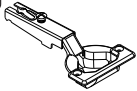
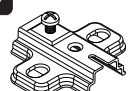
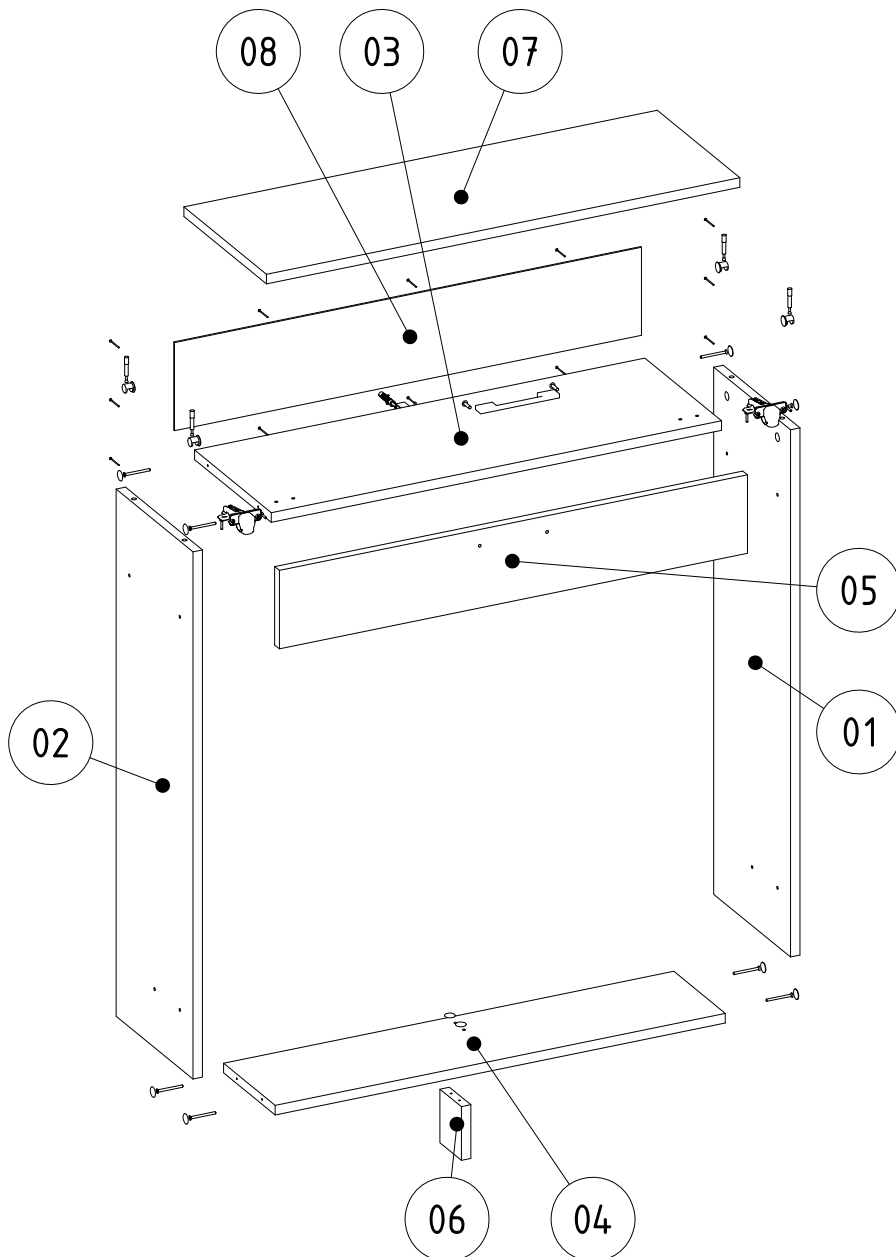


i GP042-0383,1

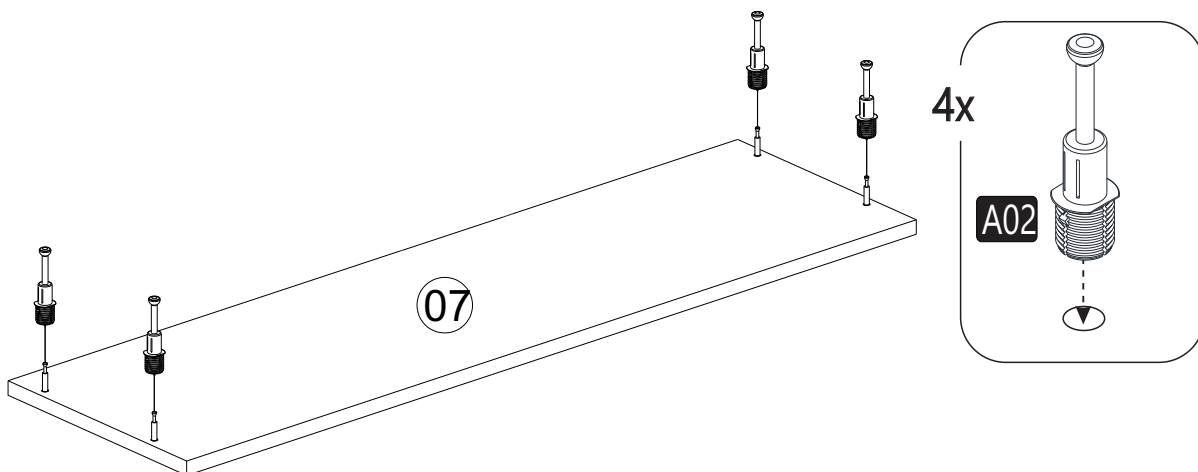


90 x 31,4 x 100cm

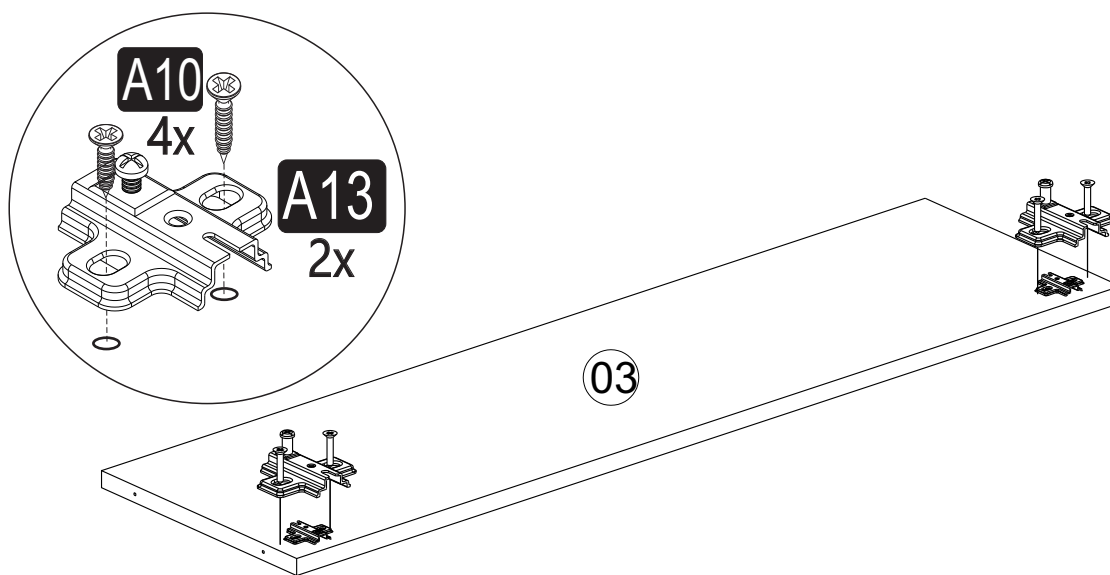
A01  4x	A02  4x	A84 M4x26  1x	D41 5x70  1x	A28  12x
A04  A 4x	A16  A 10x	A09 4x50  10x	D69 Ø8  1x	A10 3,5x18  9x
E17  1x	F15 Ky022 (Syh)  1x	A12 DM  2x	A13 MA  2x	



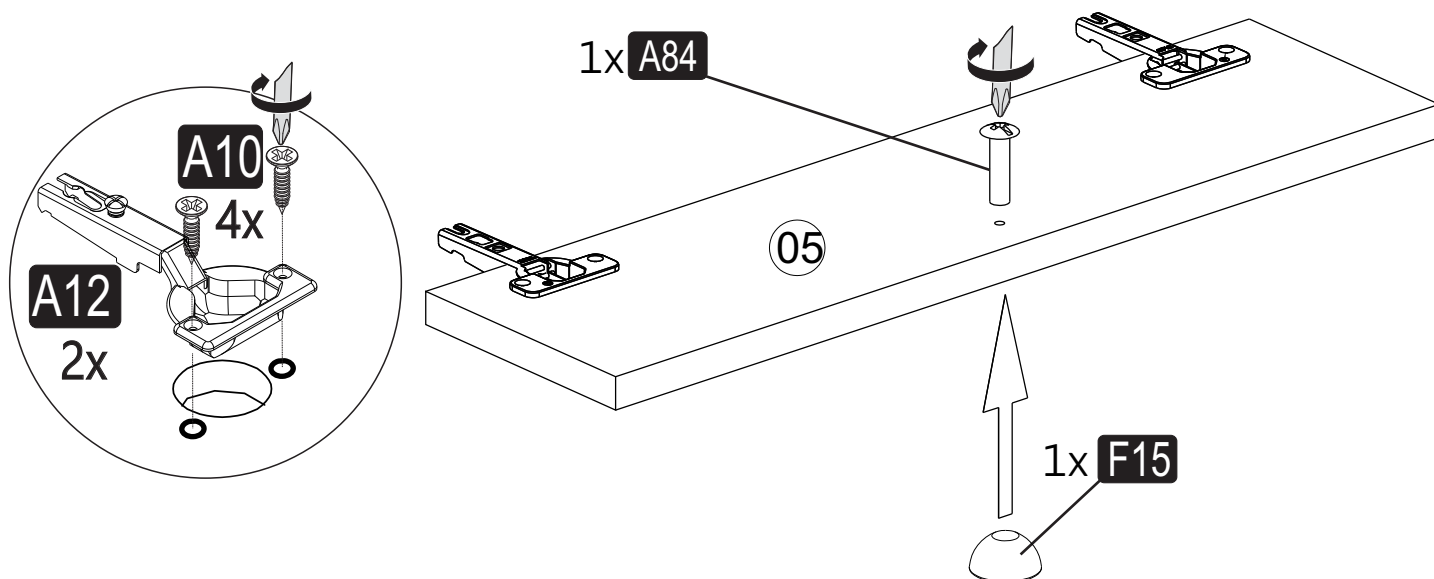
1



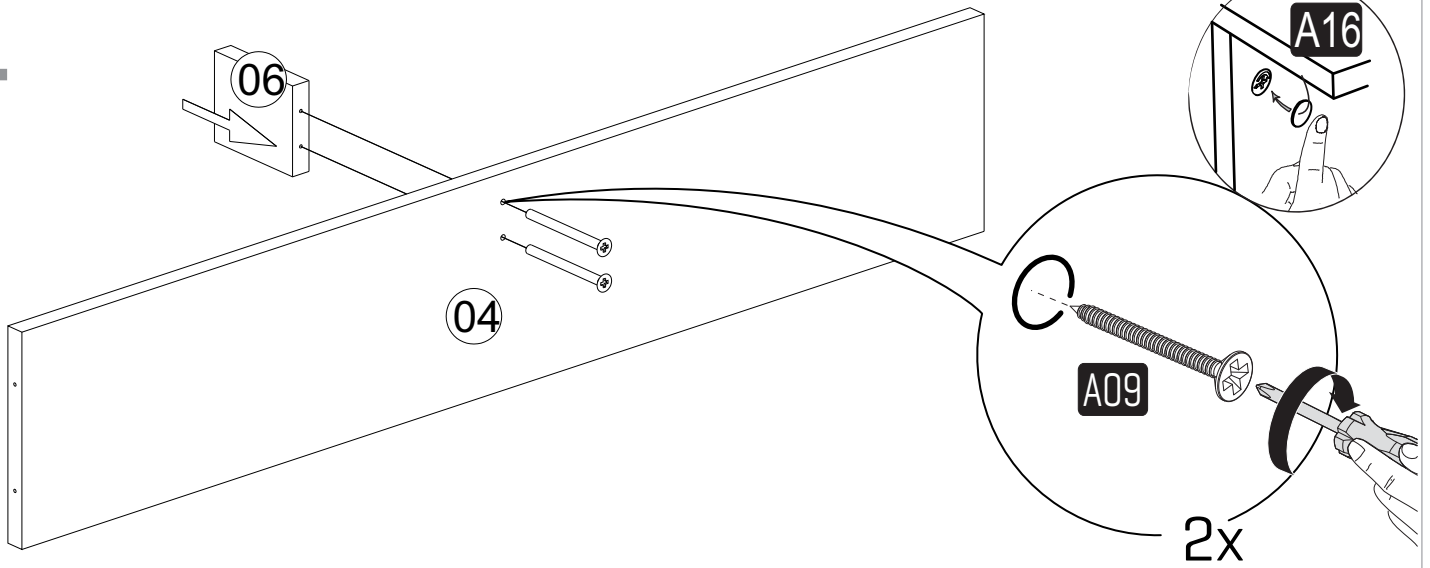
2



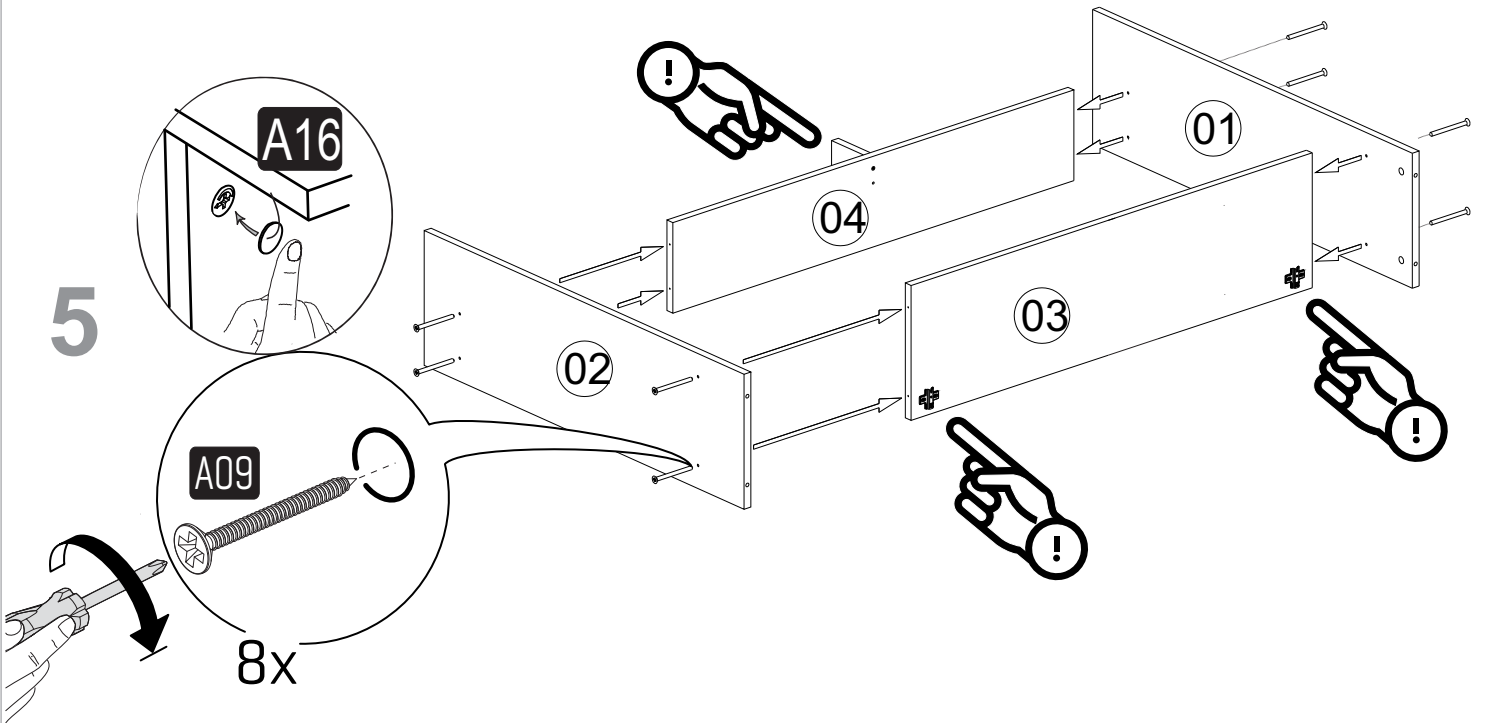
3



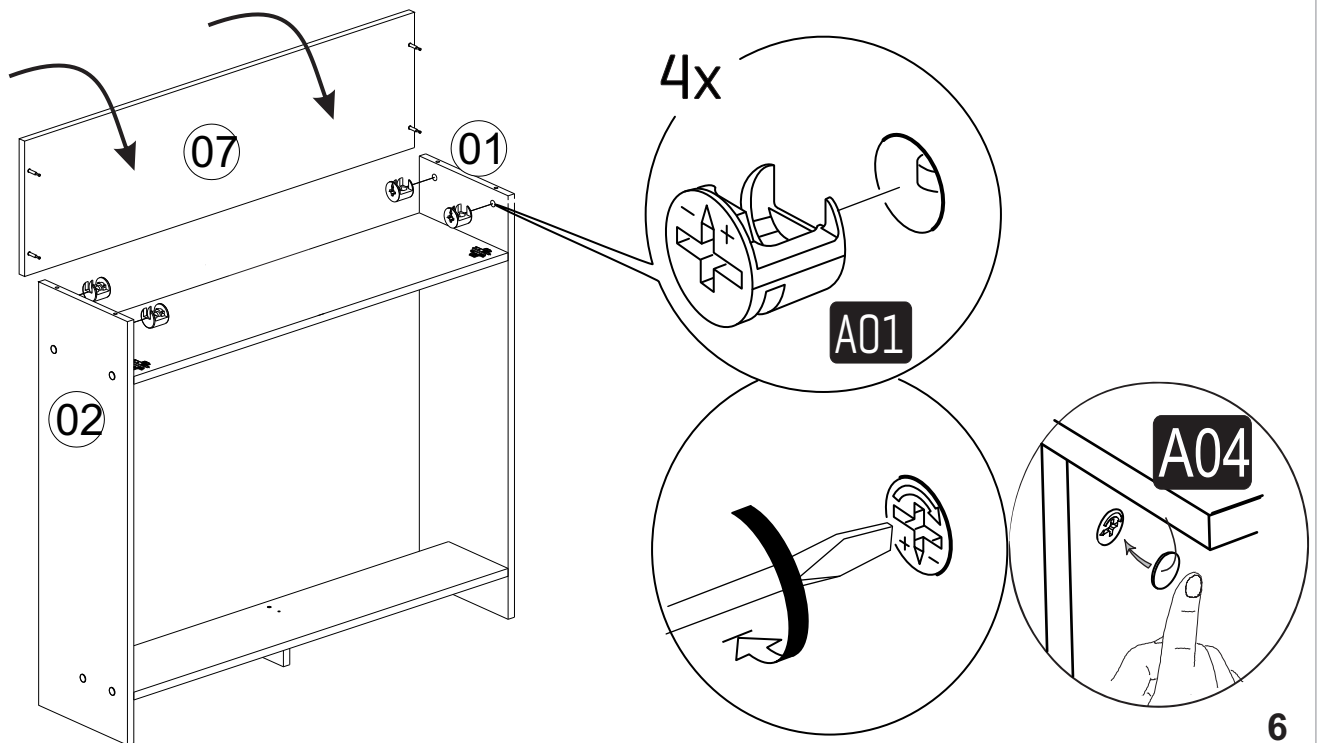
4



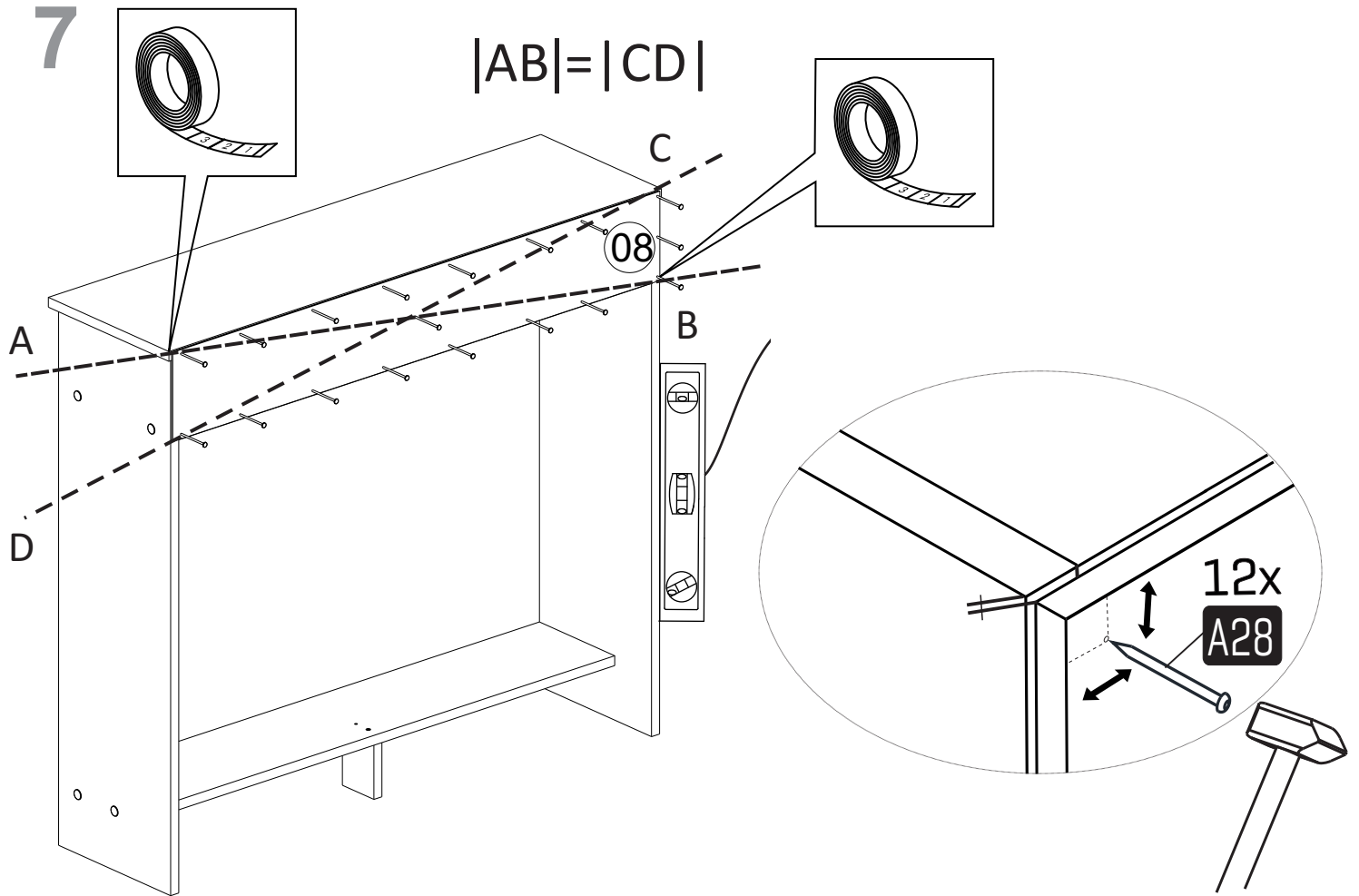
5



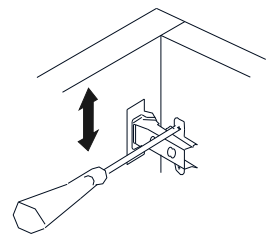
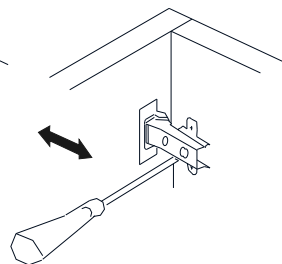
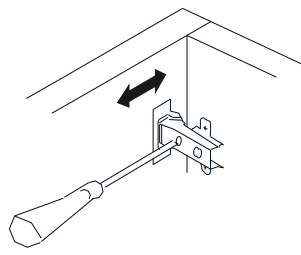
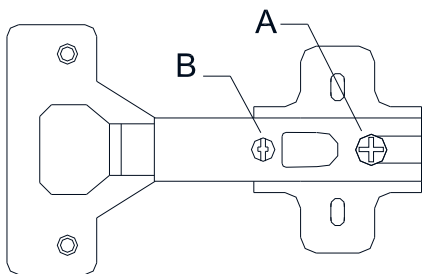
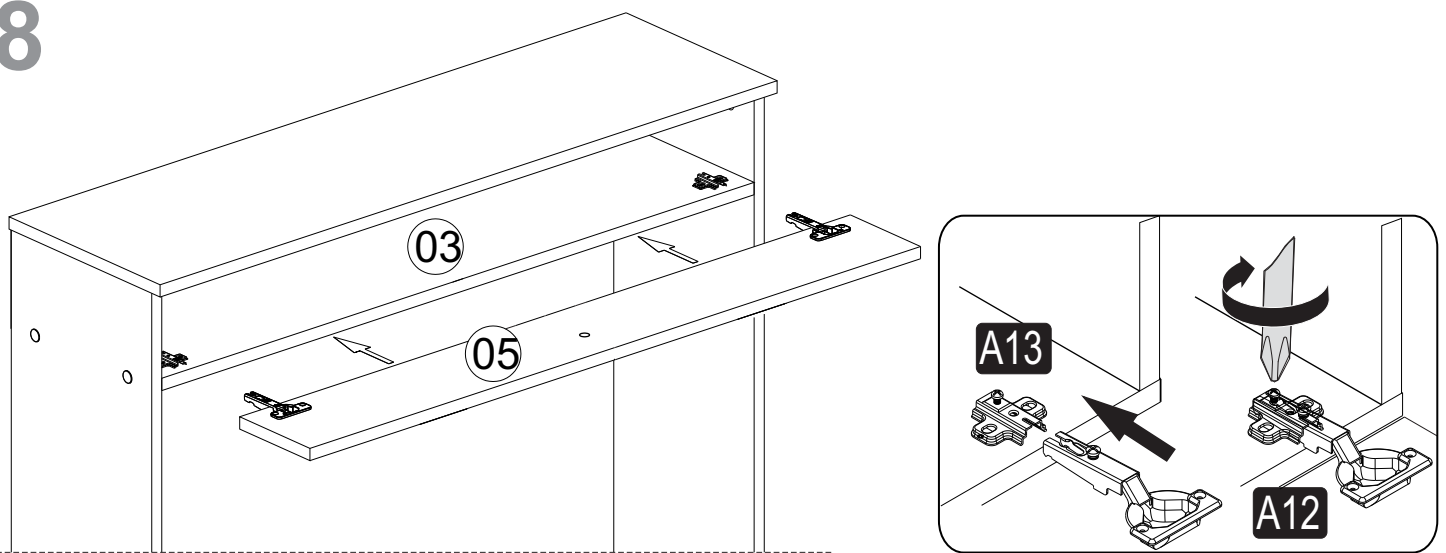
6



7



8

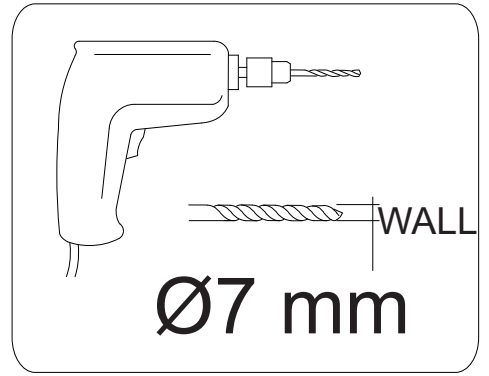


A= to connect the hinge to the door
 B= to arrange the door

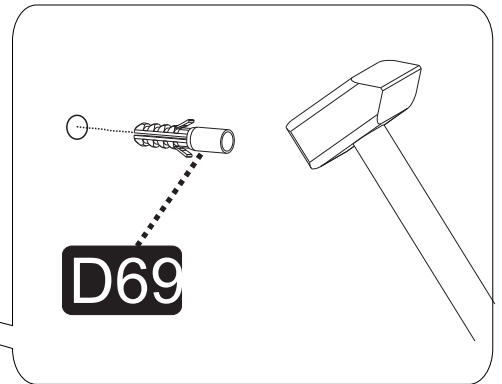
arrows to show the directions for arrangement of doors.

9

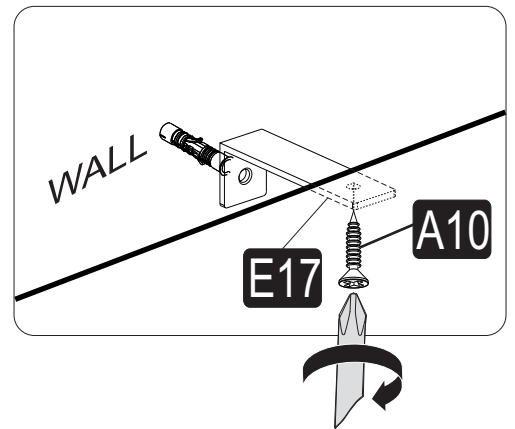
PART-1



PART-2



PART-3



PART-4

