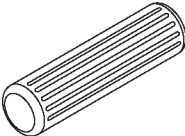
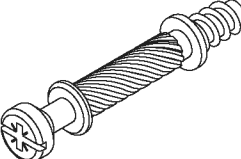
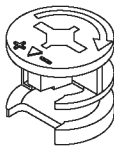
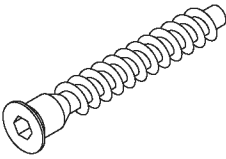
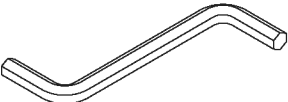
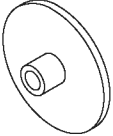

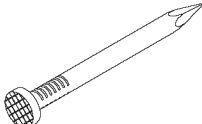
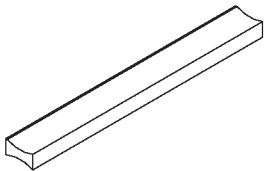



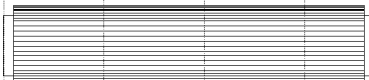

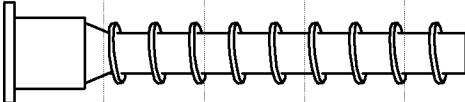

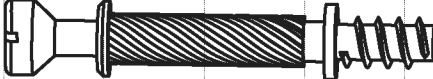

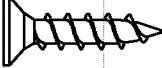



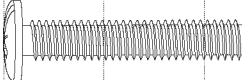



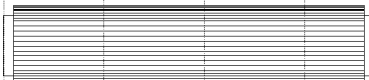

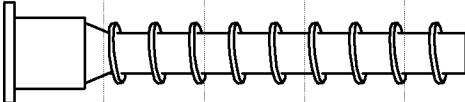

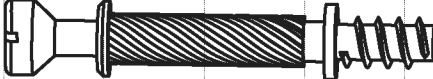

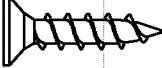



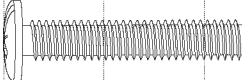



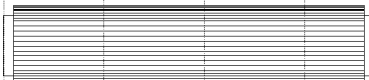

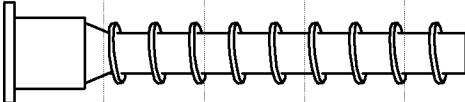

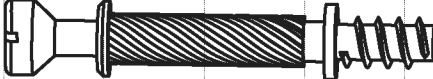

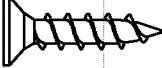



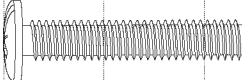
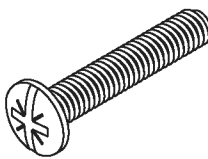
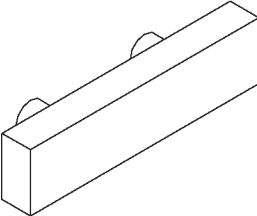
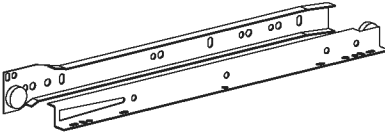




GP009-0031



45 x 40 x 52cm

<p>A1</p>  <p>19 x</p>	<p>M1</p>  <p>22 x</p>	<p>M2</p>  <p>22 x</p>	<p>A2</p>  <p>4 x</p>														
<p>A3</p>  <p>1 x</p>	<p>A4</p>  <p>8 x</p>	<p>V1</p> <p>3,5x16 mm</p>  <p>16 x</p>	<p>C1</p>  <p>10 x</p>														
<p>K1</p>  <p>2 x</p>	<table border="0"> <tr> <td data-bbox="574 1213 734 1315"> <p>A1</p>  </td> <td data-bbox="893 1065 1404 1202">  </td> </tr> <tr> <td data-bbox="574 1349 734 1451"> <p>A2</p>  </td> <td data-bbox="893 1224 1404 1315">  </td> </tr> <tr> <td data-bbox="574 1474 734 1576"> <p>M1</p>  </td> <td data-bbox="893 1338 1404 1451">  </td> </tr> <tr> <td data-bbox="574 1598 734 1700"> <p>V1</p>  </td> <td data-bbox="893 1474 1404 1587">  </td> </tr> <tr> <td data-bbox="574 1723 734 1825"> <p>C1</p>  </td> <td data-bbox="893 1610 1404 1700">  <p>3,5x16 mm</p> </td> </tr> <tr> <td data-bbox="574 1848 734 1950"> <p>V10</p>  </td> <td data-bbox="893 1723 1404 1837">  </td> </tr> <tr> <td data-bbox="574 1973 734 2002"> <p>V10</p>  </td> <td data-bbox="893 1848 1404 1950">  </td> </tr> </table>			<p>A1</p> 		<p>A2</p> 		<p>M1</p> 		<p>V1</p> 		<p>C1</p> 	 <p>3,5x16 mm</p>	<p>V10</p> 		<p>V10</p> 	
<p>A1</p> 																	
<p>A2</p> 																	
<p>M1</p> 																	
<p>V1</p> 																	
<p>C1</p> 	 <p>3,5x16 mm</p>																
<p>V10</p> 																	
<p>V10</p> 																	
<p>V10</p>  <p>4 x</p>																	
<p>F7</p>  <p>4 x</p>																	
<p>R5</p>  <p>2 x</p>																	

