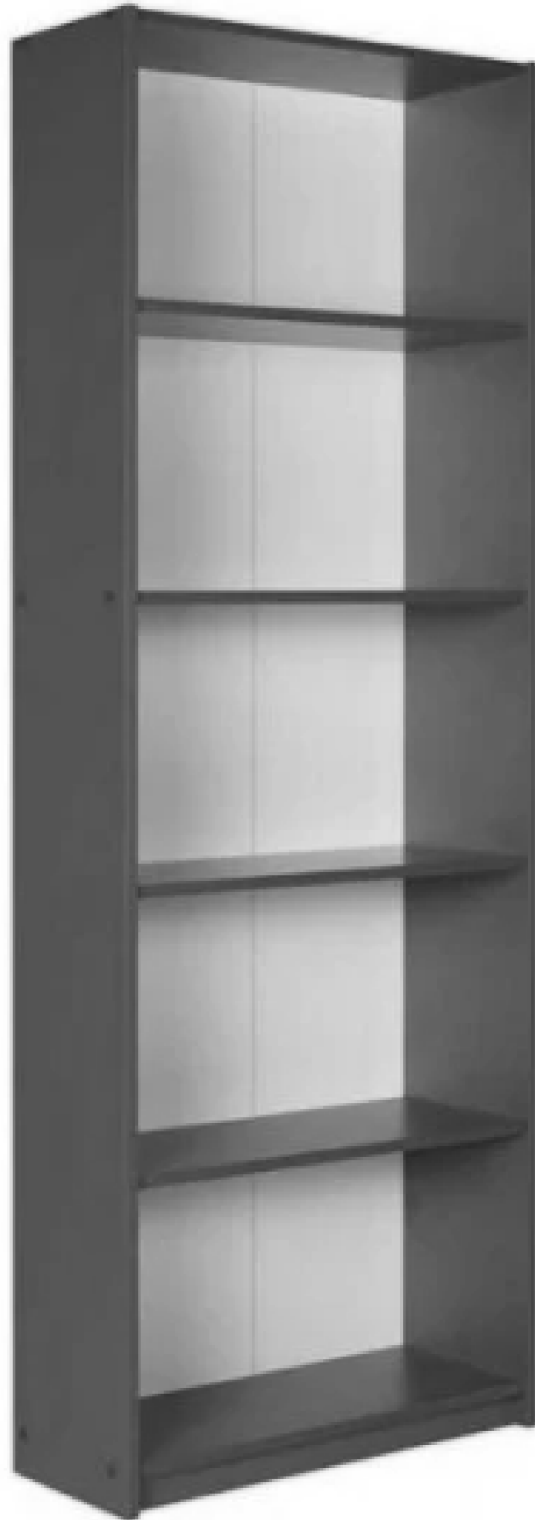
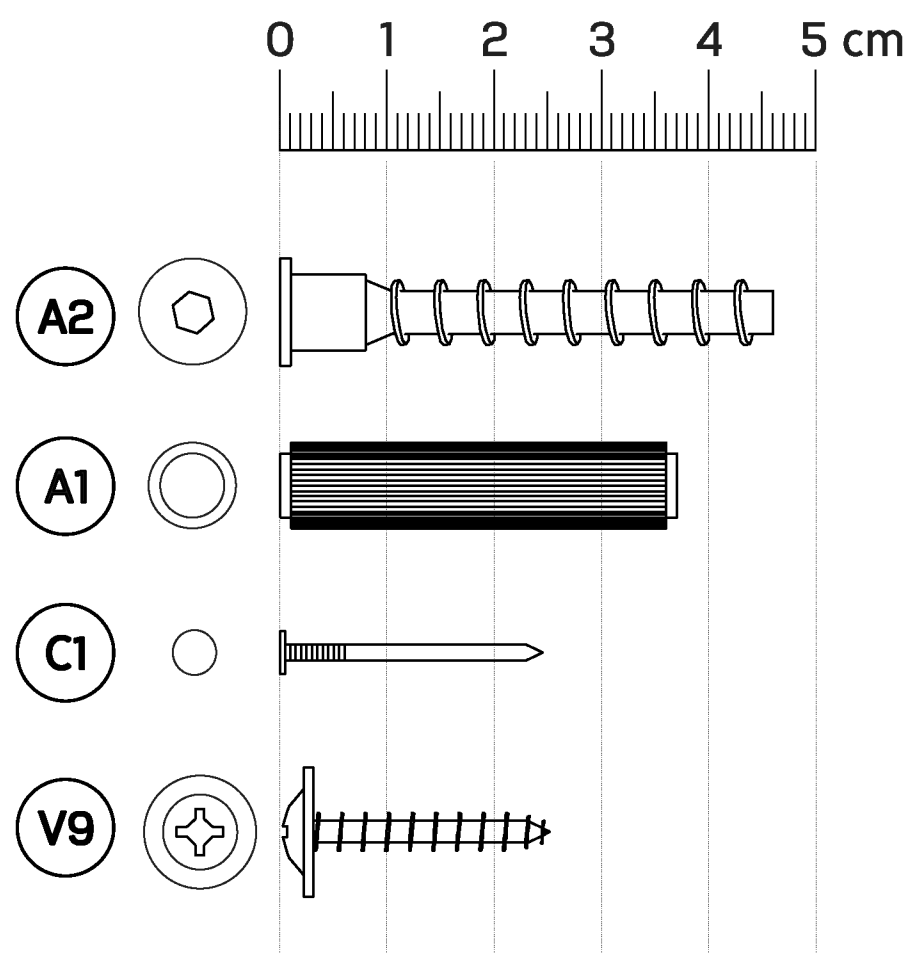
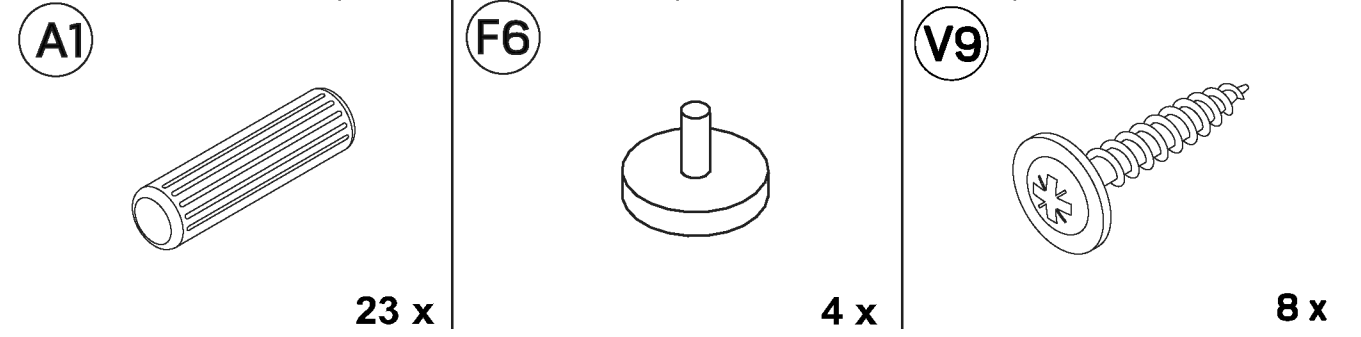
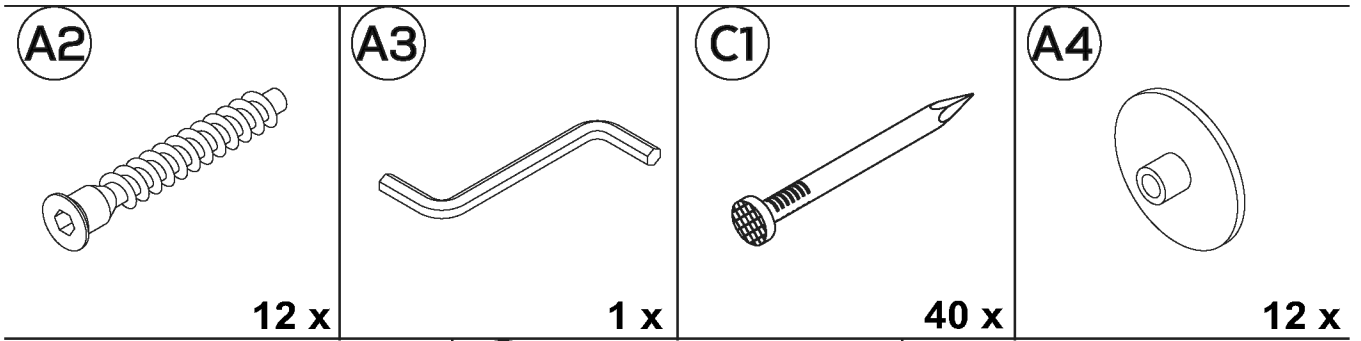




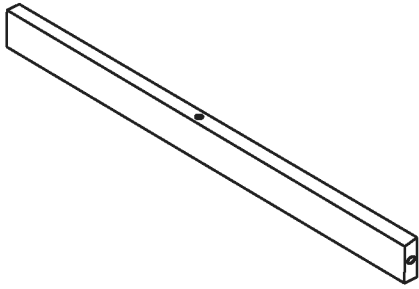
**GP009-0038**



**58 x 23 x 170cm**

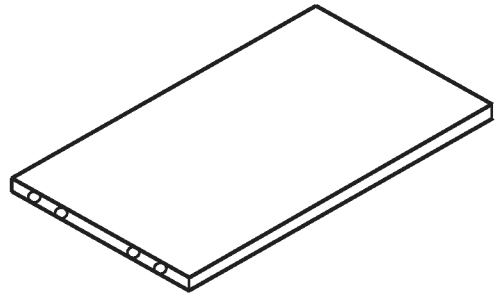


1



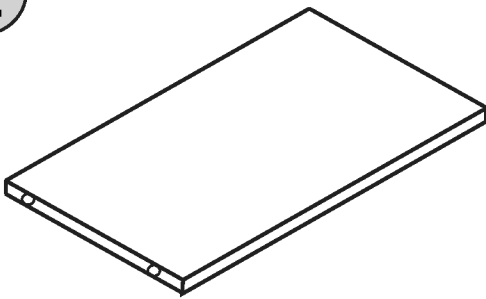
1 x

3



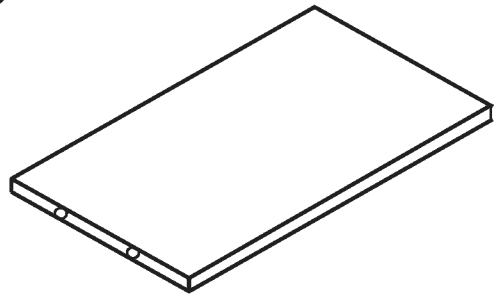
2 x

2



1 x

4



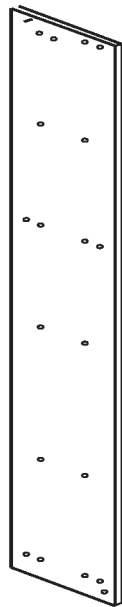
3 x

5



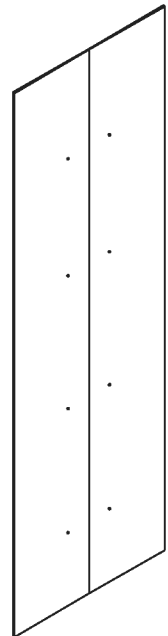
1 x

6



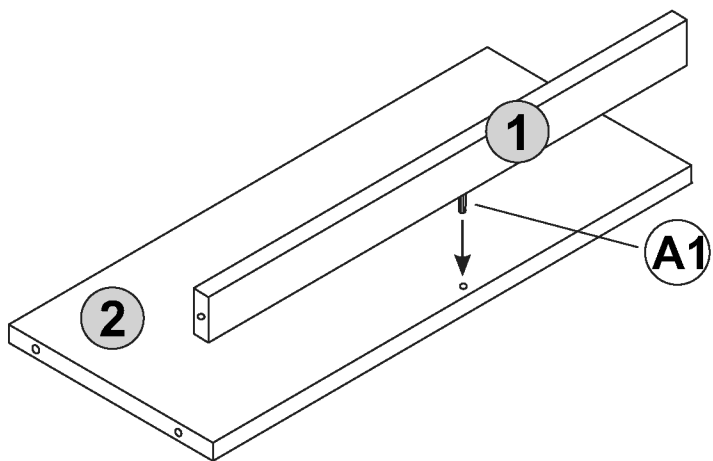
1 x

7

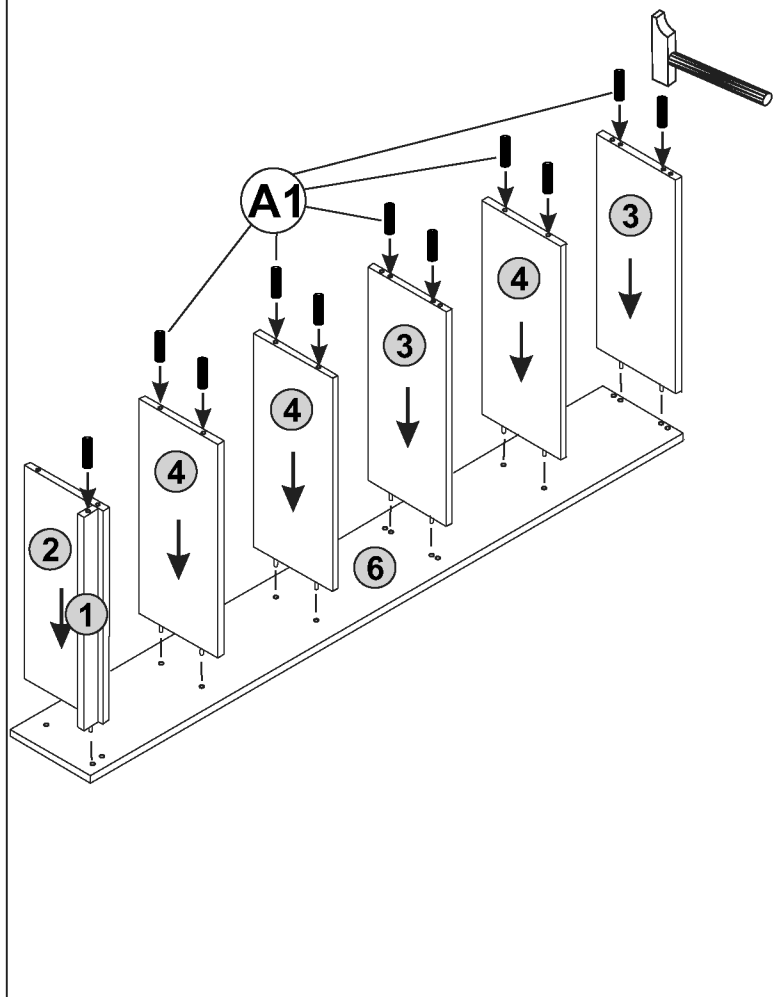


1 x

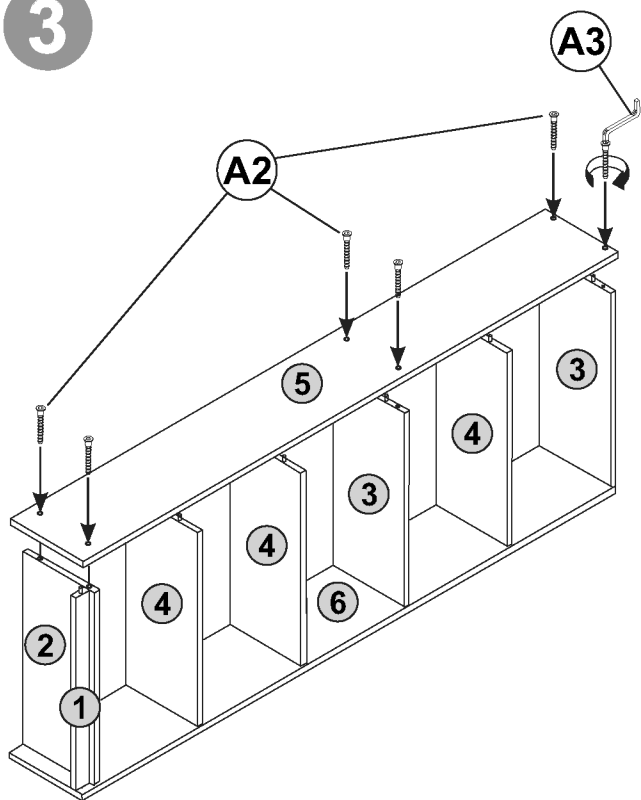
1



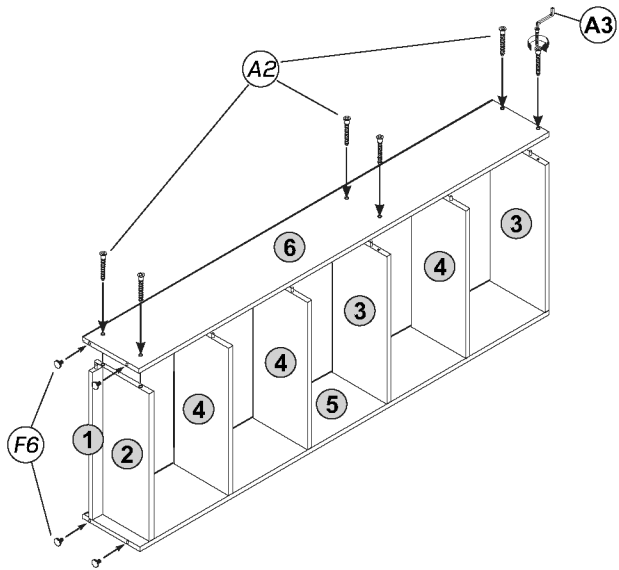
2



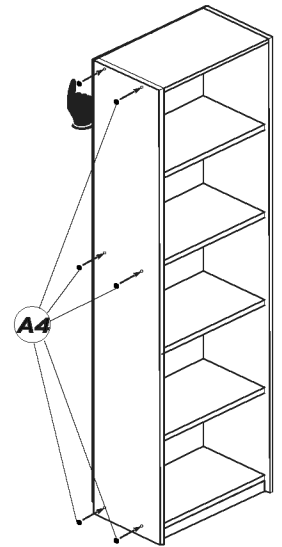
3



4



5



6

