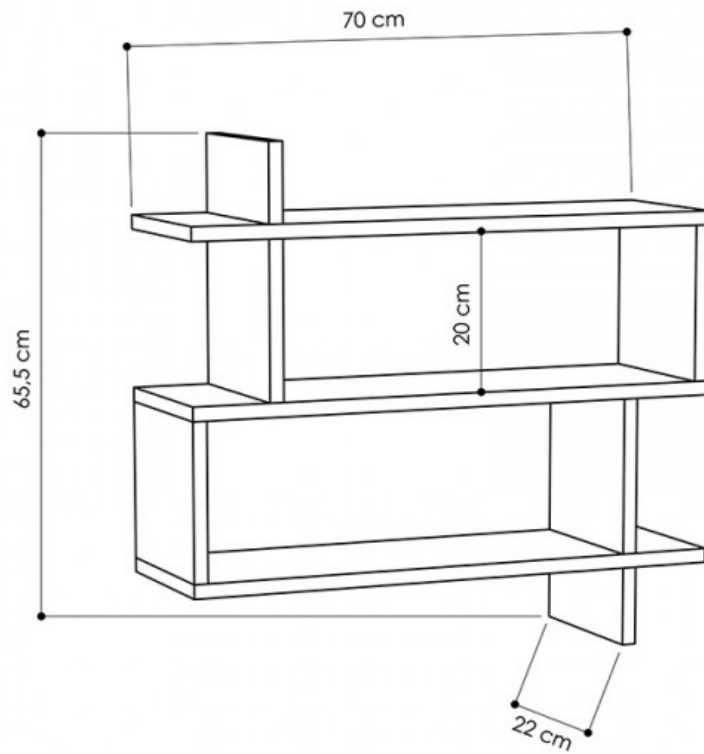


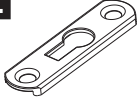

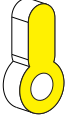

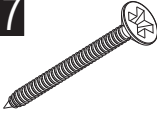

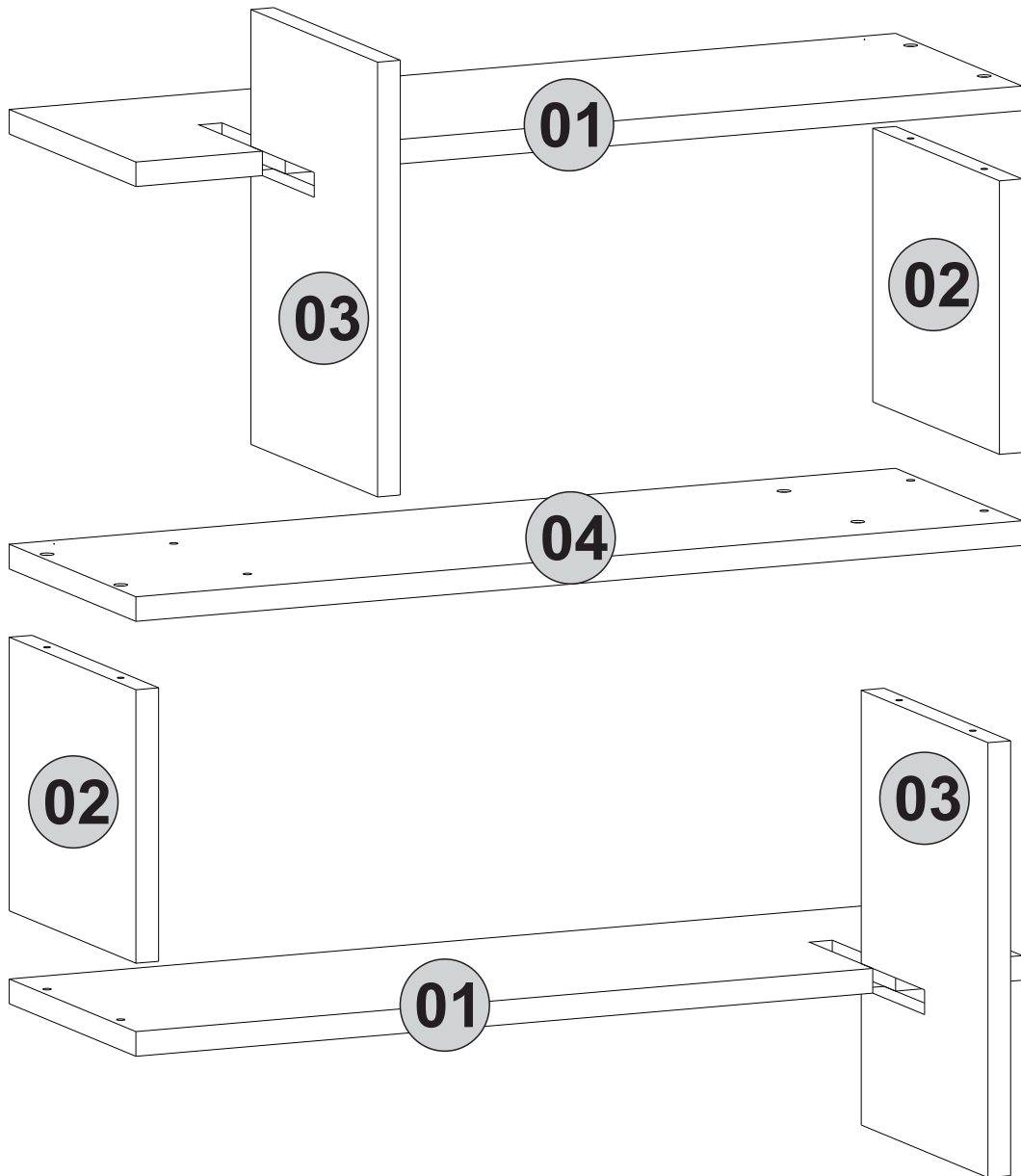




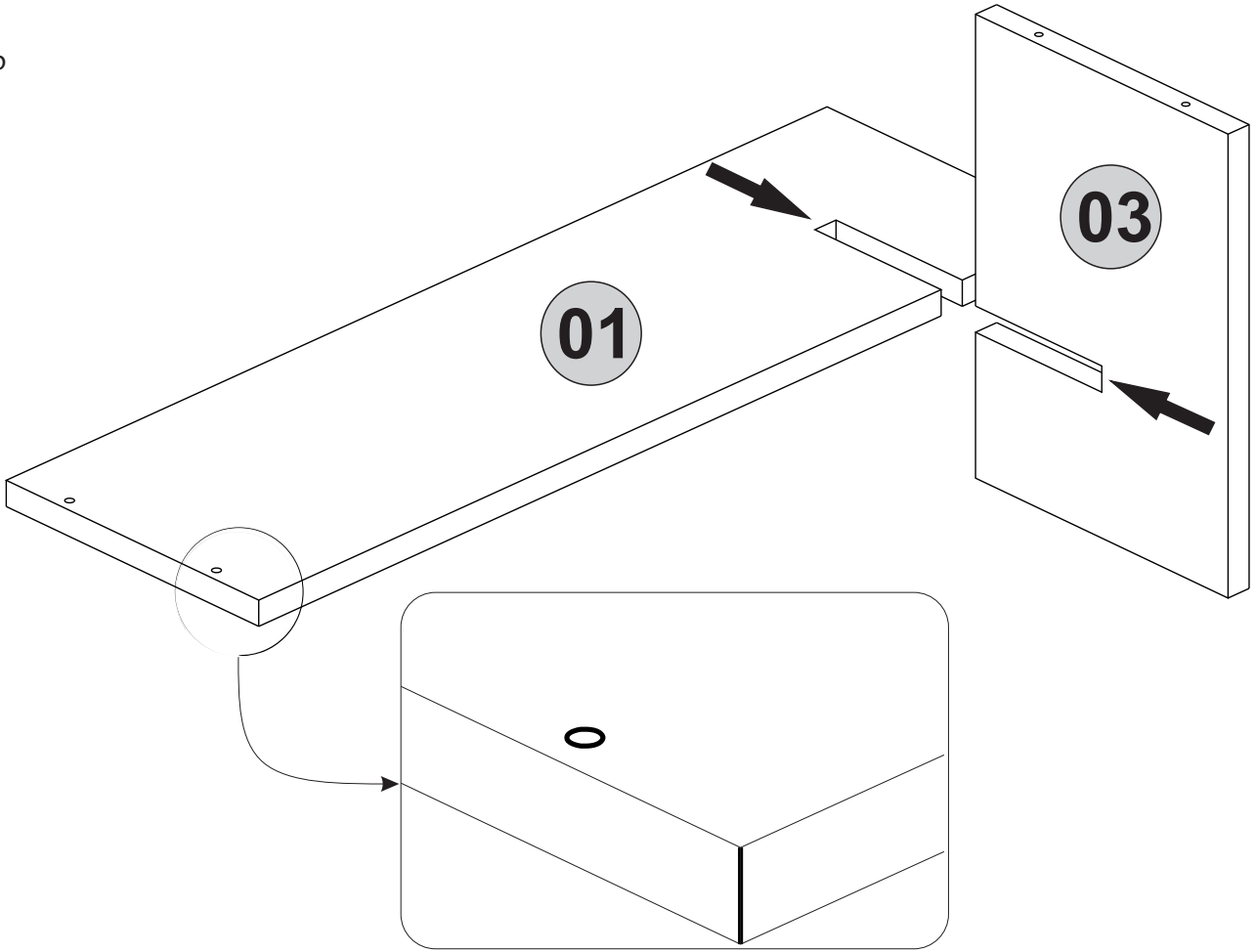
GP037-0037,1



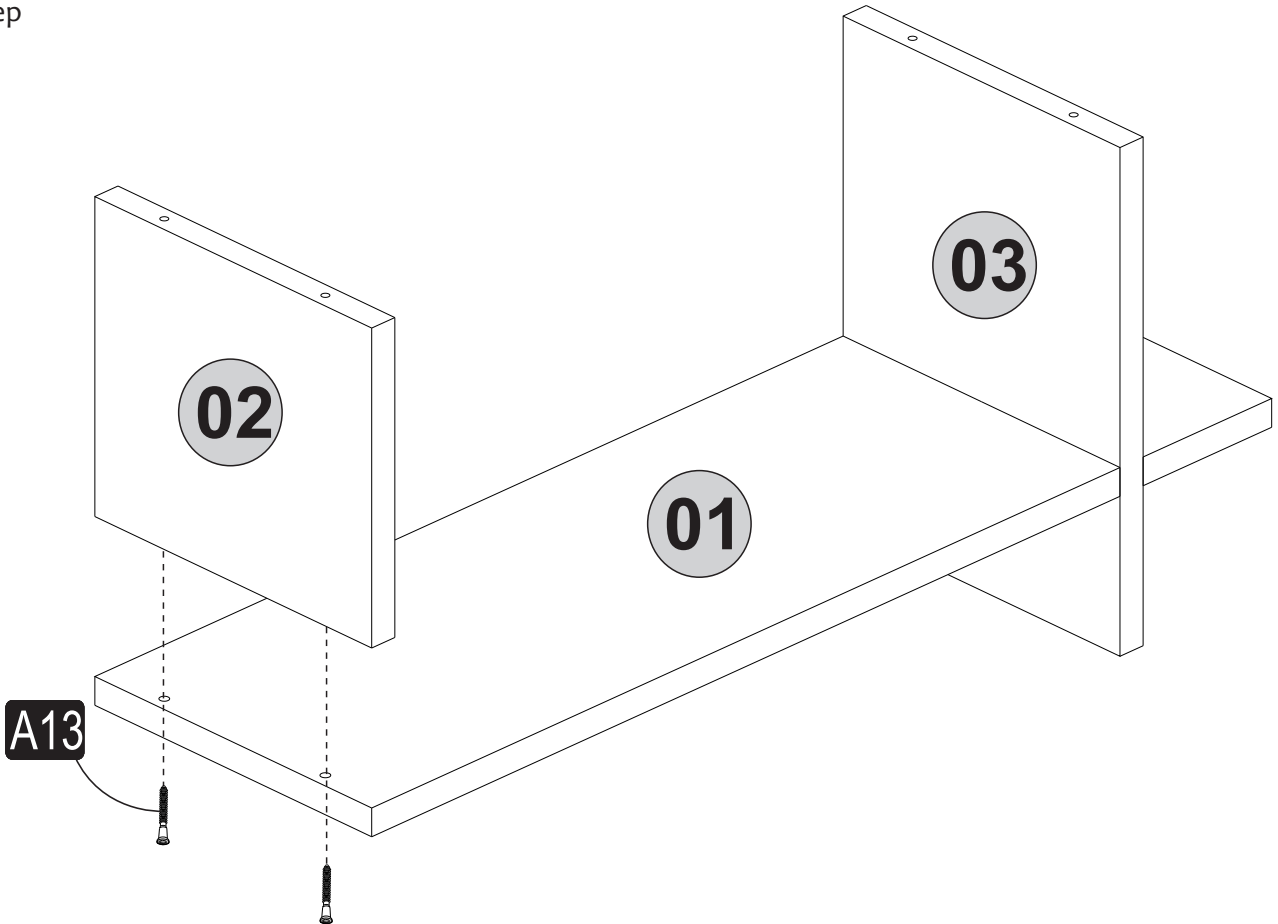
A13  50mm 12x	A12  4 SW 1x	A32  60/16 2x	A11  3,5x30 4x	Z18  Gbdy 2x
A16  DbØ8 2x	A17  4x50 2x	A06  18mm 12x		



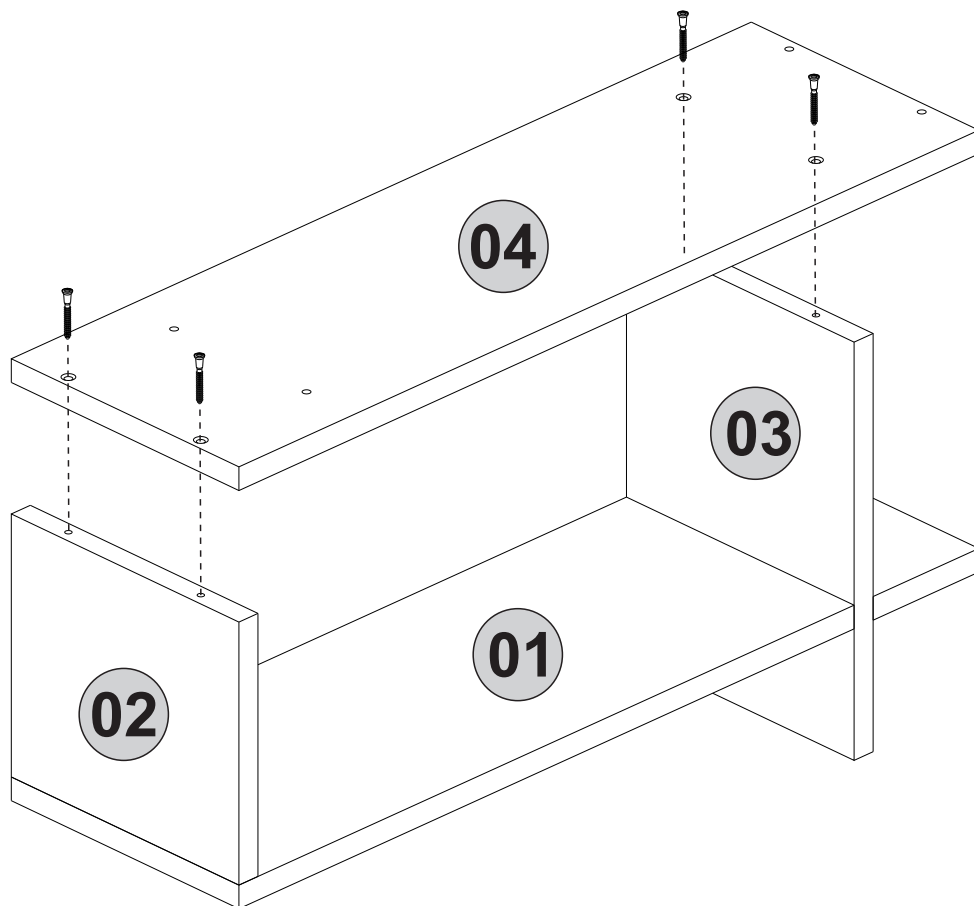
1. step



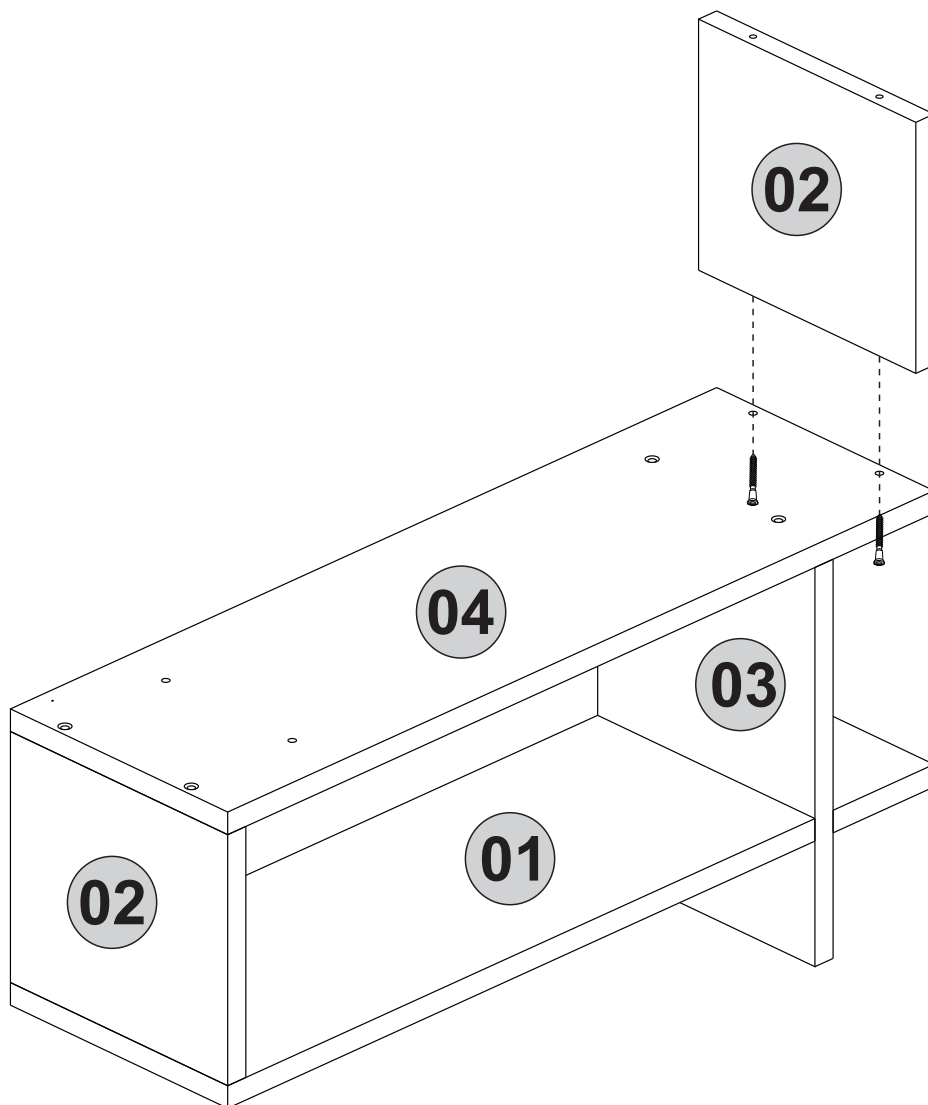
2. step



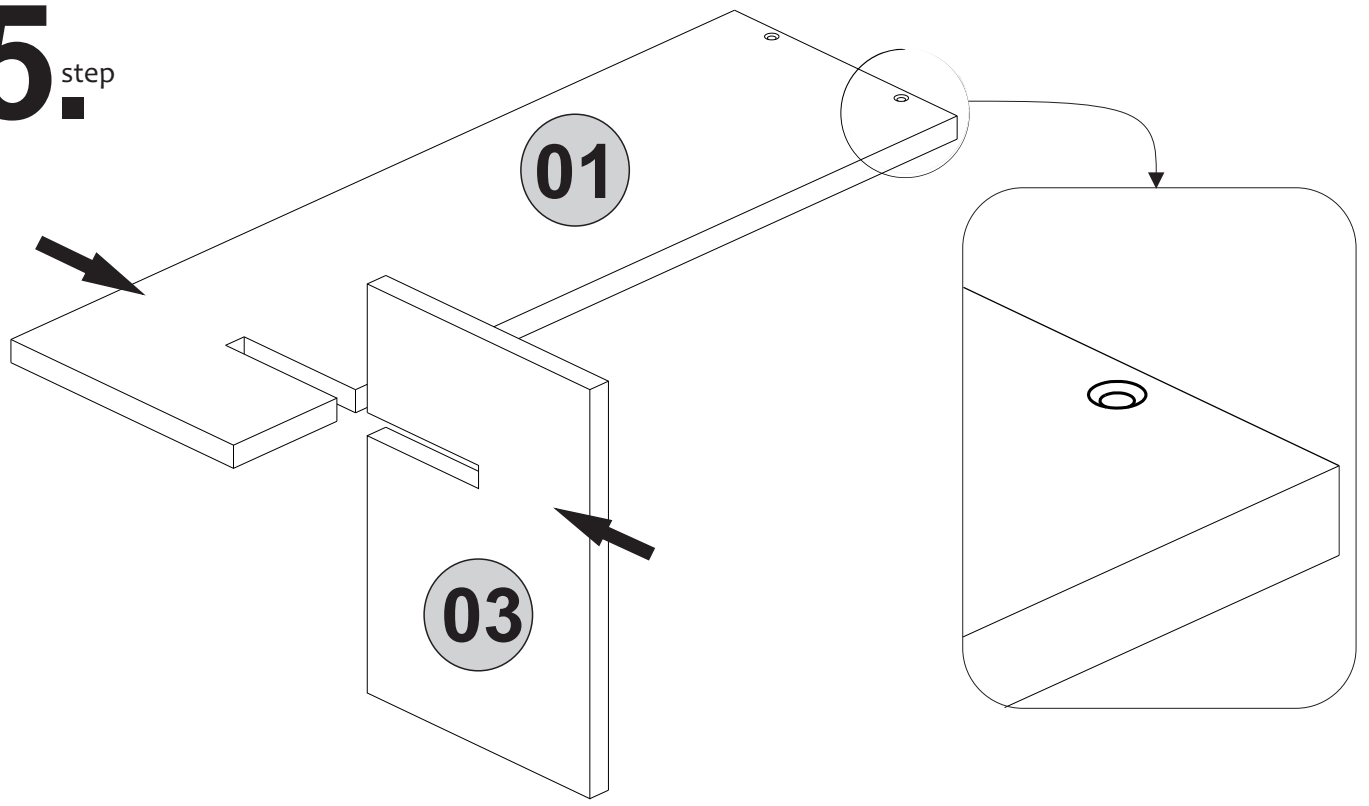
3^{step}



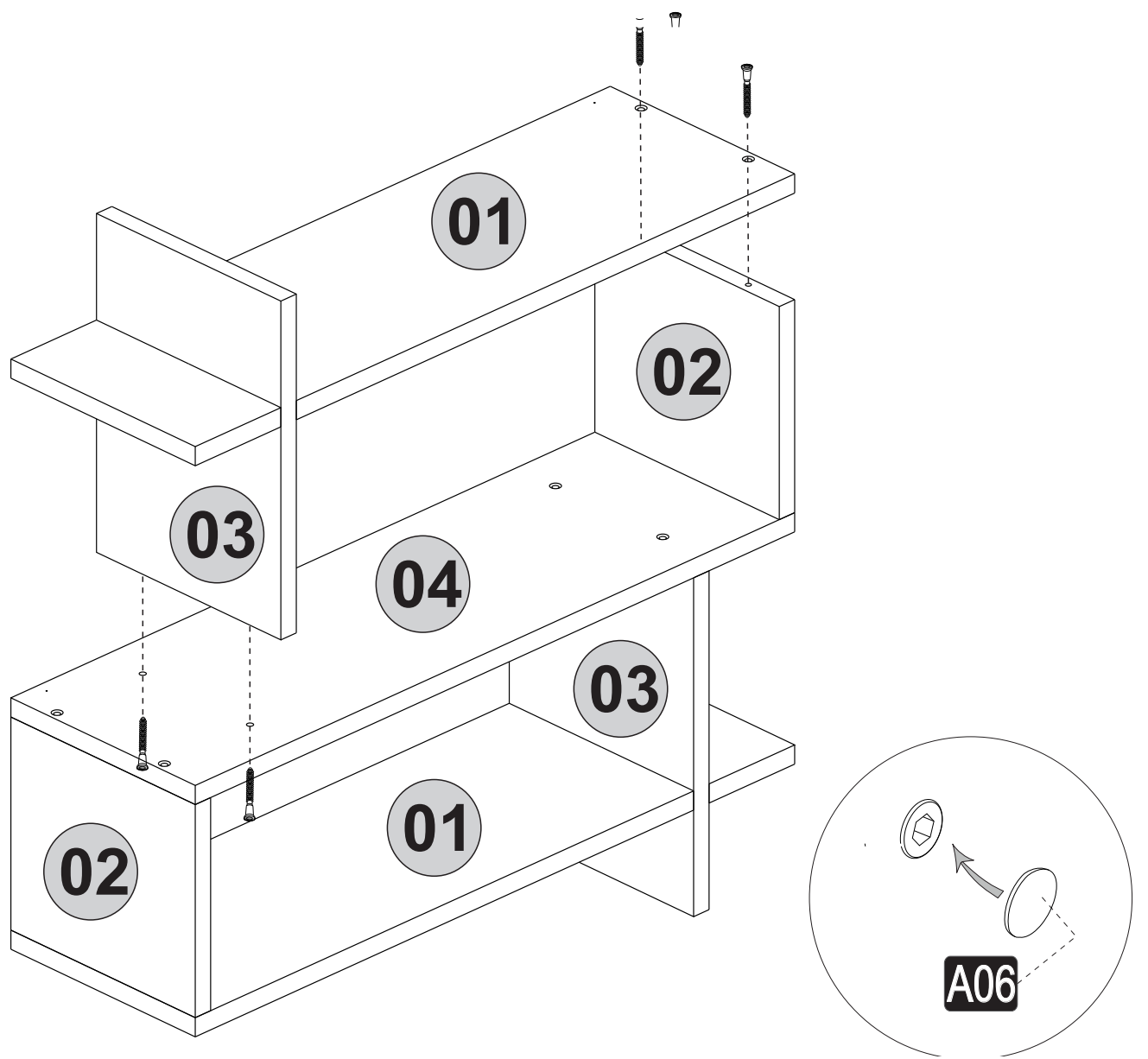
4^{step}



5 step

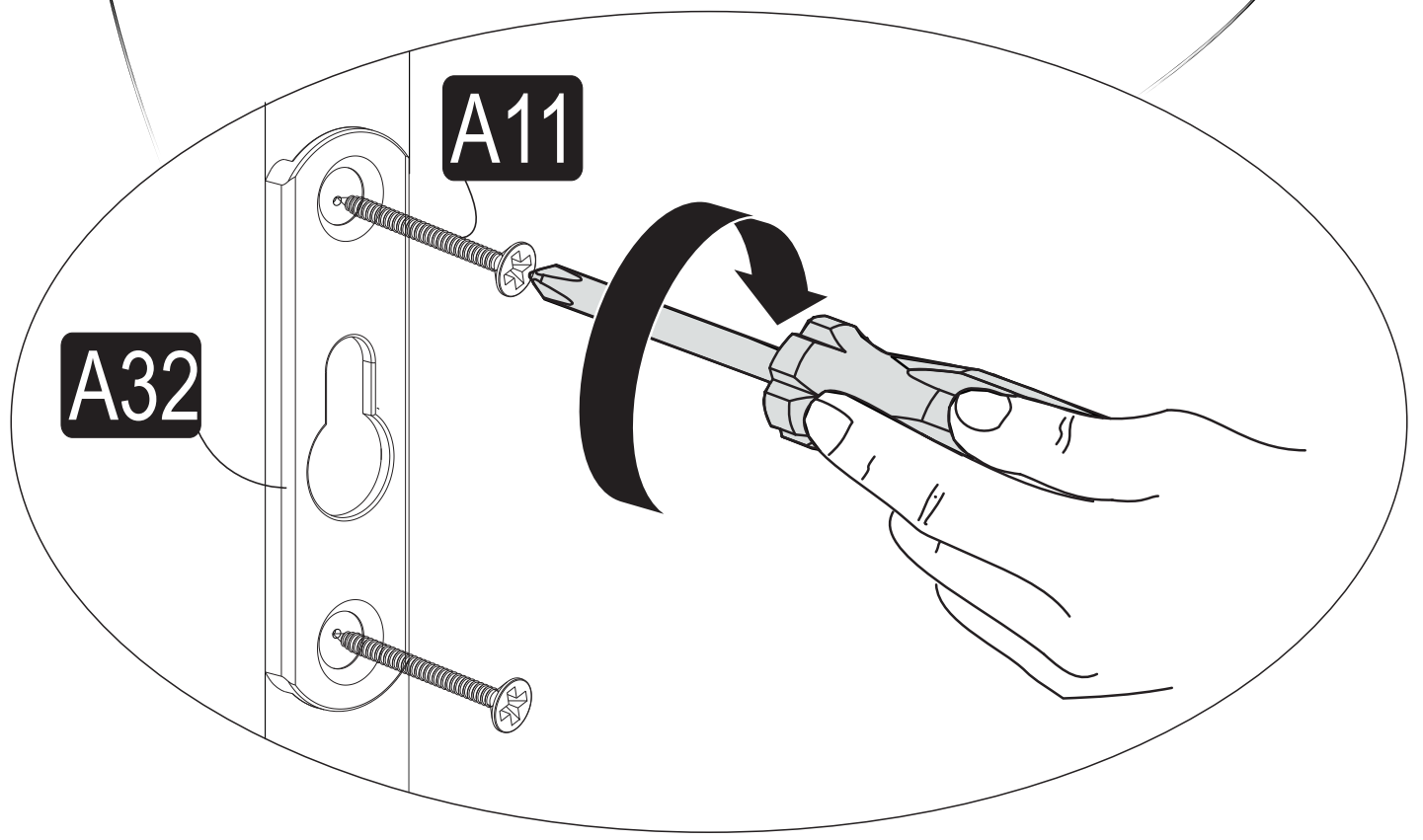
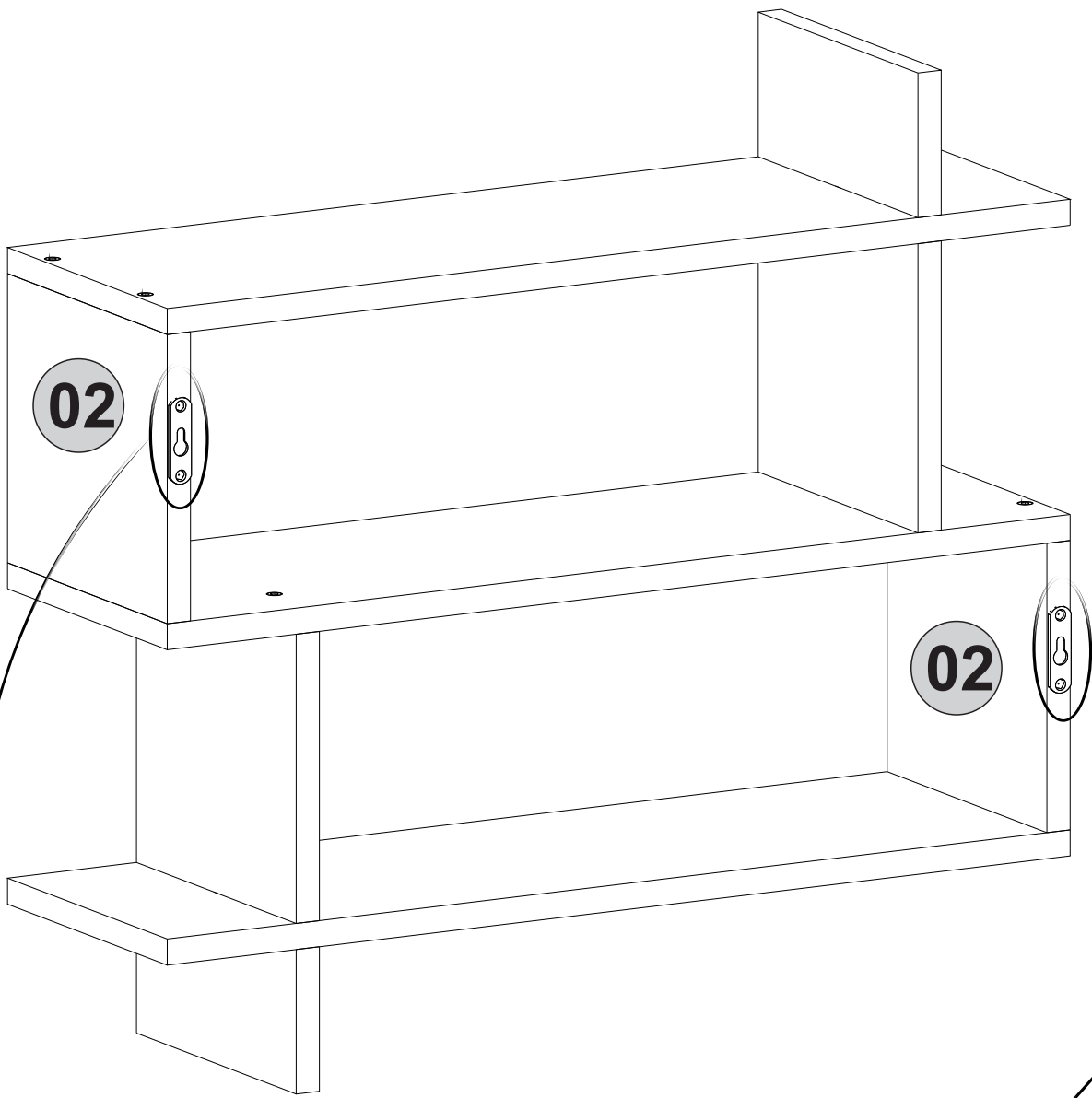


6 step

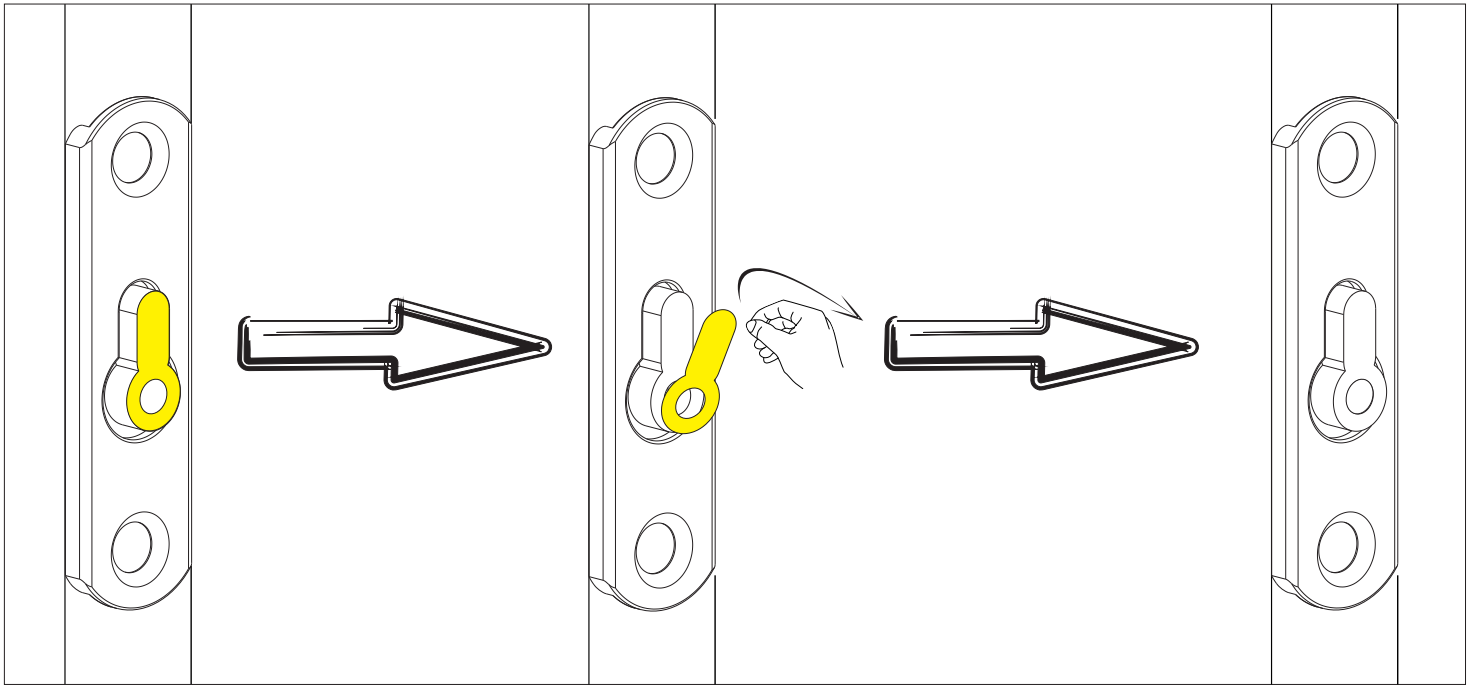
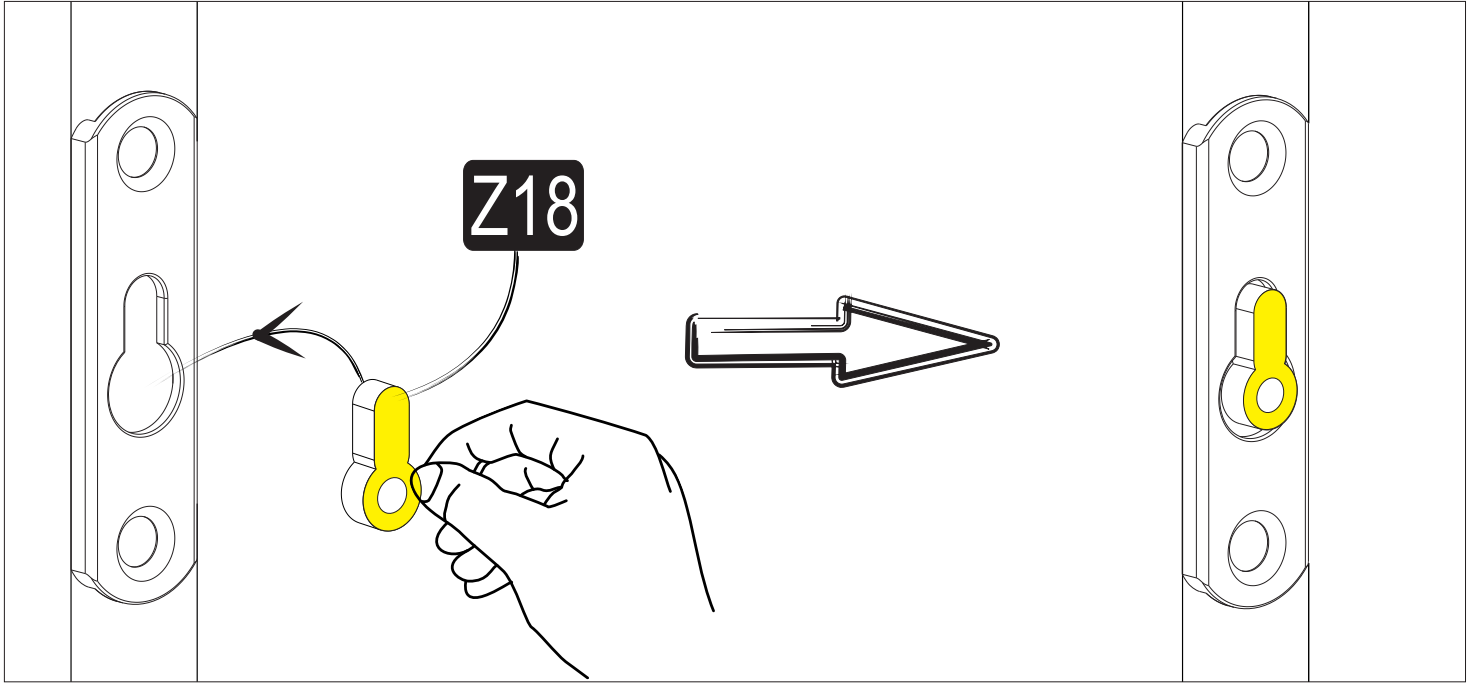


A06

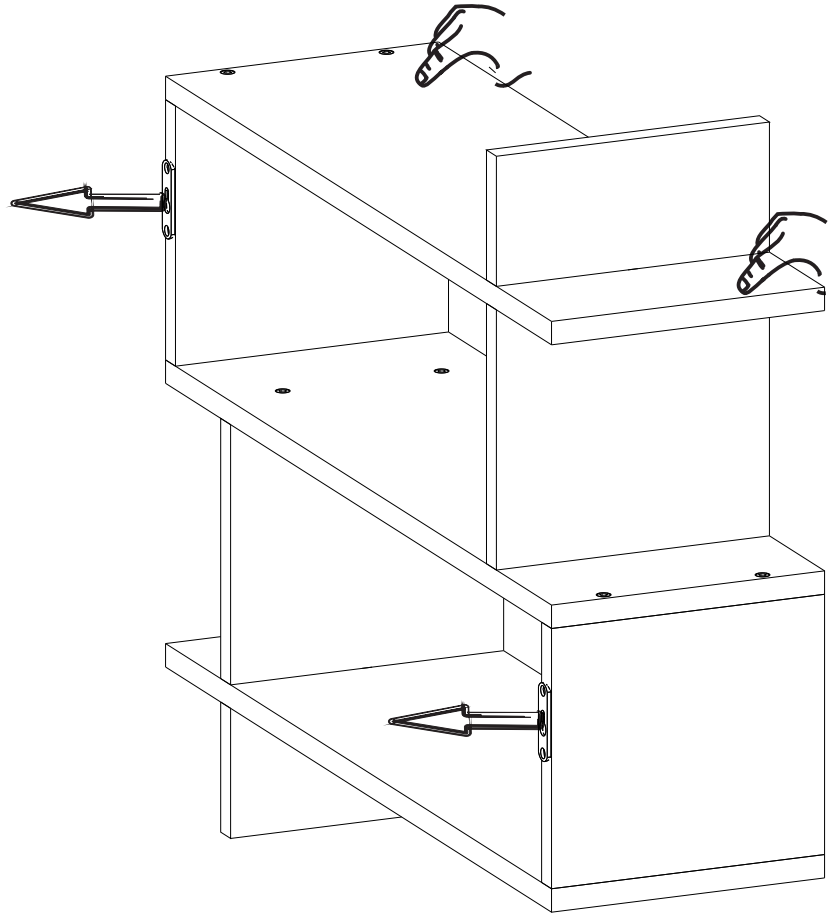
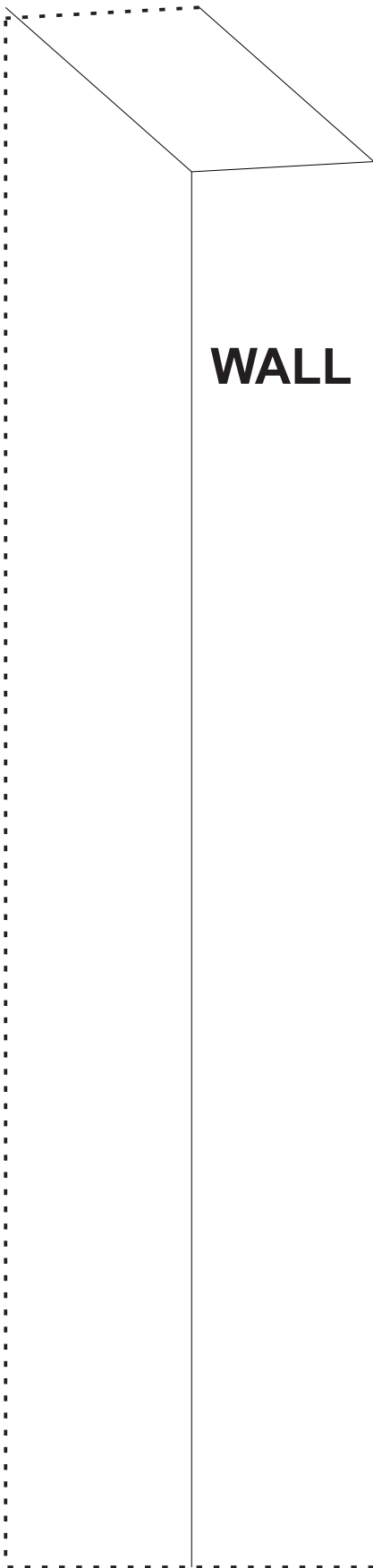
7 step



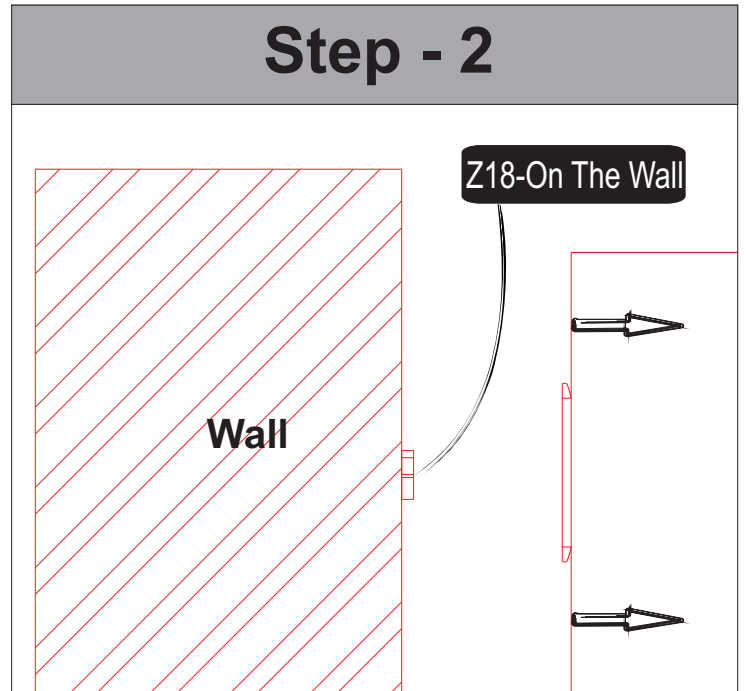
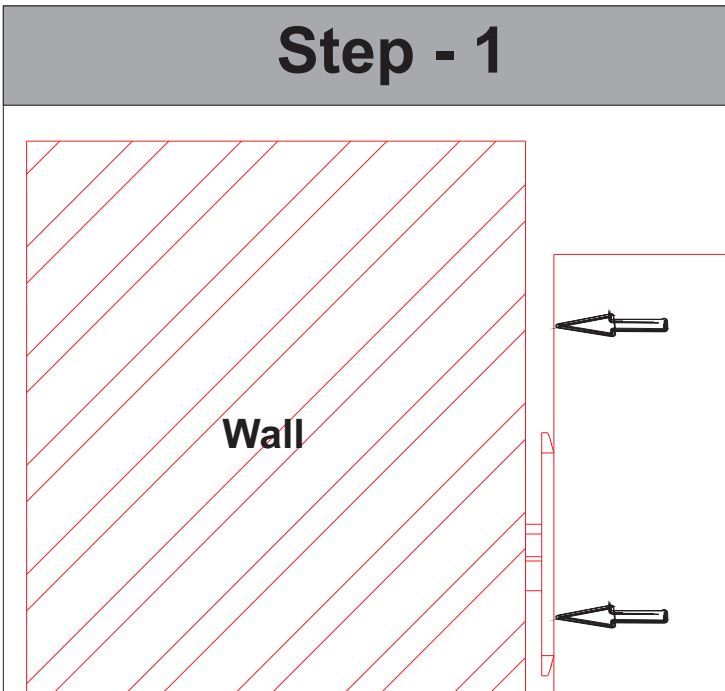
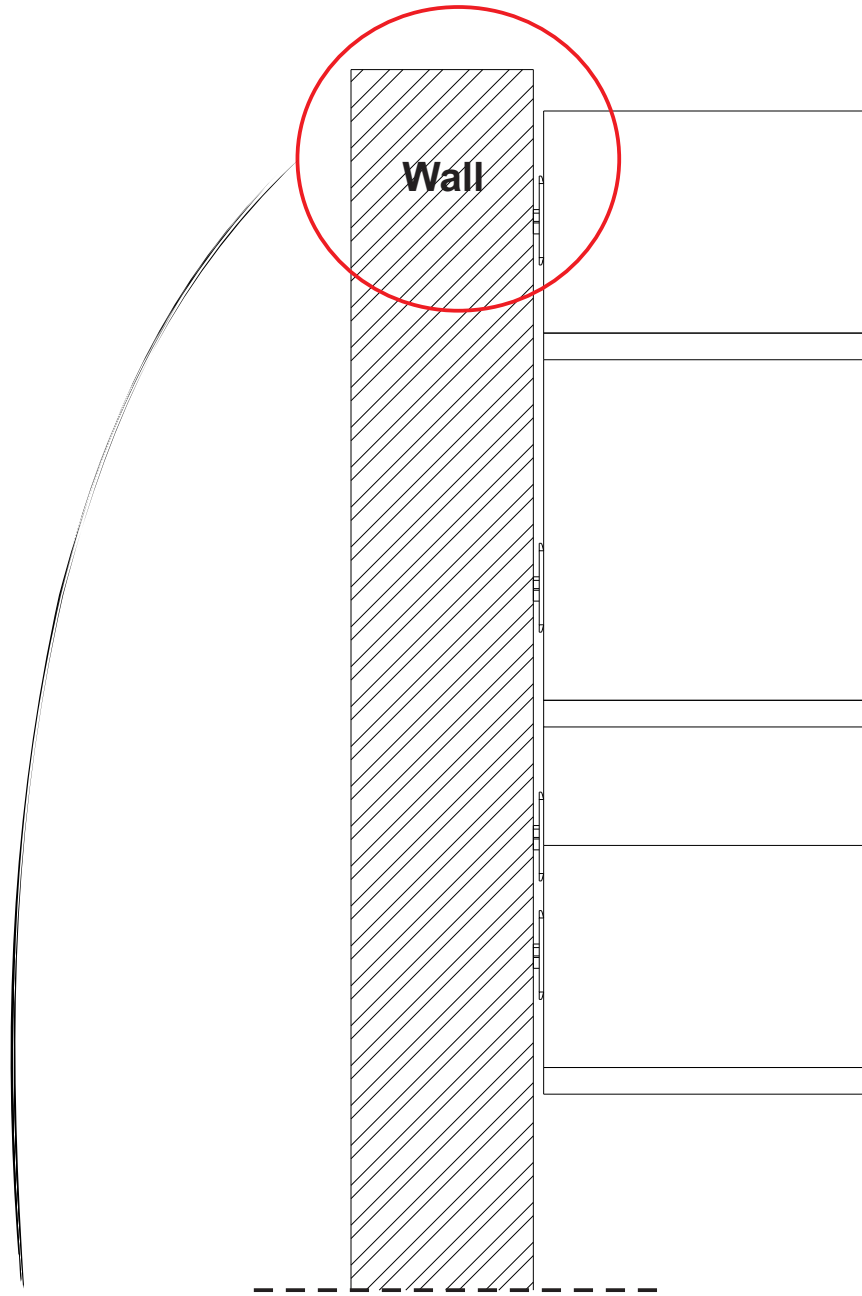
8 step



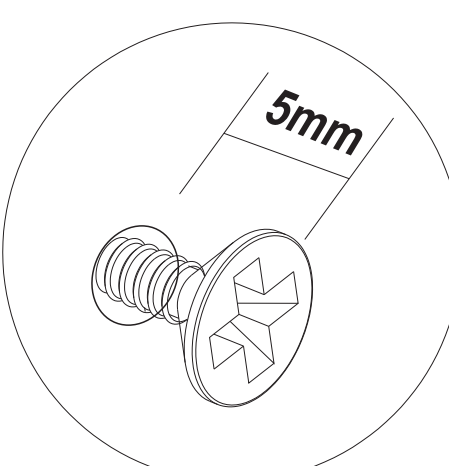
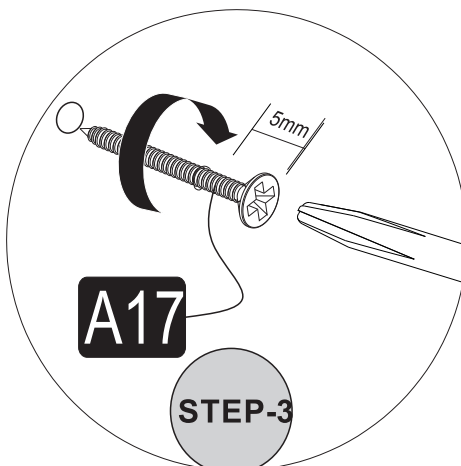
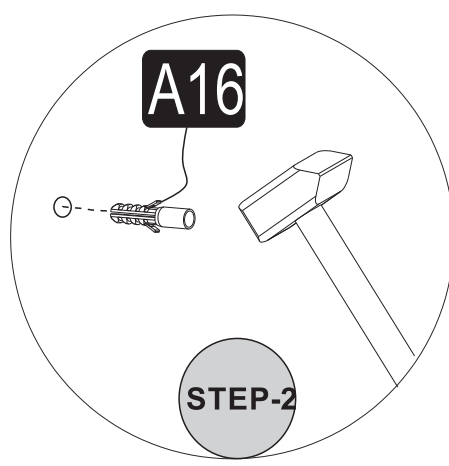
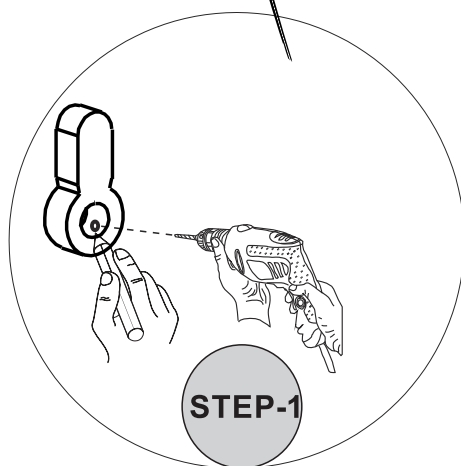
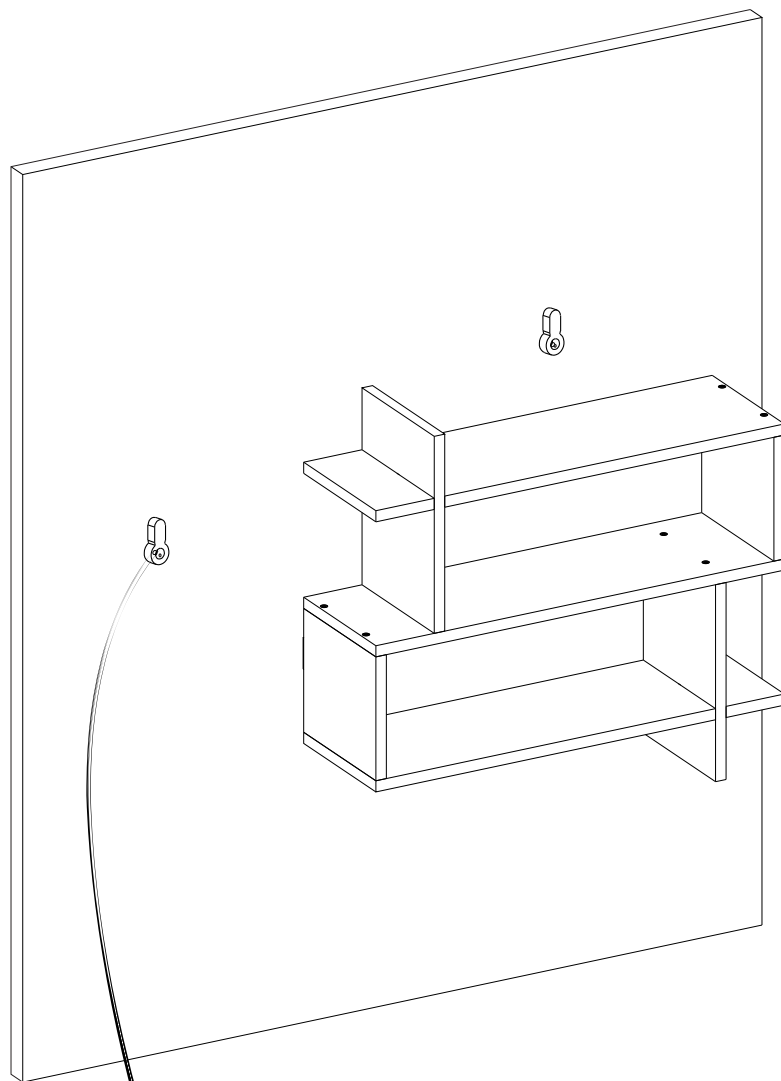
9^{step}



10.^{step}



11. step



12_{step}

