

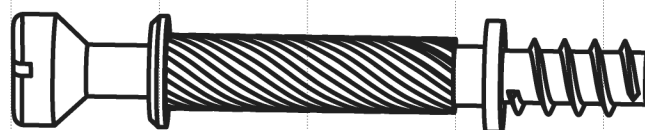
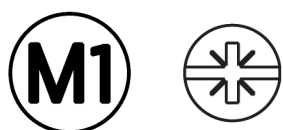
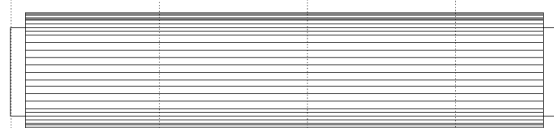
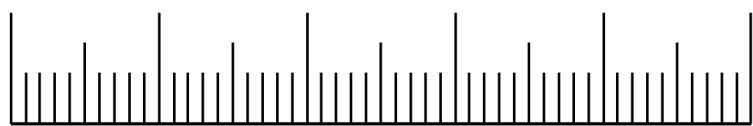


**GP009-0230**



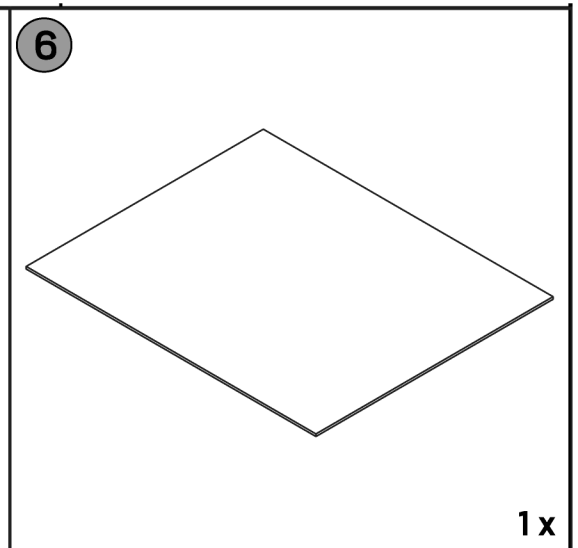
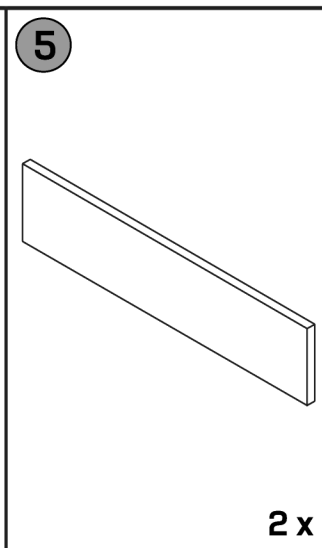
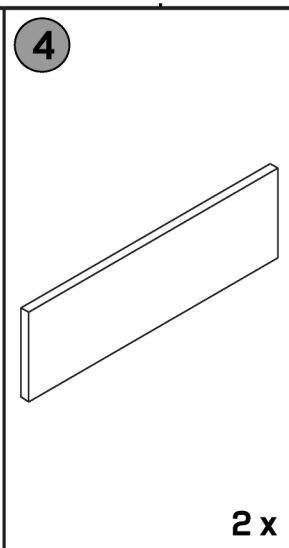
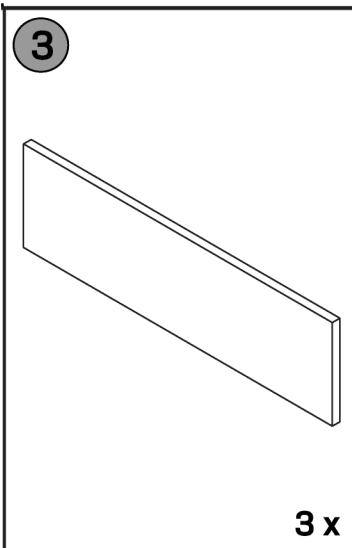
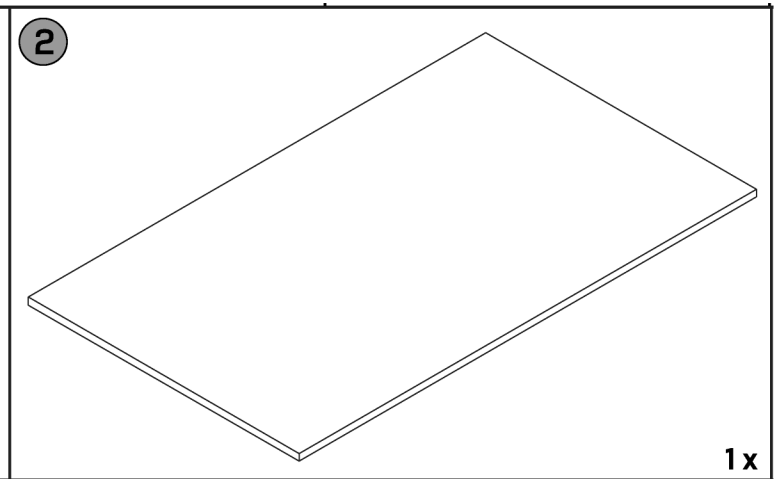
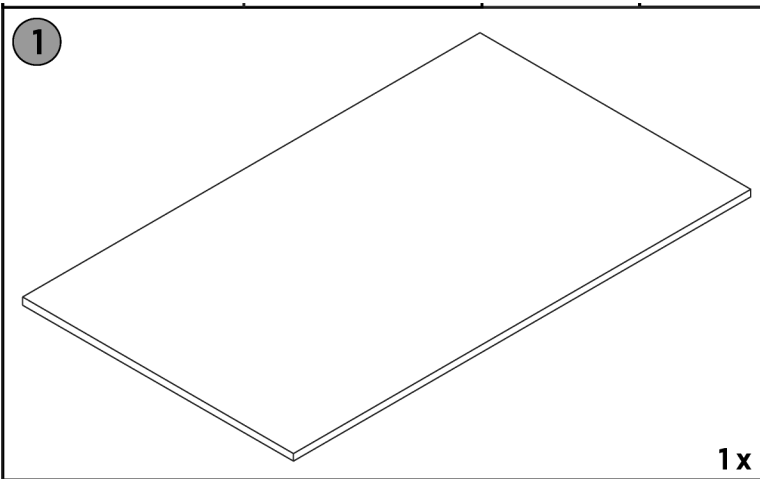
110 x 65 x 42cm

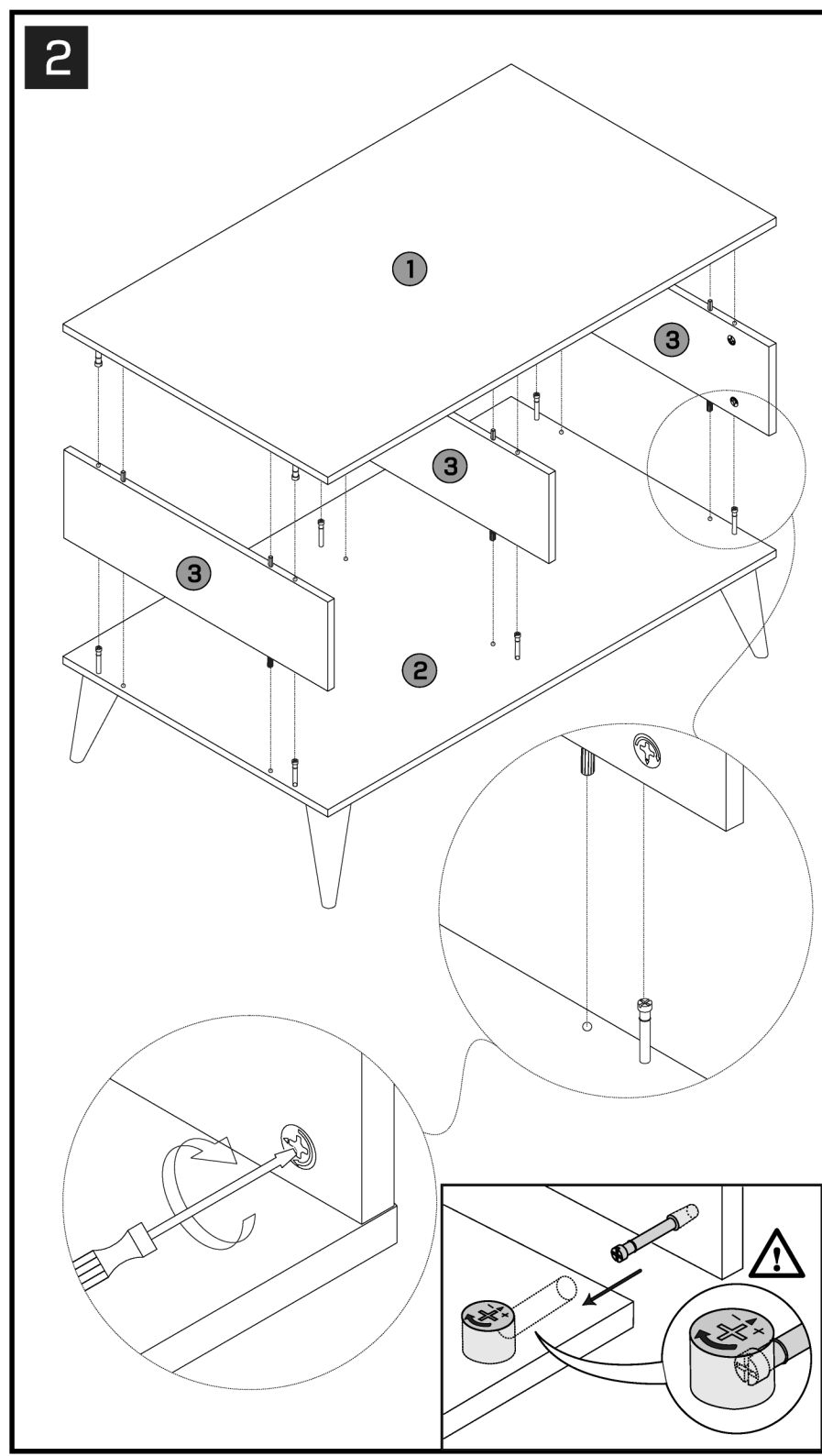
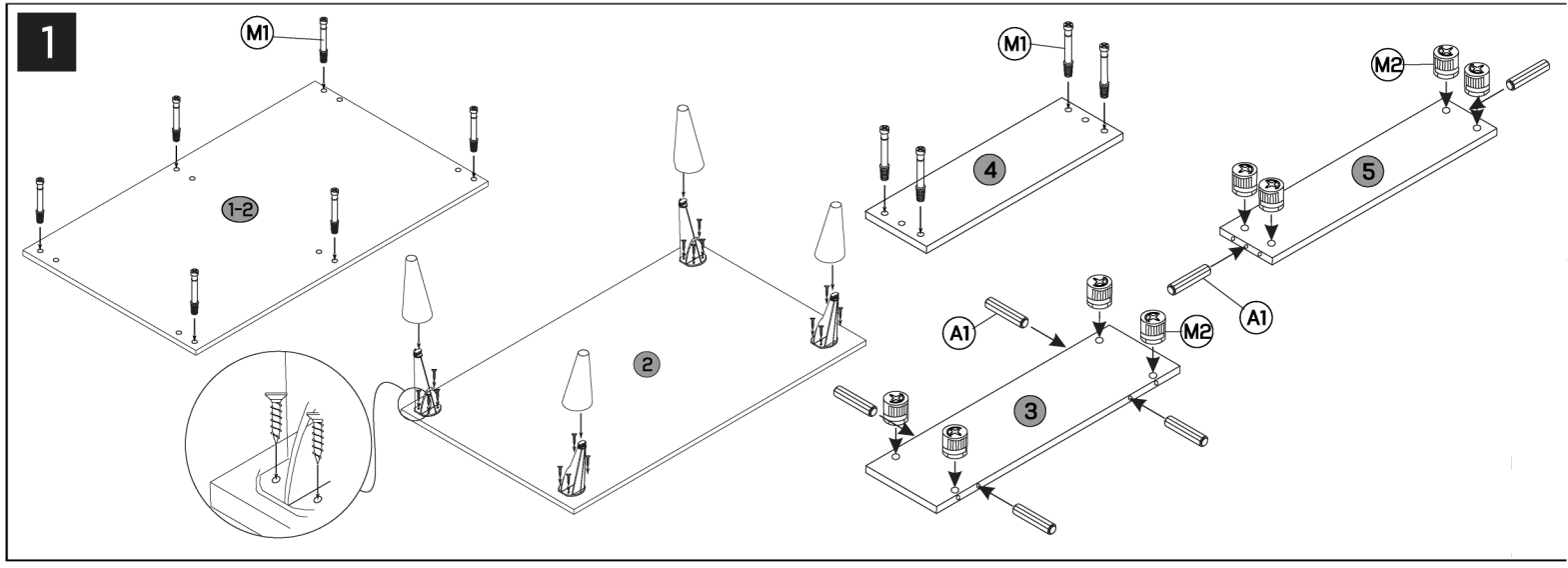
0 1 2 3 4 5 cm



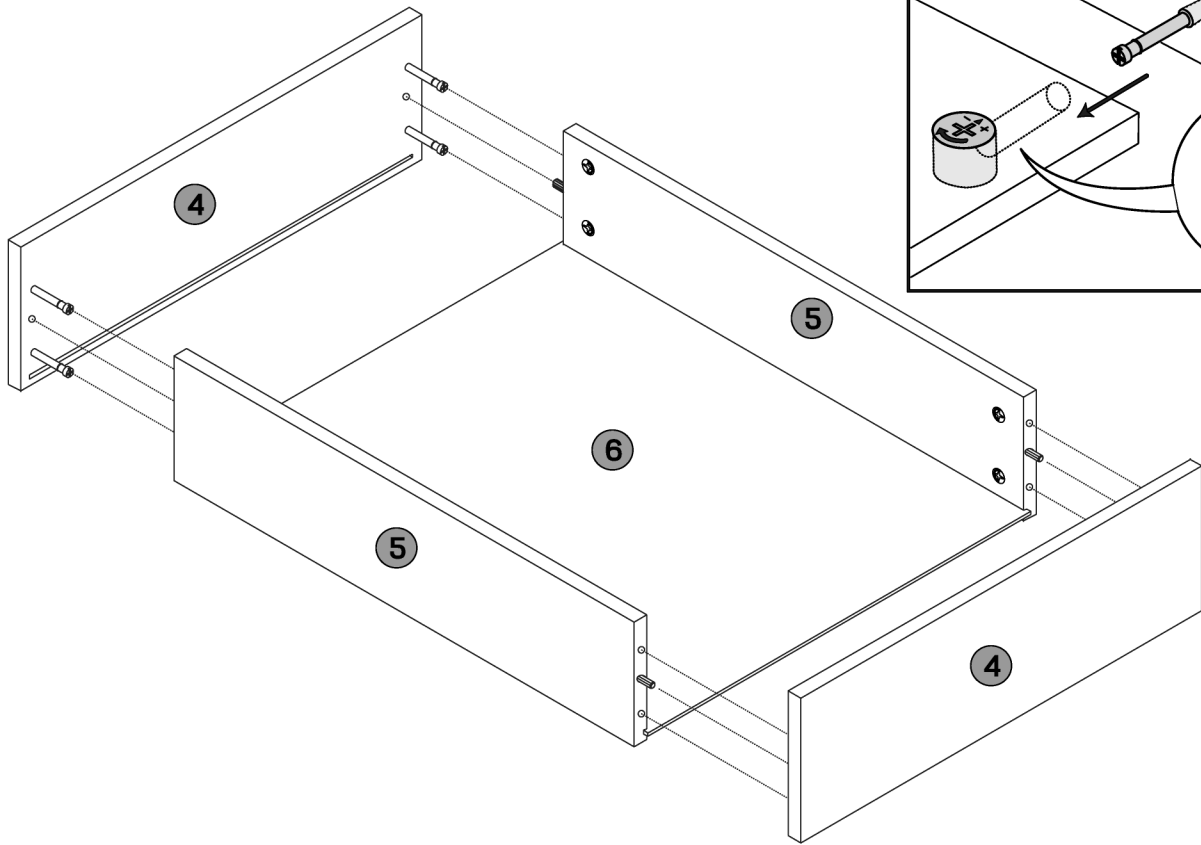
|                              |                              |                              |
|------------------------------|------------------------------|------------------------------|
| <p><b>A1</b></p> <p>16 x</p> | <p><b>M1</b></p> <p>20 x</p> | <p><b>M2</b></p> <p>20 x</p> |
|------------------------------|------------------------------|------------------------------|

|                             |   |                             |
|-----------------------------|---|-----------------------------|
| <p><b>A4</b></p> <p>4 x</p> | <p><b>V2</b></p> <p>4x20 mm</p> <p>16 x</p> | <p><b>F3</b></p> <p>4 x</p> |
|-----------------------------|---|-----------------------------|





3



4

