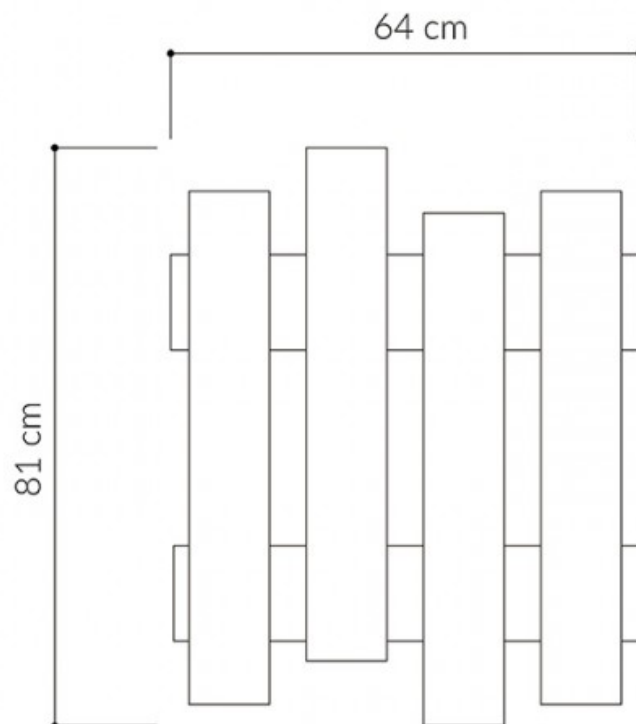



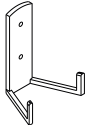
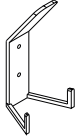



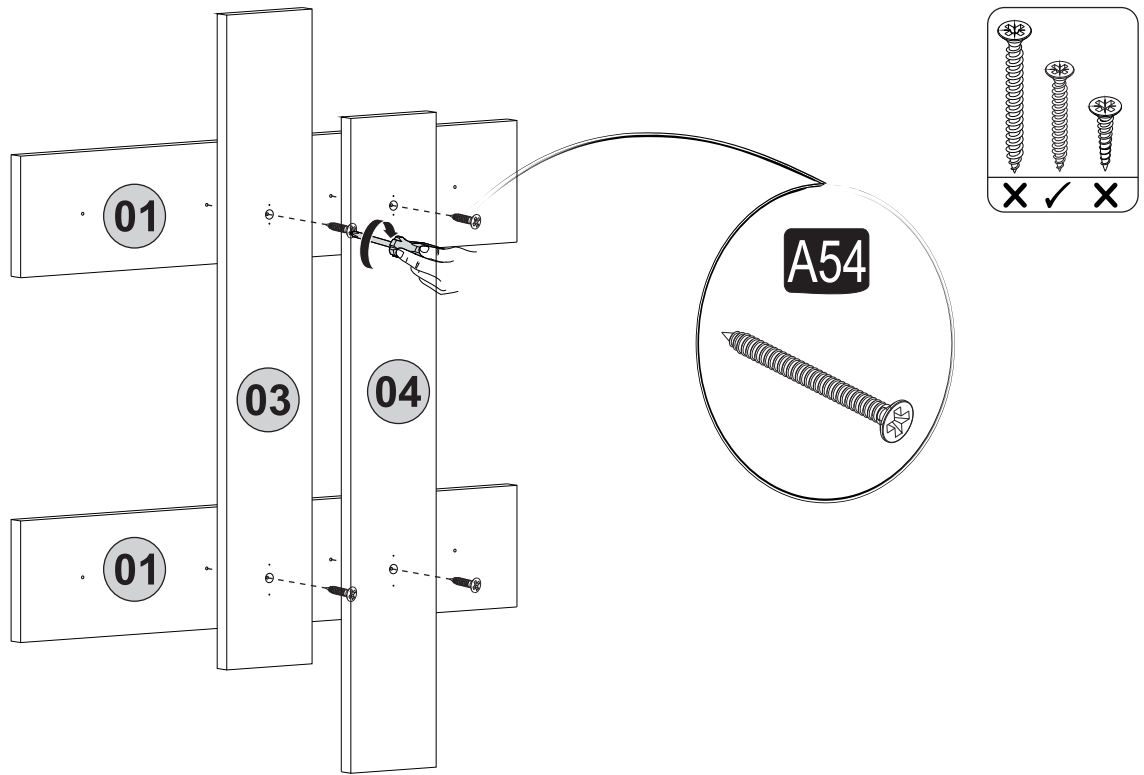
i GP037-0044,2



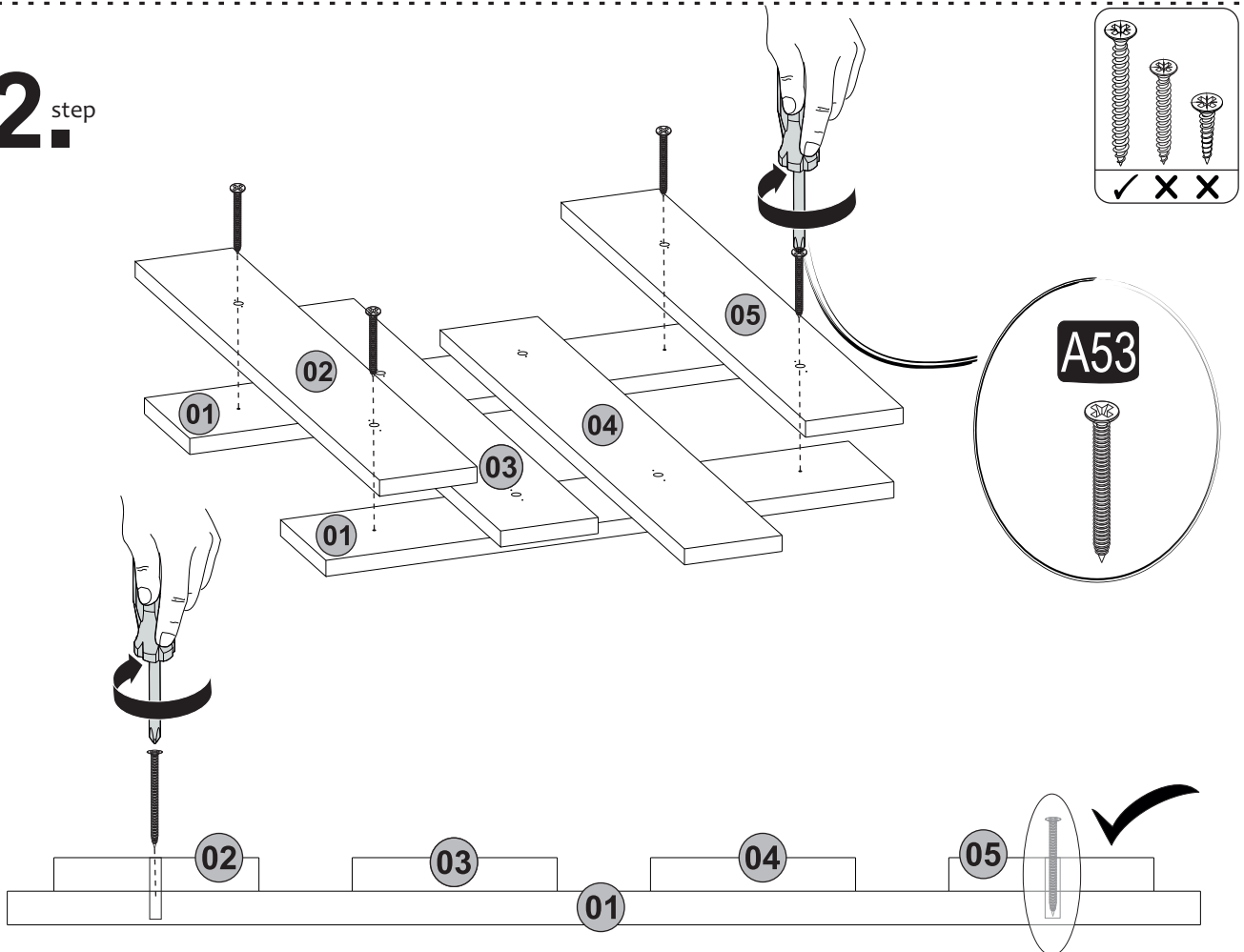
A54  4x30 4x	A53  4x70 4x	A16  DbØ8 4x	Z68  PKAGK (grey) 4x	Z69  PKAGB (grey) 4x
A18  3,5x18 16x				



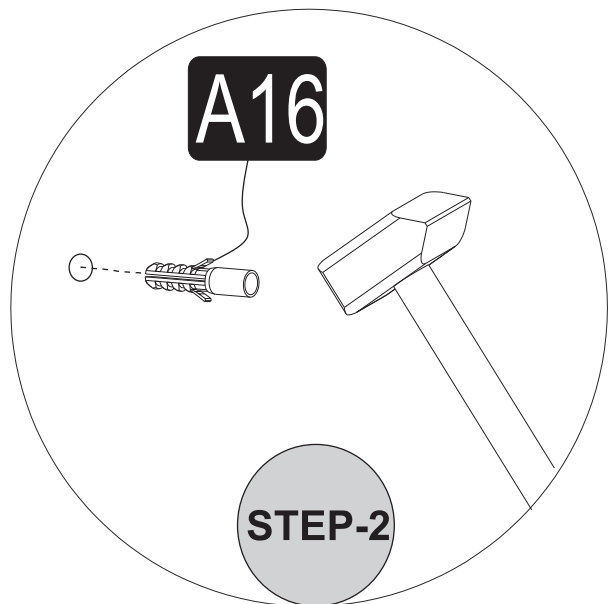
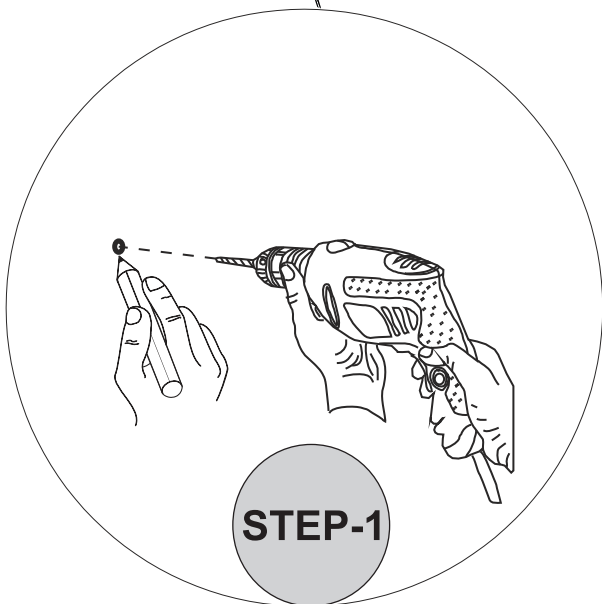
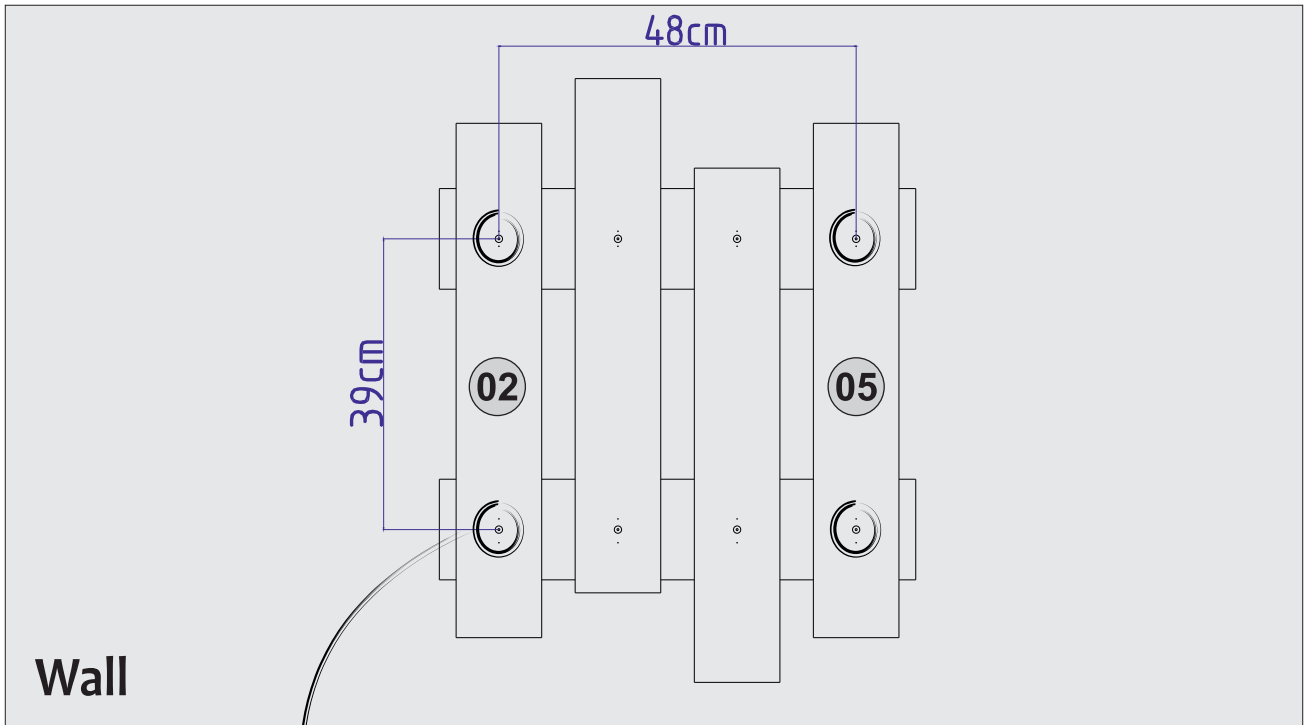
1. step



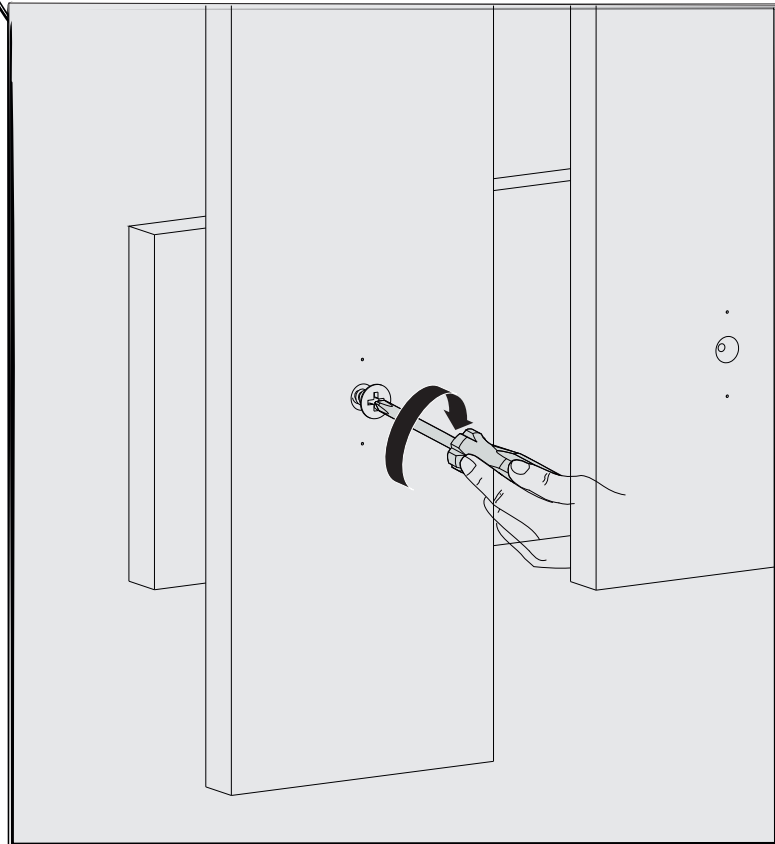
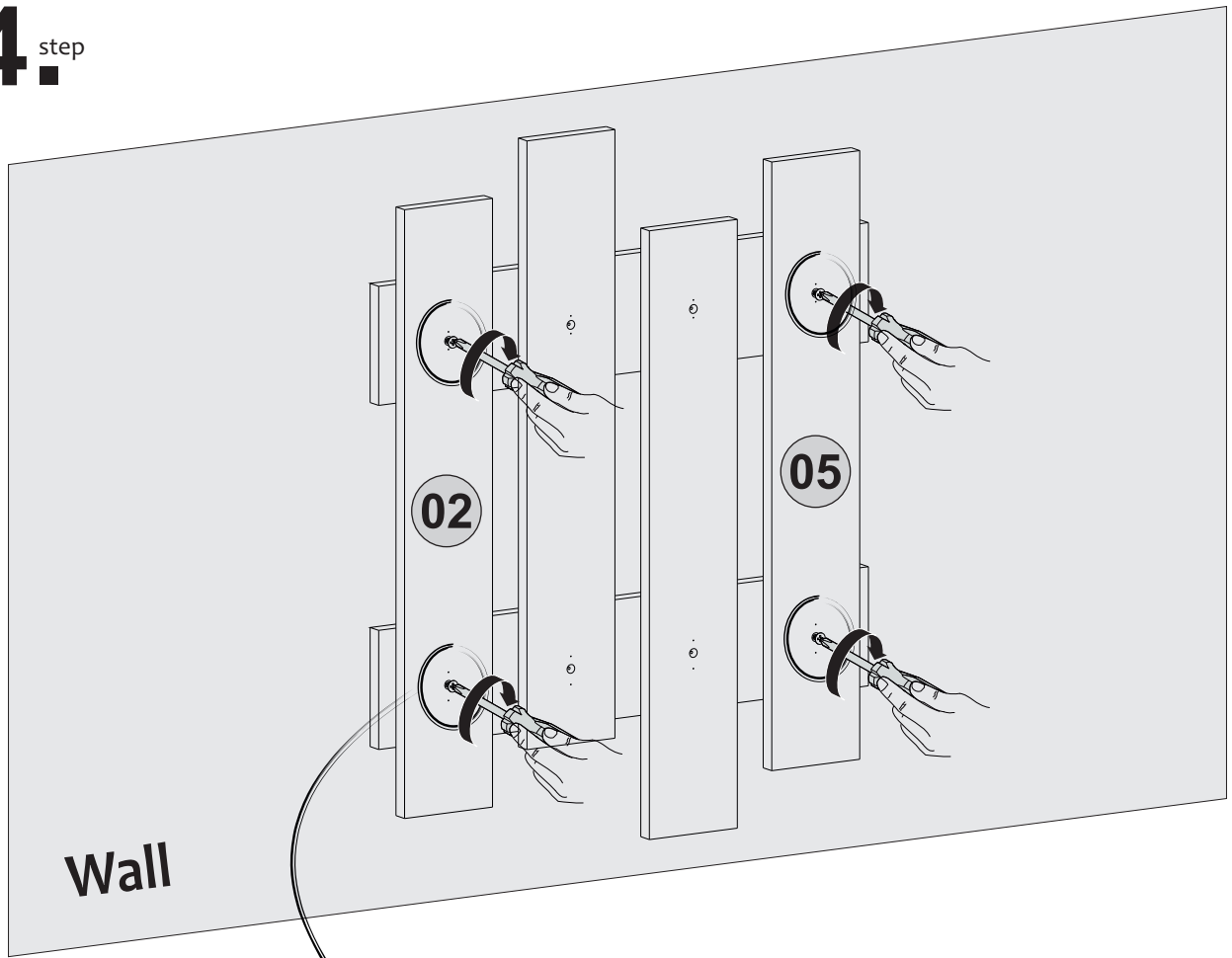
2. step



3^{step}



4_{step}



5. step

