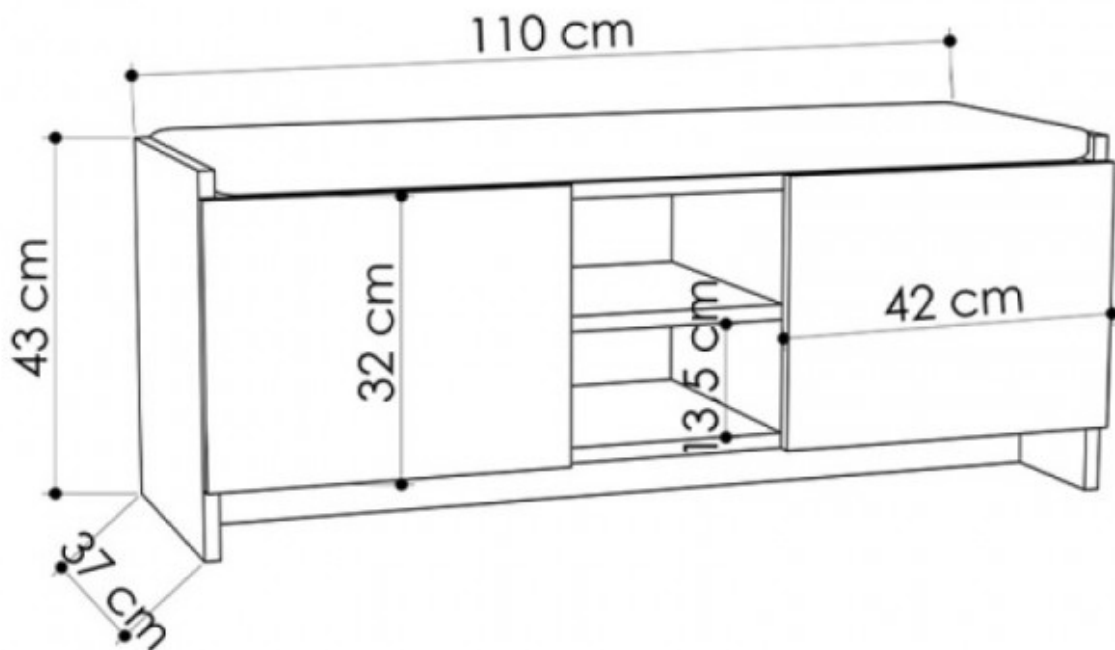

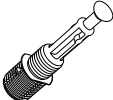
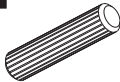
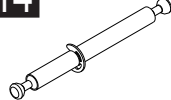
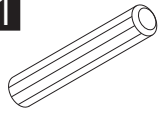
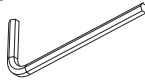

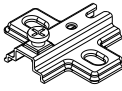

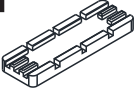
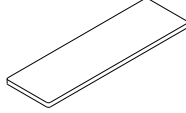

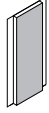
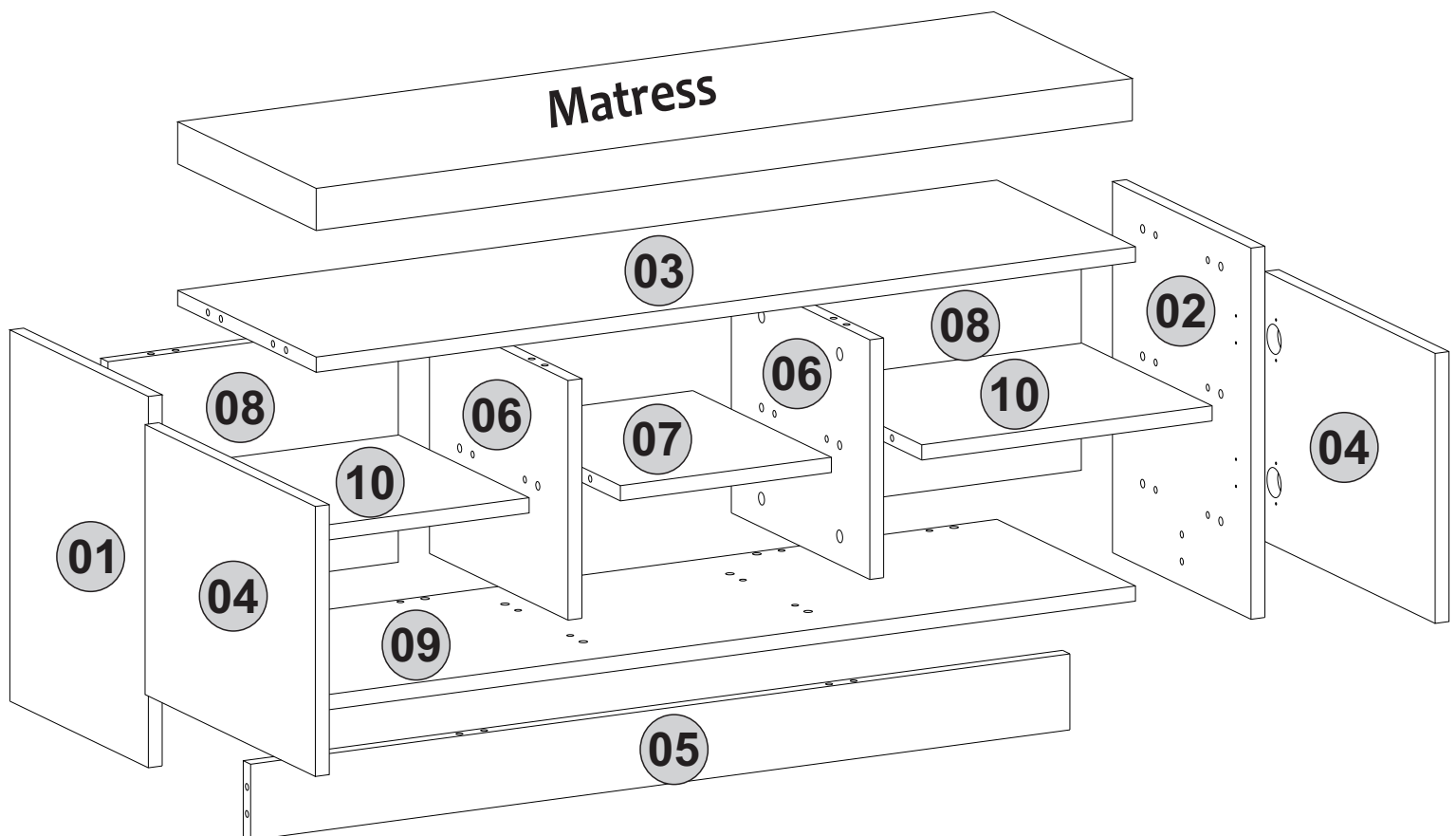


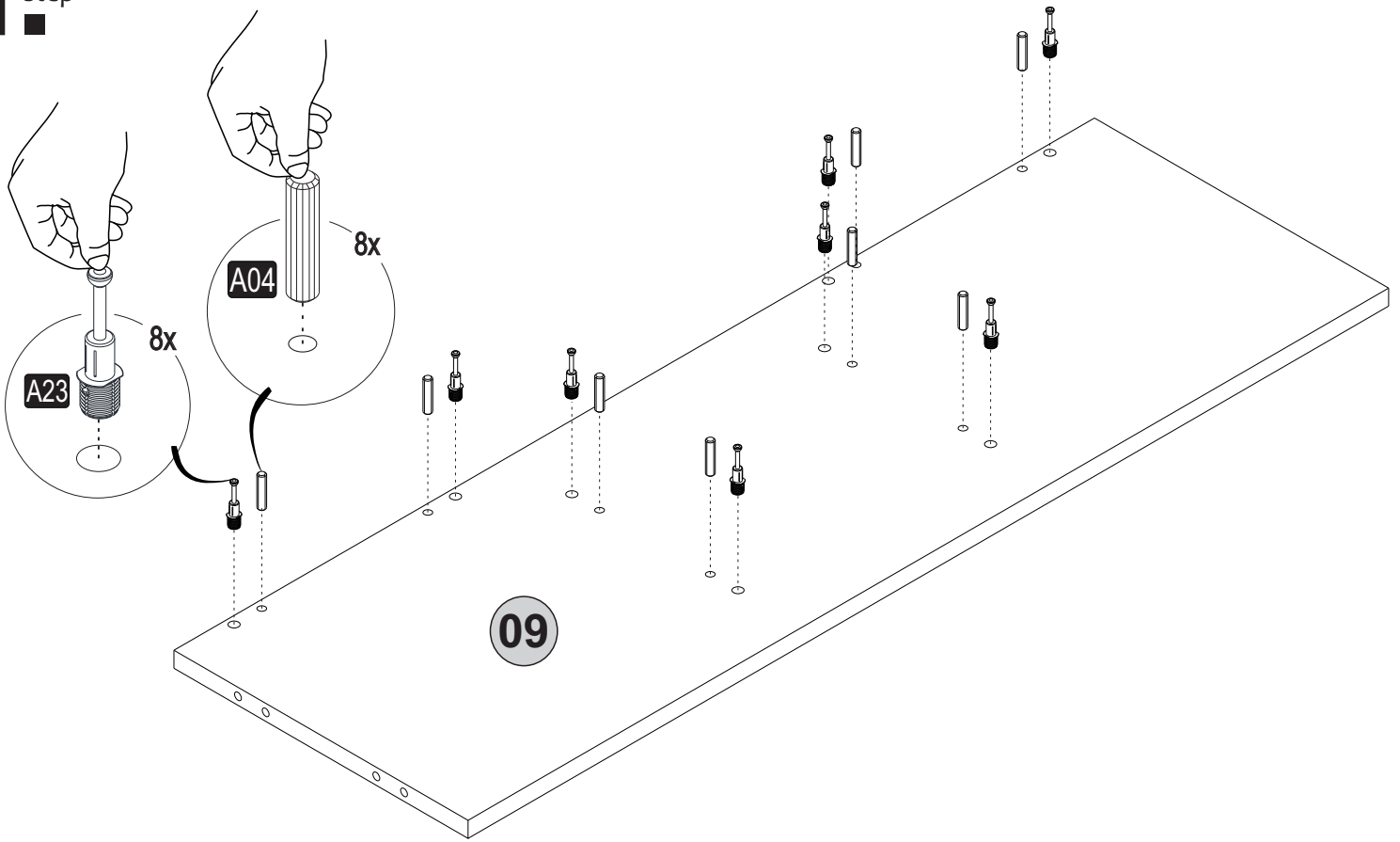
i GP037-0045,1



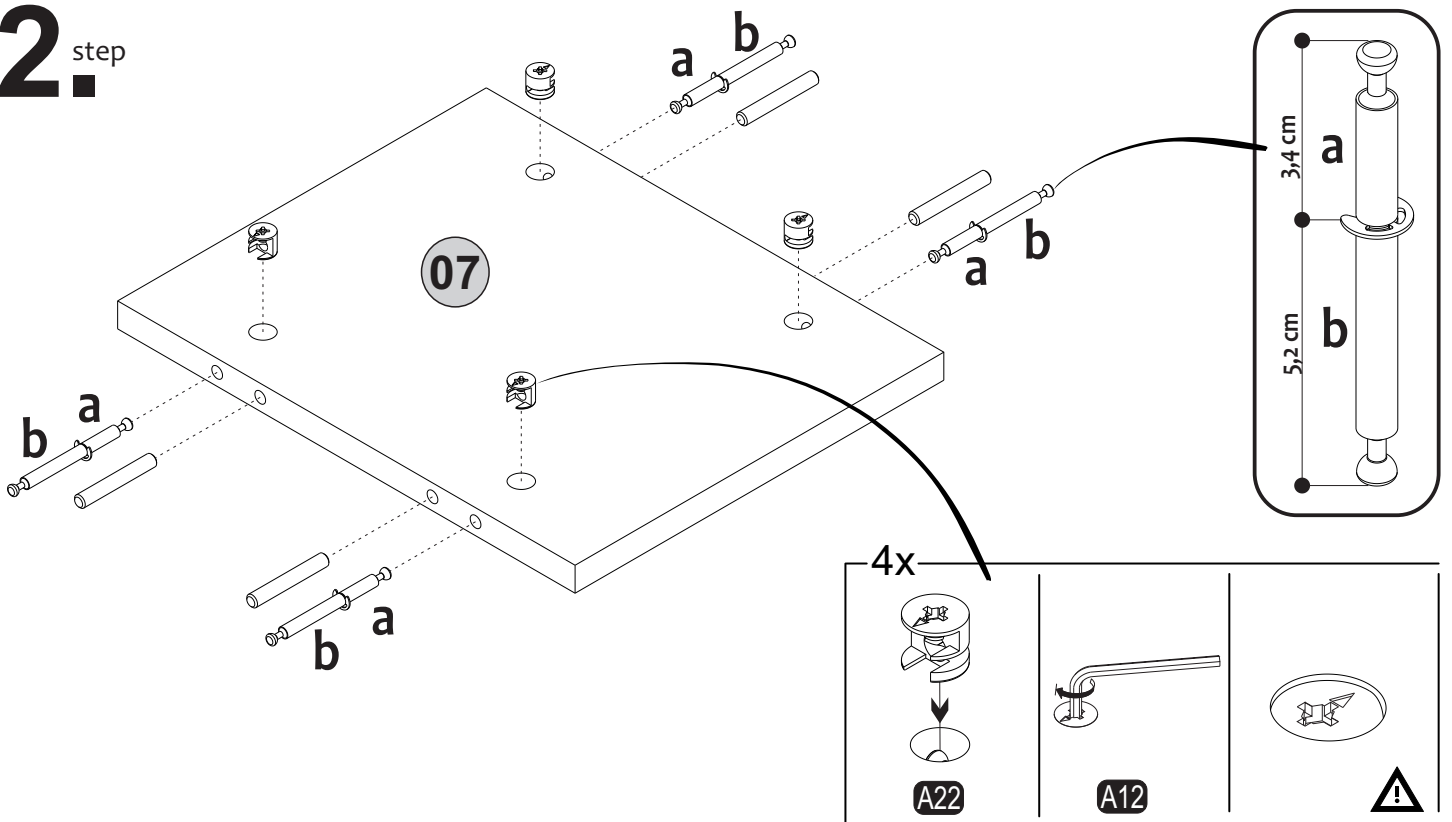
A22 Minifix k18  38x	A23 Minifix M10  30x	A04 Ø8  34x	A14 DFM6-86  4x	A41 Ø8x55  4x
A12 Allen  1x	C01 DM  4x	C04 Mtk  4x	A18 3,5x18  16x	A08 5mm  6x
	Matress 1060x340x50  1x		A06 18mm  C1-38x	Y03 Ctpb  6x



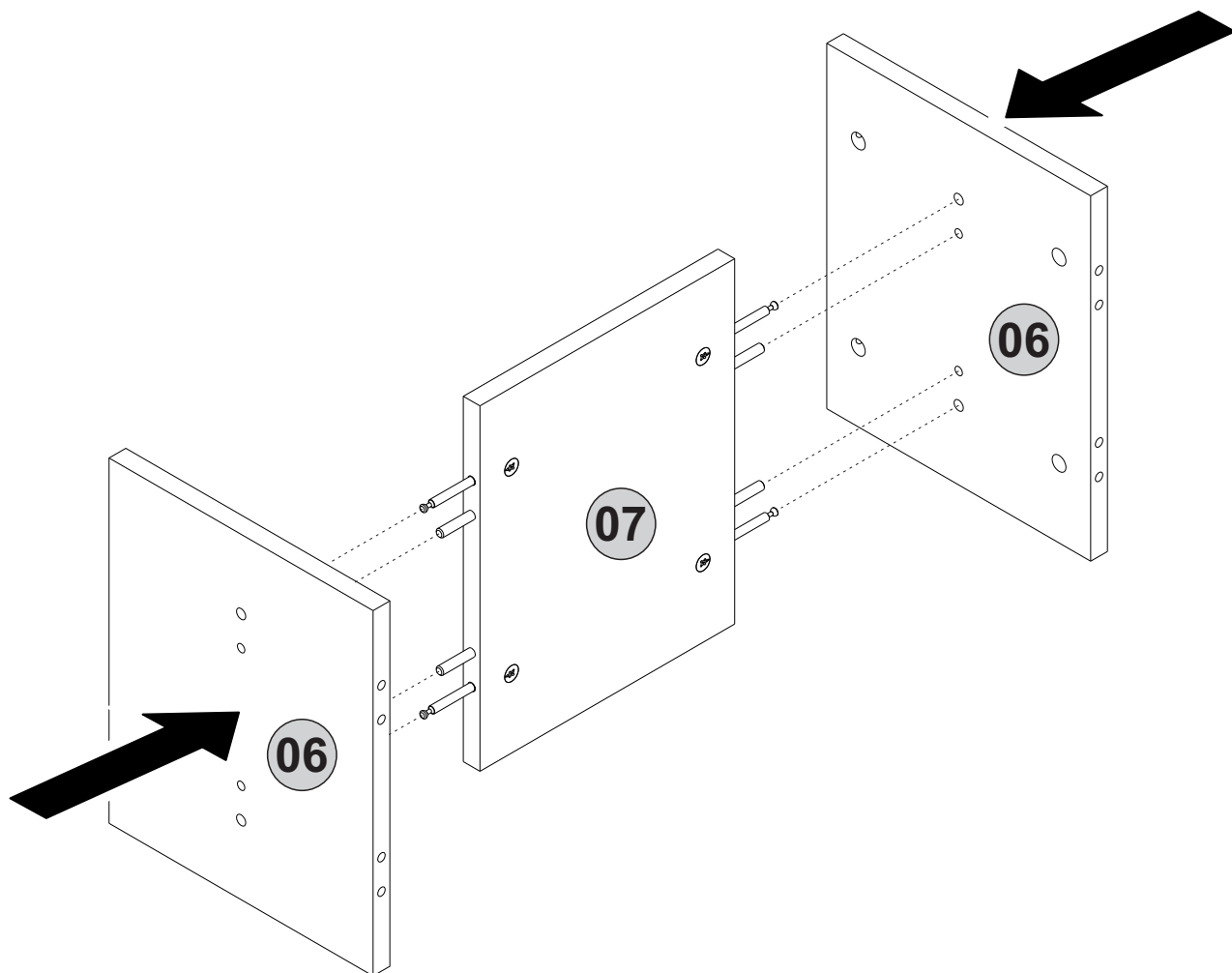
1. step



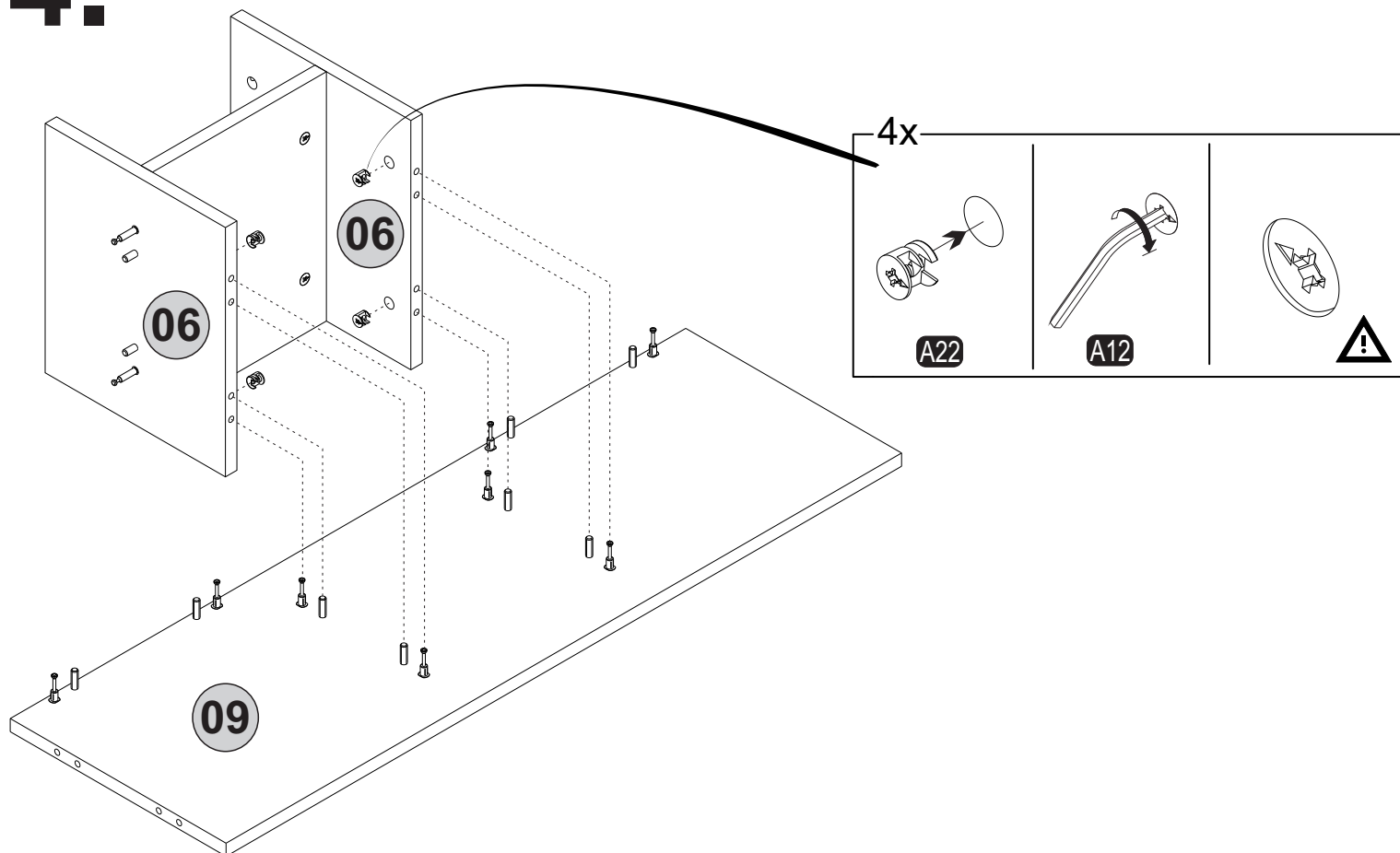
2. step



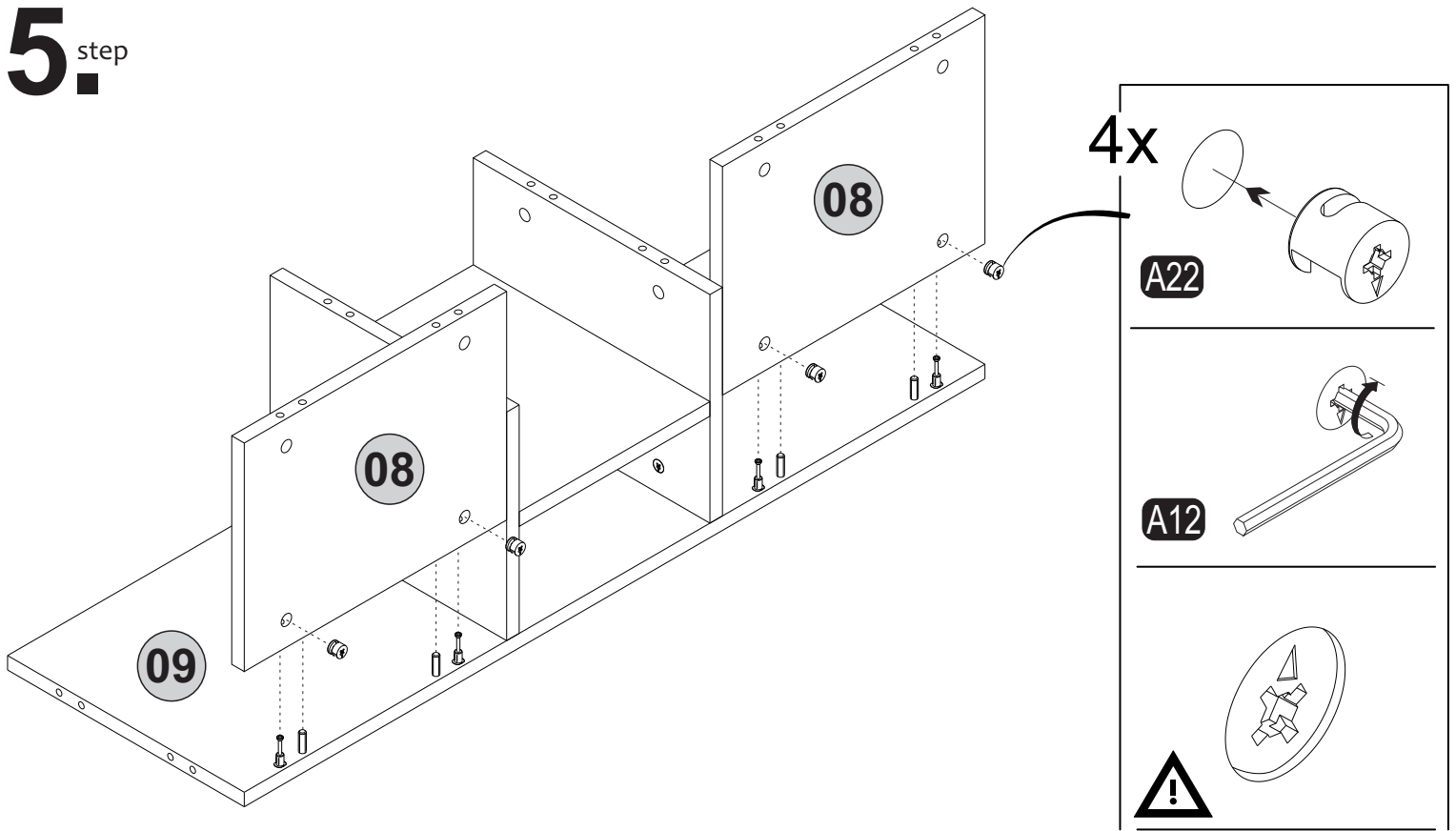
3. step



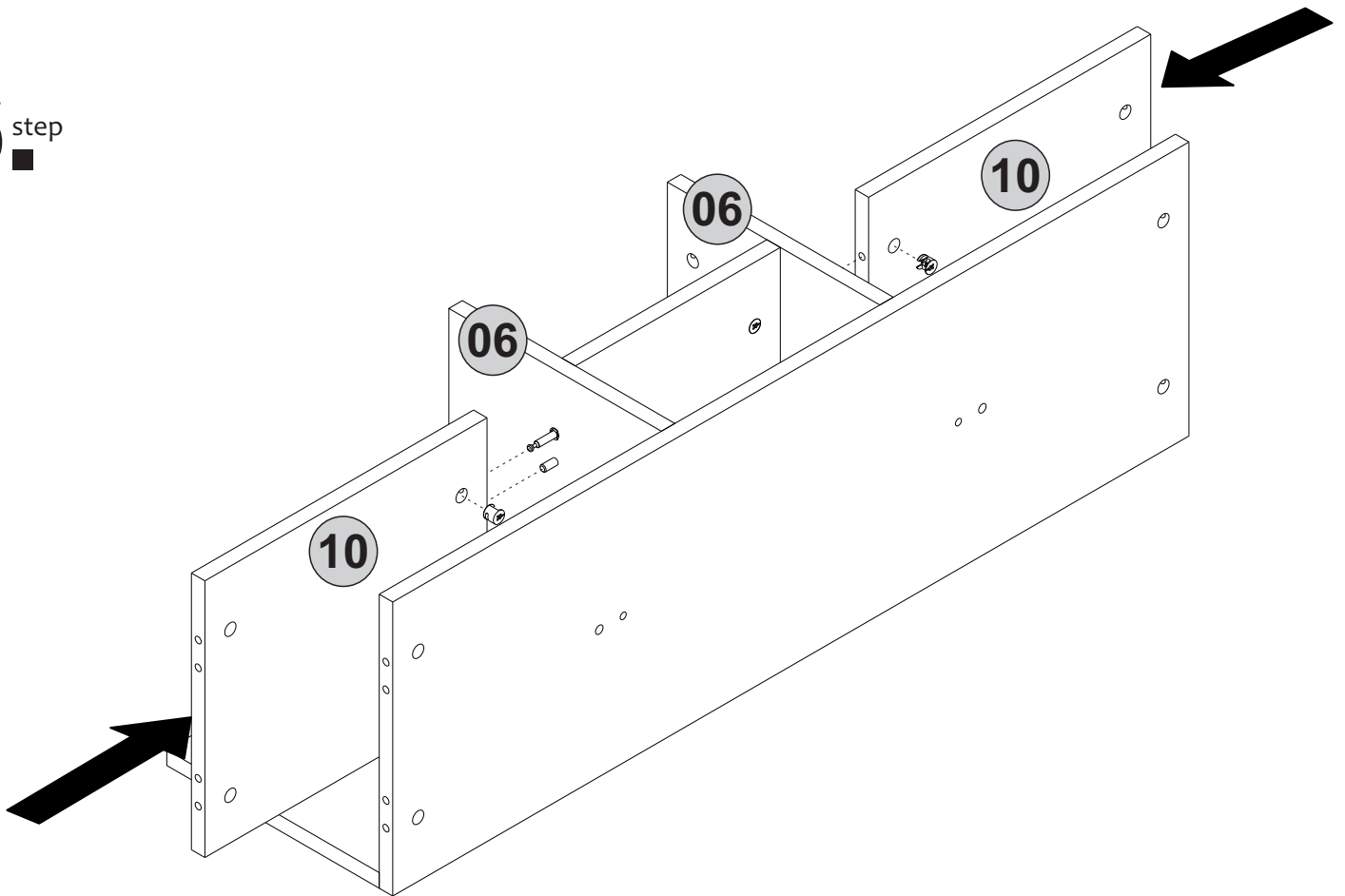
4. step



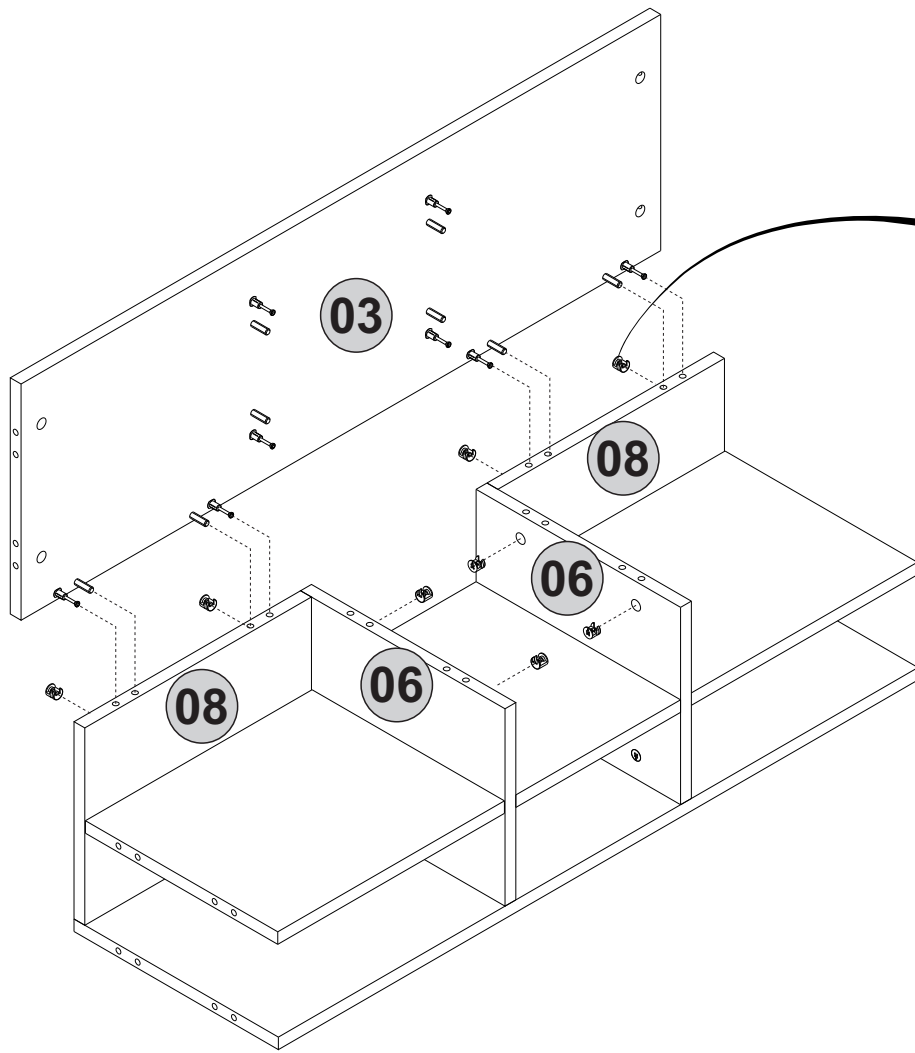
5^{step}



6^{step}



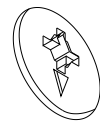
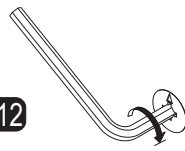
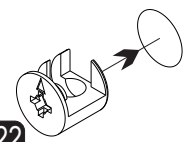
7. step



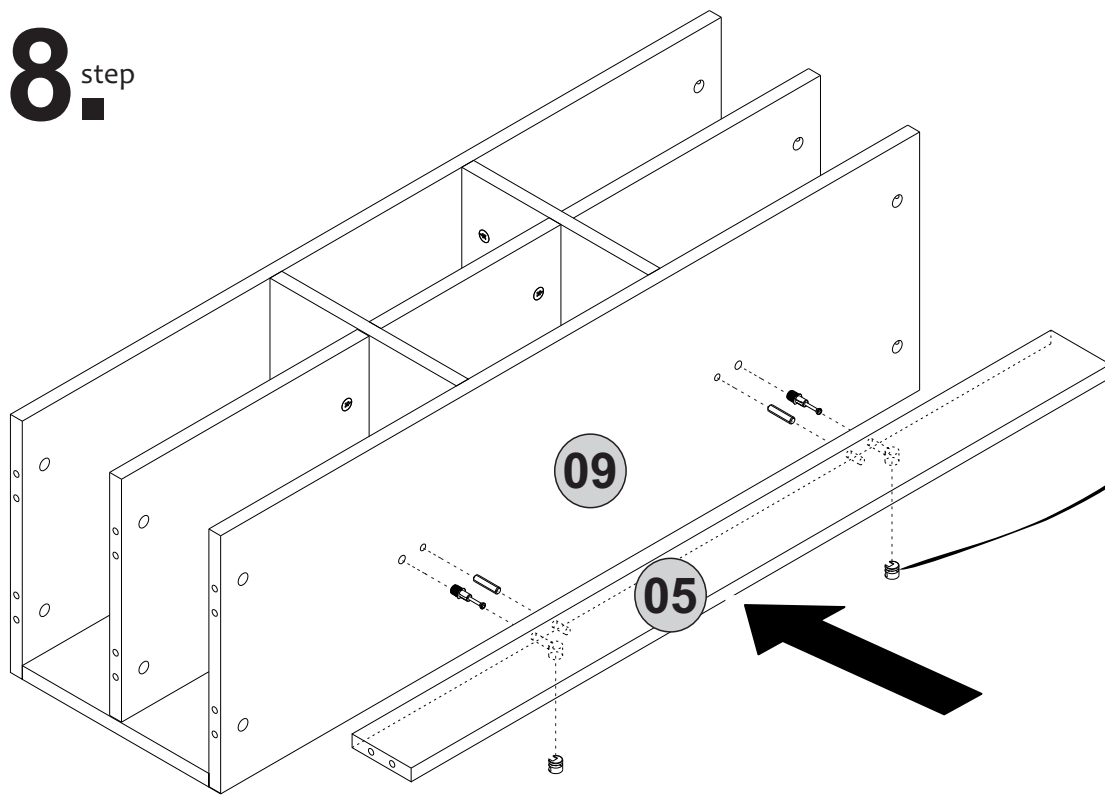
8x

A22

A12



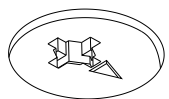
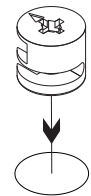
8. step



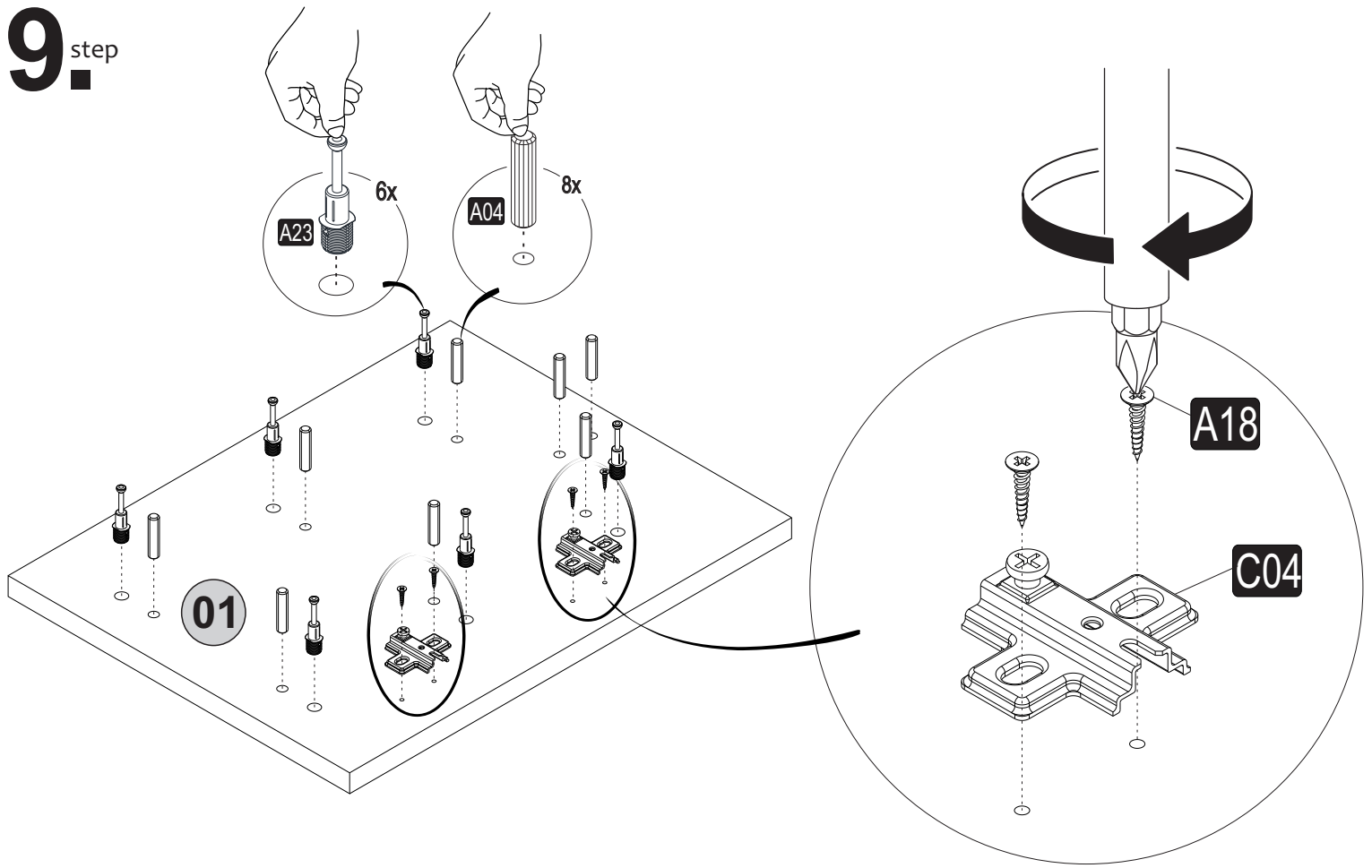
2x

A22

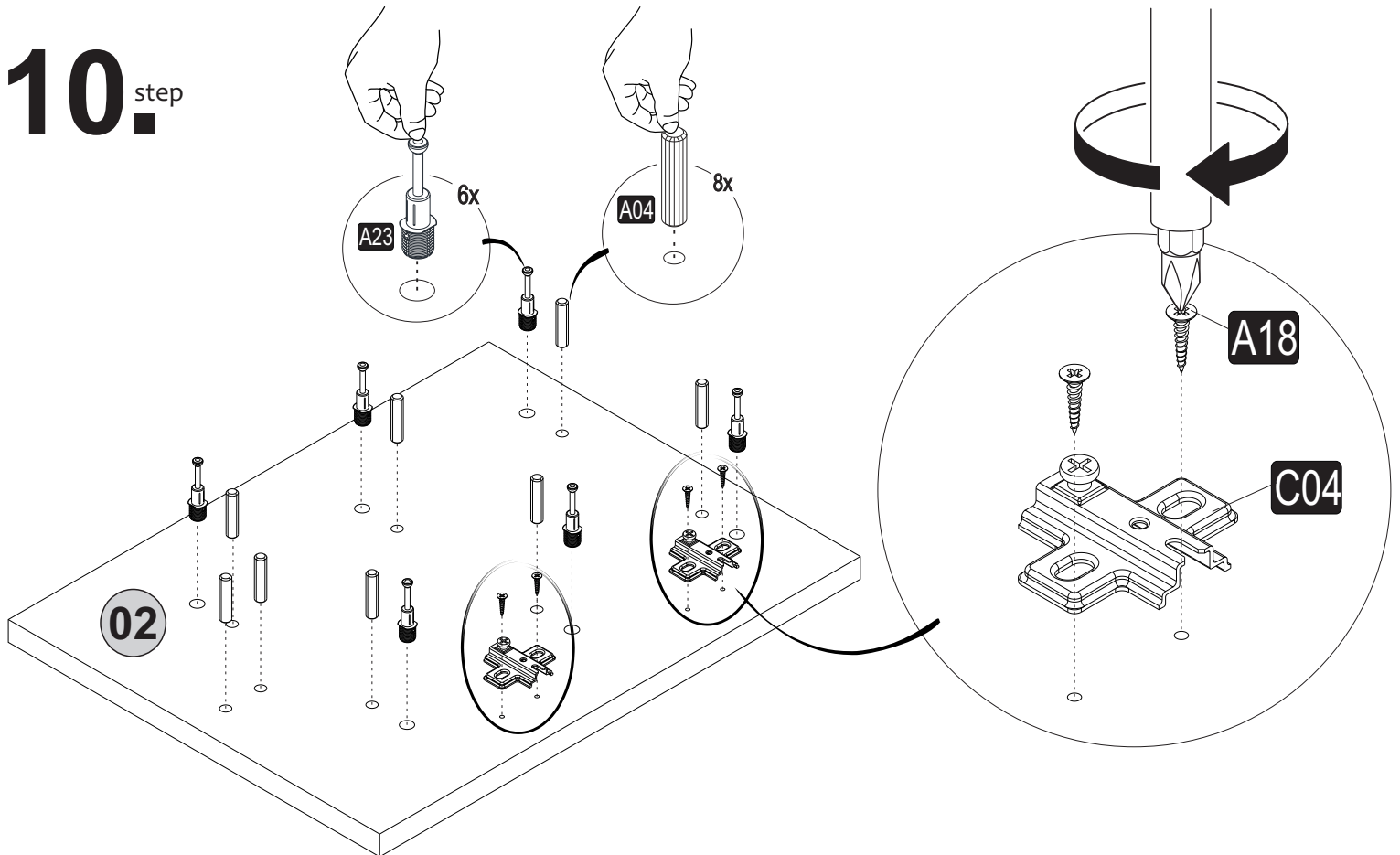
A12



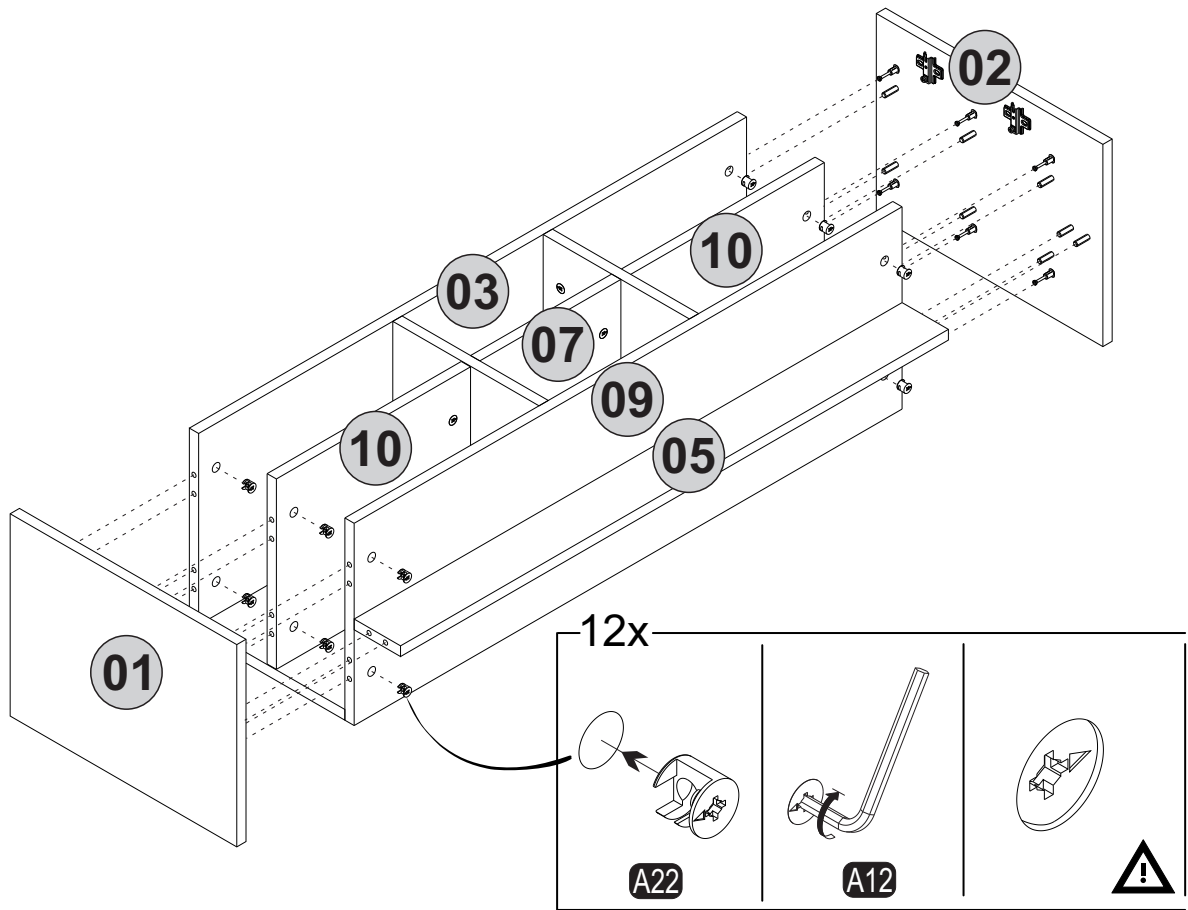
9. step



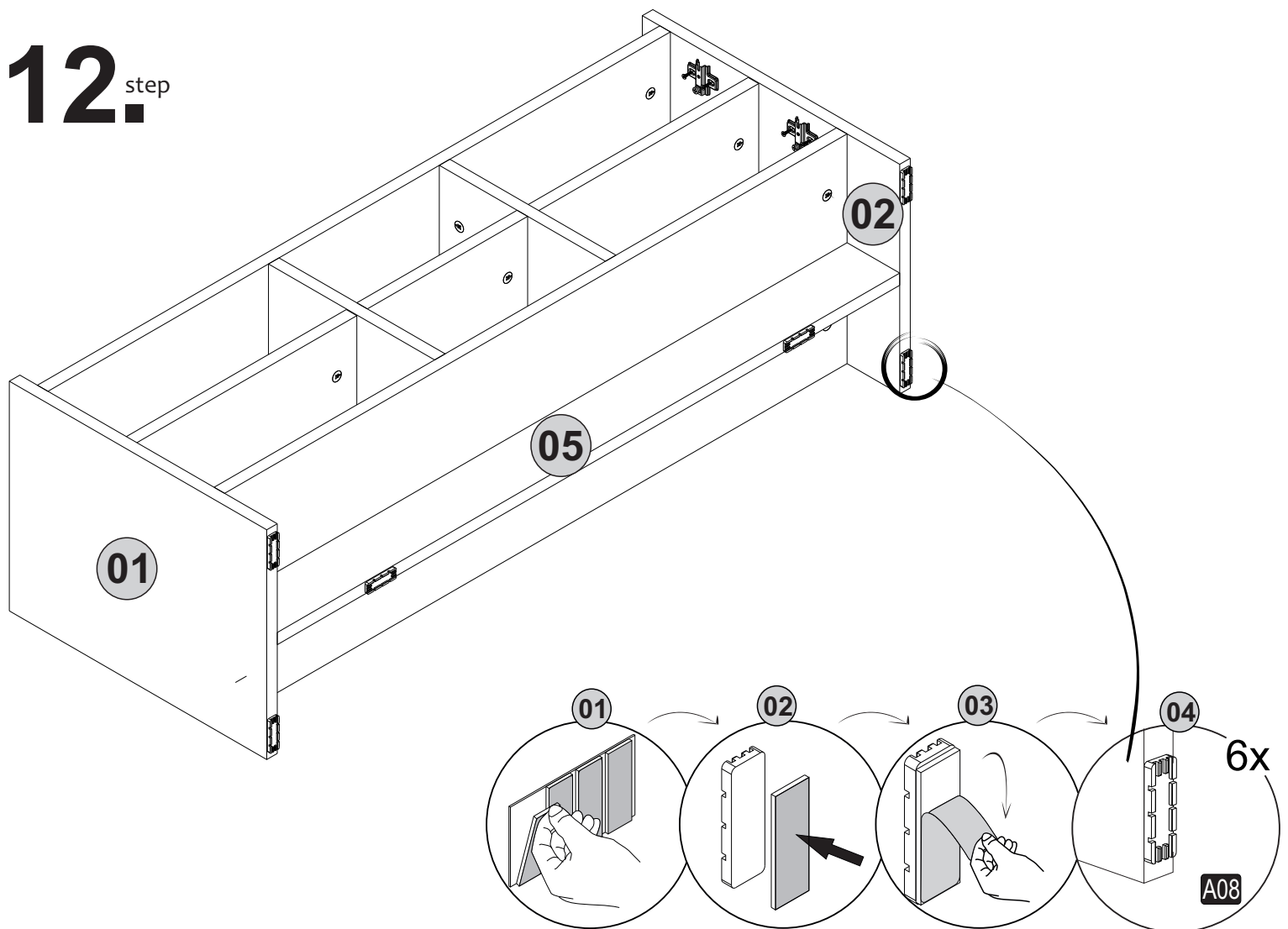
10. step



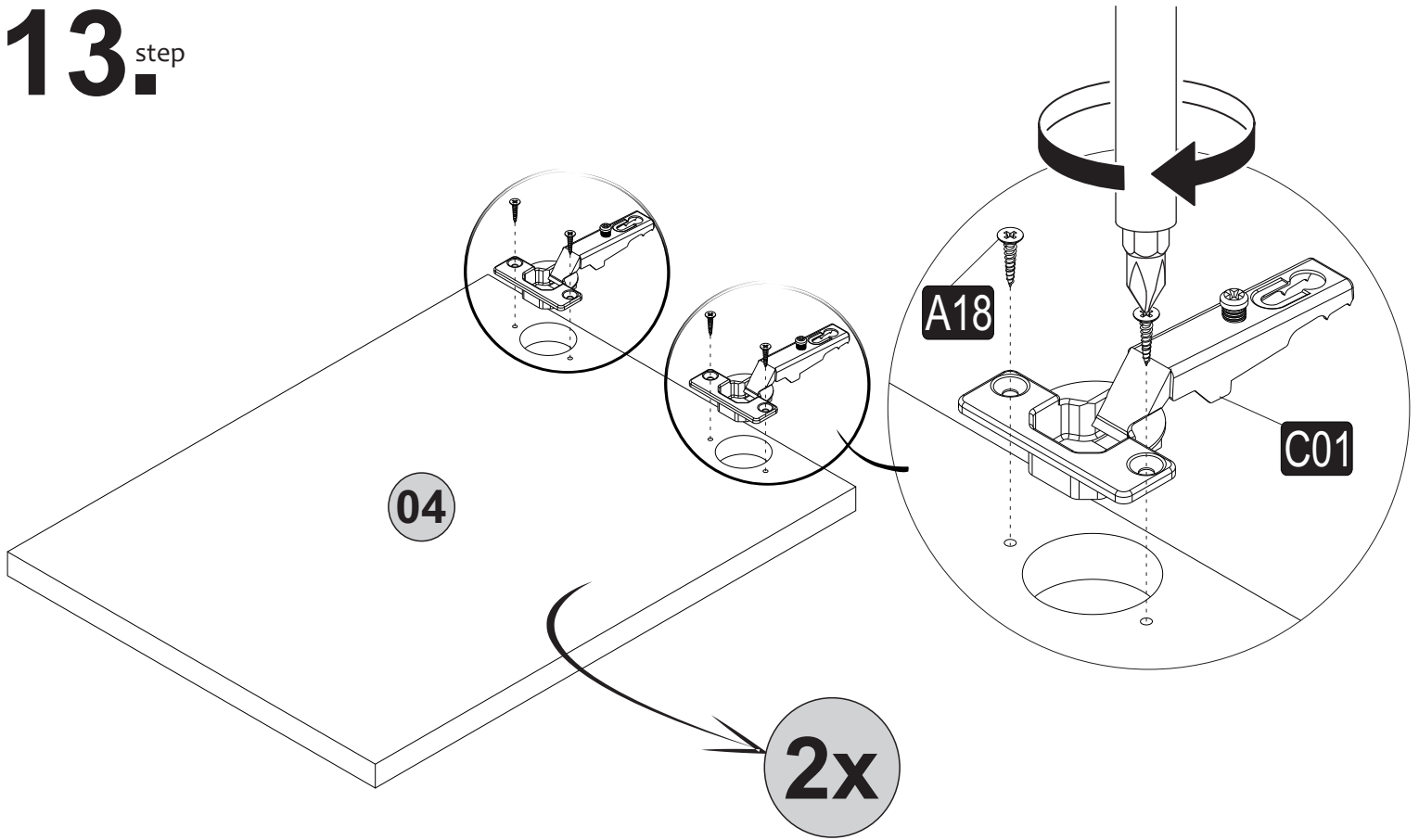
11.^{step}



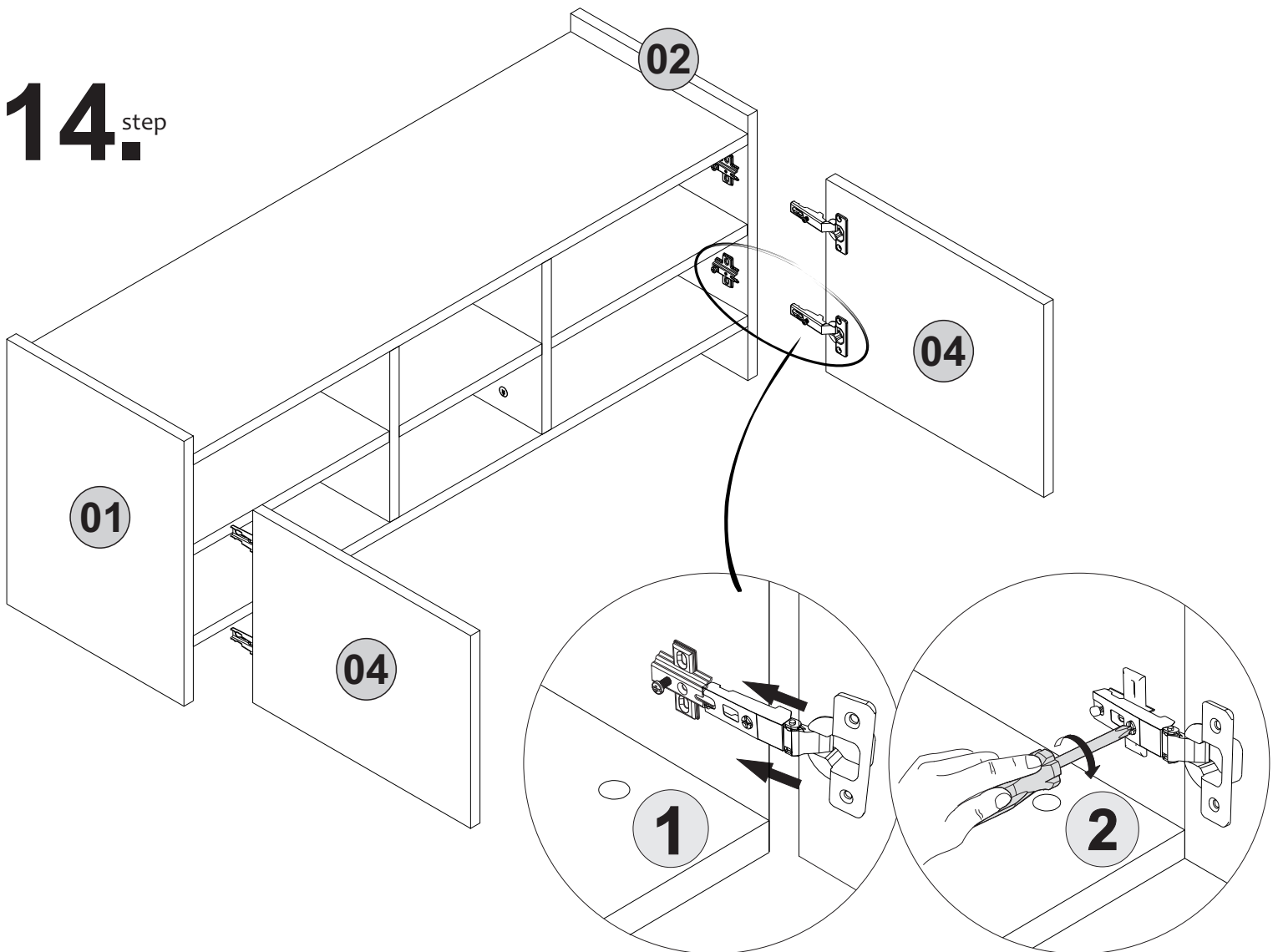
12.^{step}



13.^{step}



14.^{step}



15.^{step}

