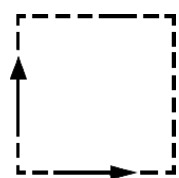


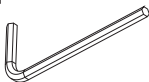



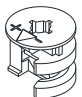
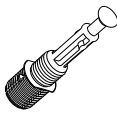
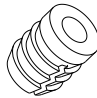
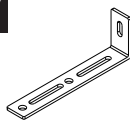

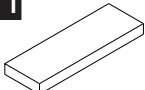


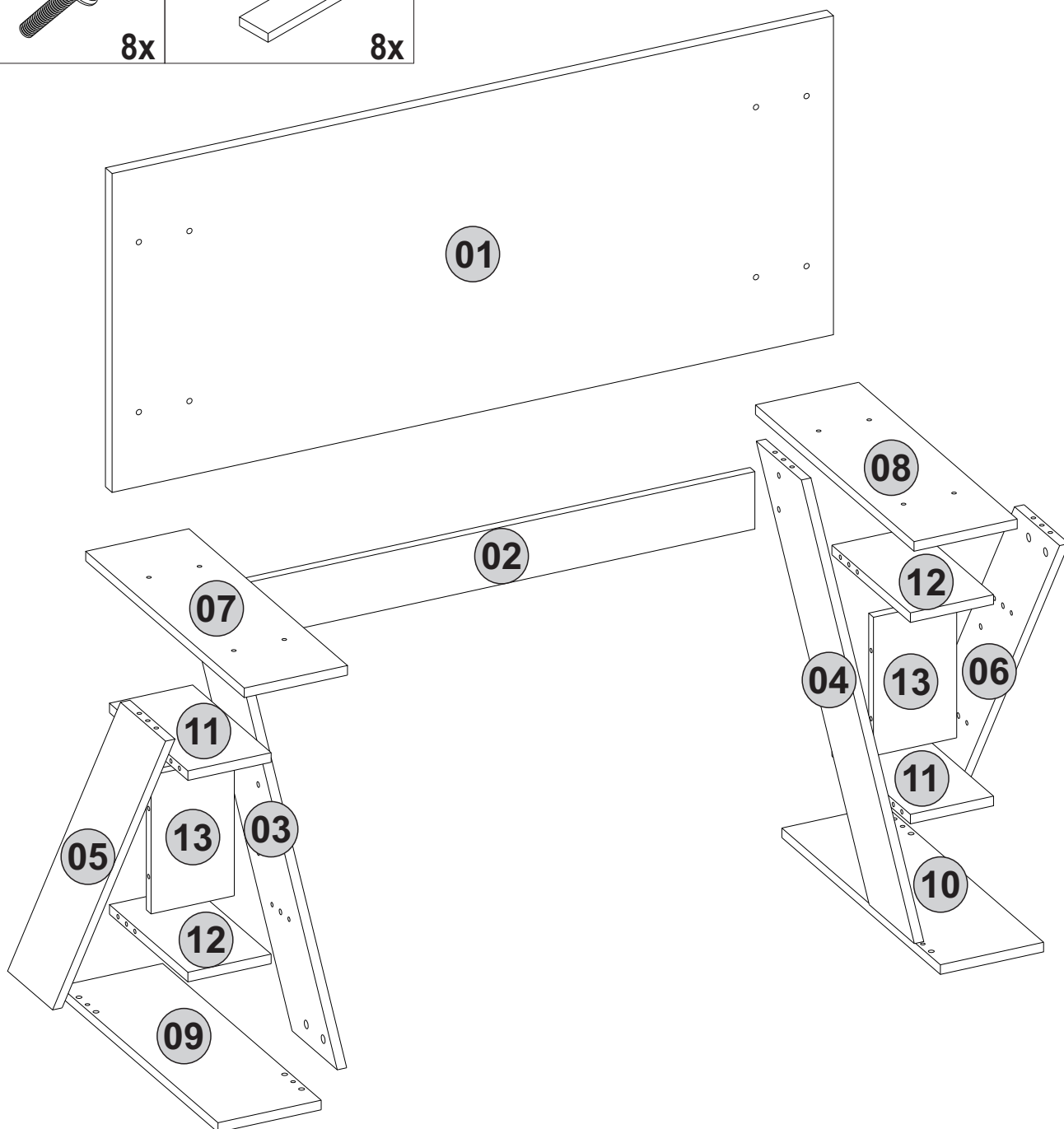
**i** GP037-0290,1



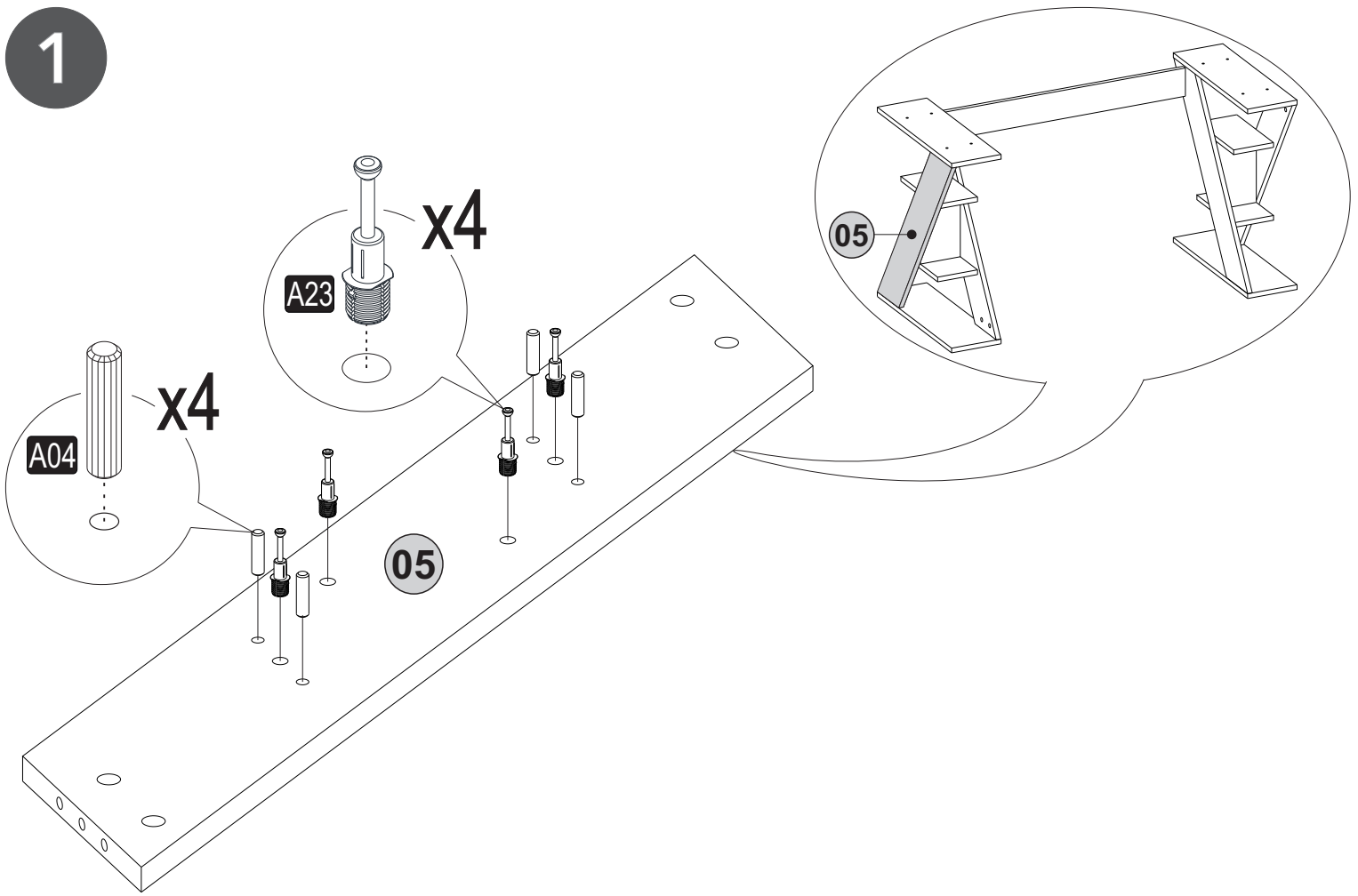
106 x 50 x 75cm

# HARDWARE LIST

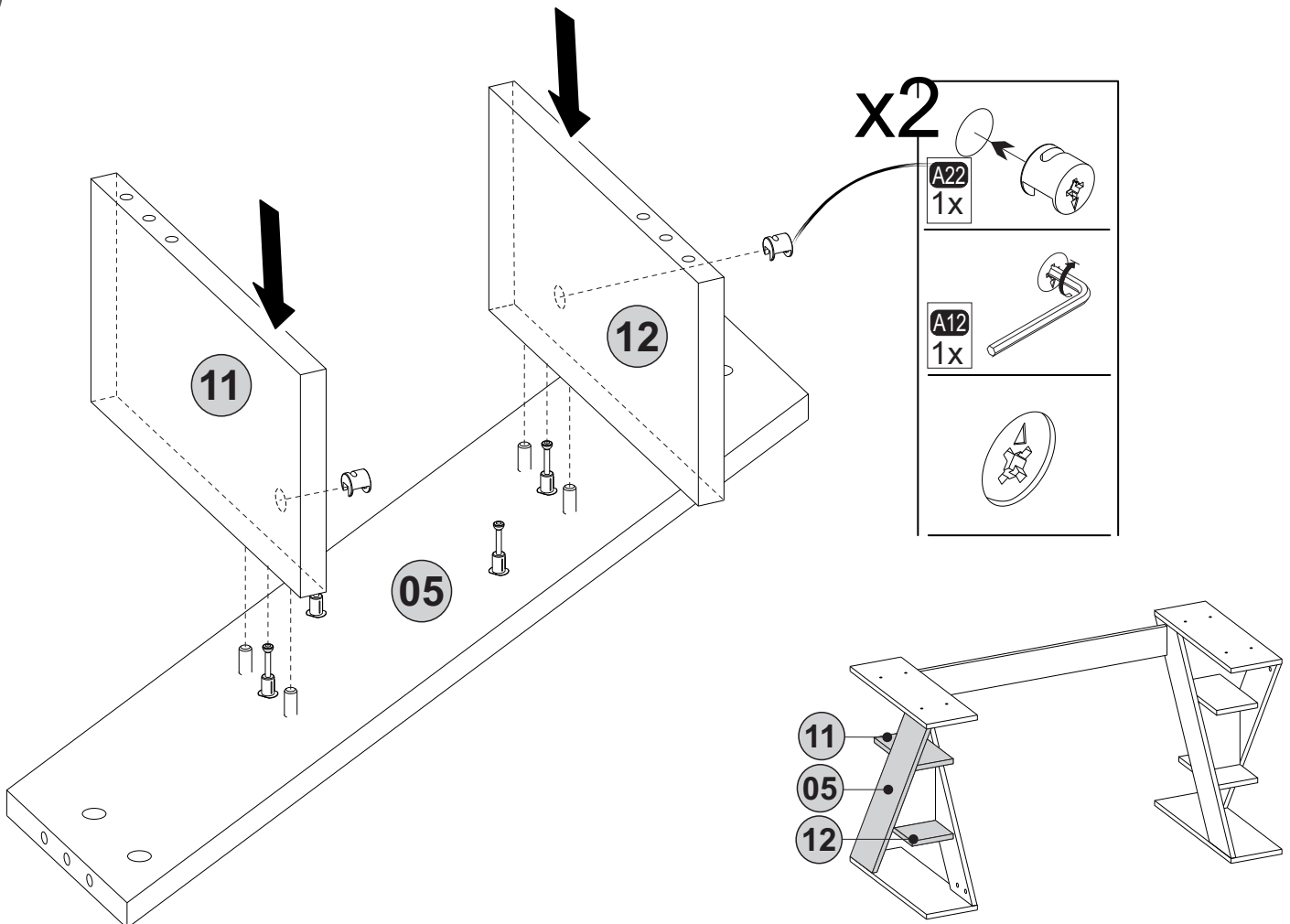
<b>A04</b>  24x	<b>A06</b>  18mm <b>C2-44x</b>	<b>A12</b>  Allen 1x	<b>A16</b>  DbØ8 2x	<b>A17</b>  4x50 2x
<b>A18</b>  3,5x18 4x	<b>A22</b>  Minifix k18 36x	<b>A23</b>  Minifix M10 36x	<b>A69</b>  P.D. 8x	<b>A87</b>  15x90x30 2x
<b>B03</b>  25 mm 8x	<b>PB01</b>  Kece 8x			



1



2

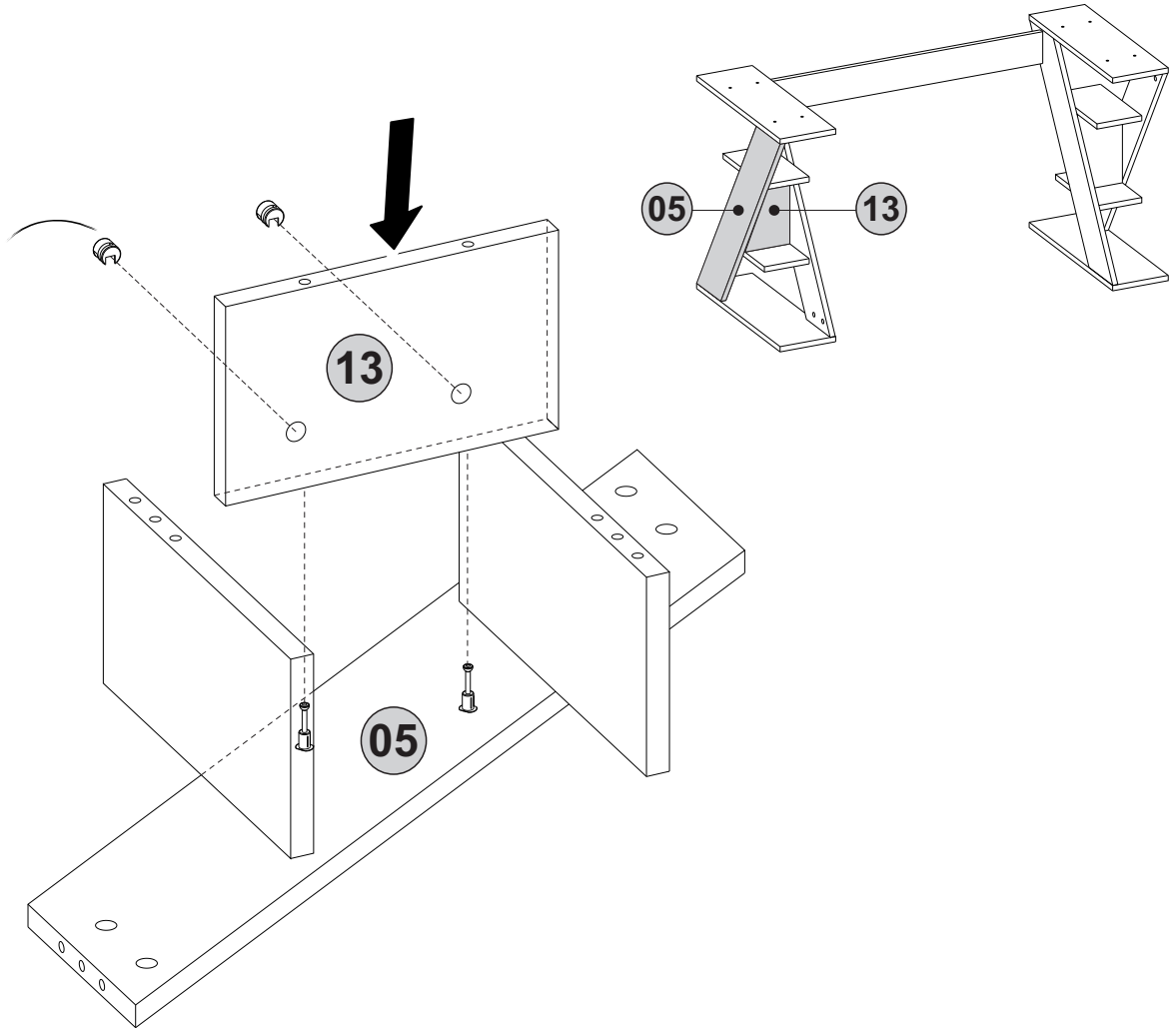


3

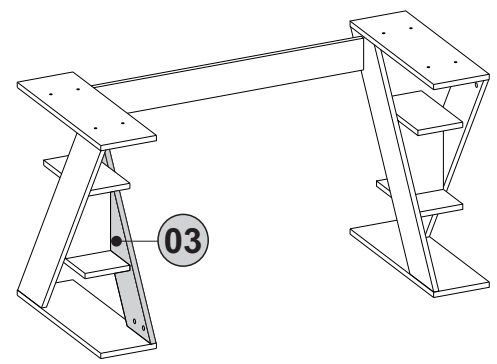
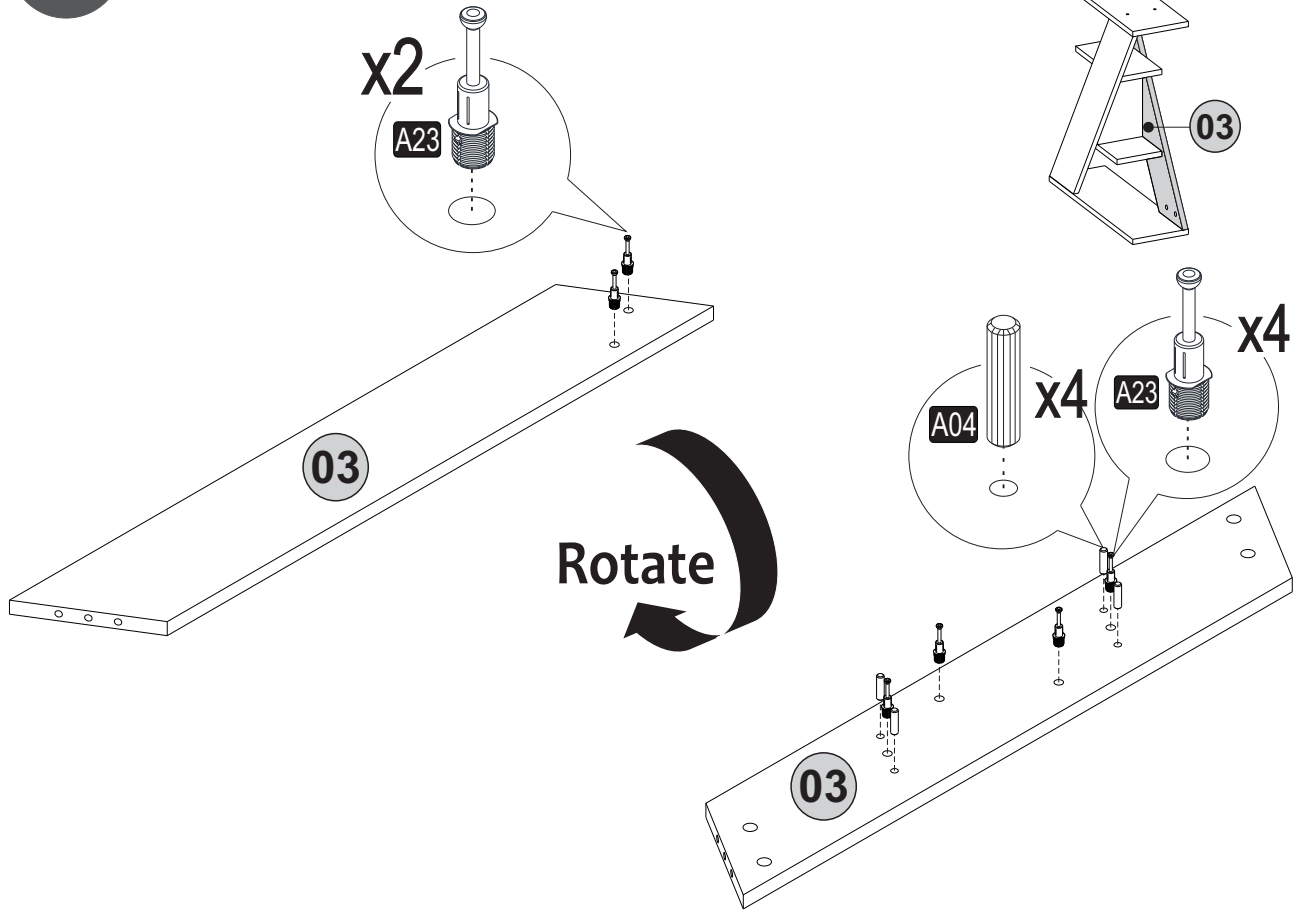
x2

A22  
1x

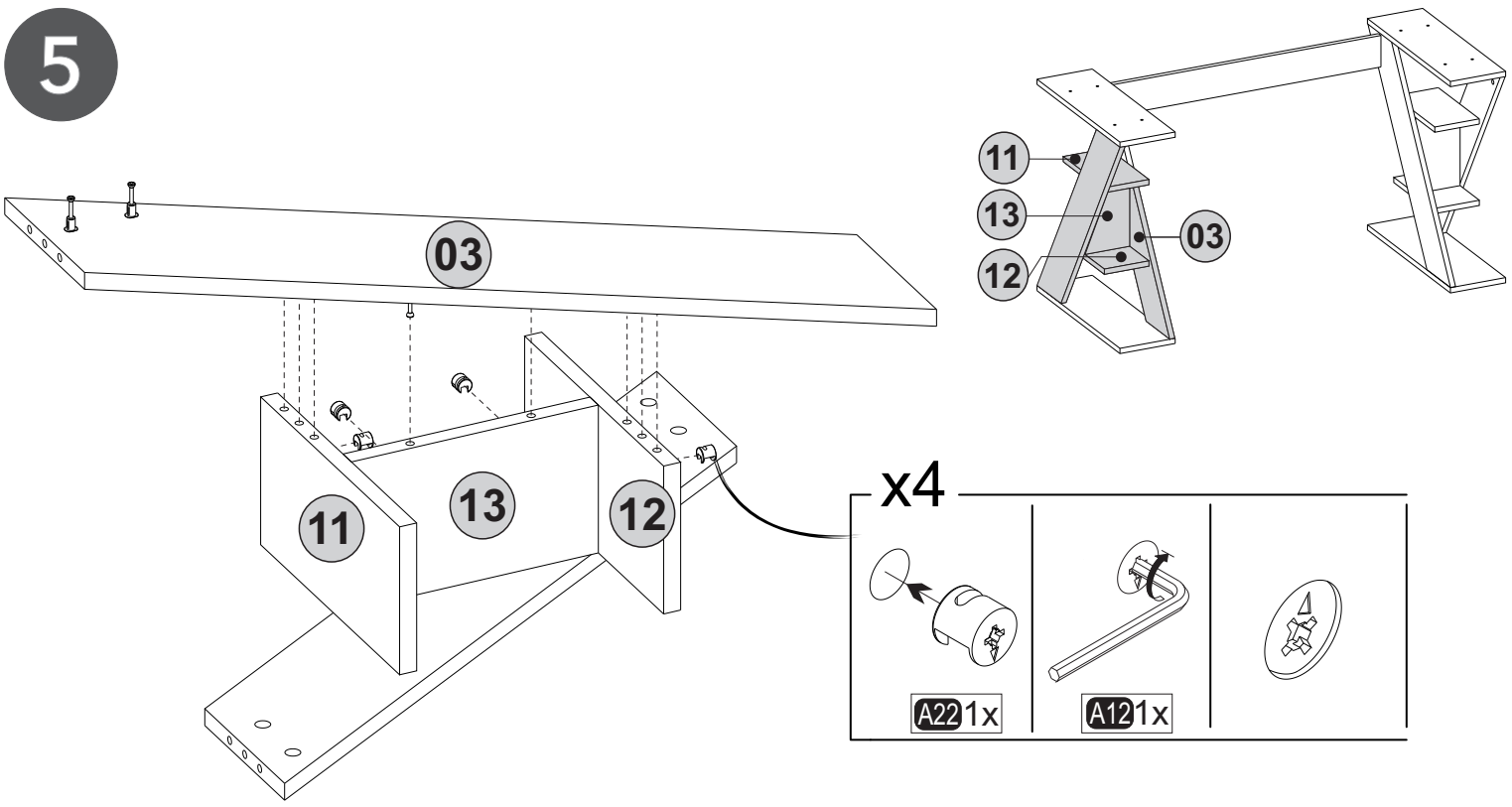
A12  
1x



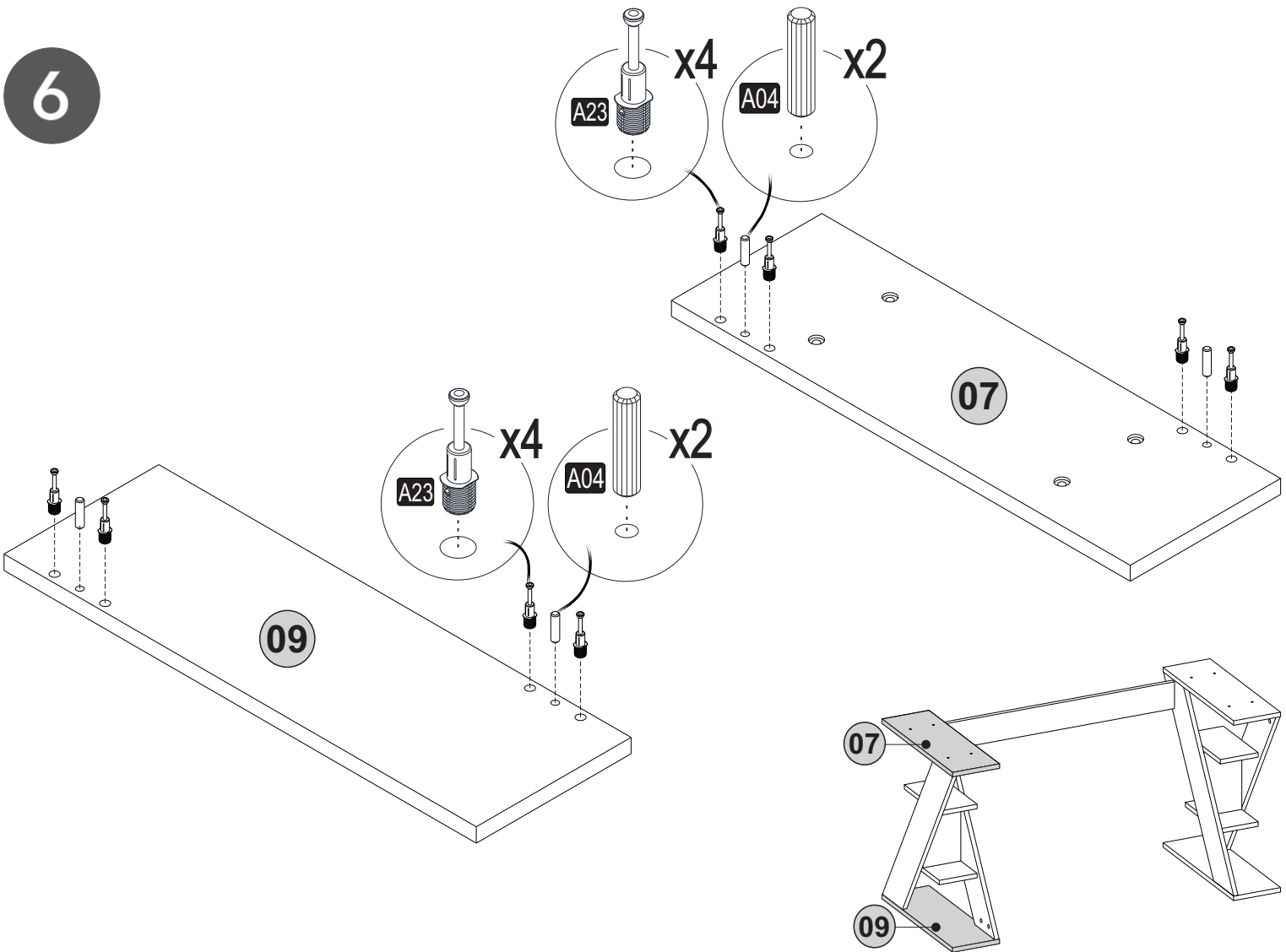
4



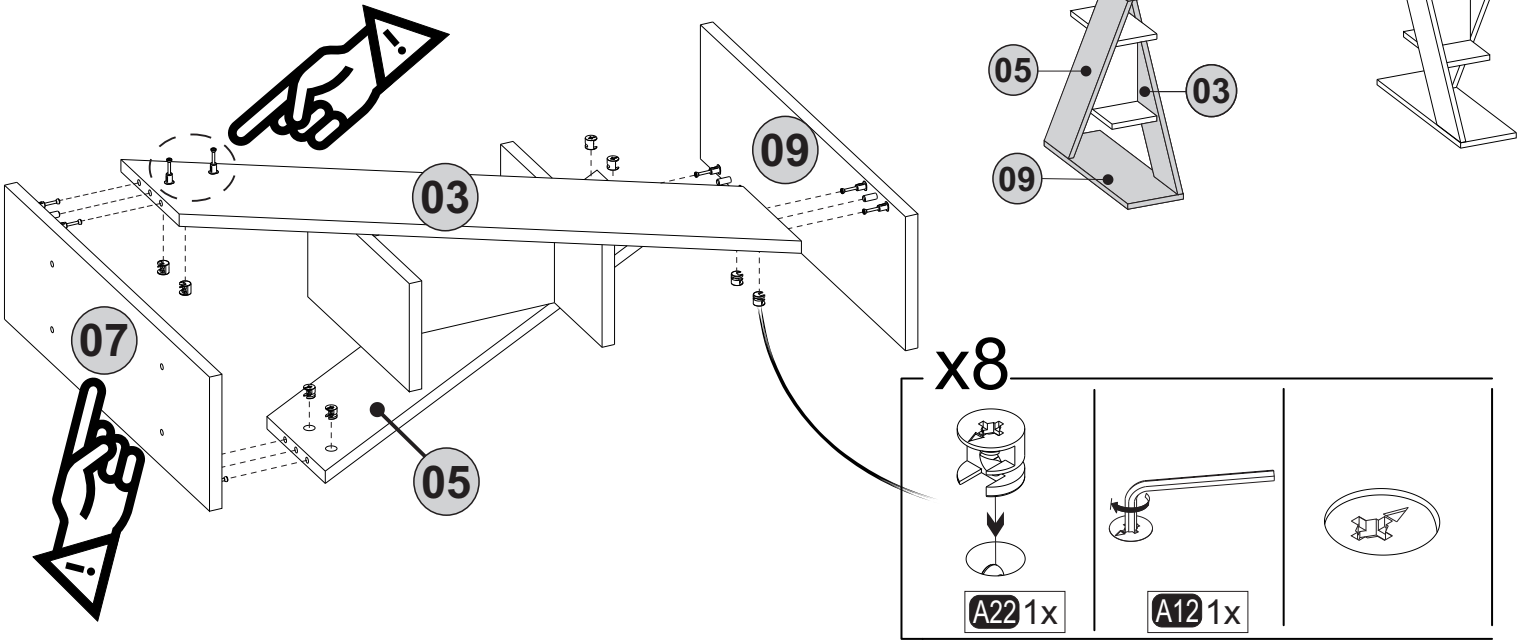
5



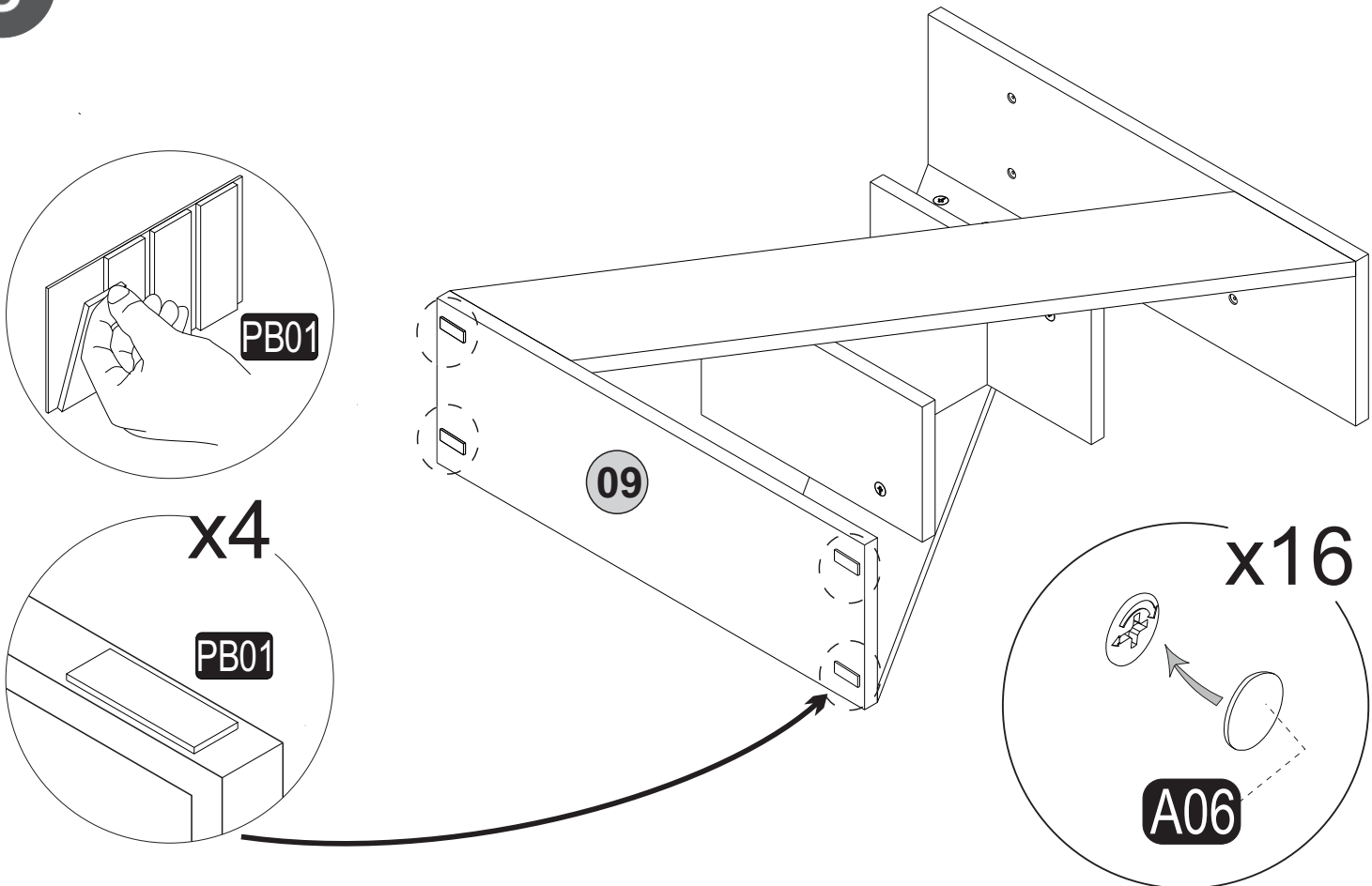
6



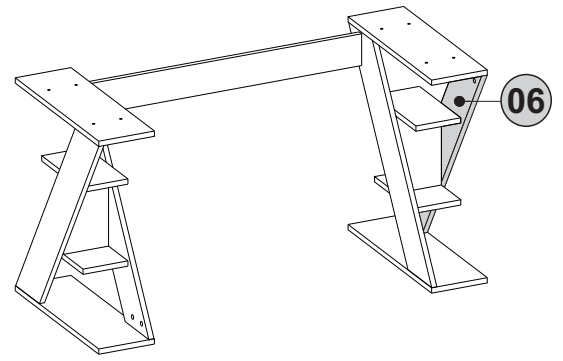
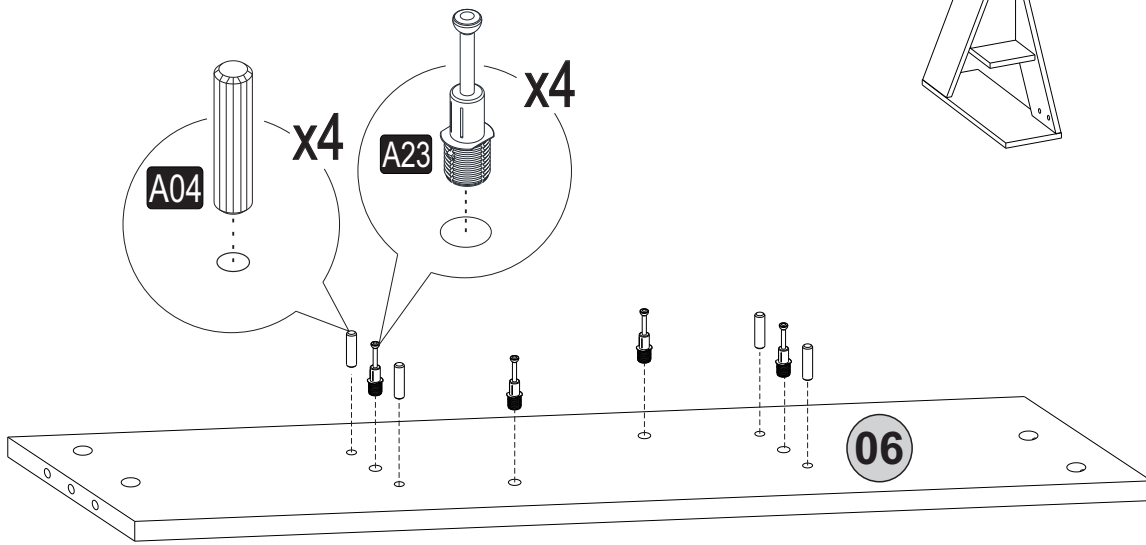
7



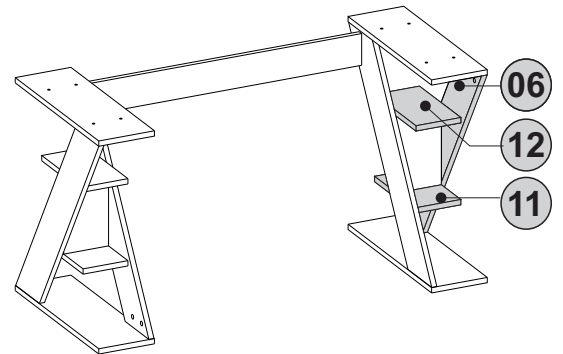
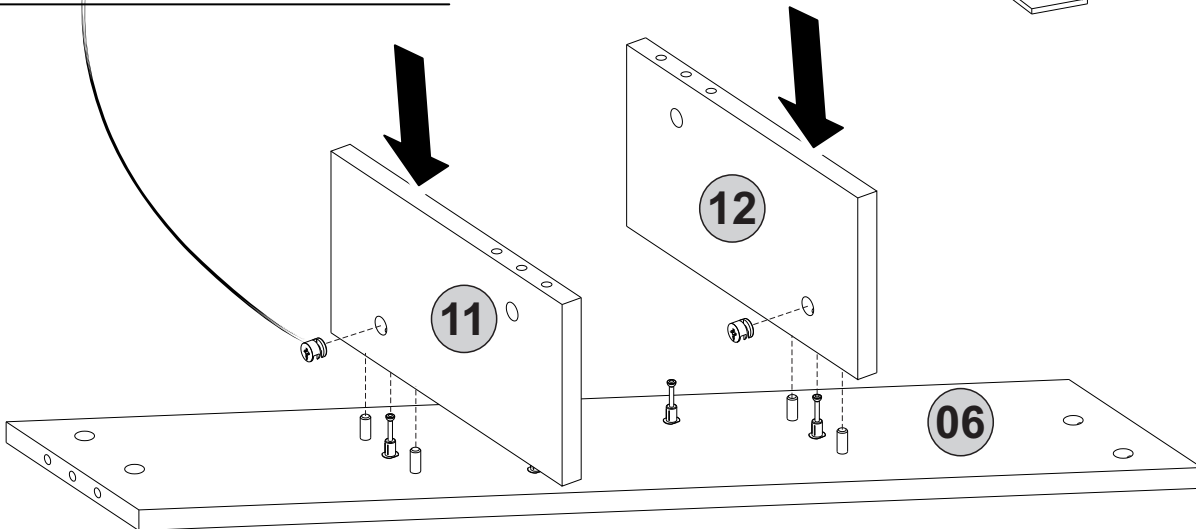
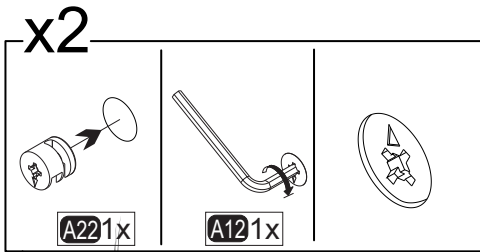
8



9

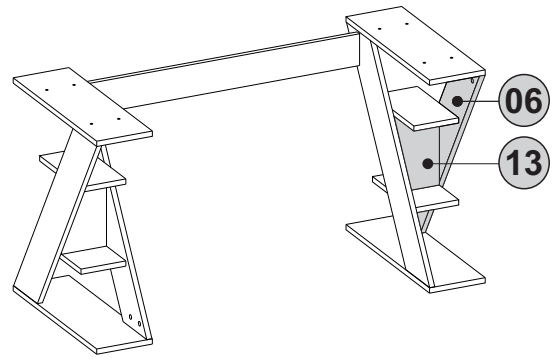
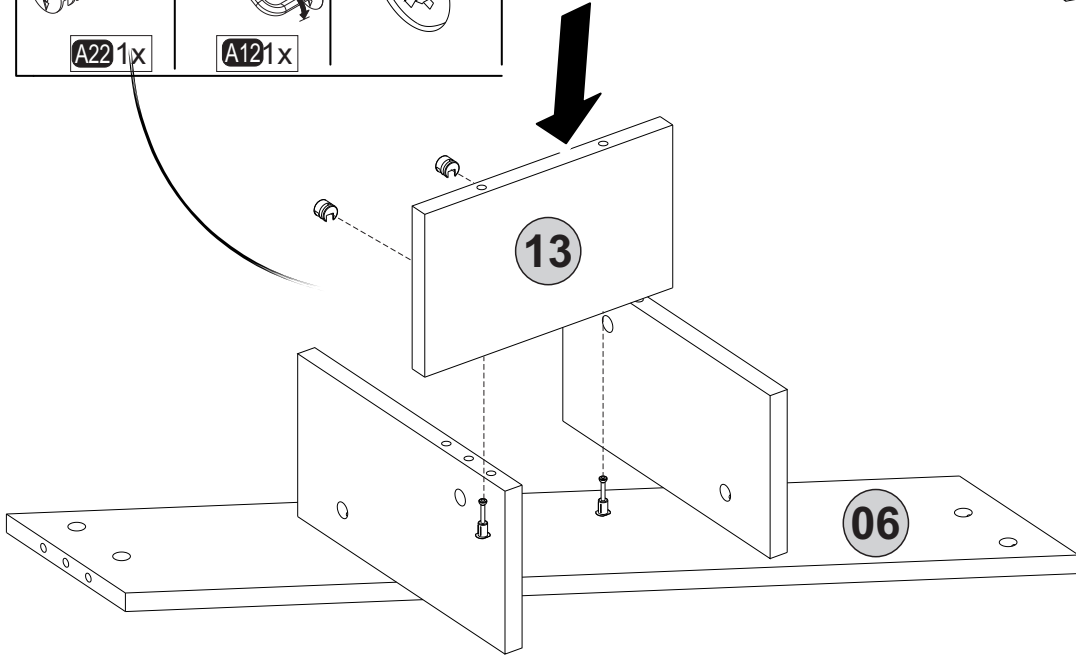
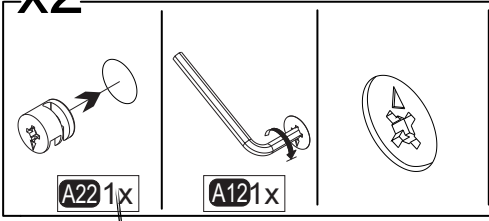


10



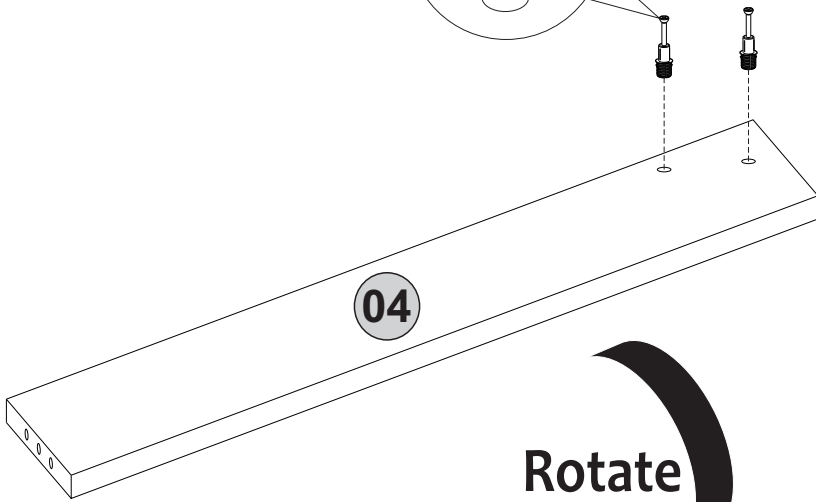
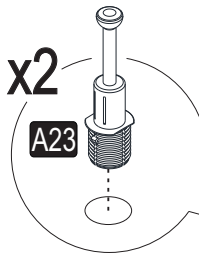
11

x2

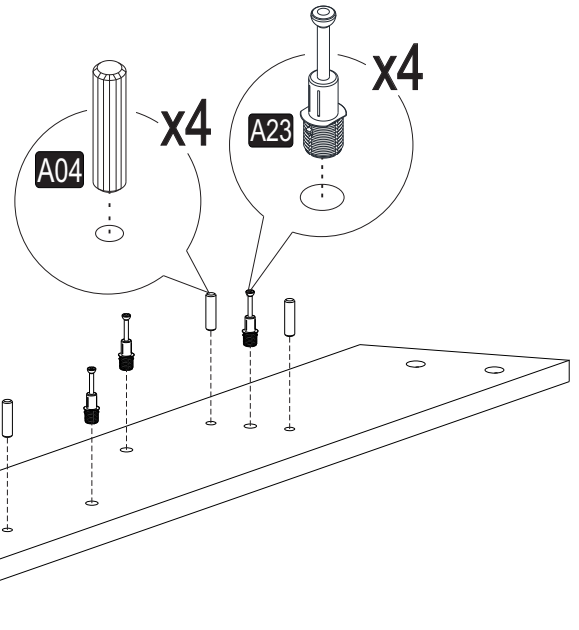
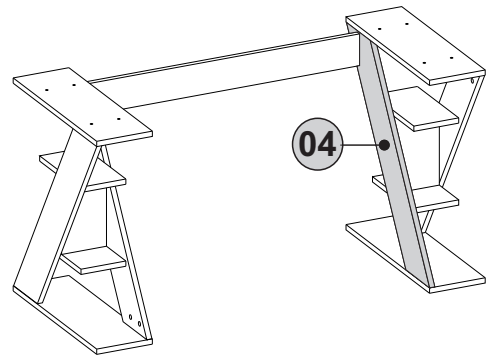


12

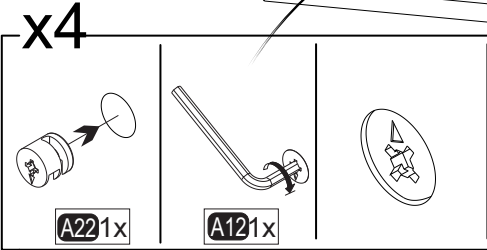
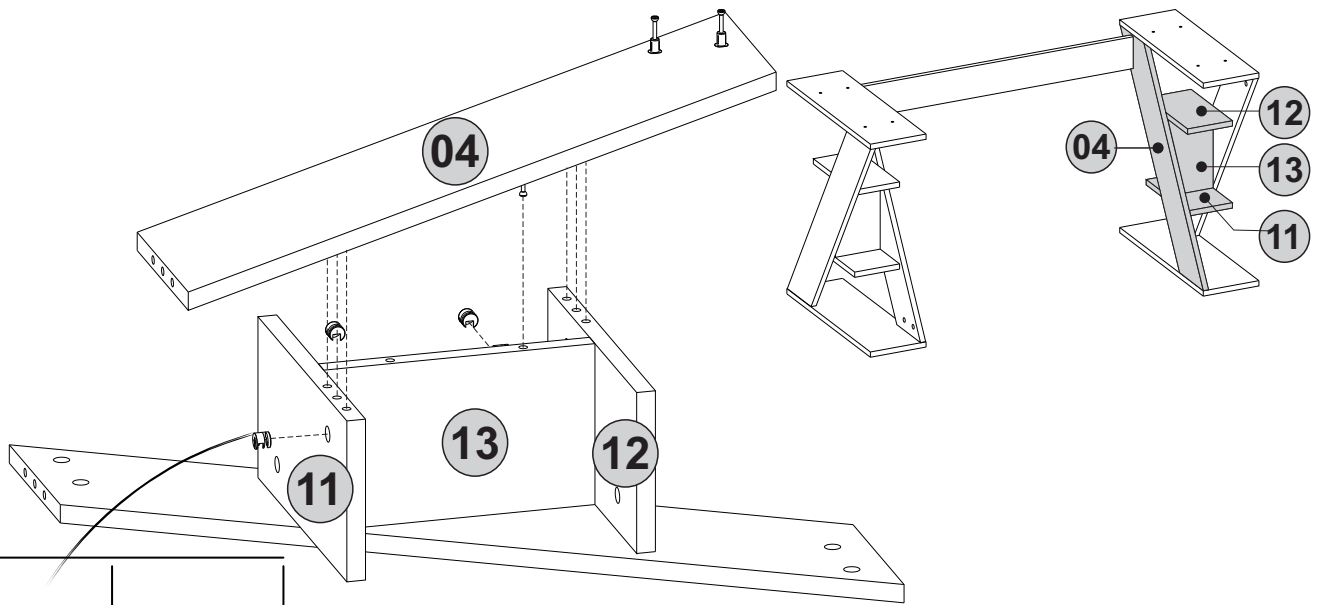
x2



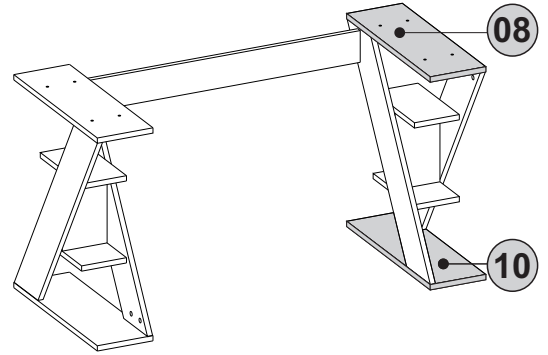
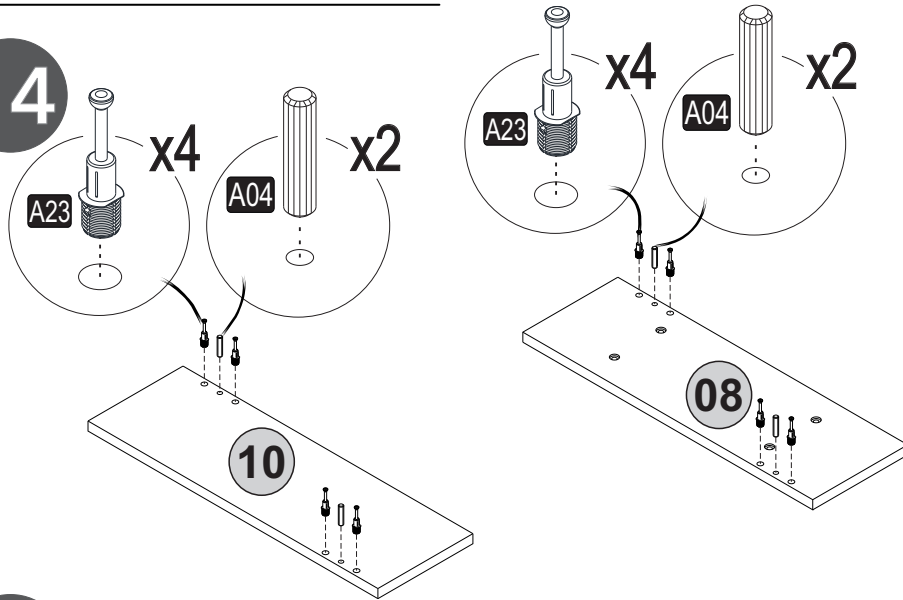
Rotate



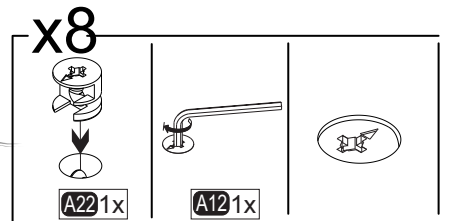
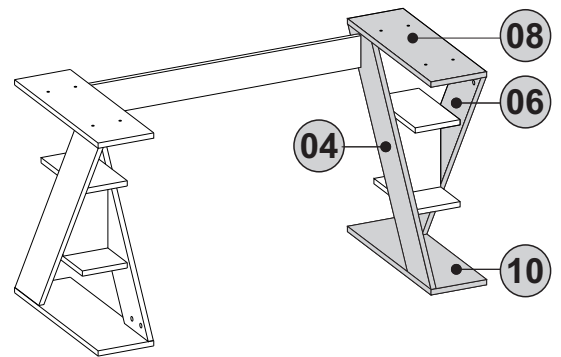
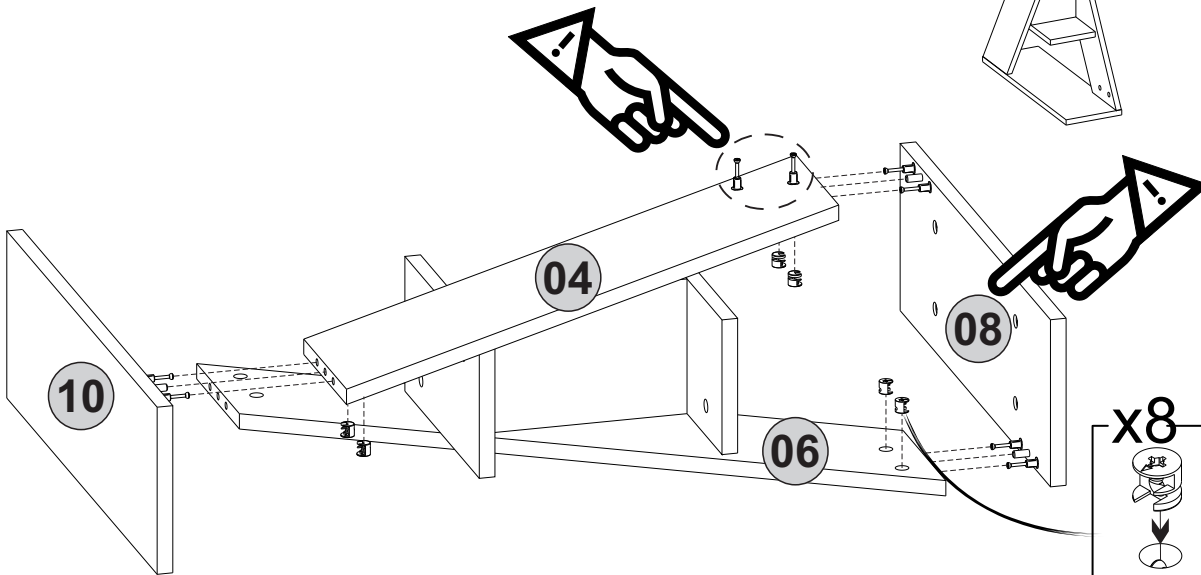
13



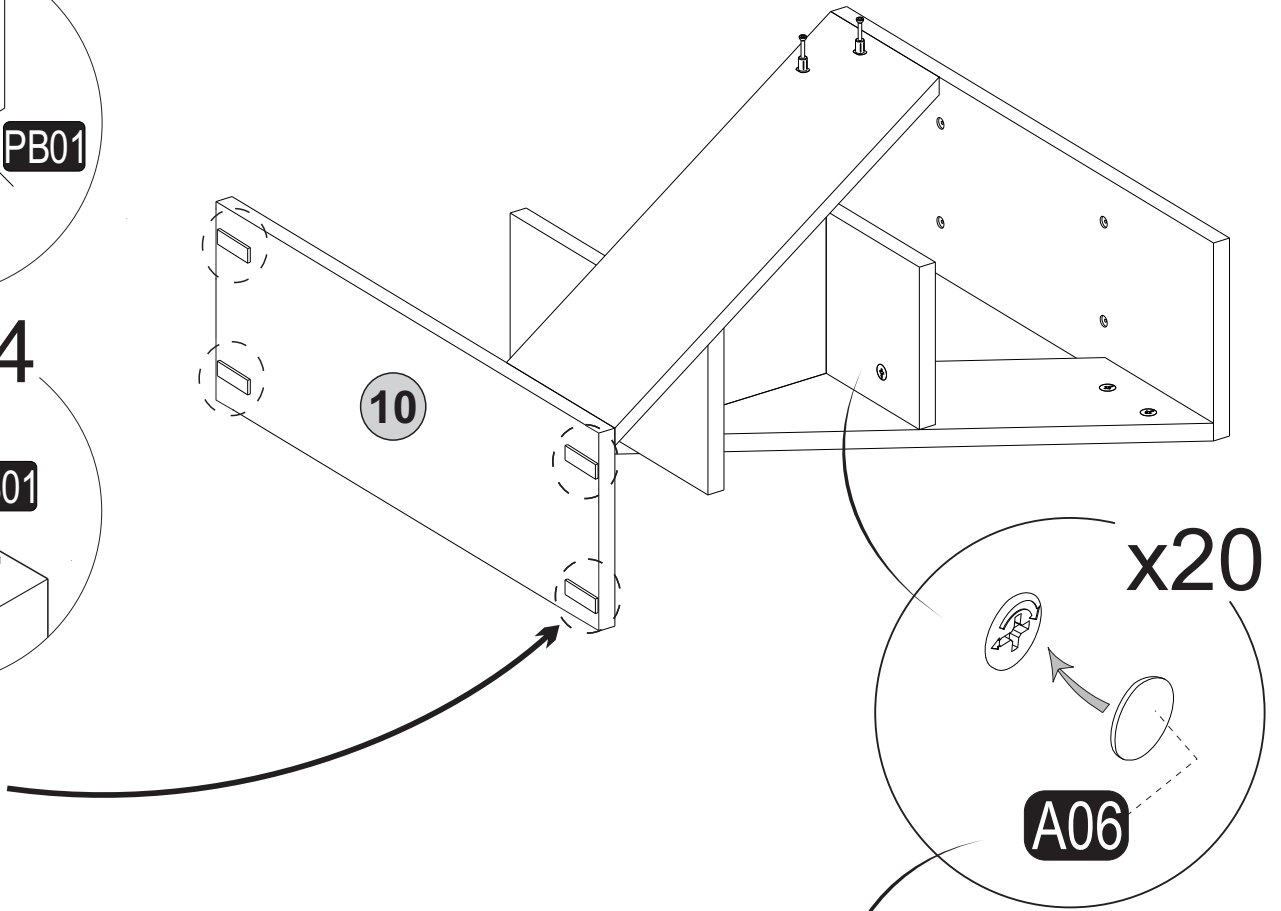
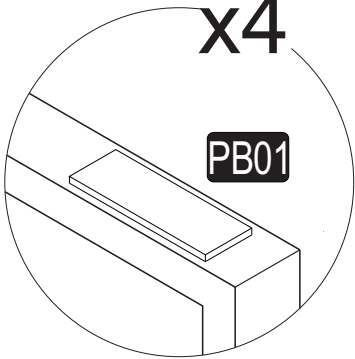
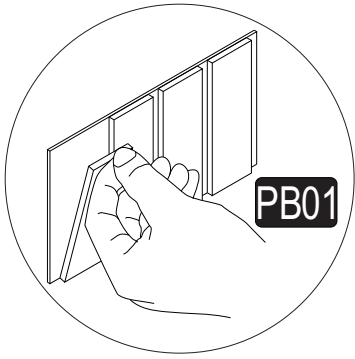
14



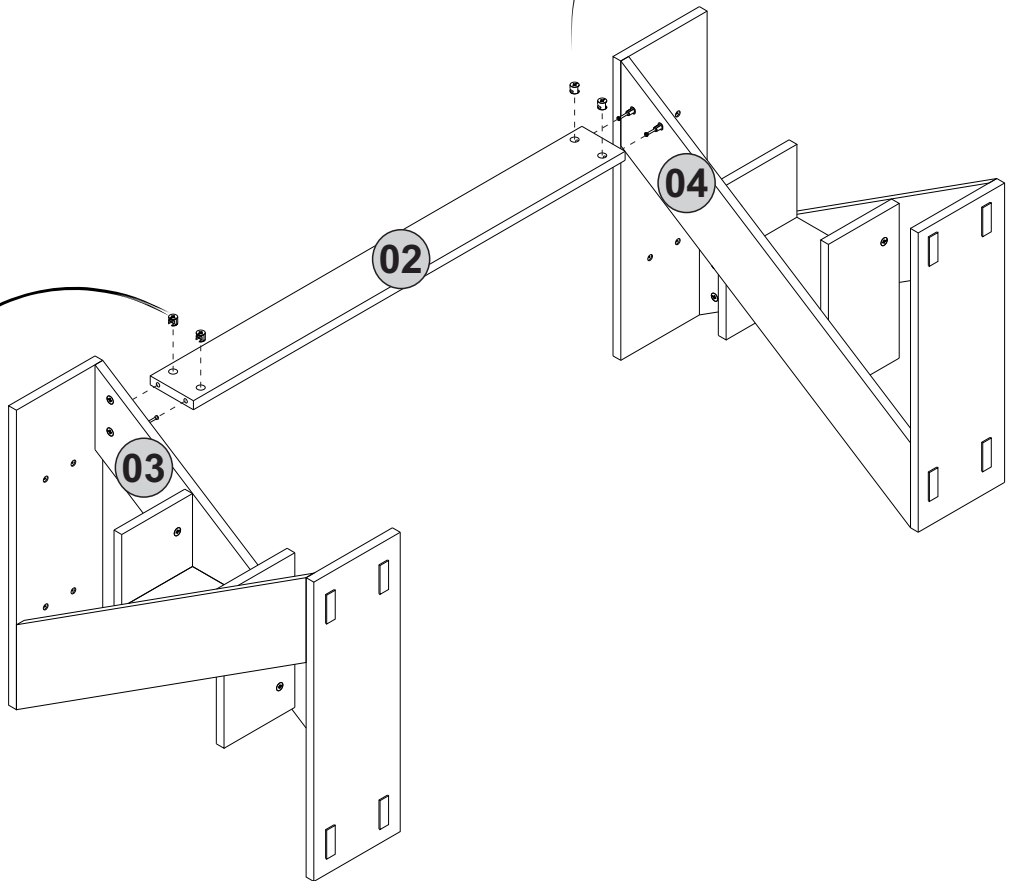
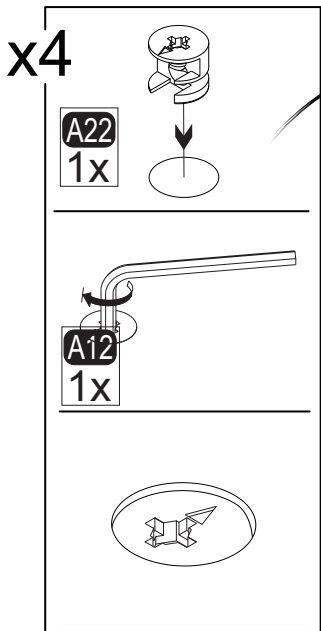
15



16

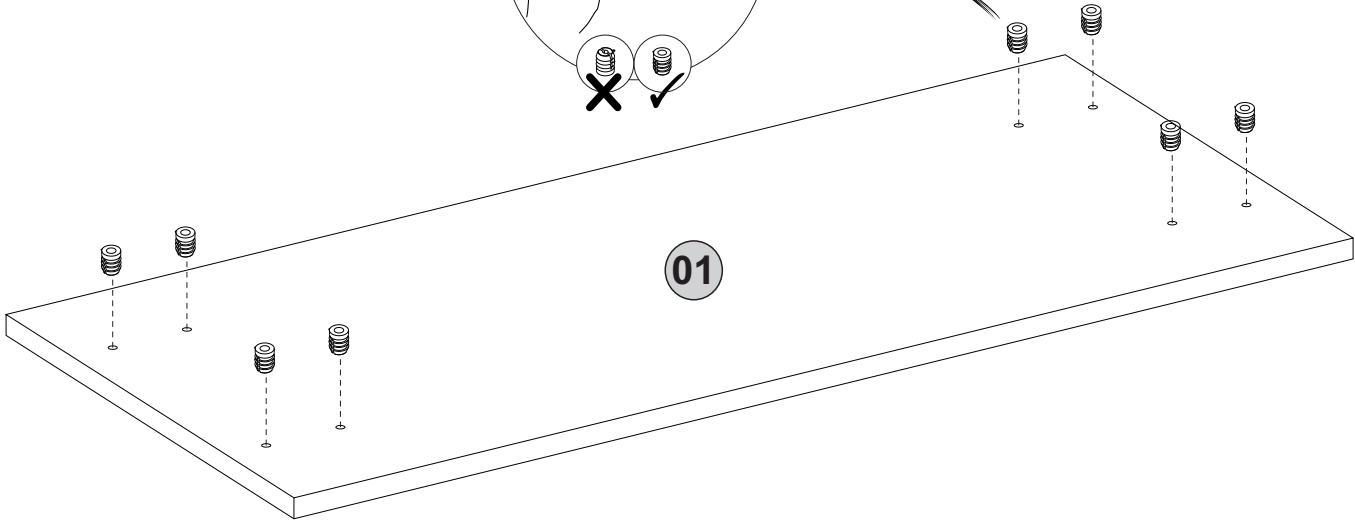
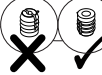


17



x8

A69

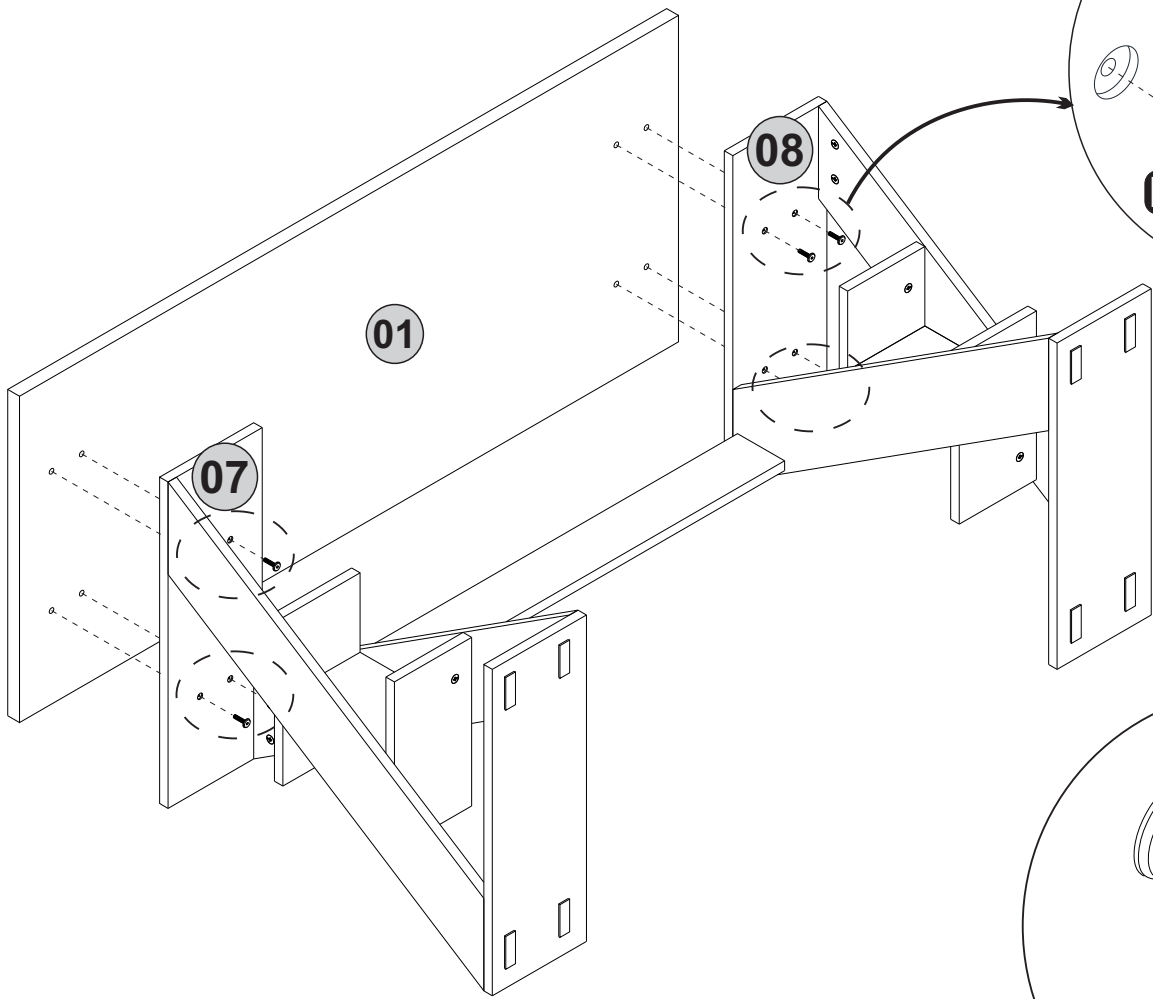


01

x8

A12

B03



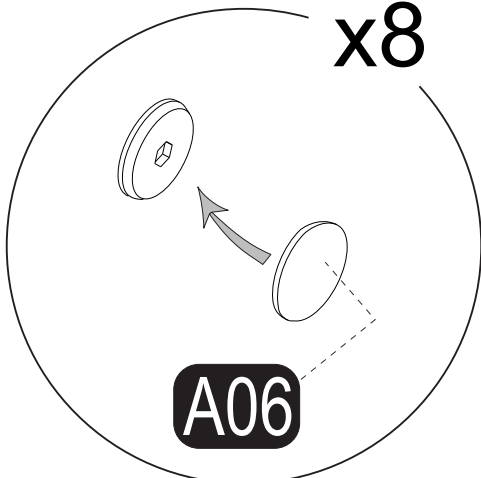
08

01

07

x8

A06



19

WALL

