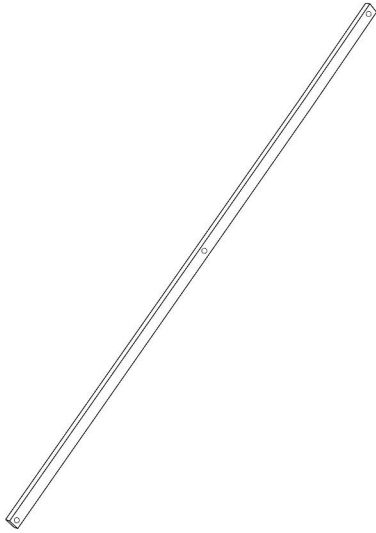
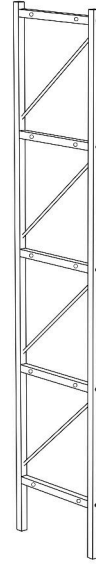
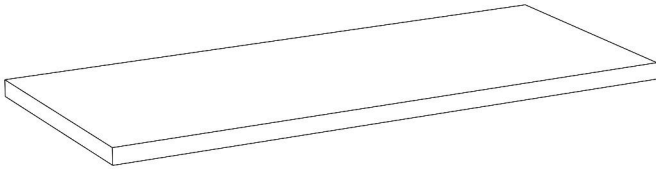
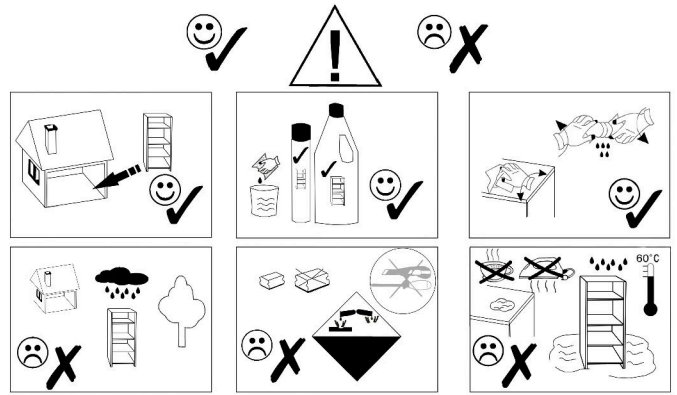
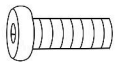
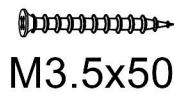
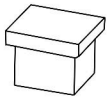
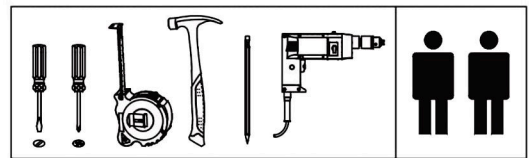
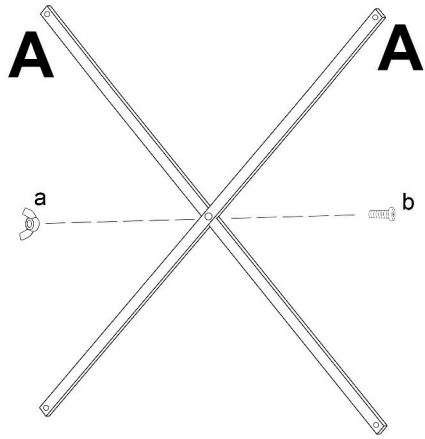


GP041-0001,3



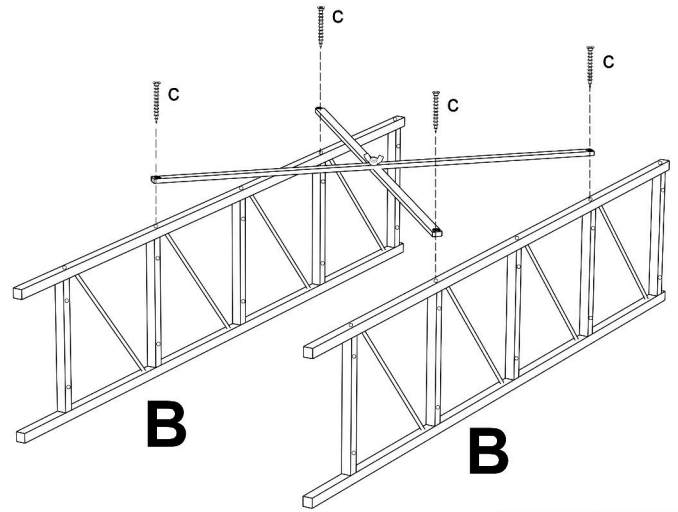
A**x2****B****x2****C****x5****a****x1****b****x1****c****x4****d****x20****e****x8****f****x10**

01



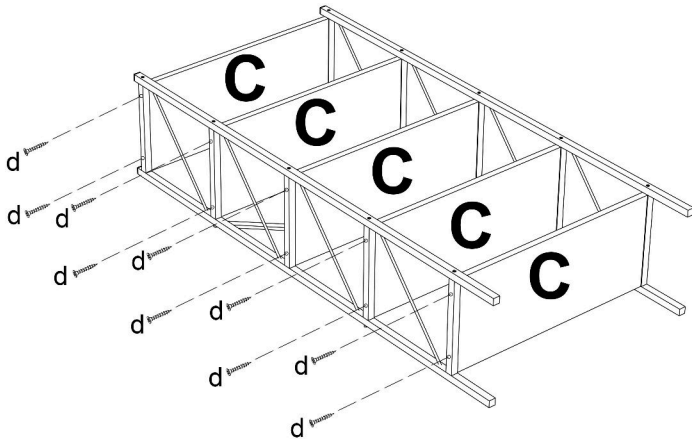
a	x1	b	x1

02



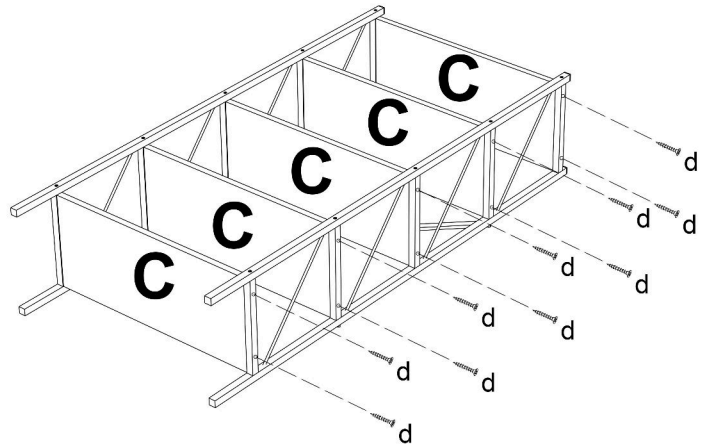
c	x4
M3.5x50	

03



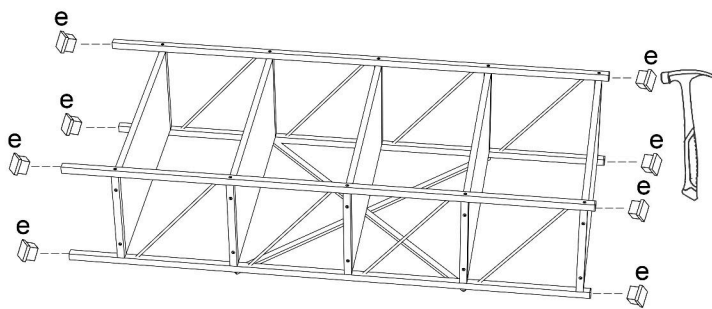
d	x10
M4x35	

04



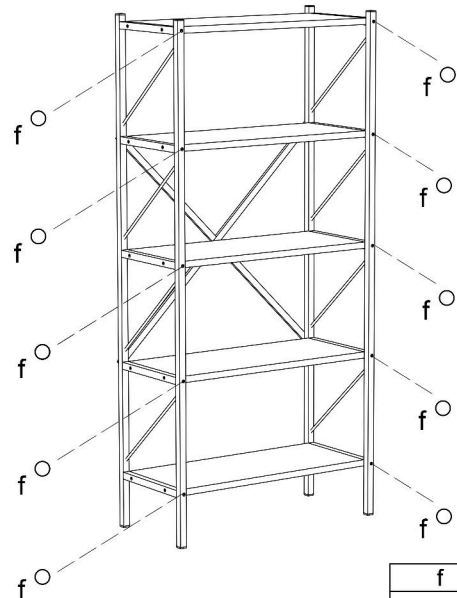
d	x10
M4x35	

05



e	x8

06



f	x10