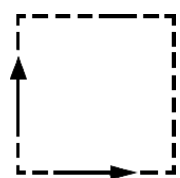
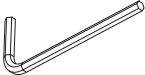






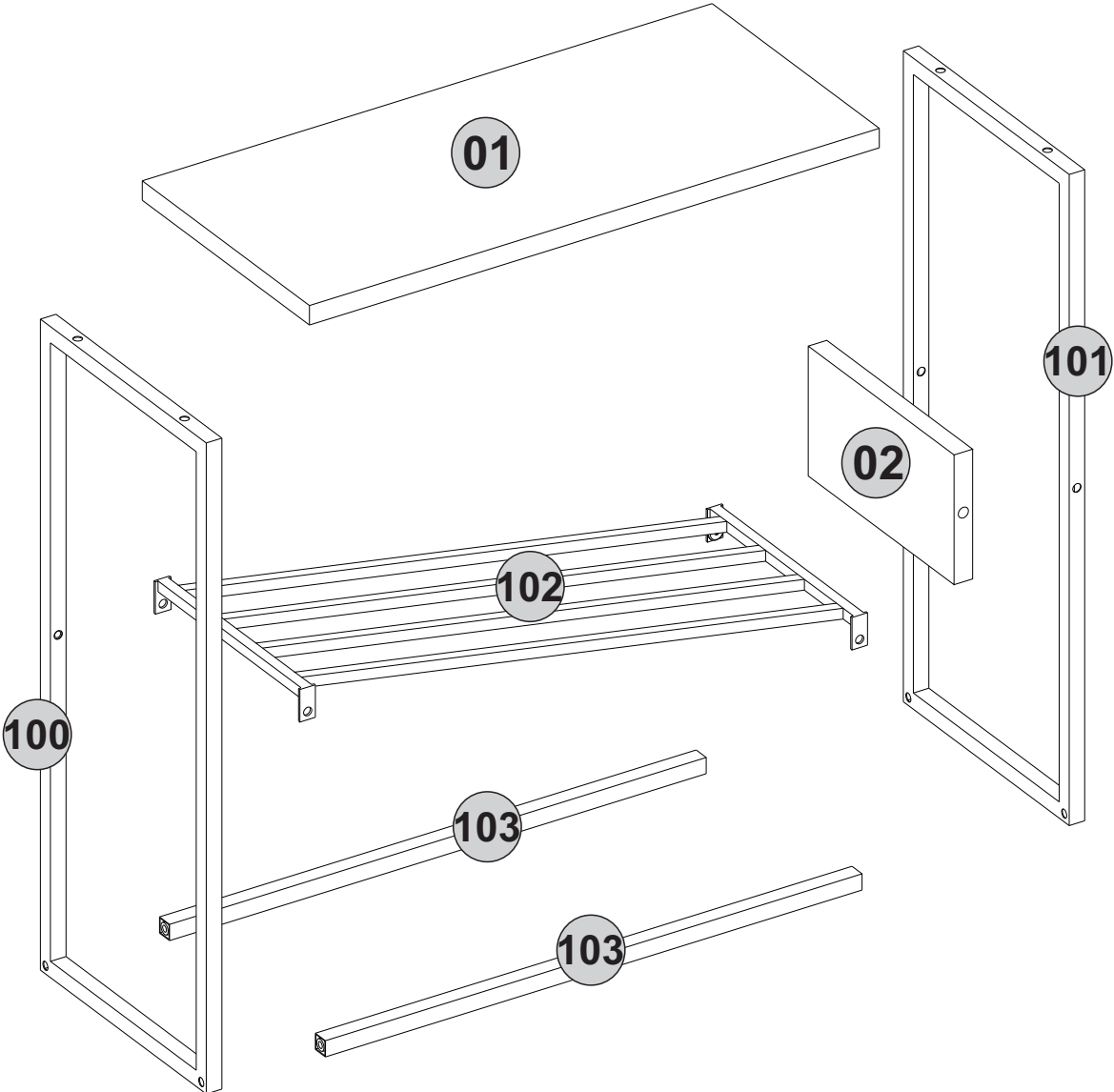
i GP037-0305,1



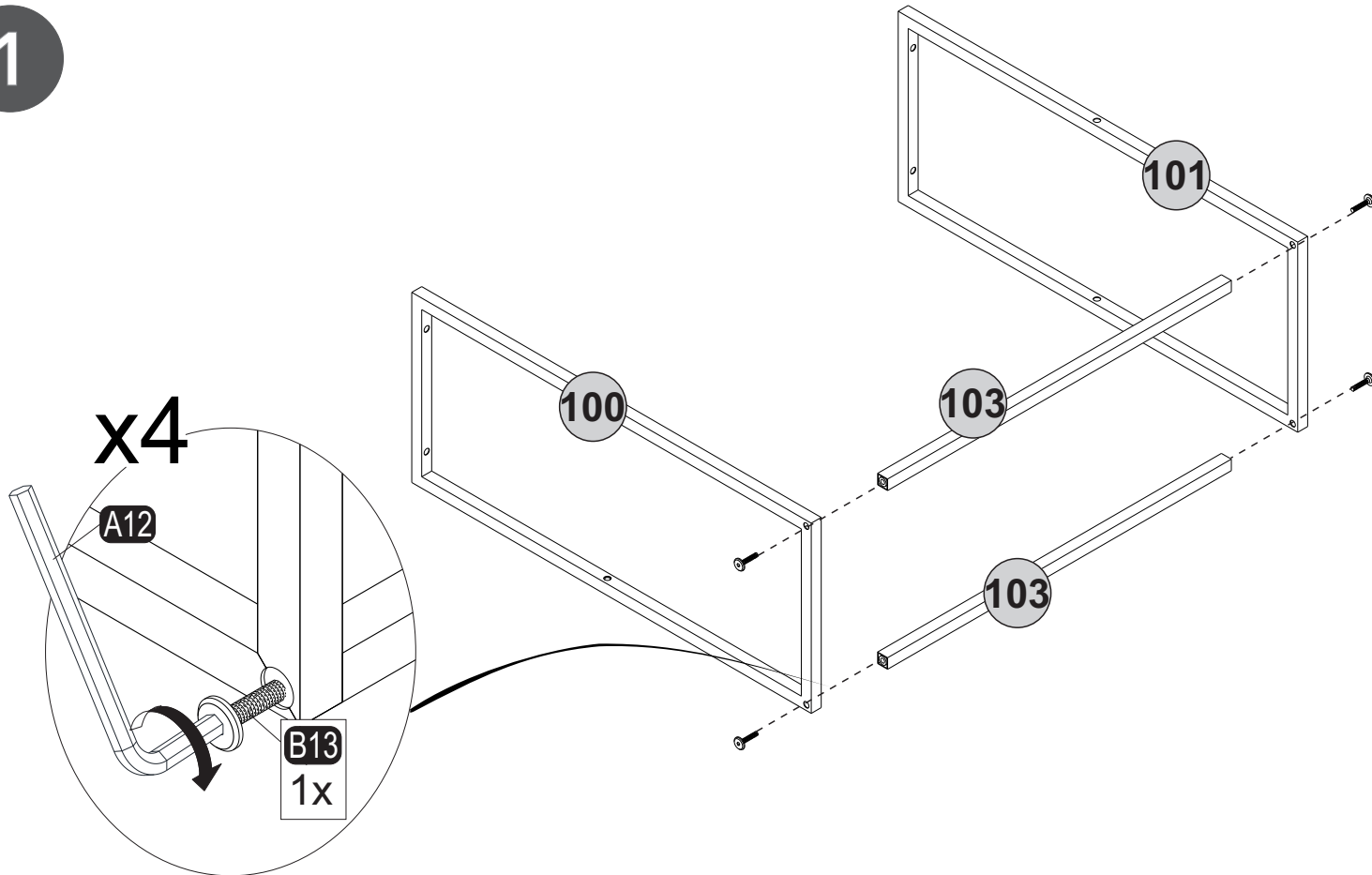
55 x 25 x 62cm

HARDWARE LIST

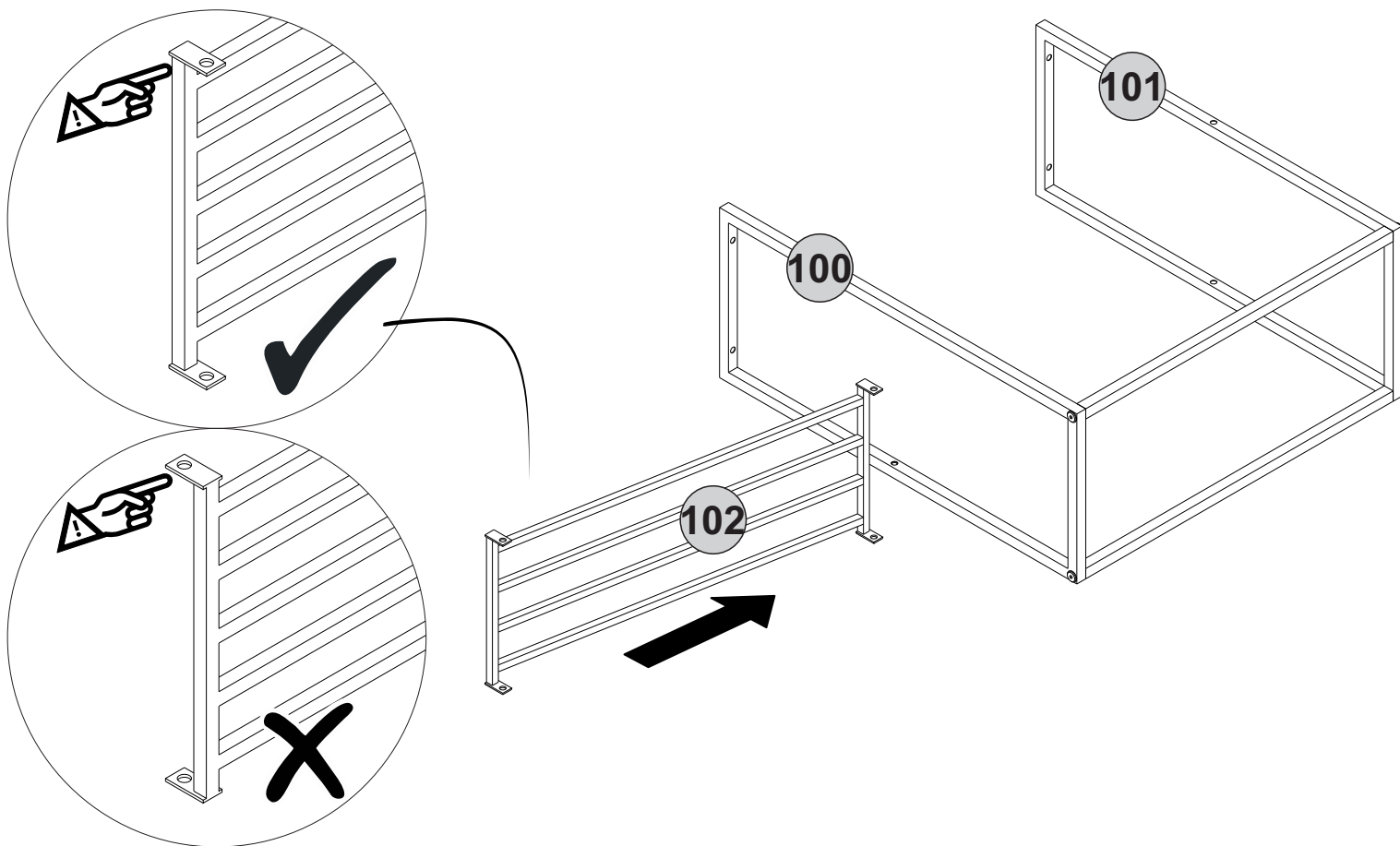
A12  Allen 1x	A69  P.D. 6x	B11  10 (black)mm 4x	B13  25 (black)mm 10x	Z279  1x
---	--	--	---	---



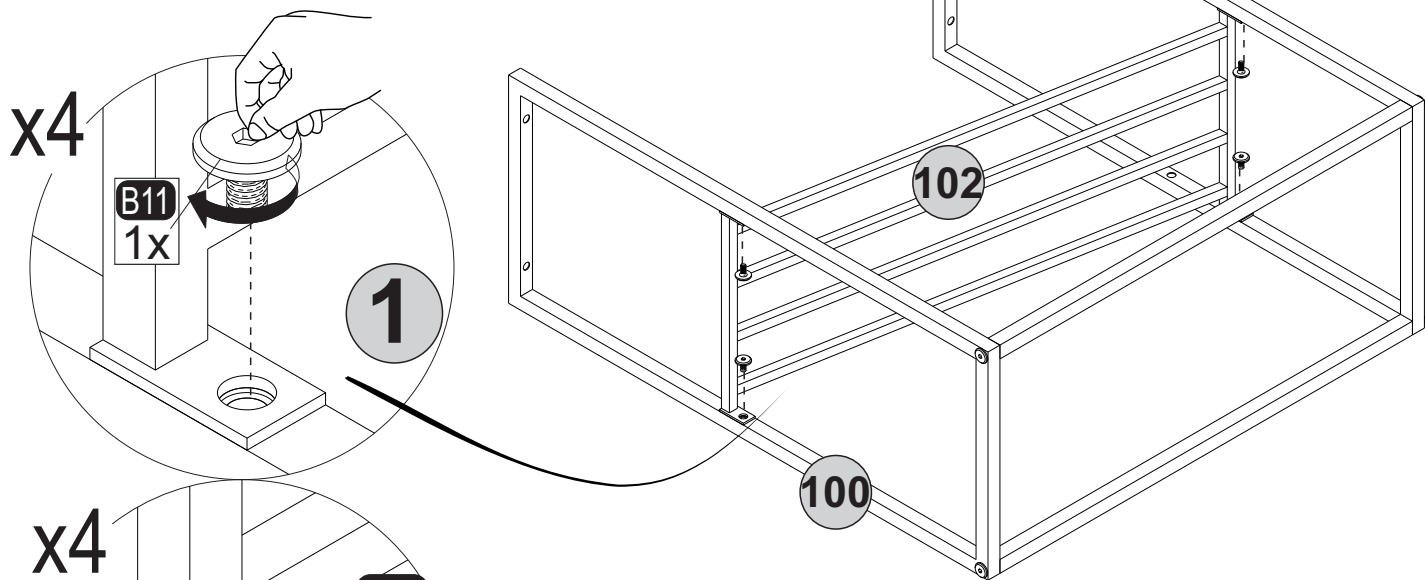
1



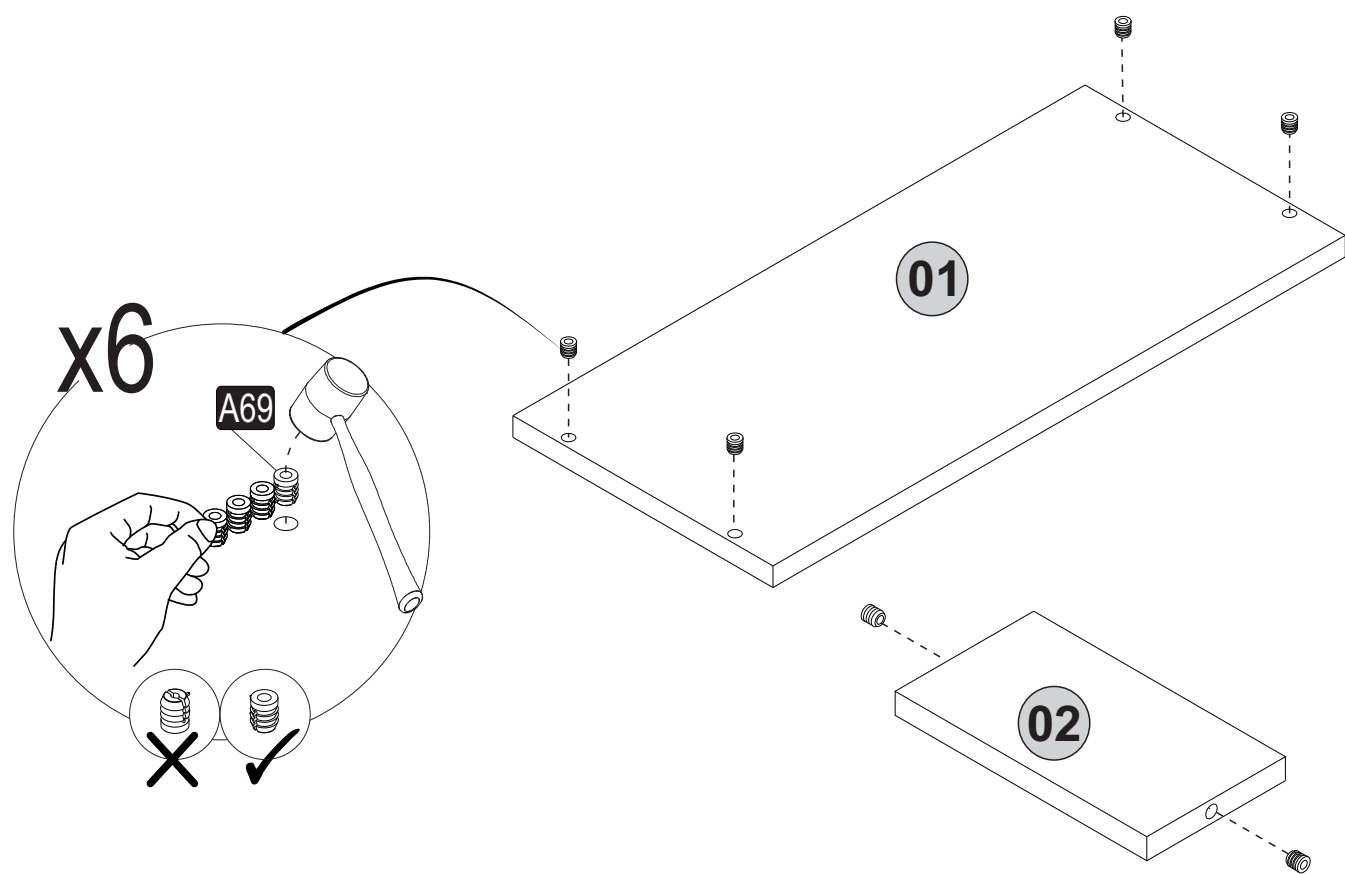
2



3

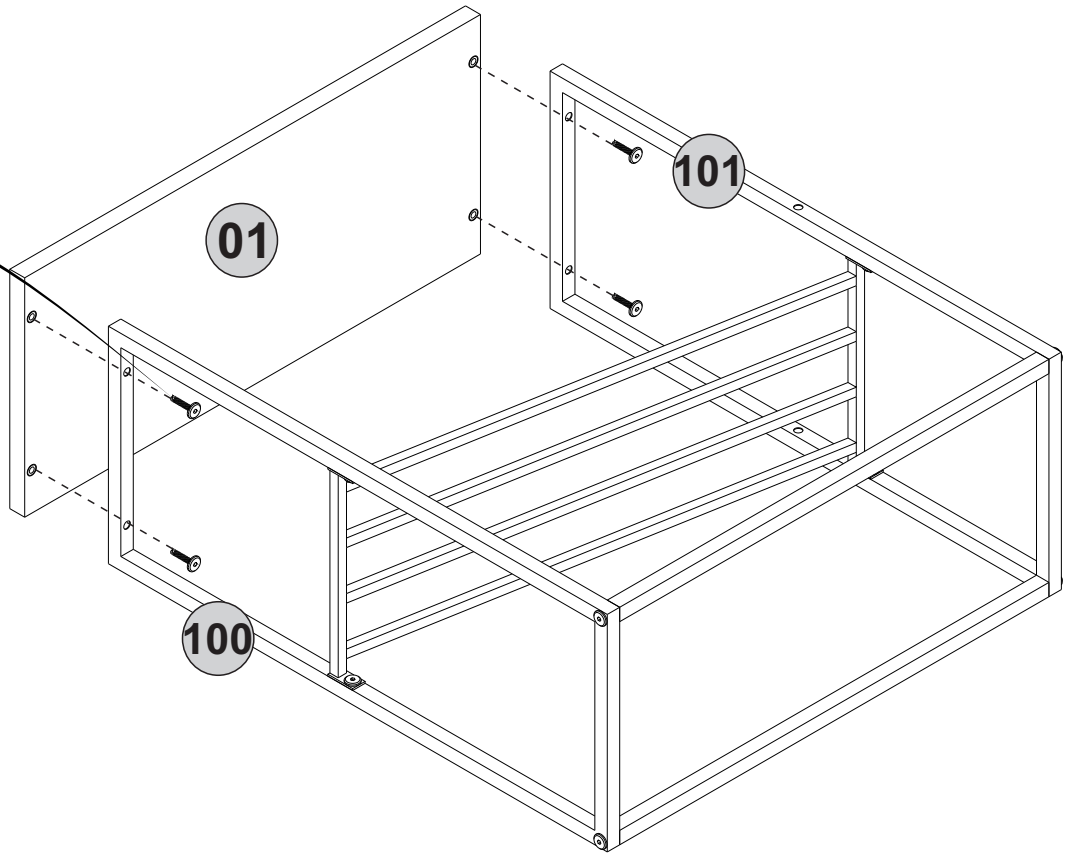
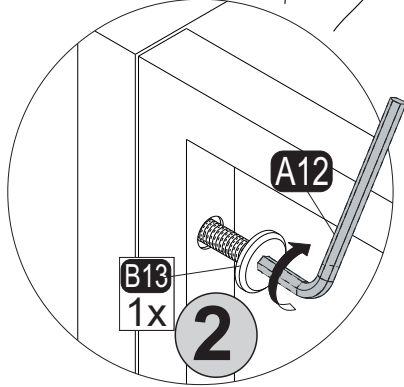
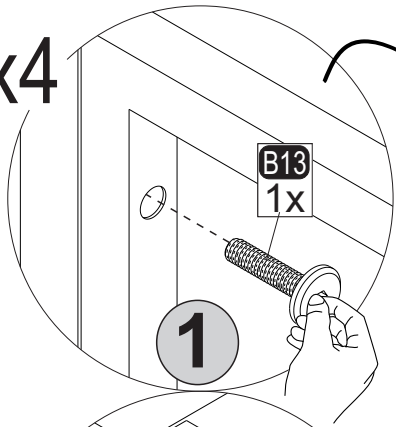


4

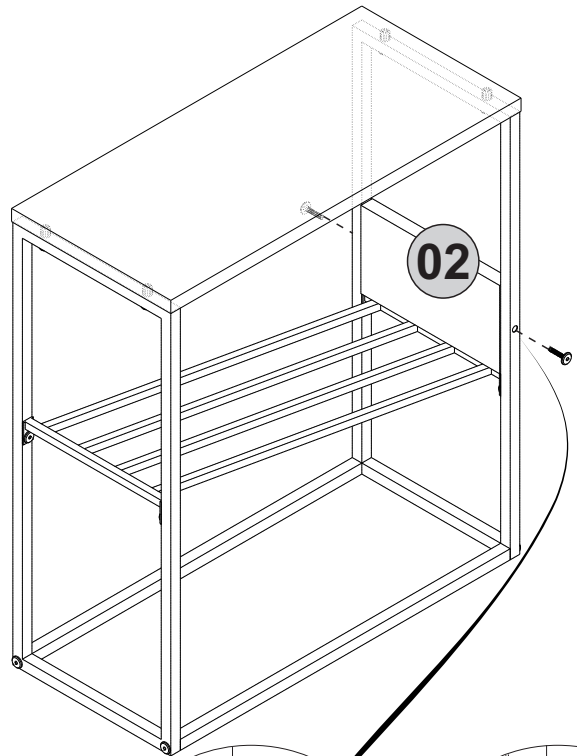
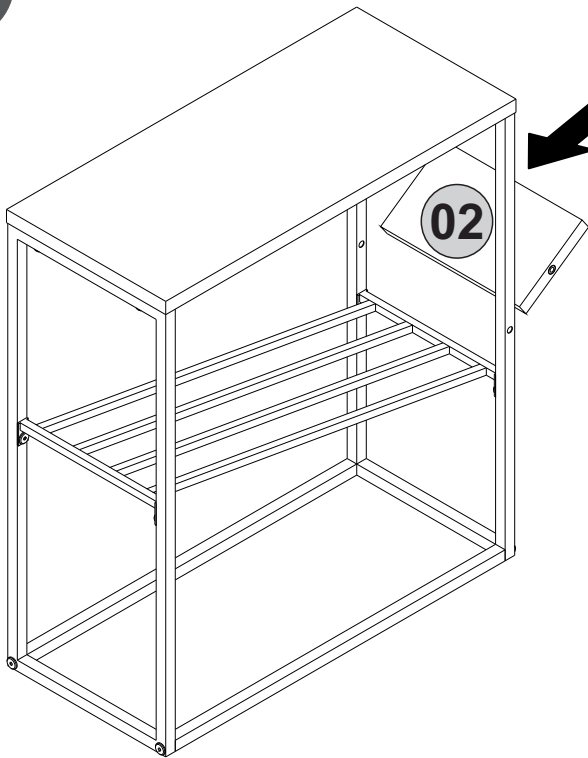


5

x4



6



x2

