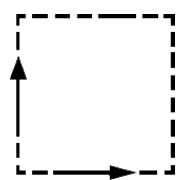
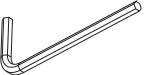


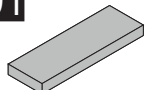


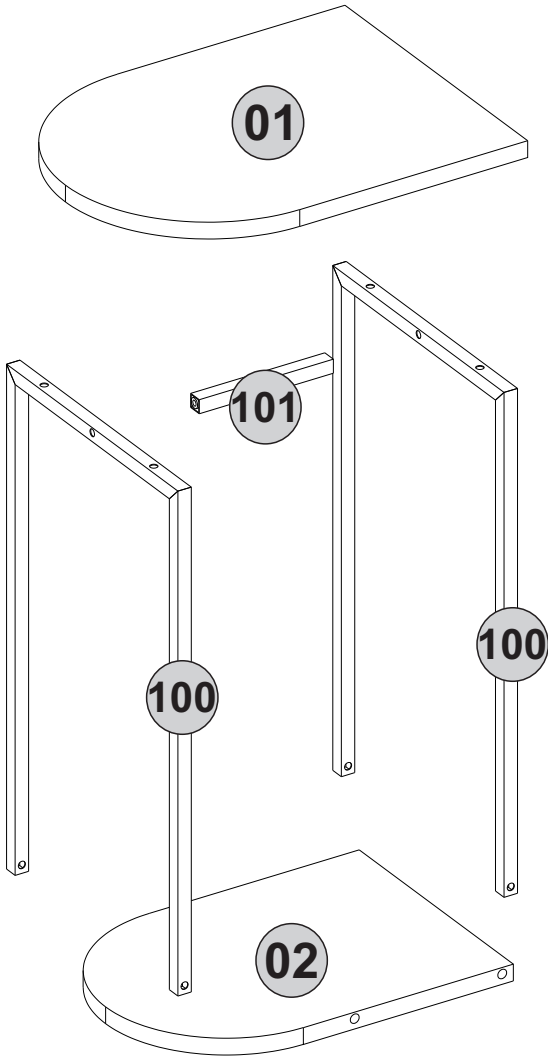
i GP037-0312,1



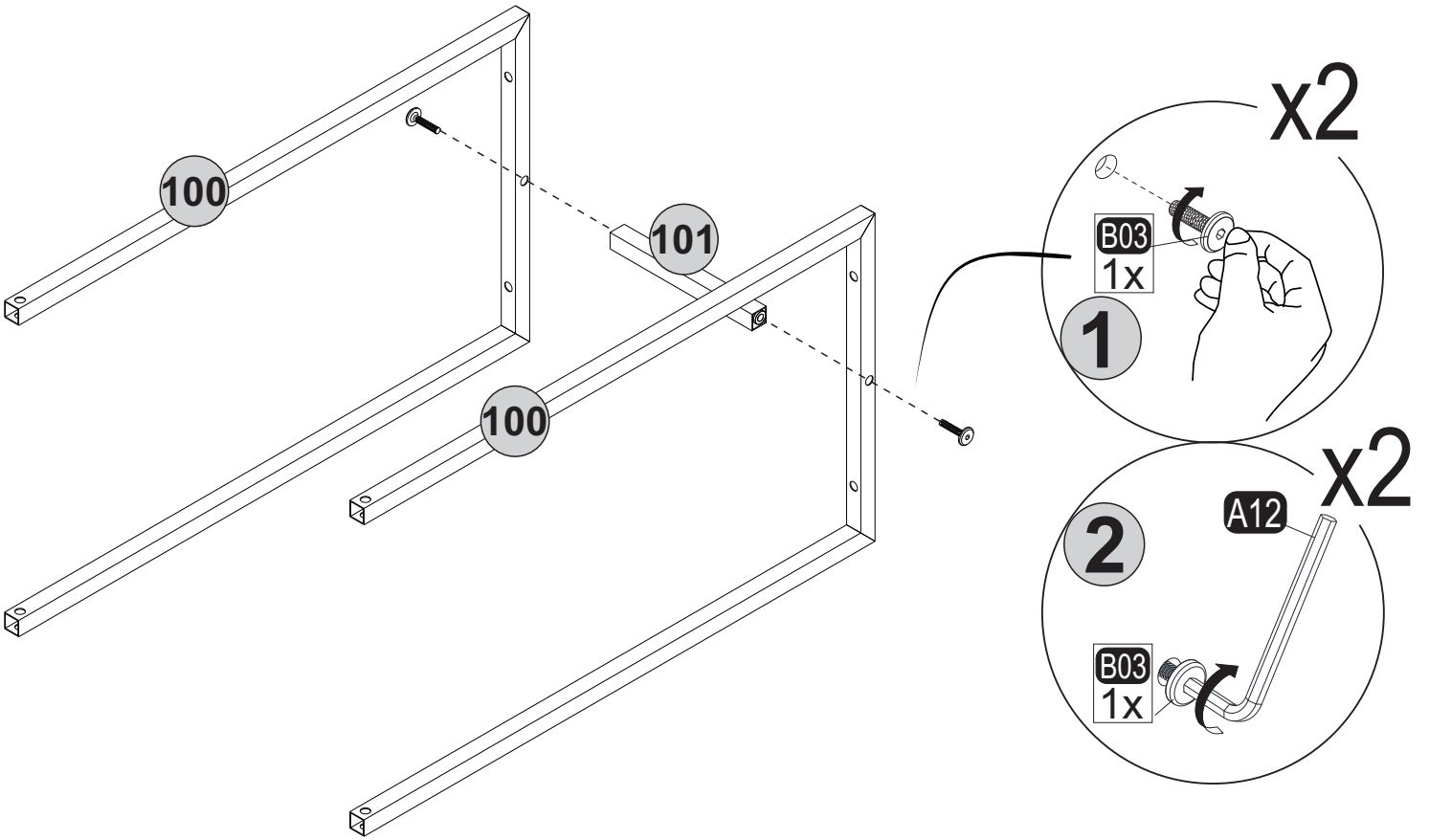
41,5 x 32 x 56cm

HARDWARE LIST

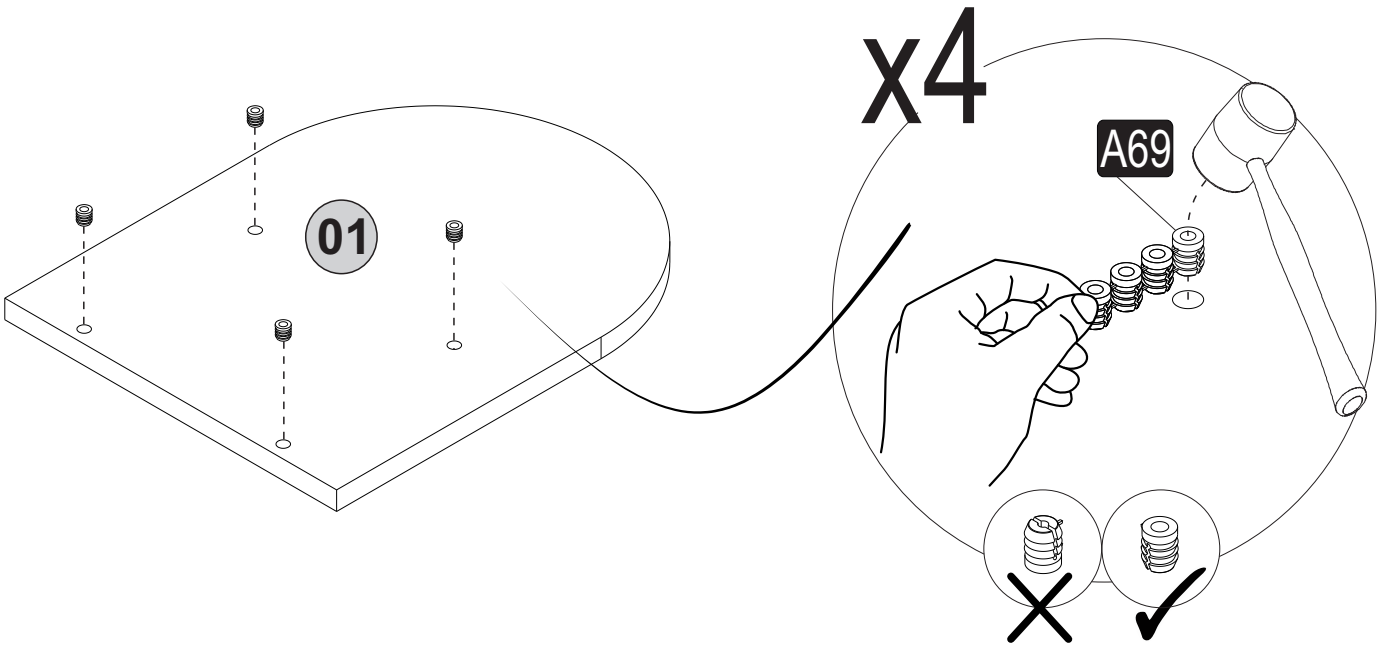
A12  Allen 1x	A69  P.D. 8x	B03  25 mm 10x	PB01  Kece 2x
--	---	---	--



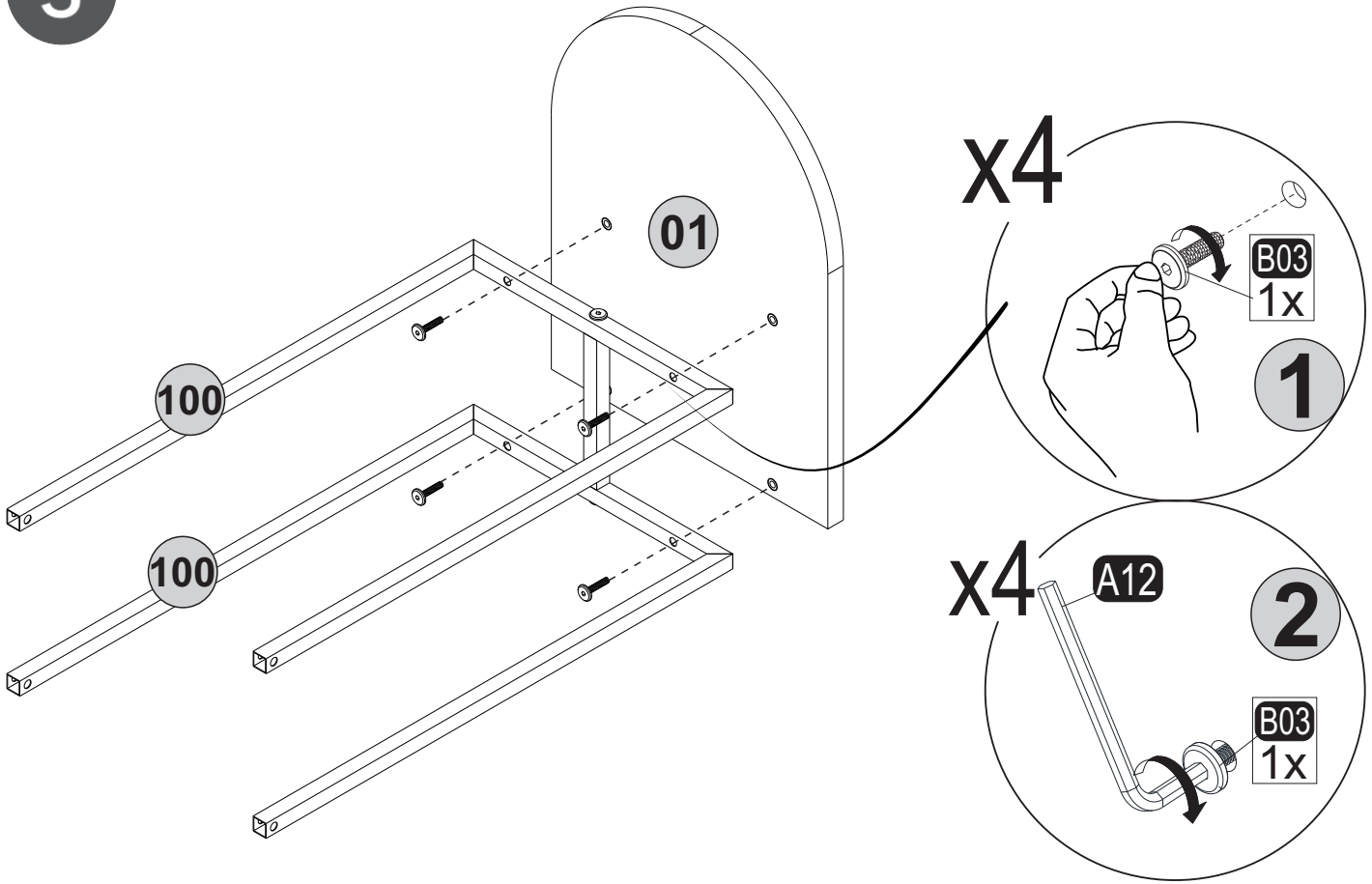
1



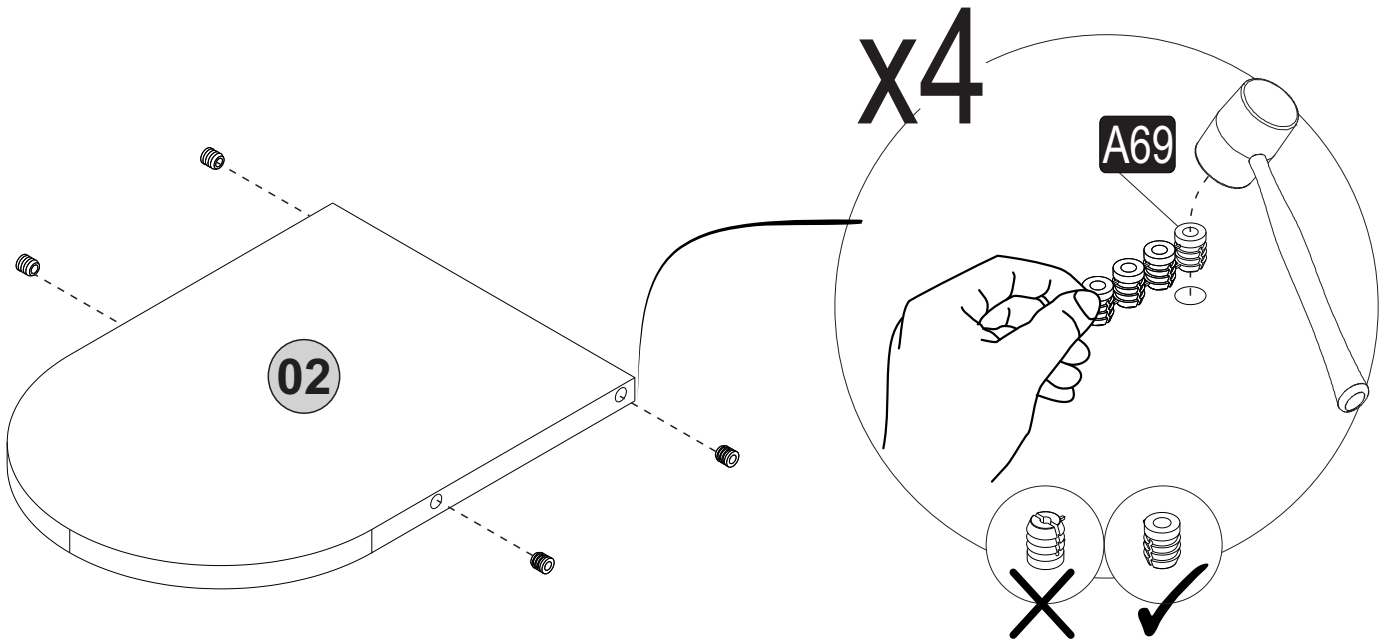
2



3



4



5

