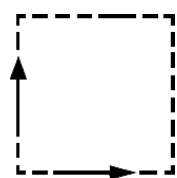
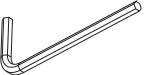


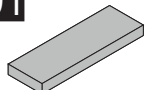


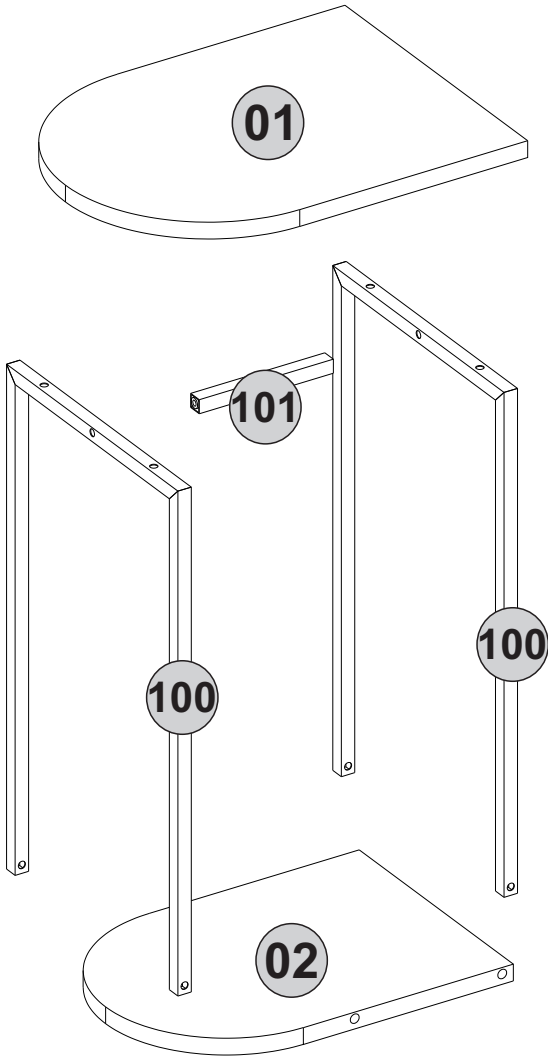
i GP037-0312,2



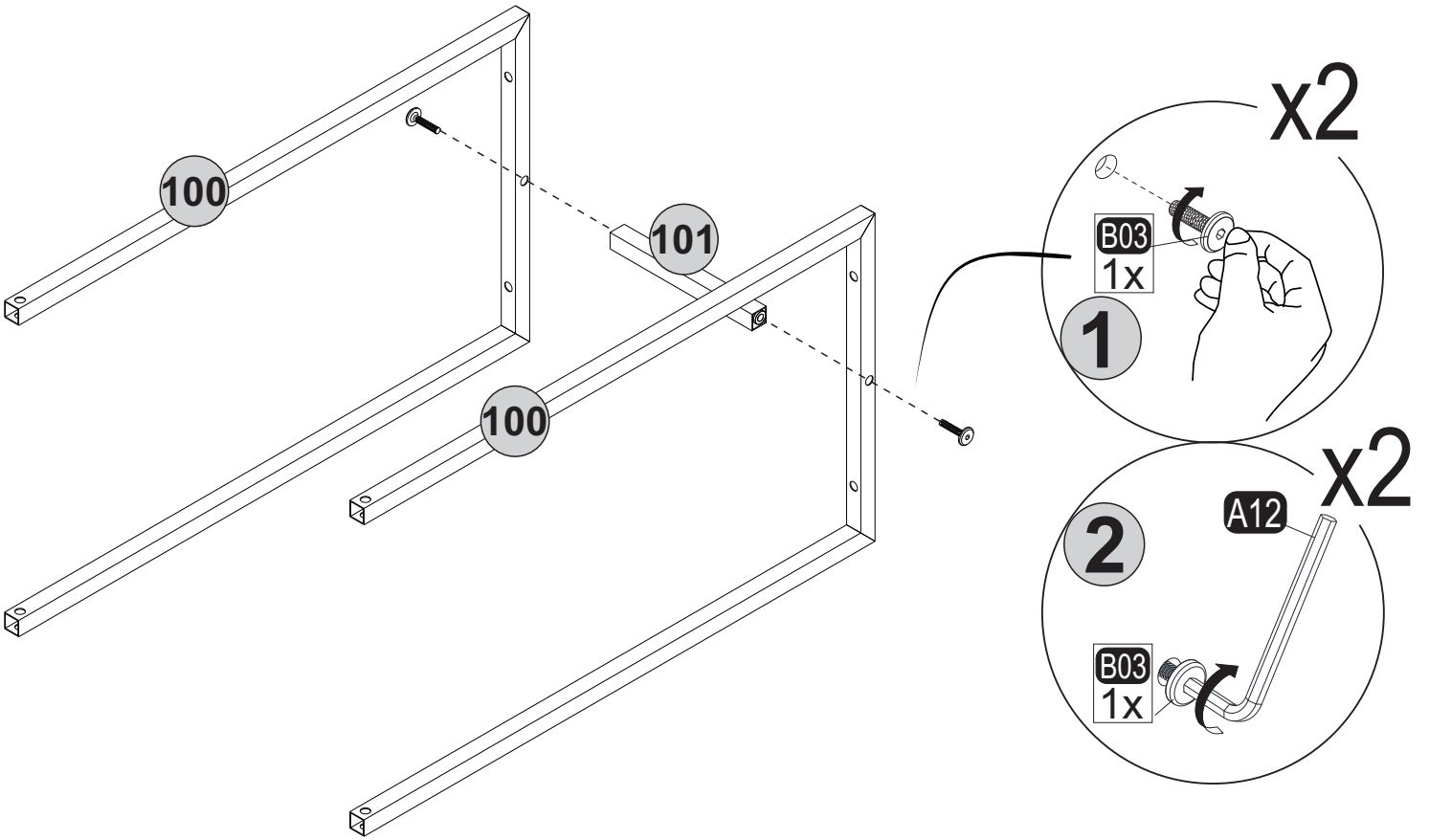
41,5 x 32 x 56cm

HARDWARE LIST

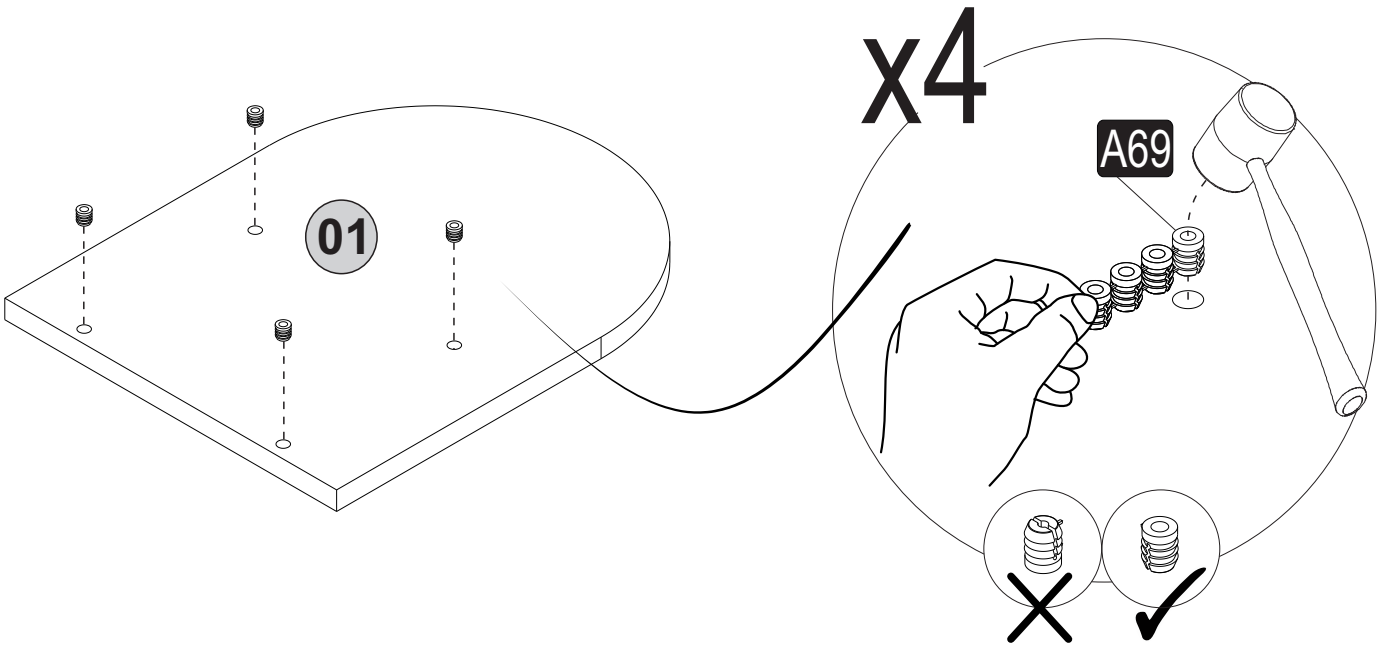
A12	Allen	A69	P.D.	B03	25 mm	PB01	Kece
							
1x		8x		10x		2x	



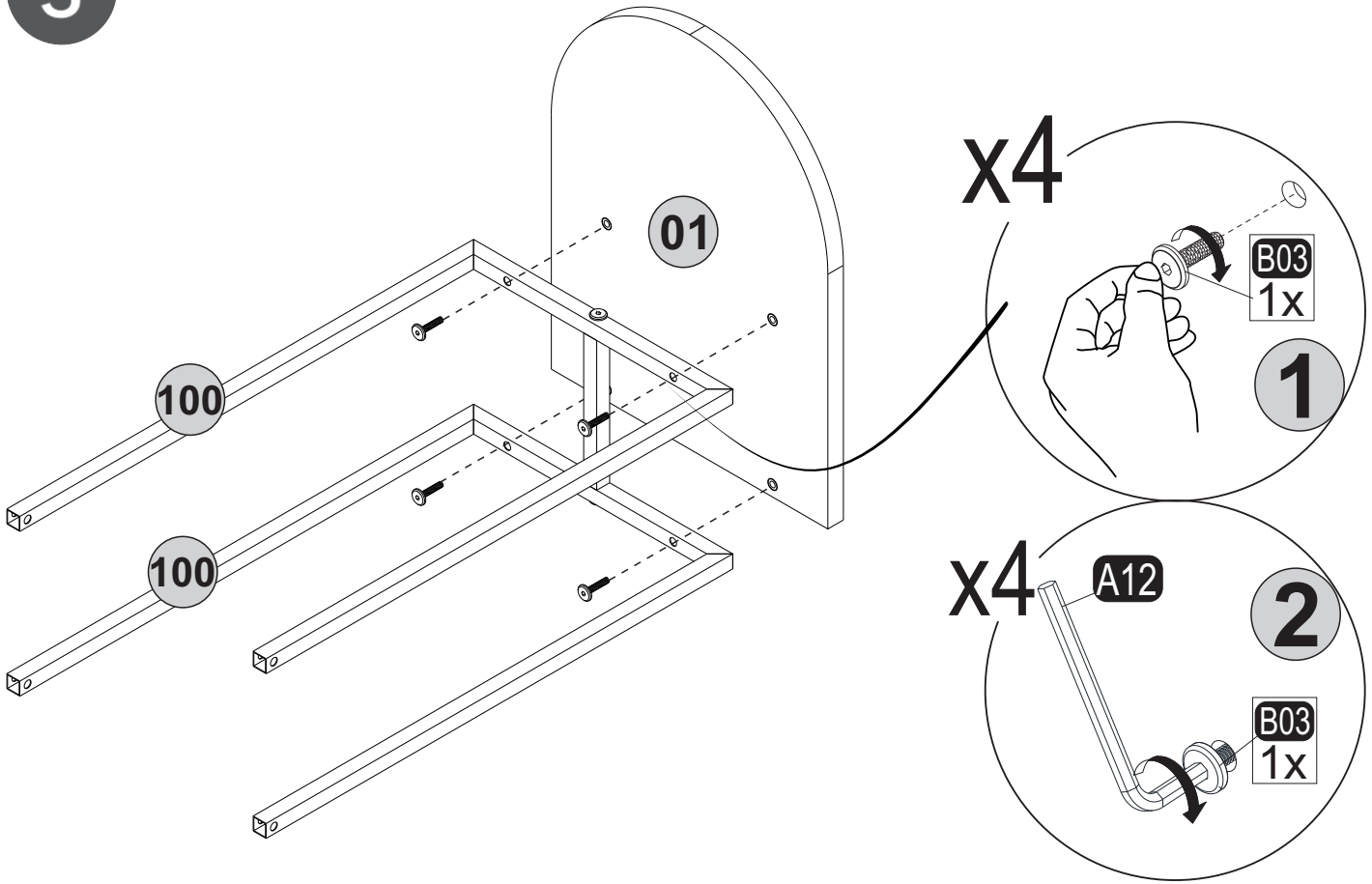
1



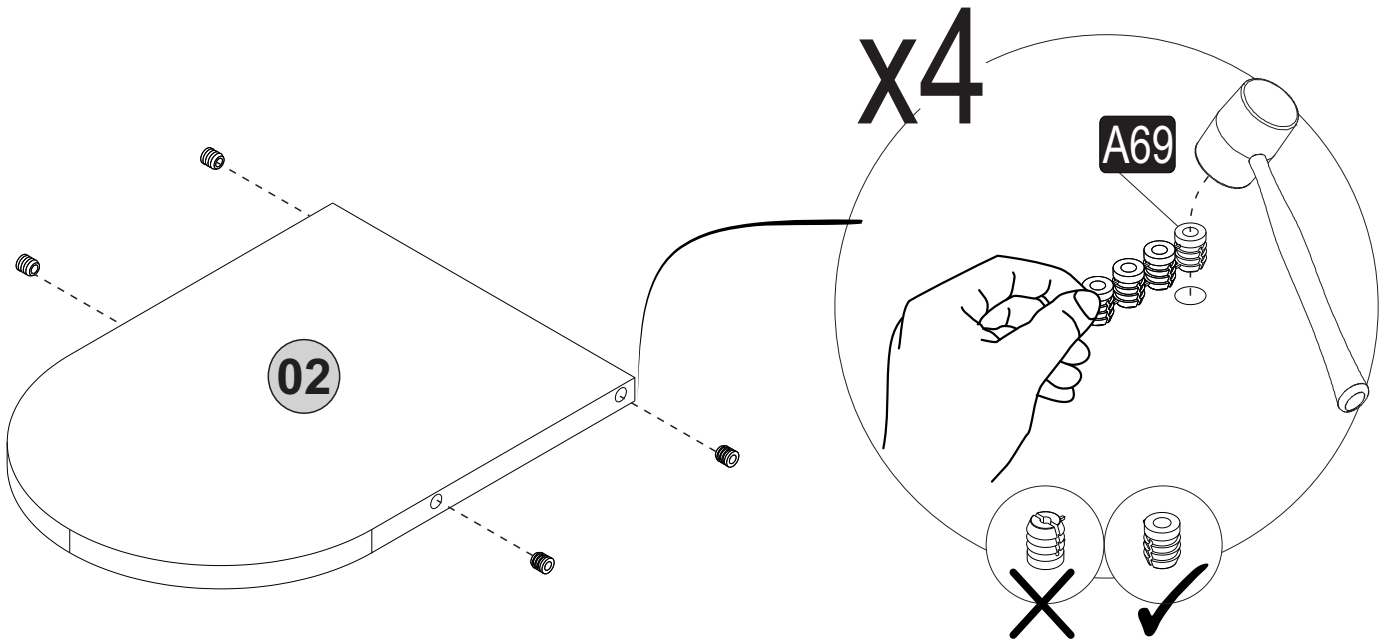
2



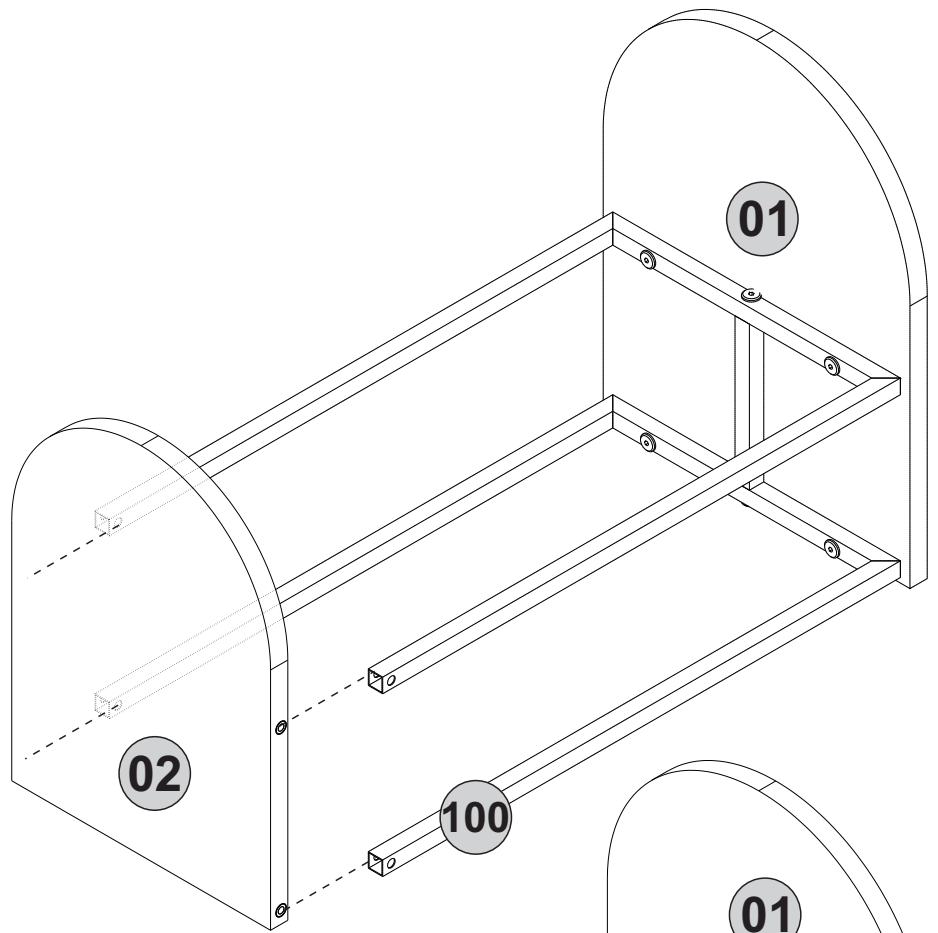
3



4



5

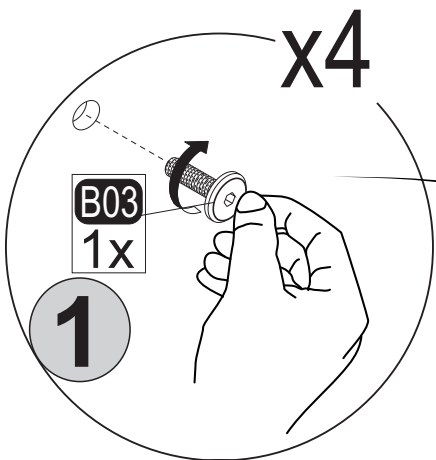


02

01

100

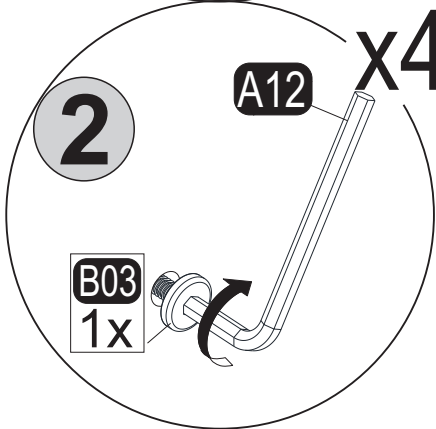
01



x4

B03
1x

1

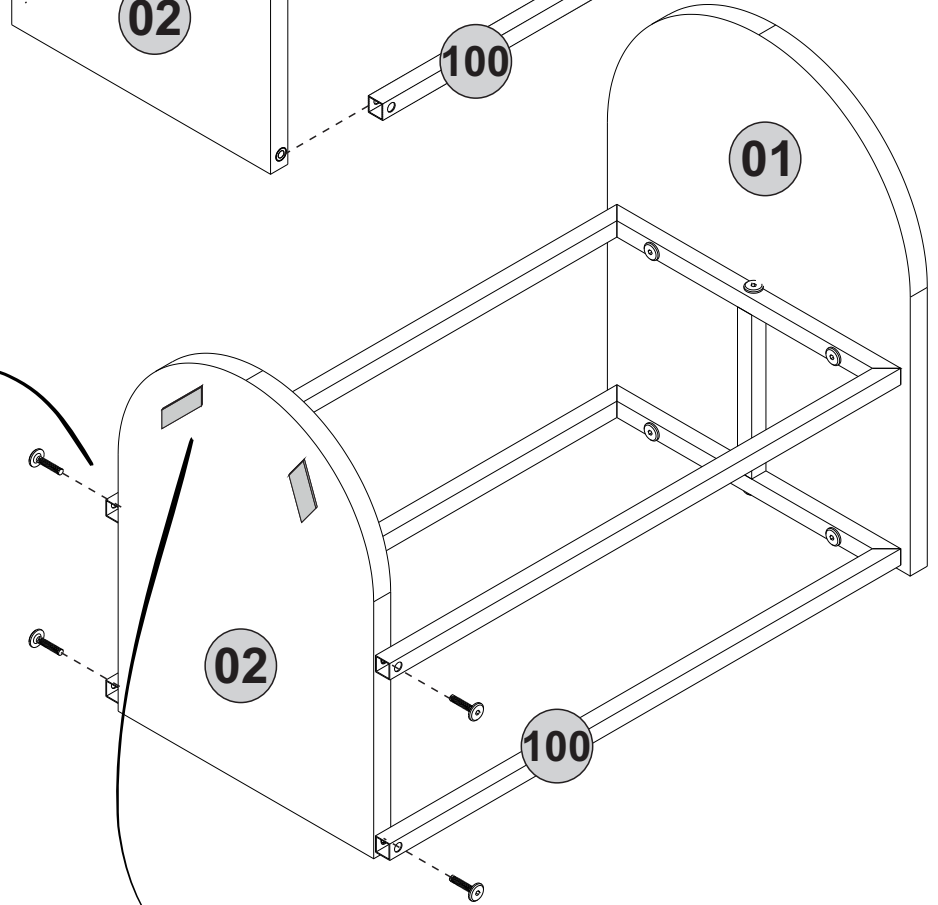


x4

A12

2

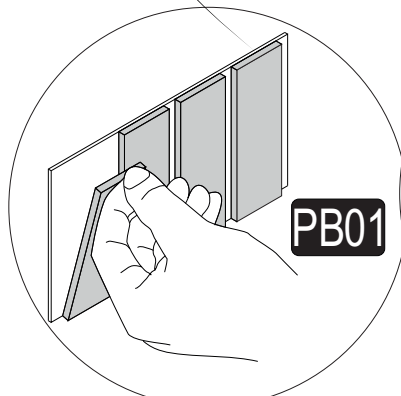
B03
1x



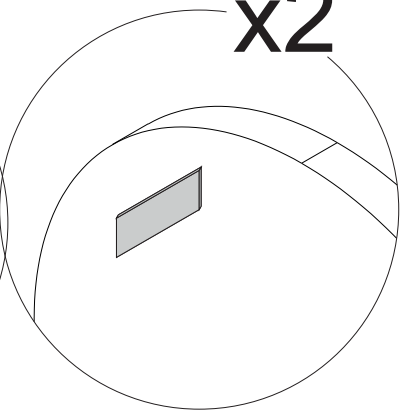
02

01

100



PB01



x2