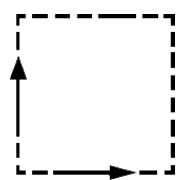
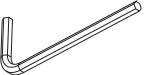


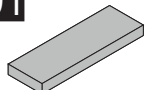


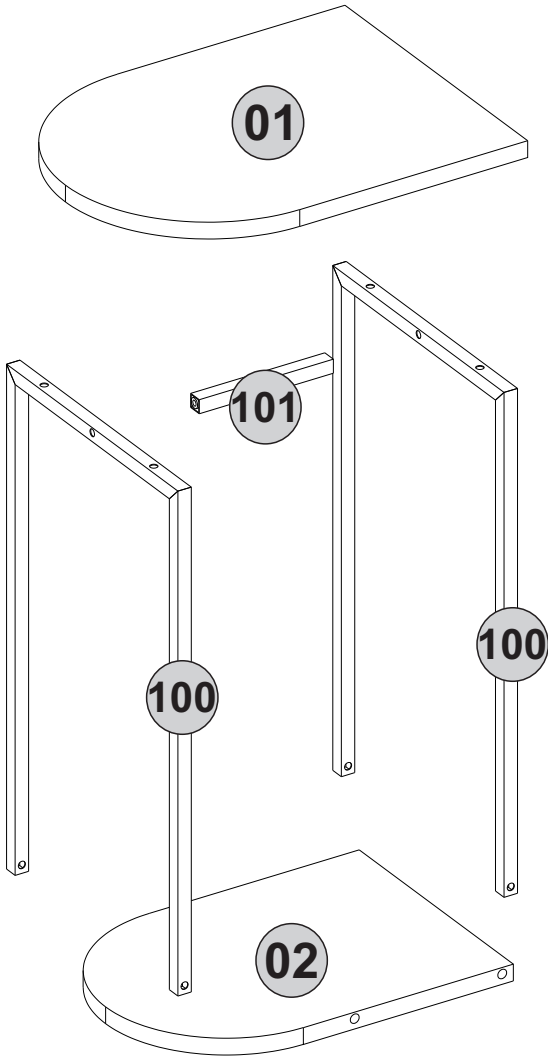
**i** GP037-0312,3



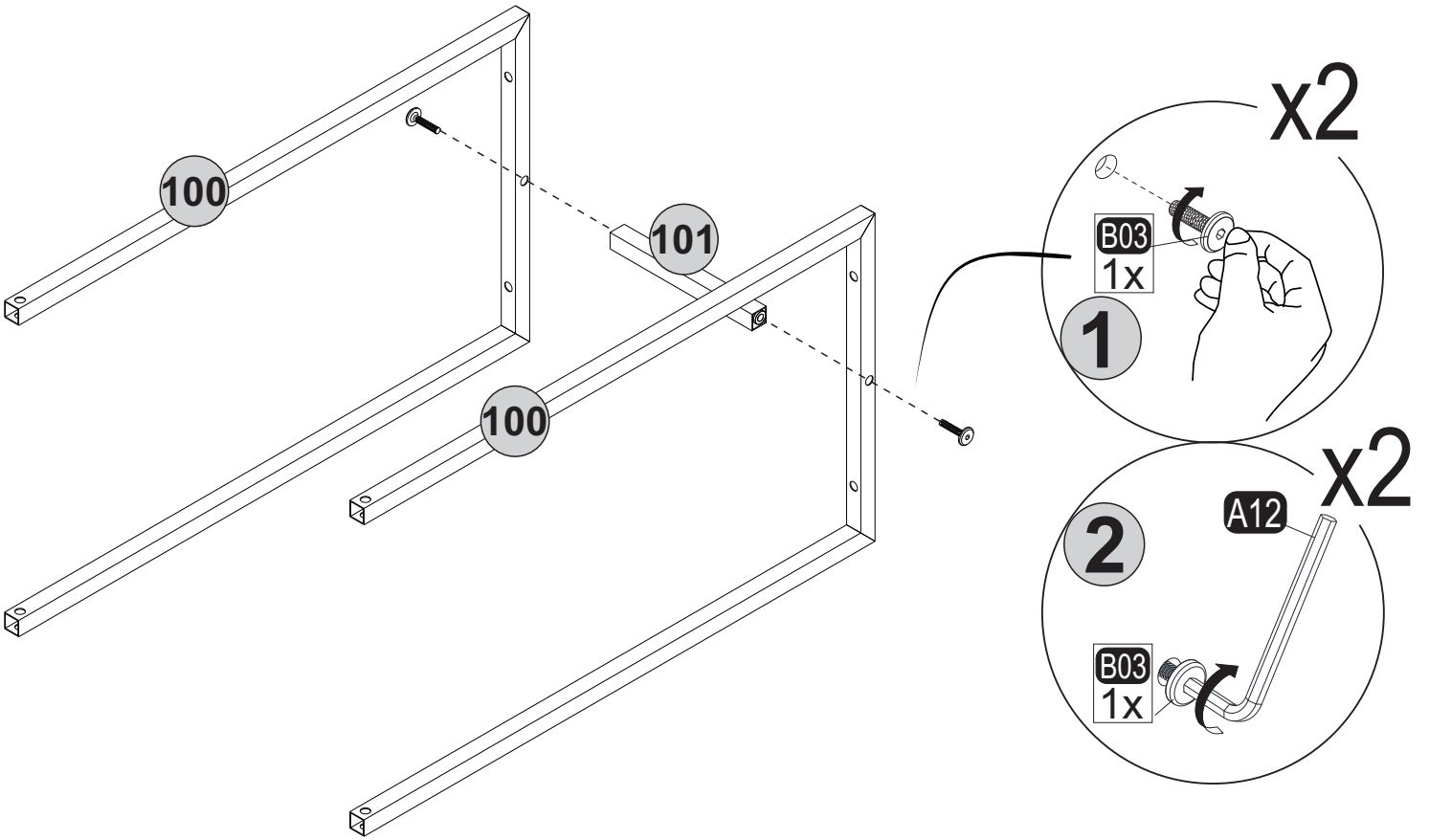
41,5 x 32 x 56cm

# HARDWARE LIST

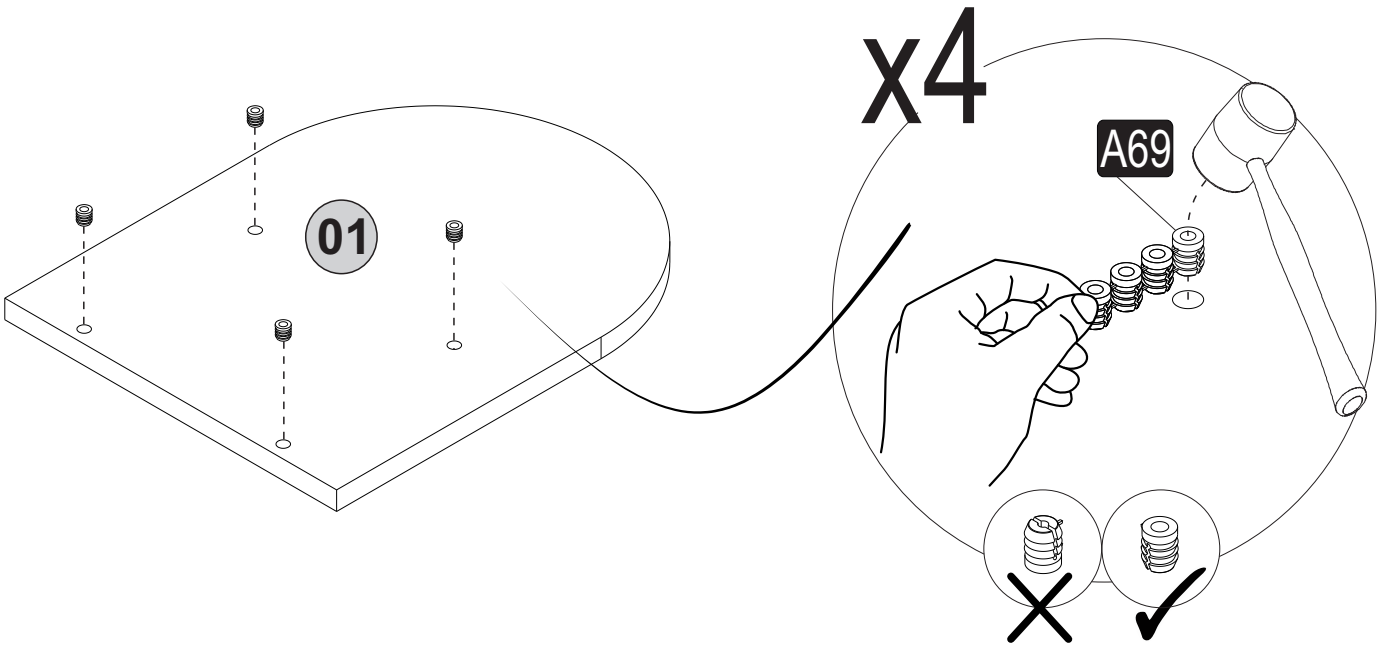
<b>A12</b>  1x	Allen <b>A69</b>  8x	P.D. <b>B03</b>  10x	25 mm <b>PB01</b>  2x	Kece
---	--	--	---	------



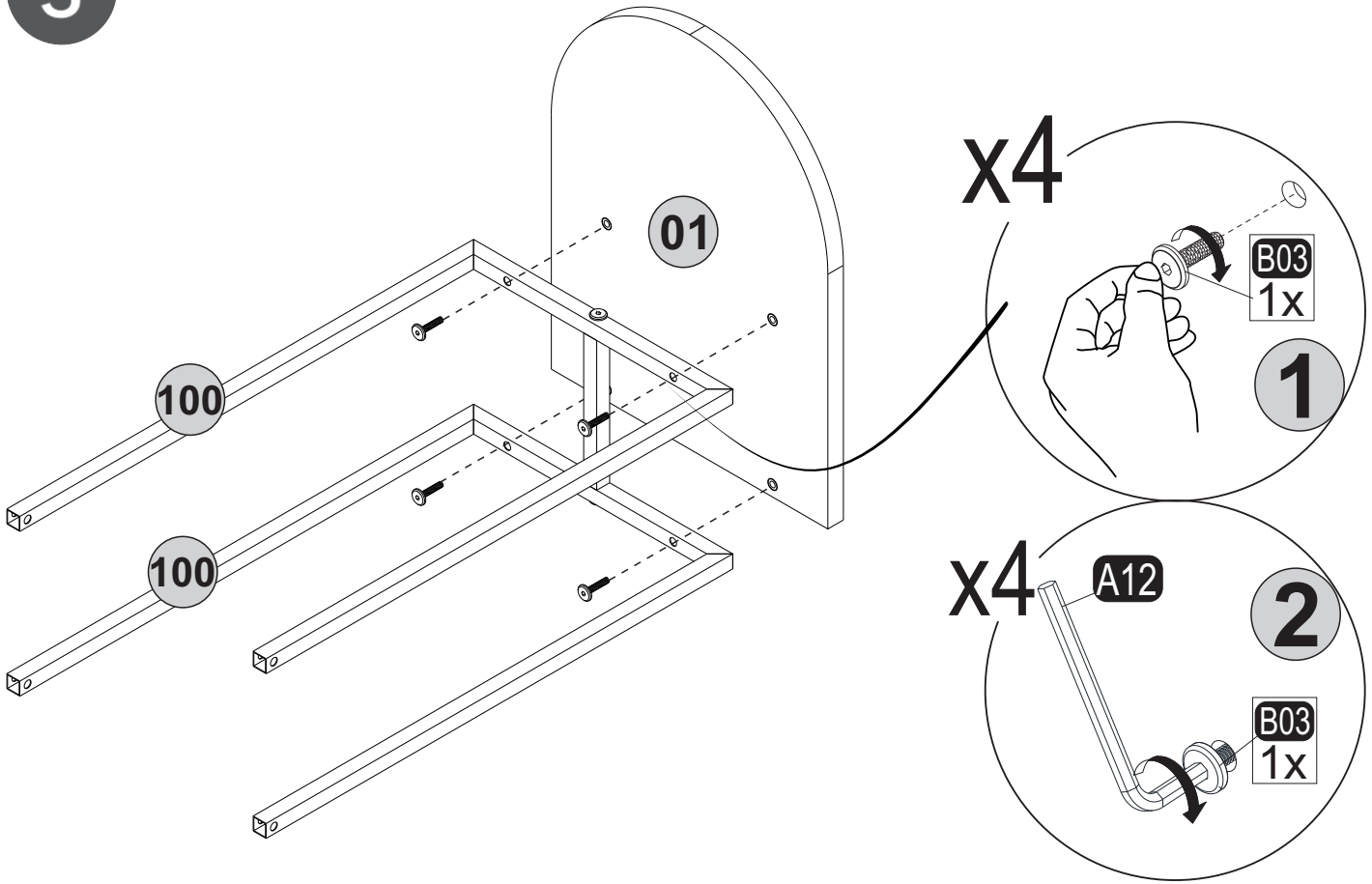
1



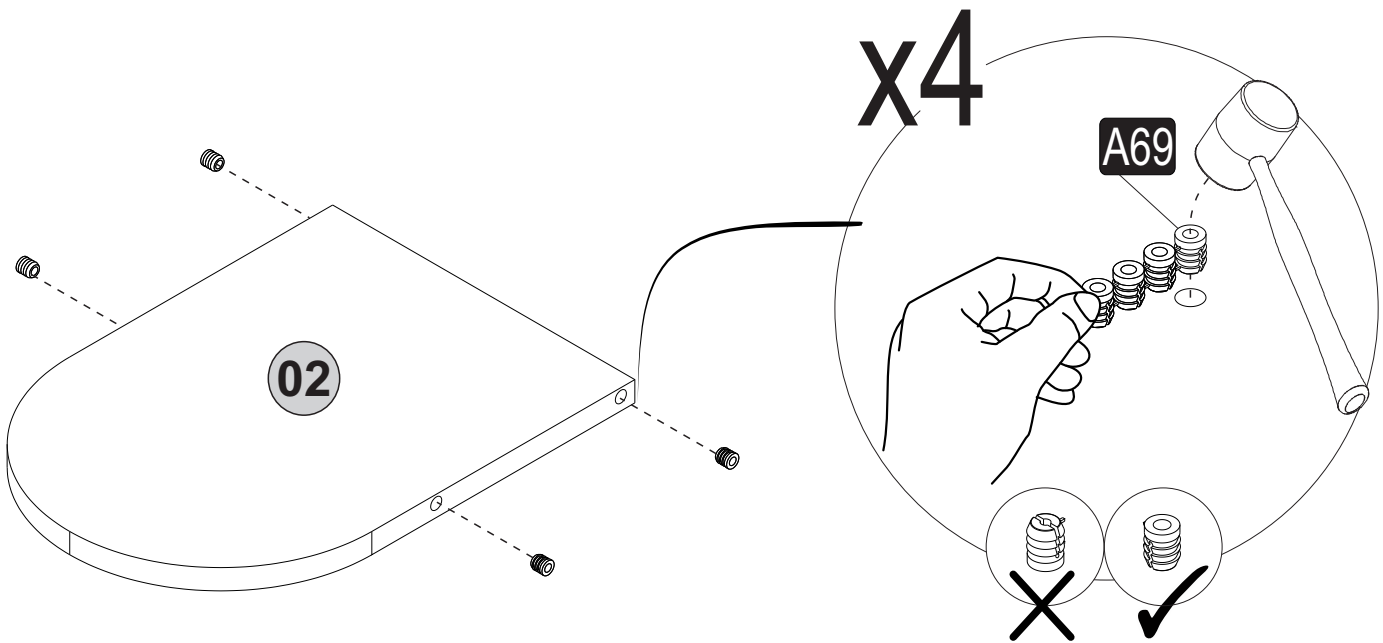
2



3



4



5

