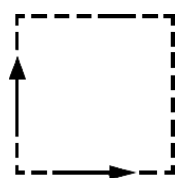
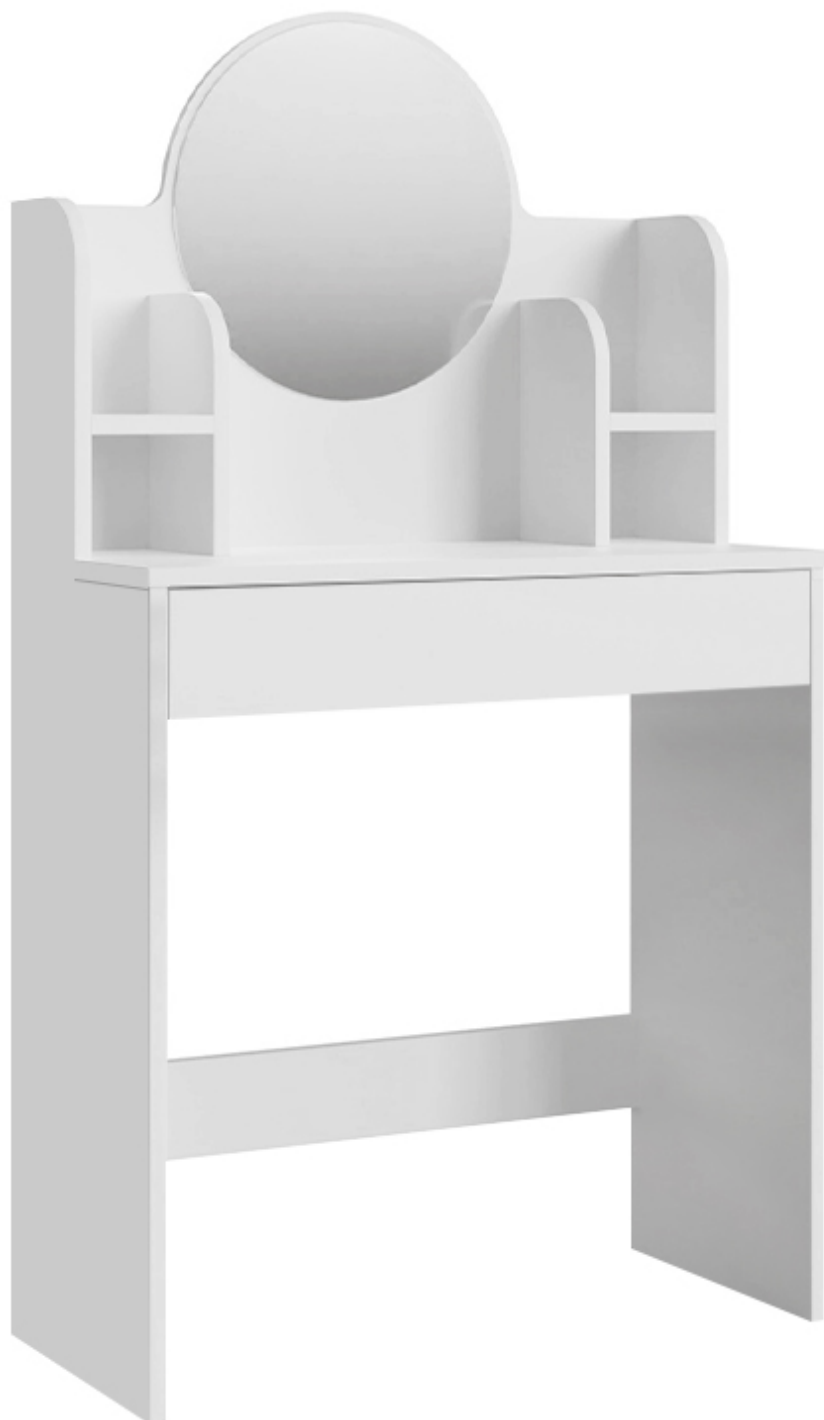
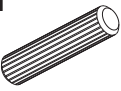
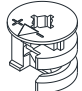
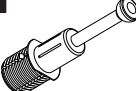


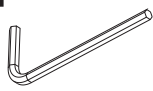


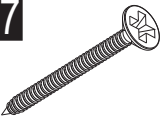
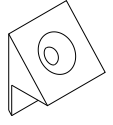
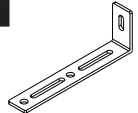
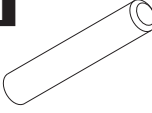
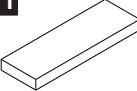
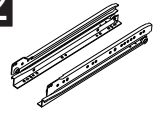


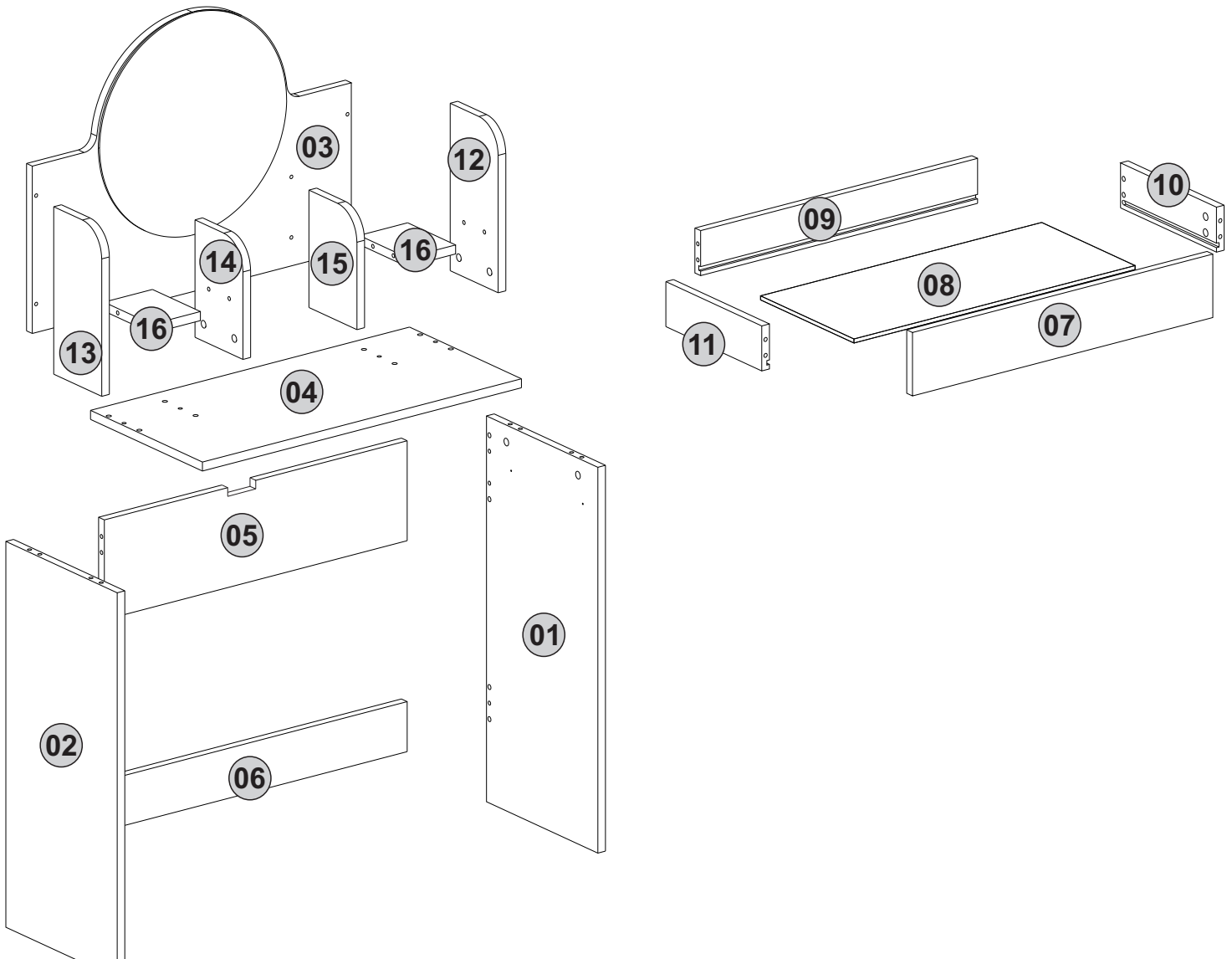
i GP037-0313,1



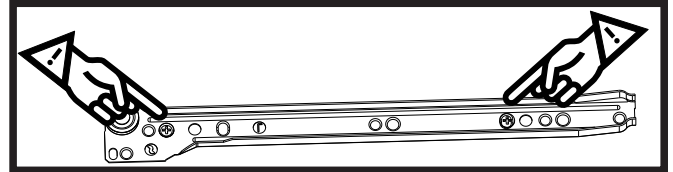
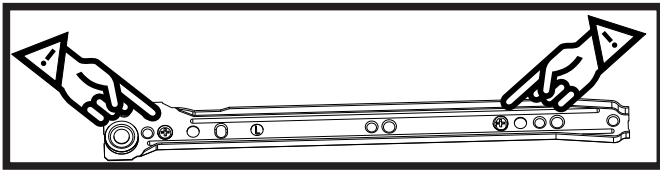
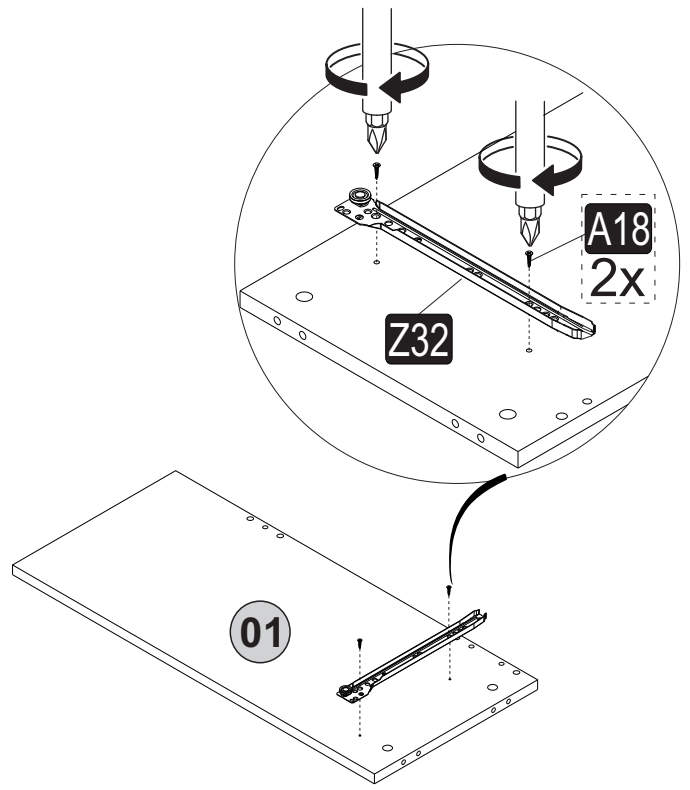
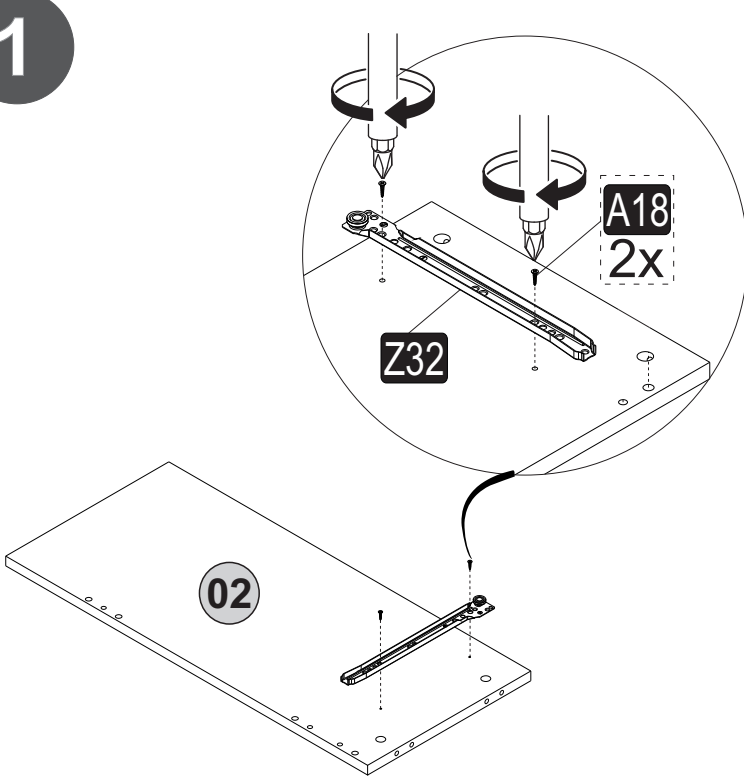
74,8 x 34,8 x 135cm

HARDWARE LIST

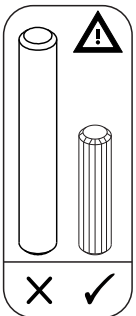
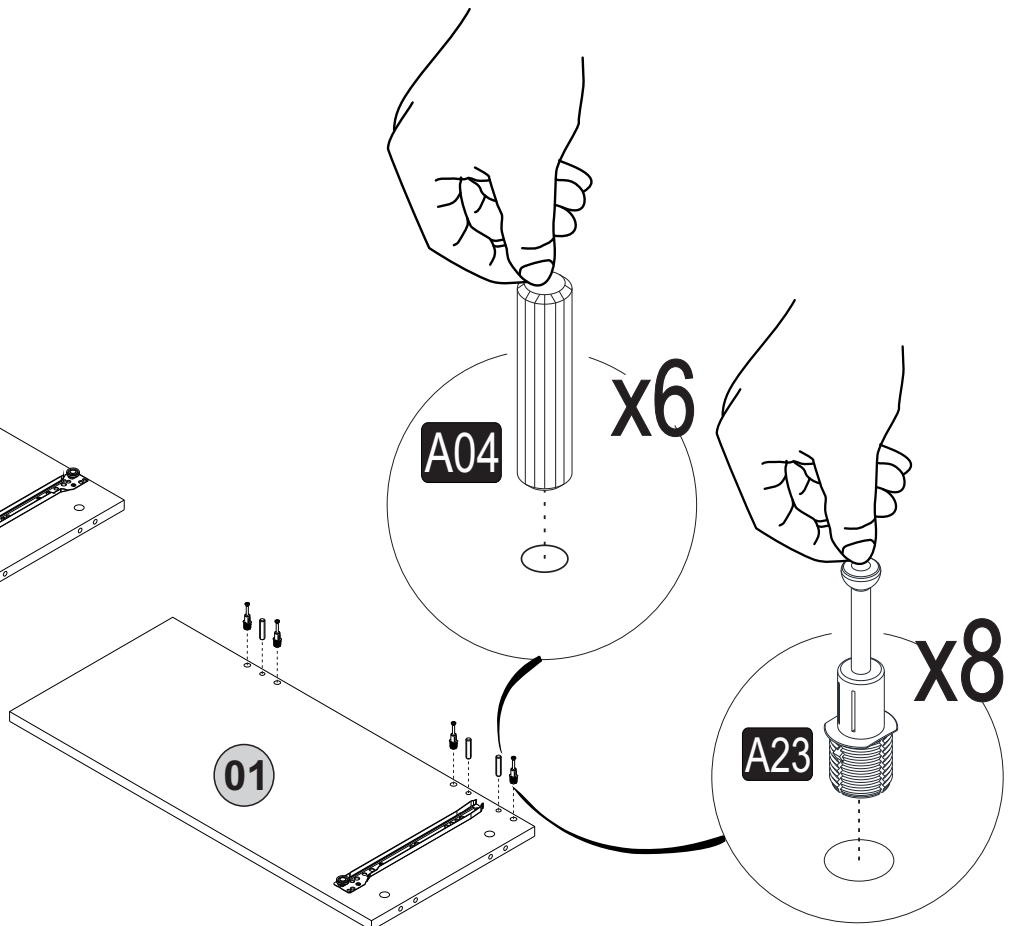
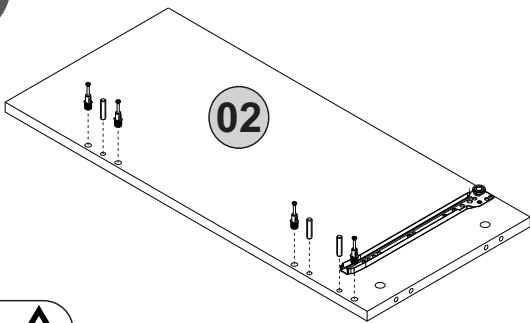
A04 Ø8x30  18x	A22 Minifix k18  28x	A23 Minifix M10  28x	A06 18mm  C1-36x	A16 DbØ8  1x
A12 Allen  1x	A13 50mm  8x	A18 3,5x18  14x	A17 4X50  1x	A25 ARK.PL  4x
A87 15x90x30  1x	A41 Ø8x55  2x	PB01 Kece  4x	Z32 Krt300  1x	



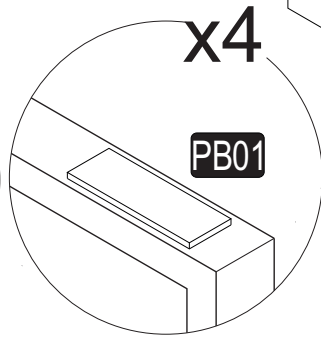
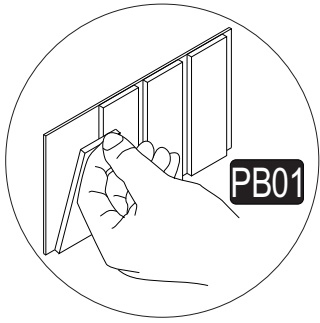
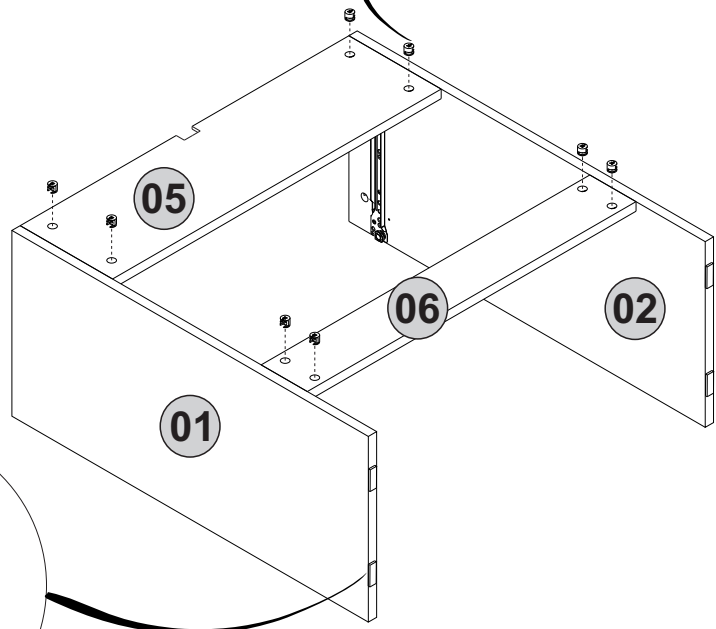
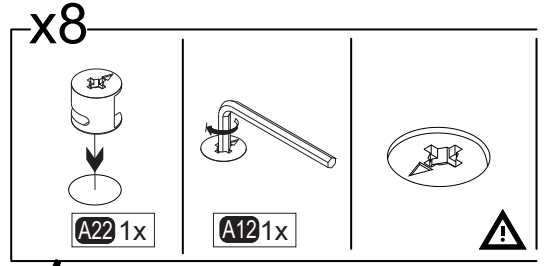
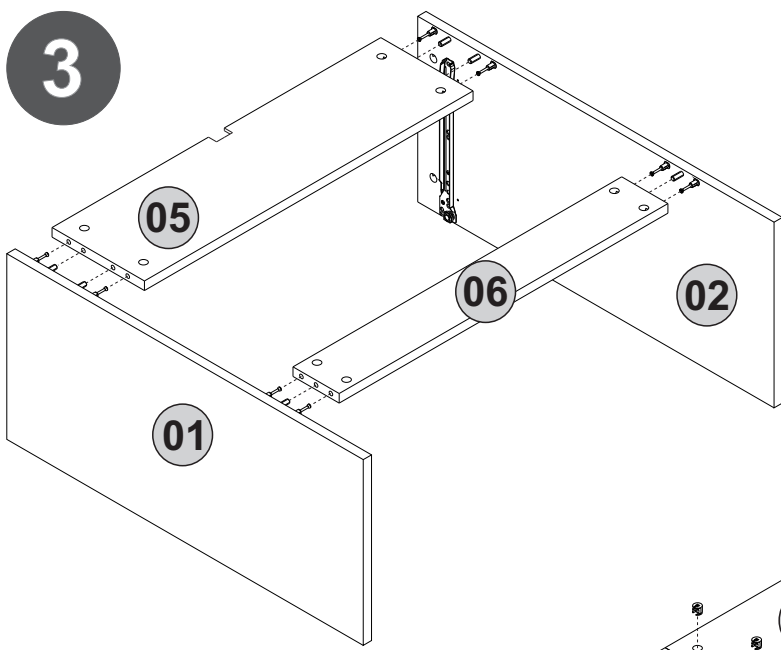
1



2



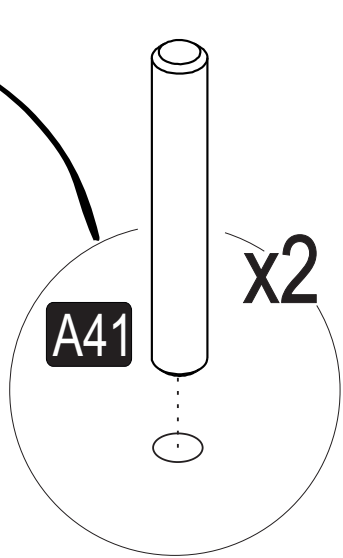
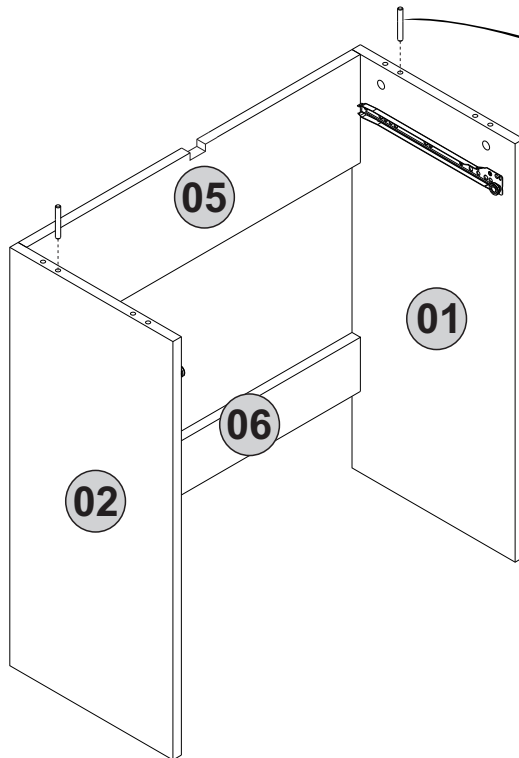
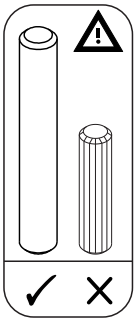
3



x4

PB01

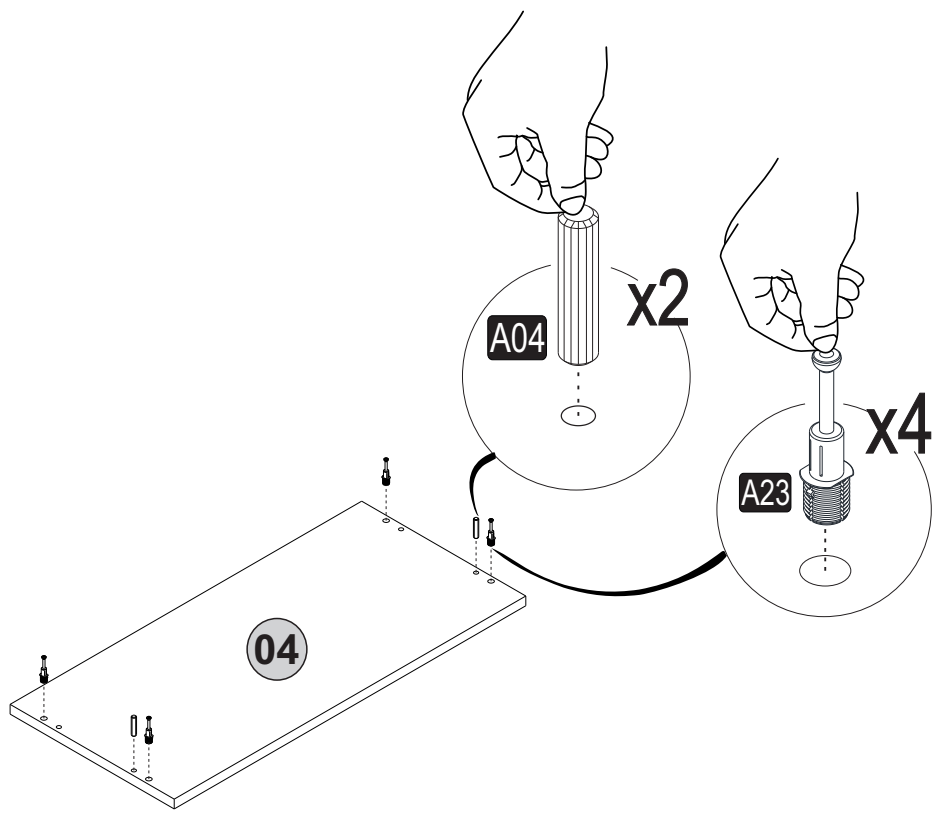
4



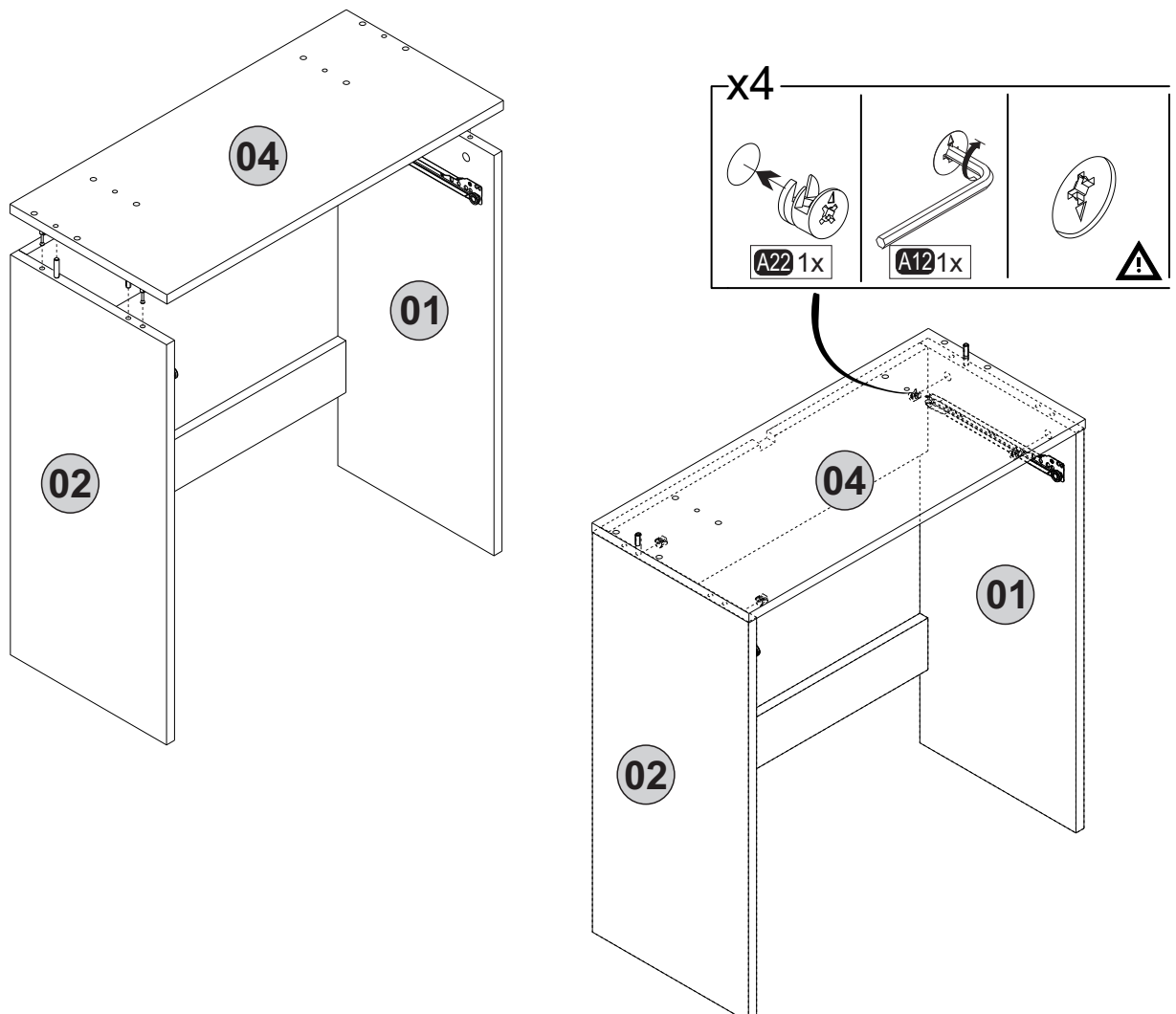
A41

x2

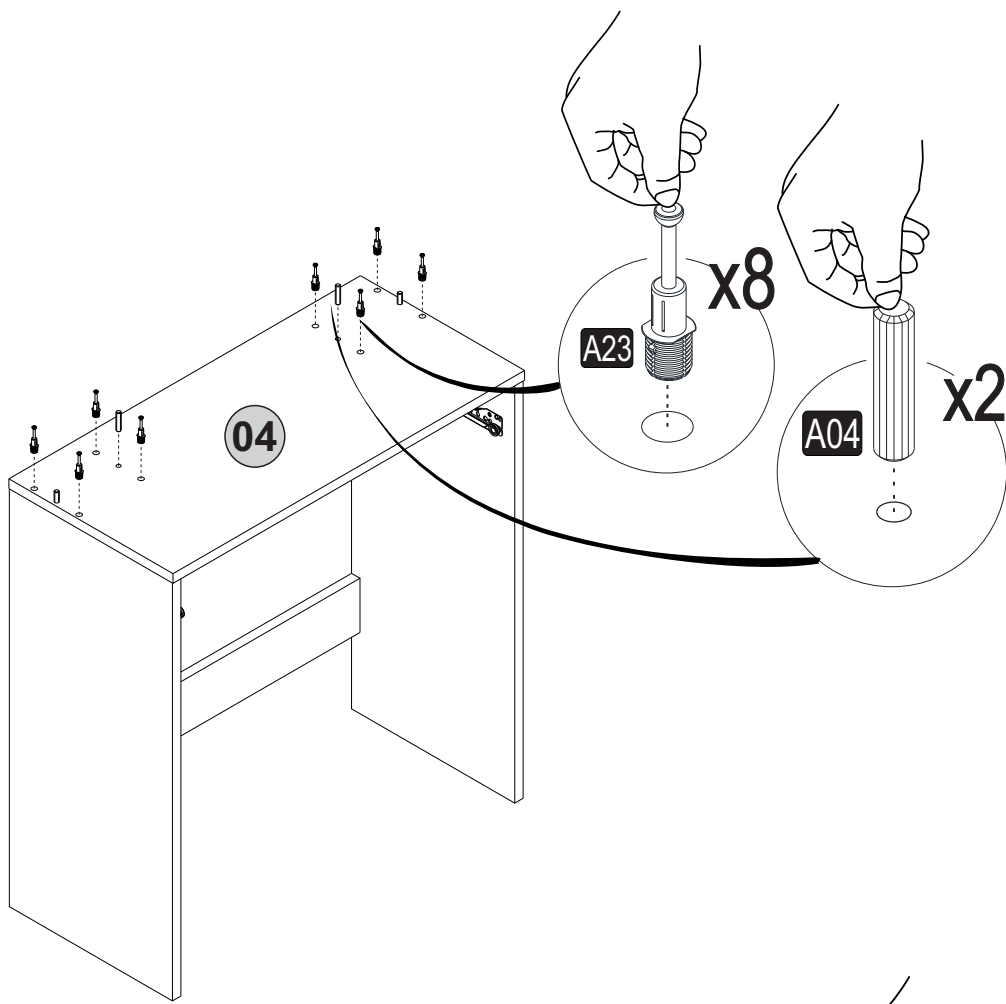
5



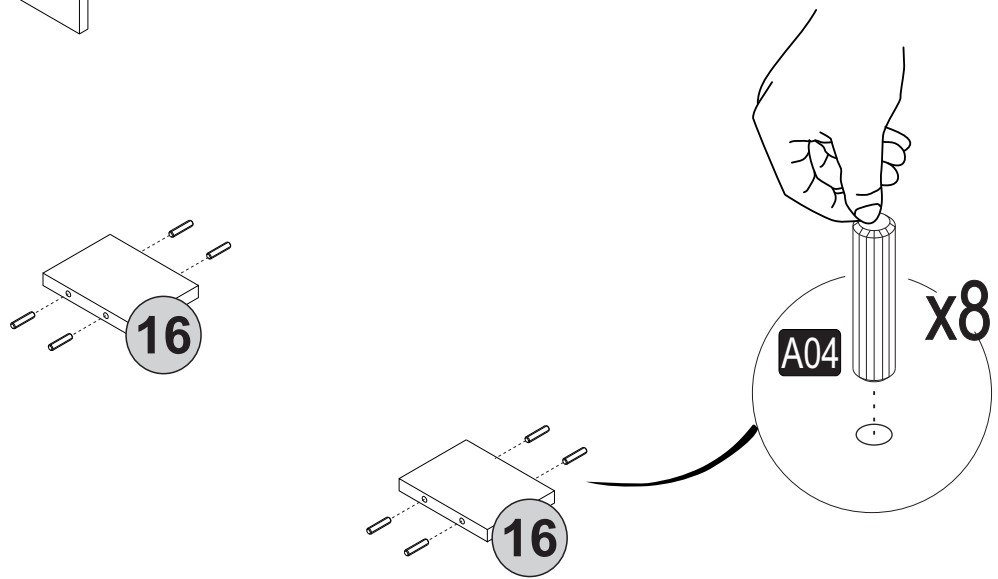
6



7



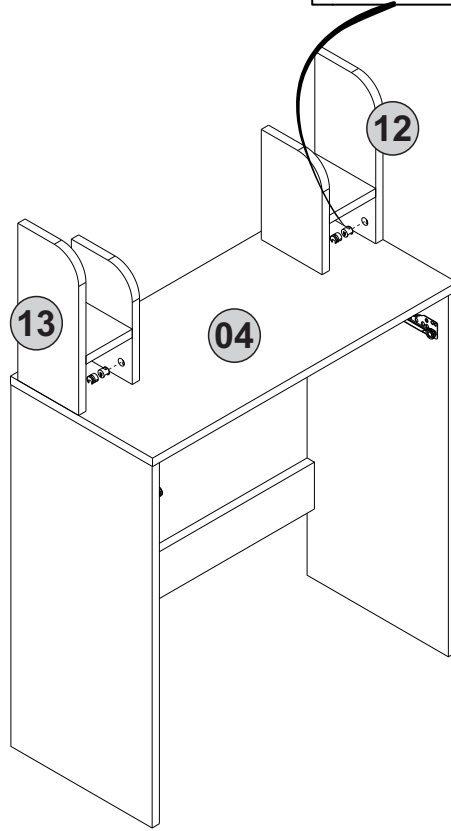
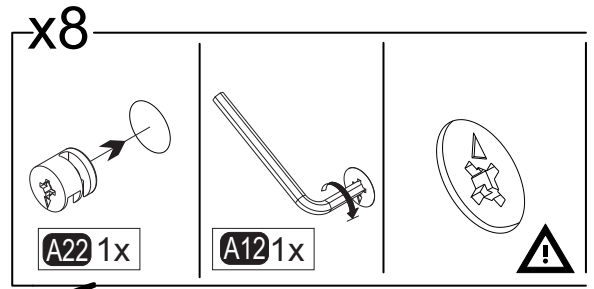
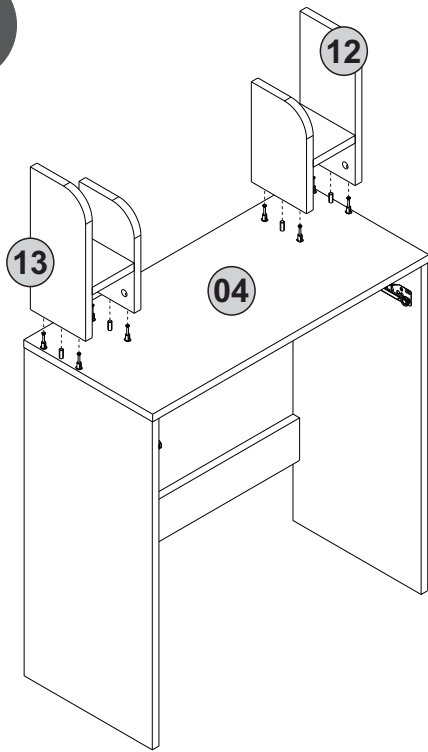
8



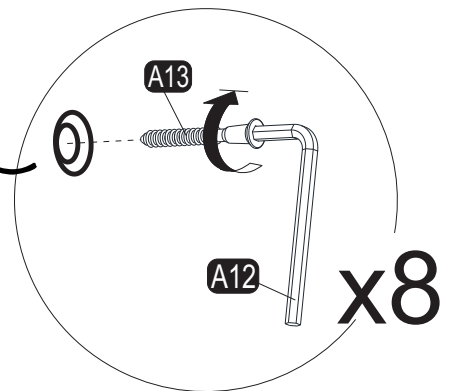
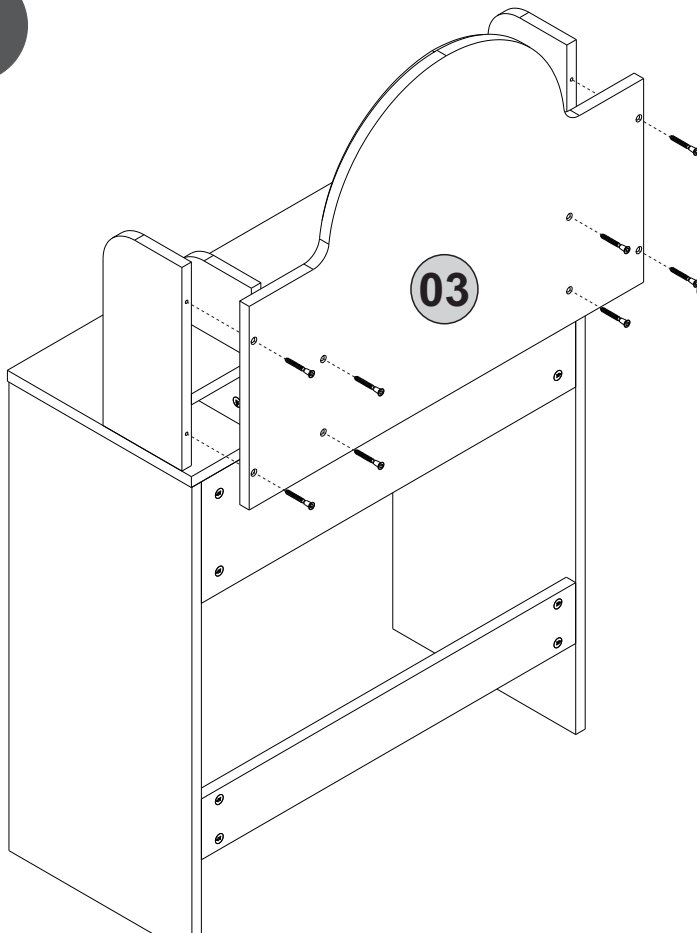
9



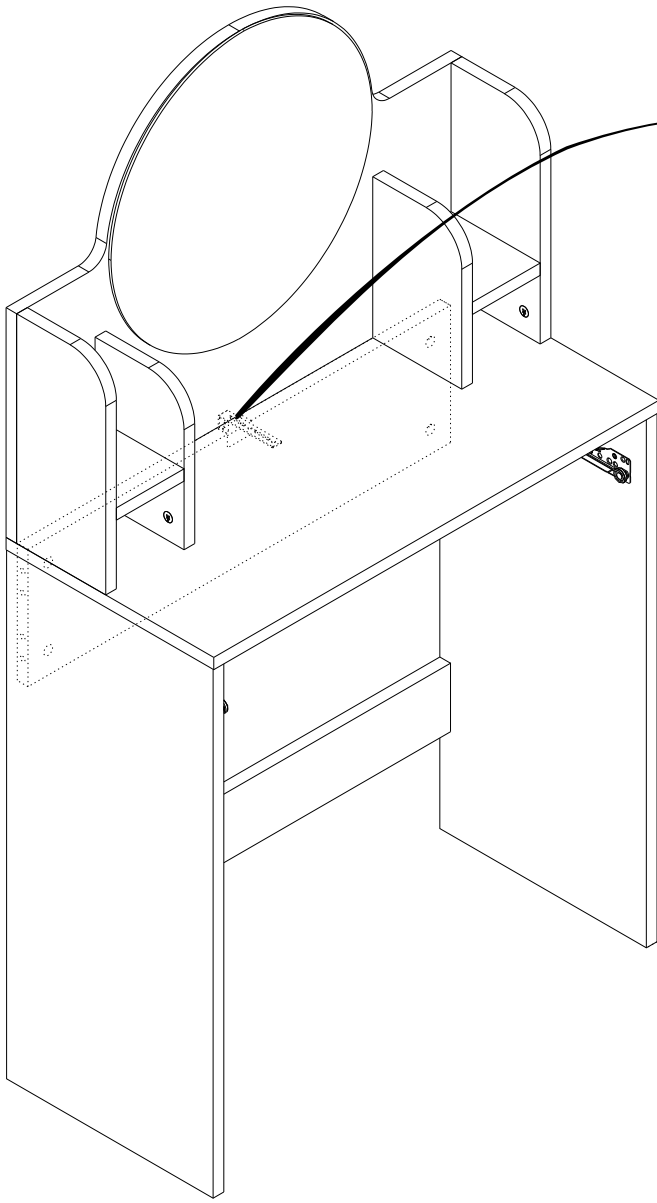
10



11



12



x1

1x
A87

1

x1

2

x1

3

A16
x1

x1

4

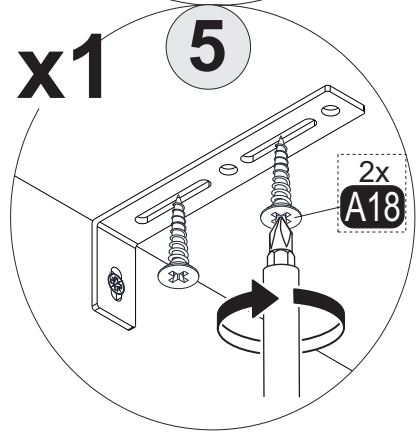
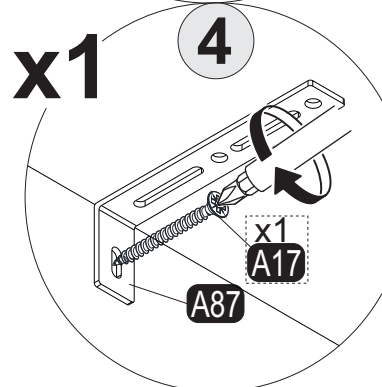
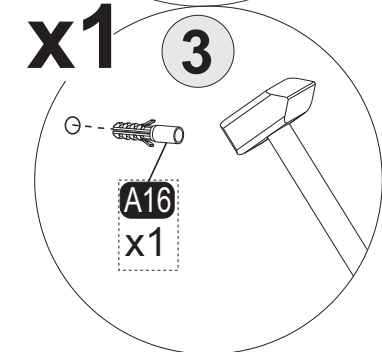
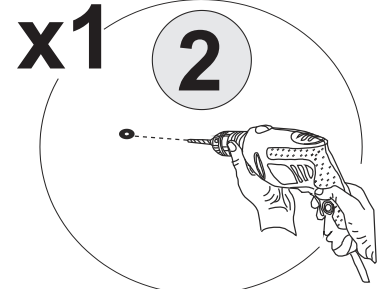
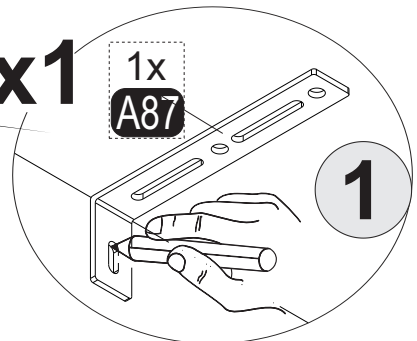
x1
A17

A87

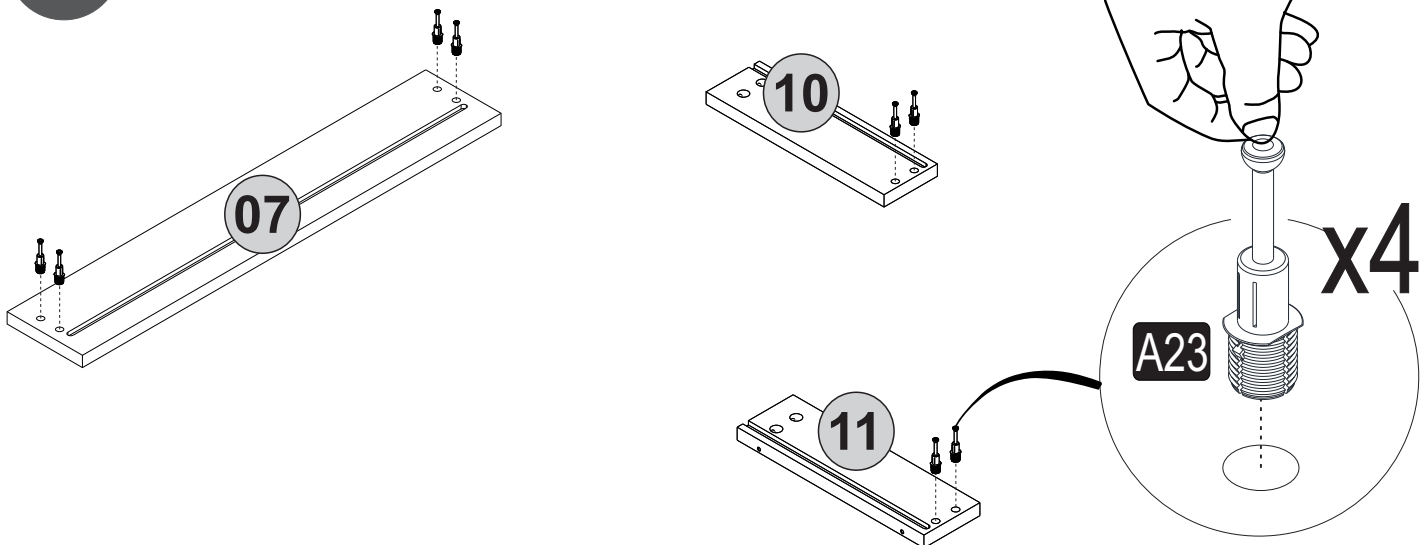
x1

5

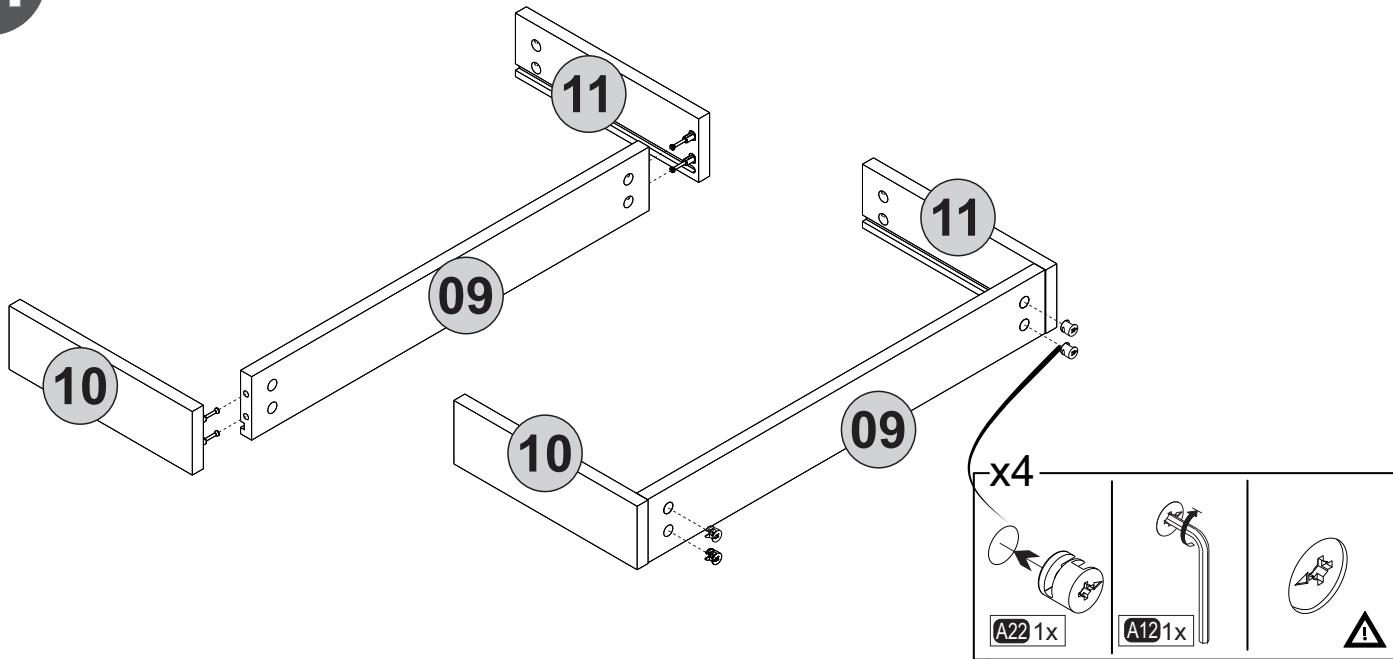
2x
A18



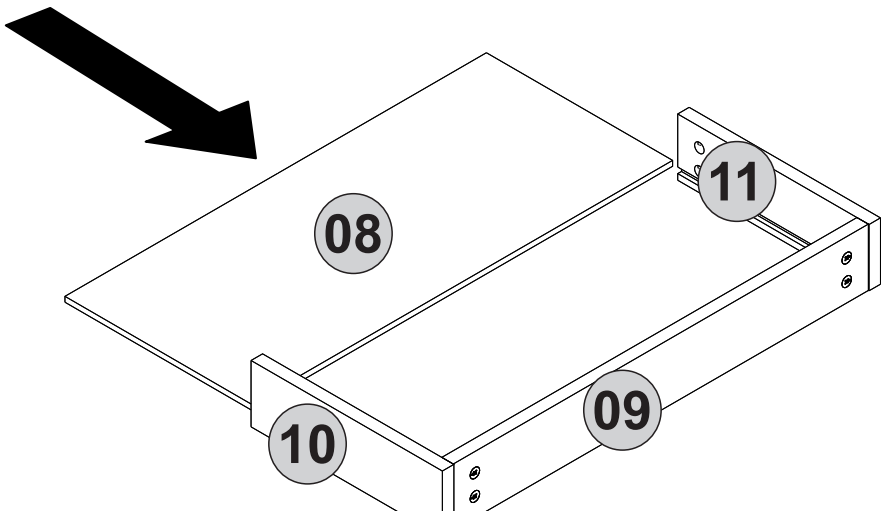
13



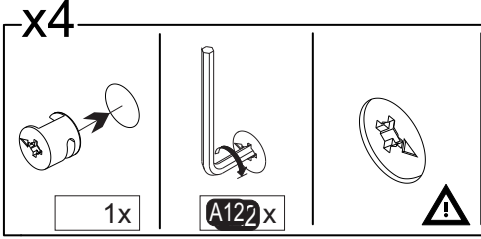
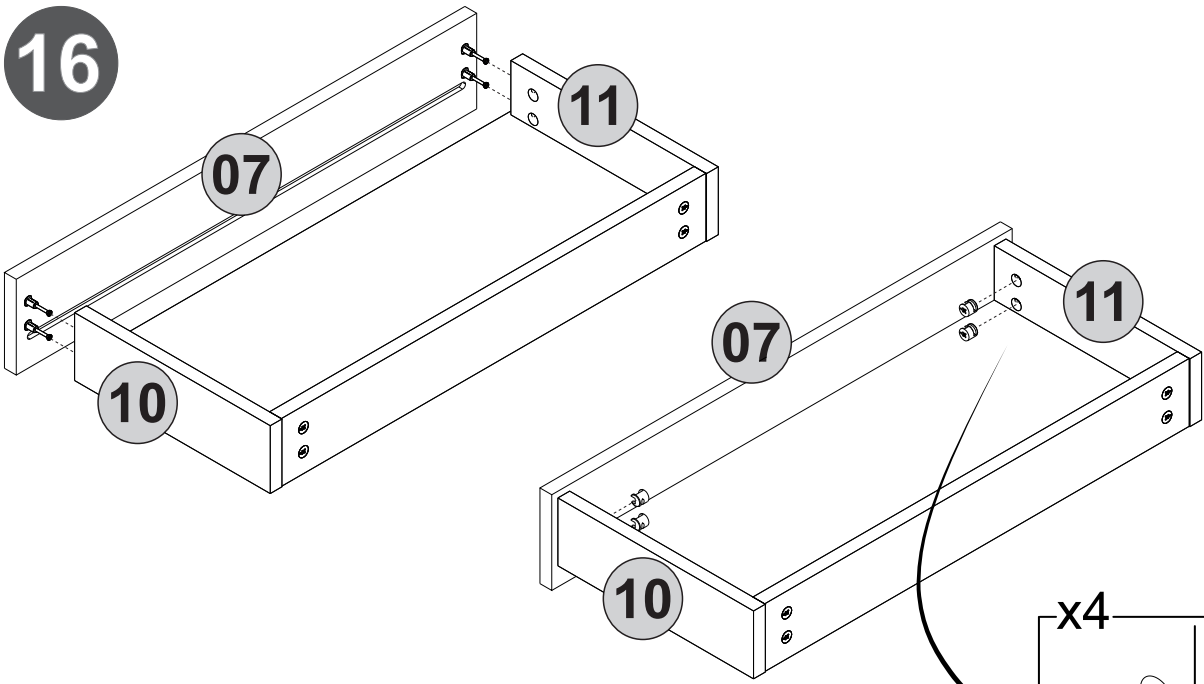
14



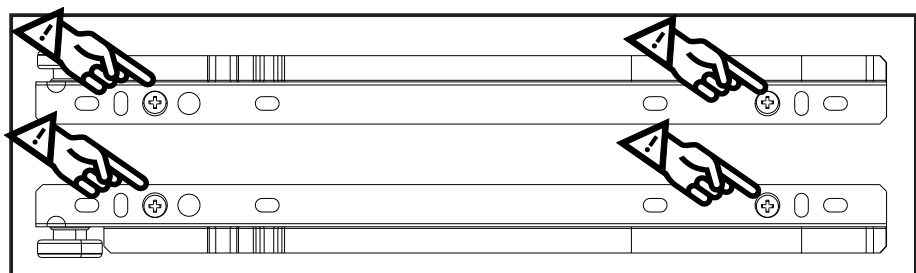
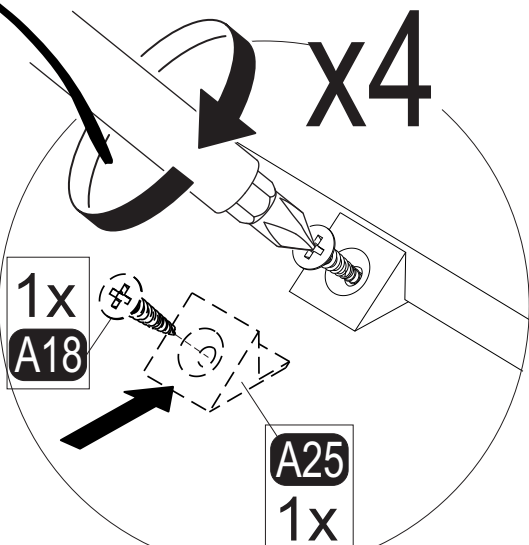
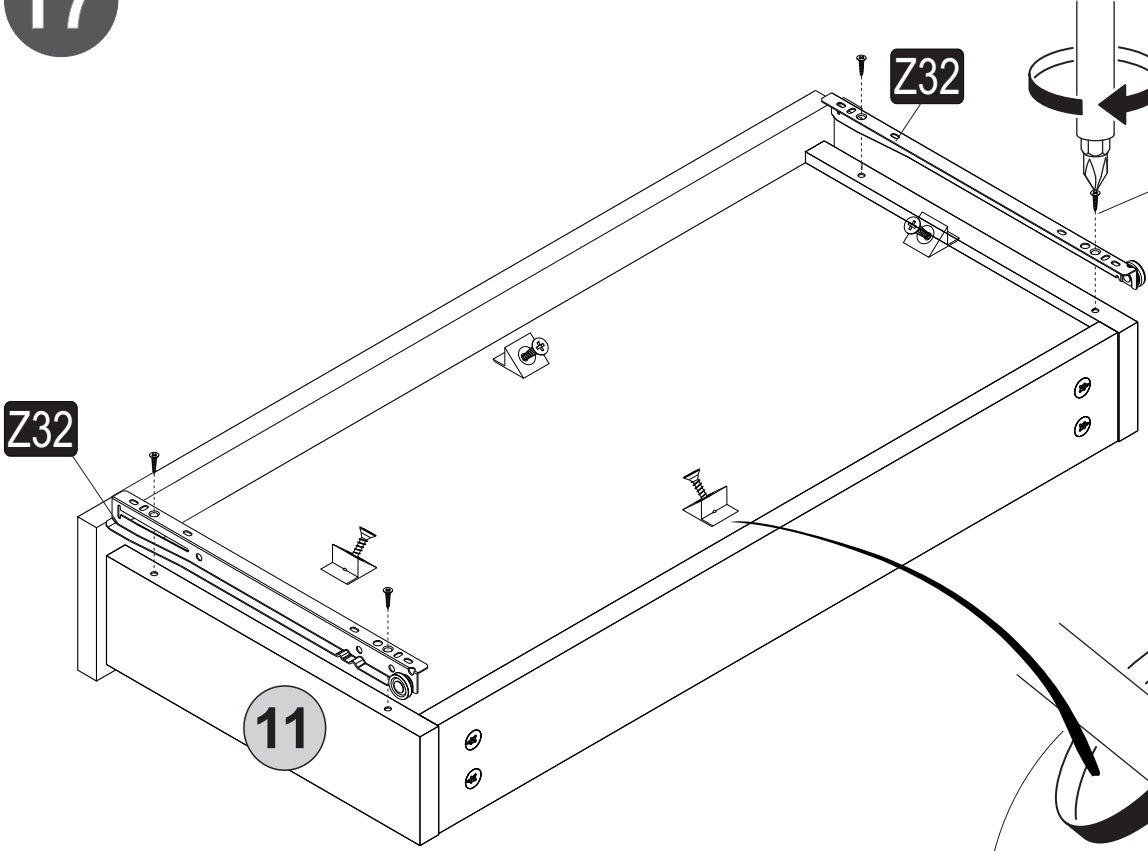
15

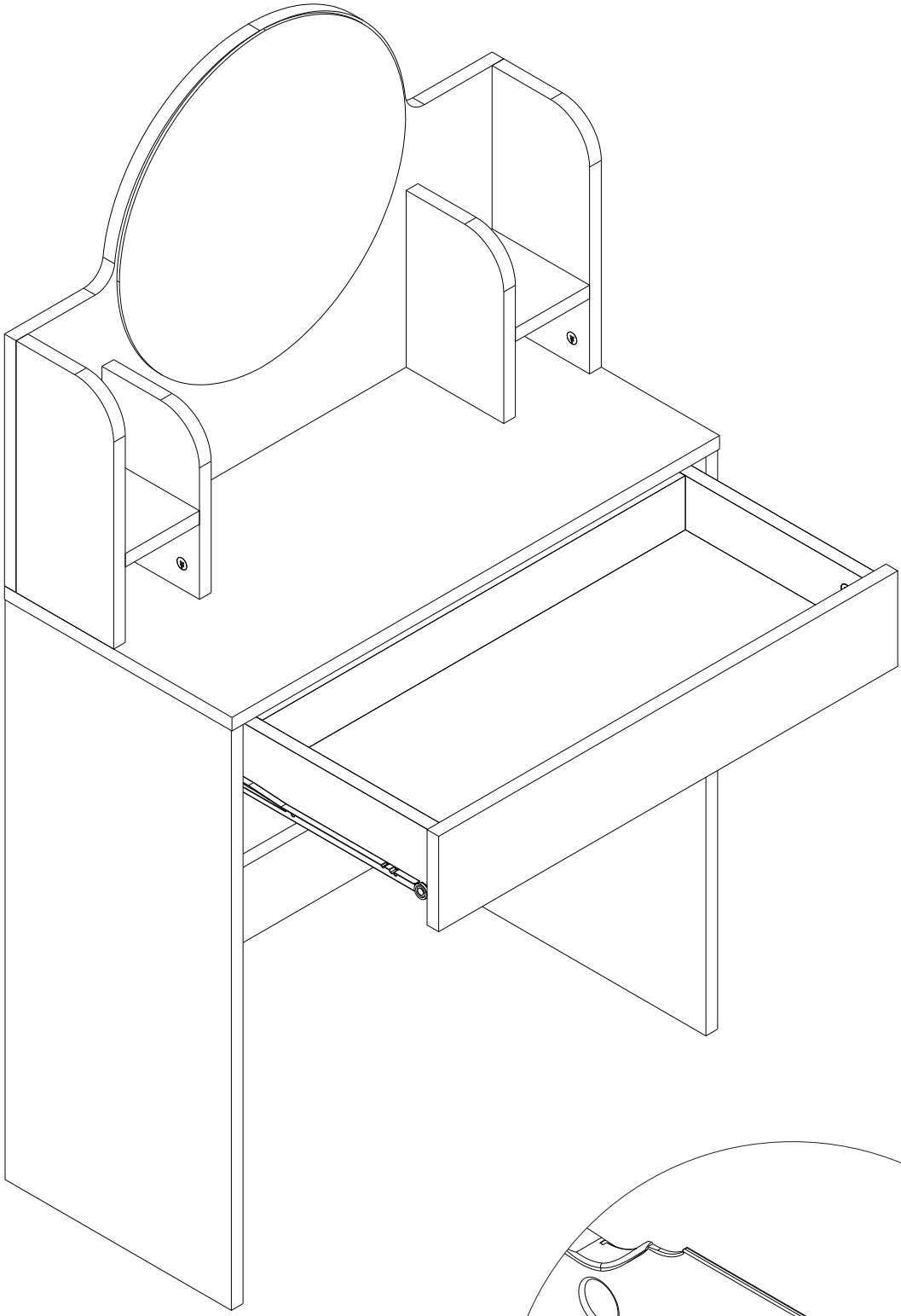


16



17





Place a round sticker A06 over each minifix and screw on the dressing table

