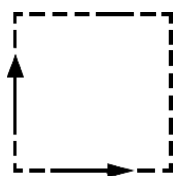


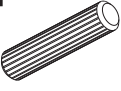

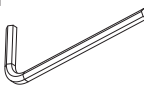

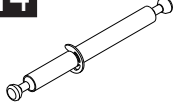



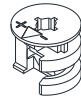
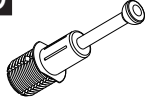
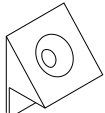
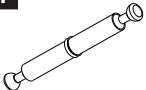
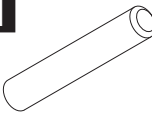
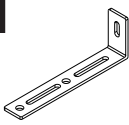
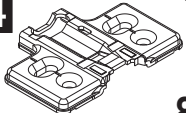
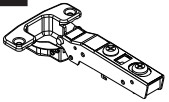
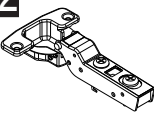
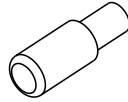
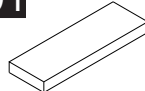


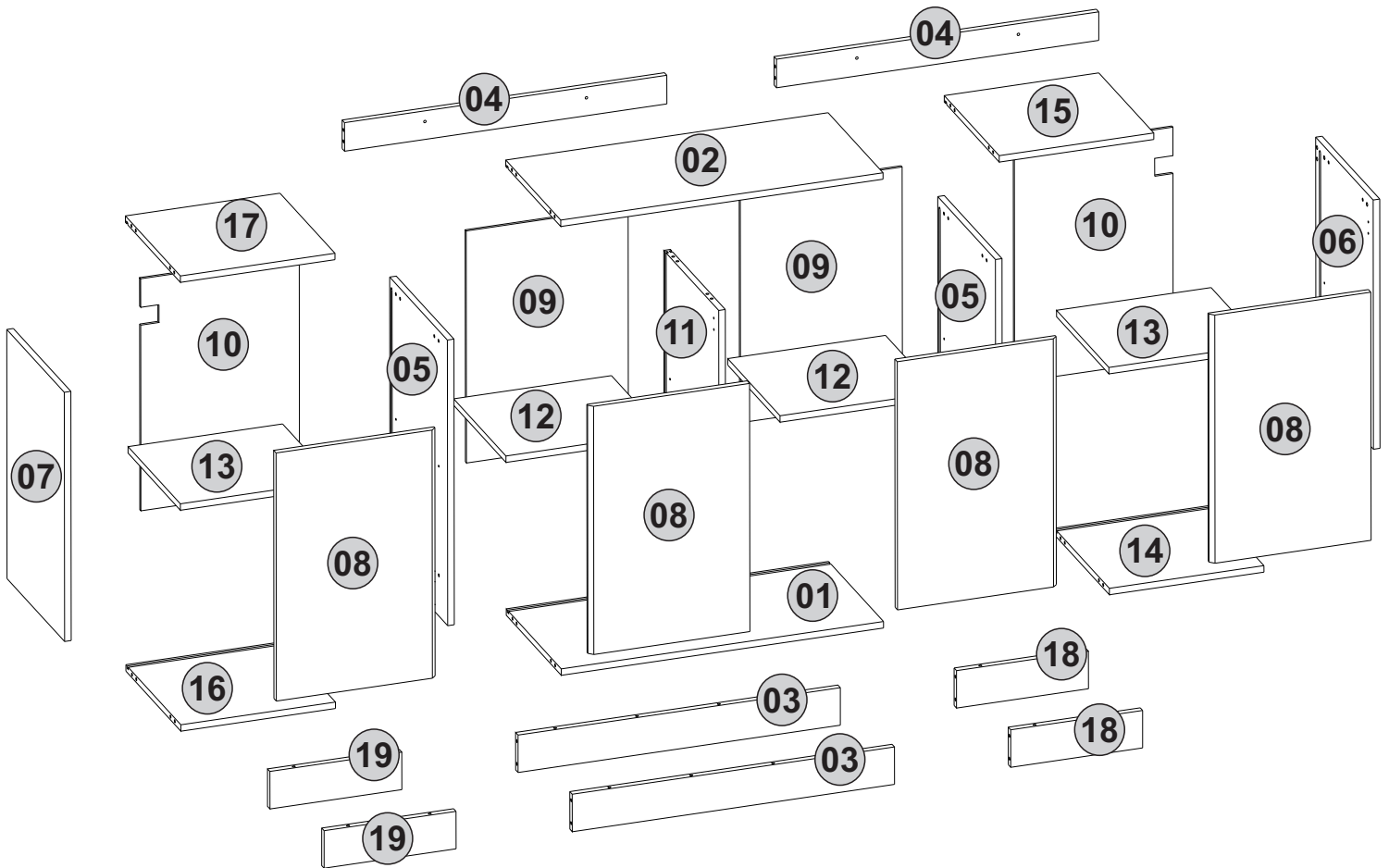
GP037-0293,1



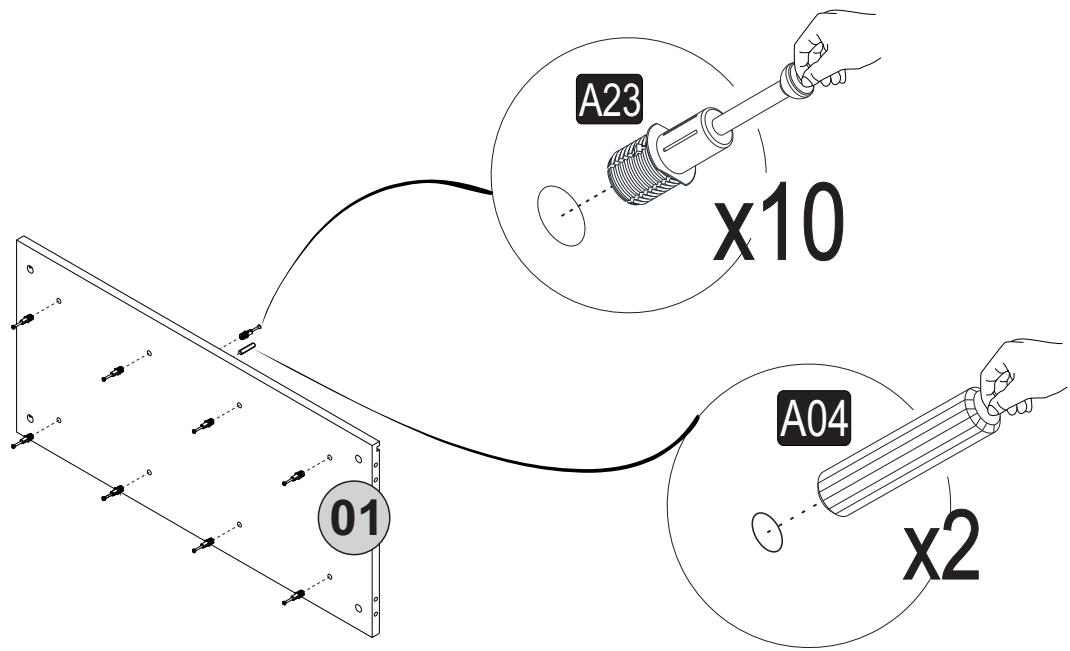
180 x 45 x 80,2cm

HARDWARE LIST

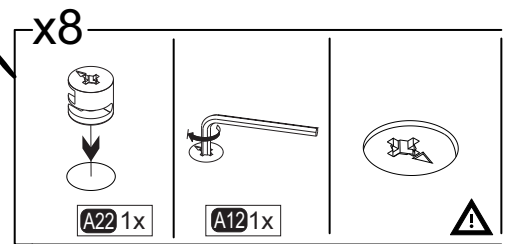
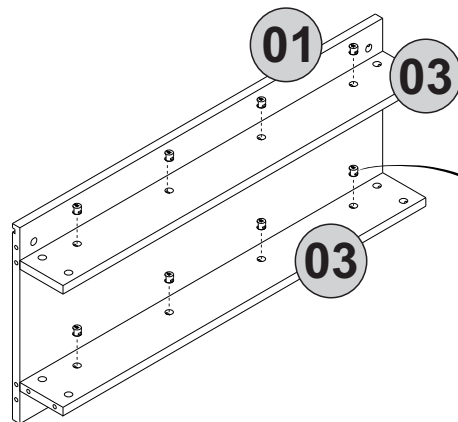
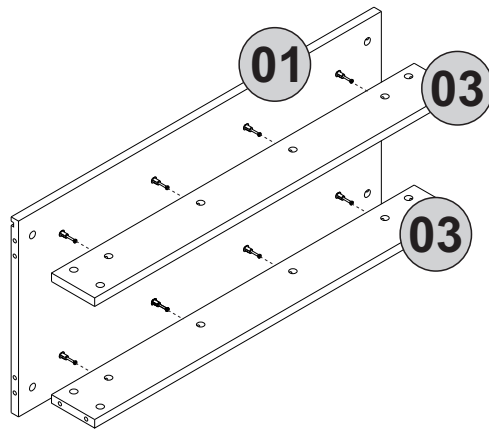
A04  Ø8x30 12x	A06  18mm C1-12x C2-60x 2x	A12  Allen 1x	A13  50mm 4x	A14  DFM6-86 16x
A16  DbØ8 2x	A17  4x50 2x	A18  3,5x18 64x	A22  Minifix k18 68x	A23  Minifix M10 32x
A25  ARK.PL 12x	A31  DFM6-68 2x	A41  Ø8x55 8x	A87  15x90x30 2x	C34  MA 8x
C31  DM 4x	C32  YM 4x	A48  Raf Pimi 16x	PB01  Kece 16x	



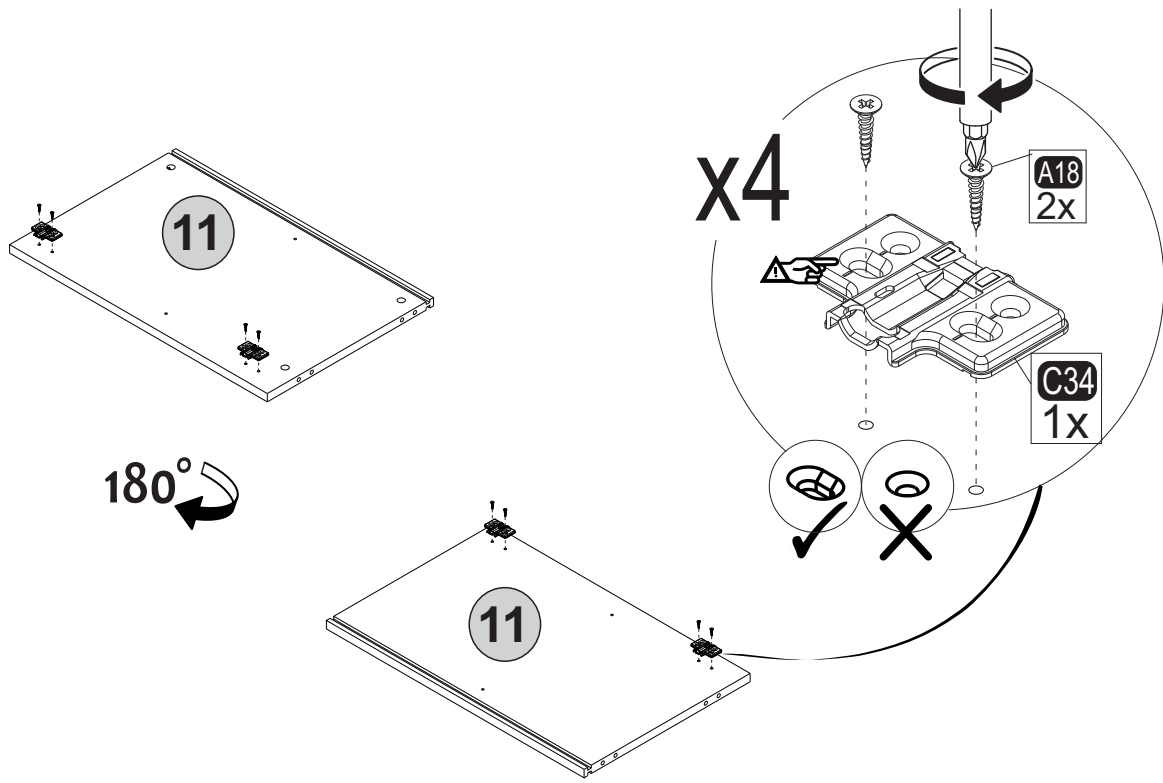
1



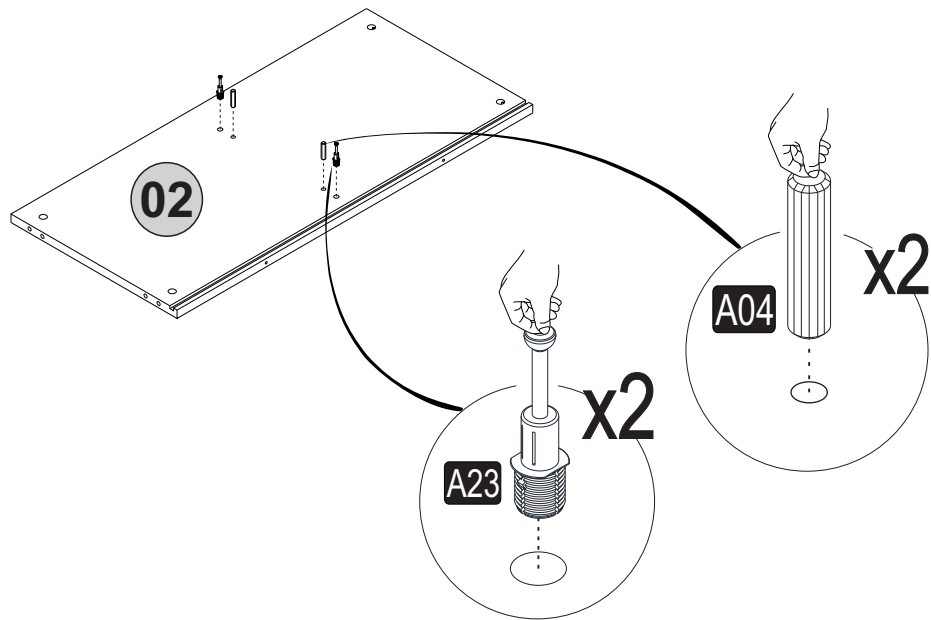
2



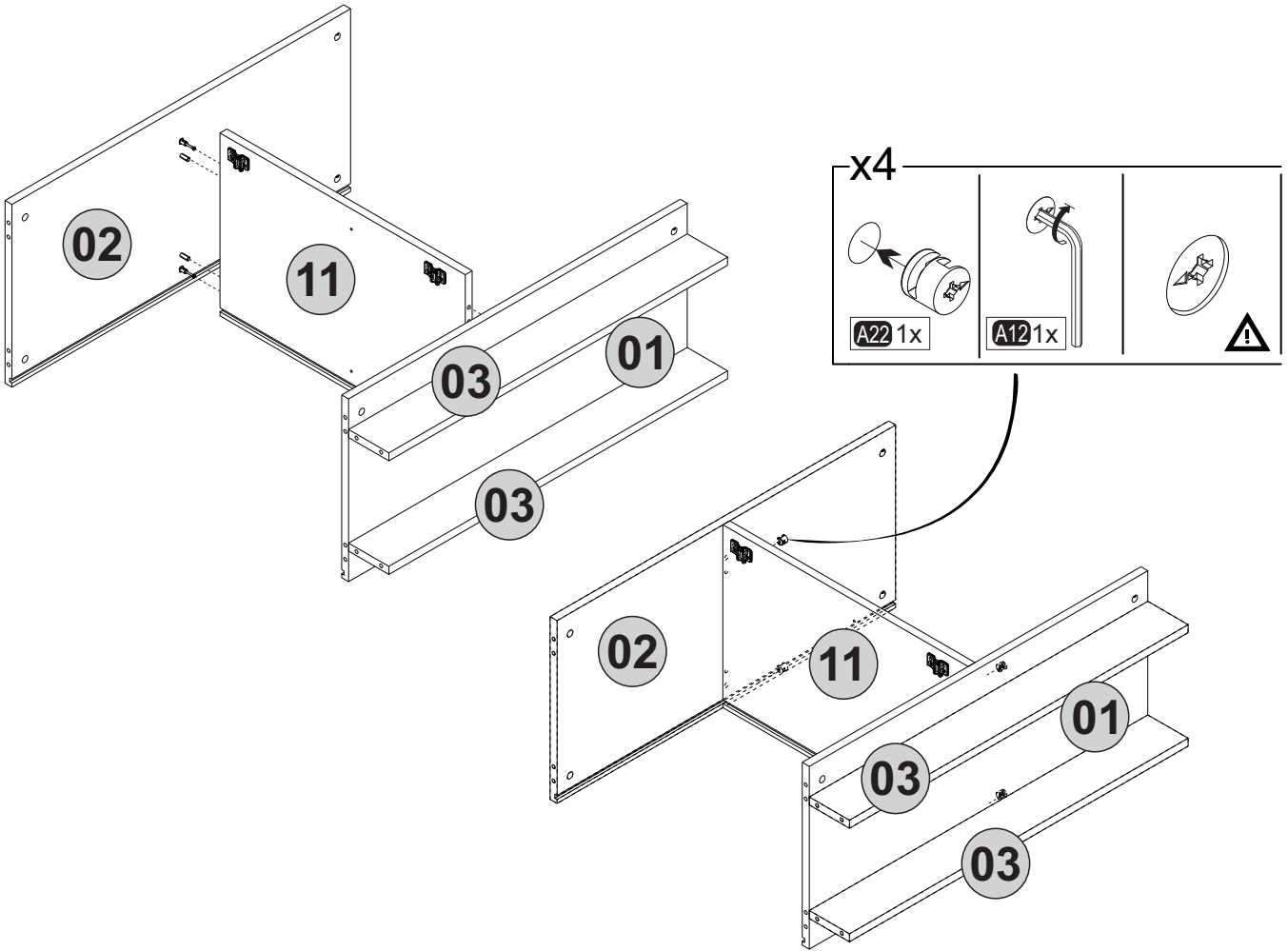
3



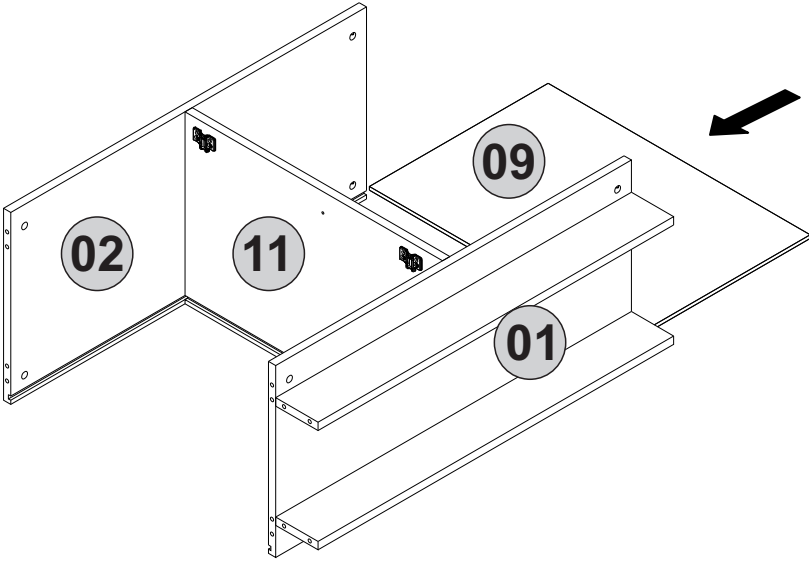
4



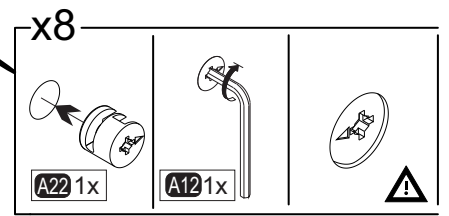
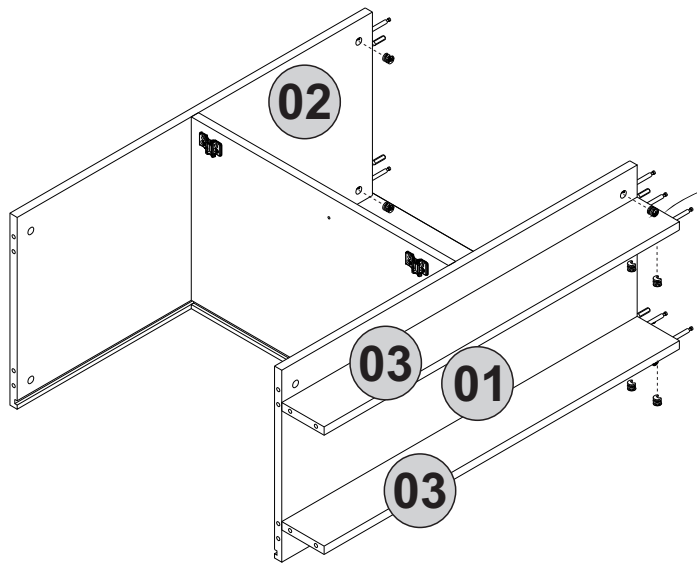
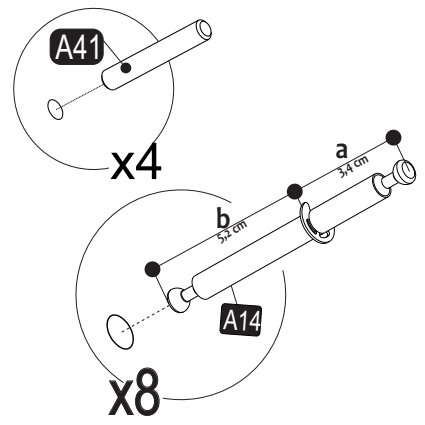
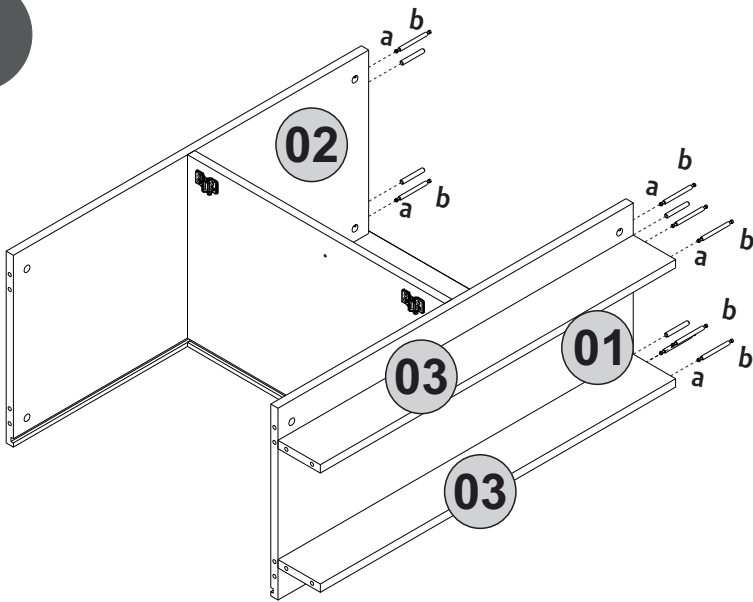
5



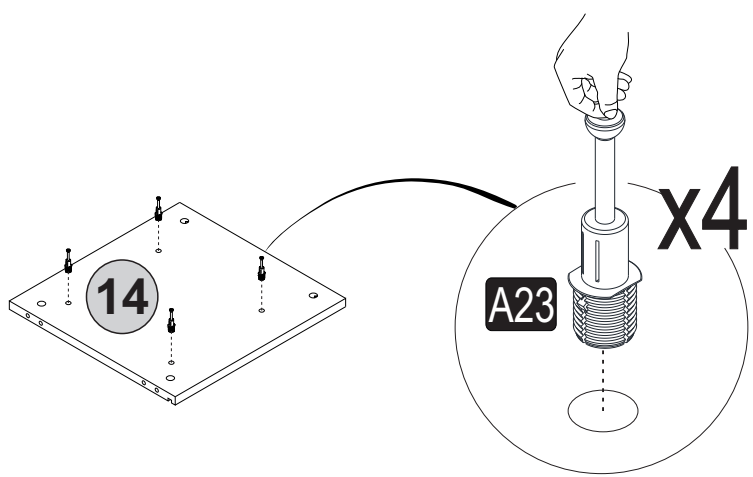
6



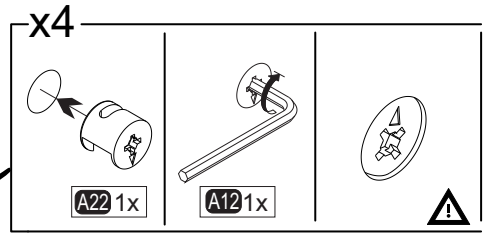
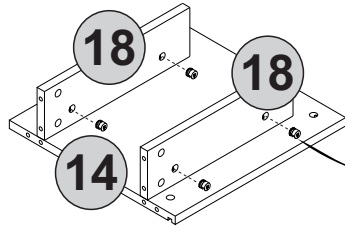
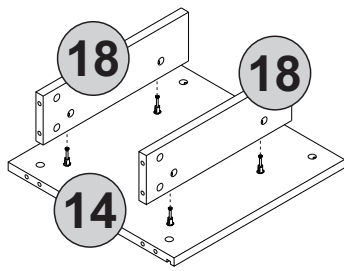
7



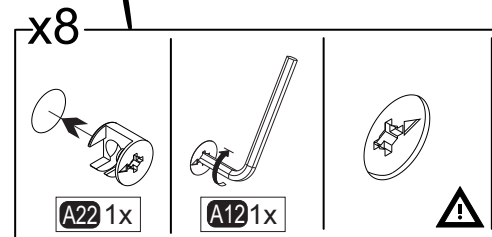
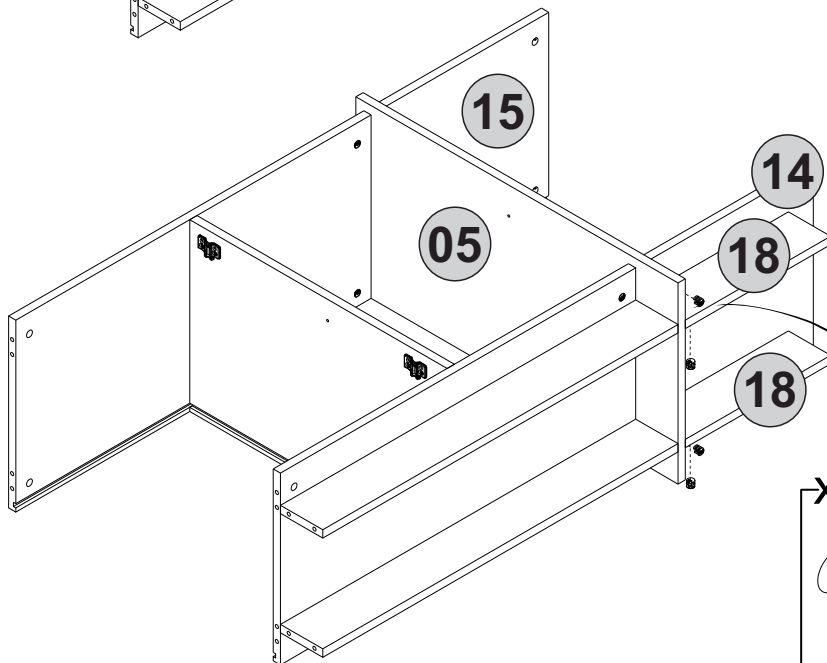
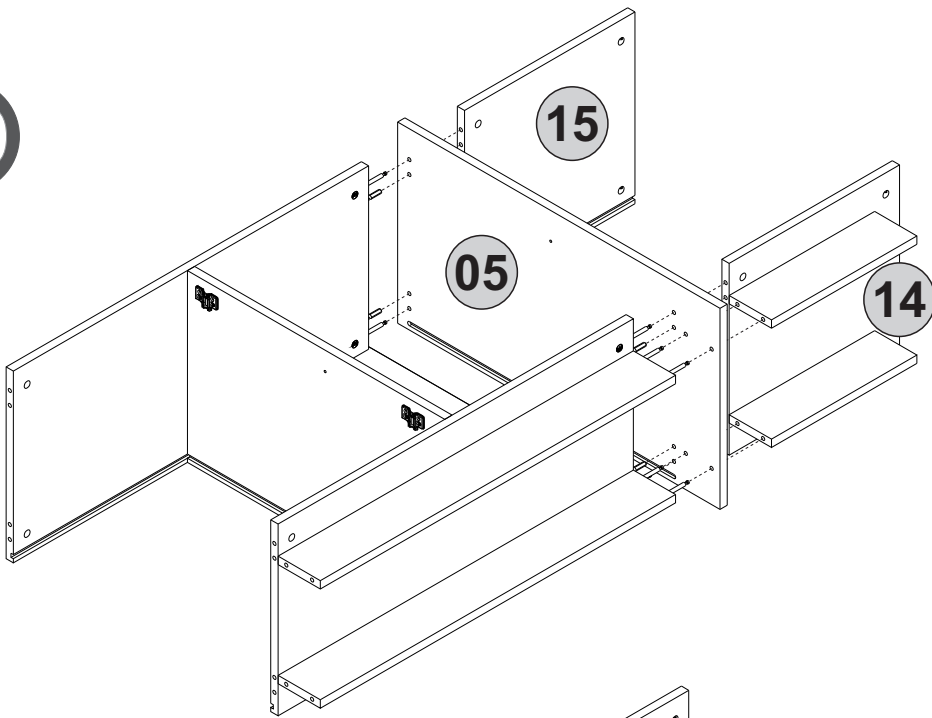
8



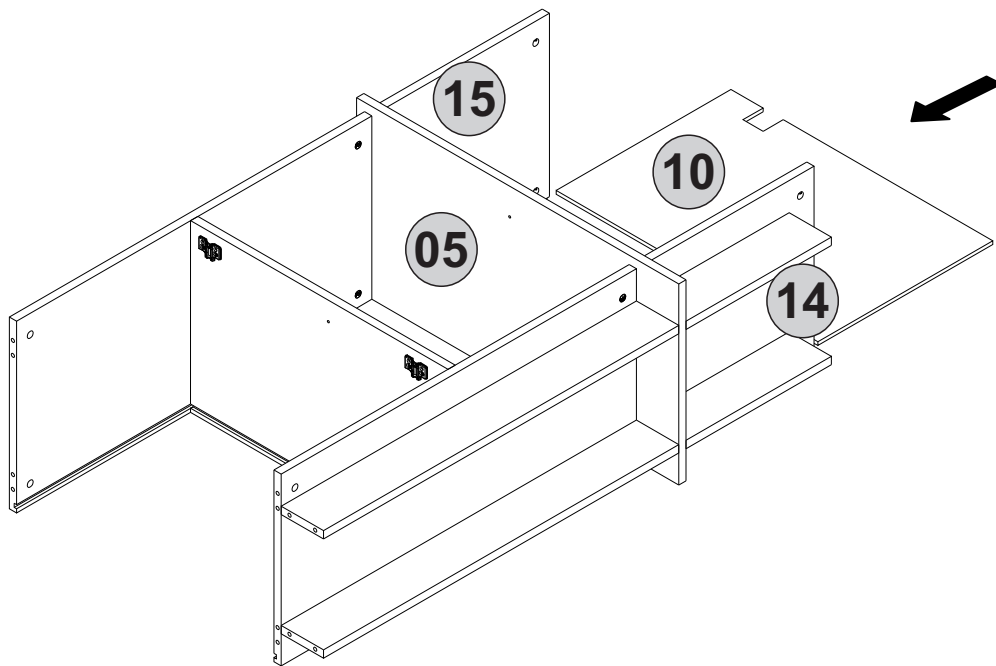
9



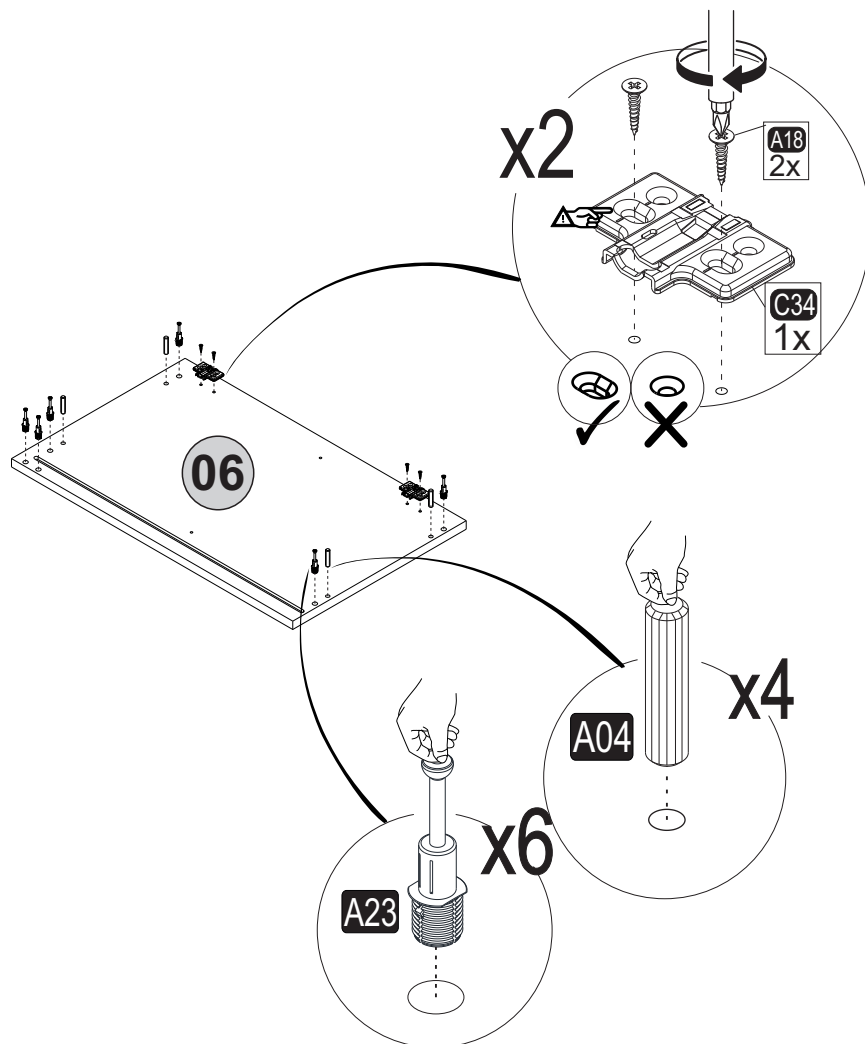
10

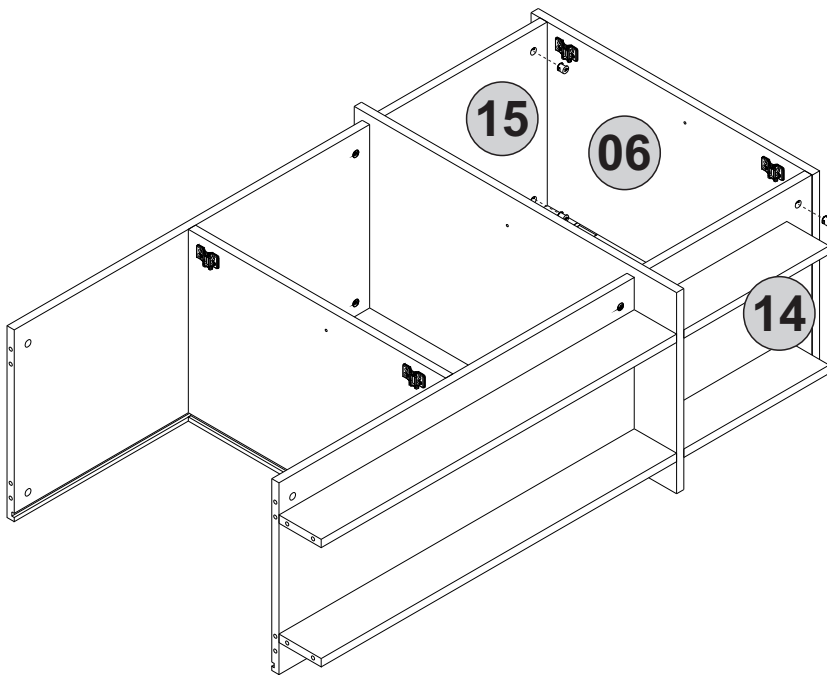
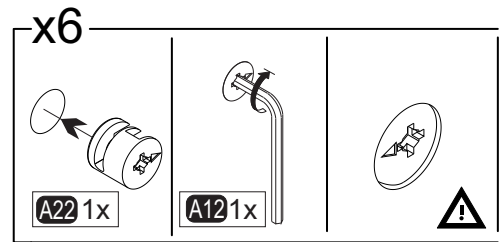
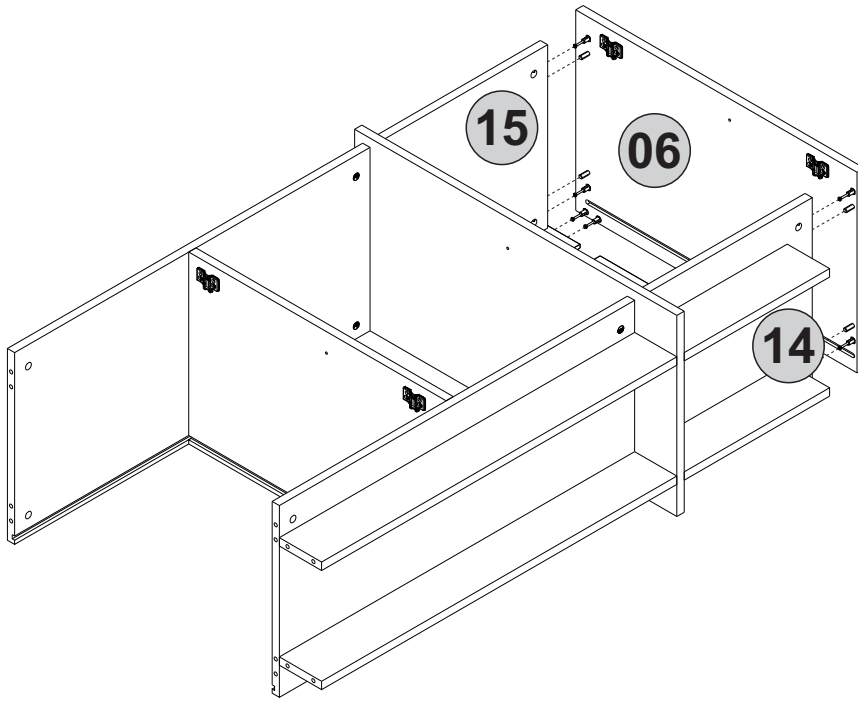


11

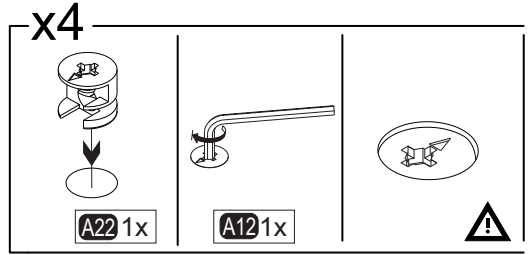
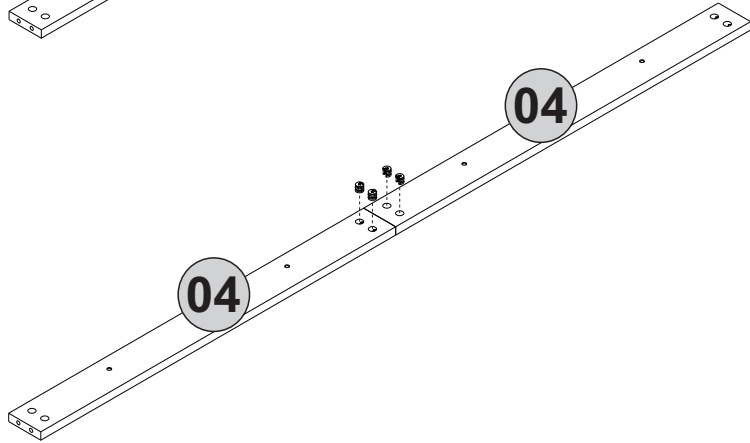
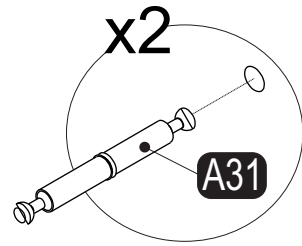
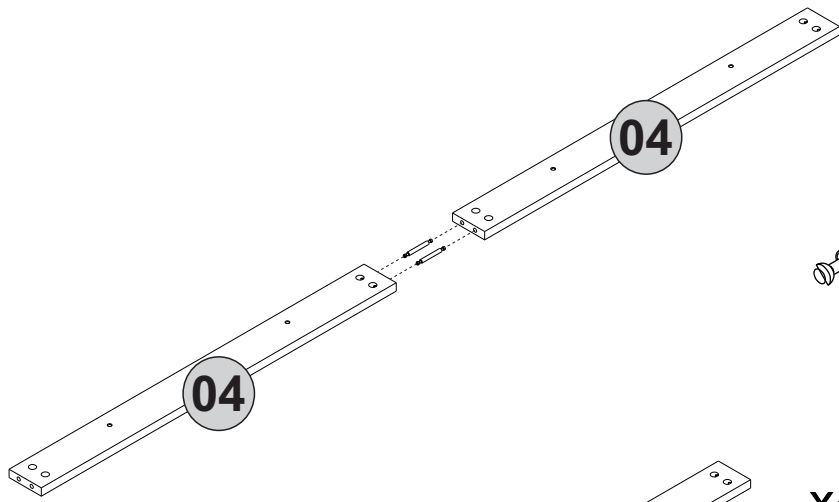


12

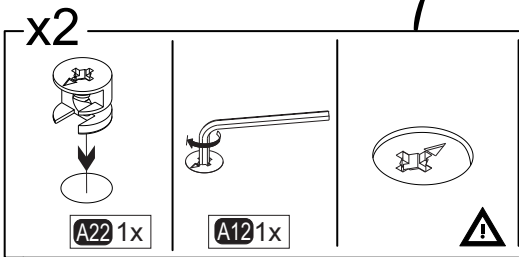
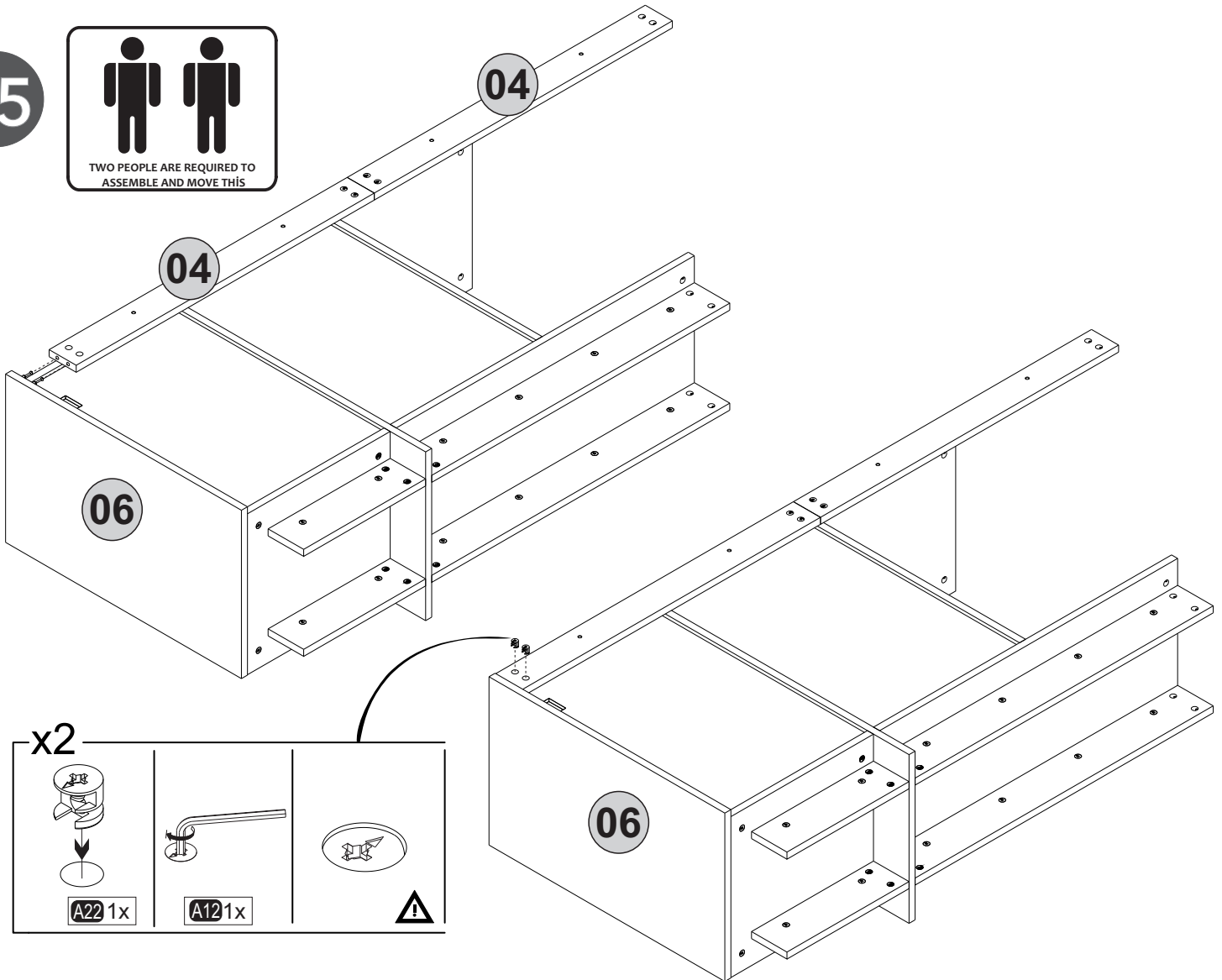




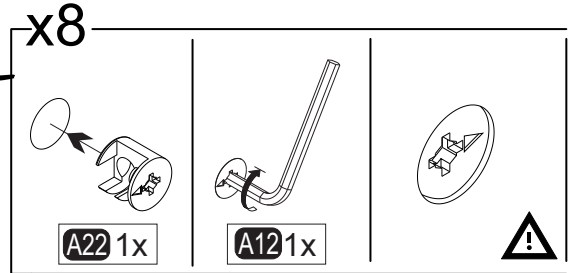
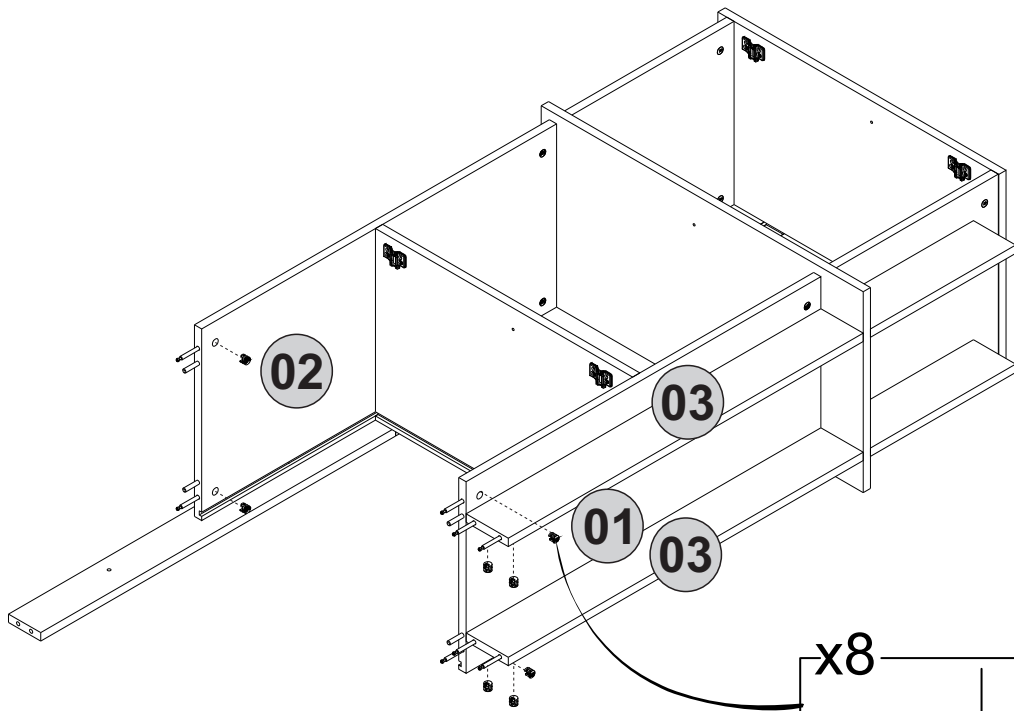
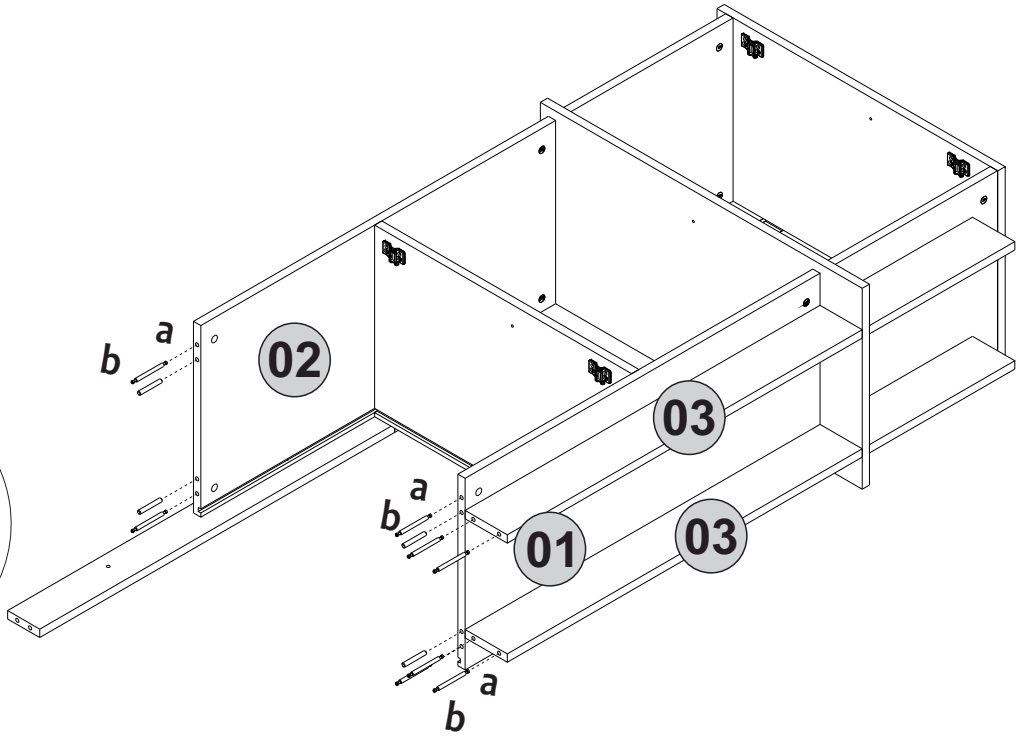
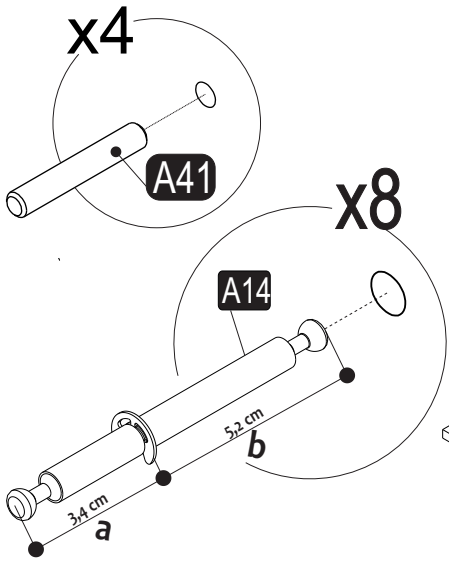
14



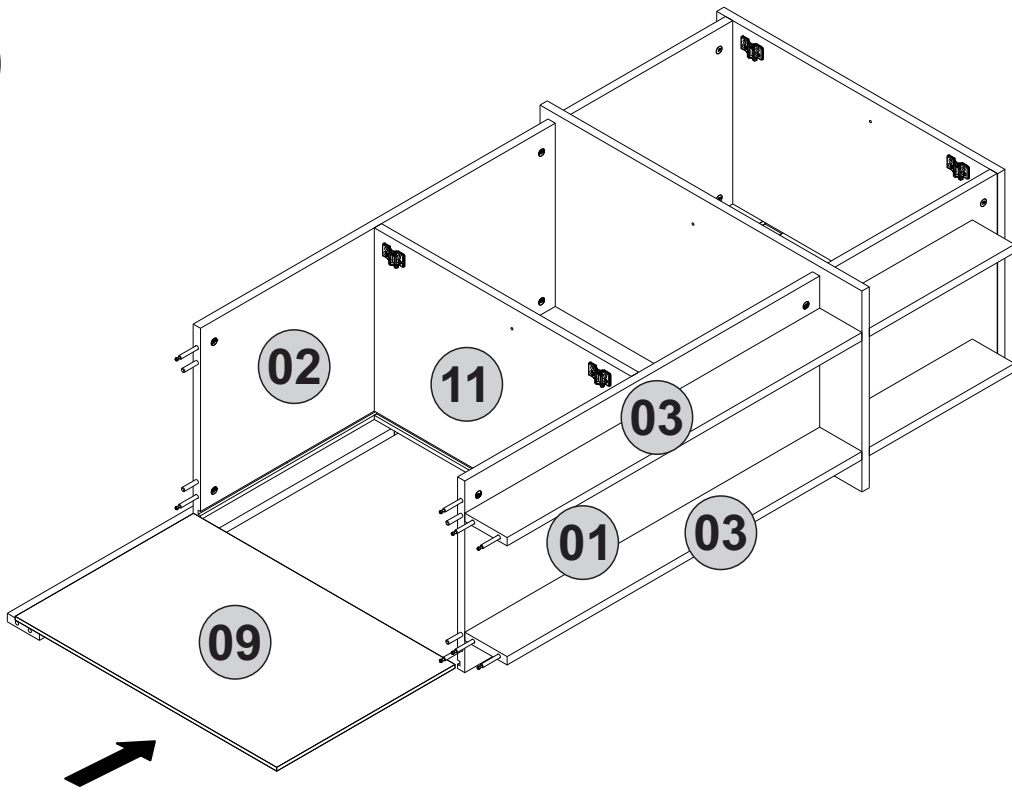
15



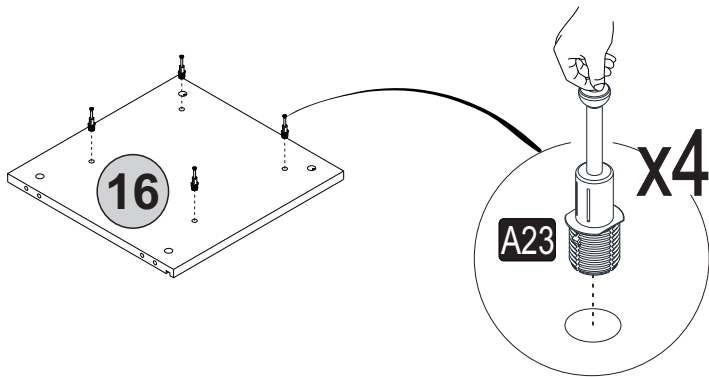
16



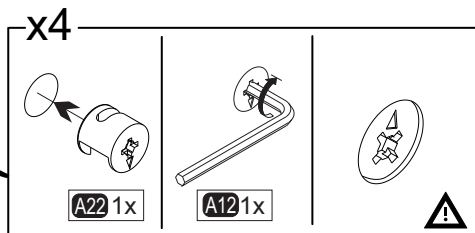
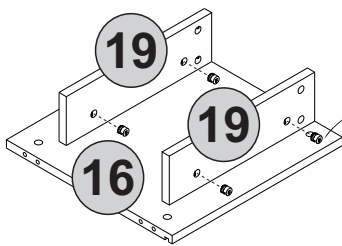
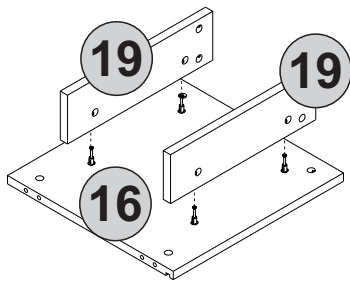
17



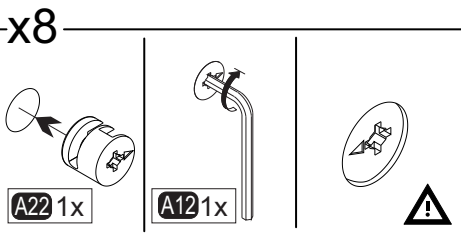
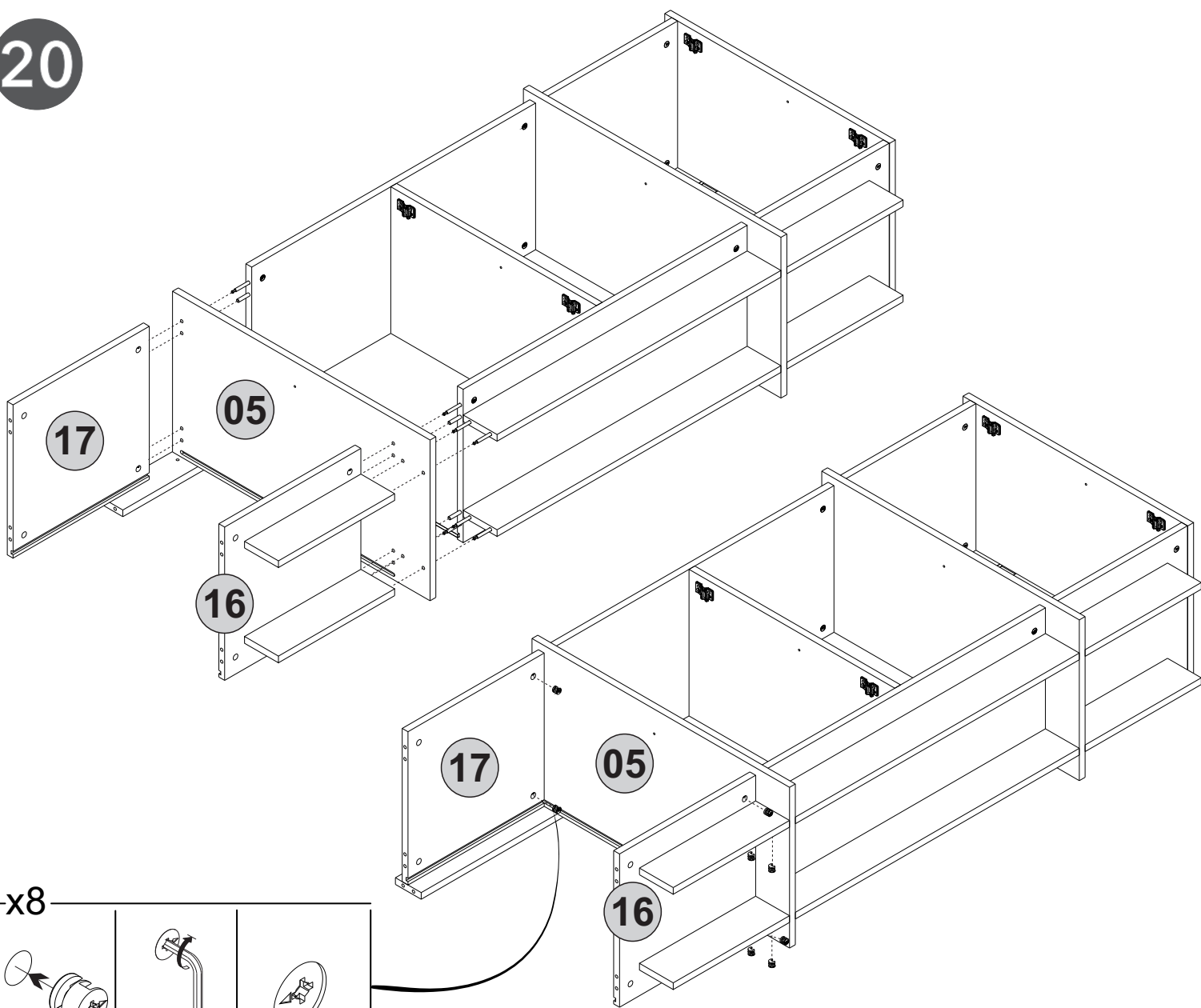
18



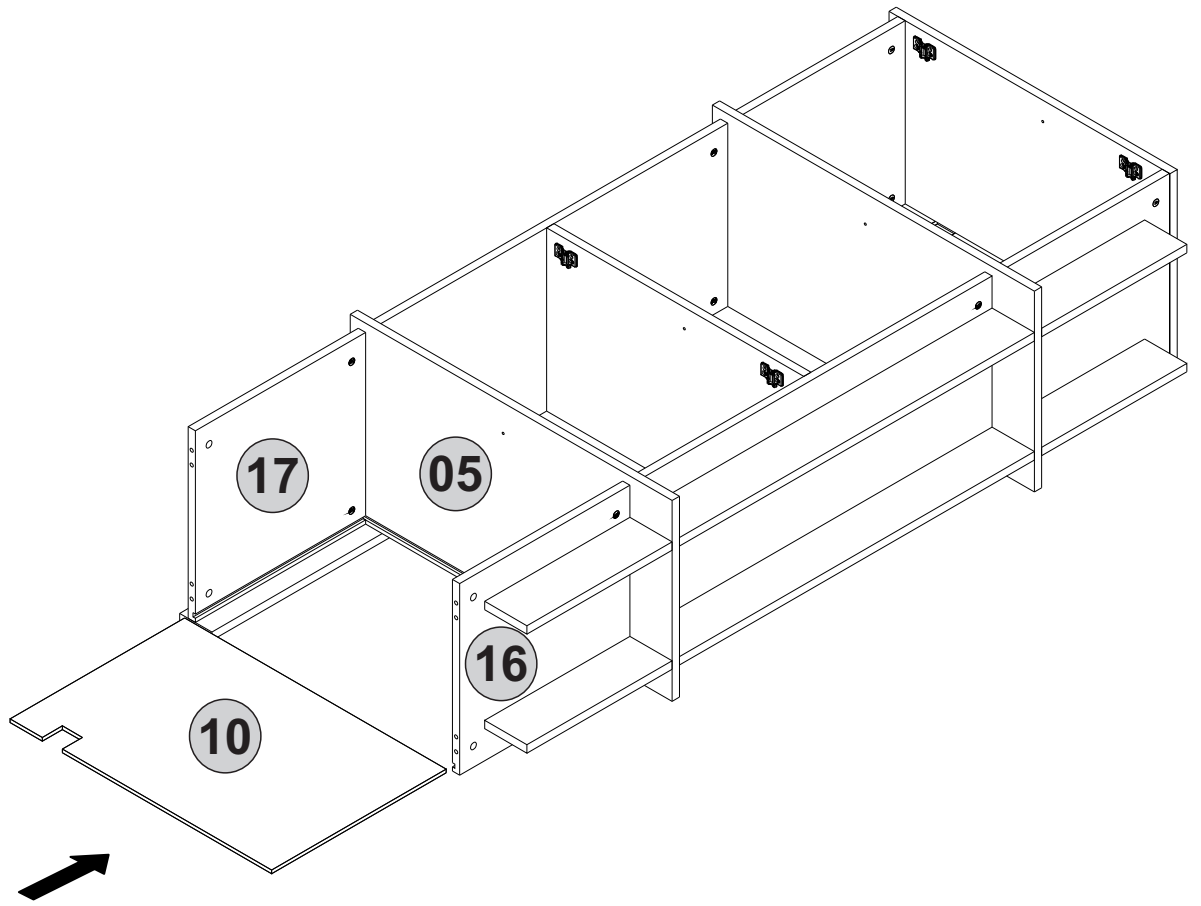
19



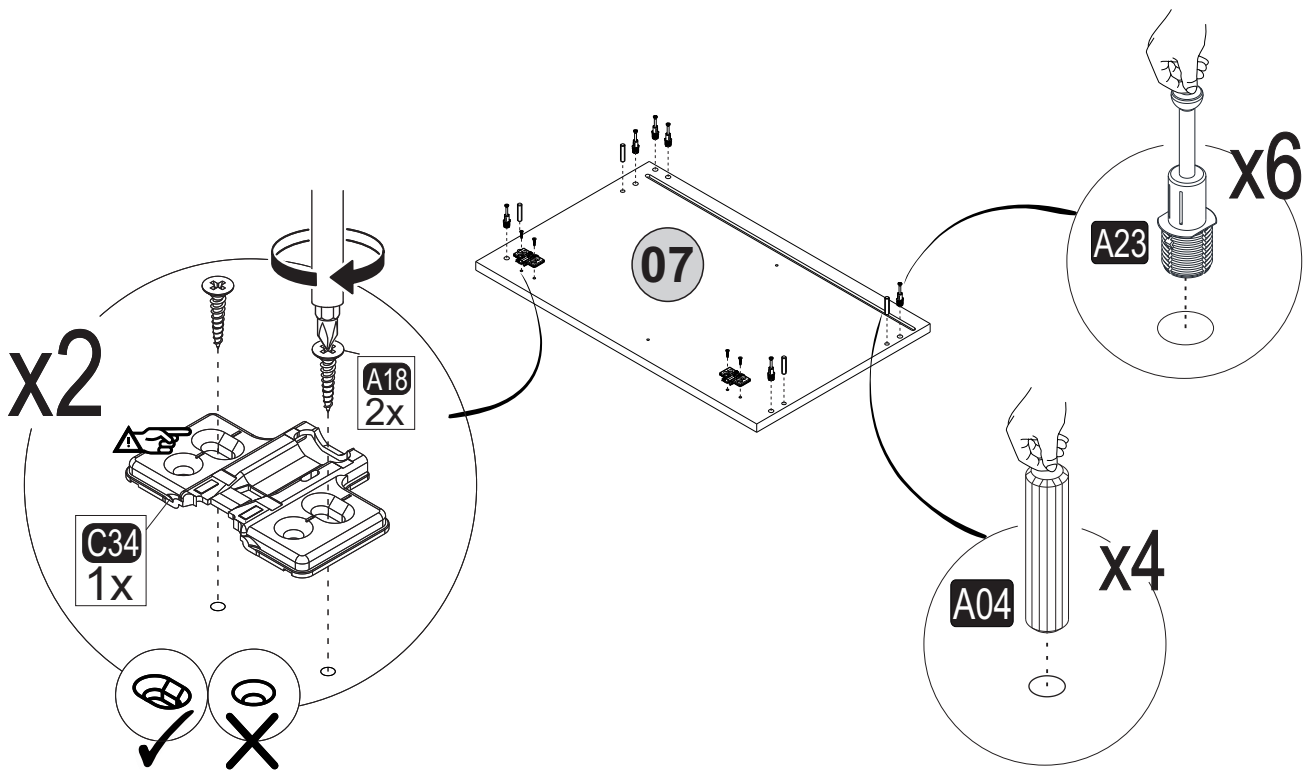
20

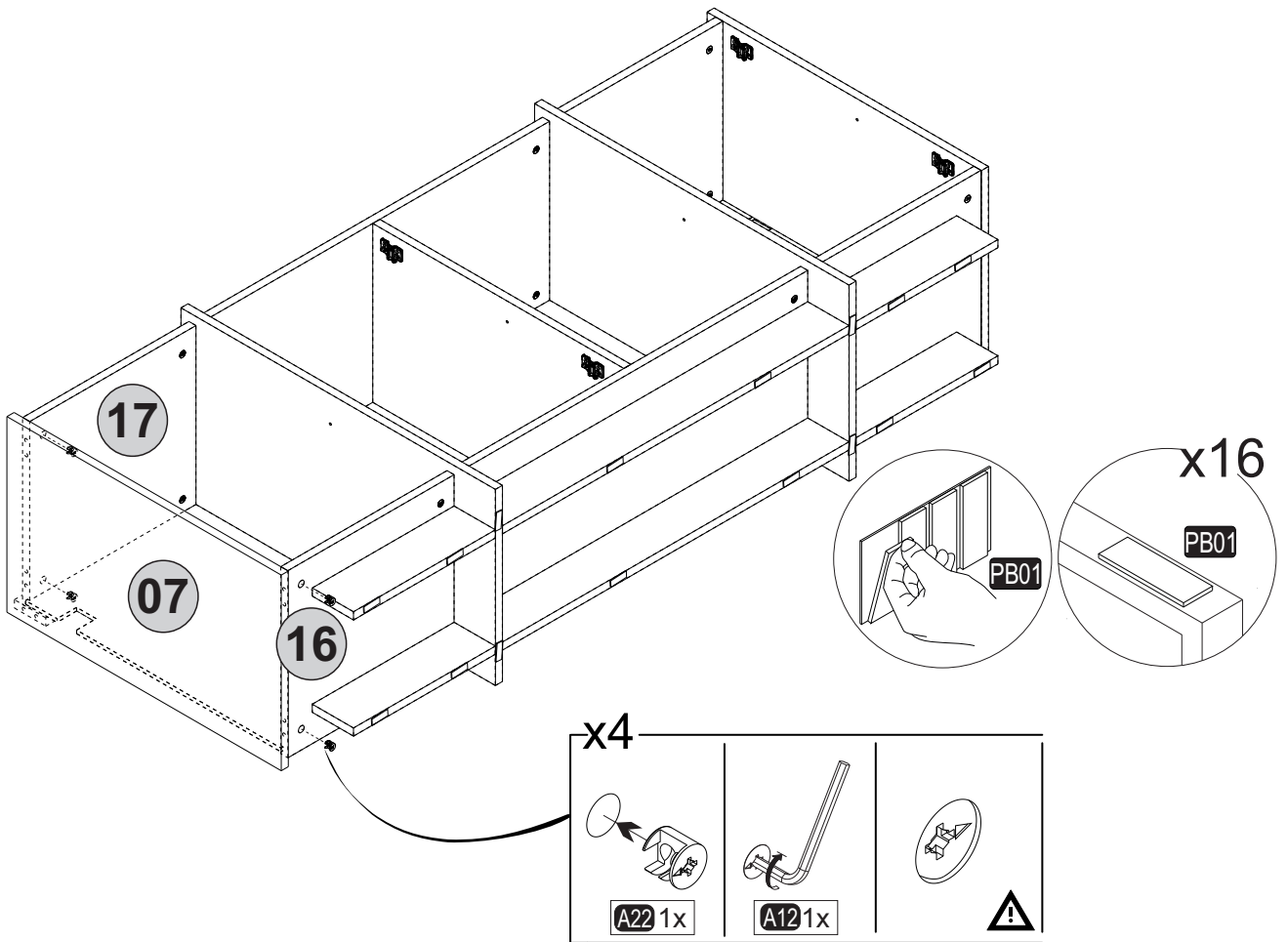
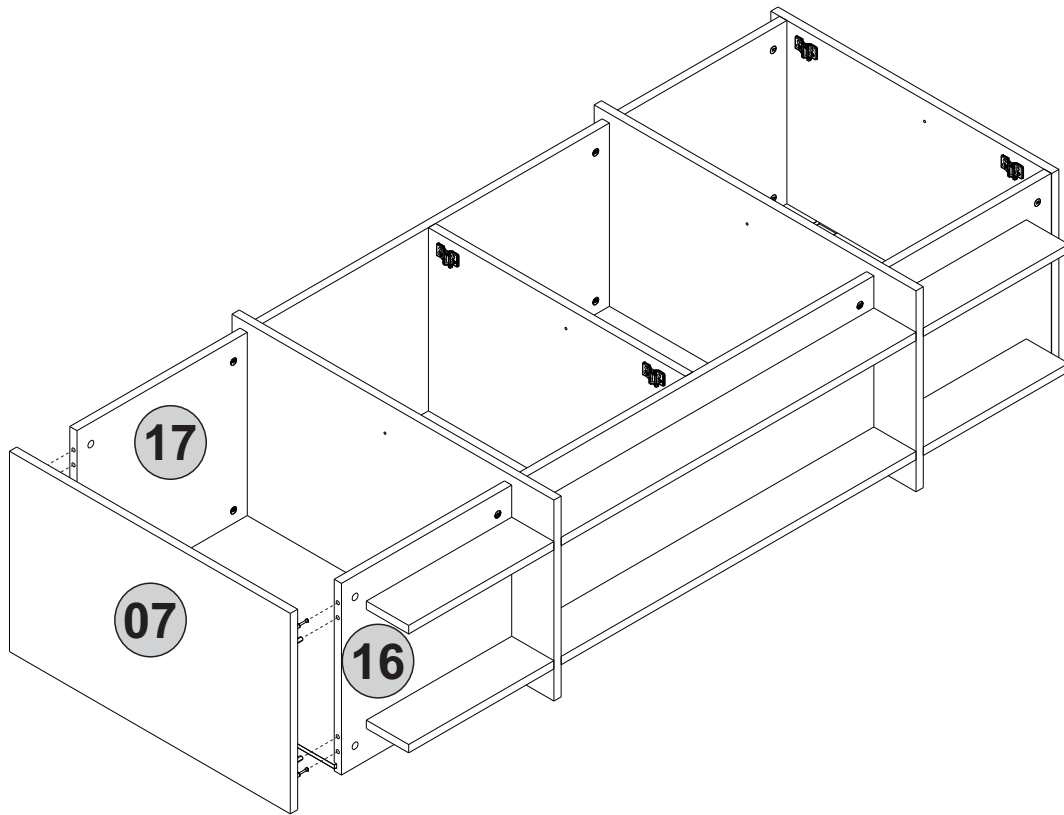


21

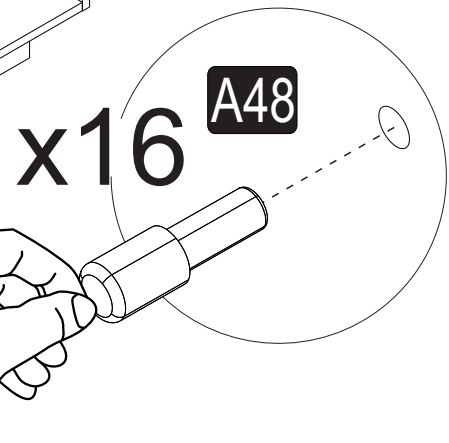
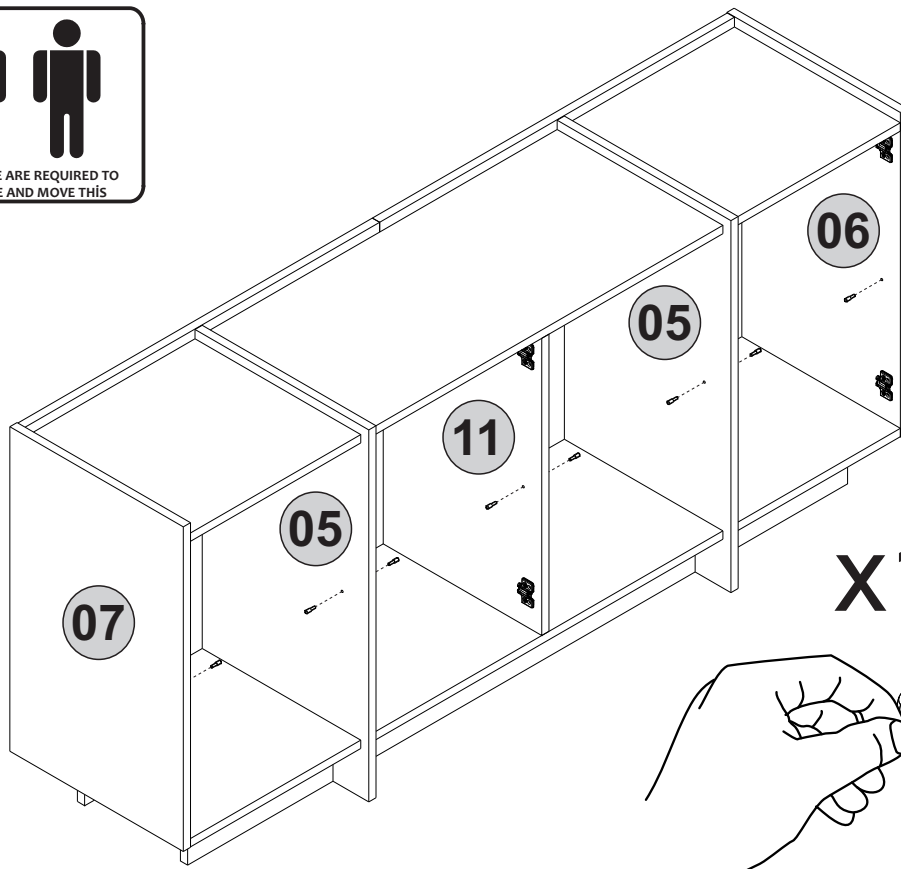


22

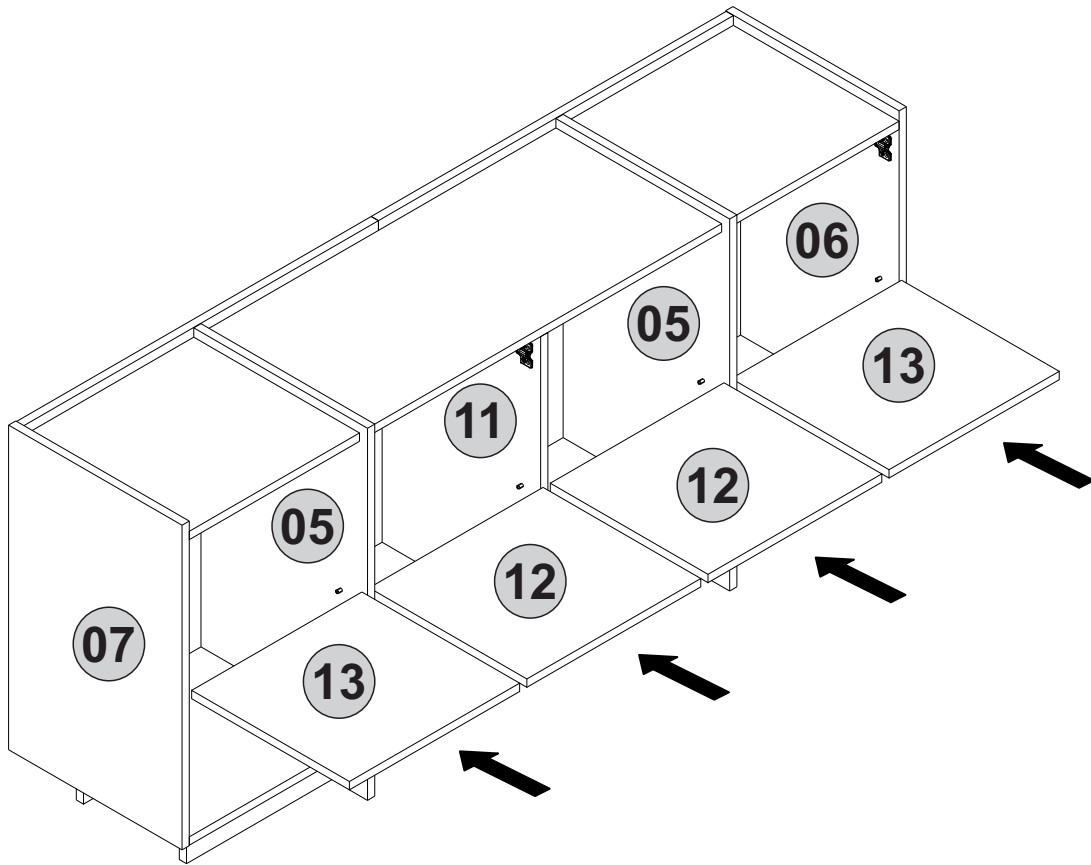




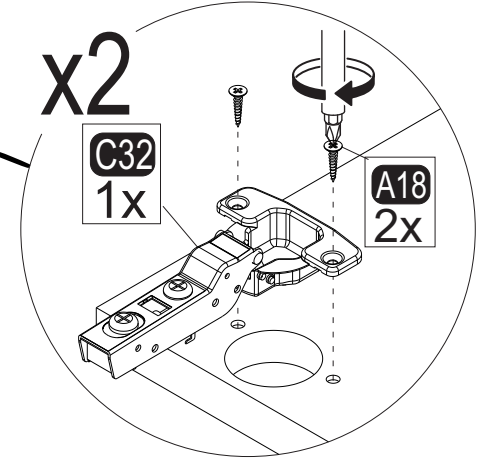
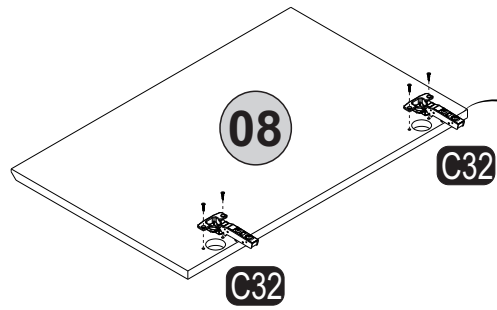
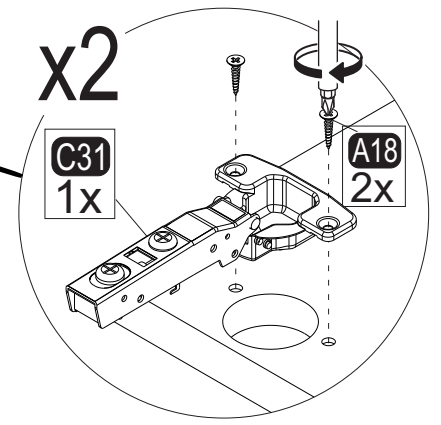
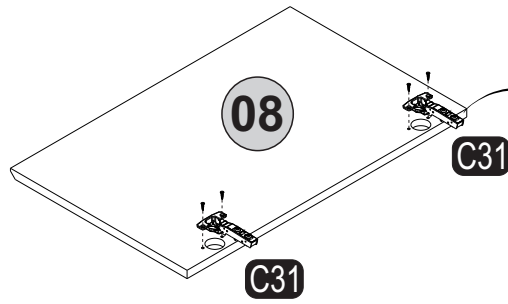
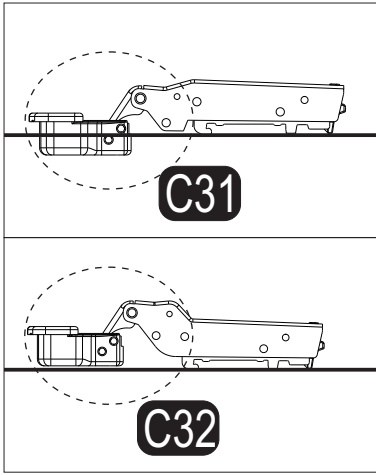
24



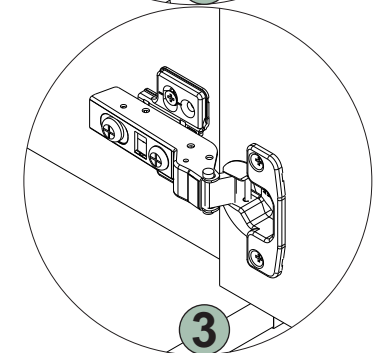
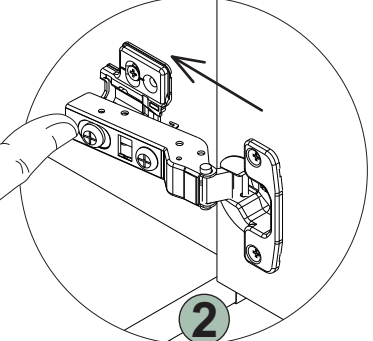
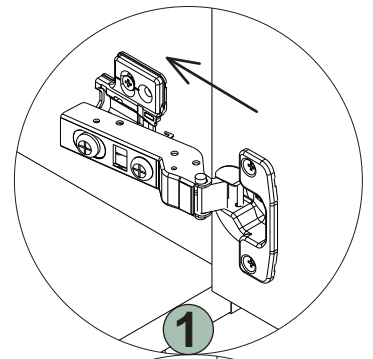
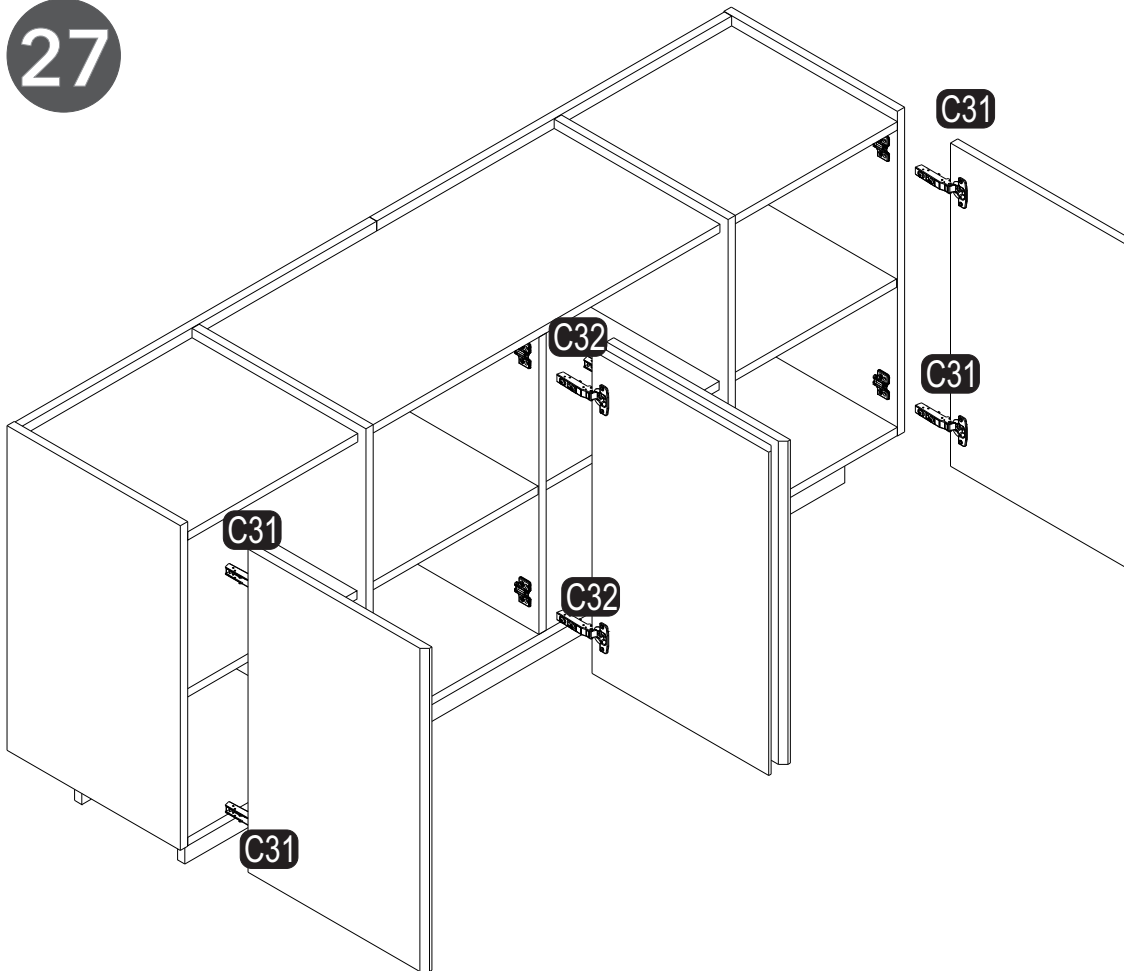
25

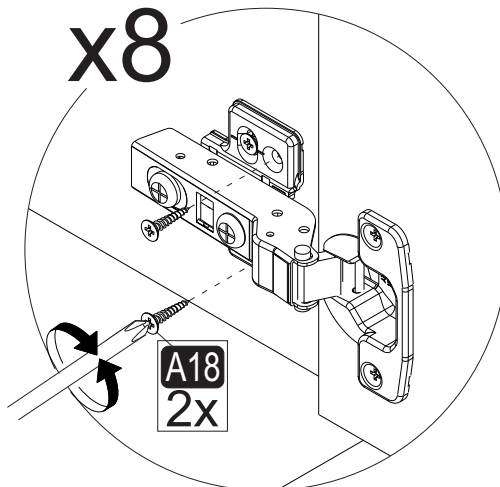
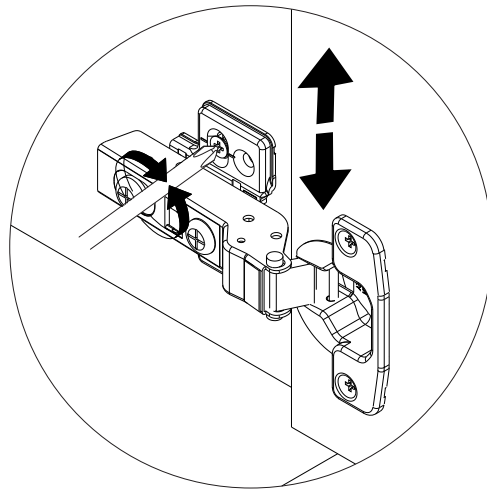
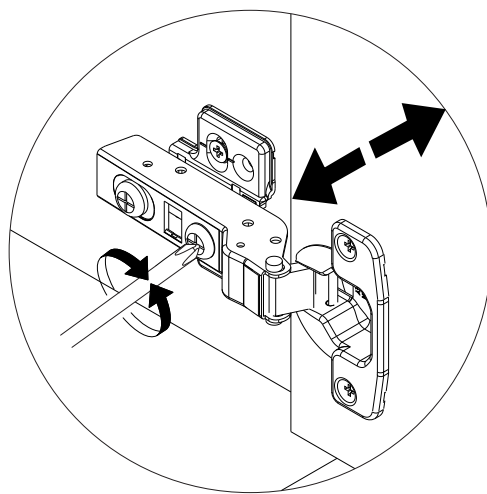
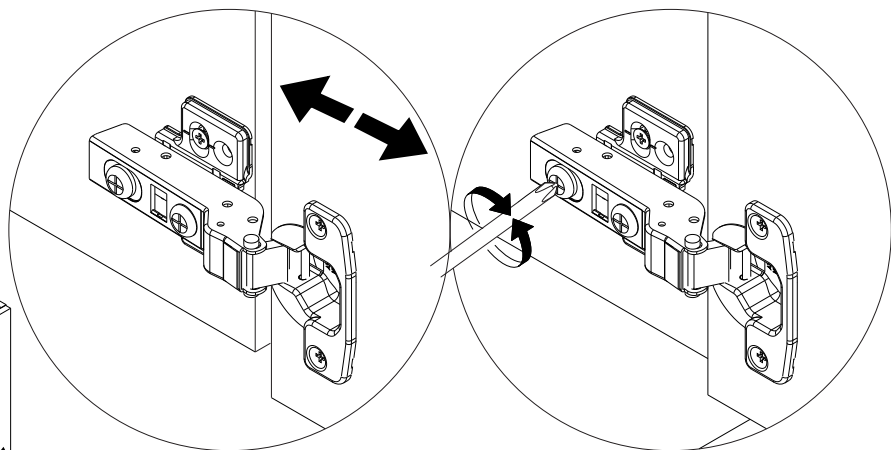
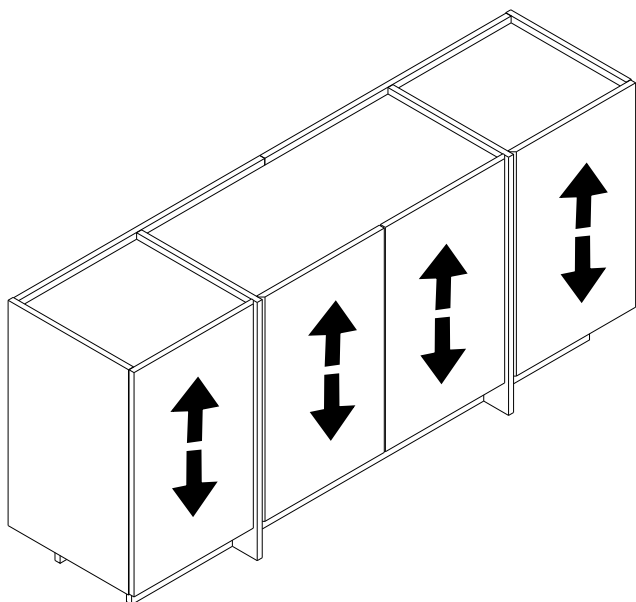
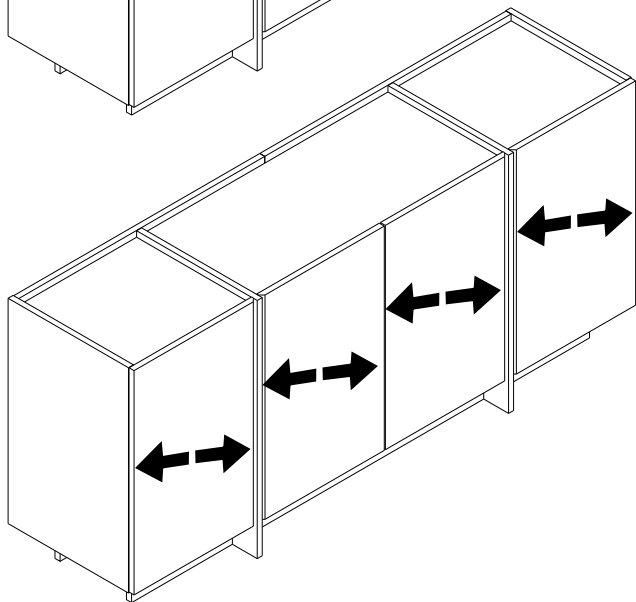
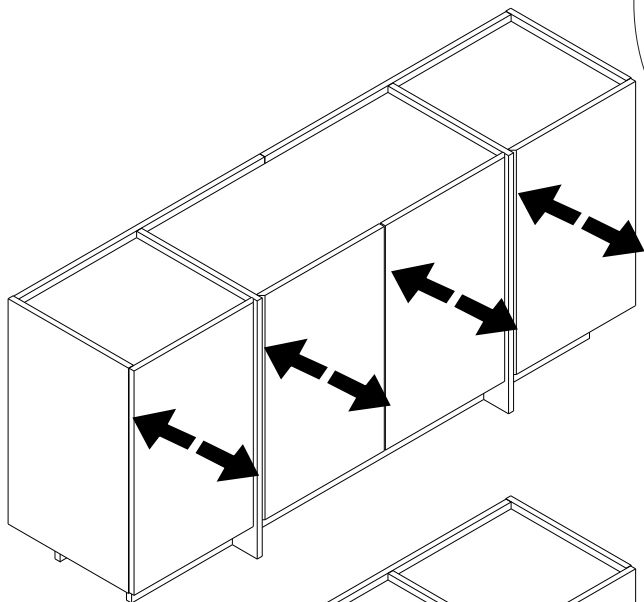


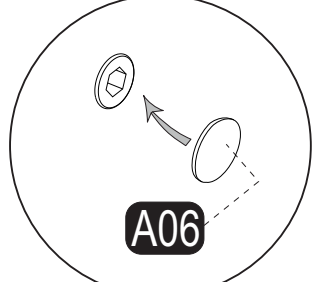
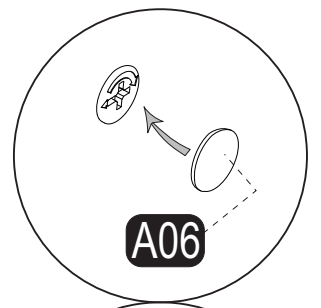
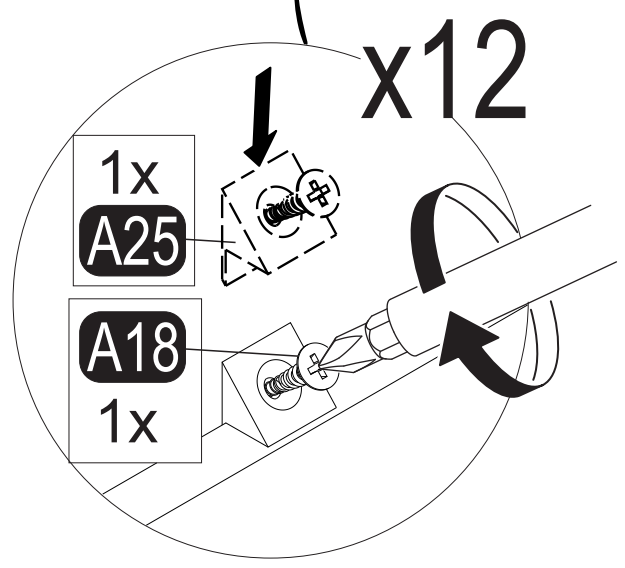
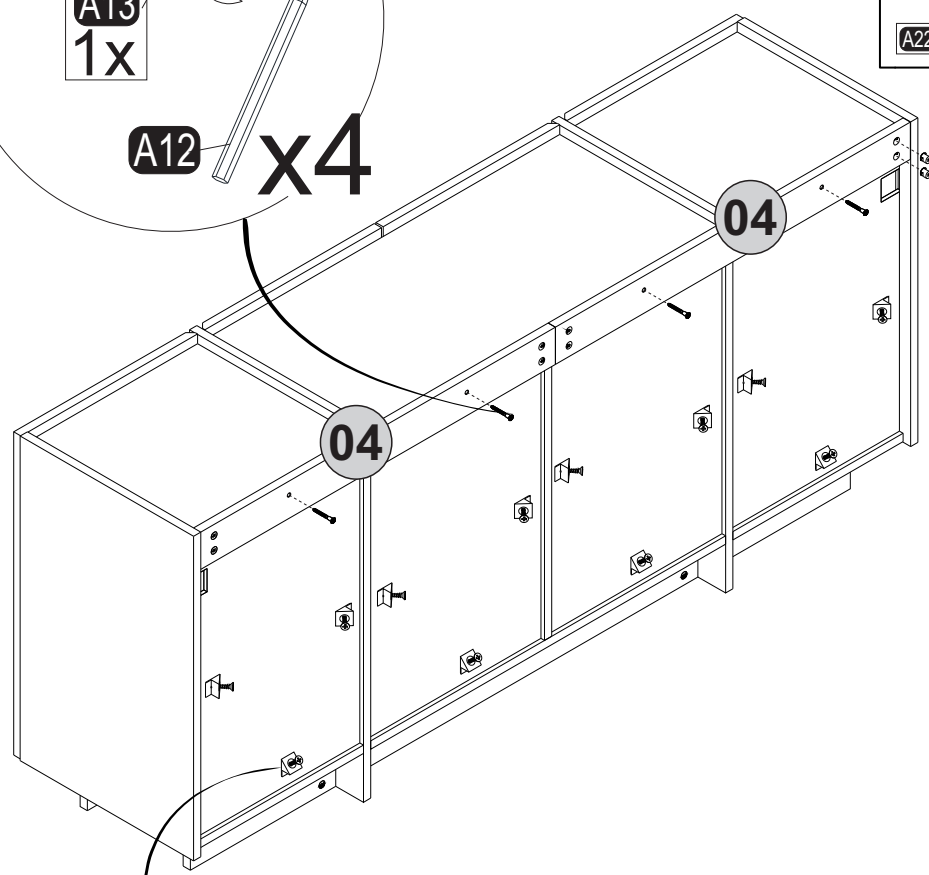
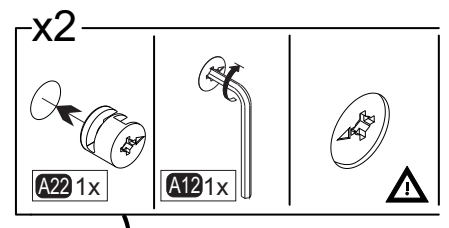
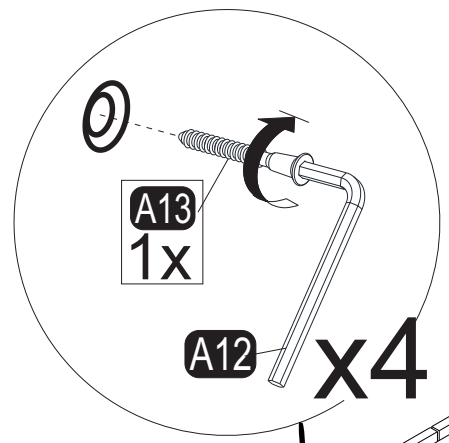
26x2



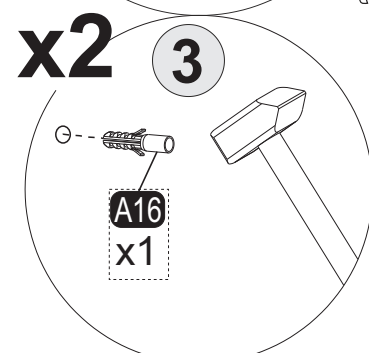
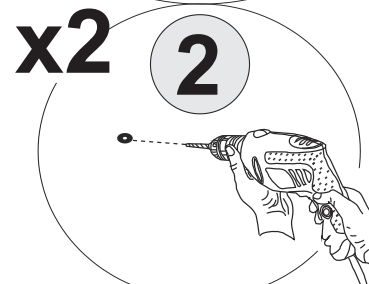
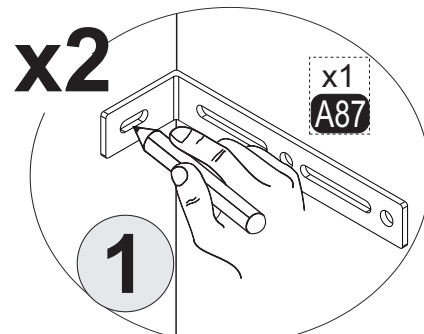
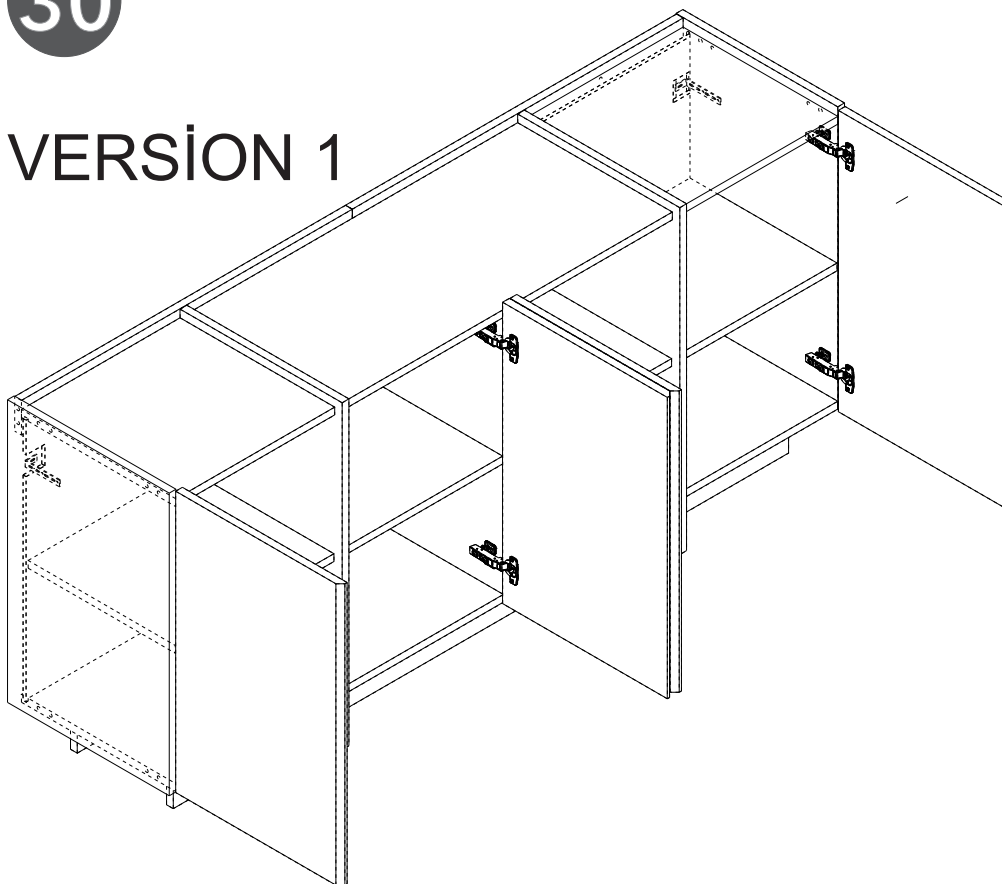
27







VERSION 1



VERSION 2

