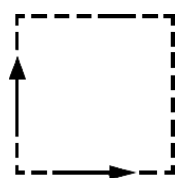


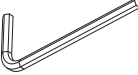

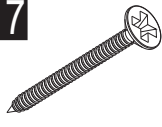

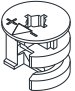
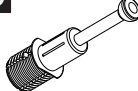
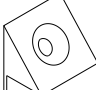

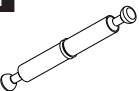
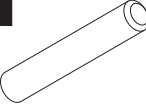
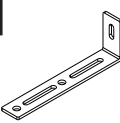


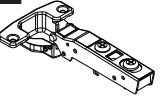
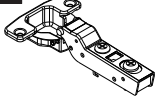
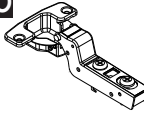
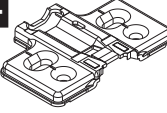
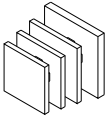


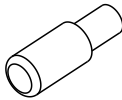


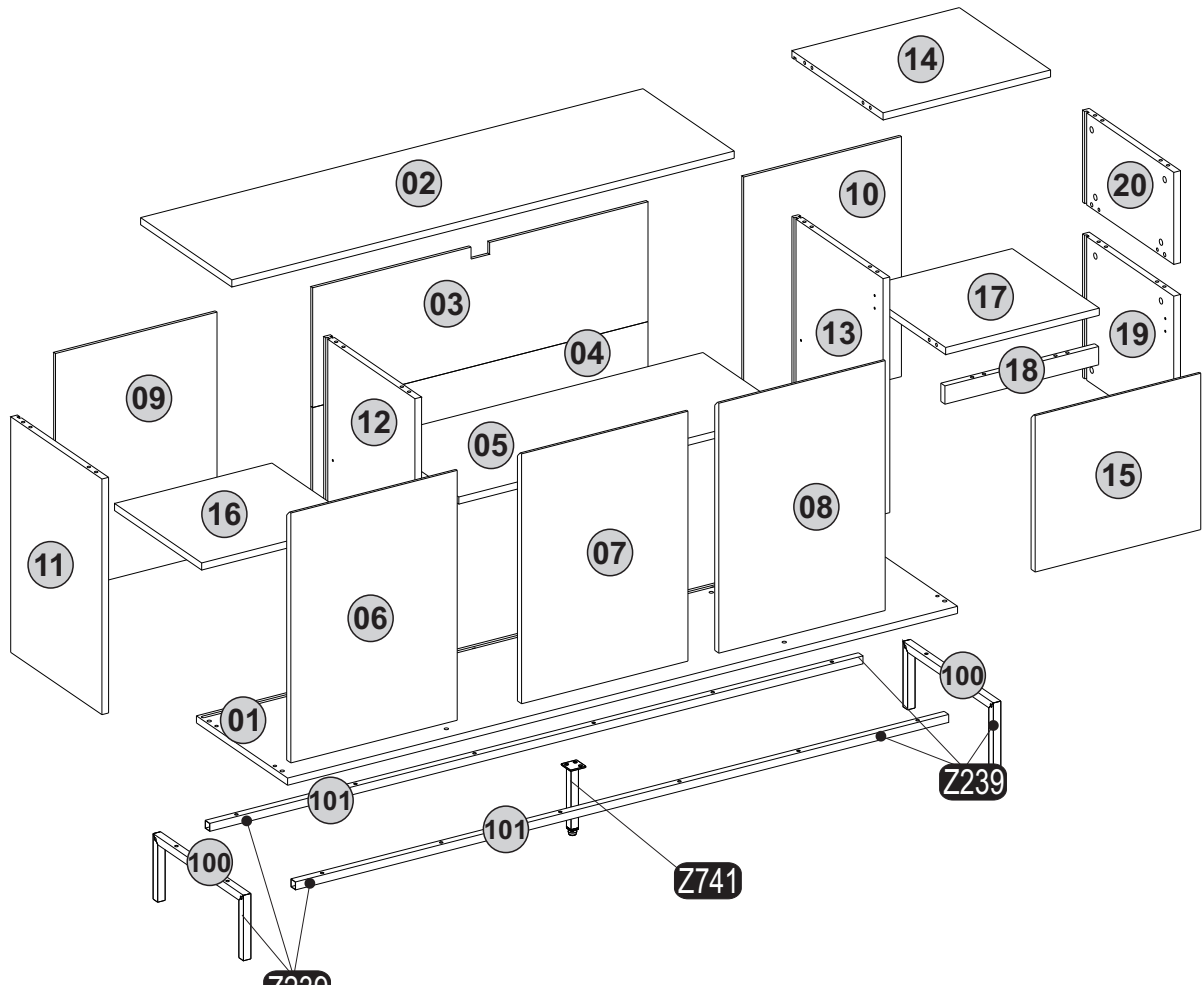
**i** GP037-0327,2



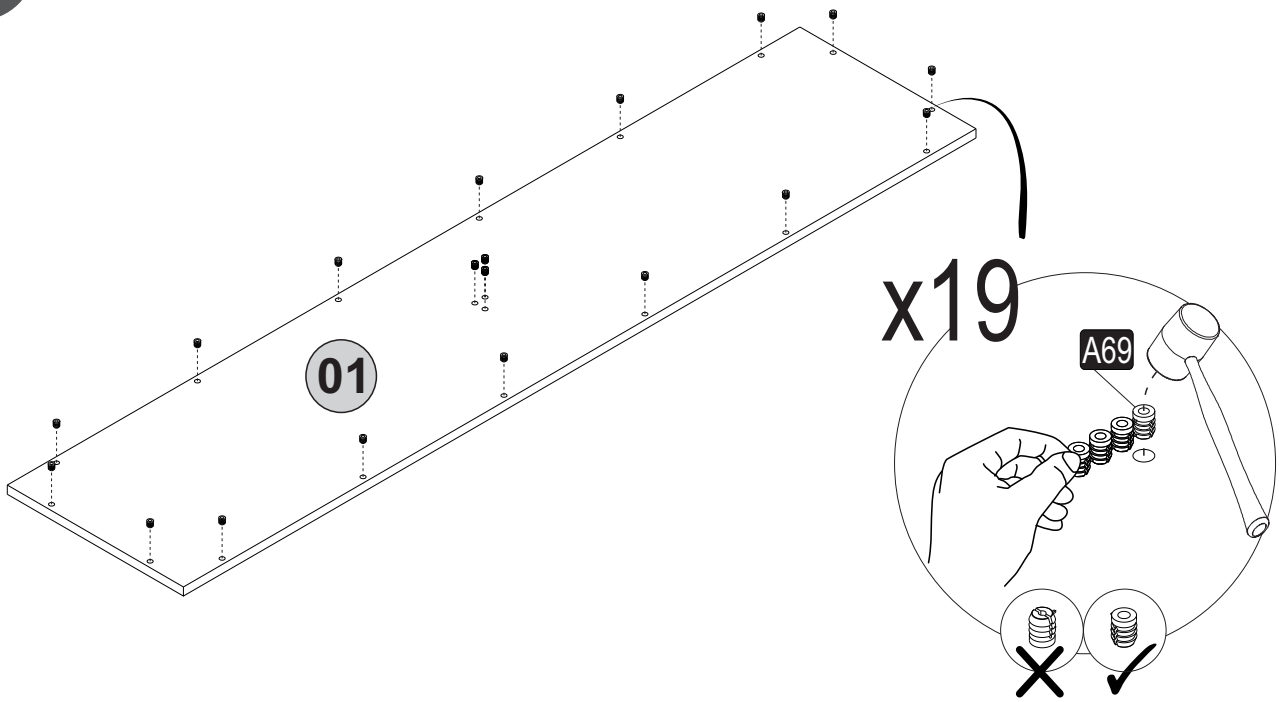
180 x 41,8 x 80cm

# HARDWARE LIST

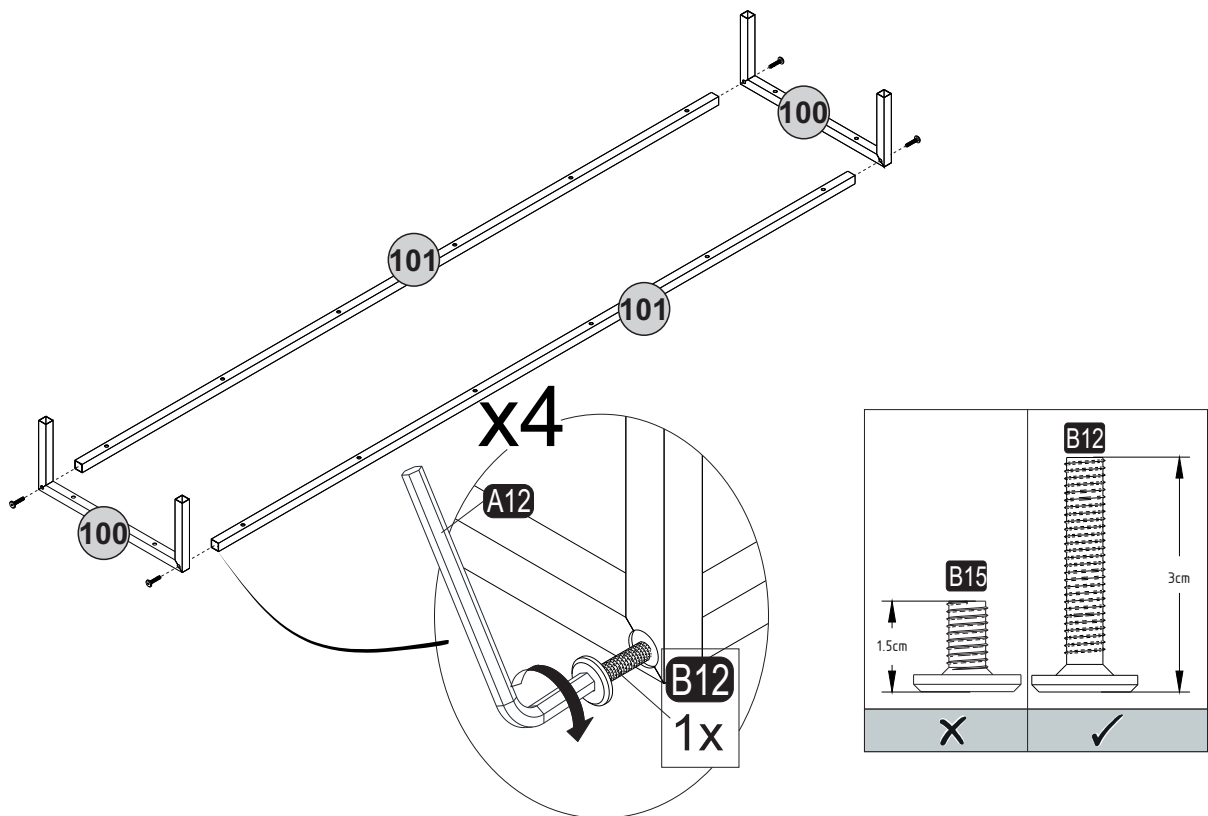
<b>A04</b> Ø8x30  22x	<b>A06</b> 18mm C1-14x C2-16x  30x	<b>A12</b> Allen  1x	<b>A16</b> DbØ8  1x	<b>A17</b> 4X50  1x
<b>A18</b> 3,5x18  66x	<b>A22</b> Minifix k18  30x	<b>A23</b> Minifix M10  22x	<b>A25</b> ARK.PL  16x	<b>A69</b> P.D.  19x
<b>A31</b> DFM6-68  4x	<b>A41</b> Ø8x55  4x	<b>A87</b> 15x90x30  1x	<b>B15</b> 15 (black)mm  3x	<b>B12</b> 30 (black)mm  20x
<b>C31</b> DM  4x	<b>C32</b> YM  2x	<b>C33</b> TM  2x	<b>C34</b> MA  8x	<b>Z27</b> 20x20x18  4x
<b>Z741</b> 170mm  1x	<b>Z239</b>  1x	<b>A48</b> Raf Pimi  8x		



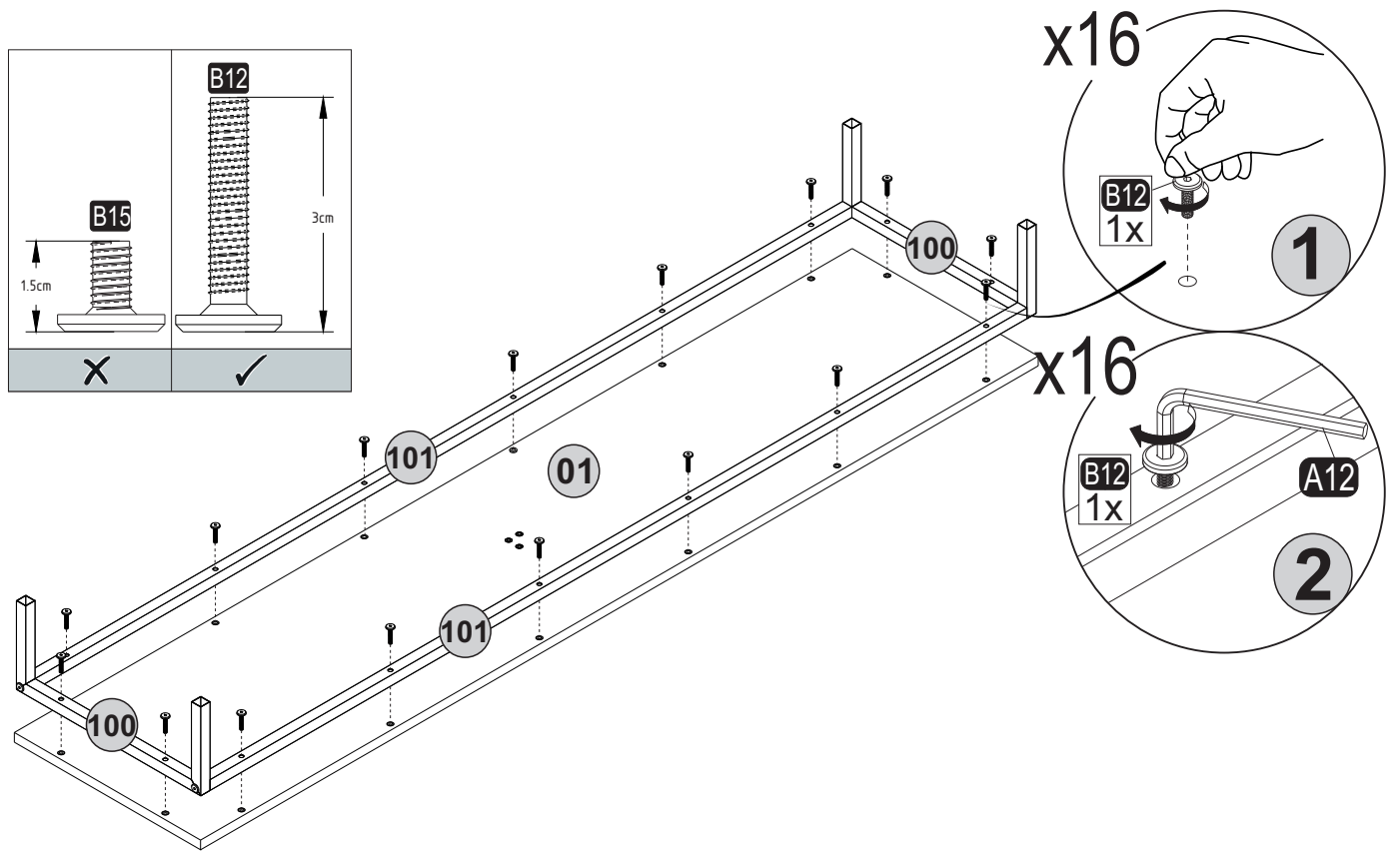
1



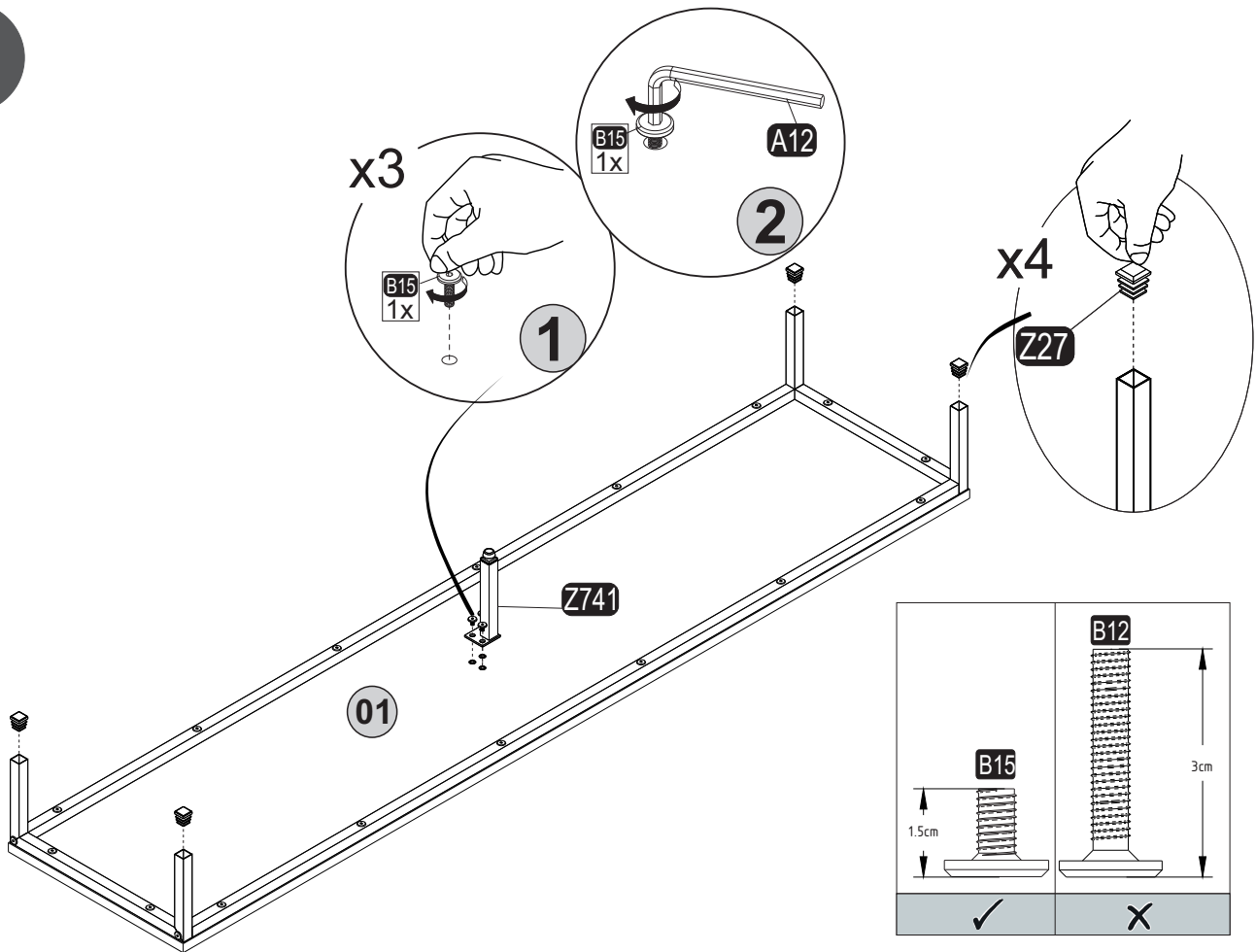
2



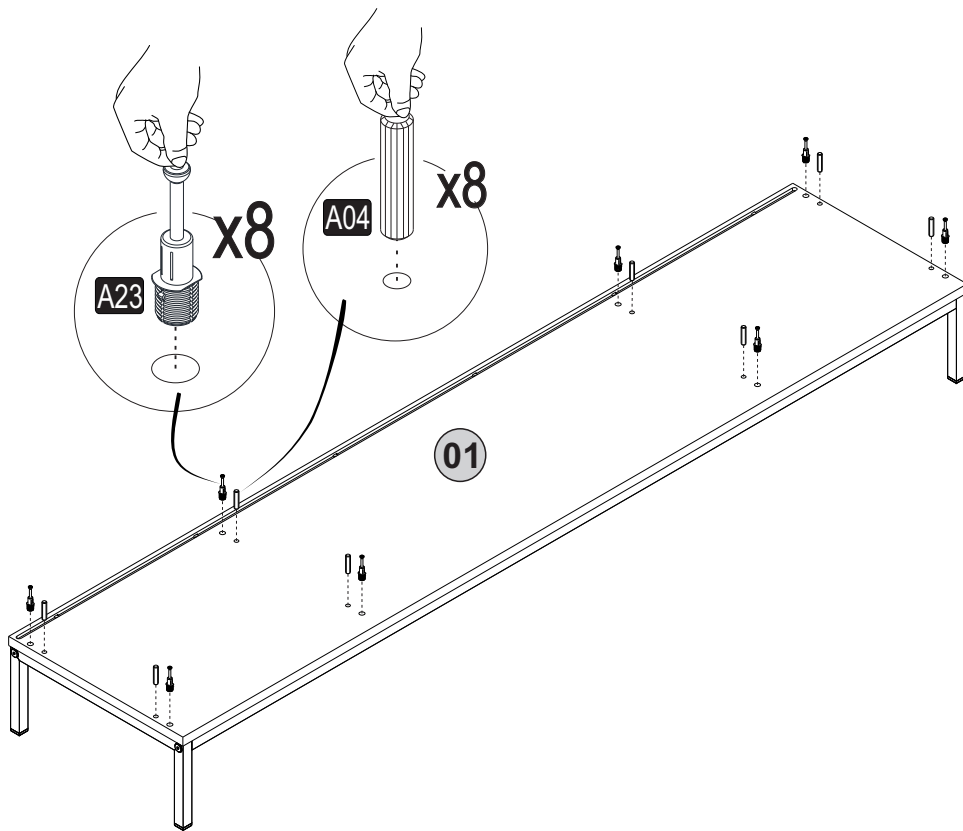
3



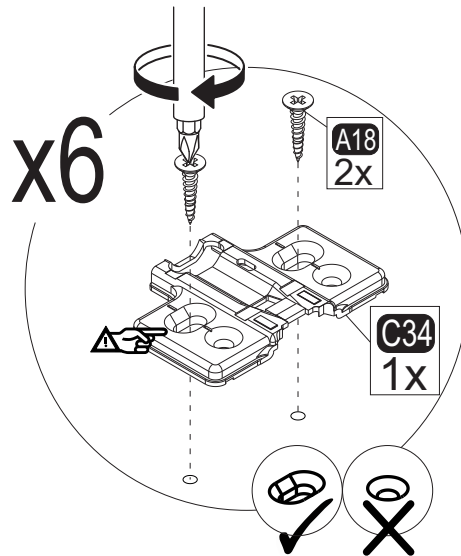
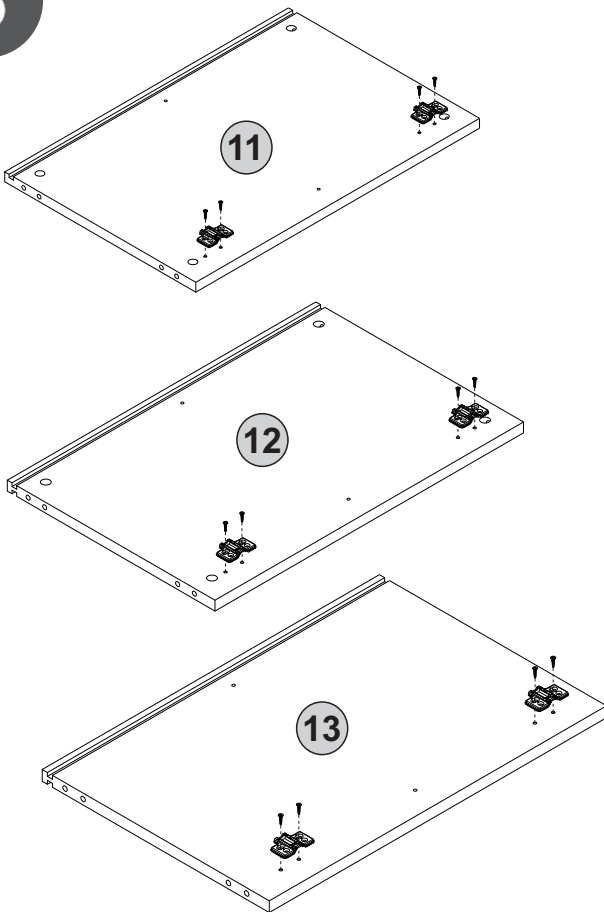
4



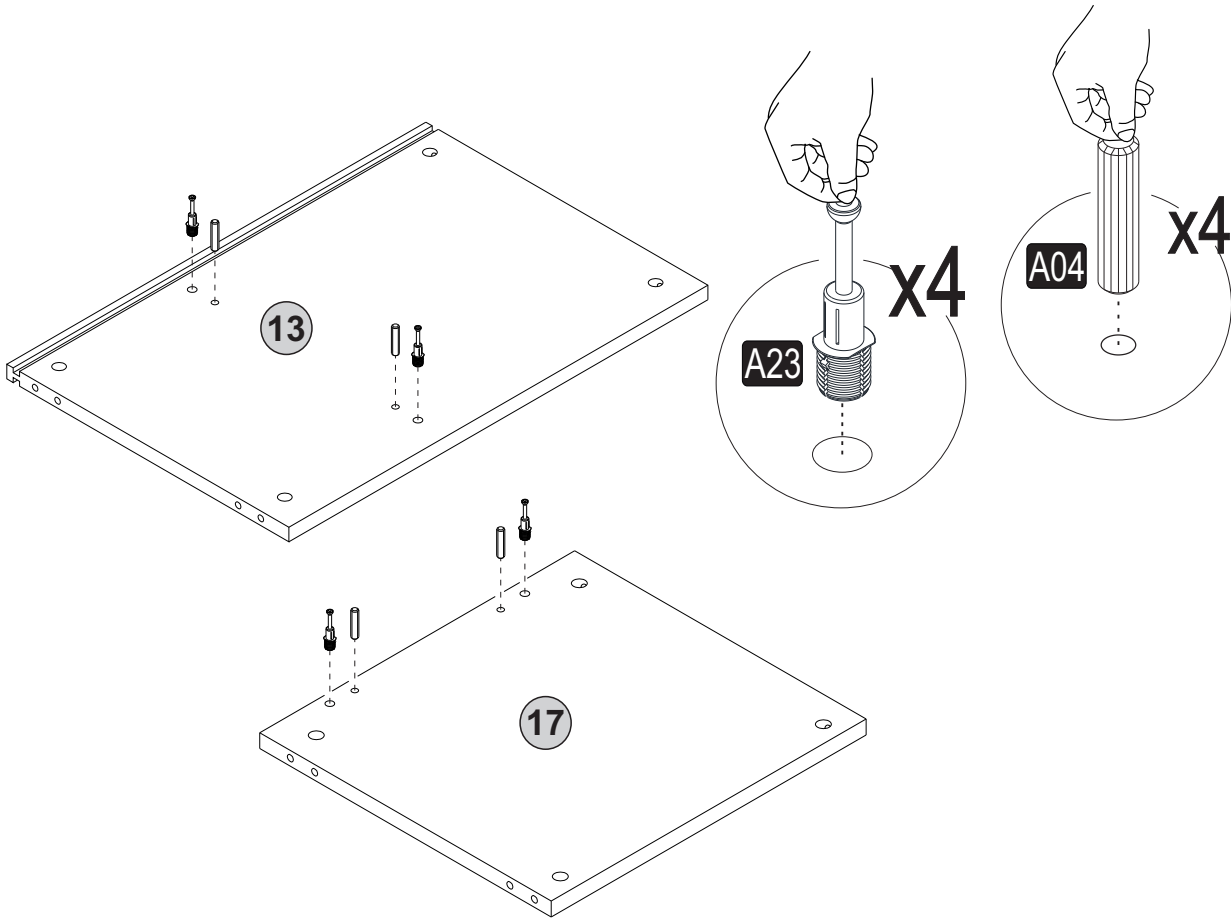
5



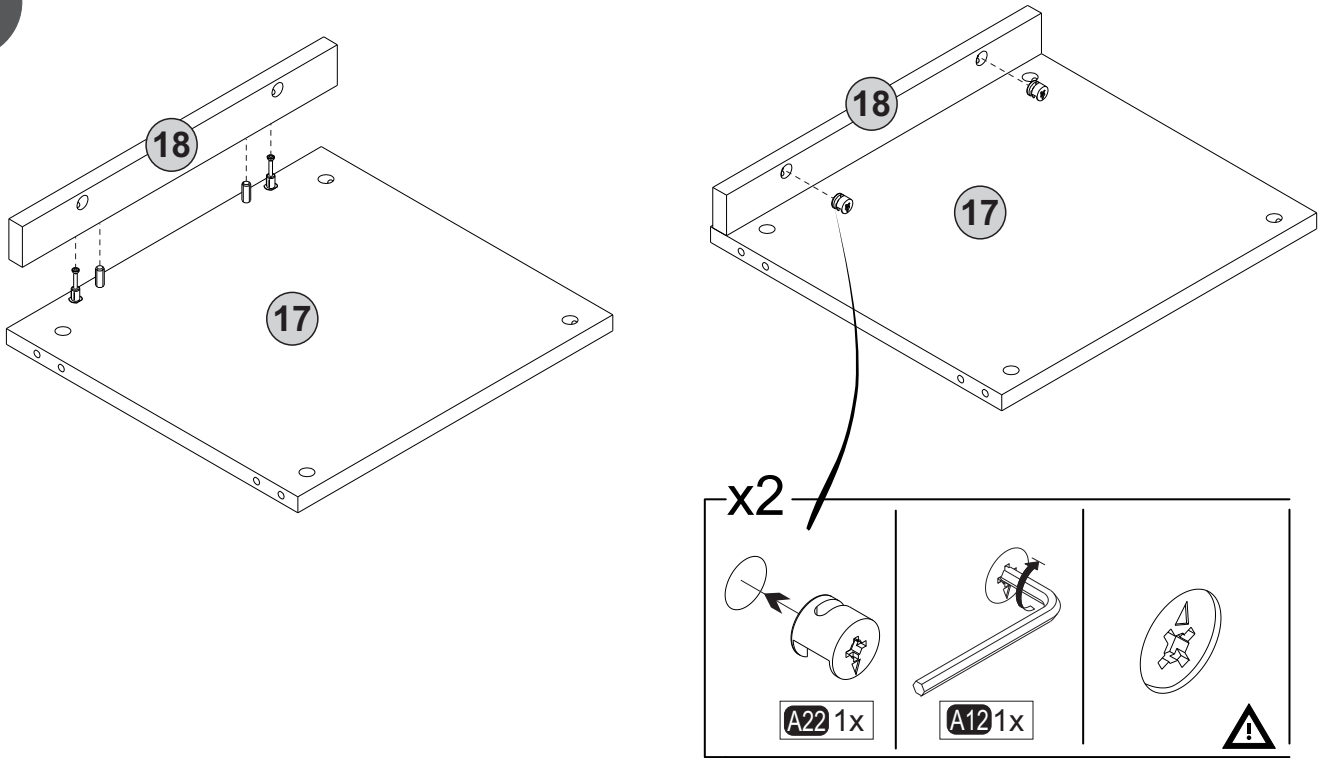
6



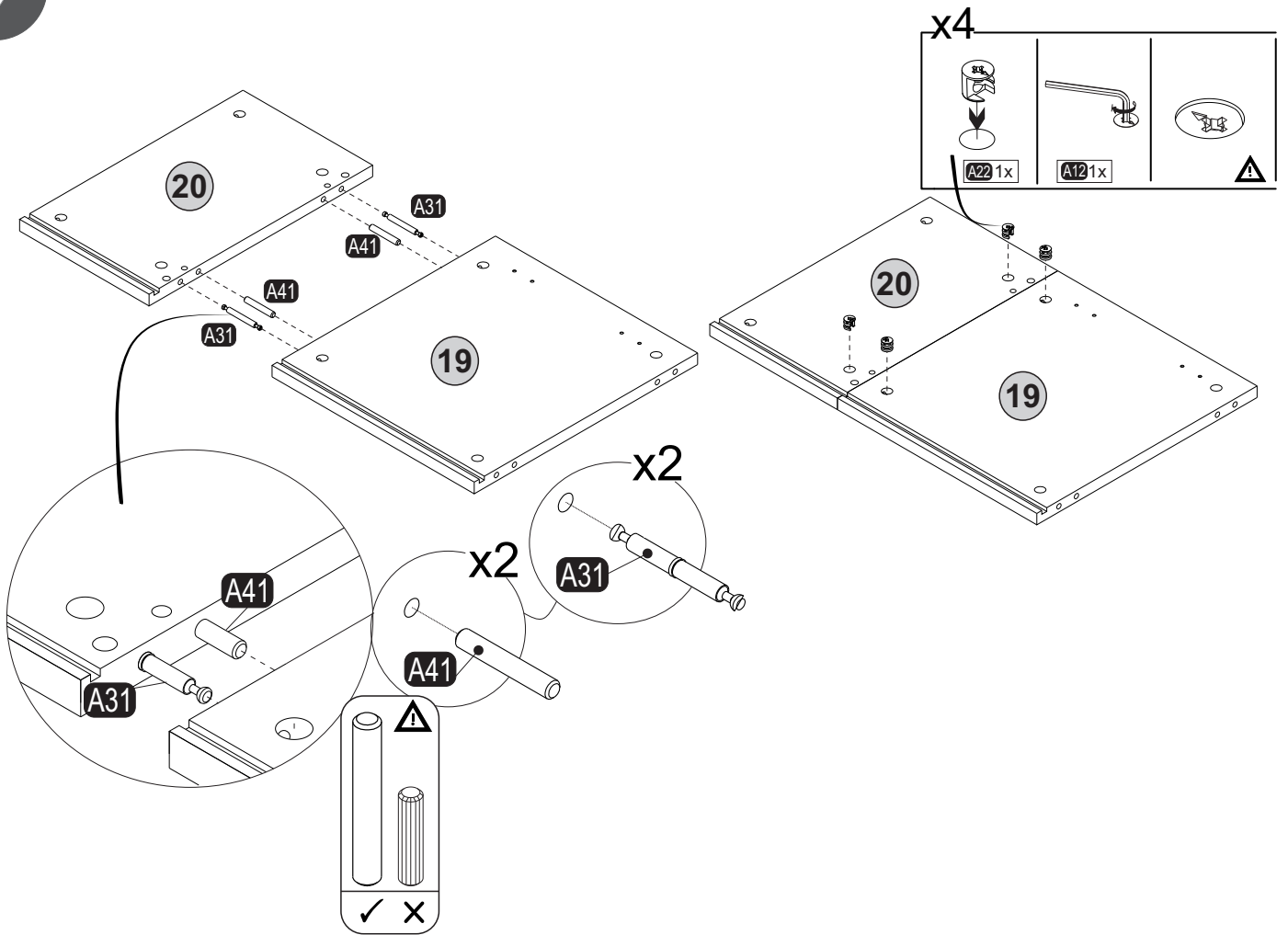
7



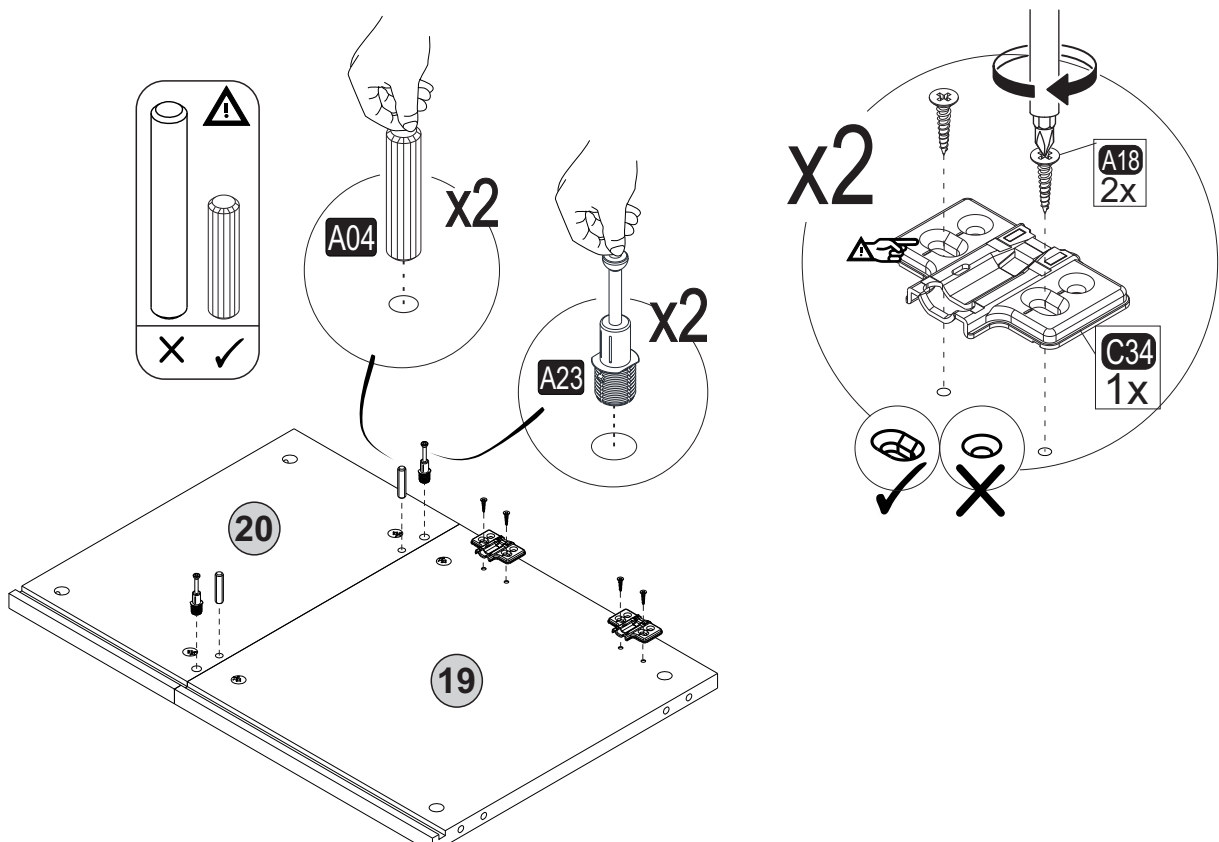
8



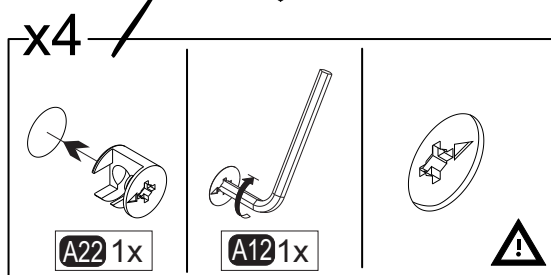
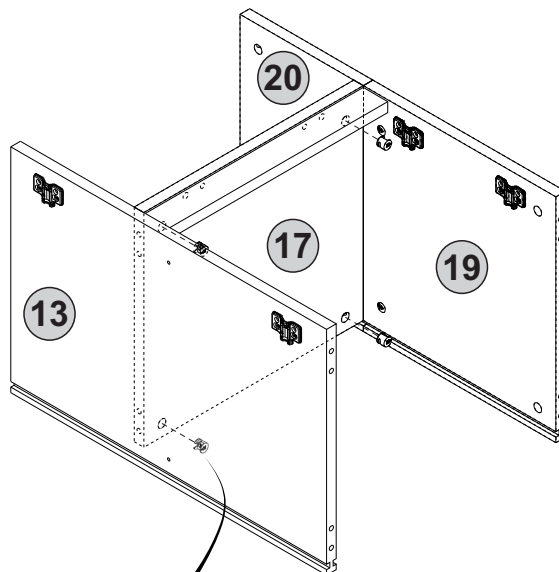
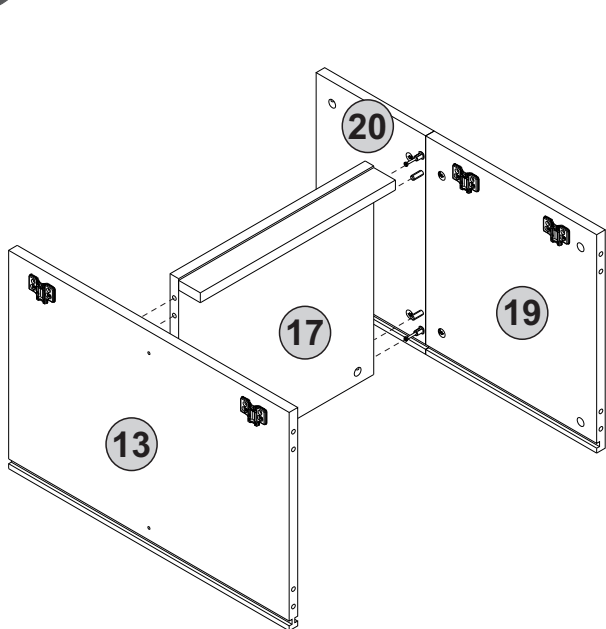
9



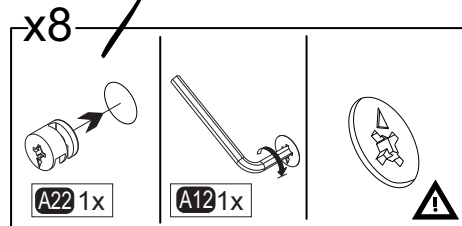
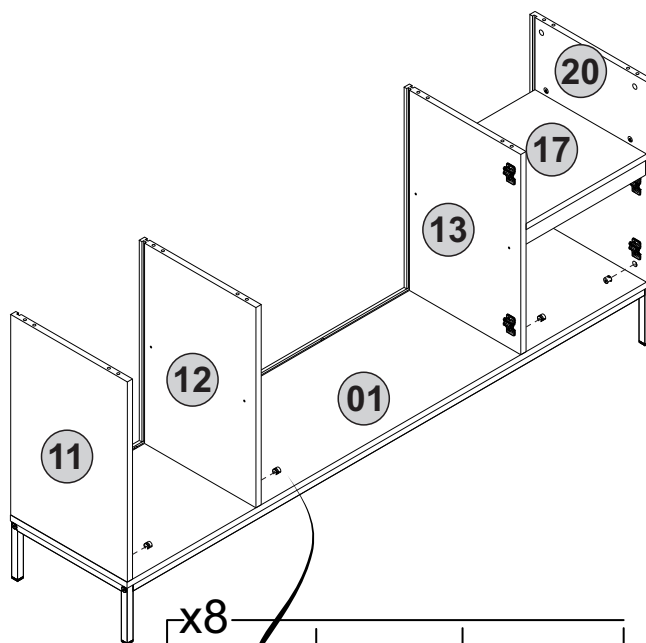
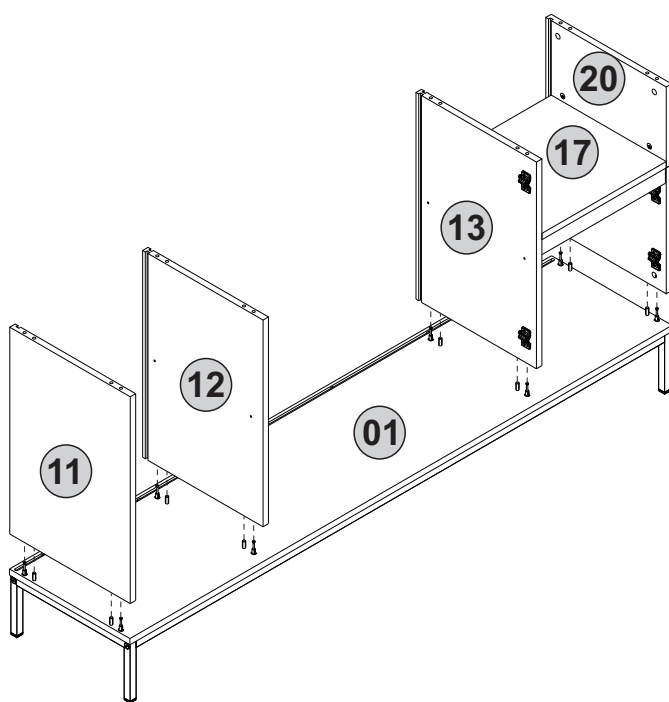
10



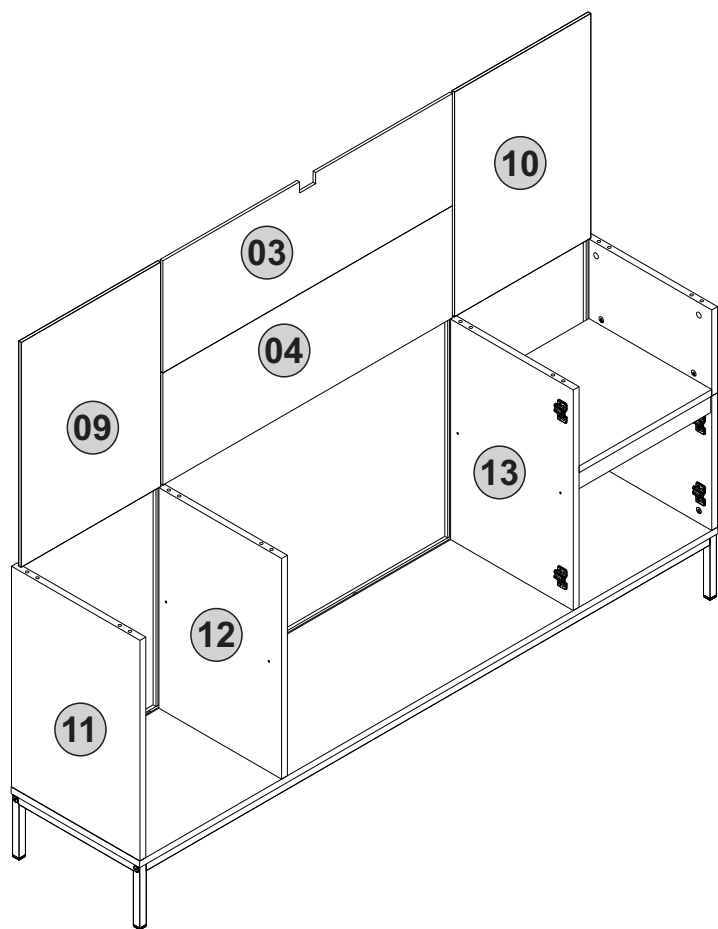
11



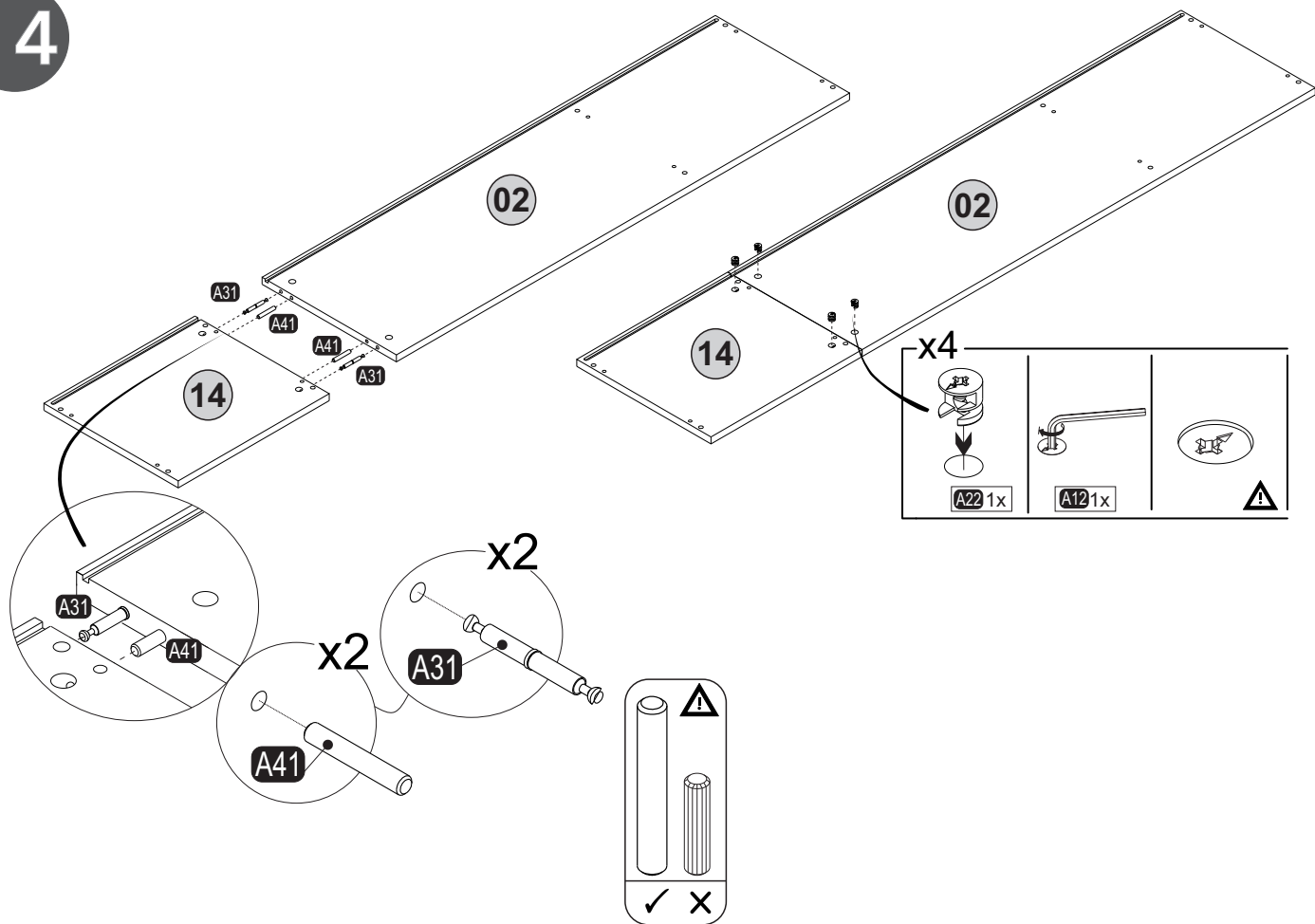
12



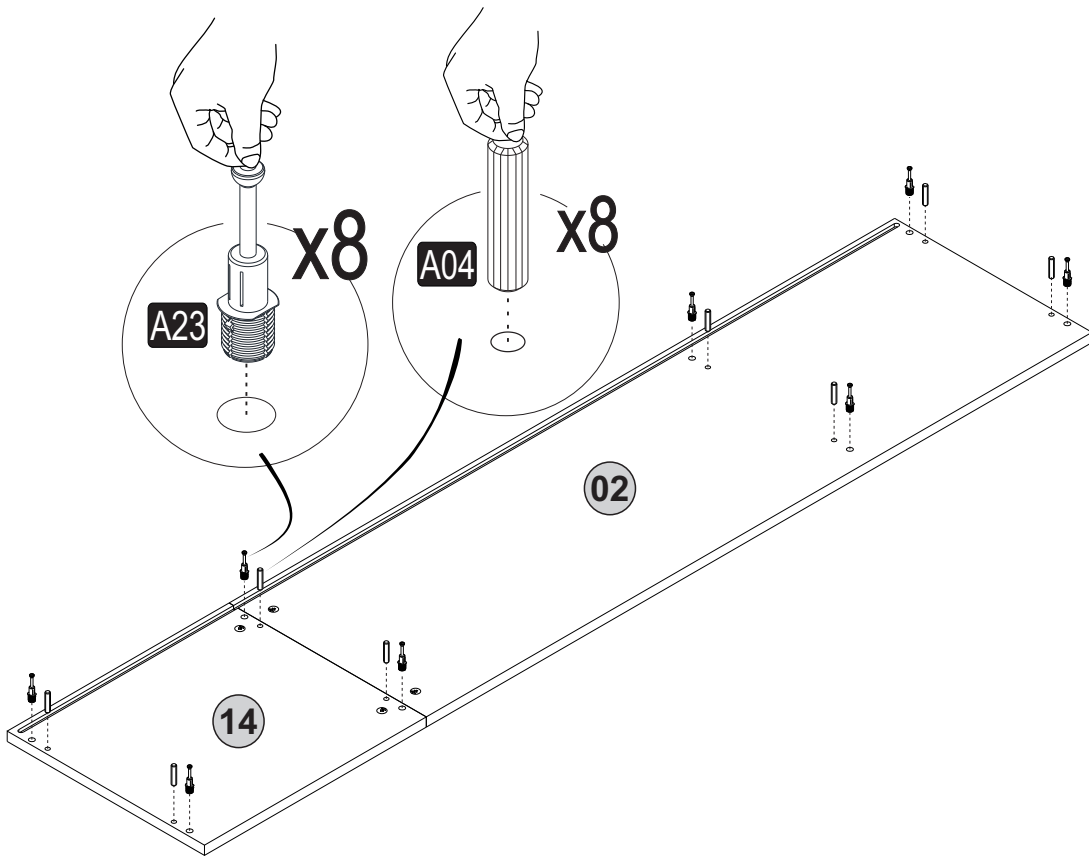
13



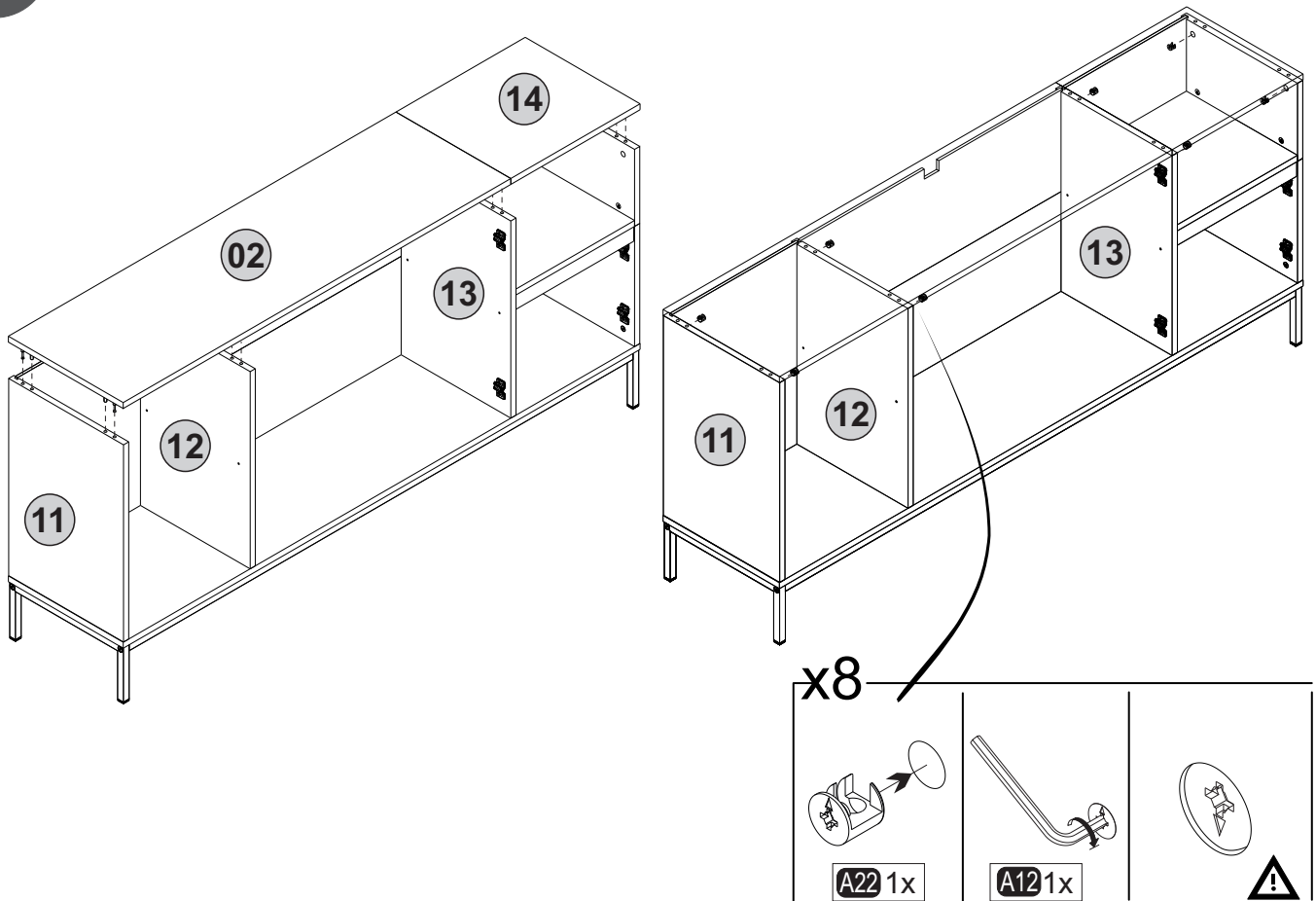
14



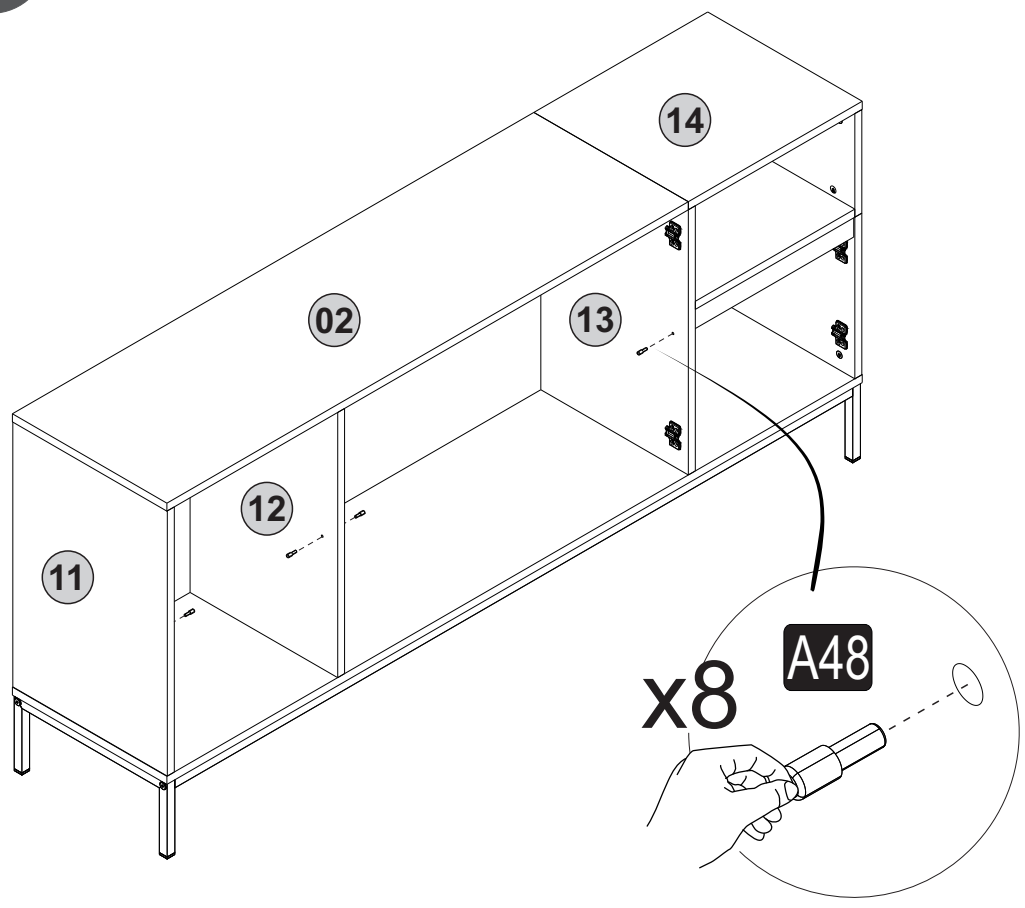
15



16



17



18

