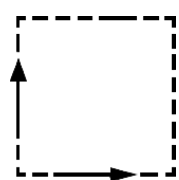







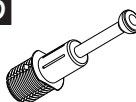
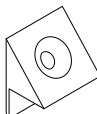
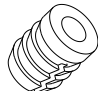
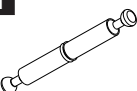
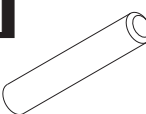
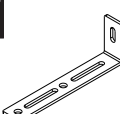




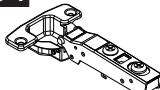
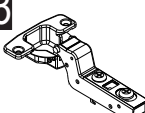
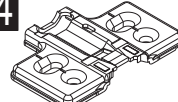
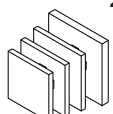
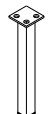



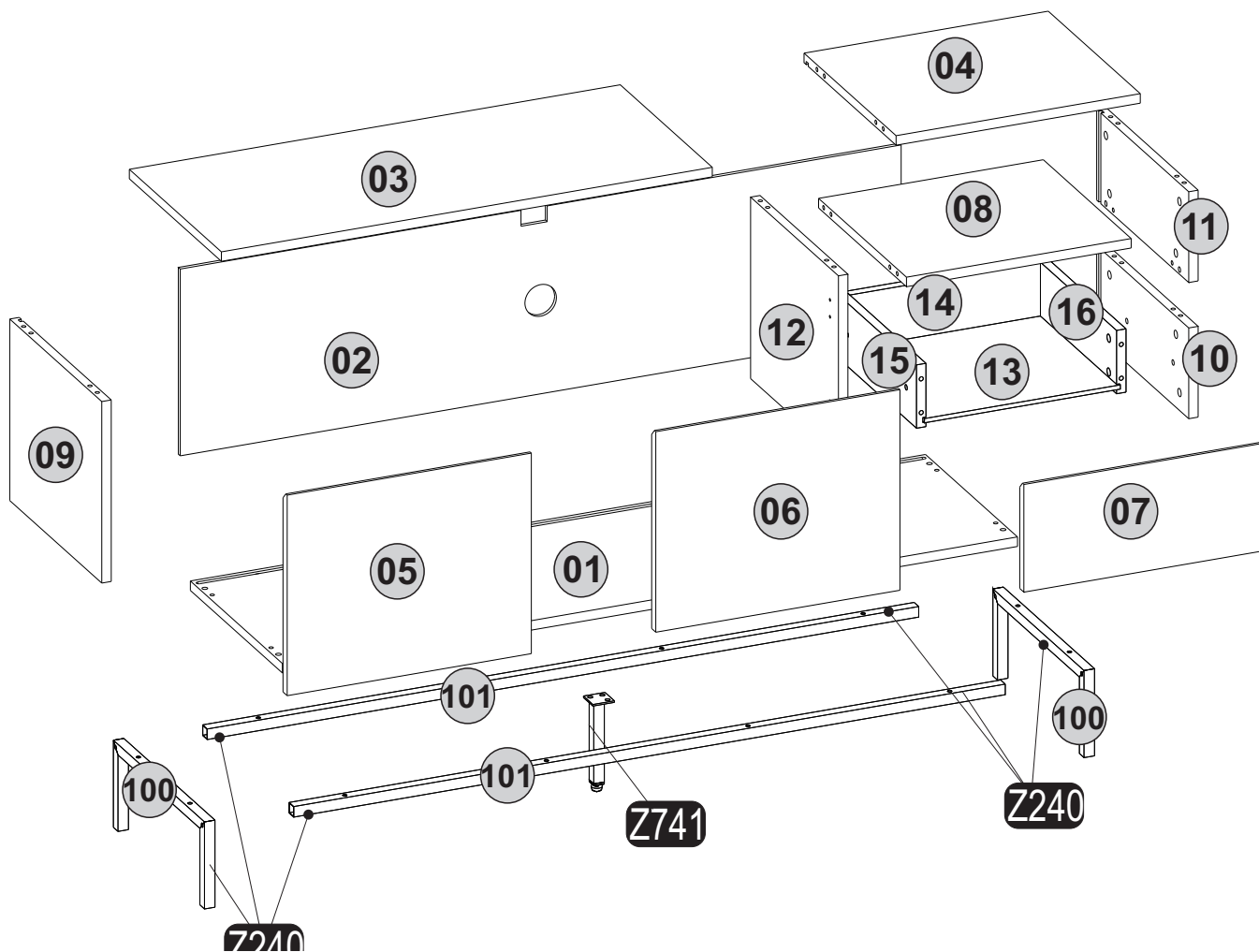
**i** GP037-0329,2



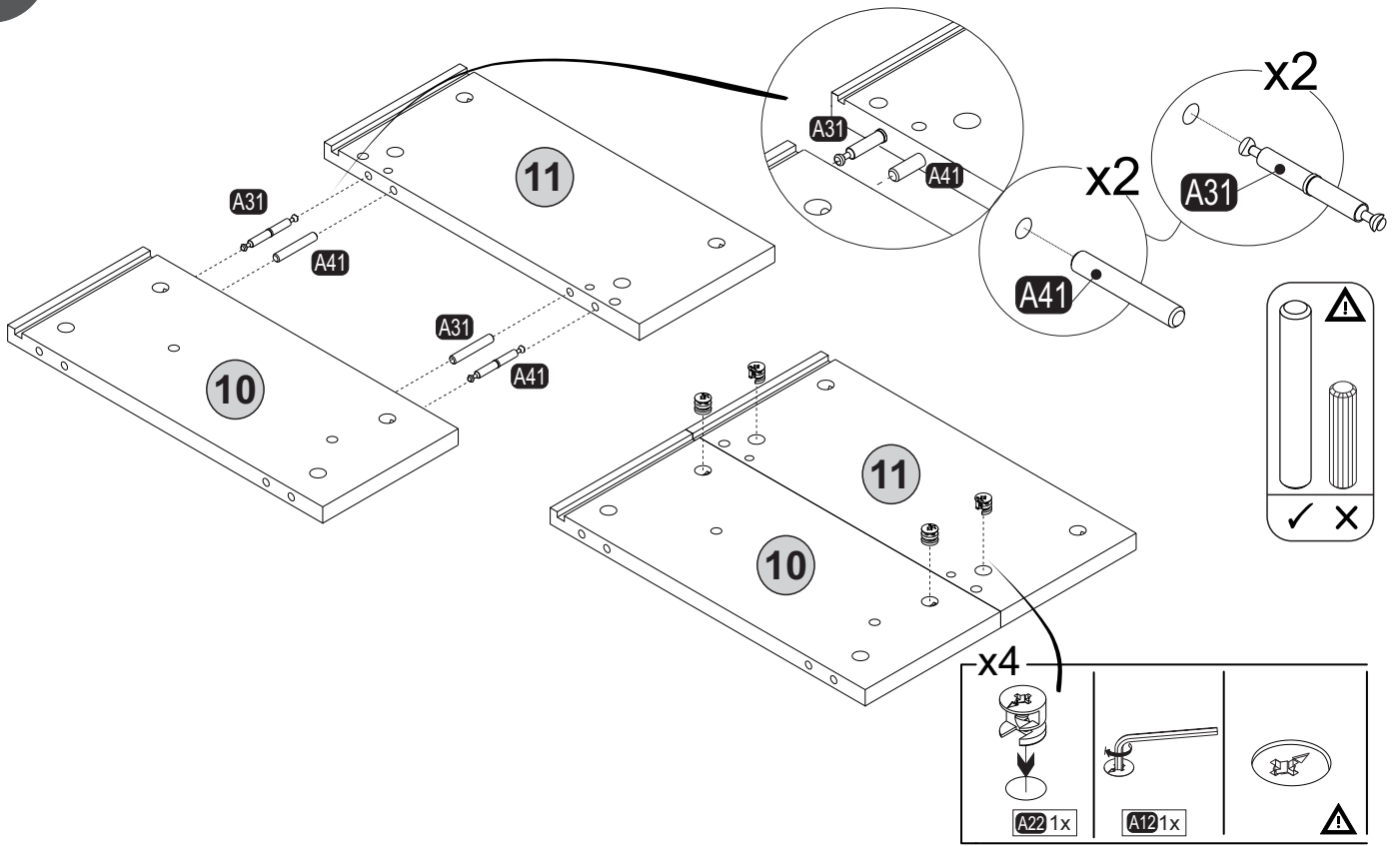
140 x 41,8 x 55cm

# HARDWARE LIST

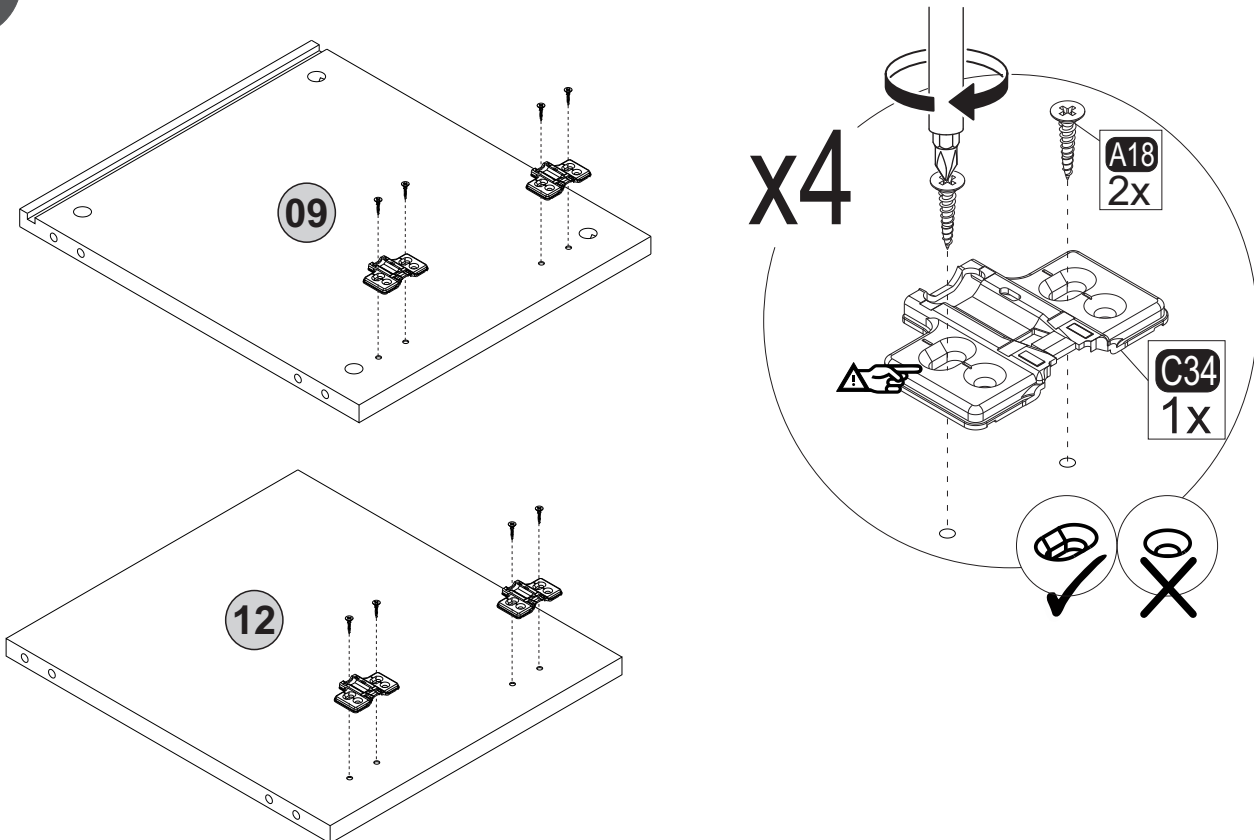
<b>A04</b> Ø8x30  16x	<b>A06</b> 18mm  C1-18x C2-14x	<b>A12</b> Allen  1x	<b>A16</b> DbØ8  1x	<b>A17</b> 4X50  1x
<b>A18</b> 3,5x18  35x	<b>A22</b> Minifix k18  32x	<b>A23</b> Minifix M10  24x	<b>A25</b> ARK.PL  9x	<b>A69</b> P.D.  15x
<b>A31</b> DFM6-68  4x	<b>A41</b> Ø8x55  4x	<b>A87</b> 15x90x30  1x	<b>A130</b> T.R.D.  8x	<b>Z83</b> 35x350 TR  1x
<b>B15</b> 15 (black)mm  3x	<b>B12</b> 30 (black)mm  16x	<b>C31</b> DM  2x	<b>C33</b> TM  2x	<b>C34</b> MA  4x
<b>Z27</b> 20x20x18  4x	<b>Z741</b> 170mm  1x	<b>Z240</b>  1x		



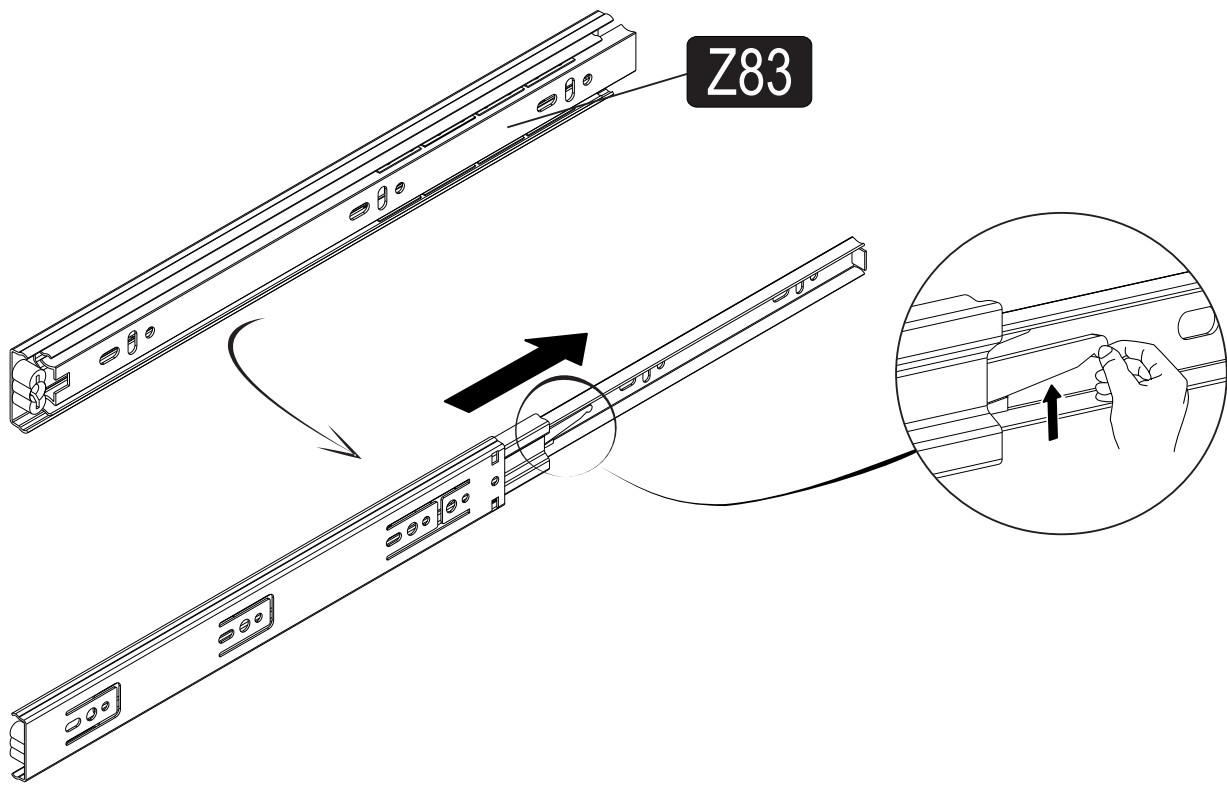
1



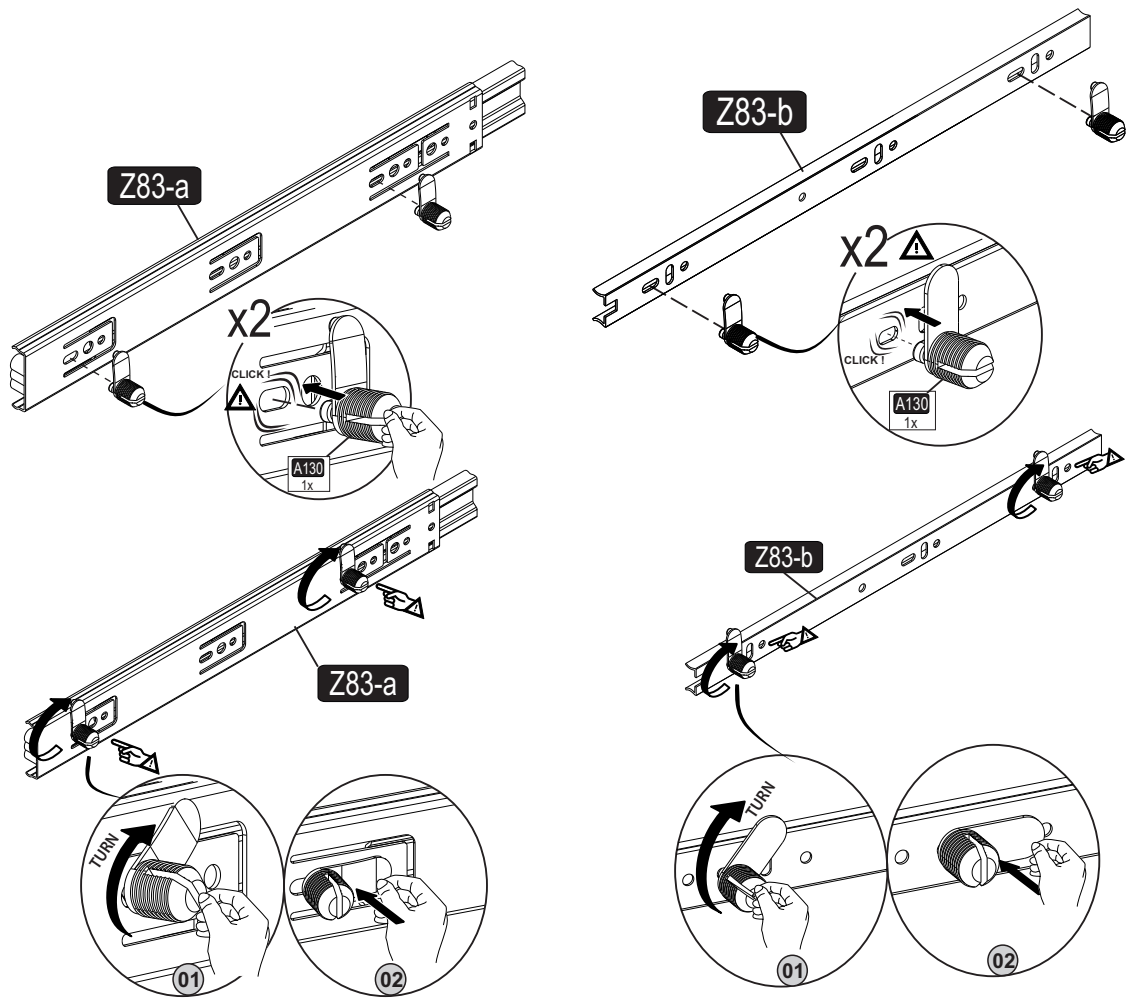
2



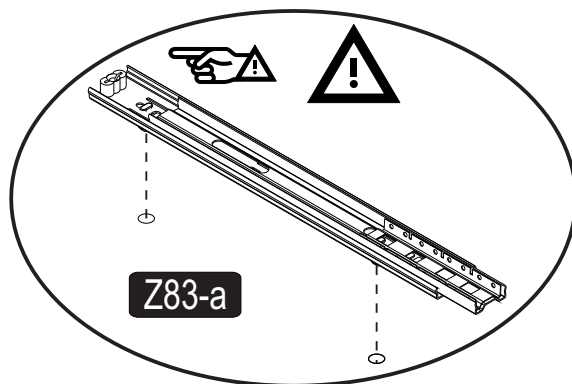
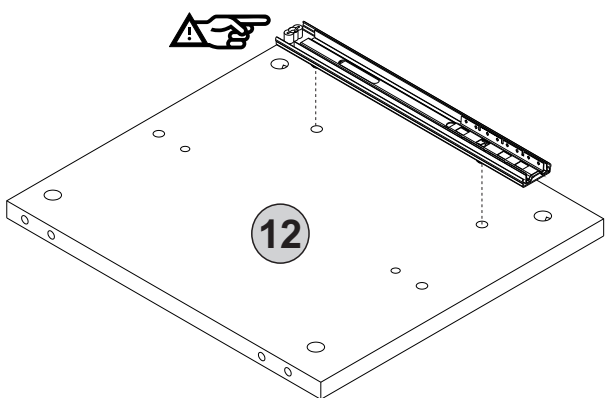
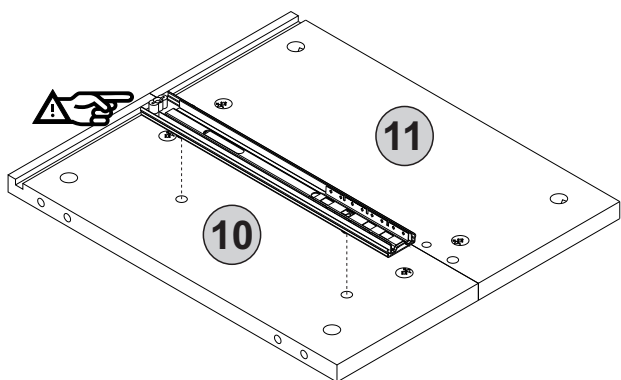
**3 x2**



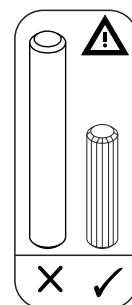
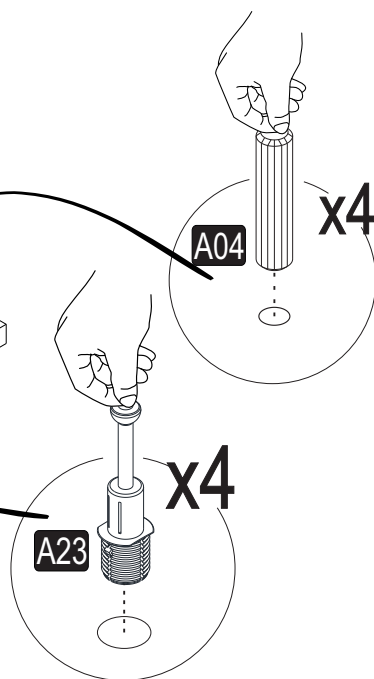
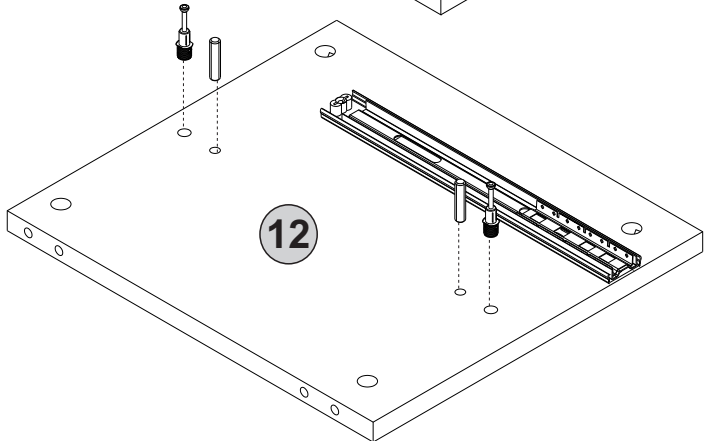
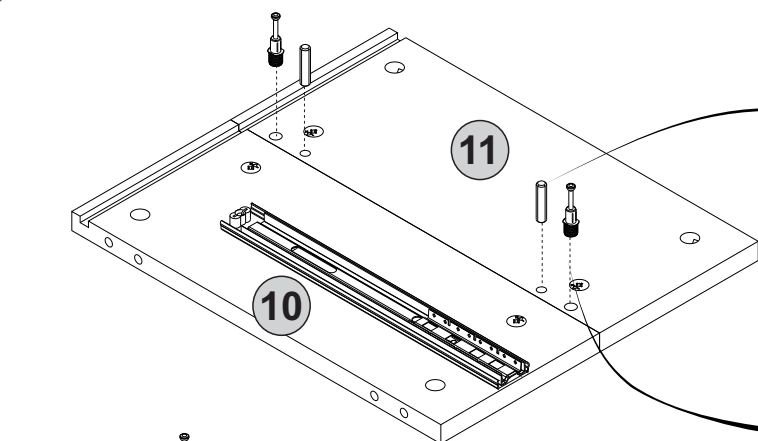
**4 x2**



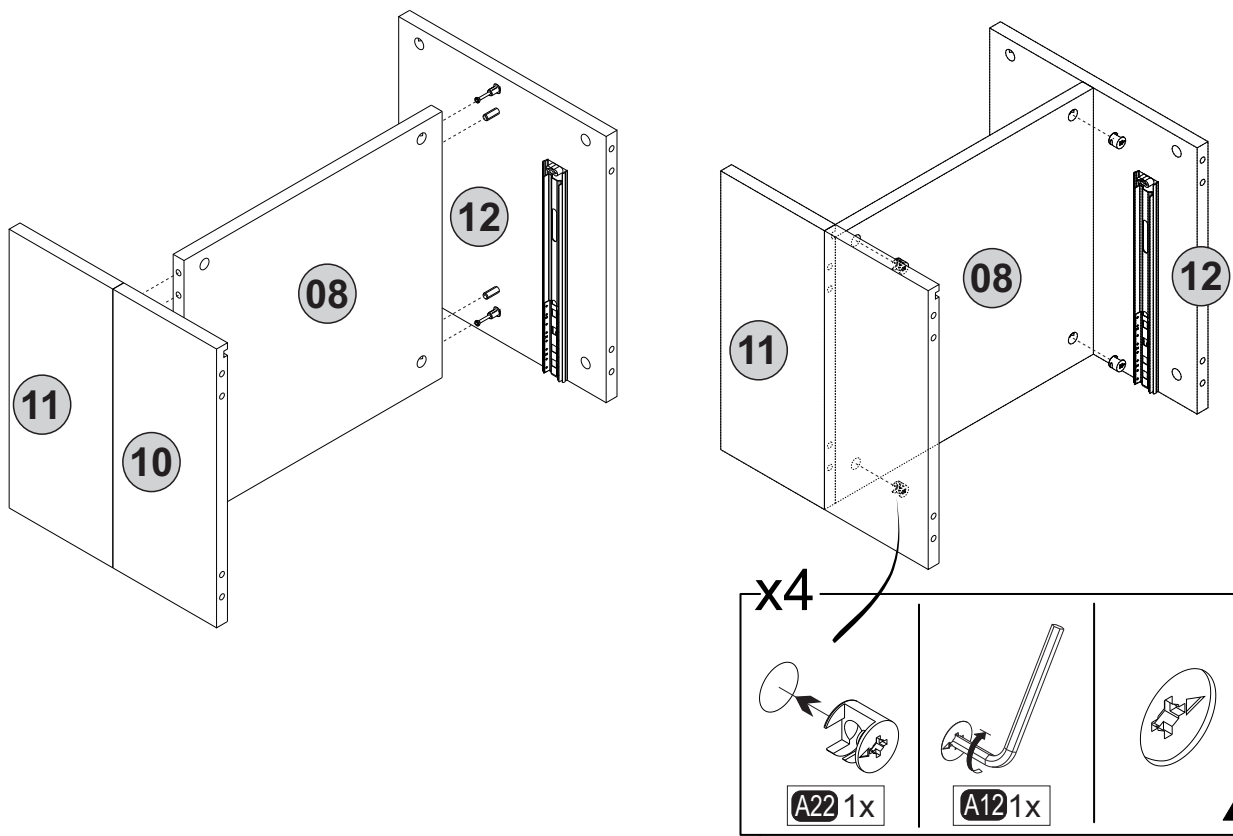
5



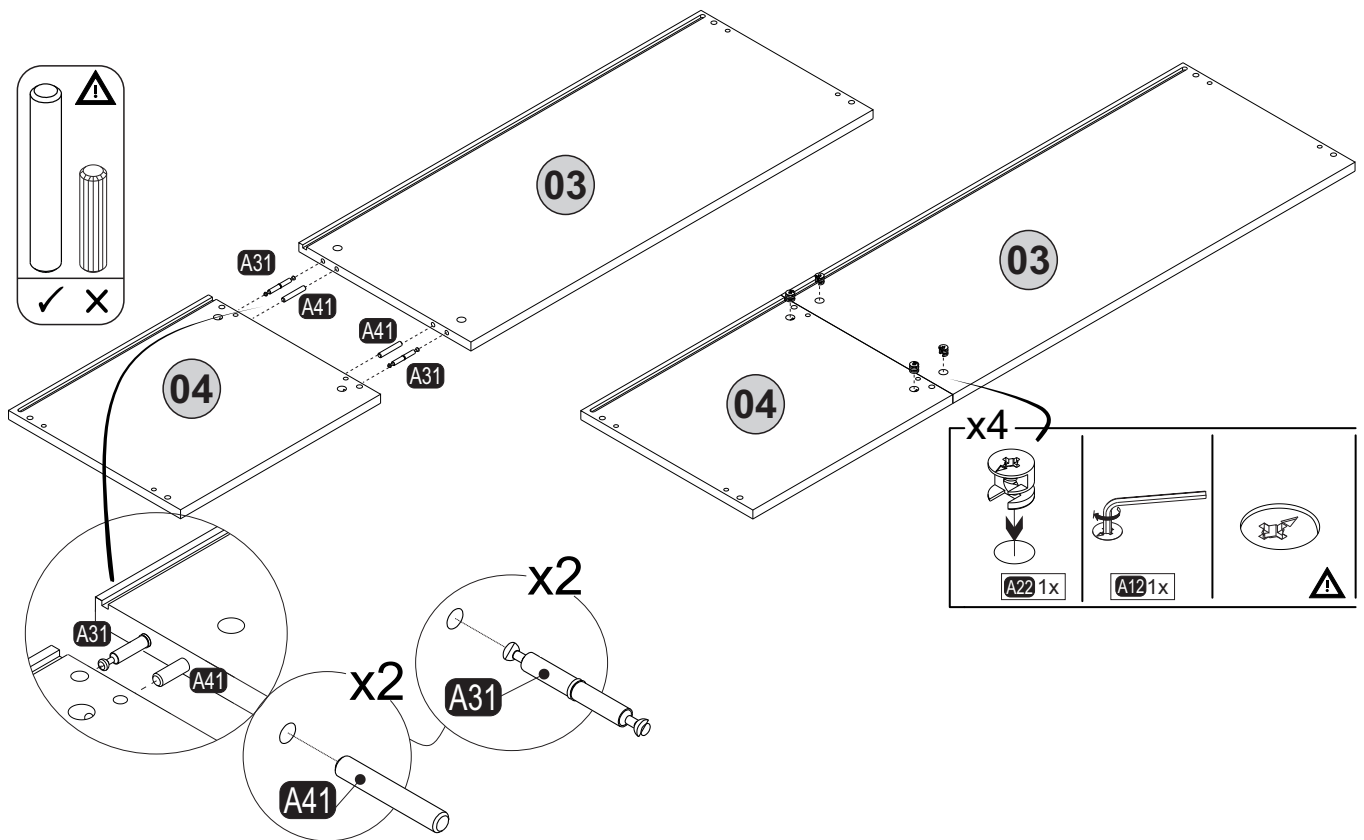
6



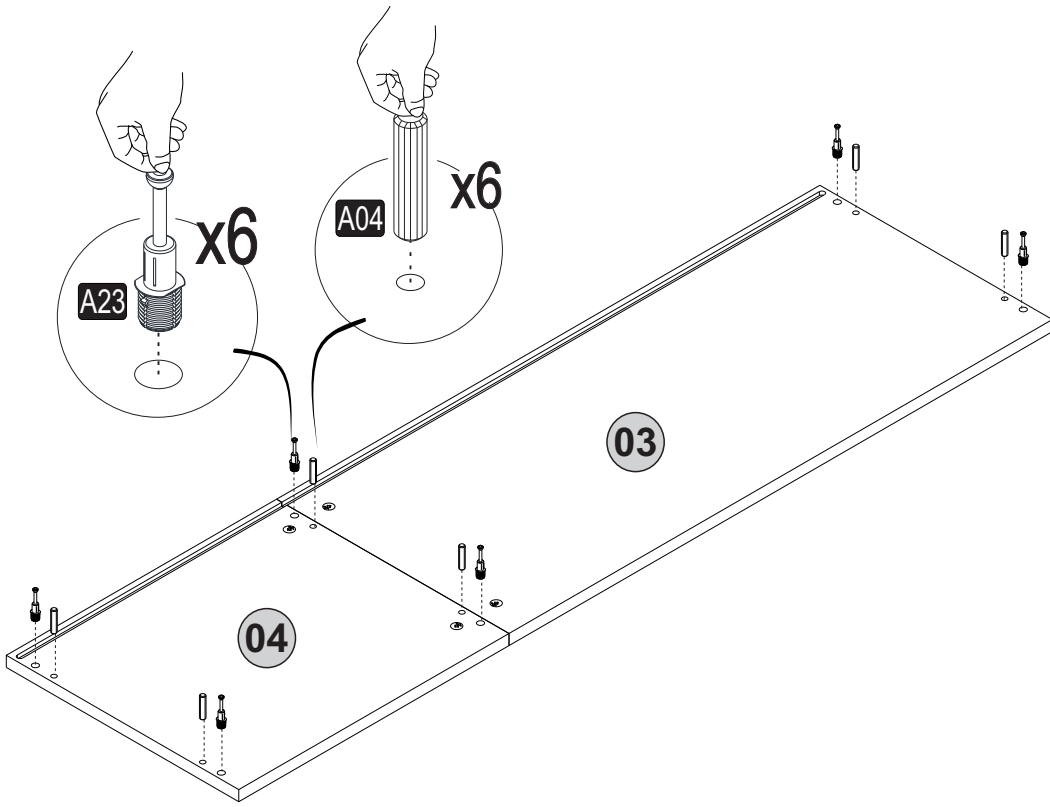
# 7



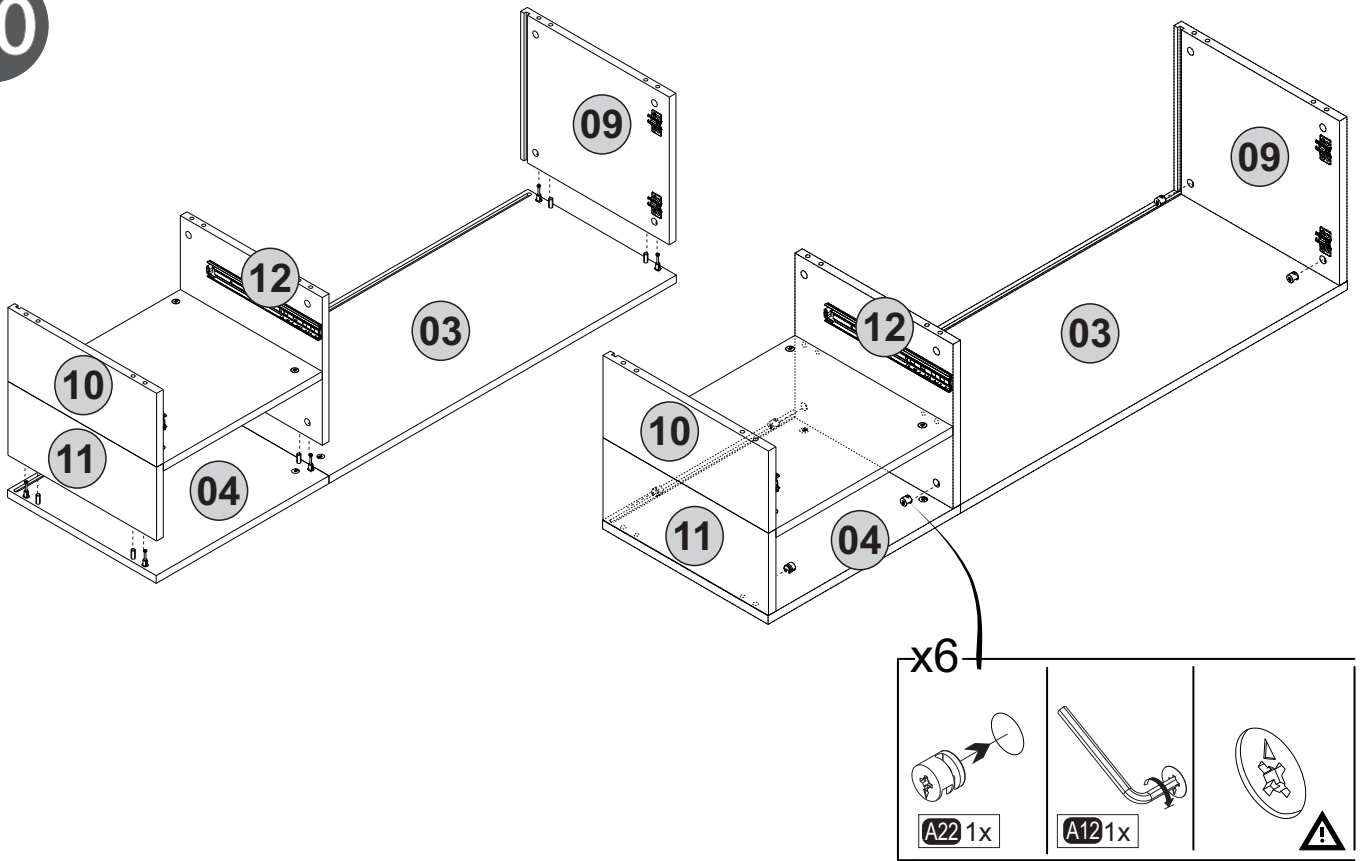
# 8



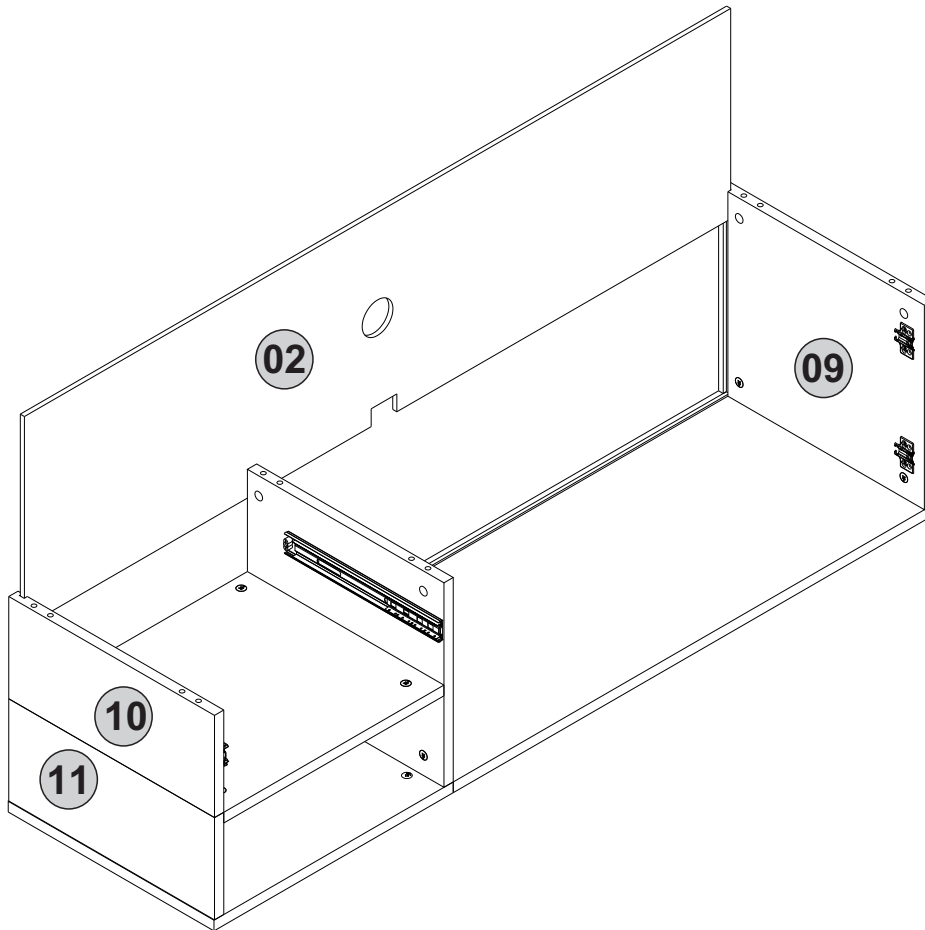
9



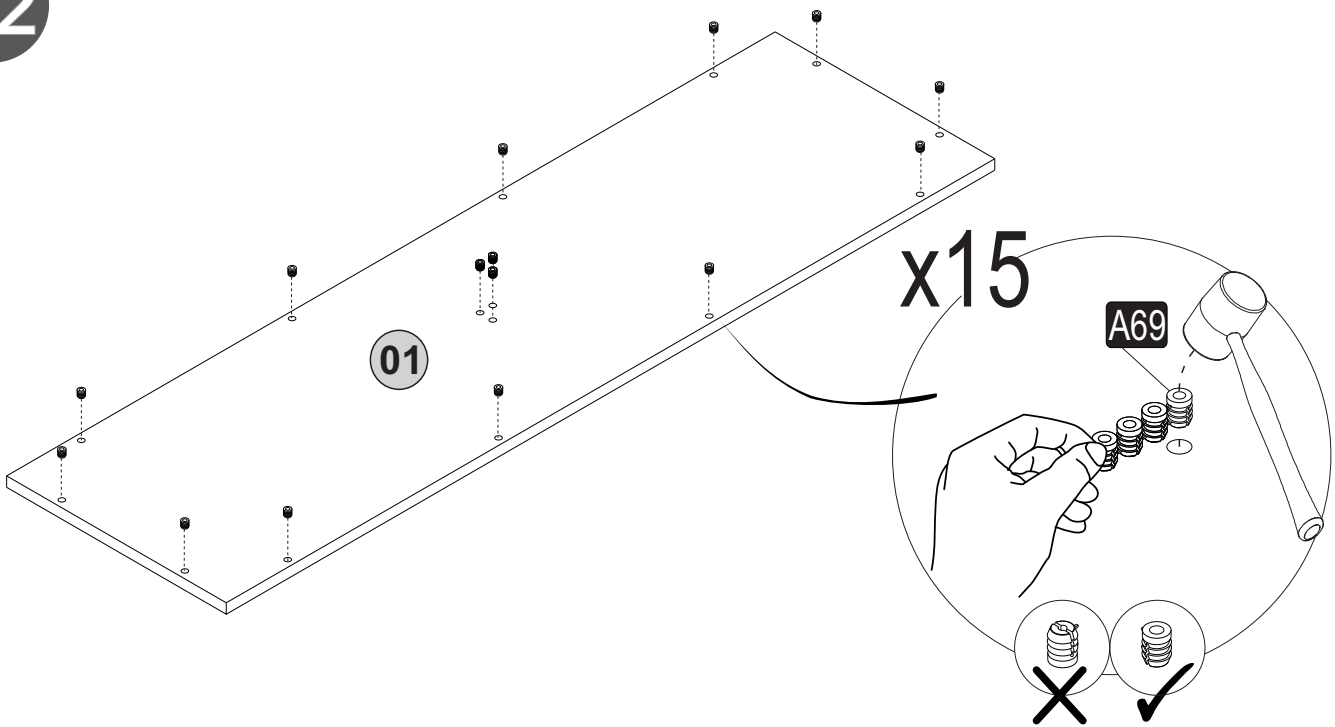
10



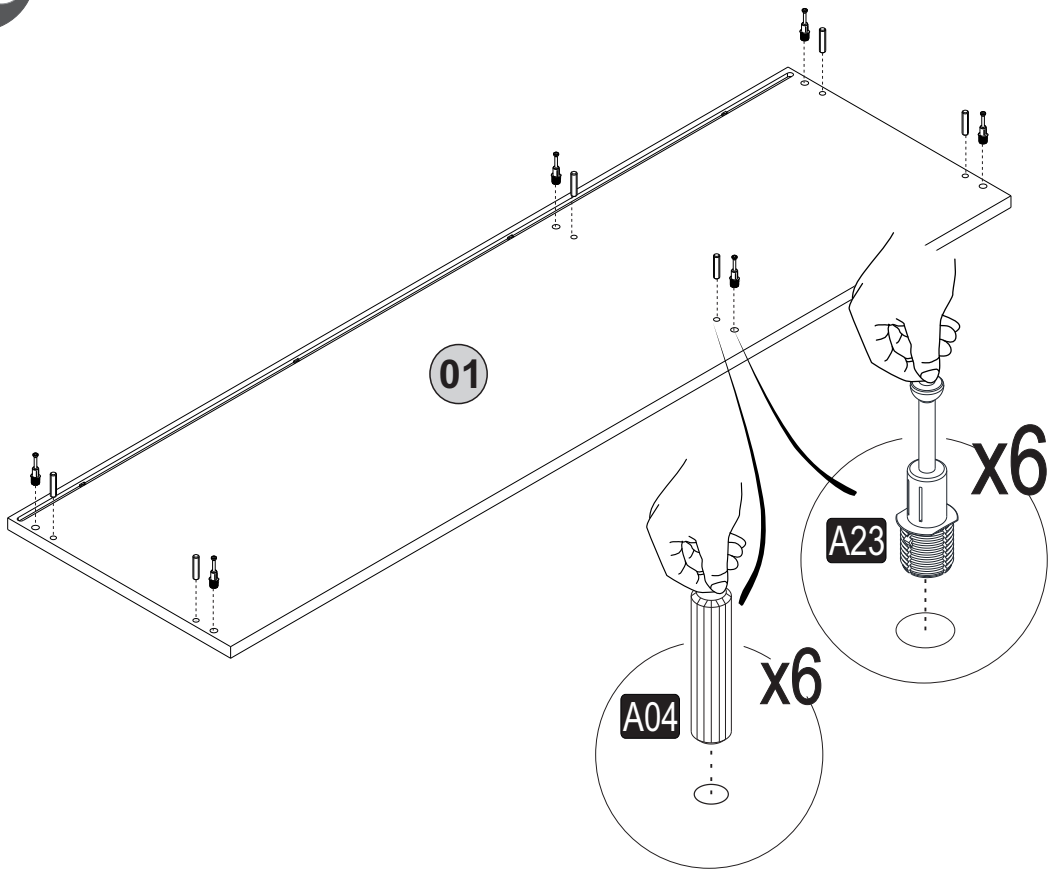
11



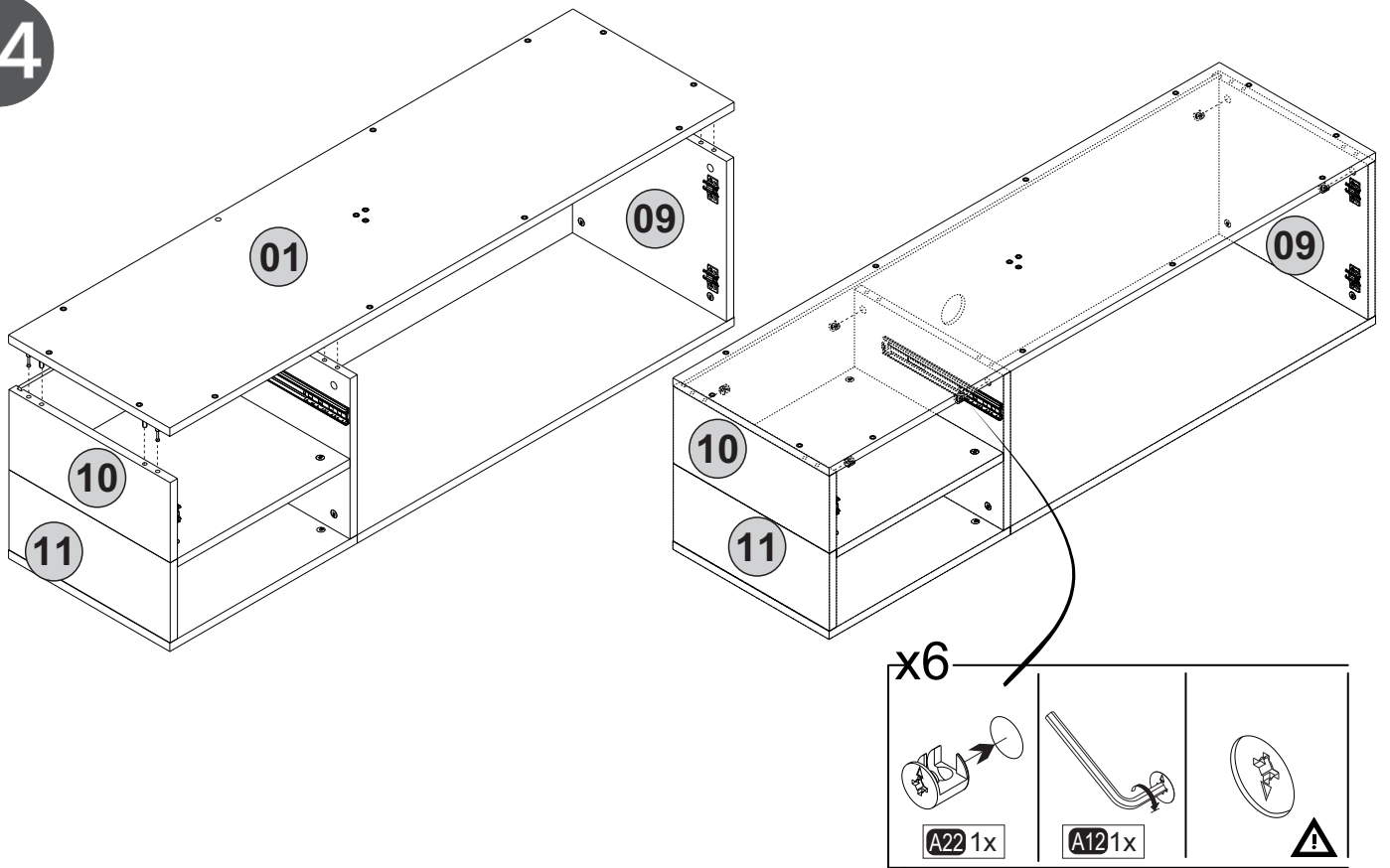
12



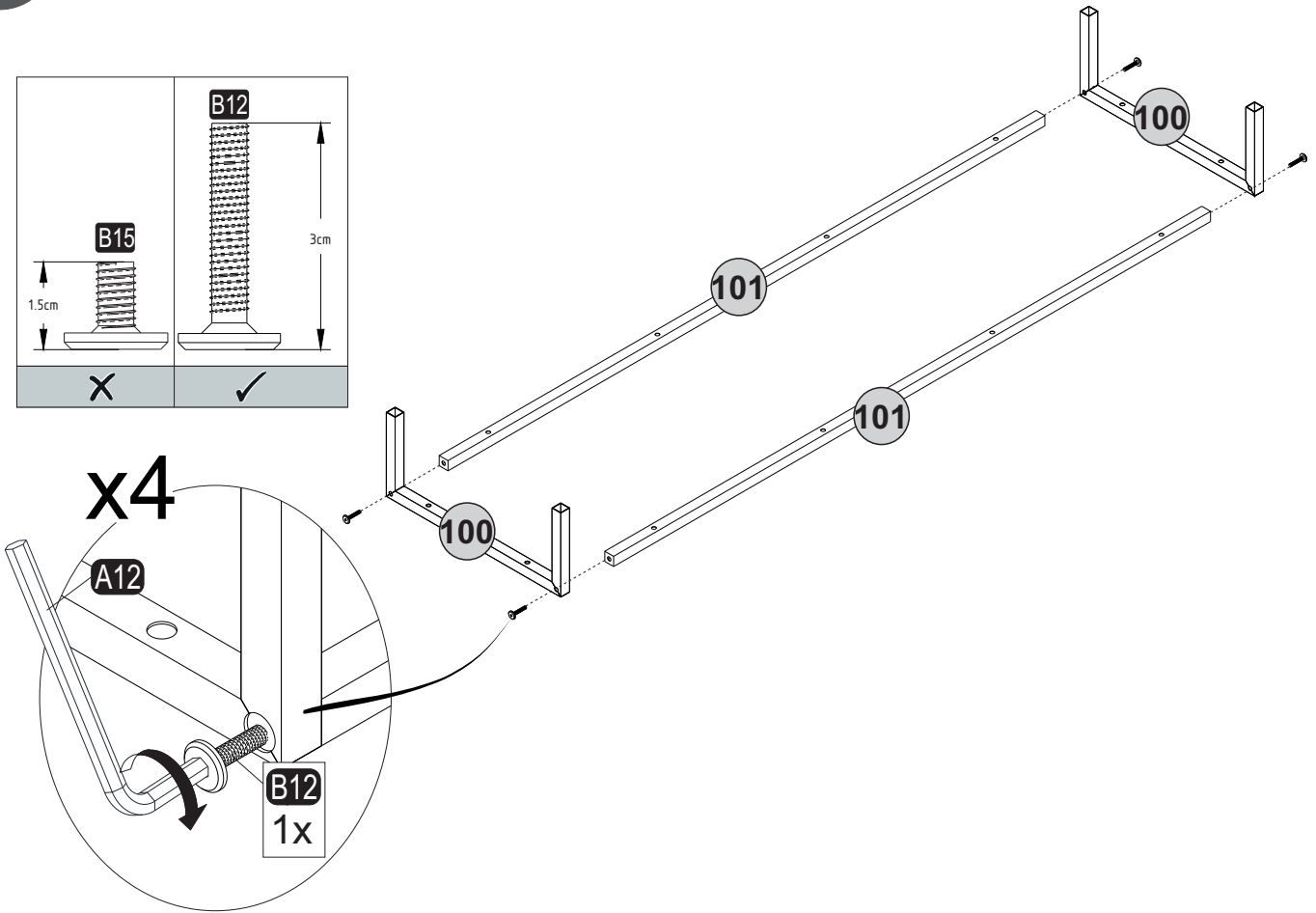
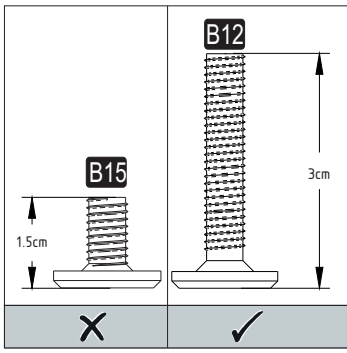
13



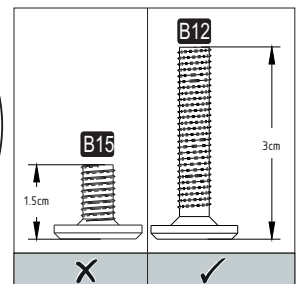
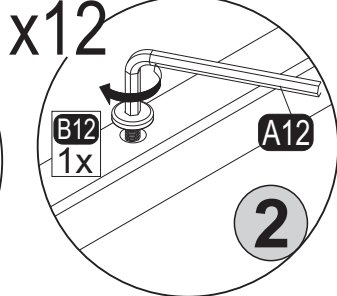
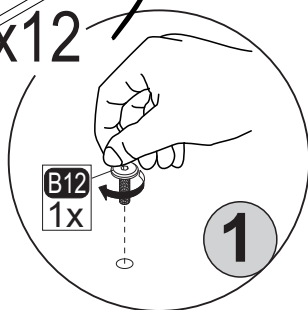
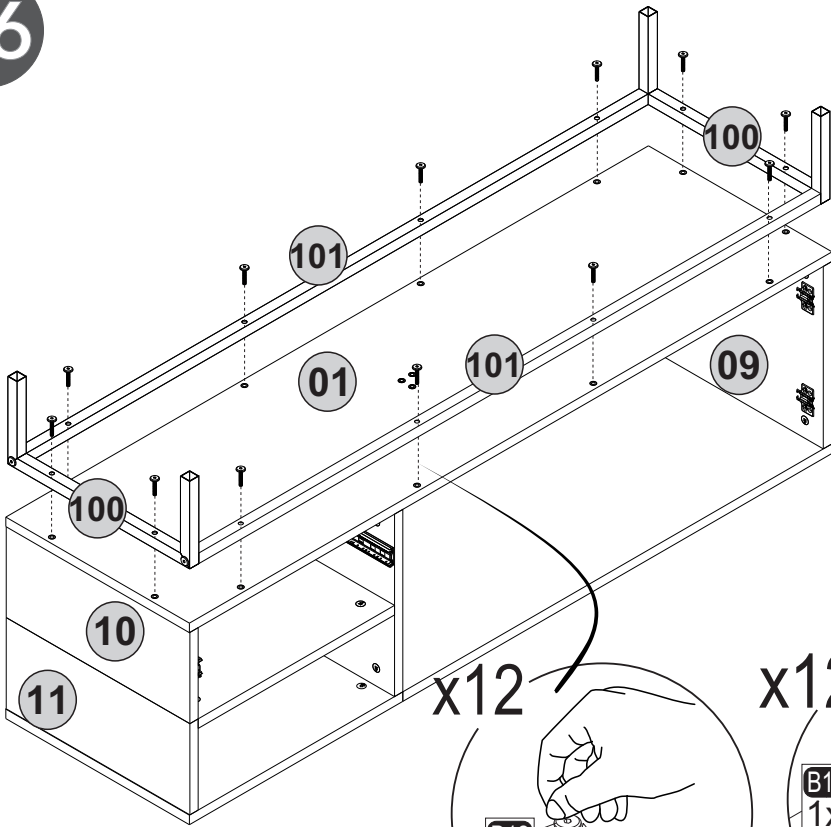
14



# 15

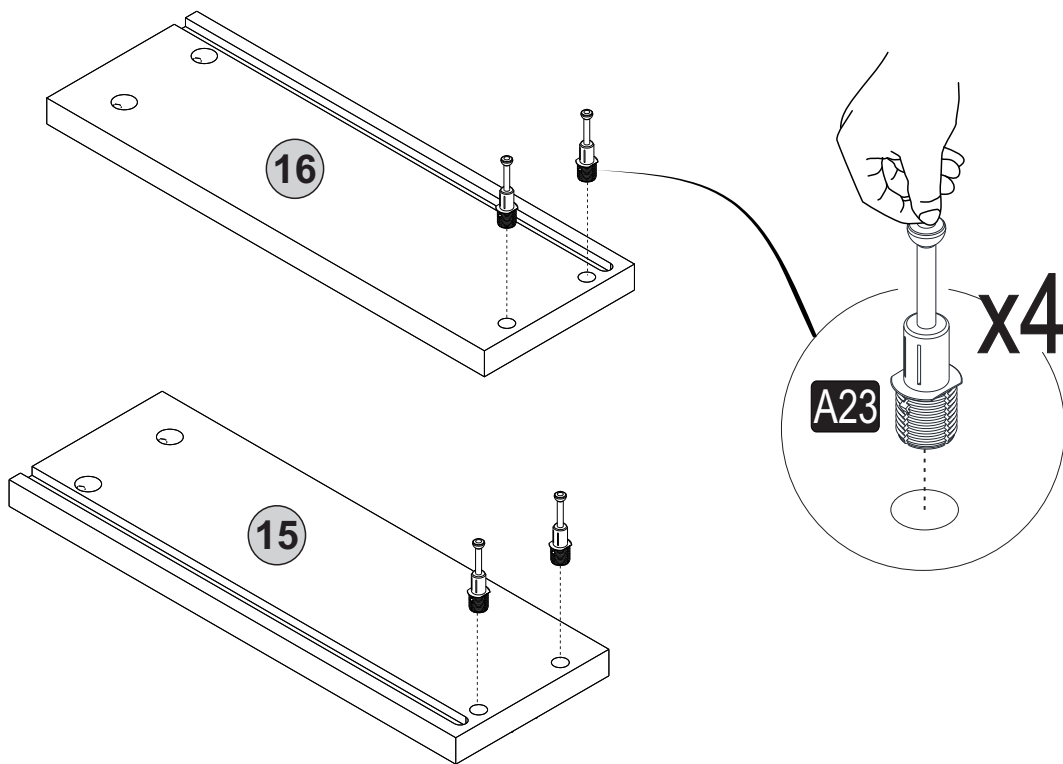


# 16

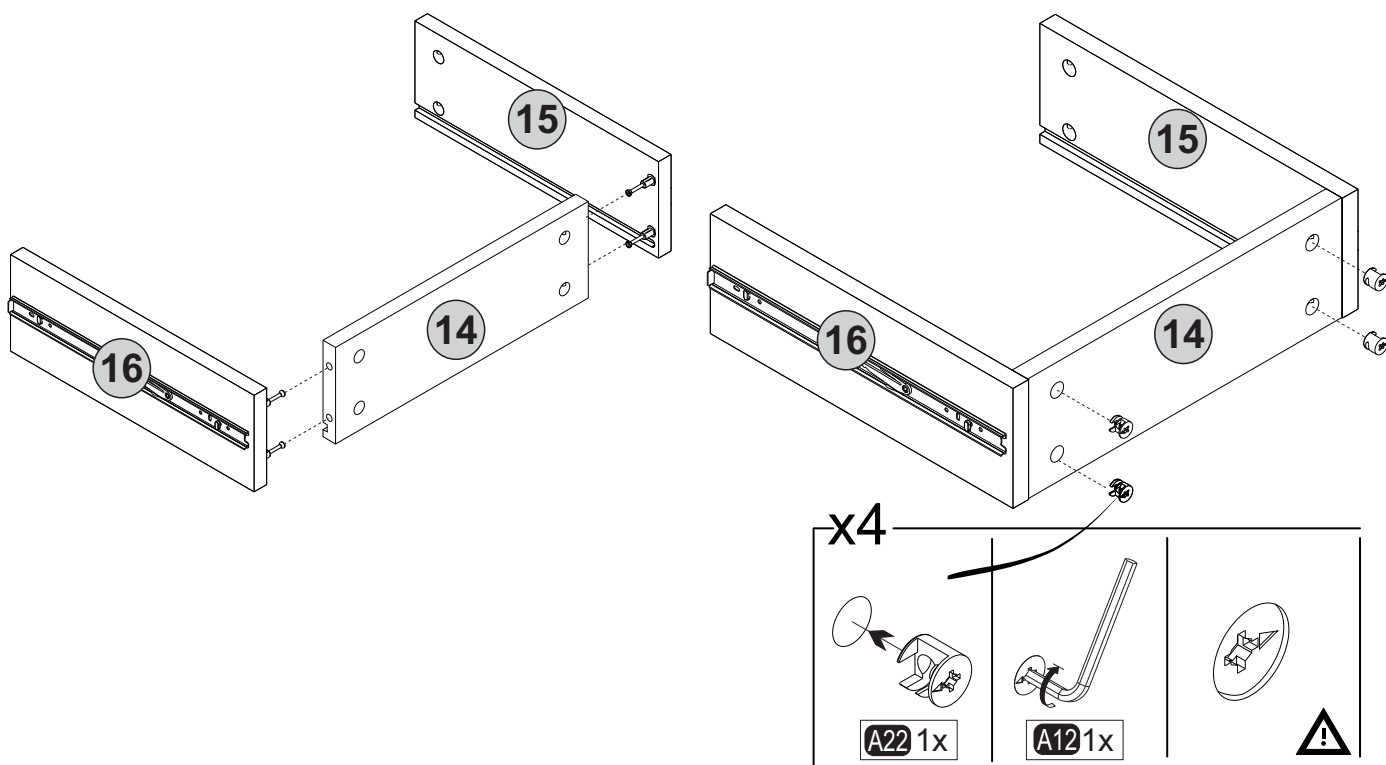




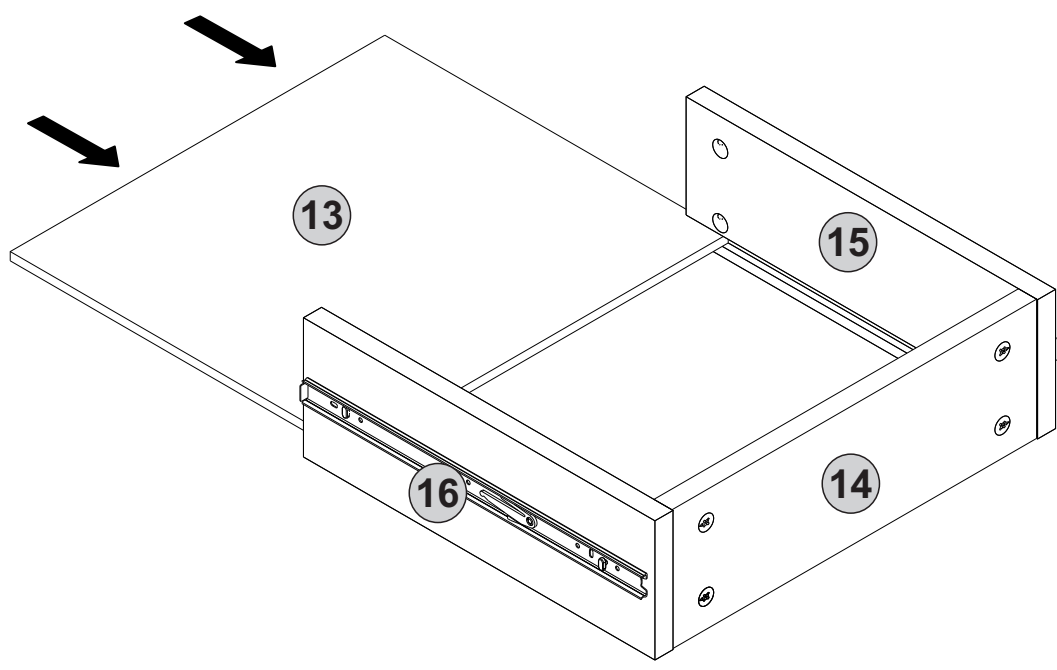
19



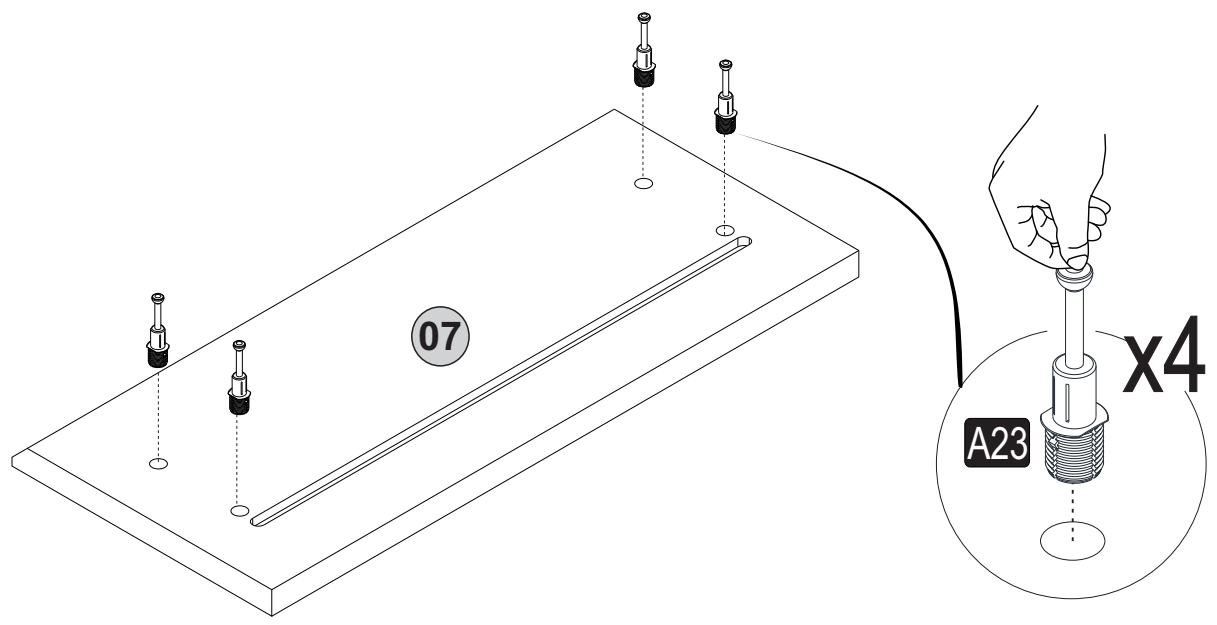
20



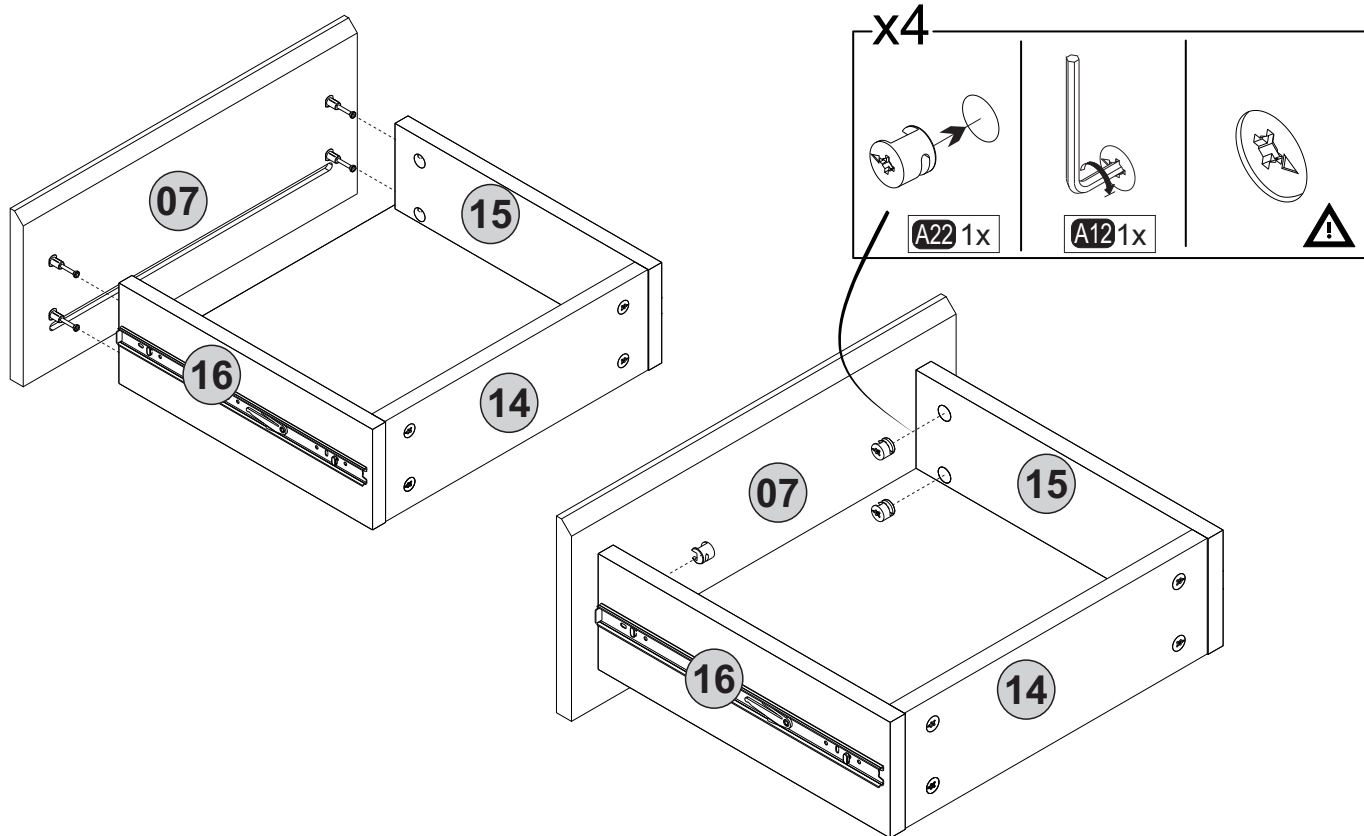
21



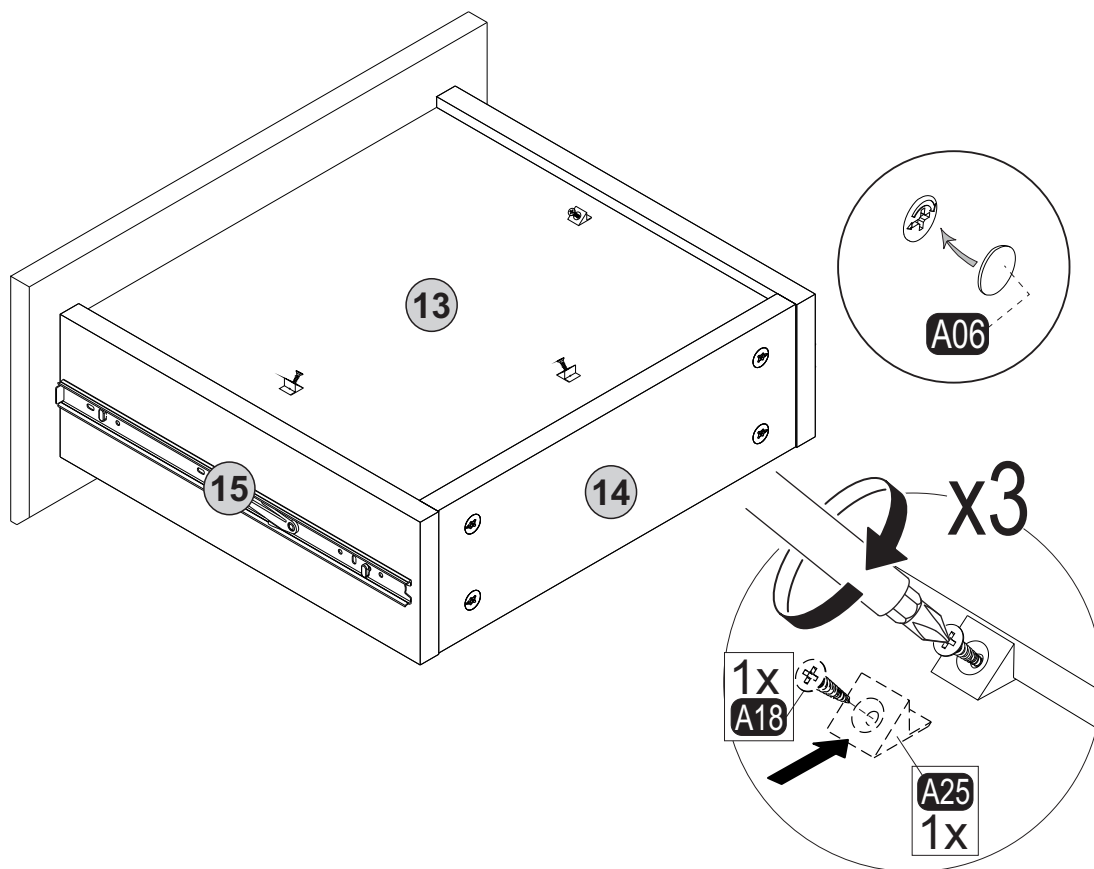
22



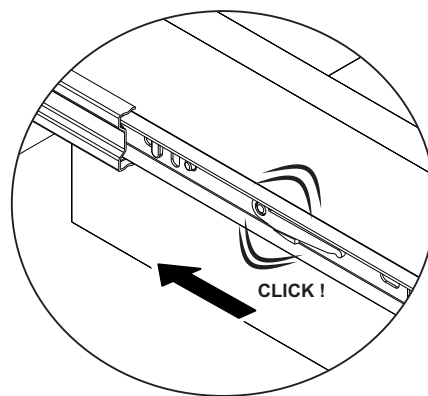
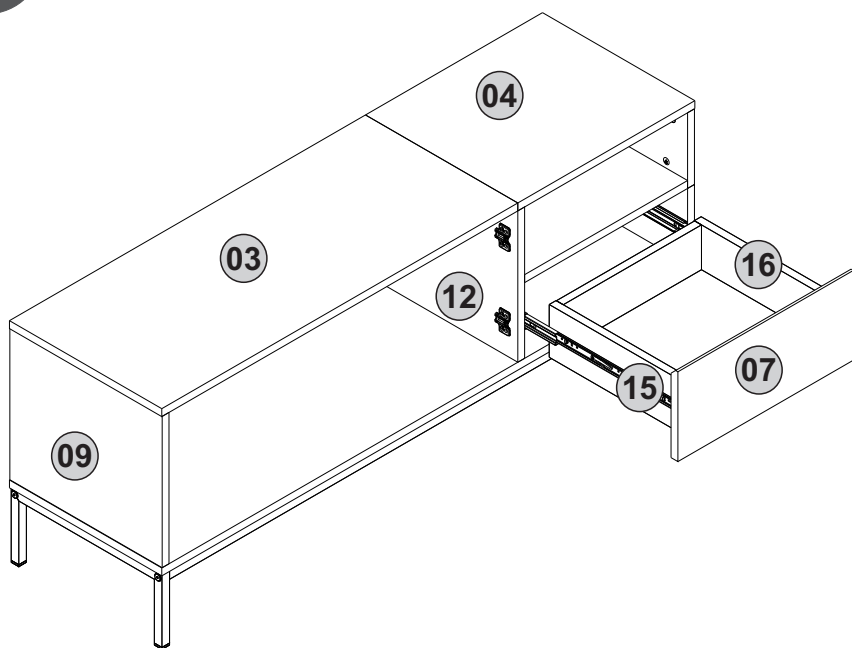
23



24



25



26

