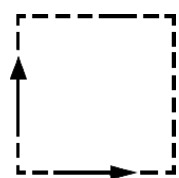




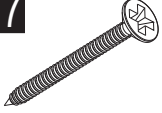

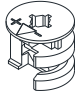
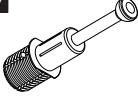
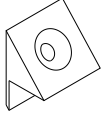

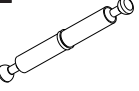
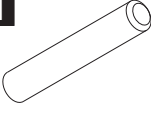
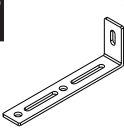


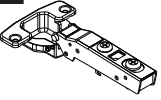
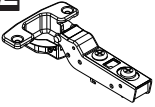
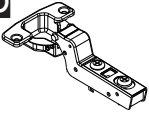
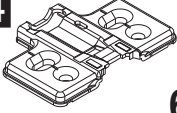
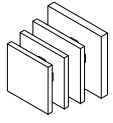


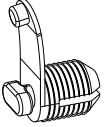
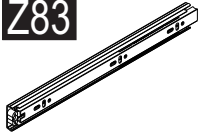


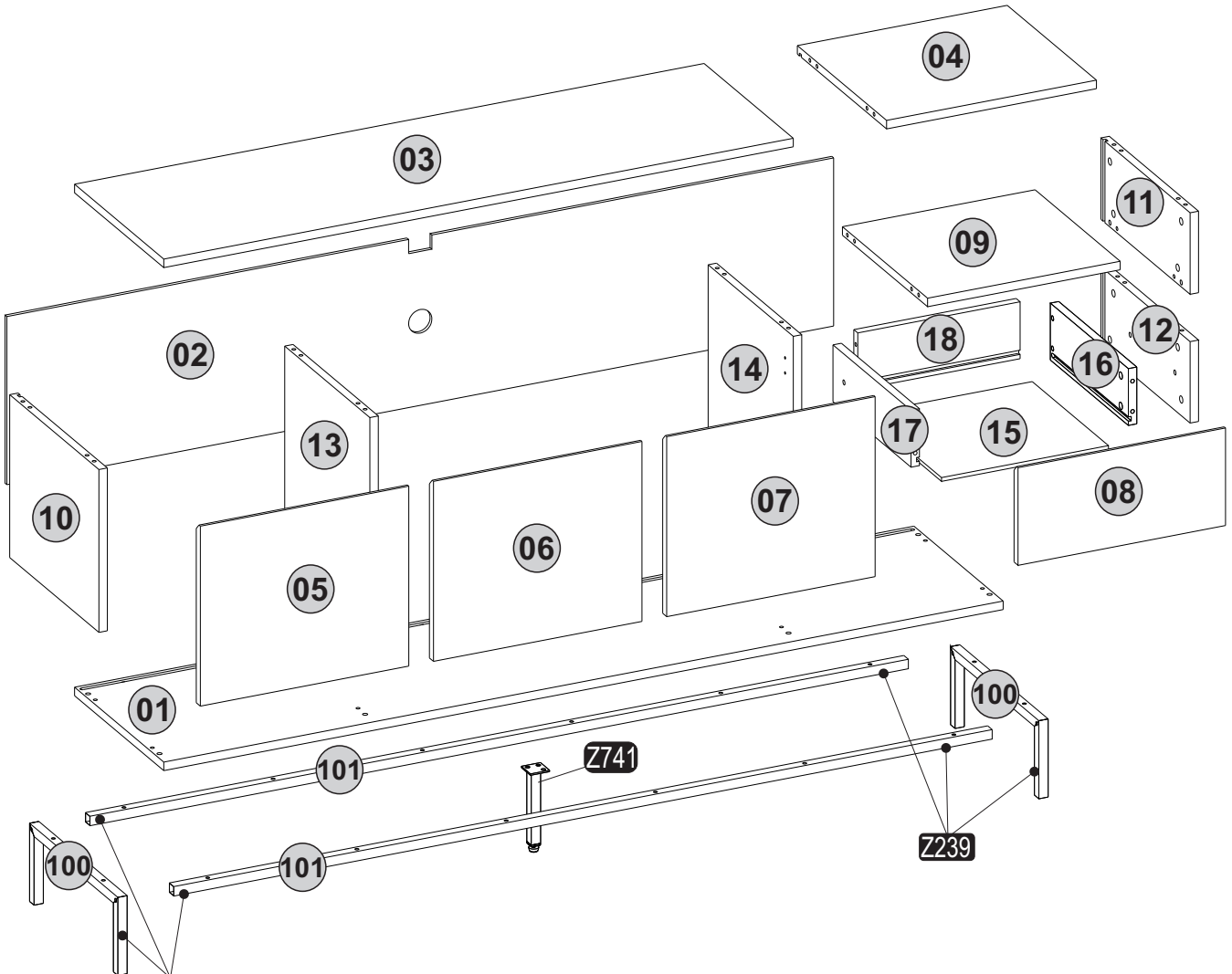
**i** GP037-0330,1



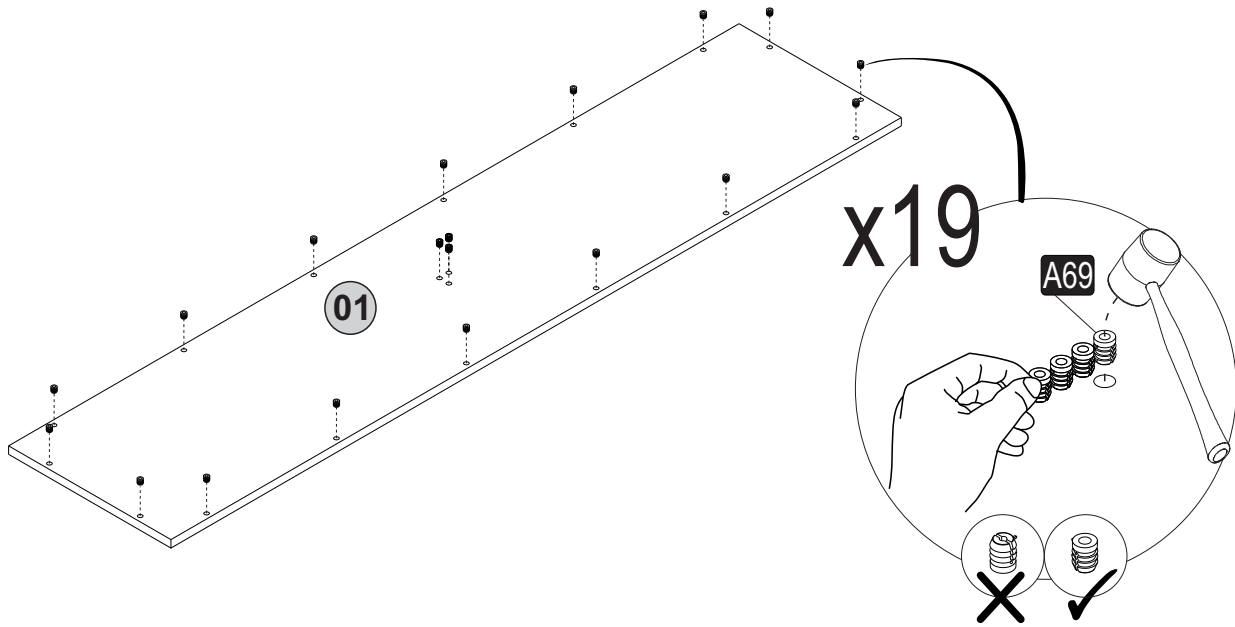
180 x 41,8 x 55cm

# HARDWARE LIST

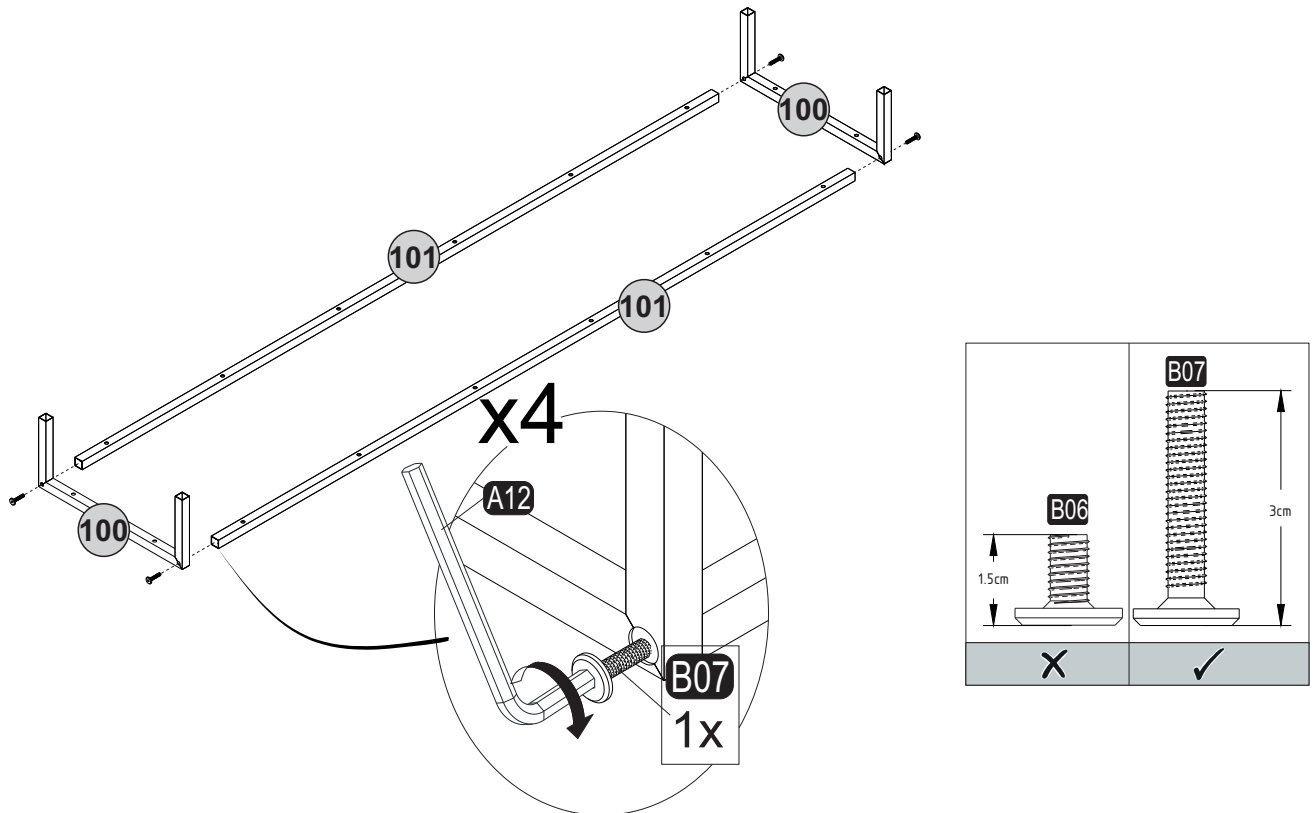
<b>A04</b> Ø8x30 20x 	<b>A06</b> 18mm C1-22x C2-14x 	<b>A12</b> Allen 1x 	<b>A16</b> DbØ8 1x 	<b>A17</b> 4x50 1x 
<b>A18</b> 3,5x18 48x 	<b>A22</b> Minifix k18 36x 	<b>A23</b> Minifix M10 28x 	<b>A25</b> ARK.PL 10x 	<b>A69</b> P.D. 19x 
<b>A31</b> DFM6- 68 4x 	<b>A41</b> Ø8x55 4x 	<b>A87</b> 15x90x30 1x 	<b>B06</b> 15 mm 3x 	<b>B07</b> 30 mm 20x 
<b>C31</b> DM 2x 	<b>C32</b> YM 2x 	<b>C33</b> TM 2x 	<b>C34</b> MA 6x 	<b>Z27</b> 20x20x18 4x 
<b>Z741</b> 170mm 1x 	<b>Z239</b> 1x 	<b>A130</b> T.R.D. 8x 	<b>Z83</b> 35x350 TR 1x 	



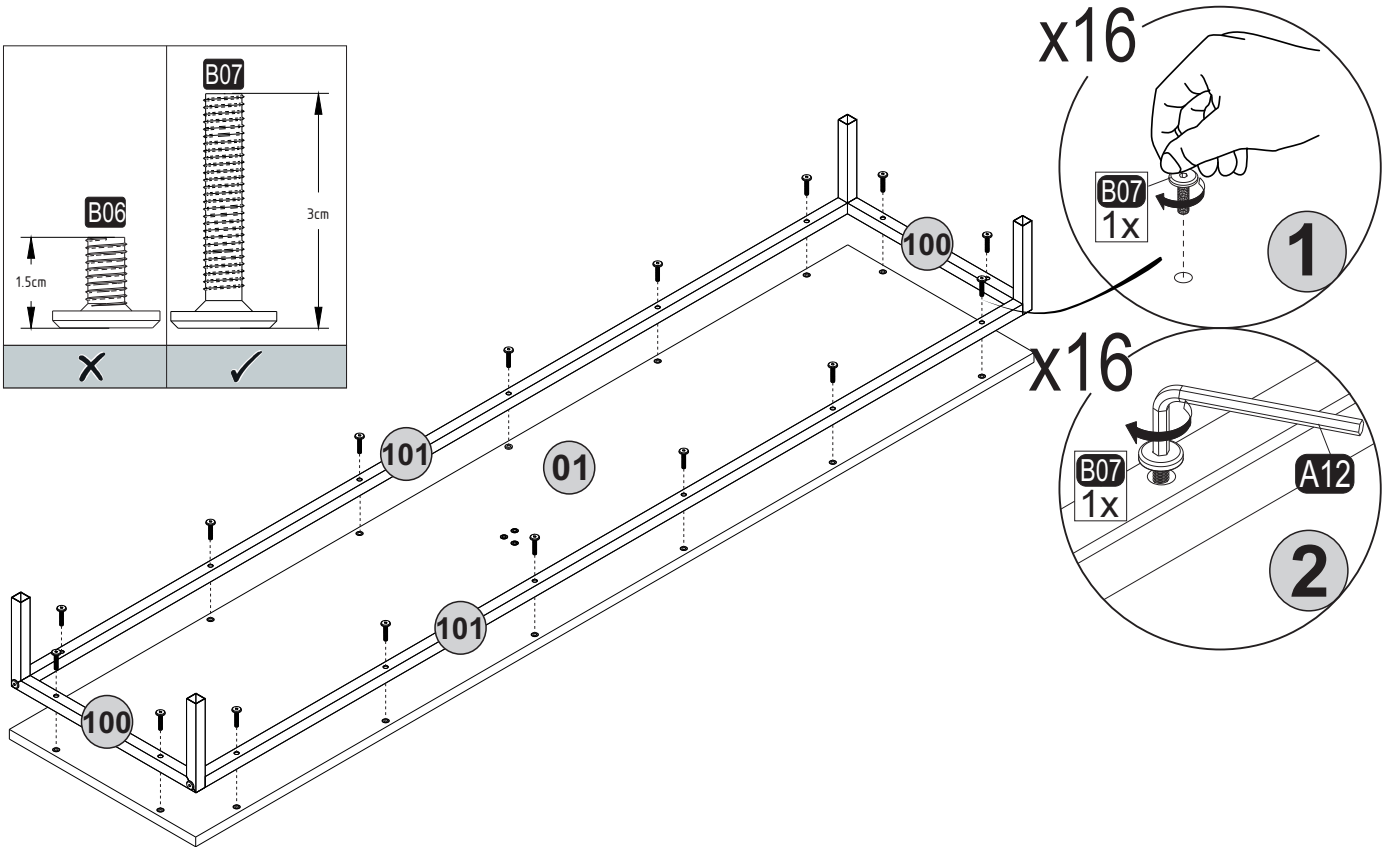
1



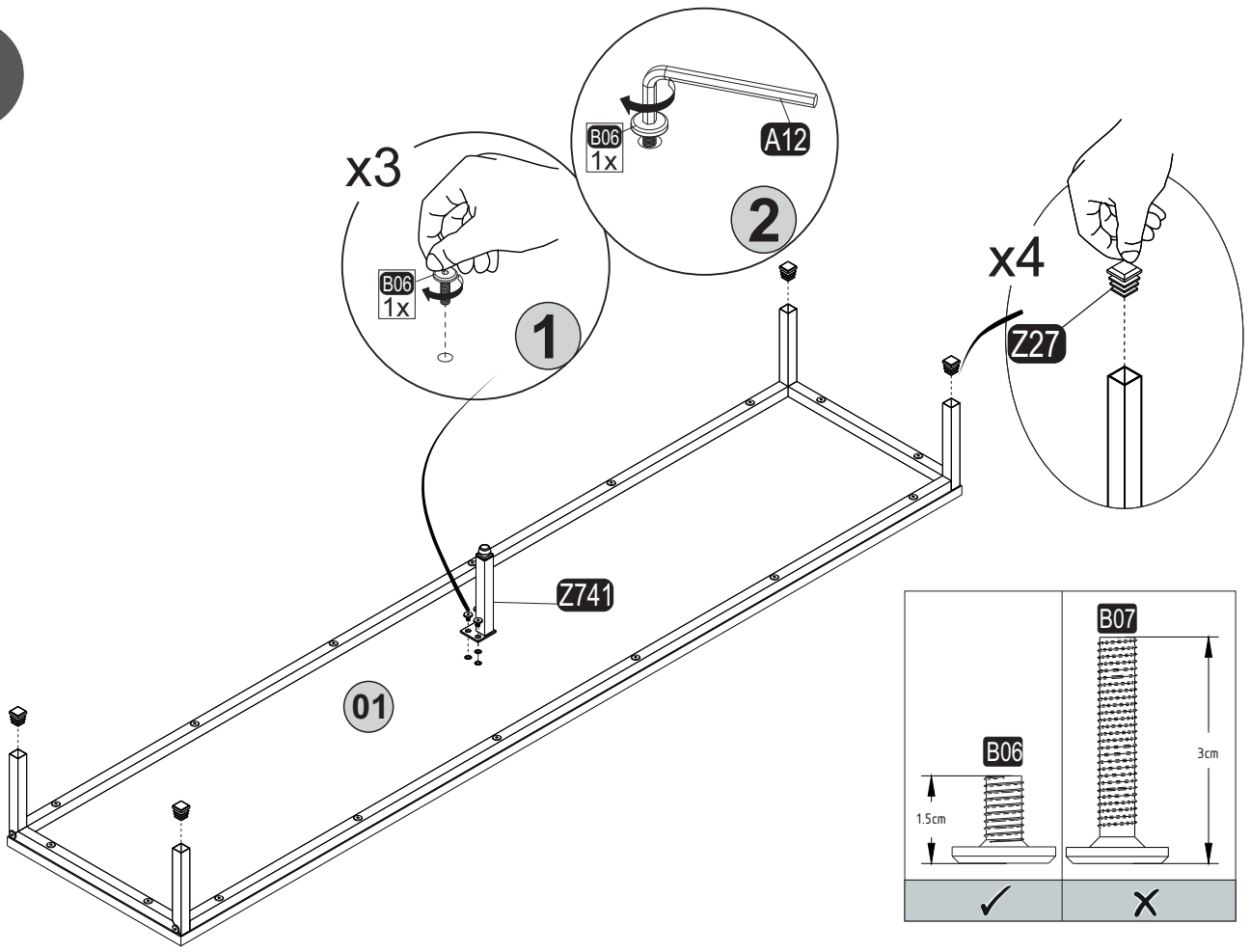
2



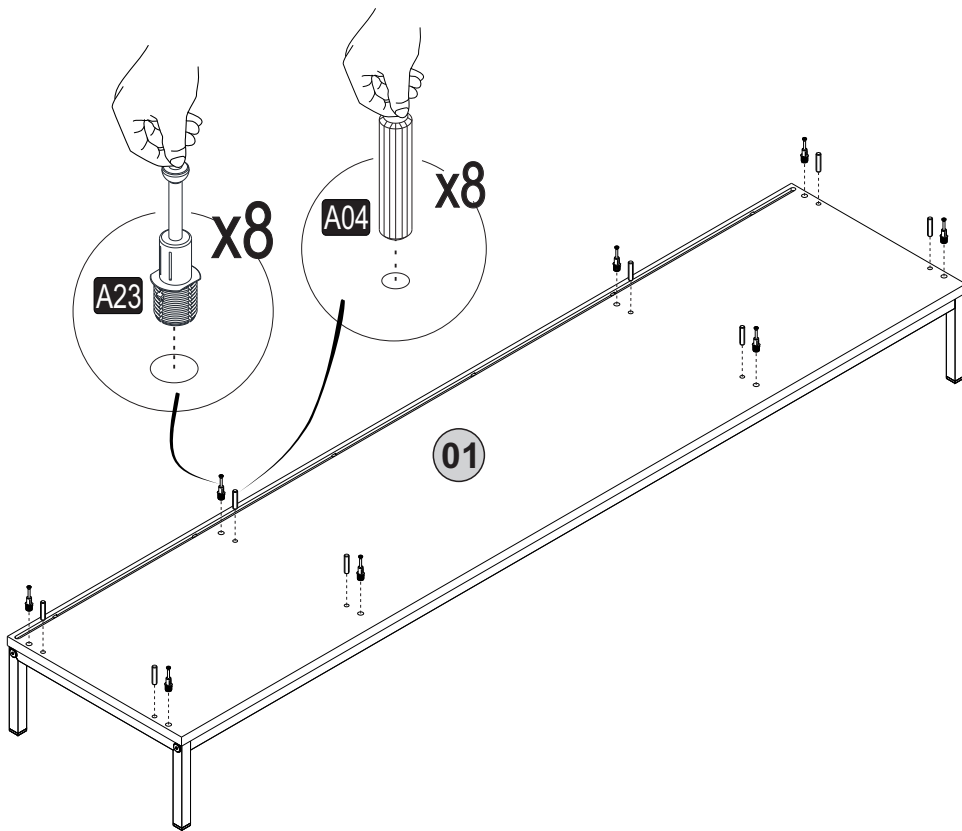
3



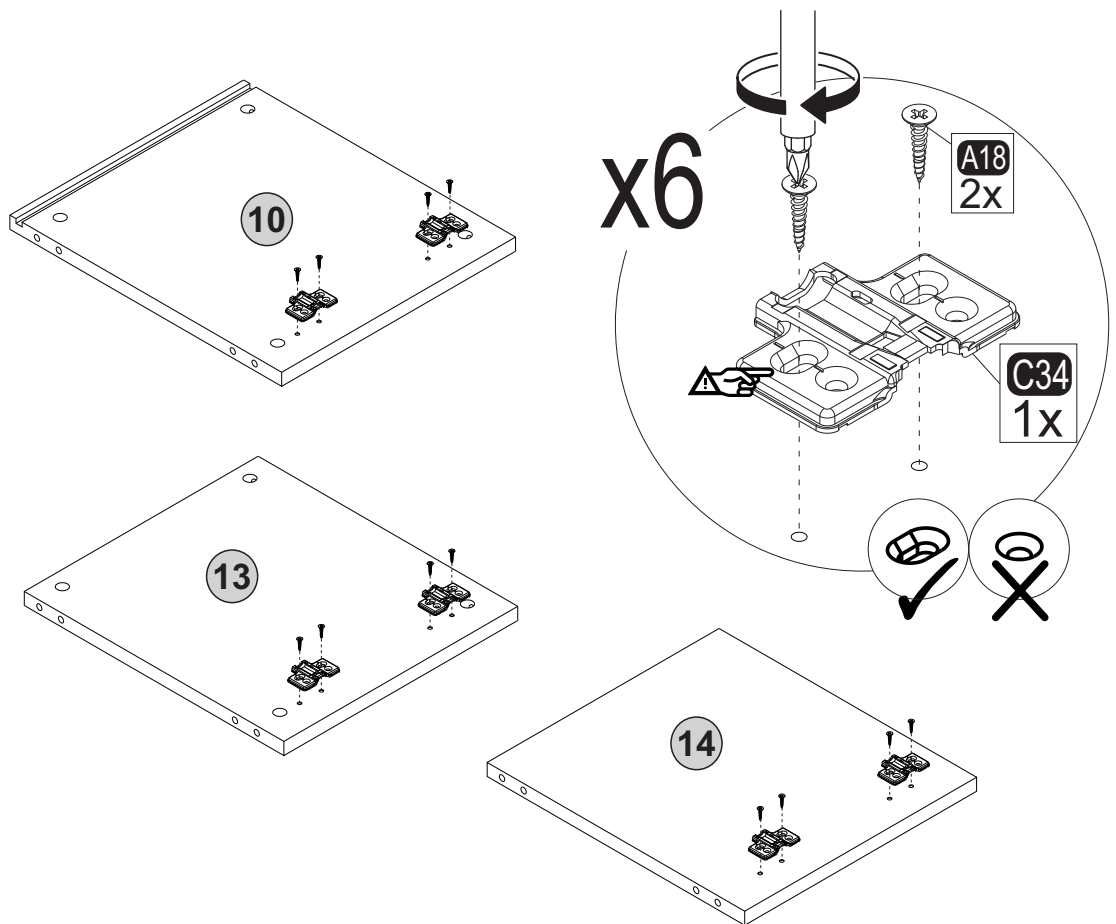
4



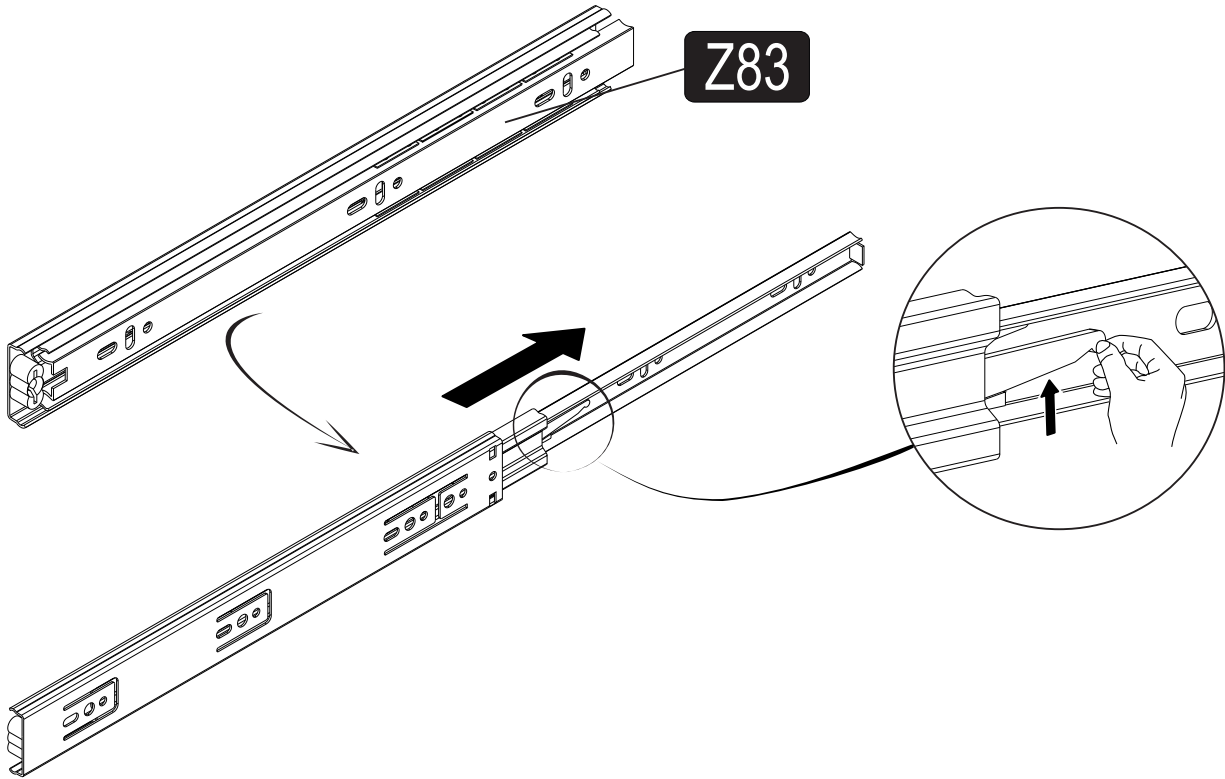
5



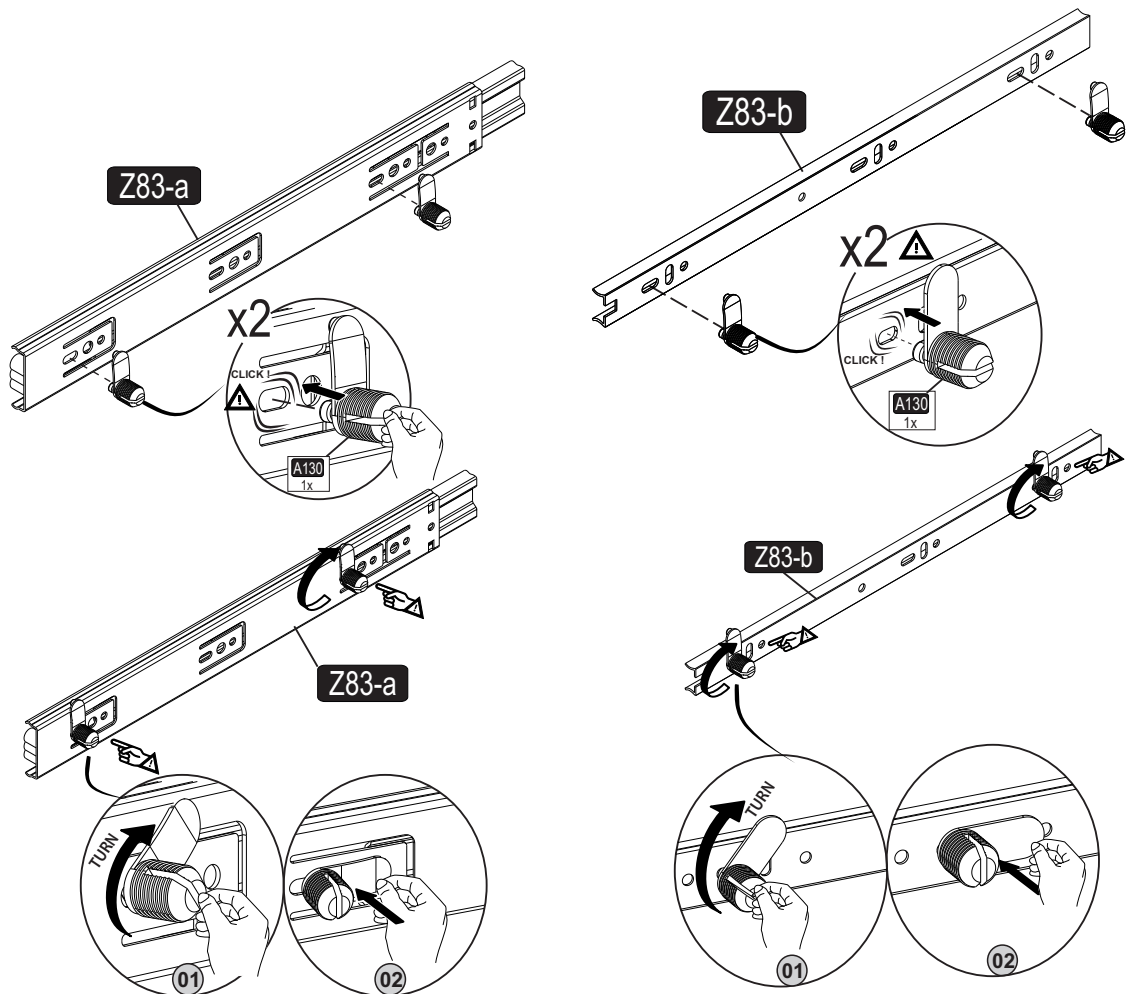
6



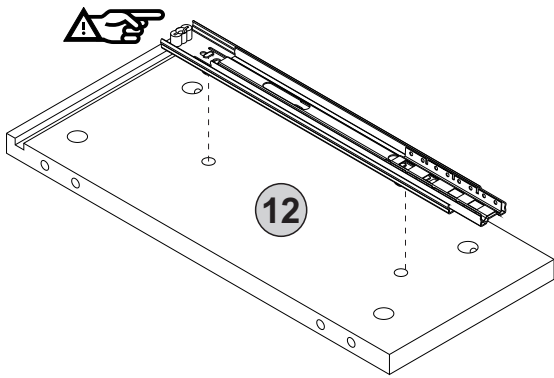
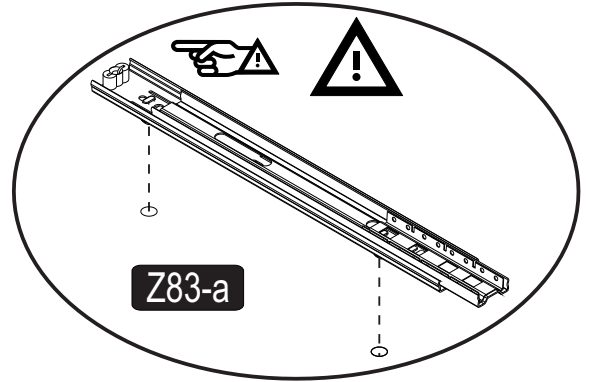
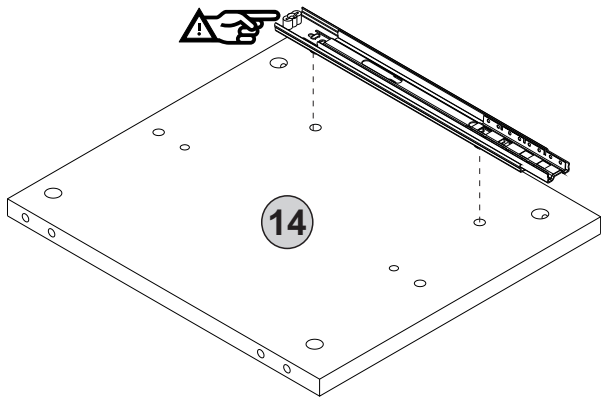
# 7 x2



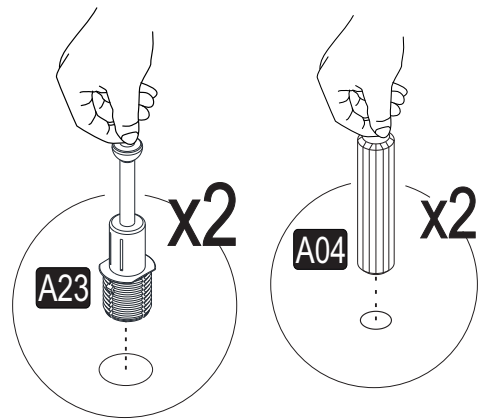
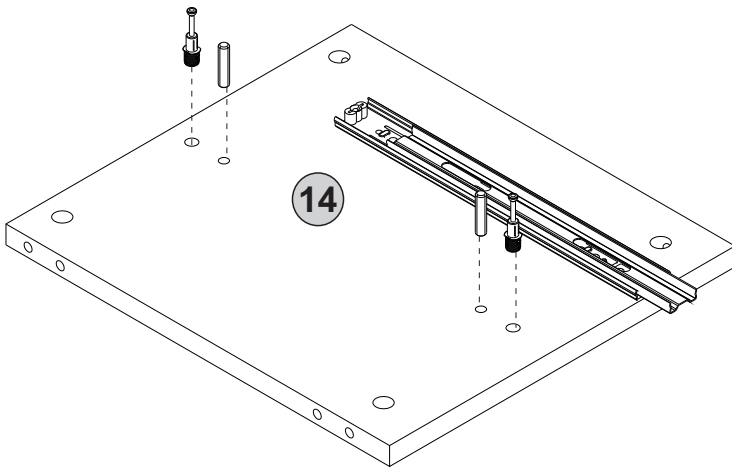
# 8 x2



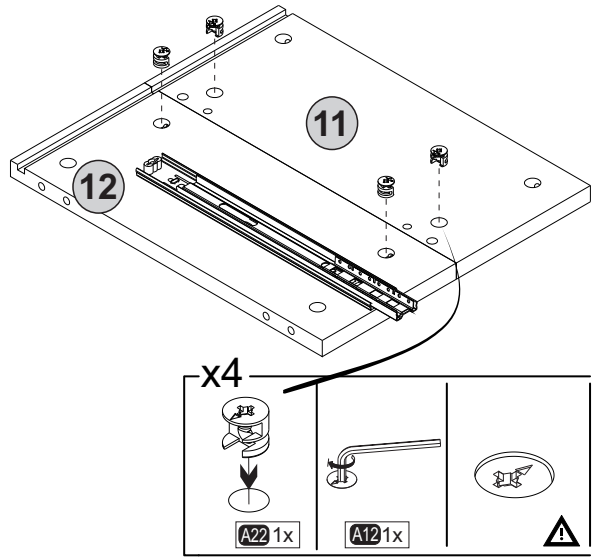
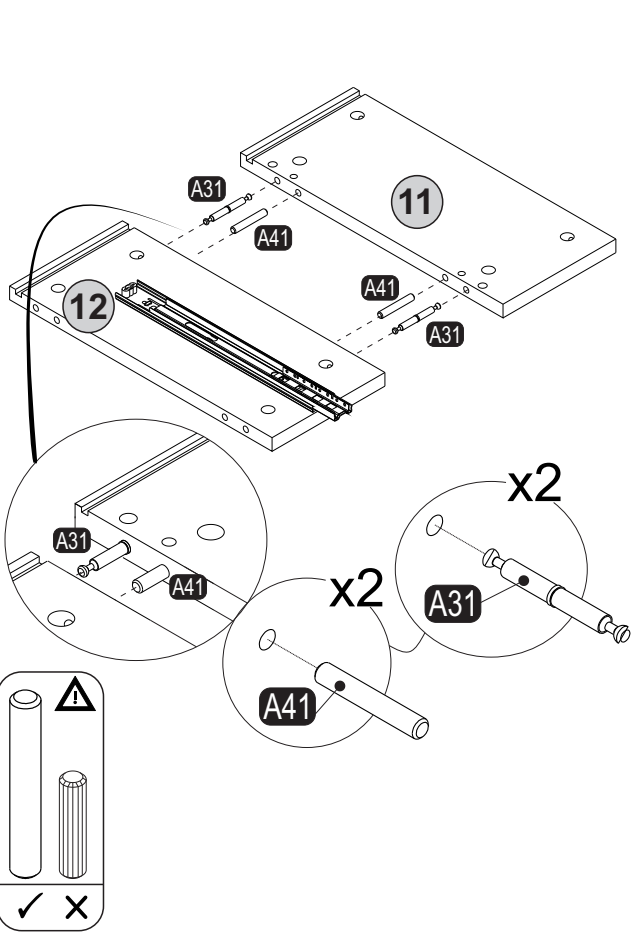
9



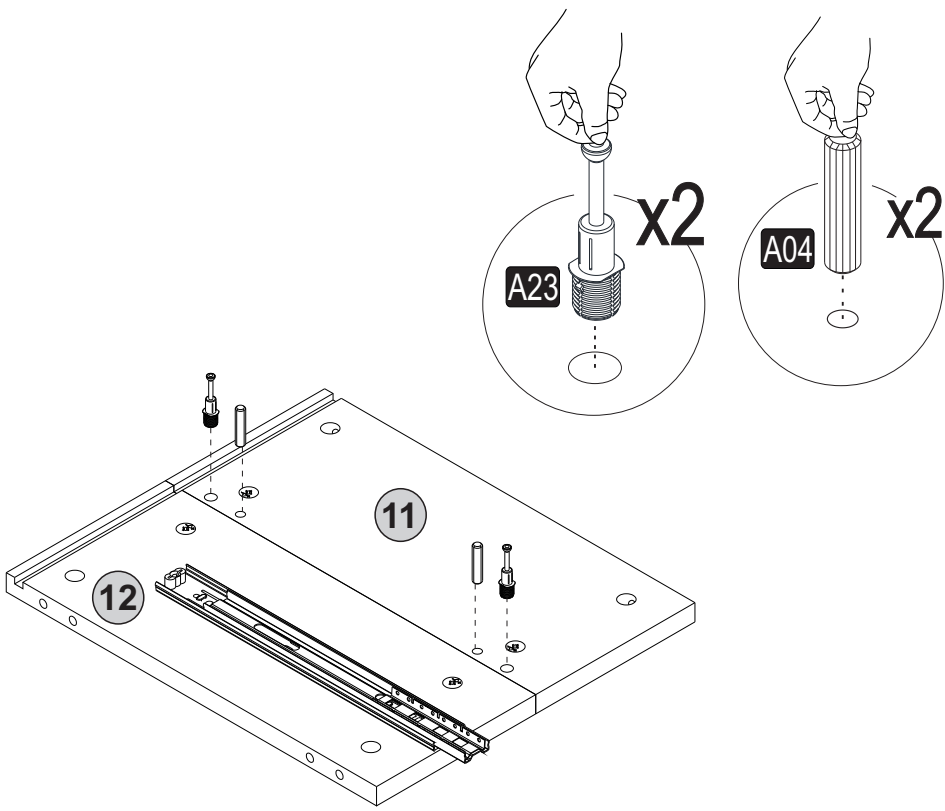
10



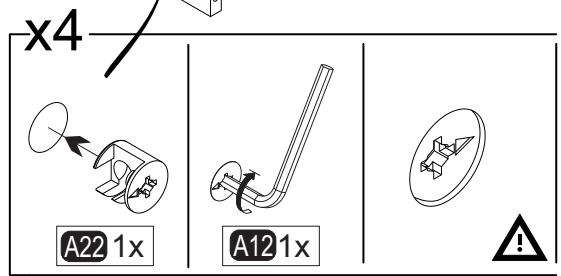
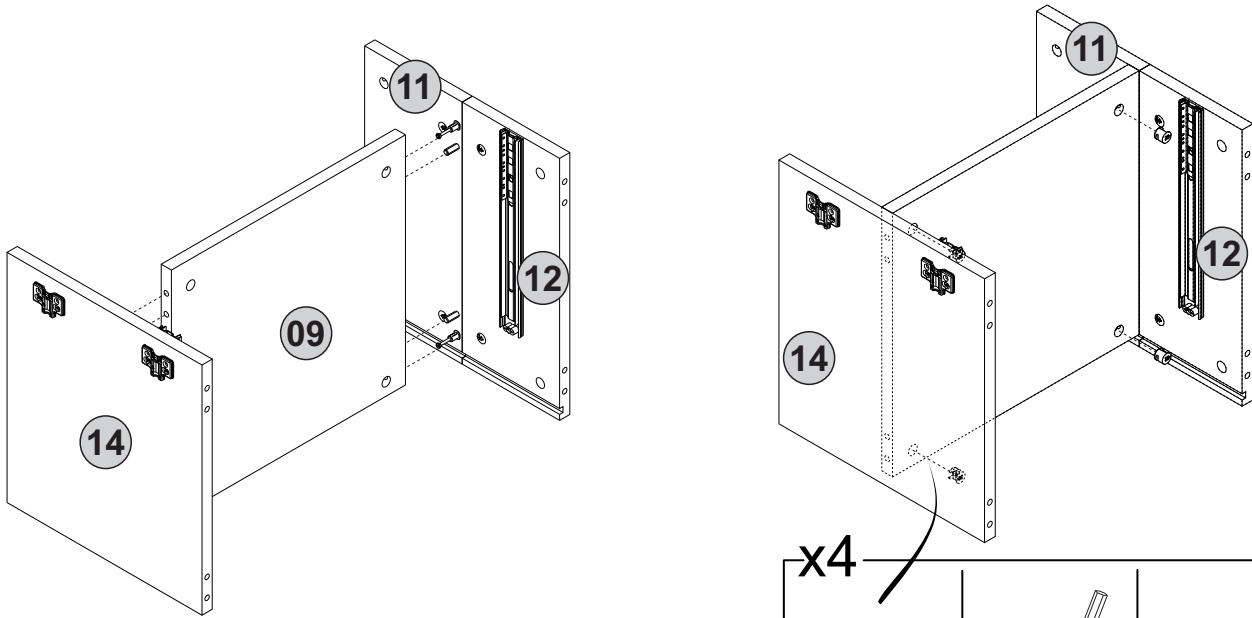
11



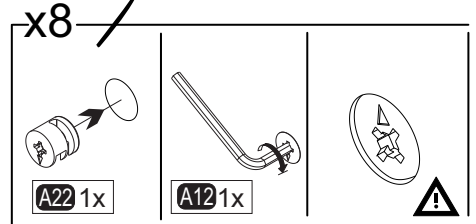
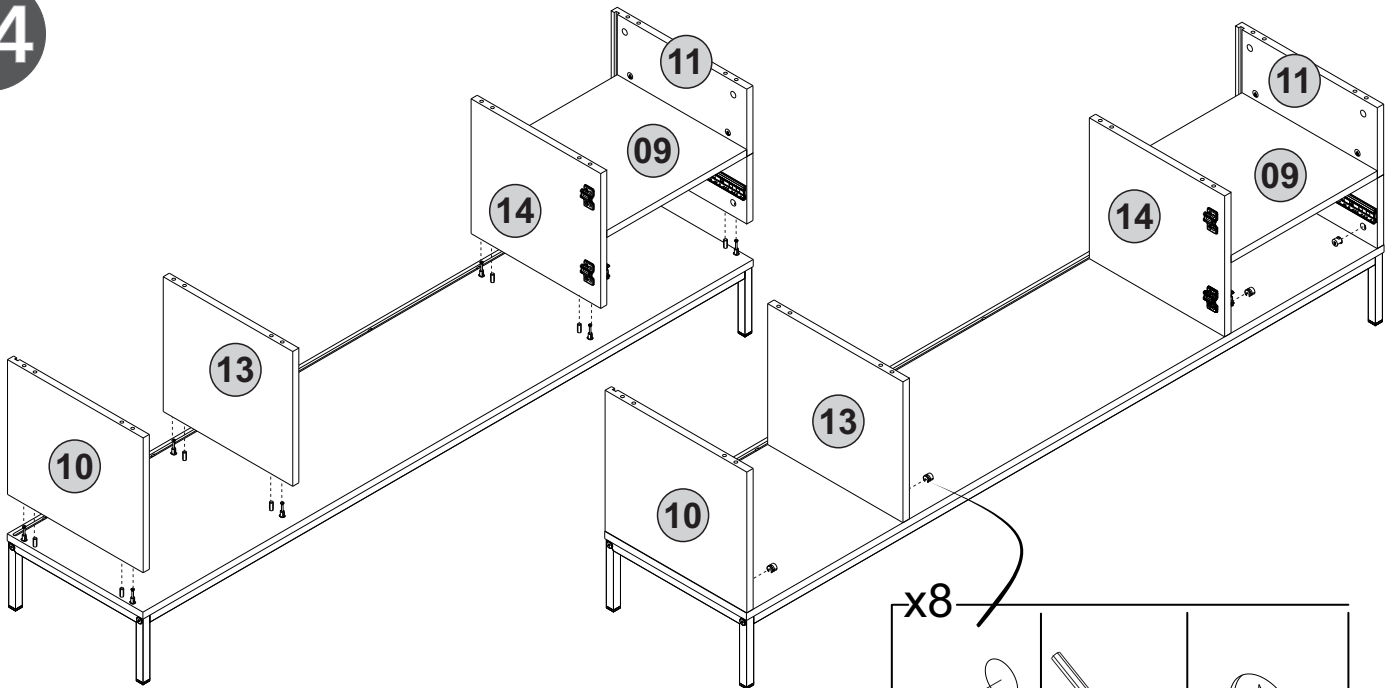
12



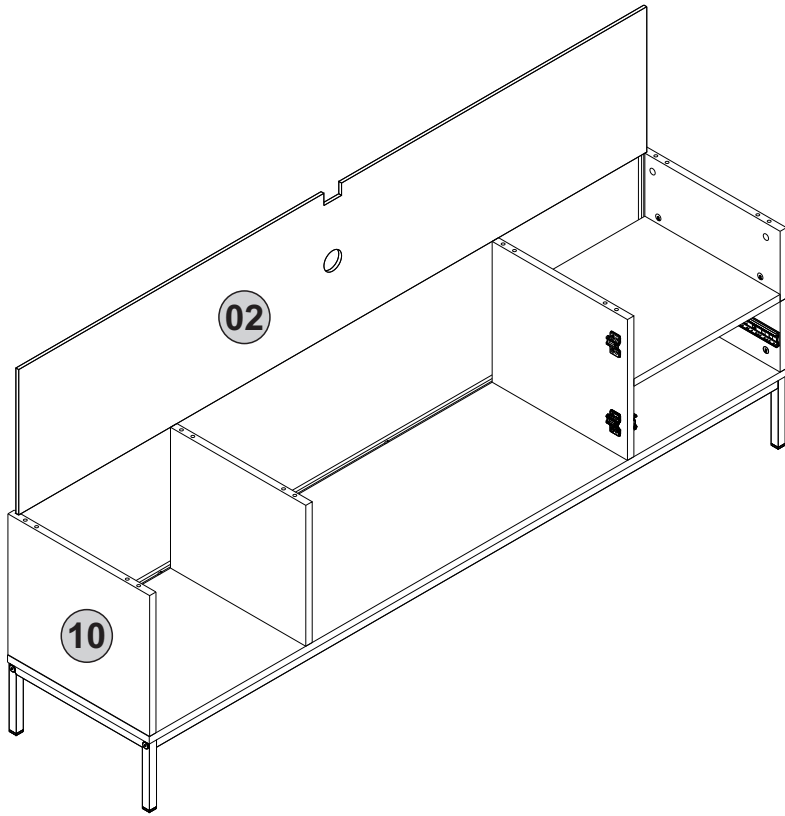
13



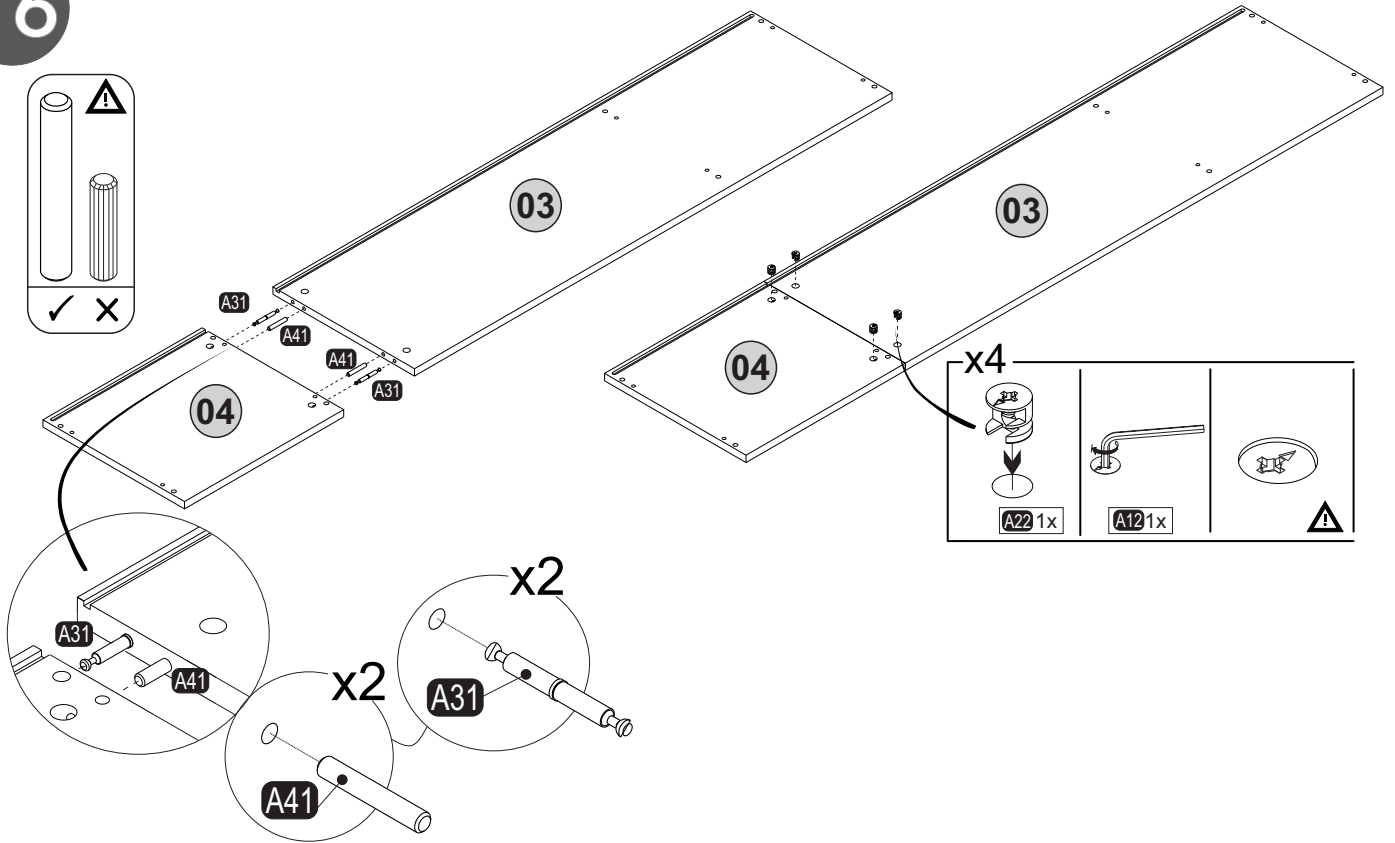
14



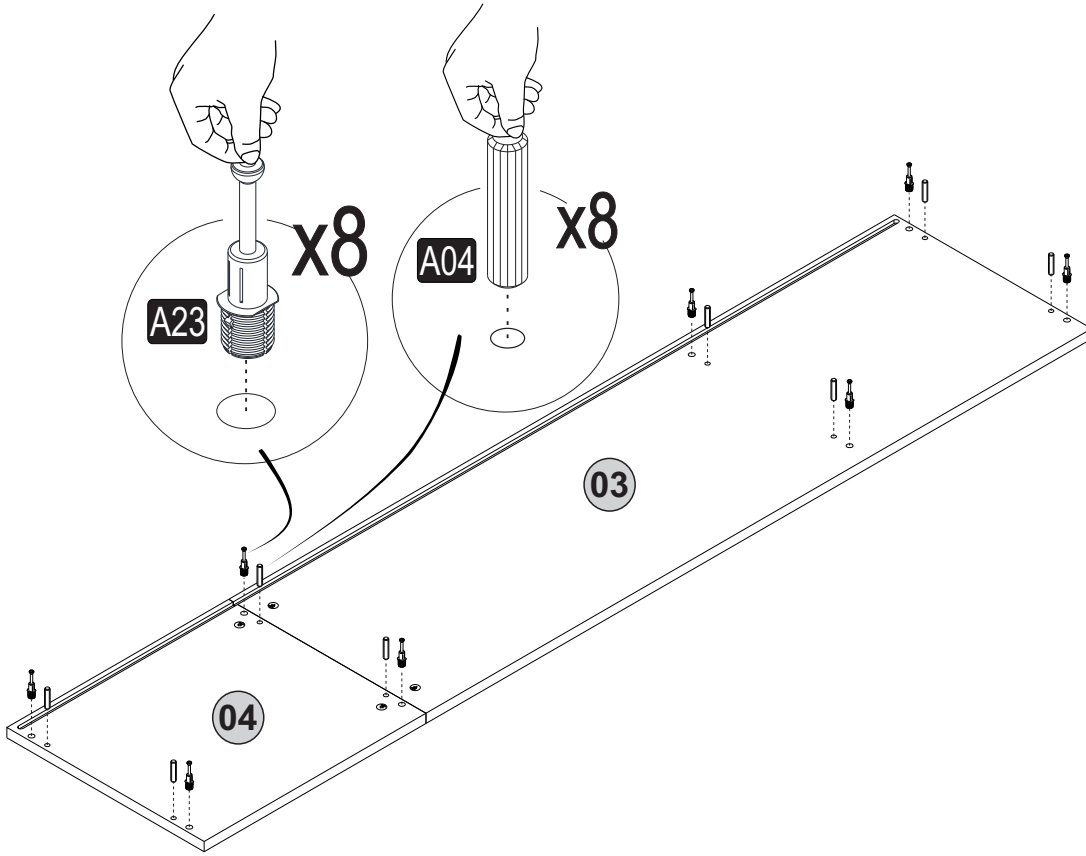
15



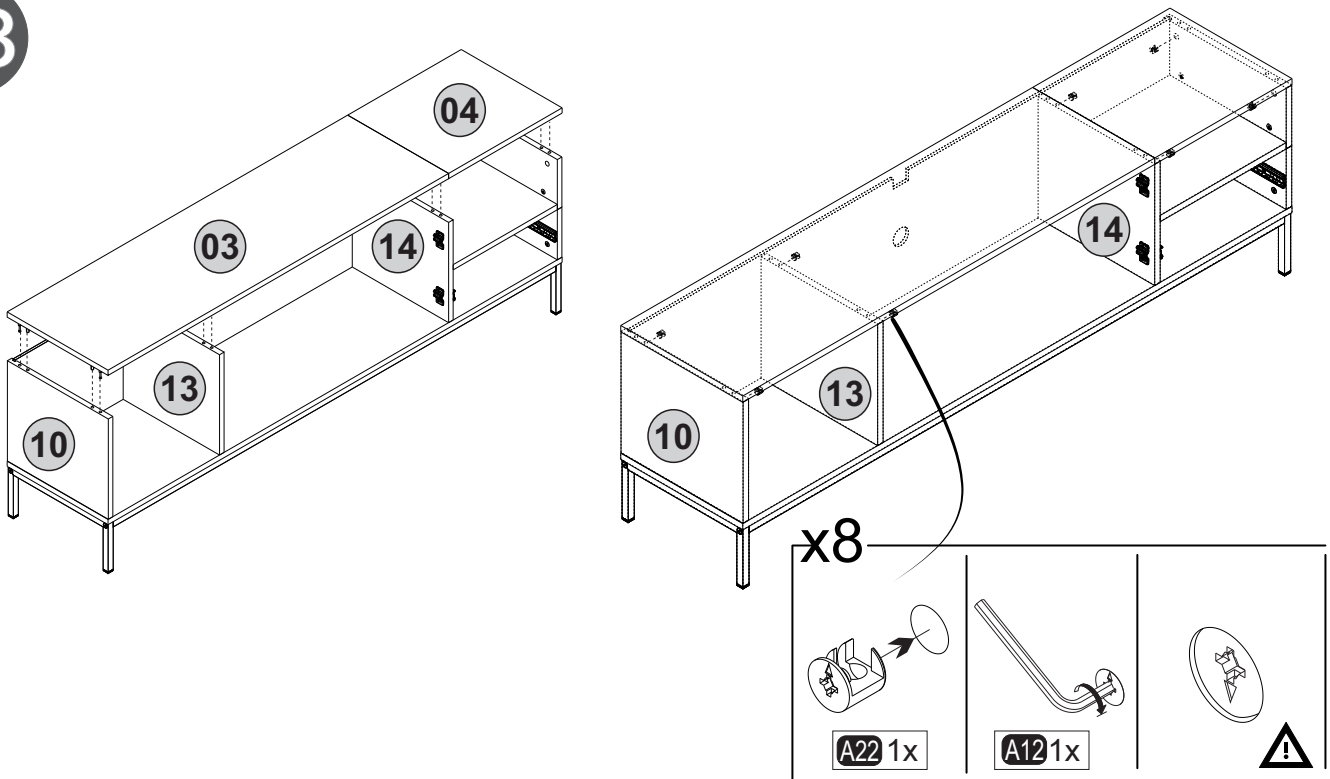
16



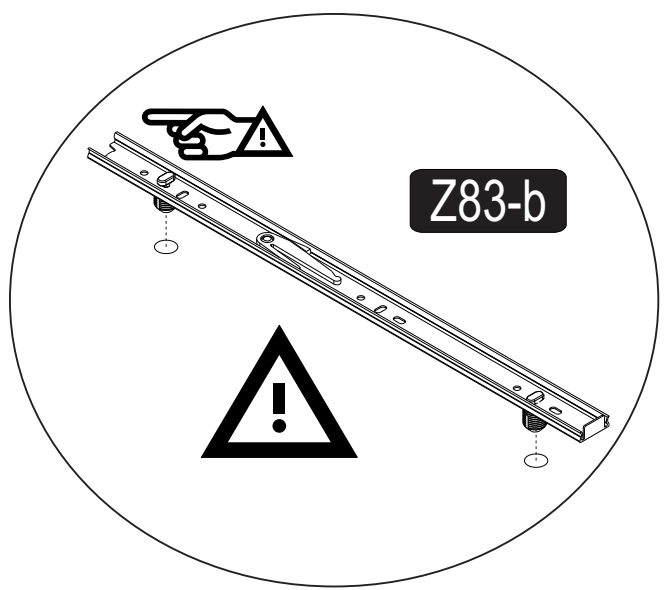
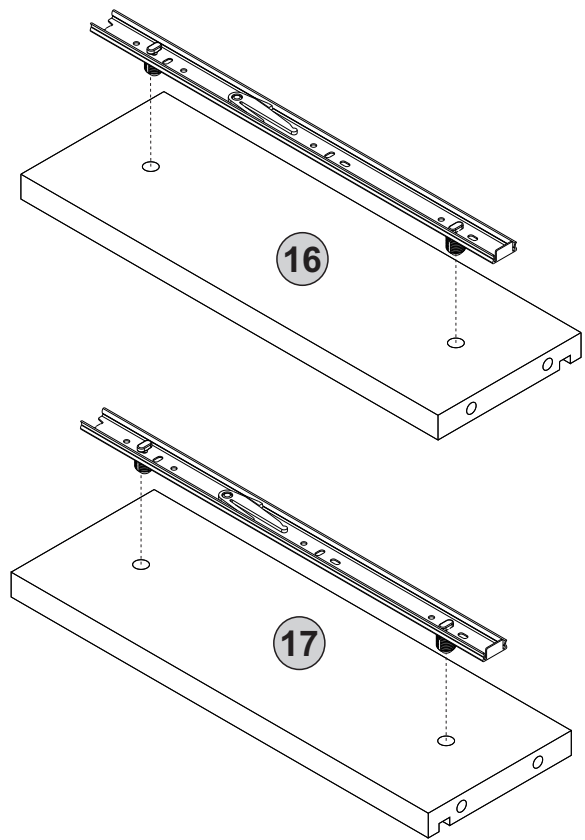
17



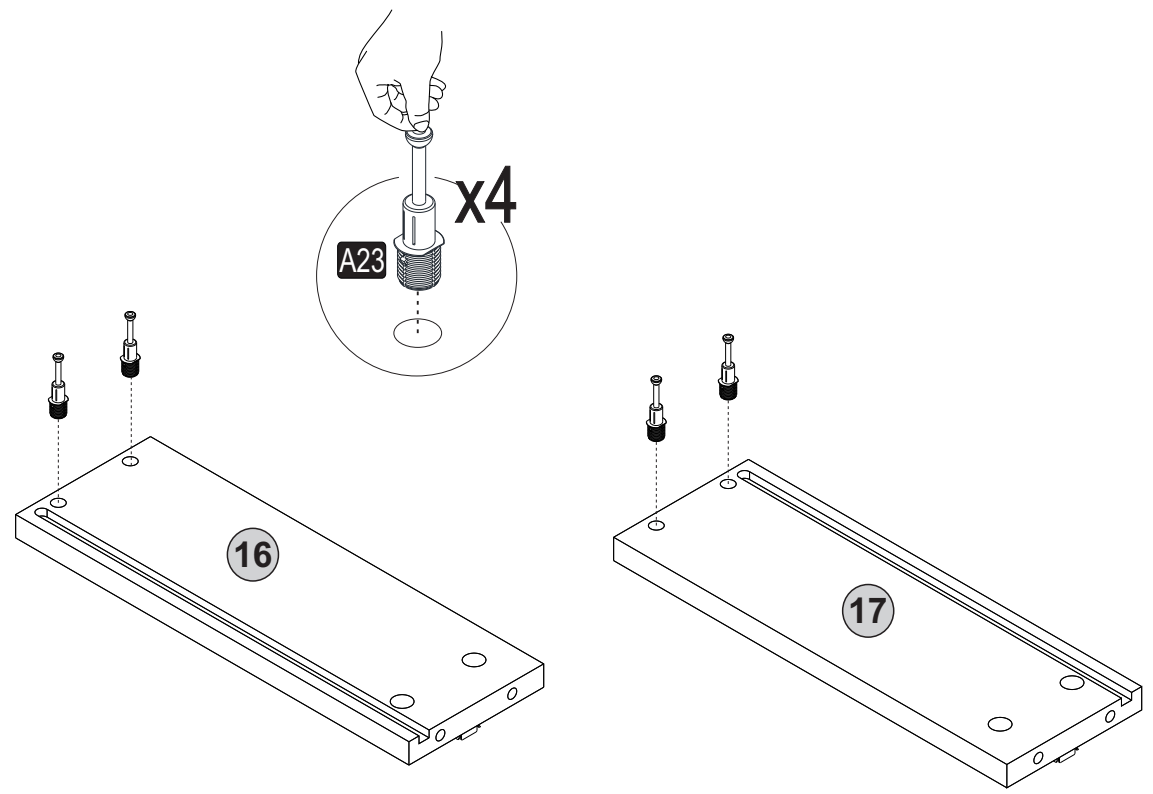
18



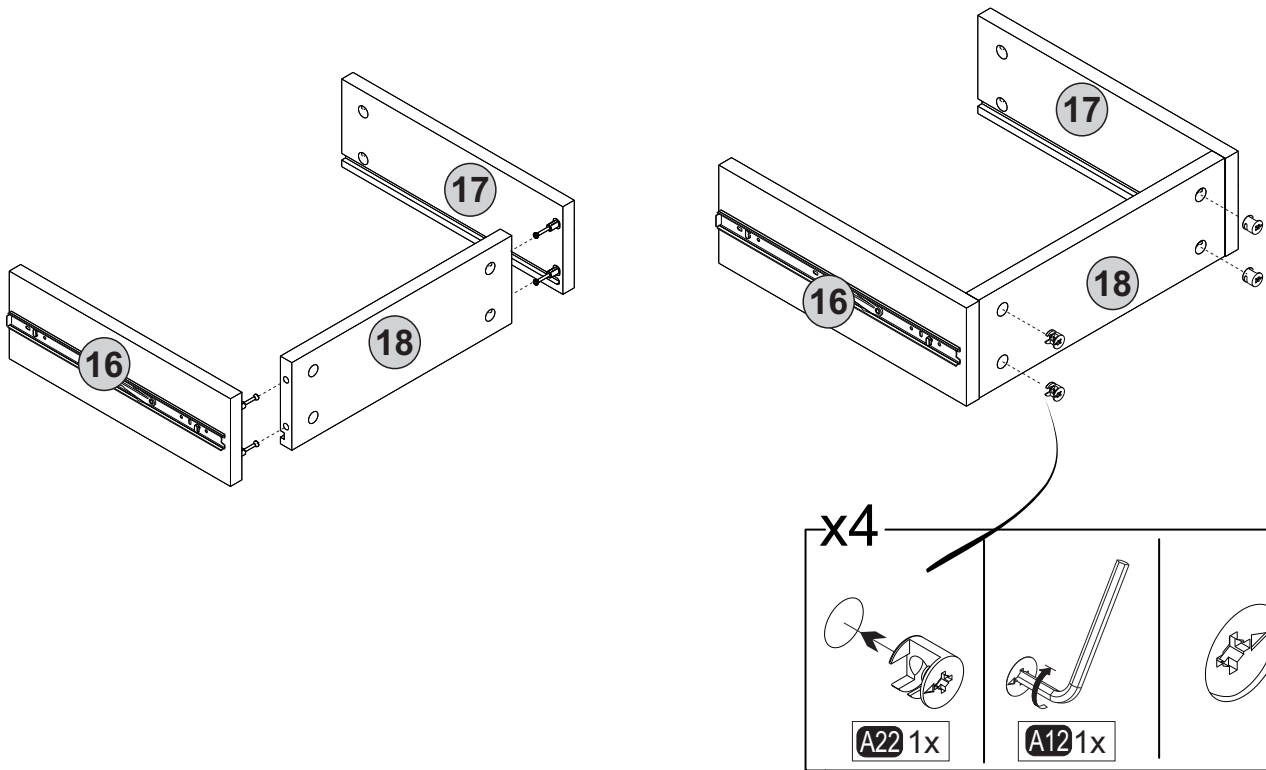
19



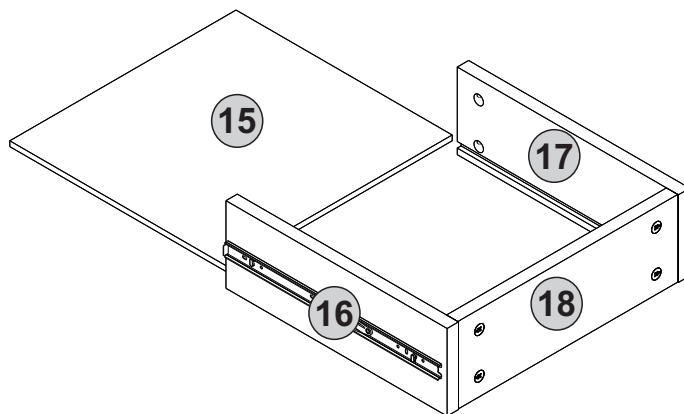
20



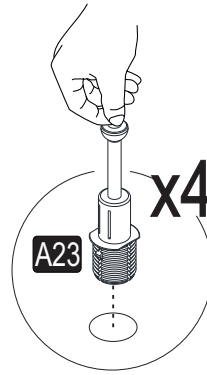
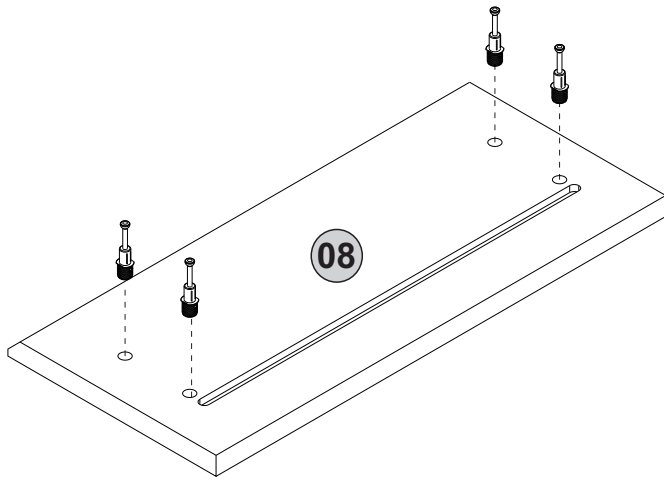
21



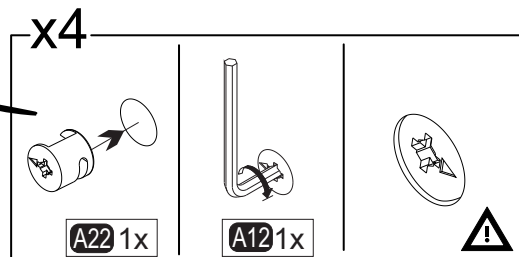
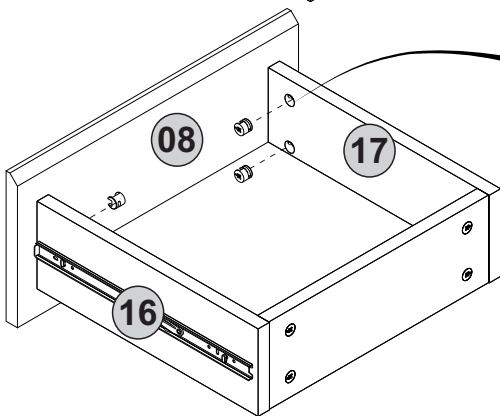
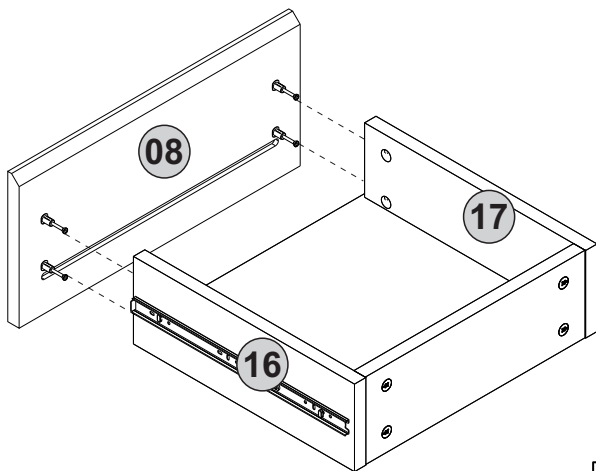
22



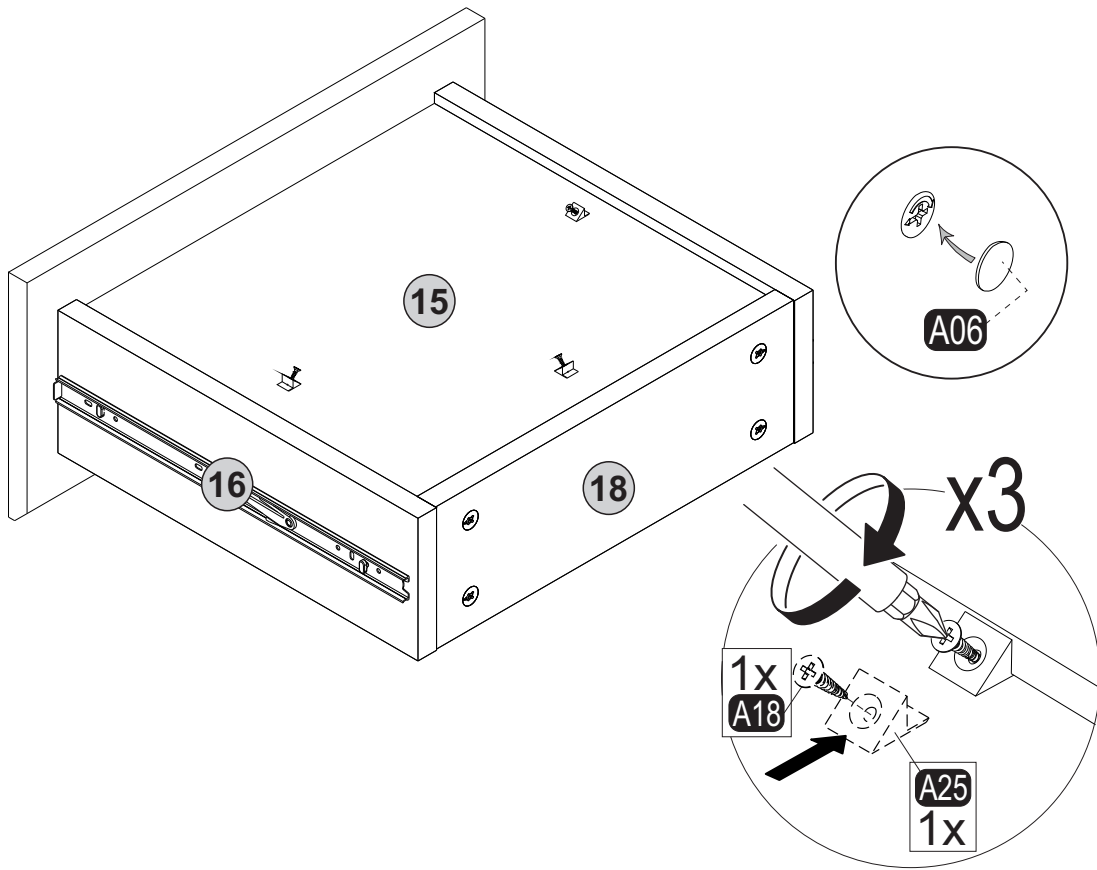
23



24



25



26

