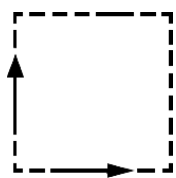




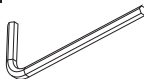


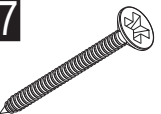

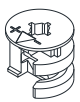
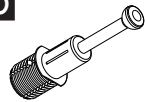
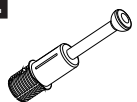
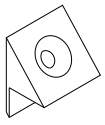
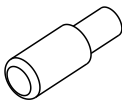

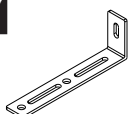

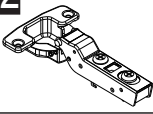
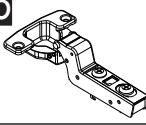
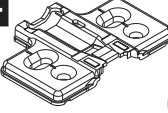

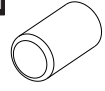

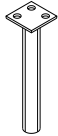


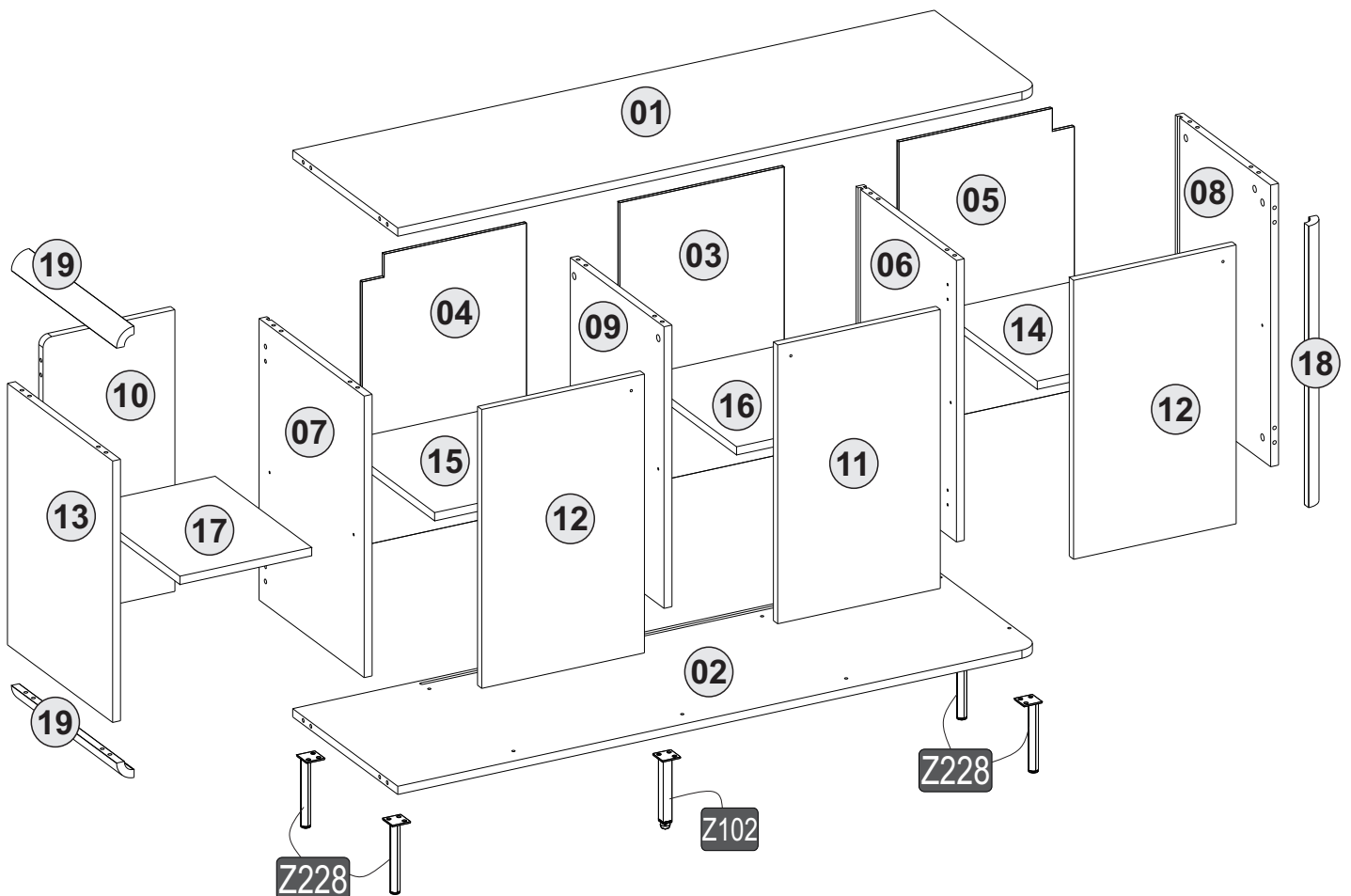
GP037-0334,1



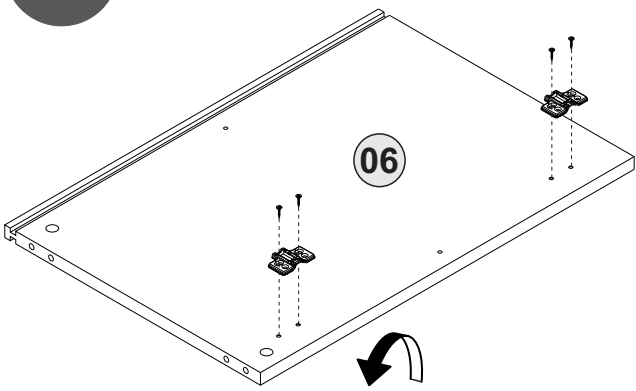
150 x 44 x 80cm

HARDWARE LIST

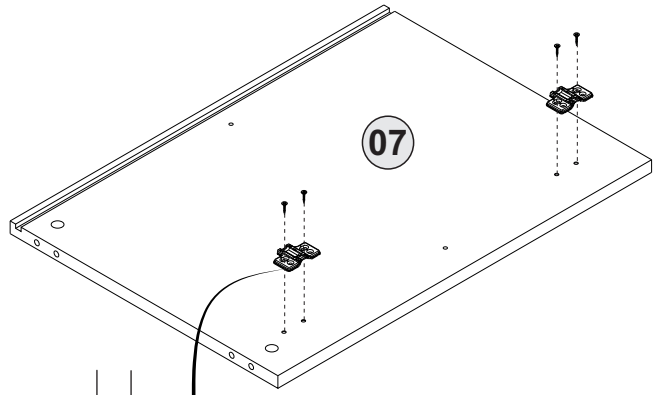
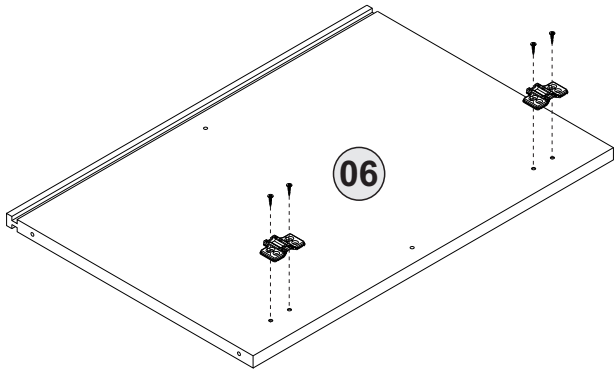
A04  Ø8x30 22x	A06  18mm C1-30x	A12  Allen 1x	A13  50mm 8x	A16  DbØ8 2x
A17  4X50 2x	A18  3,5x18 50x	A22  Minifix k18 22x	A23  Minifix M10 12x	A62  Minifix M8 10x
A25  ARK.PL 10x	A48  Raf Pimi 16x	A69  P.D. 15x	A87  15x90x30 2x	B06  15 mm 15x
C32  YM 4x	C33  TM 2x	C34  MA 6x	Z07  4x22kv 3x	Z121  MDK 3x
Z102  A.M.A 160mm 1x	Z228  4x			



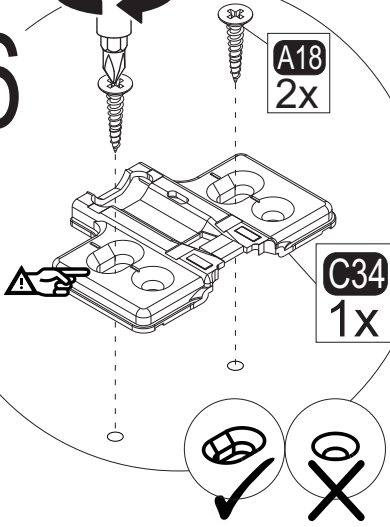
1



180°



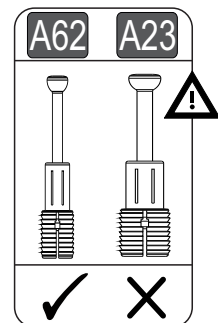
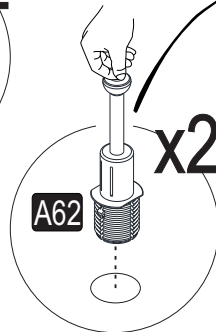
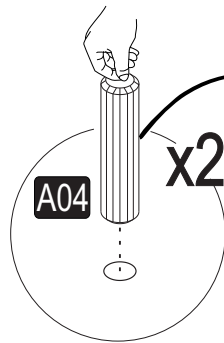
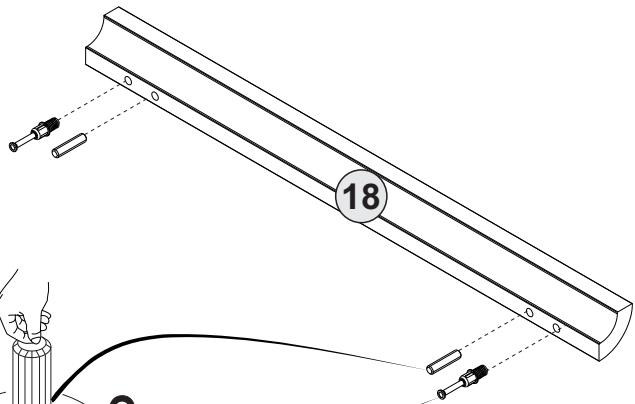
x6



A18
2x

C34
1x

2



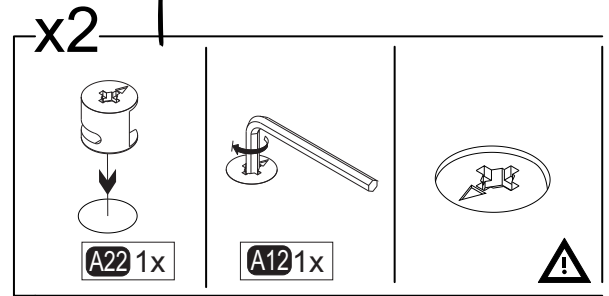
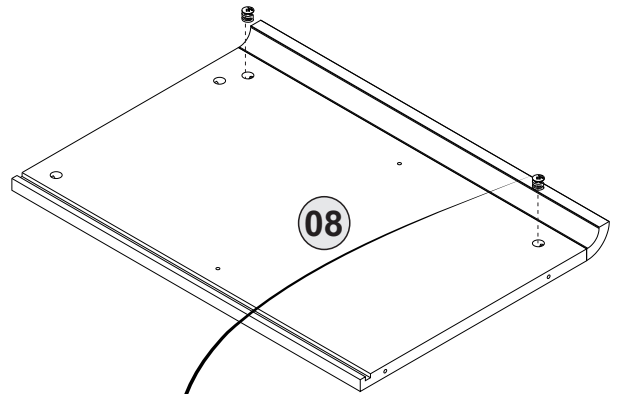
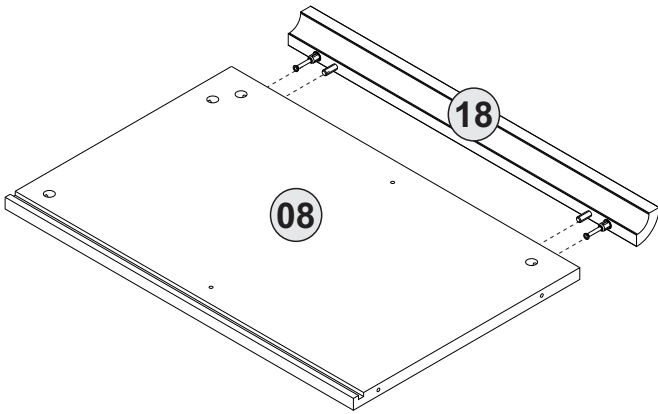
A62

A23

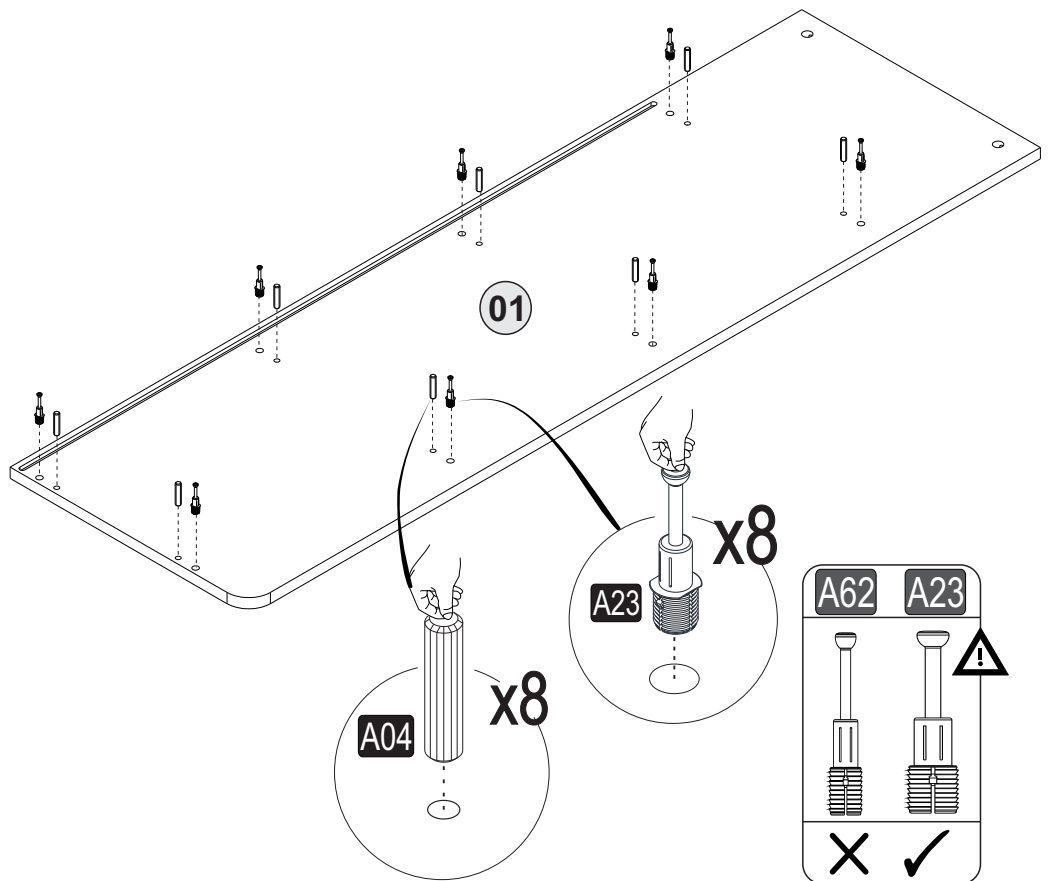
✓

✗

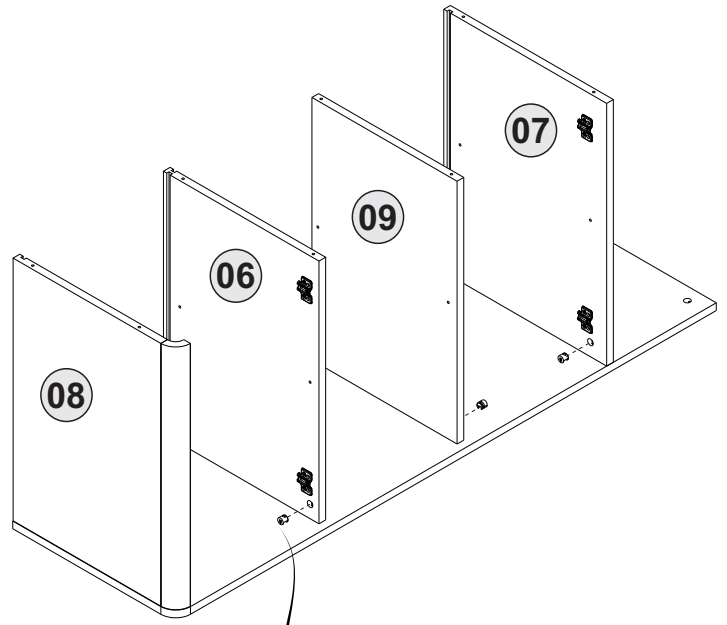
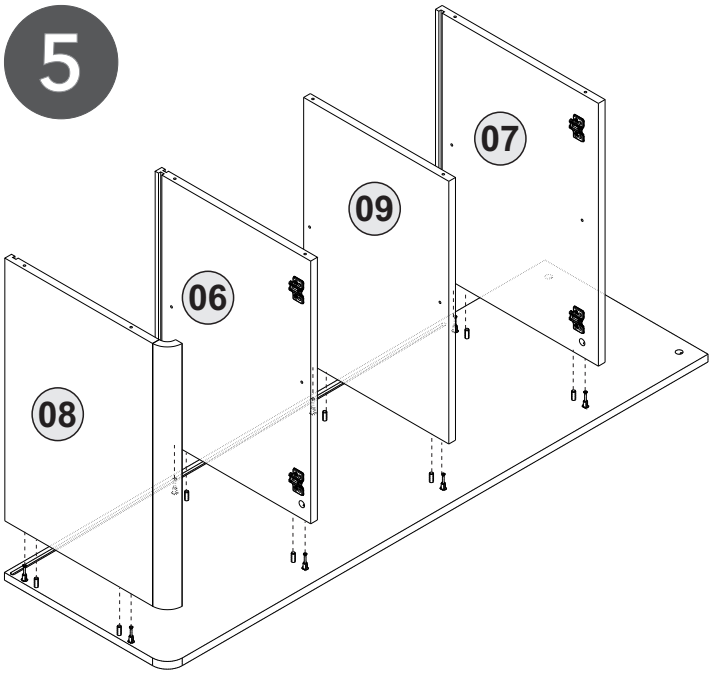
3



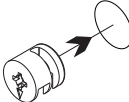


4



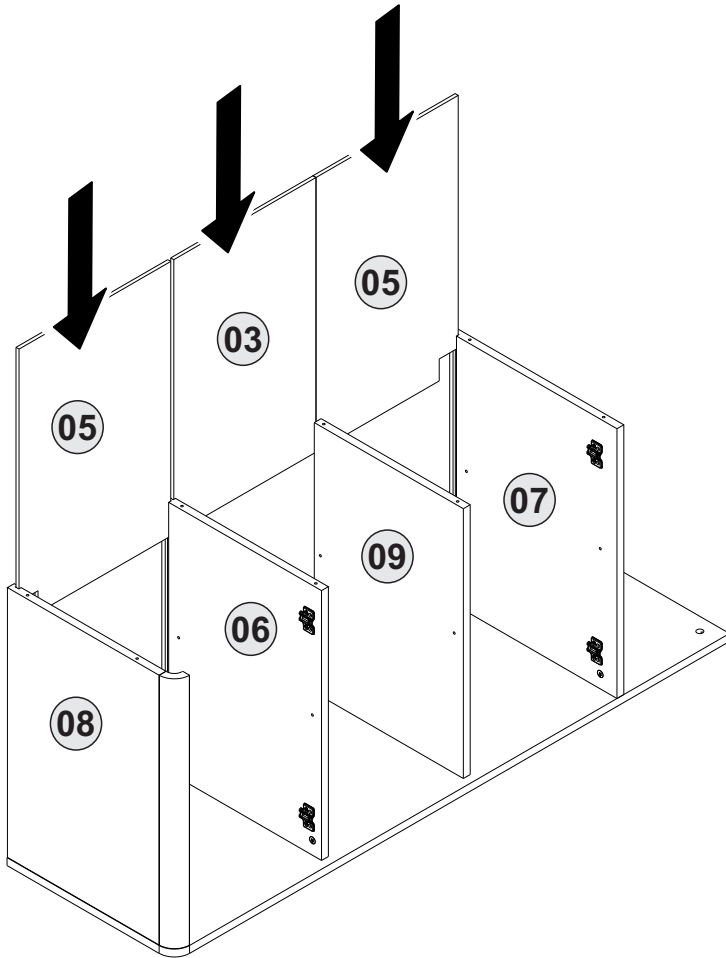
5



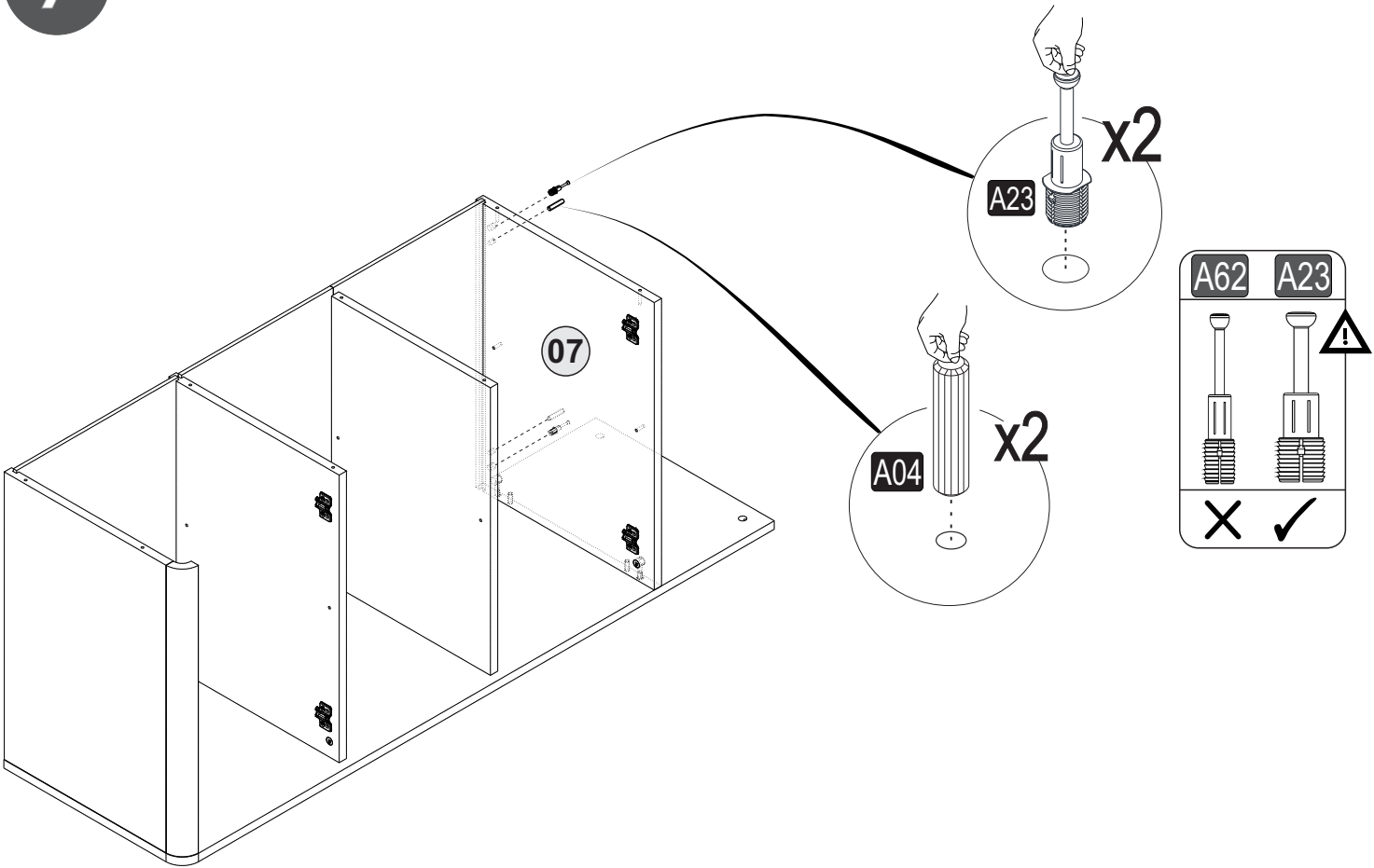
x8

 A22 1x	 A12 1x	 !
--	---	---

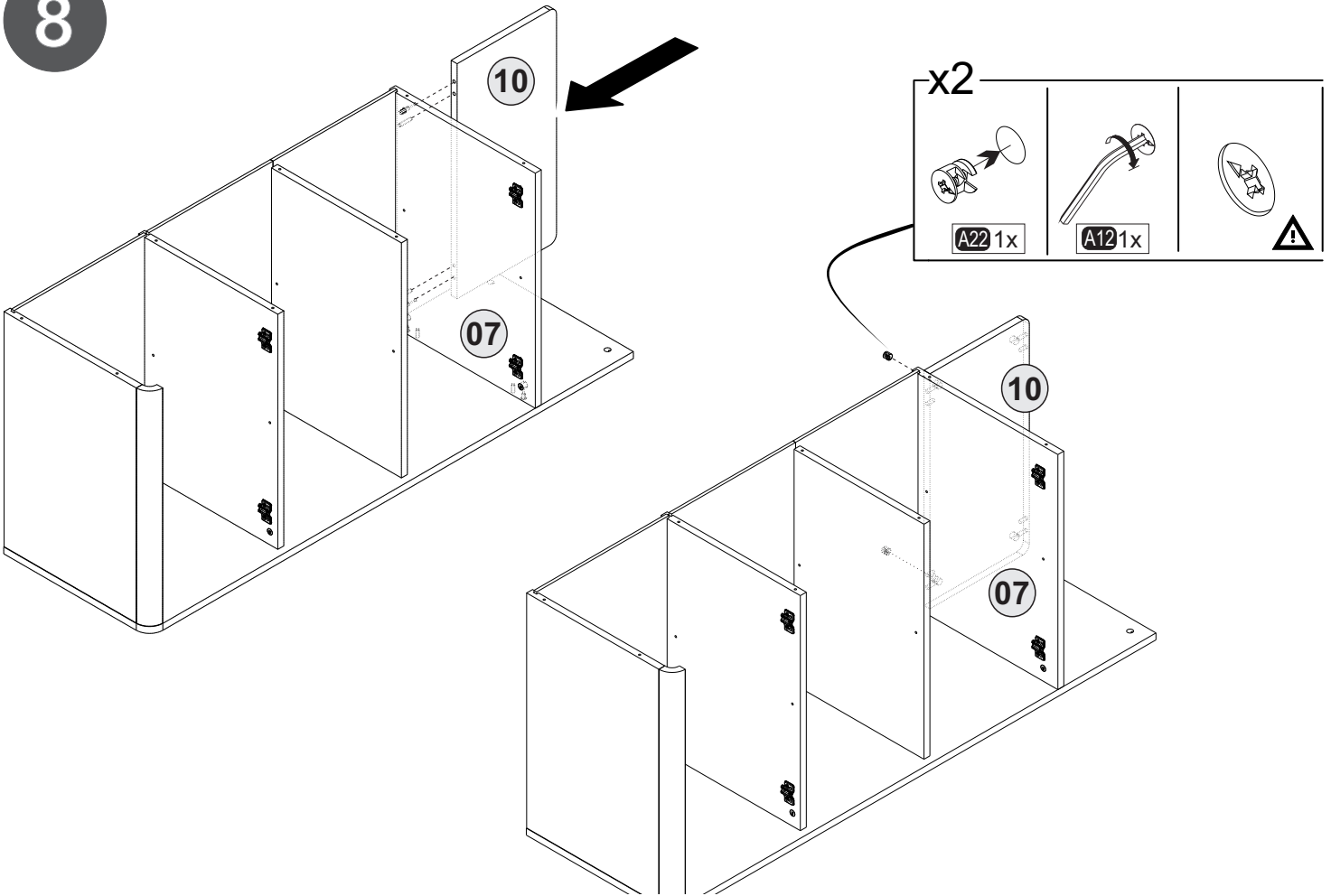
6



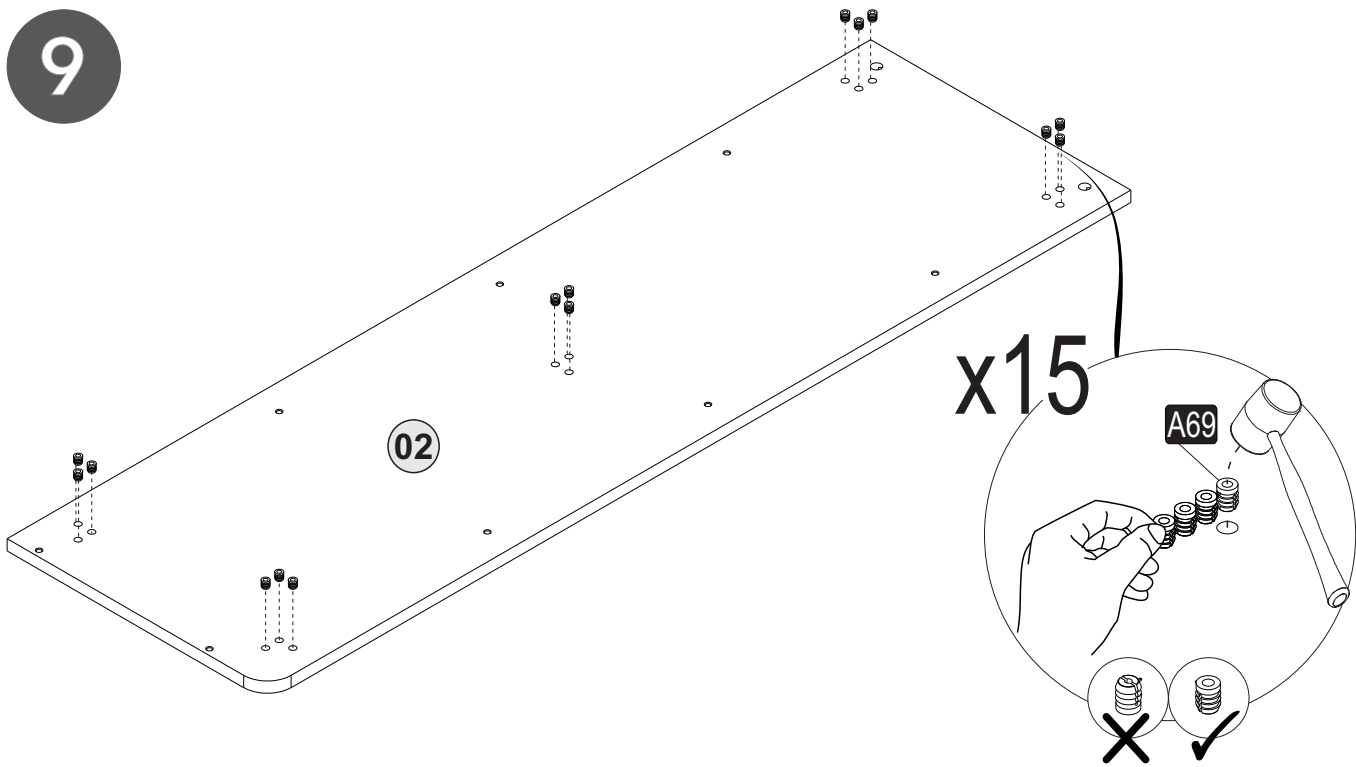
7



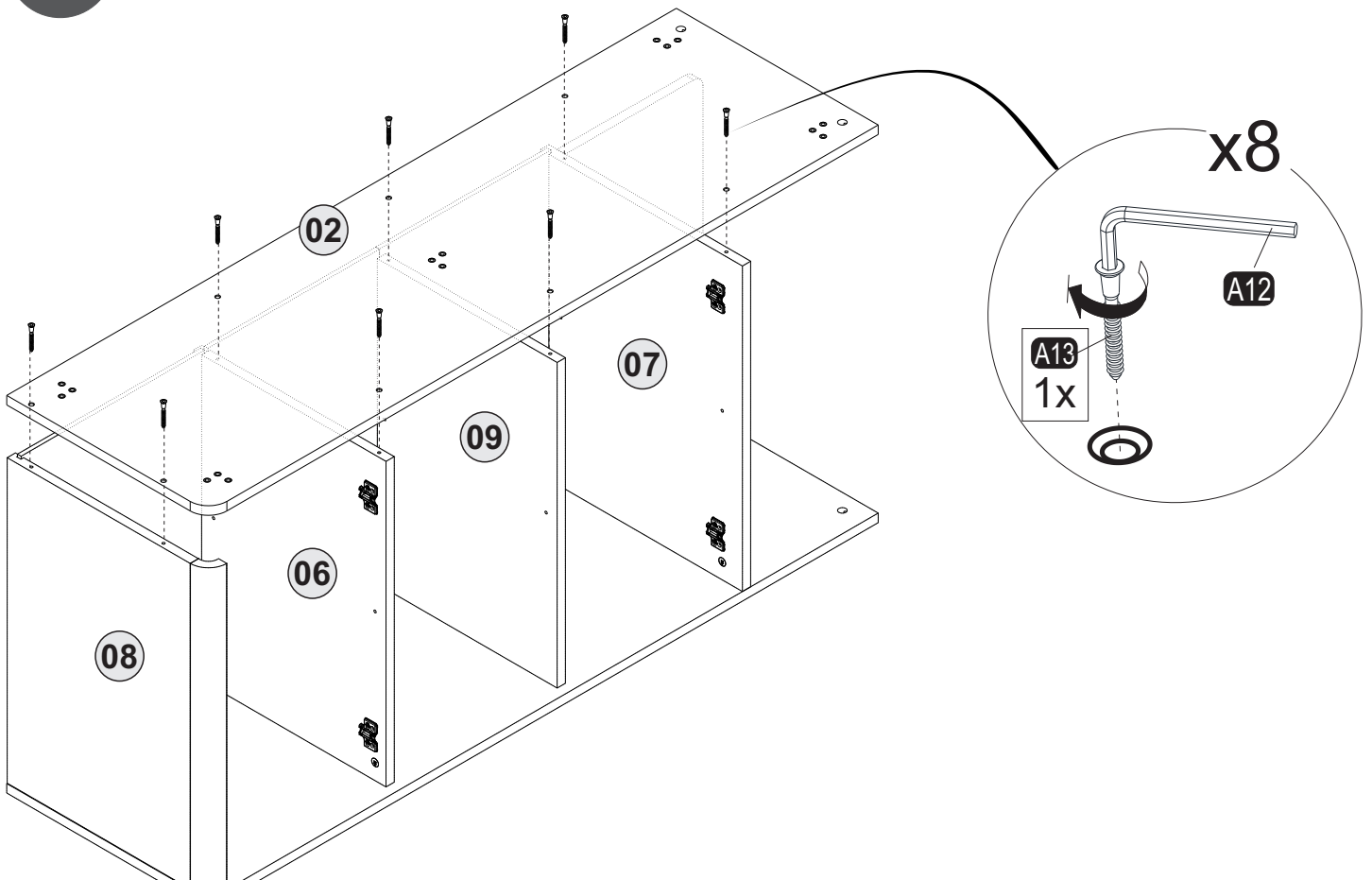
8



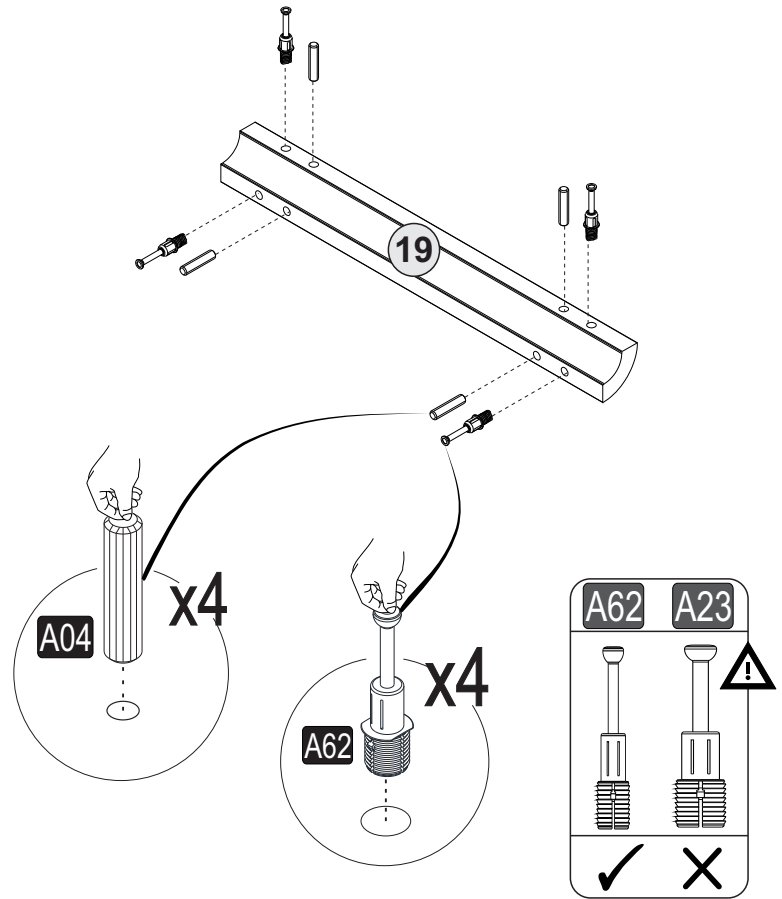
9



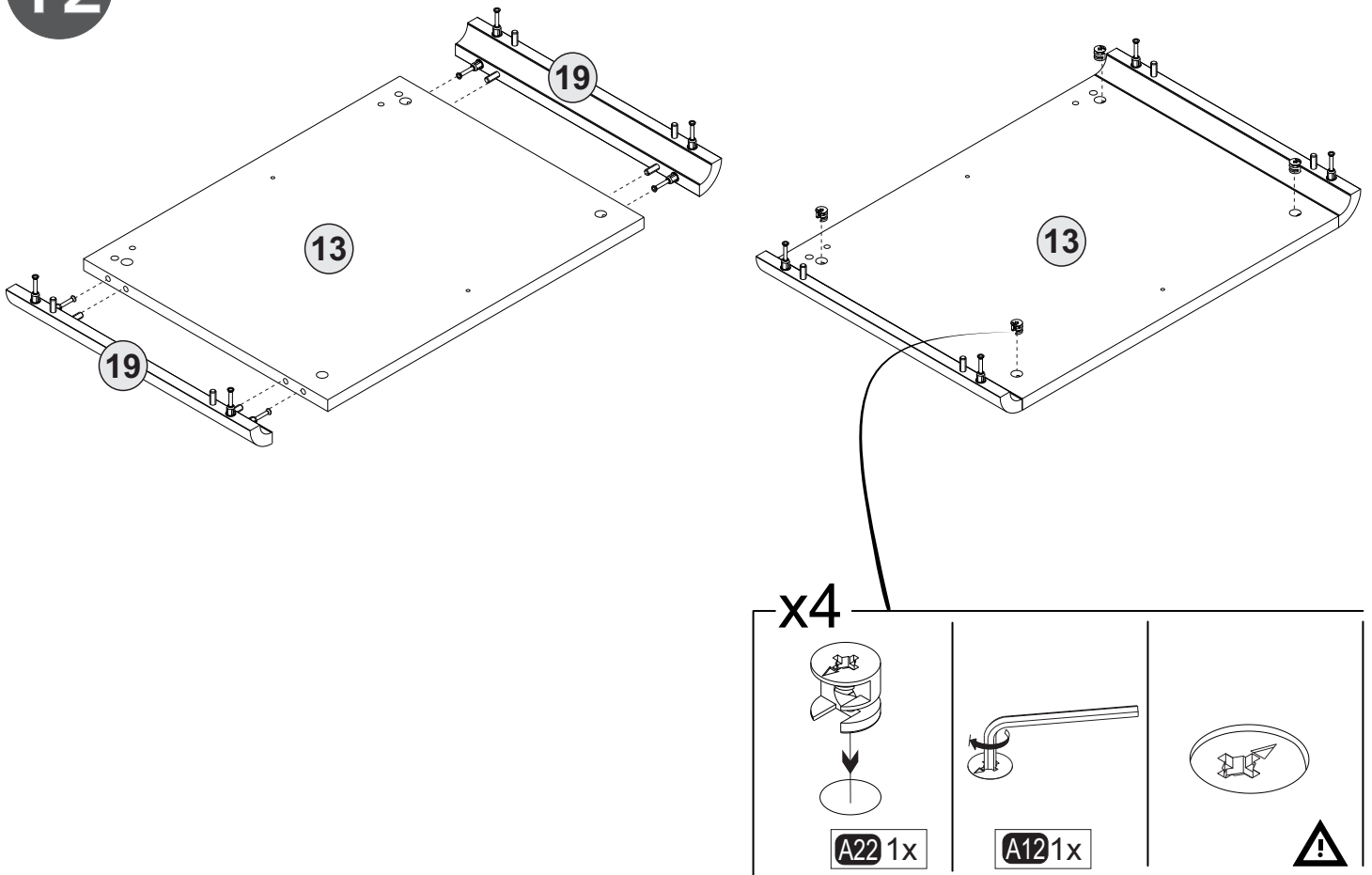
10



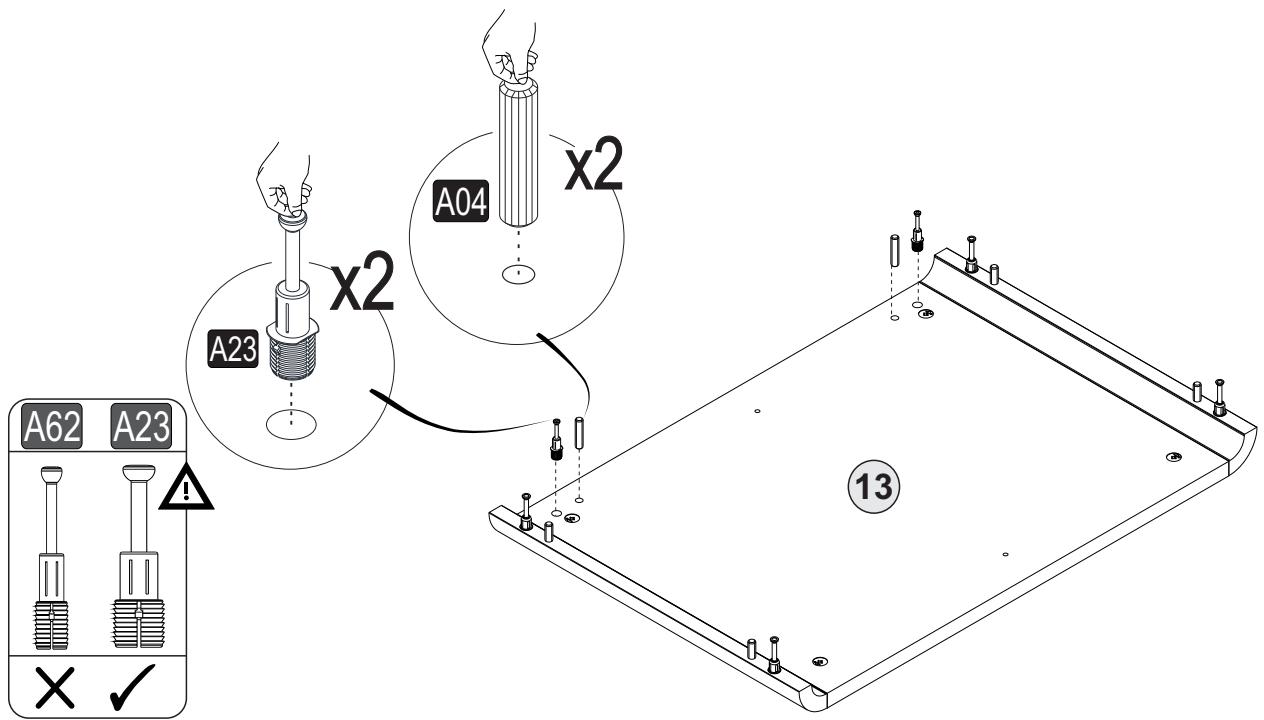
11 x2



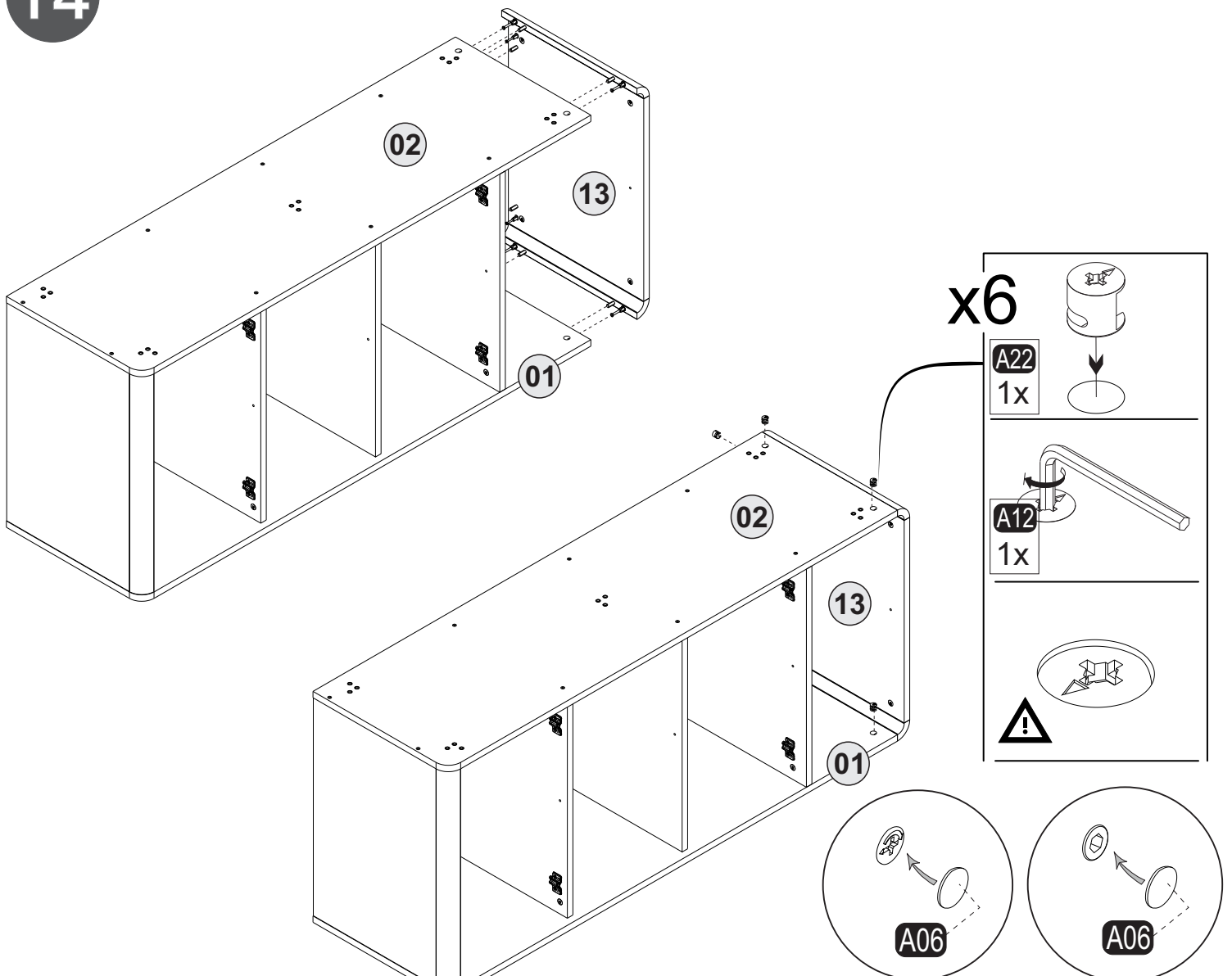
12



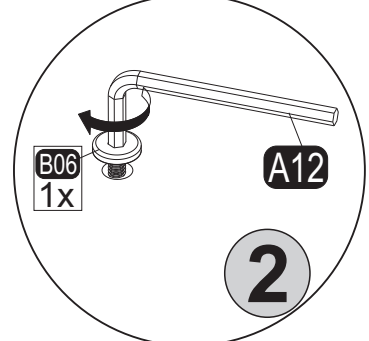
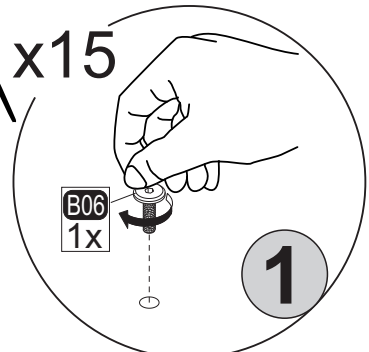
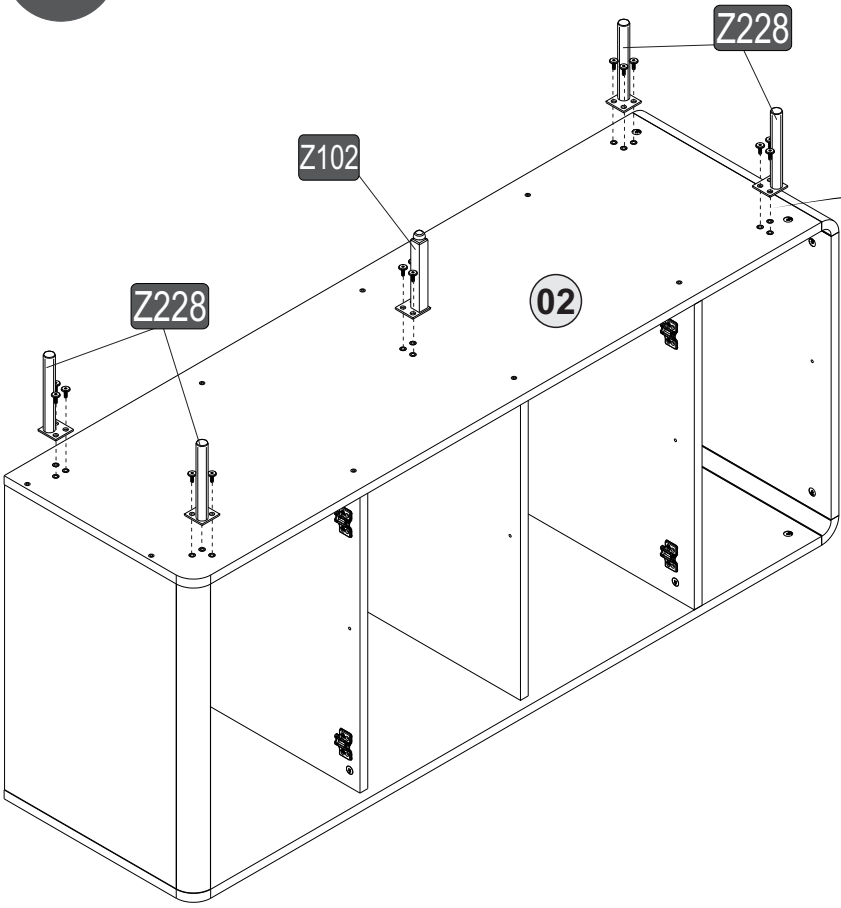
13



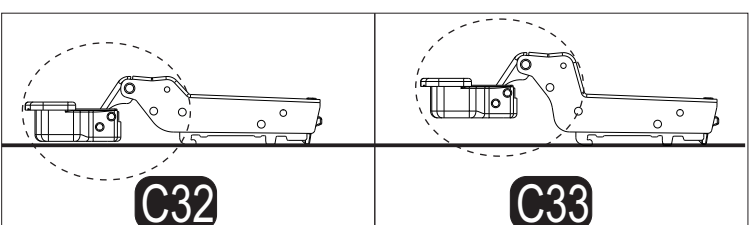
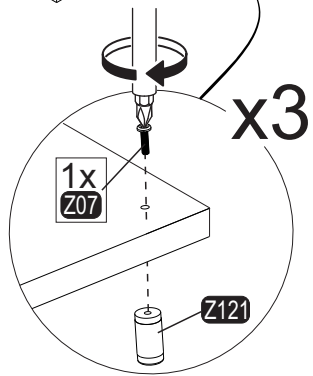
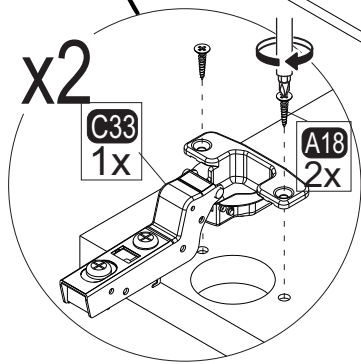
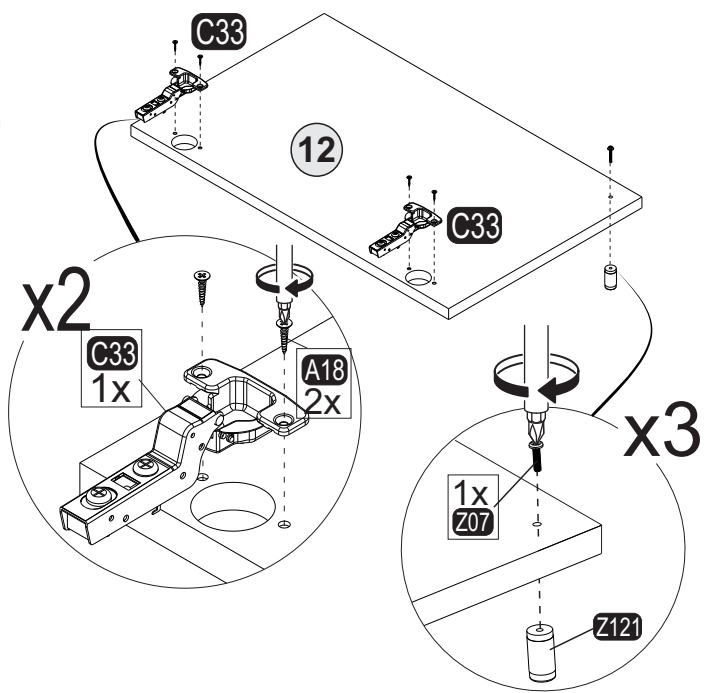
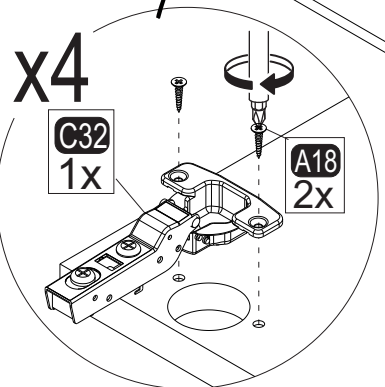
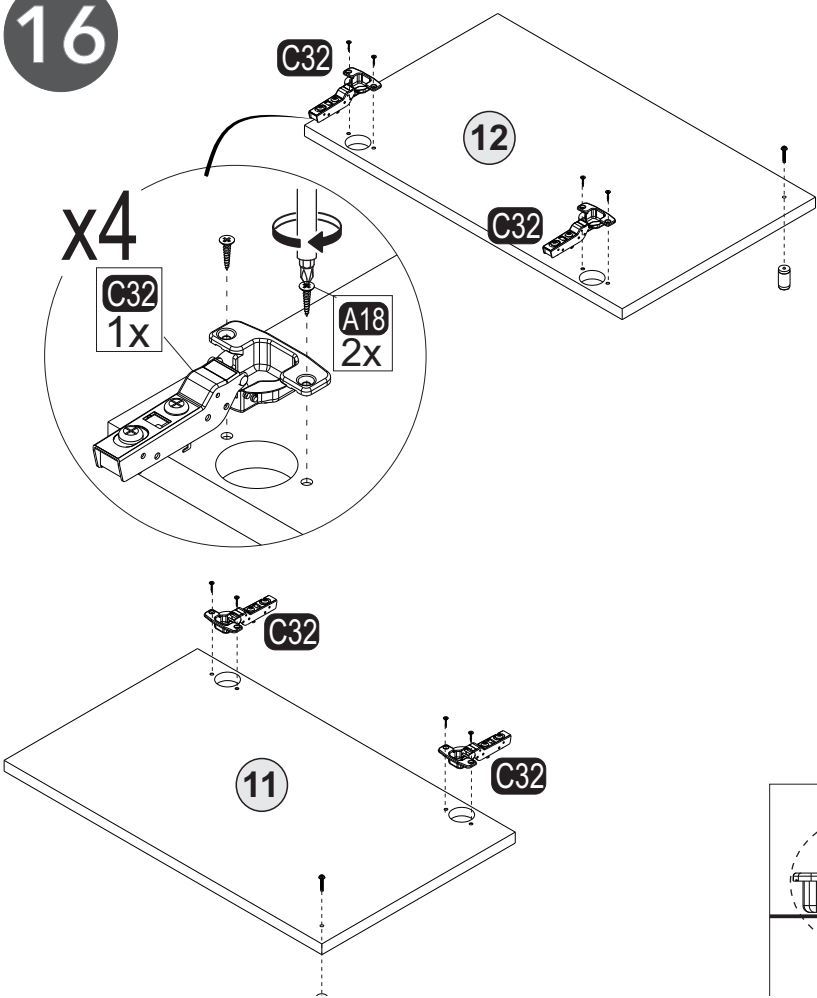
14

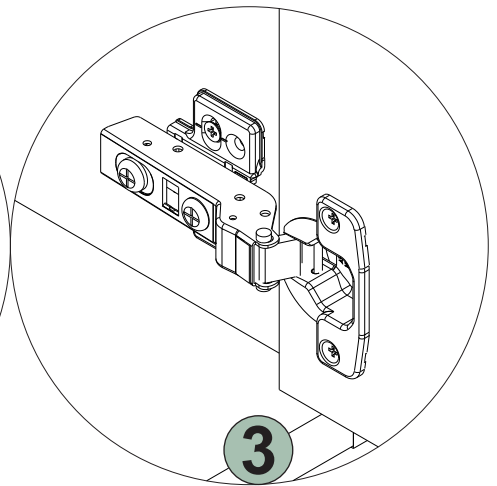
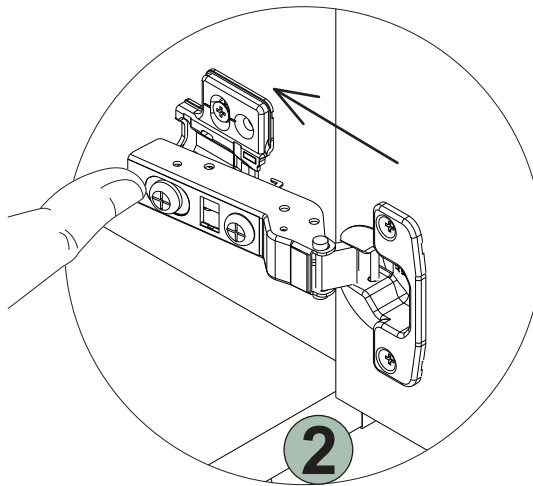
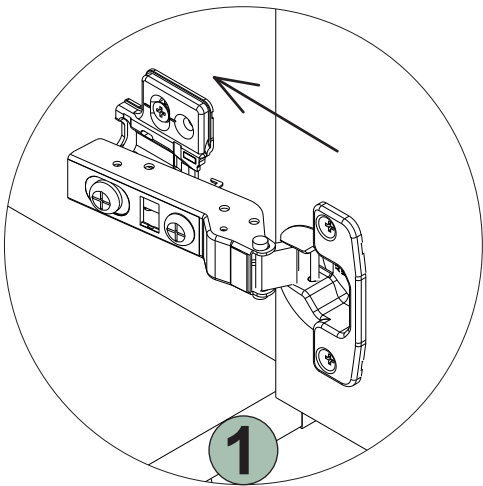
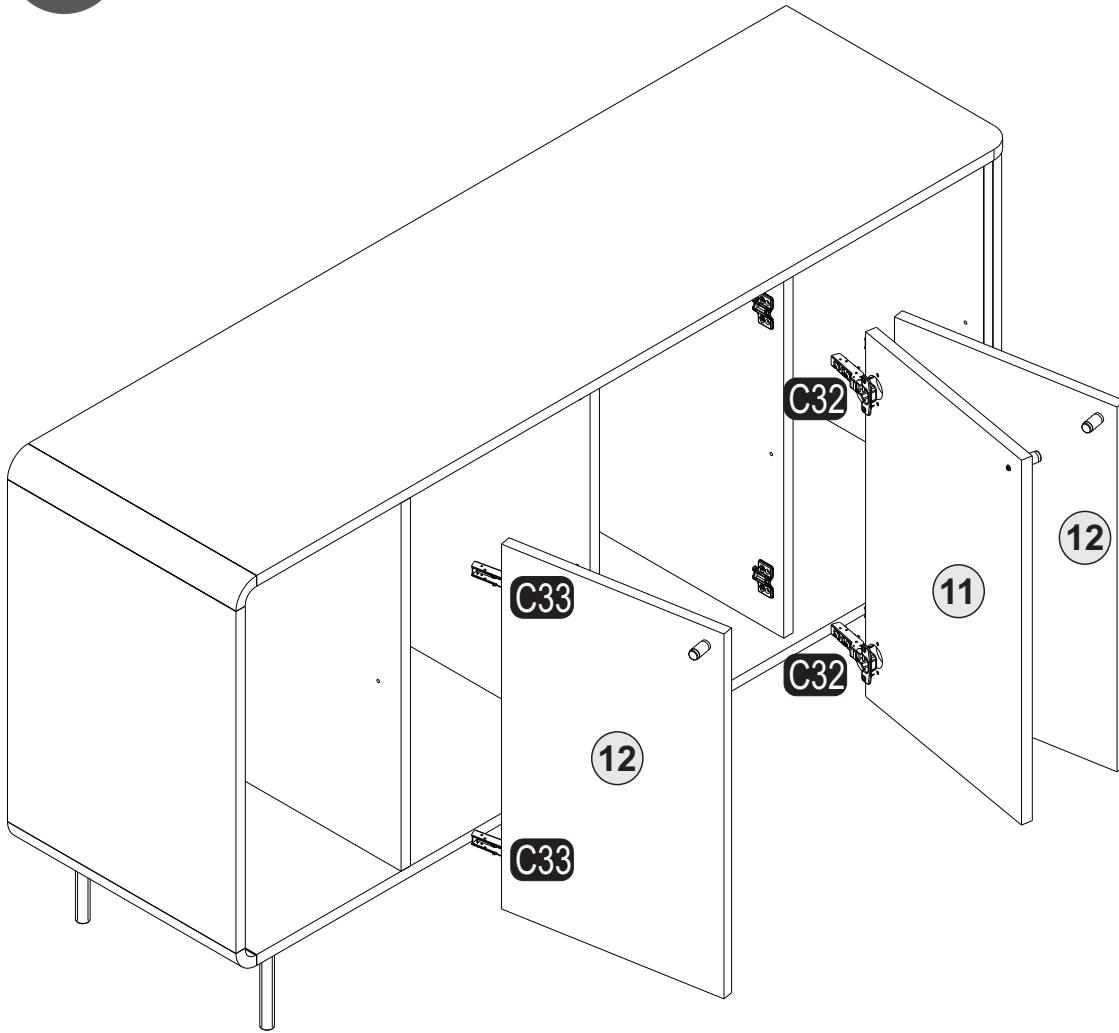


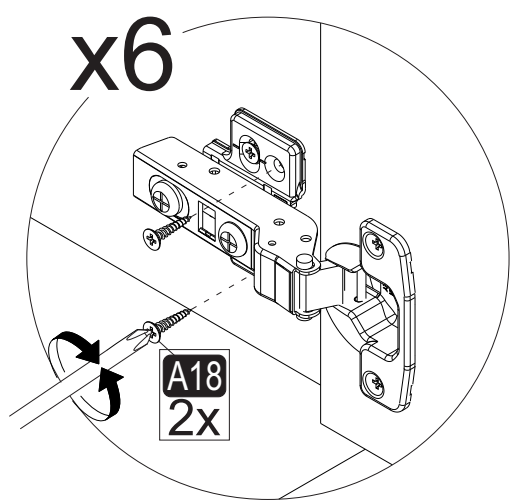
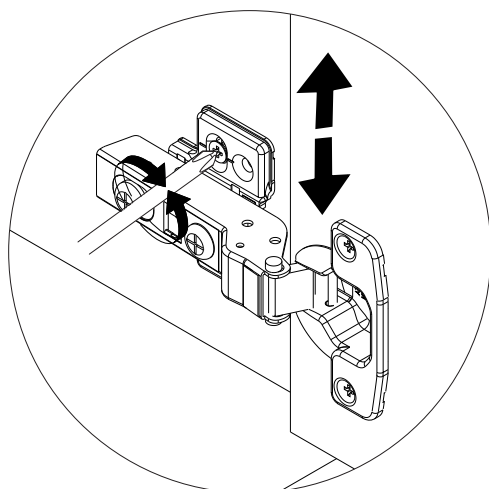
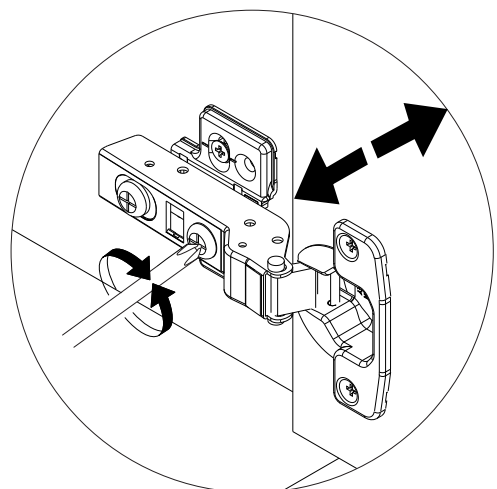
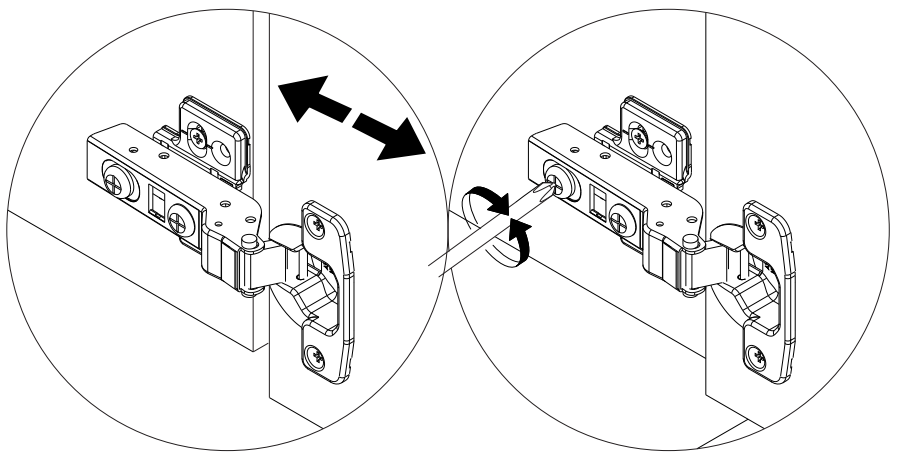
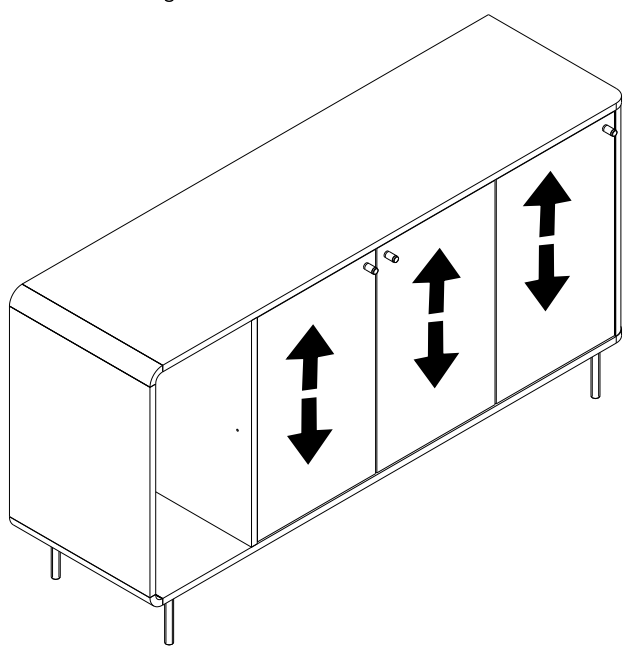
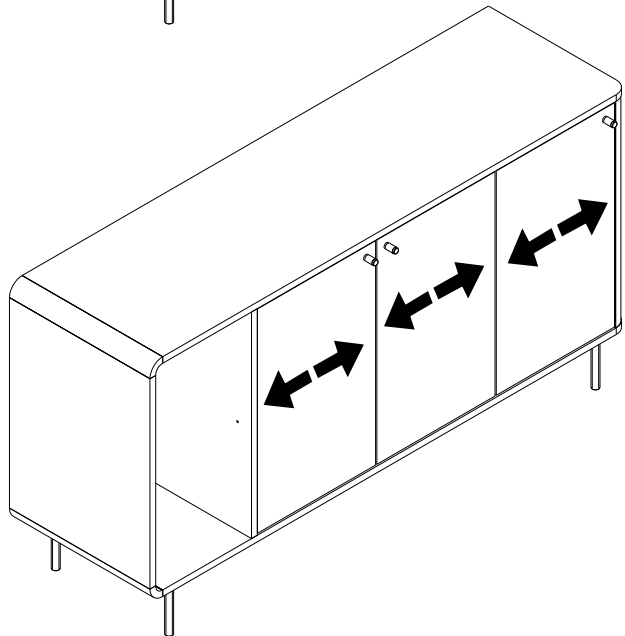
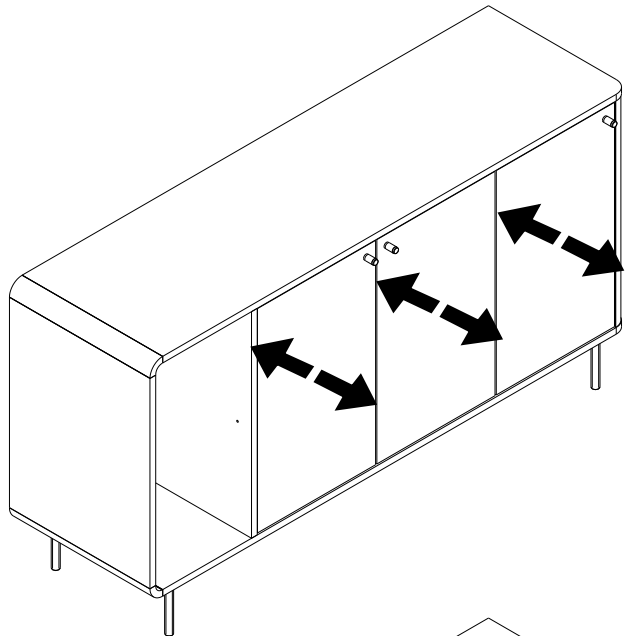
15

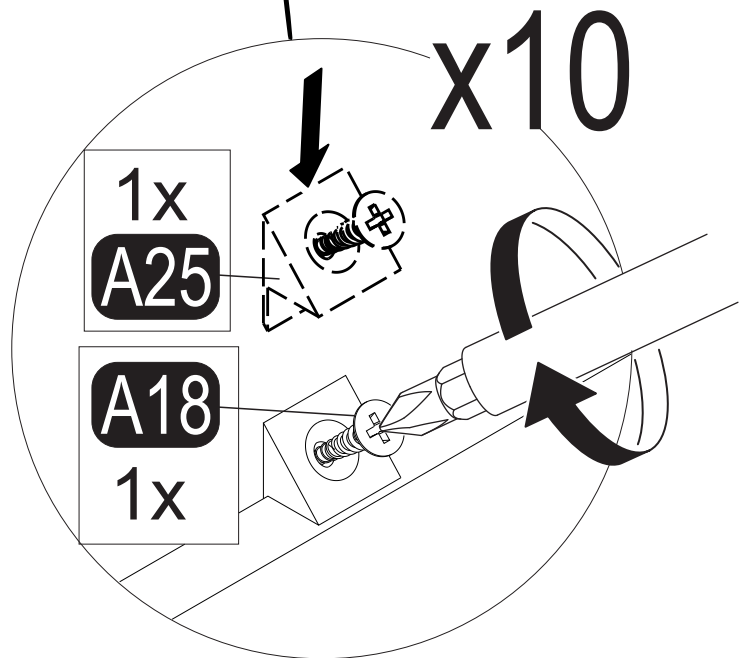
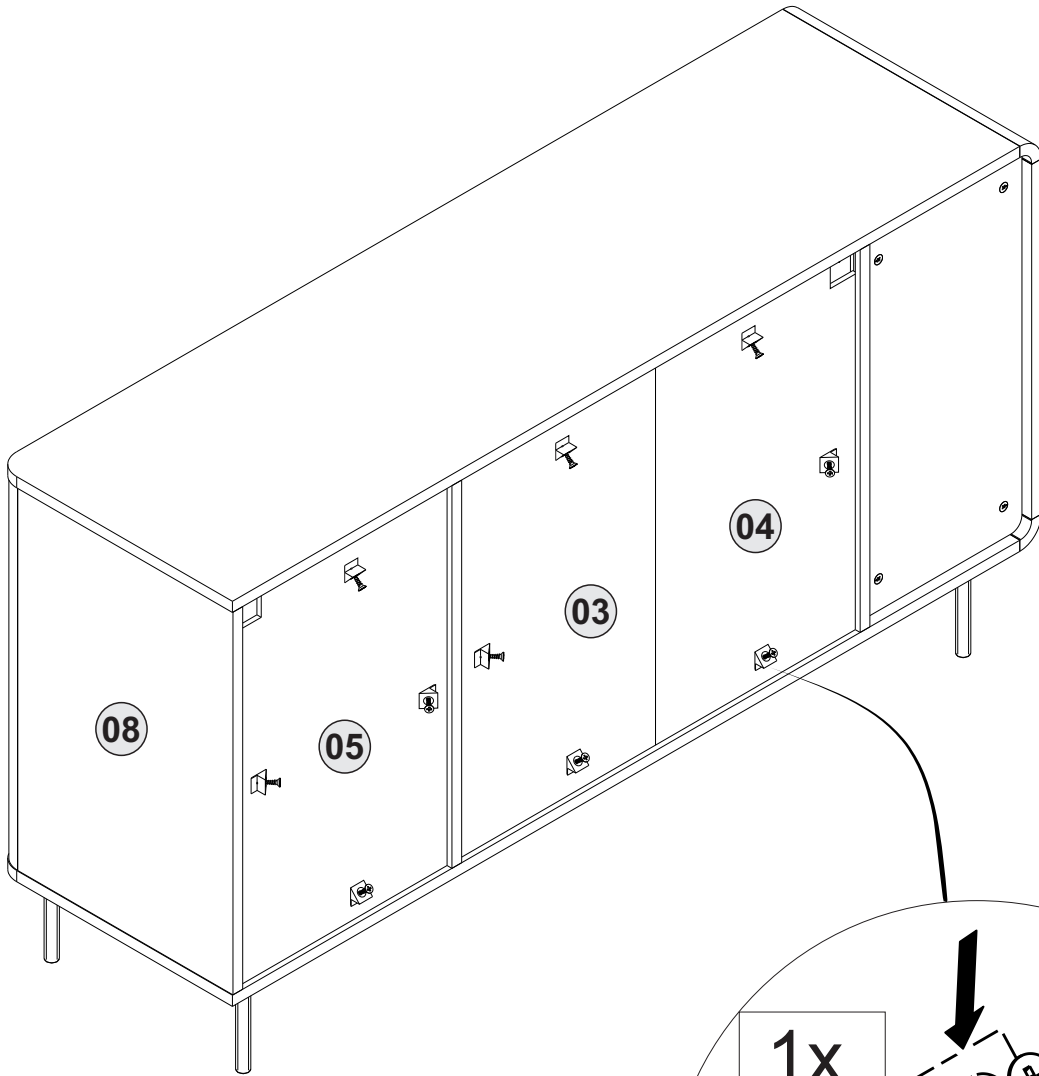


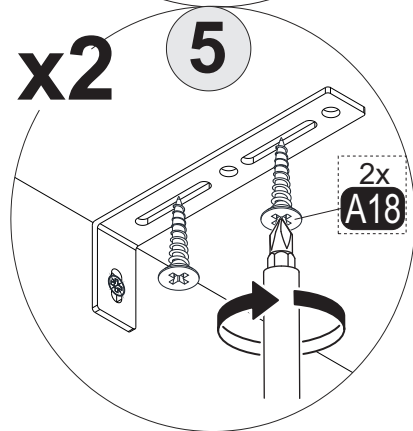
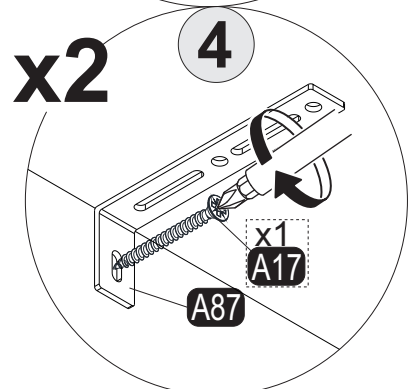
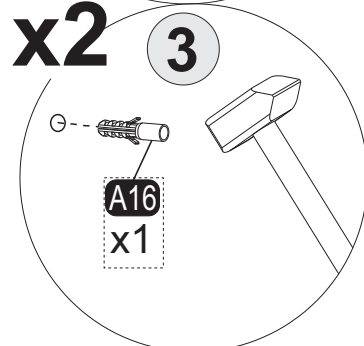
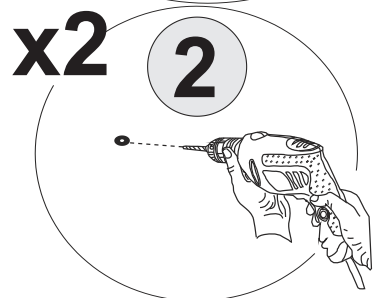
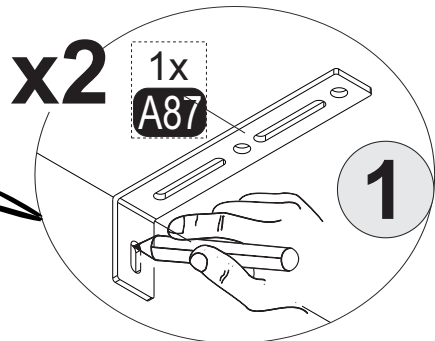
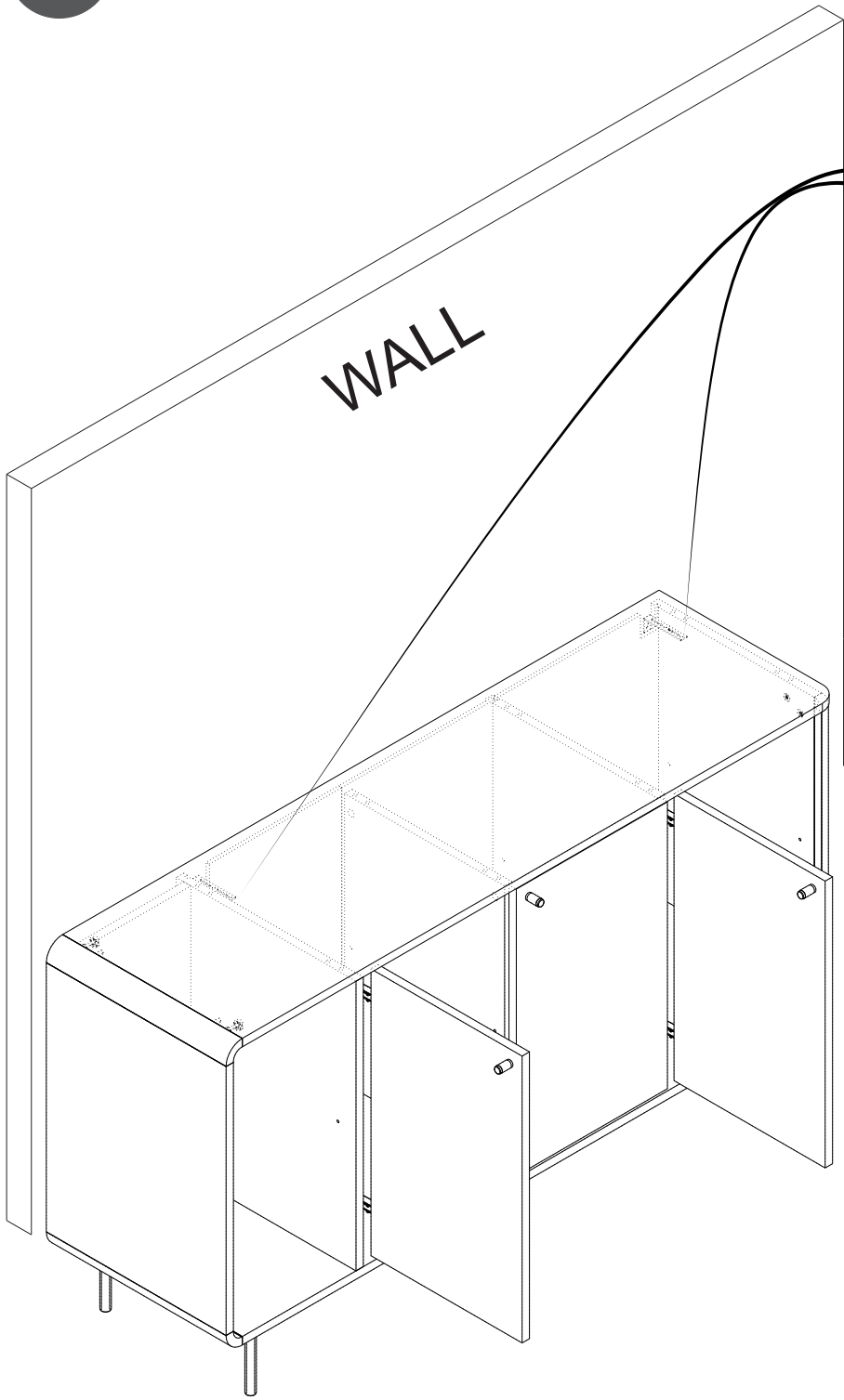
16



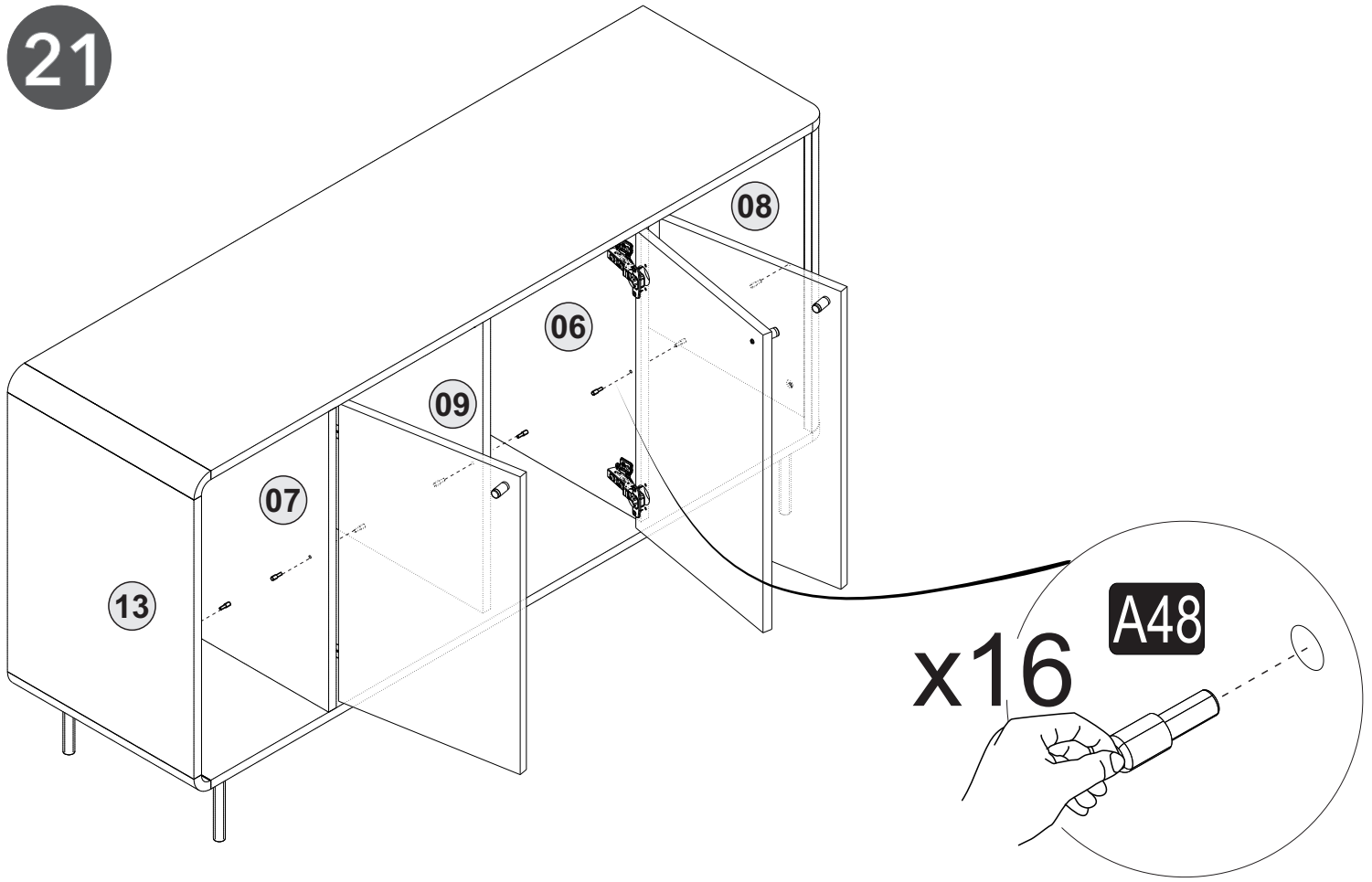








21



22

