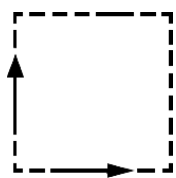


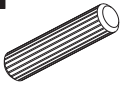
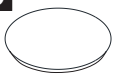

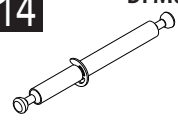
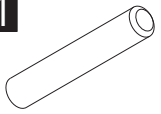
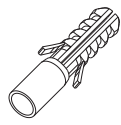
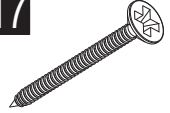

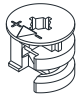
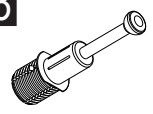
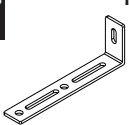
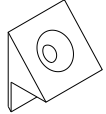



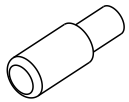


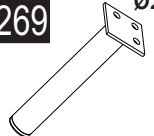
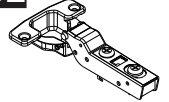
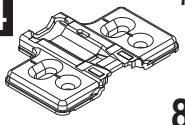
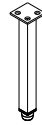


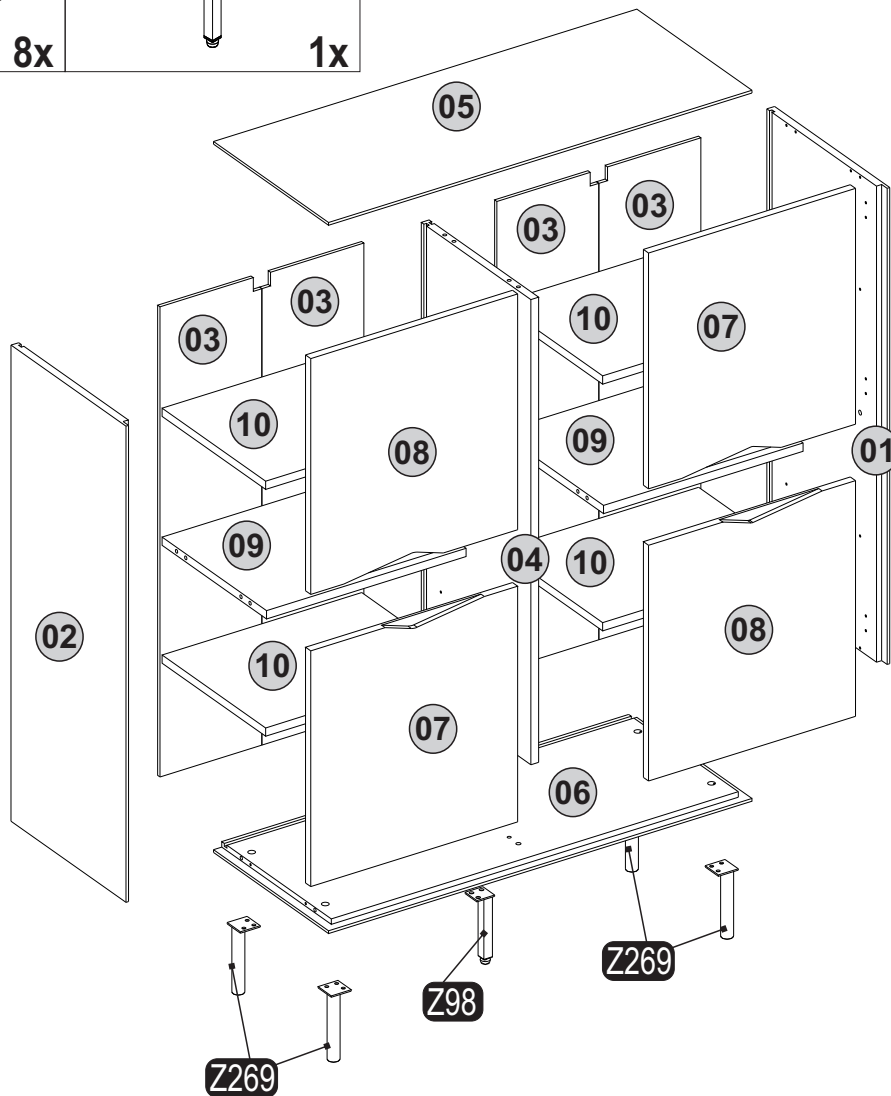
**GP037-0338,1**



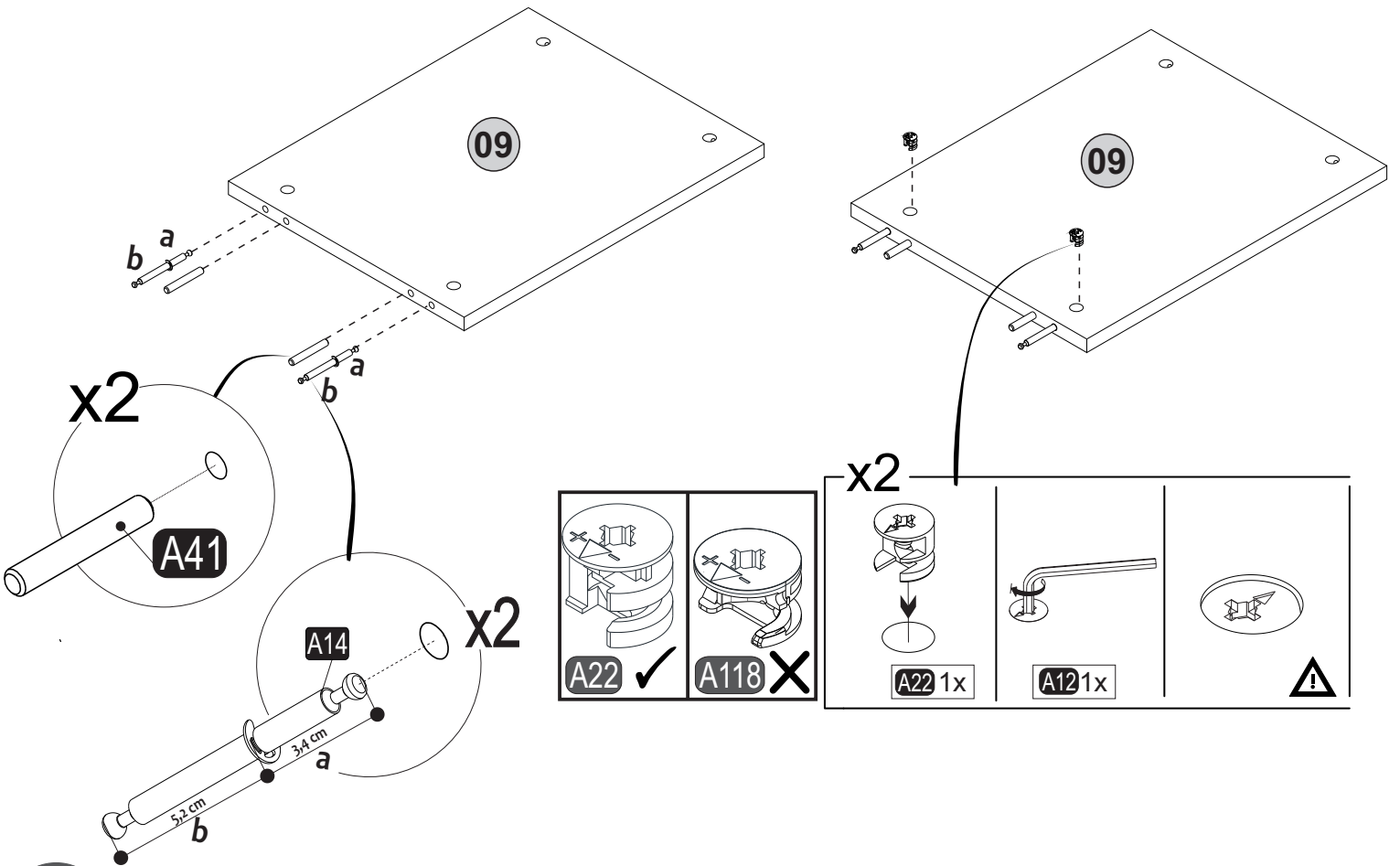
**98 x 40 x 120cm**

# HARDWARE LIST

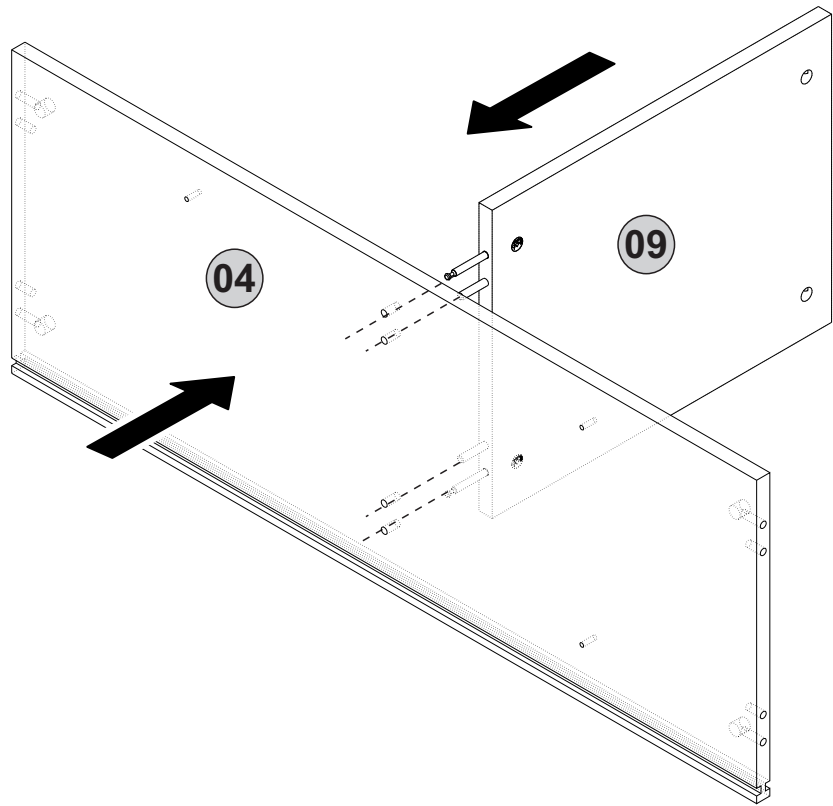
<b>A04</b>  Ø8x30 8x	<b>A06</b>  18mm C1-20x	<b>A12</b>  Allen 1x	<b>A14</b>  DFM6-86 2x	<b>A41</b>  Ø8x55 2x
<b>A16</b>  DbØ8 2x	<b>A17</b>  4X50 2x	<b>A18</b>  3,5x18 68x	<b>A22</b>  Minifix k18 12x	<b>A23</b>  Minifix M10 8x
<b>A87</b>  15x90x30 2x	<b>A25</b>  ARK.PL 16x	<b>A135</b>  Ø11x24 (SD) 8x	<b>A139</b>  Ø5x30 8x	<b>A118</b>  Ø15X12 MM 8x
<b>A48</b>  Raf Pimi 16x	<b>A69</b>  P.D. 15x	<b>B06</b>  15 mm 15x	<b>Z269</b>  Ø25x150 MM 4x	<b>C32</b>  YM 8x
<b>C34</b>  MA 8x	<b>Z98</b>  AMA 150mm 1x			



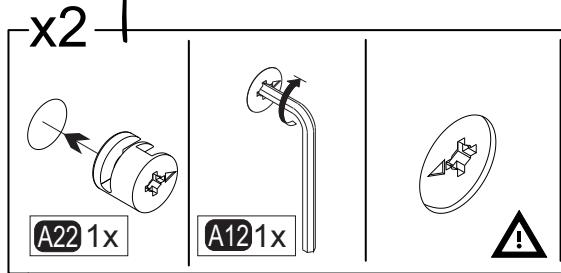
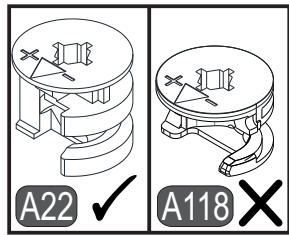
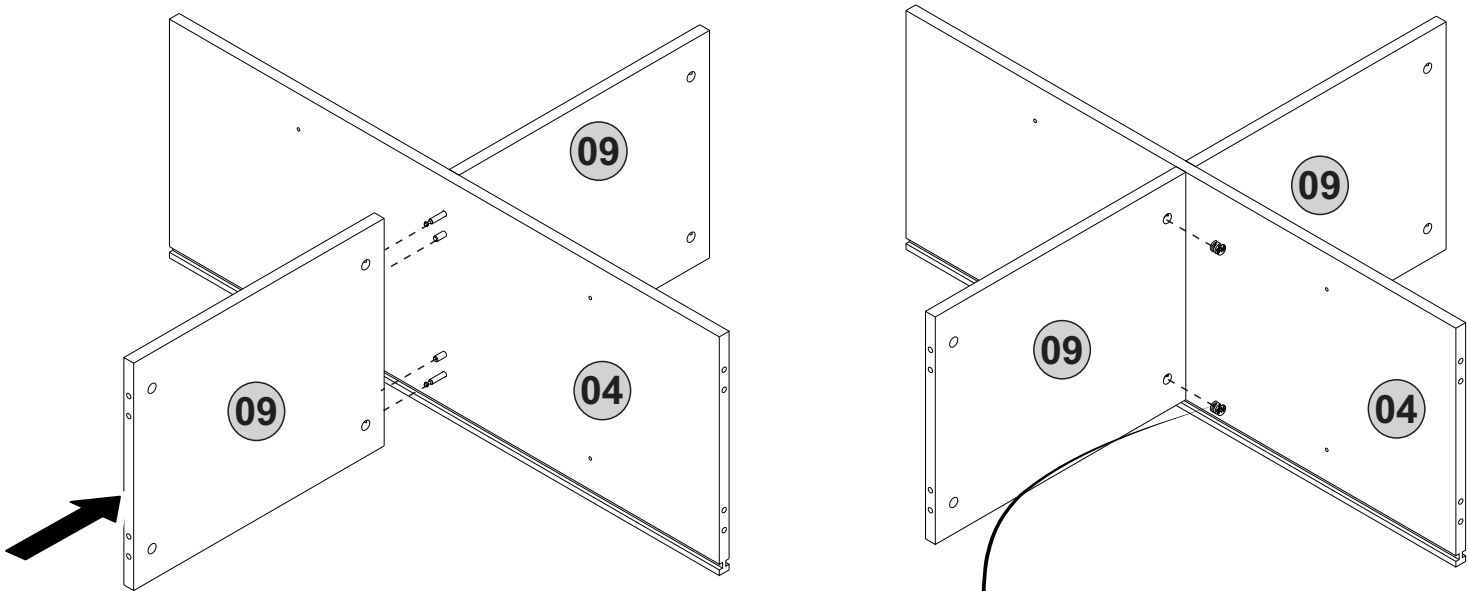
1



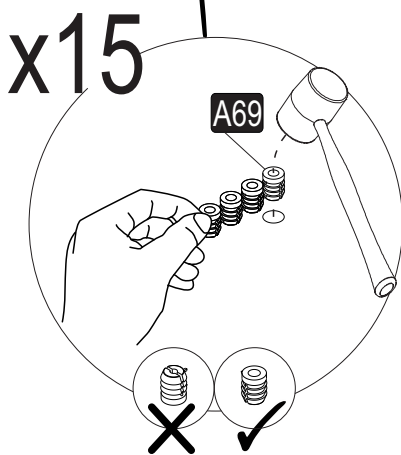
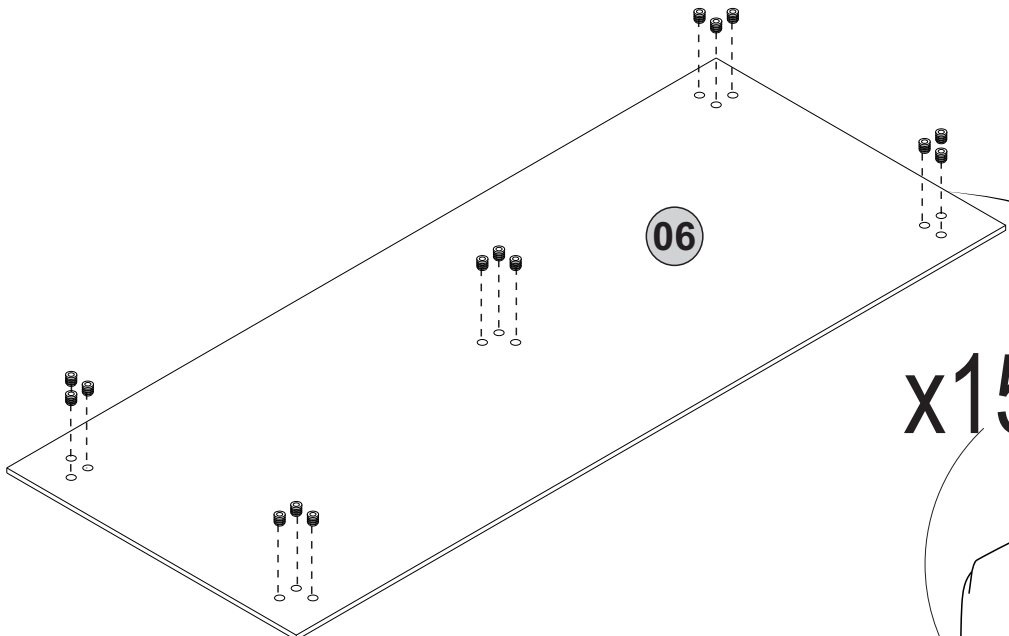
2



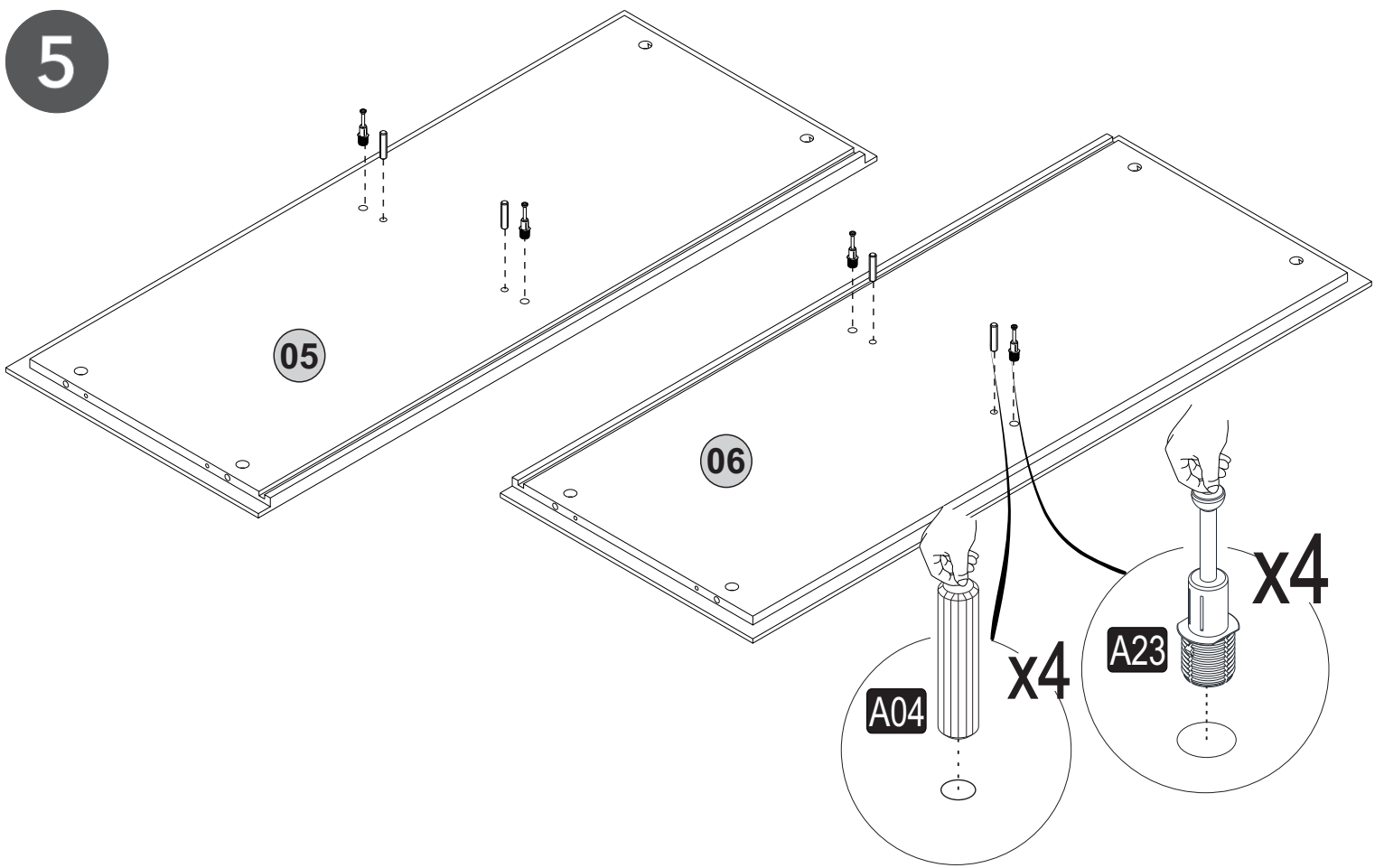
3



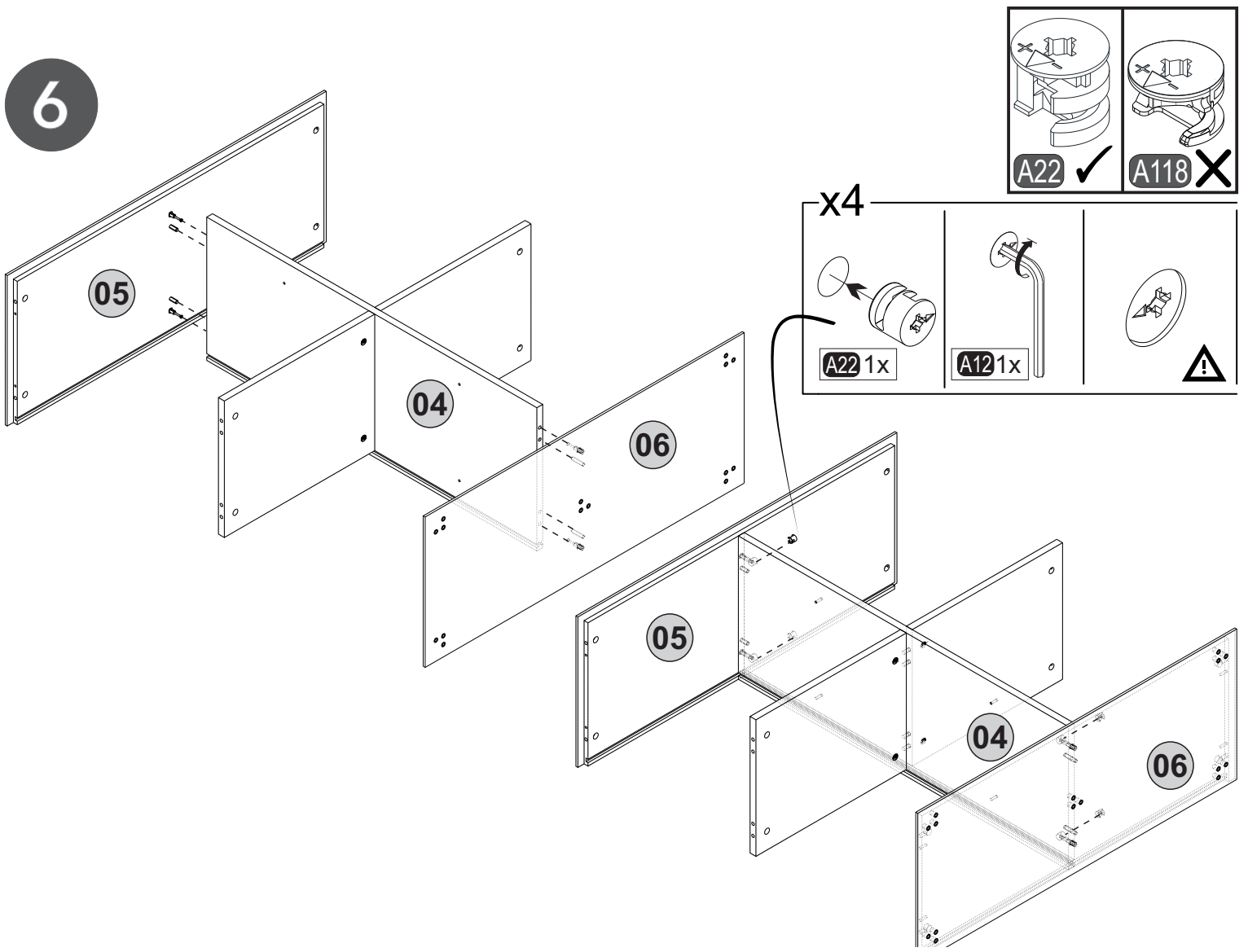
4



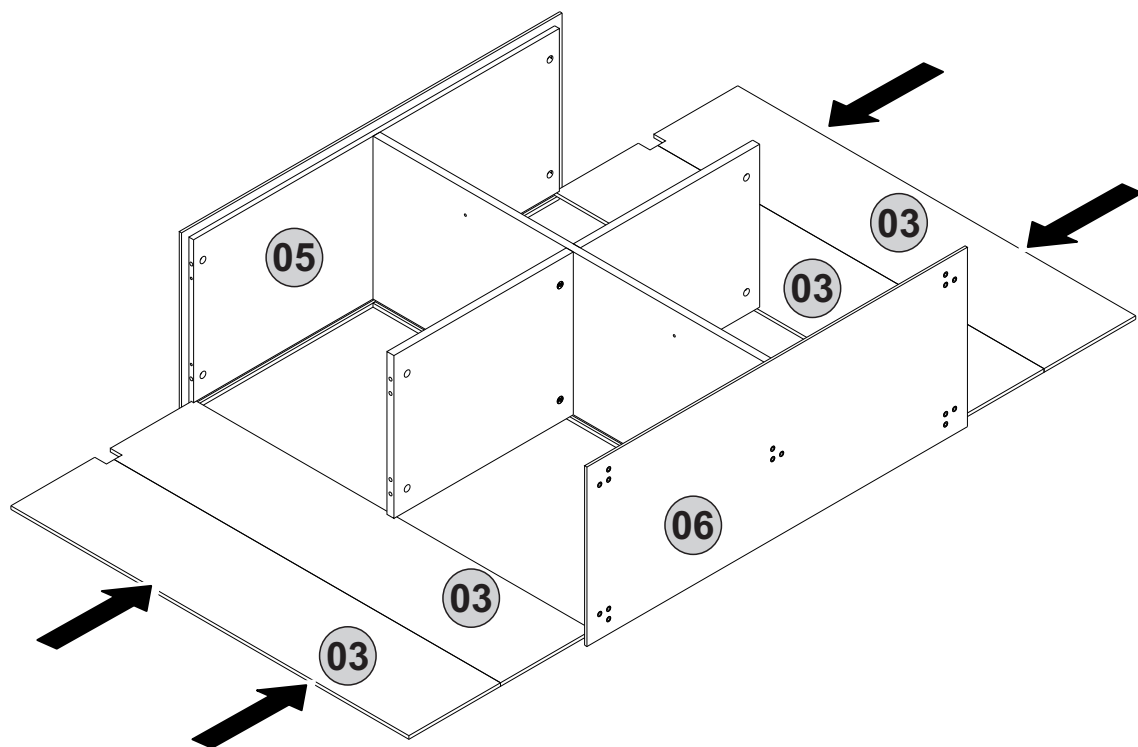
5



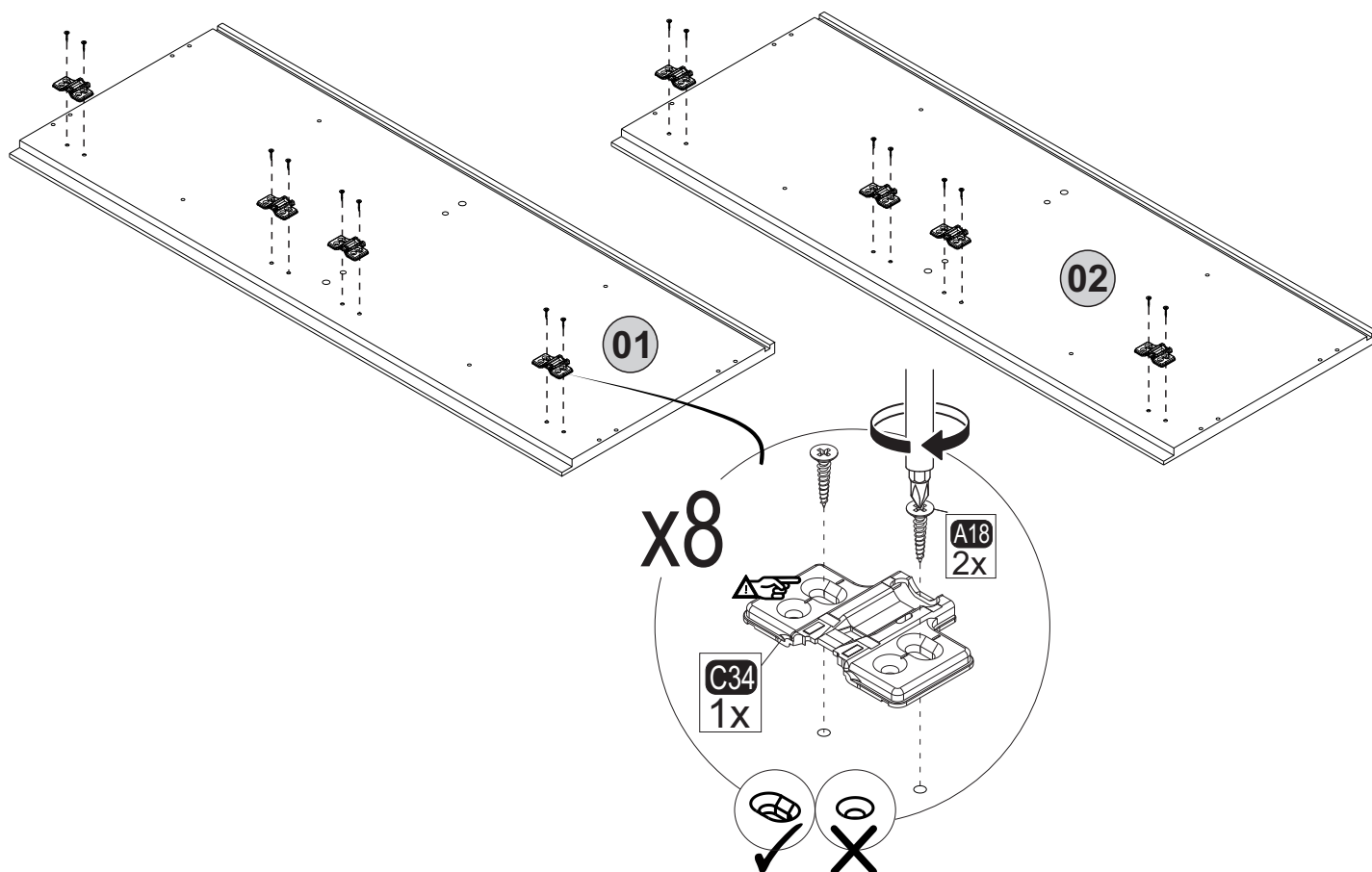
6

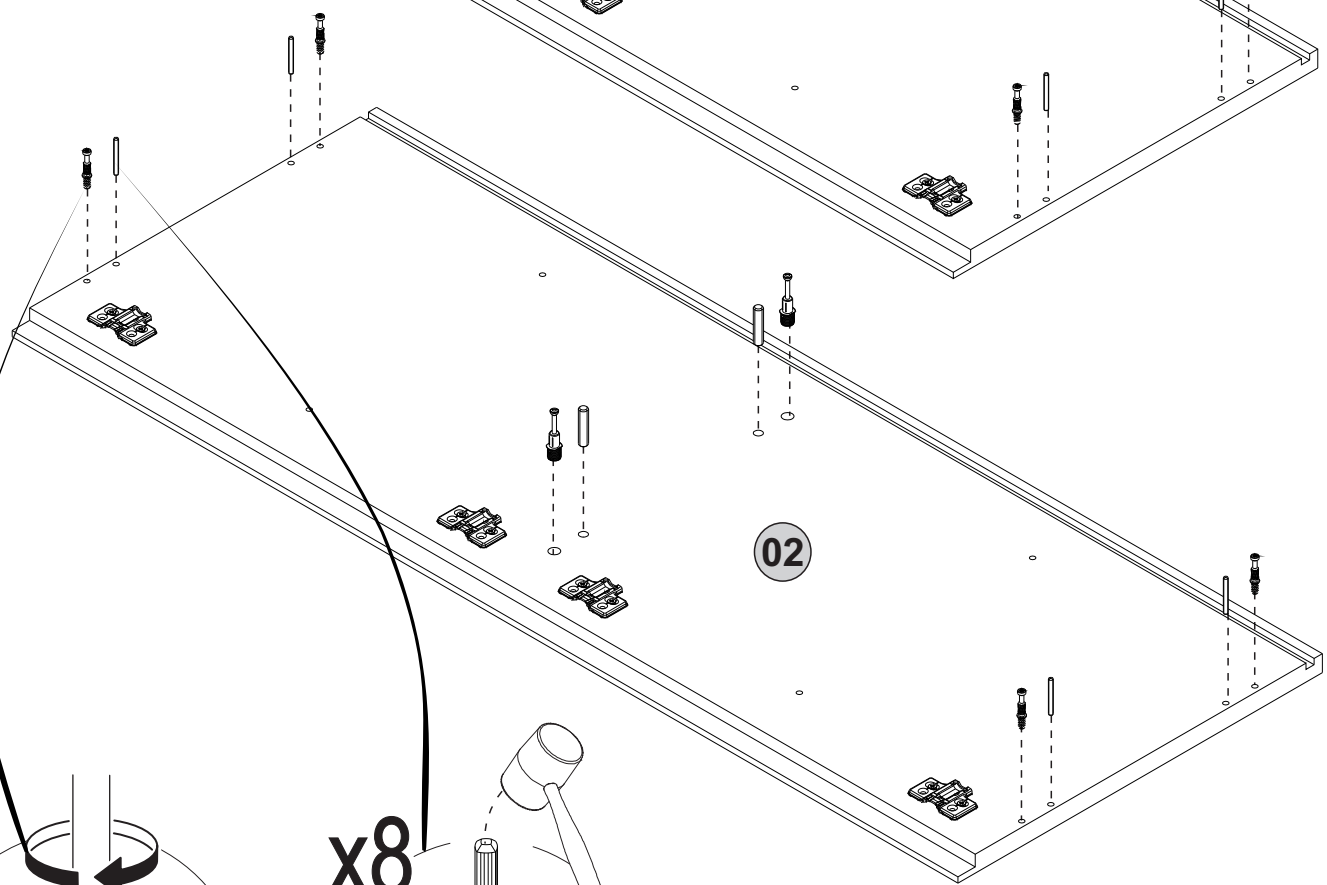
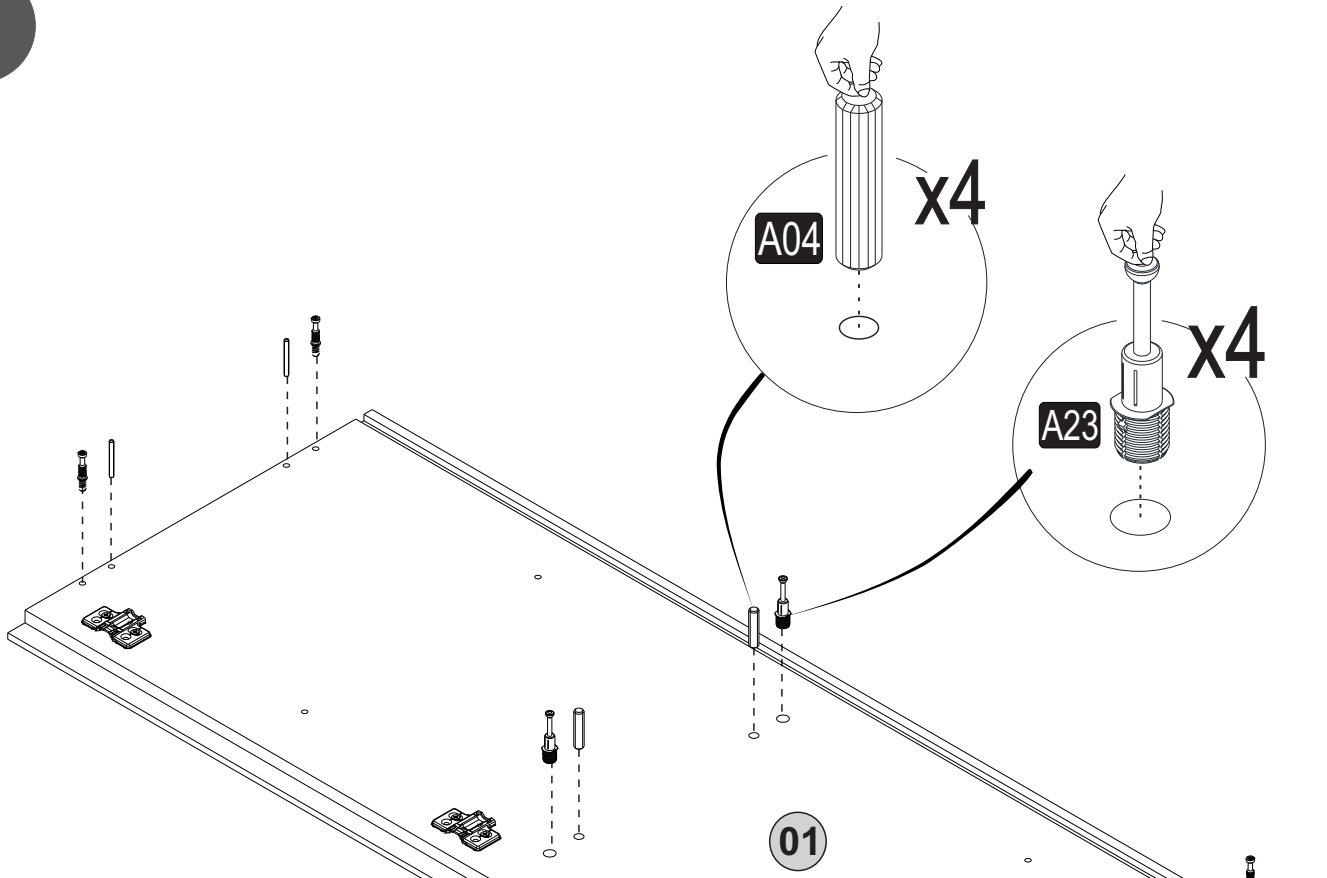


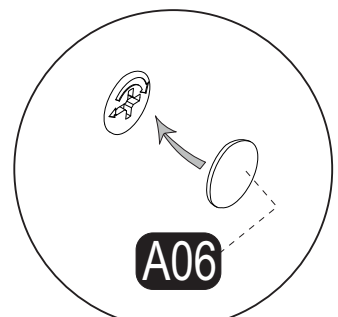
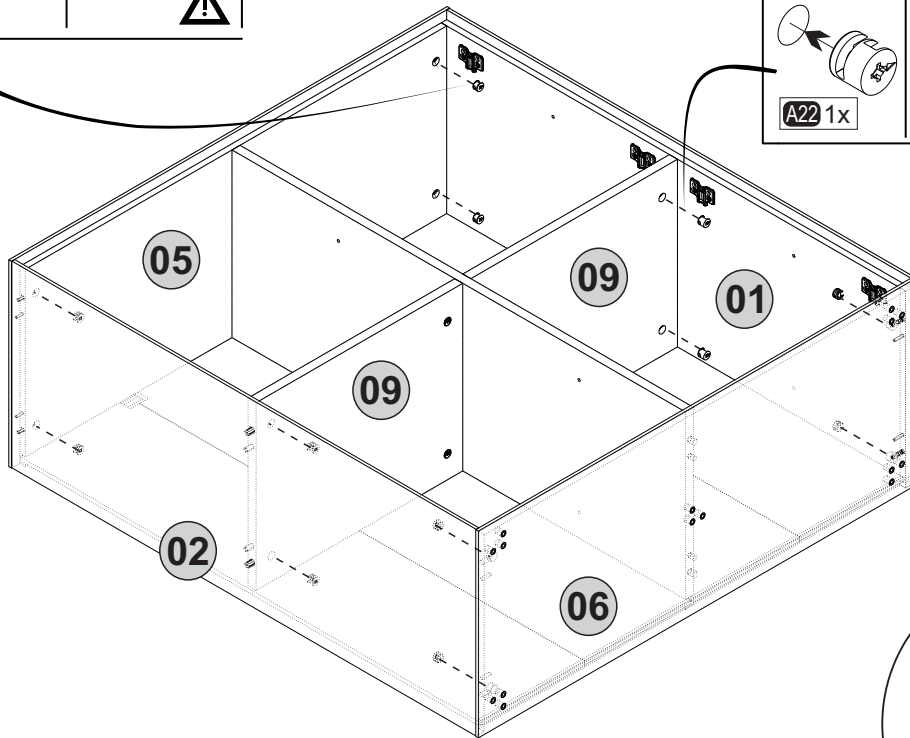
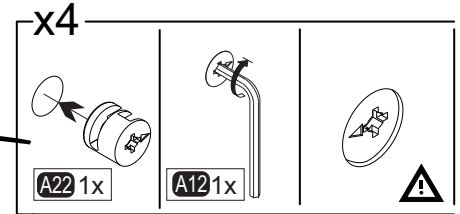
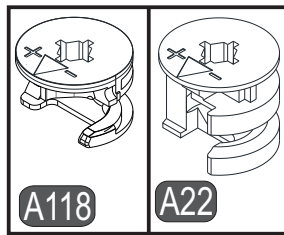
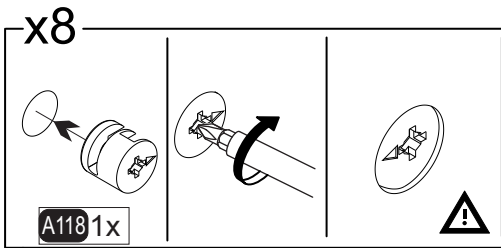
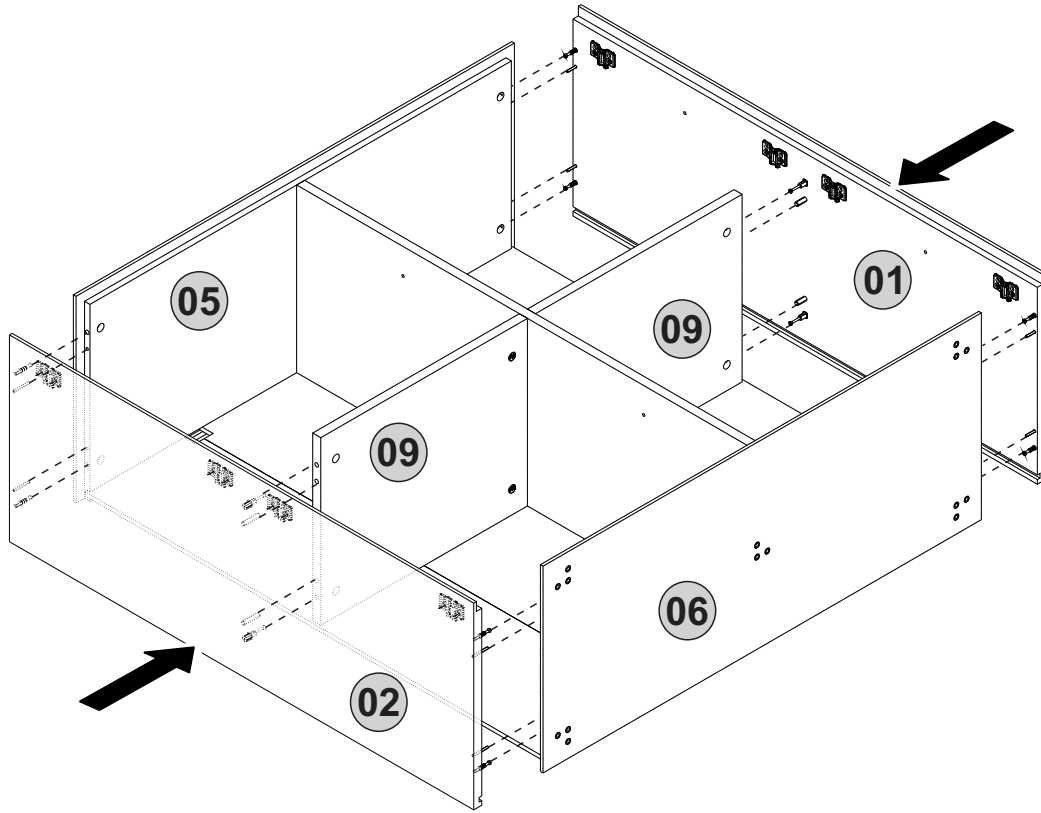
7



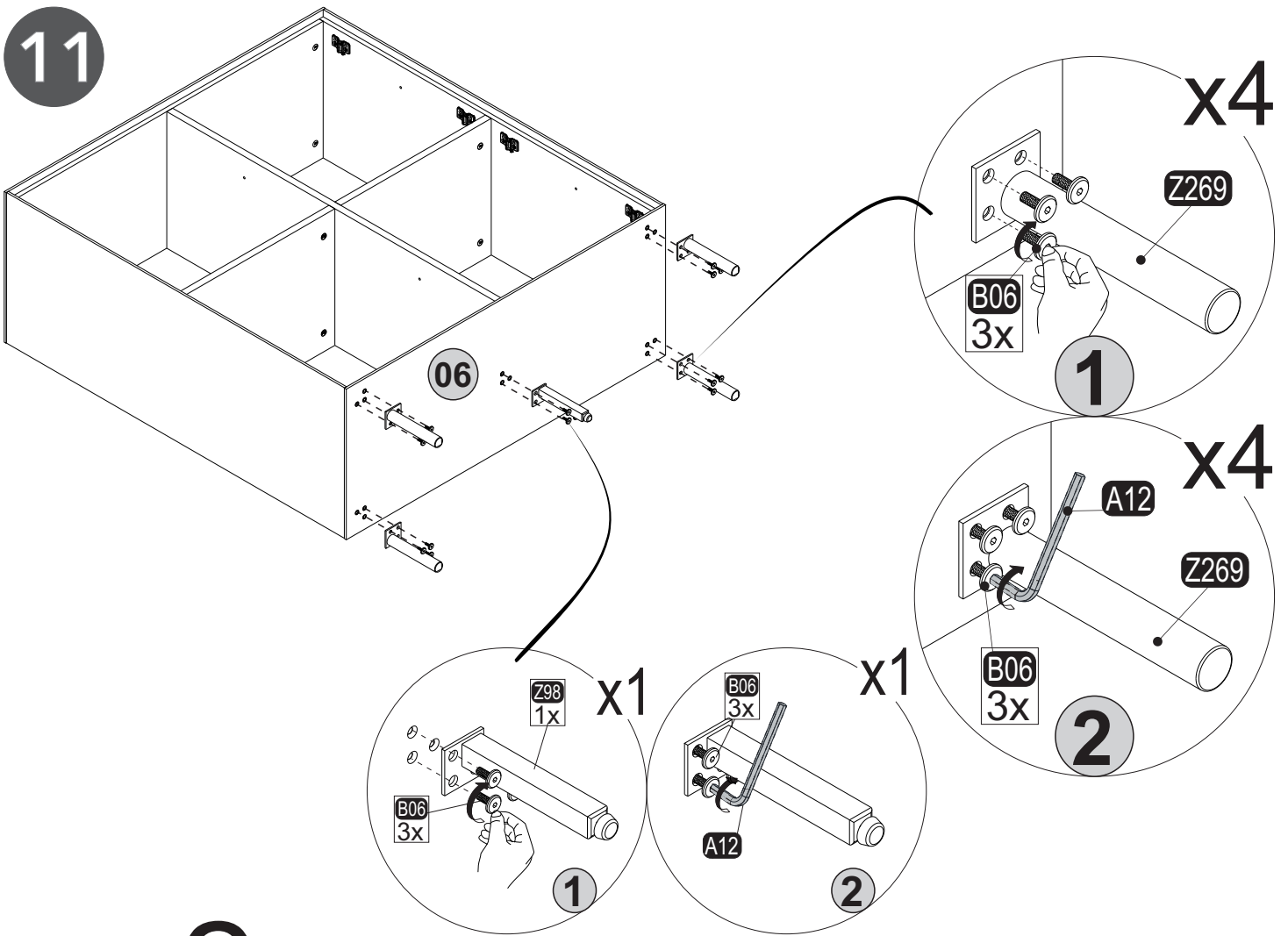
8



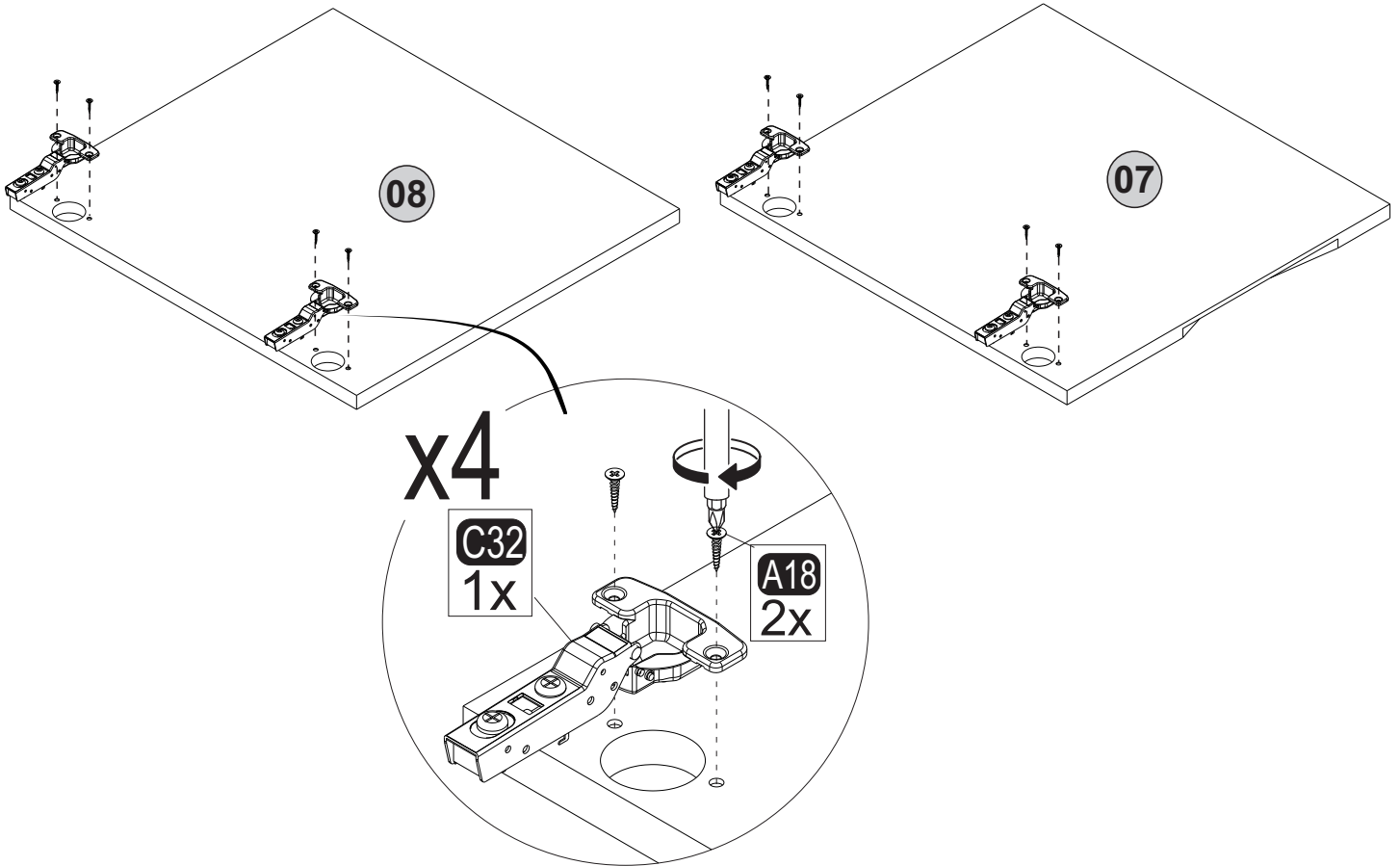




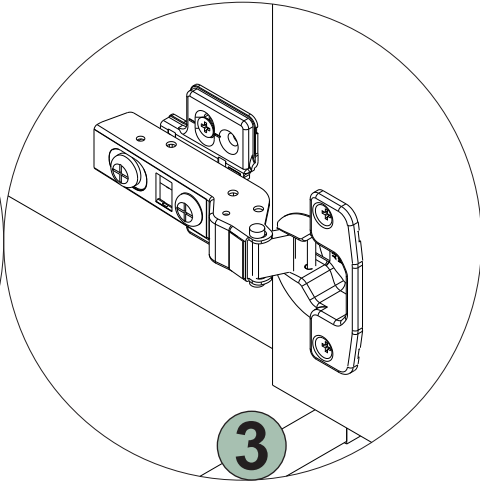
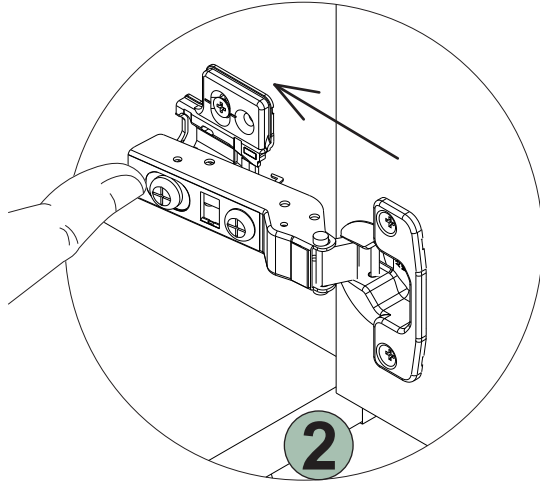
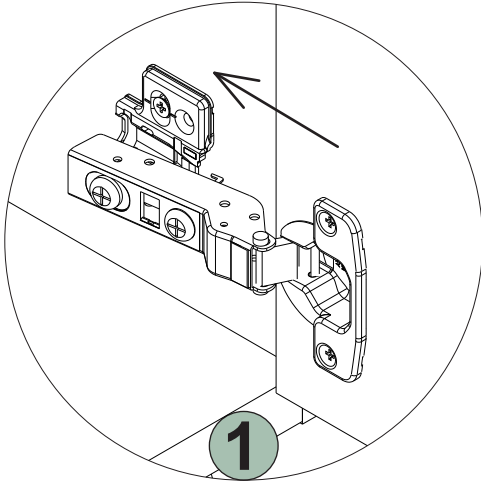
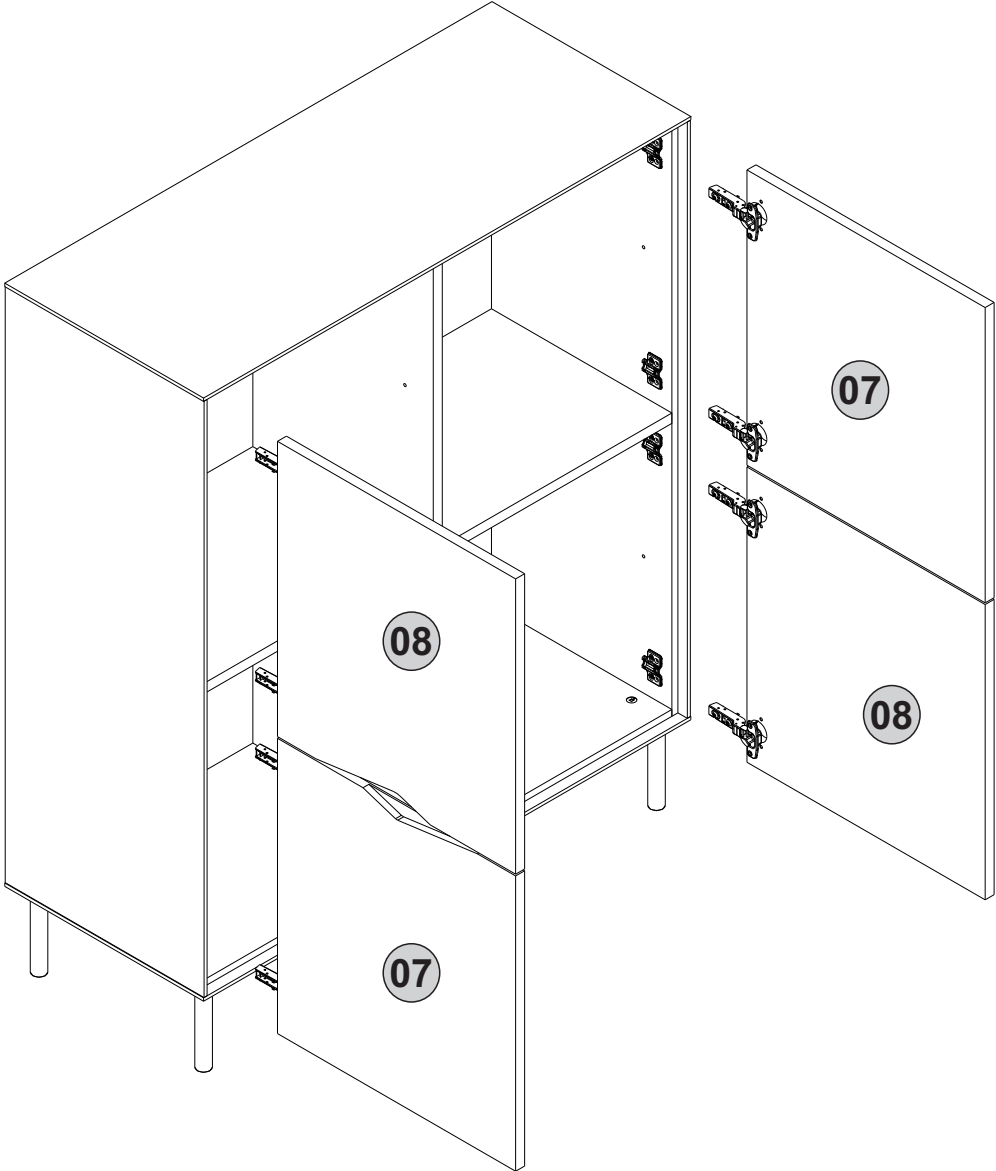
11



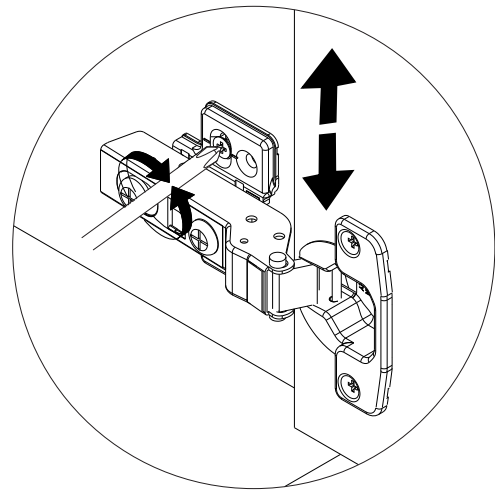
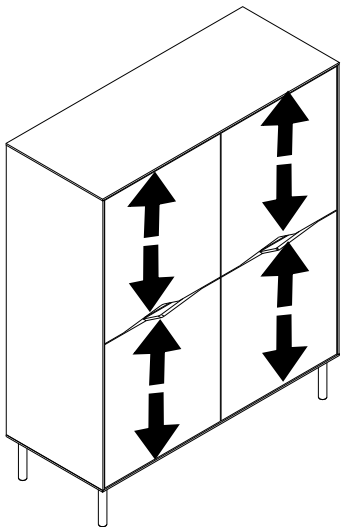
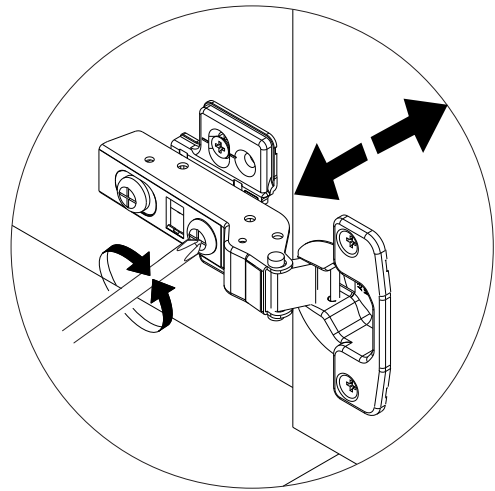
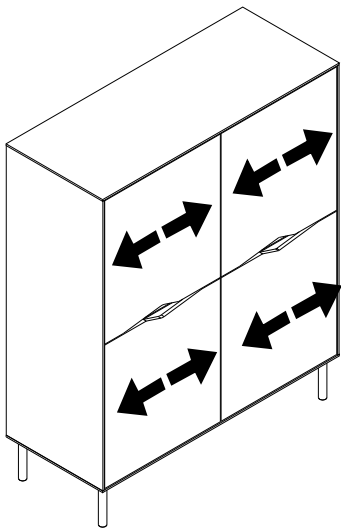
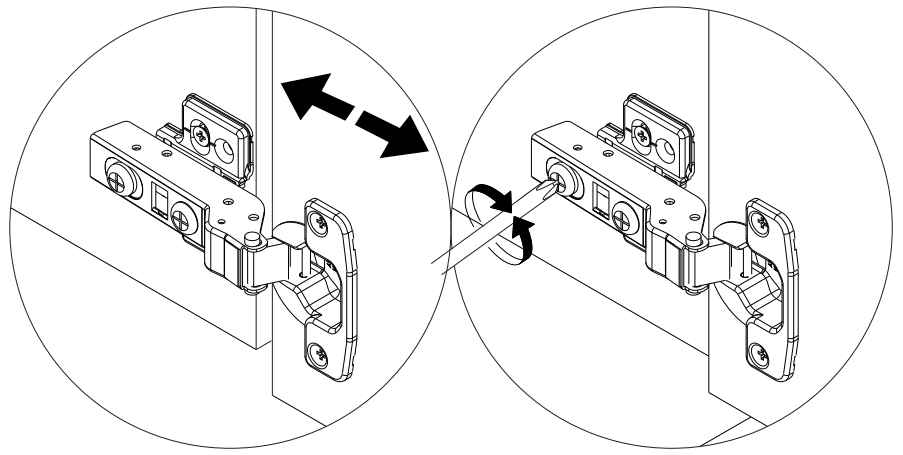
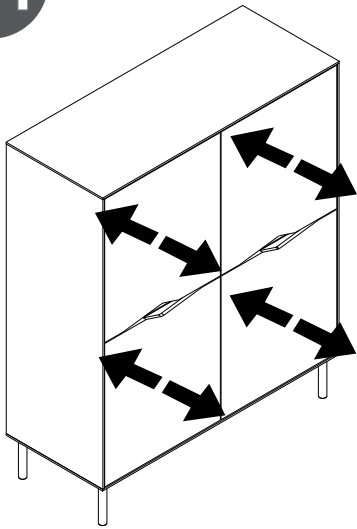
12 x2



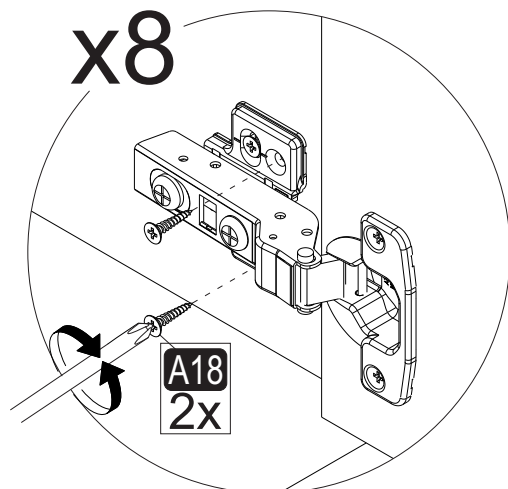
13

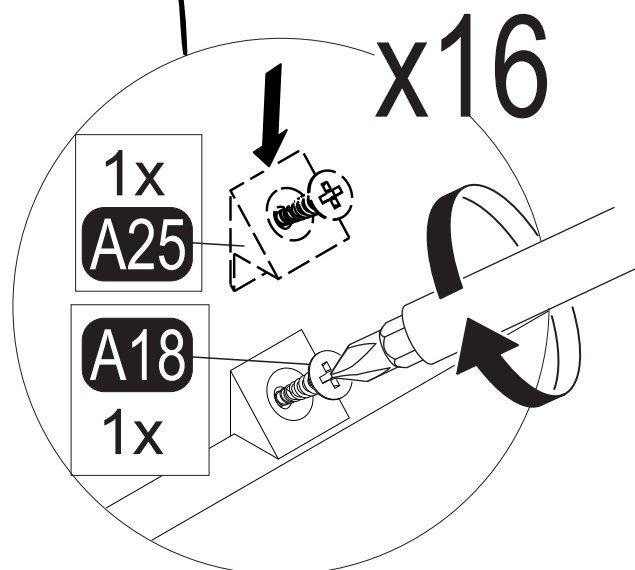
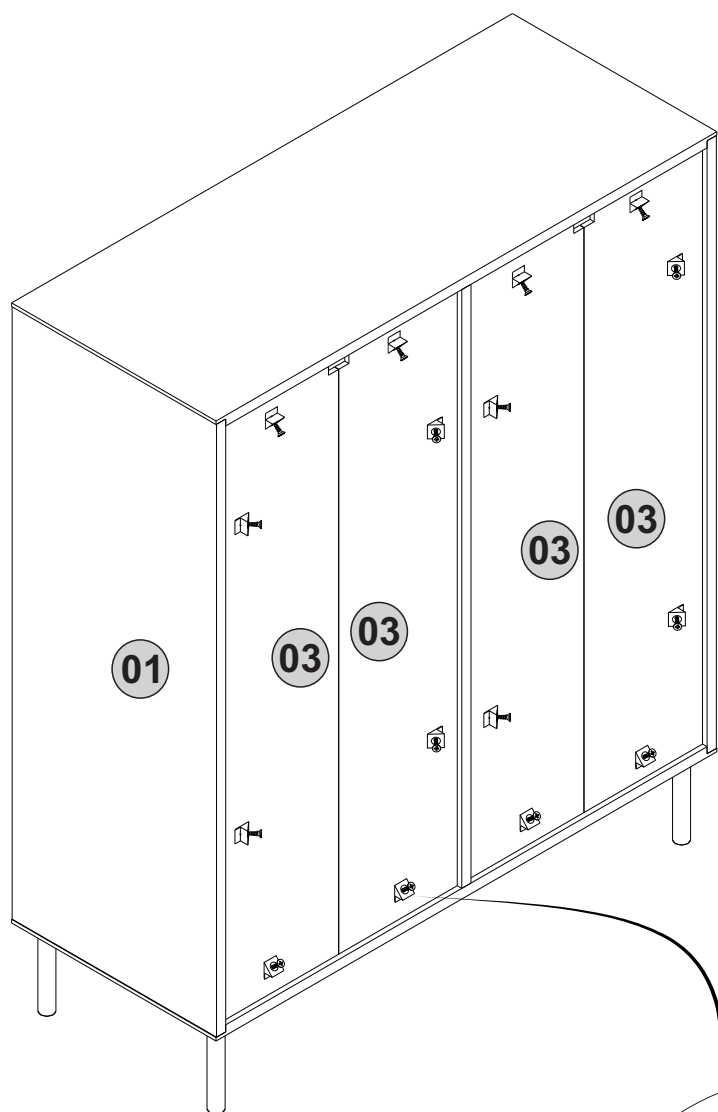


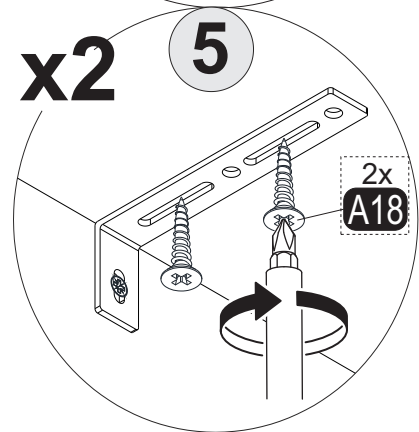
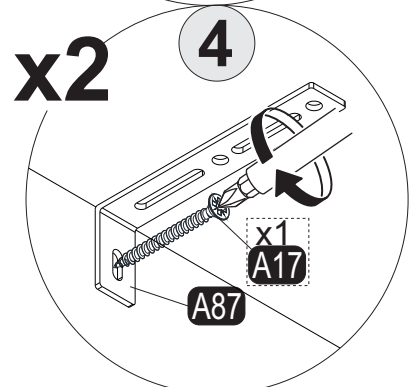
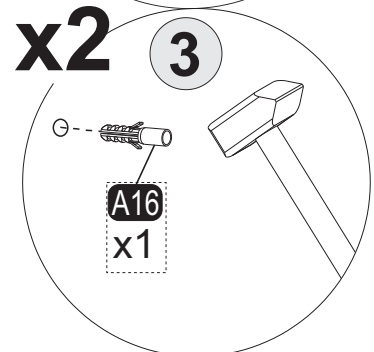
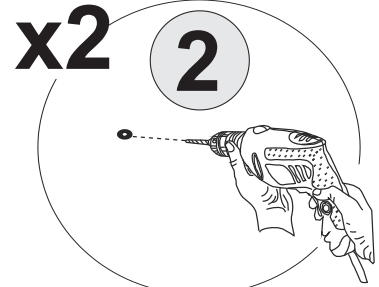
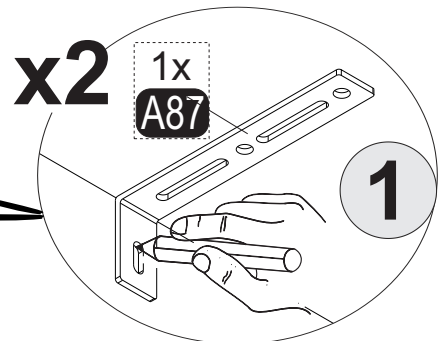
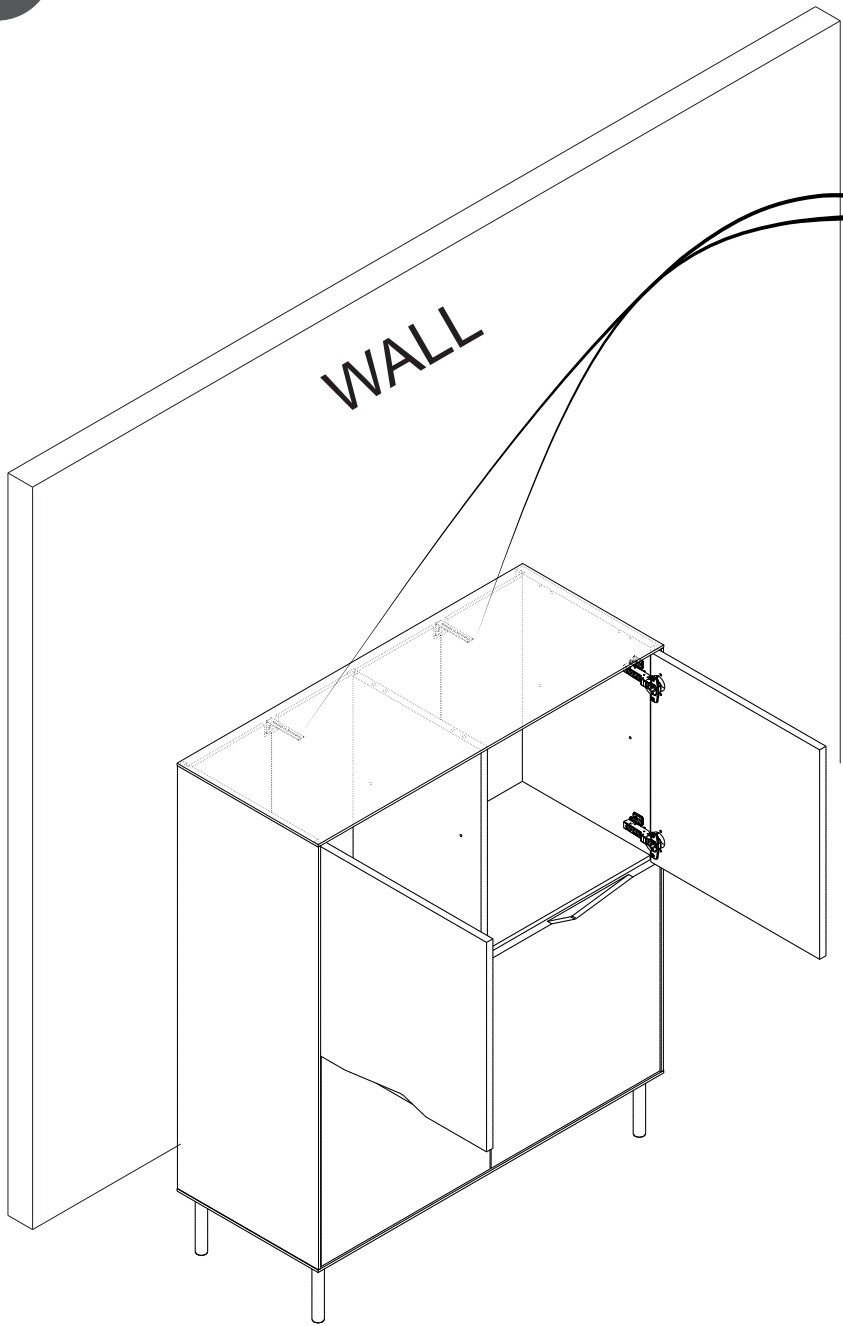
14



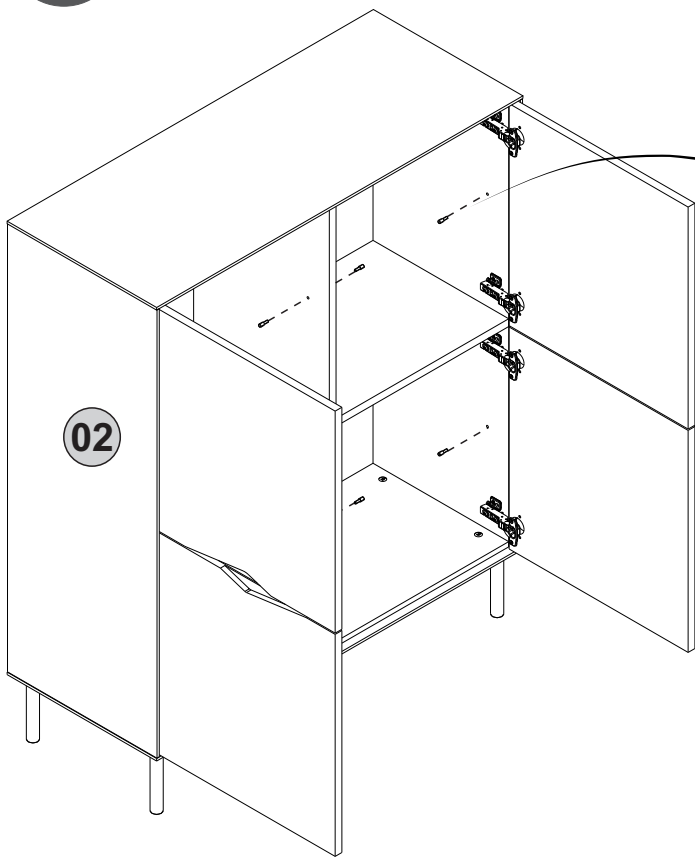
x8





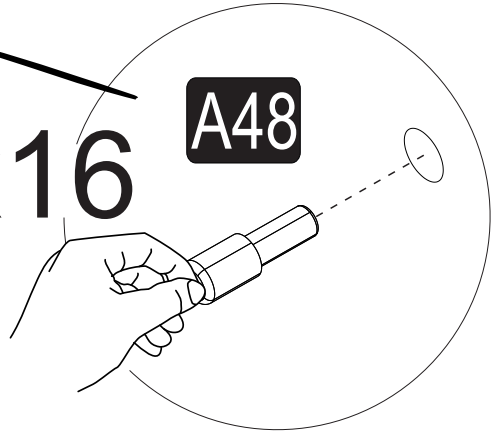


17



x16

A48



18

