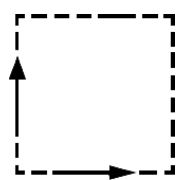

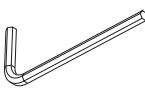



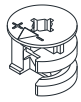
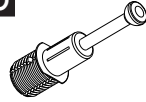
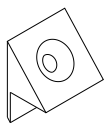

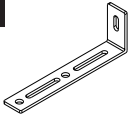



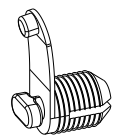
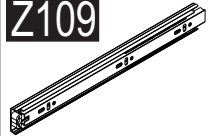

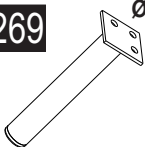



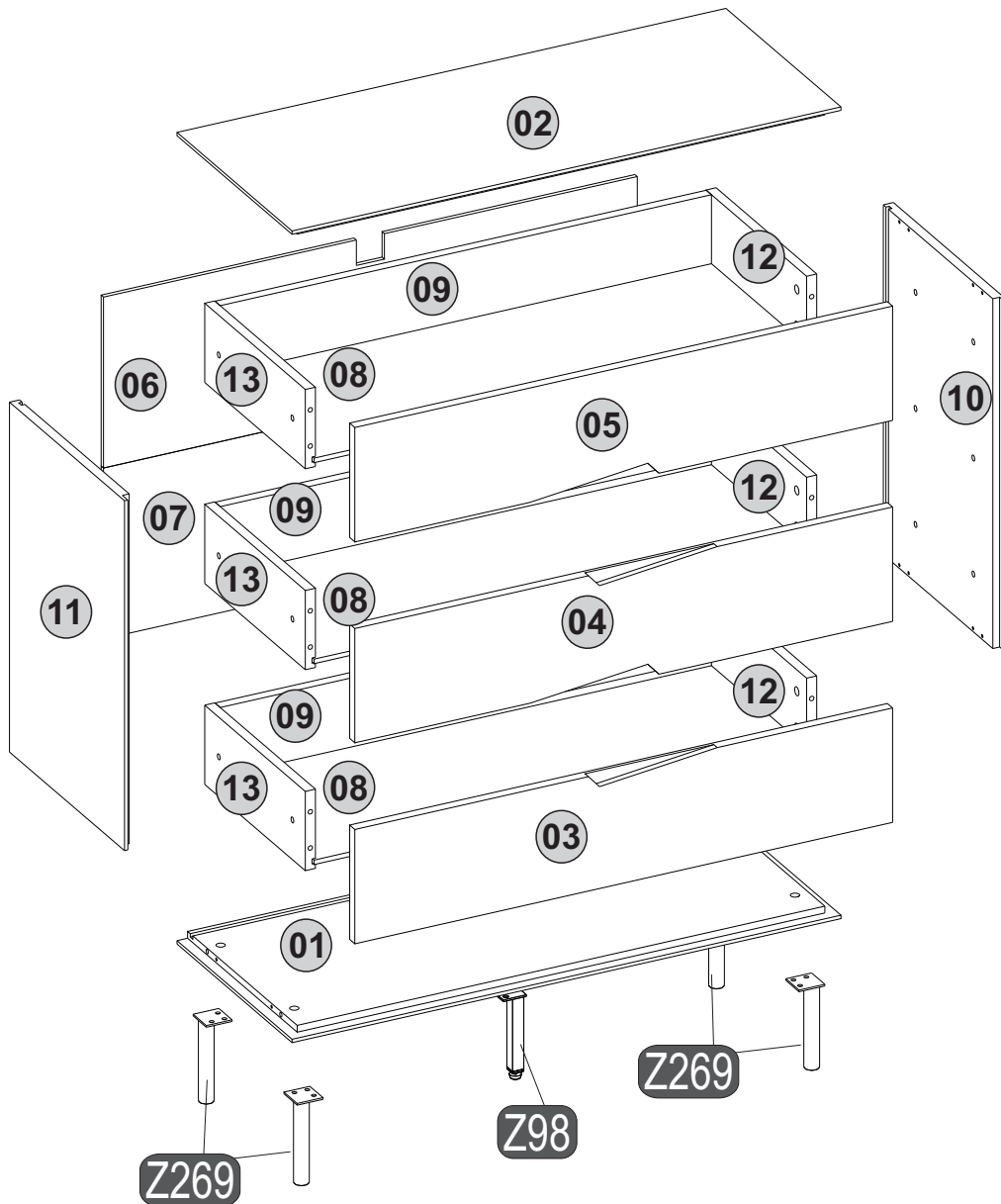
i GP037-0339,1



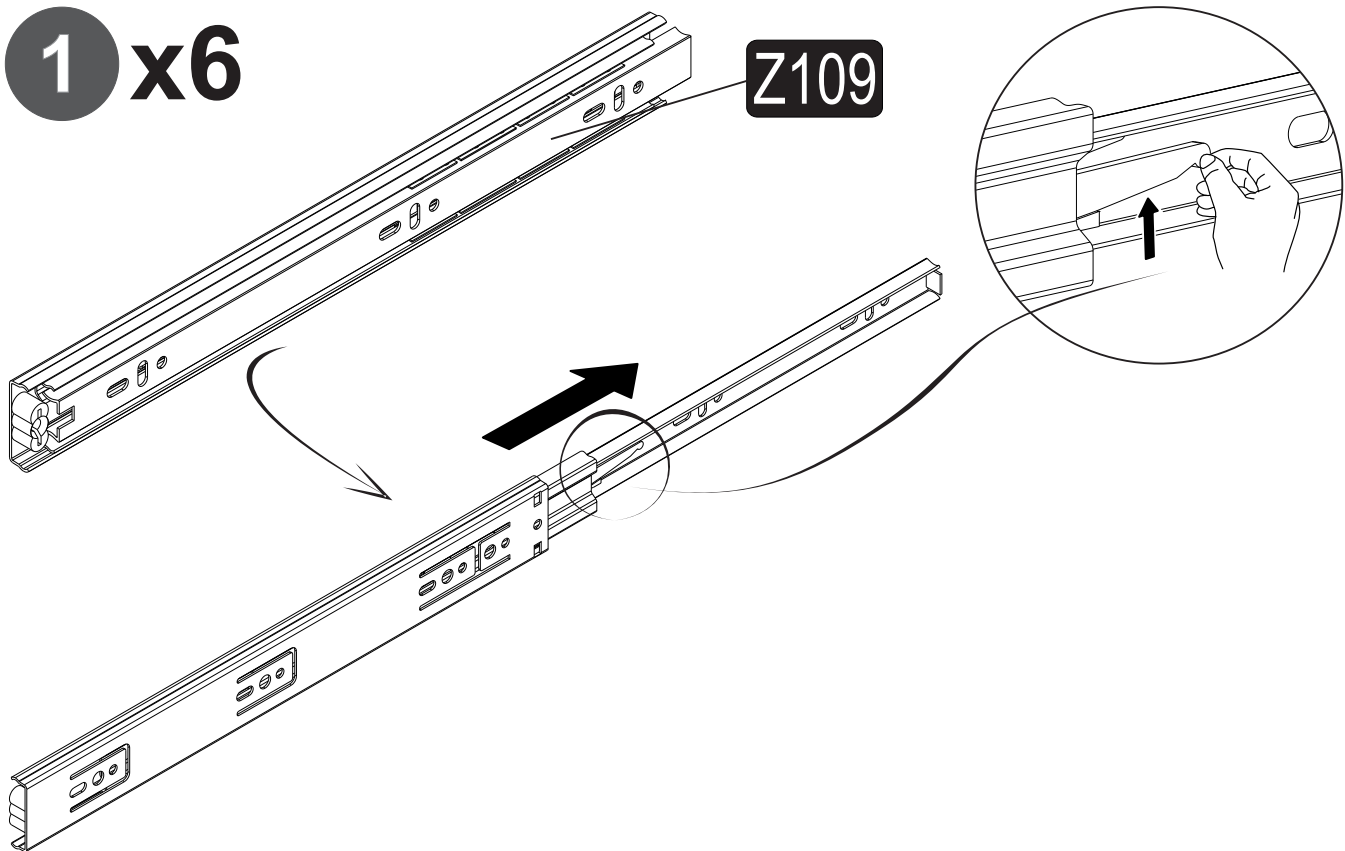
98 x 40 x 78,5cm

HARDWARE LIST

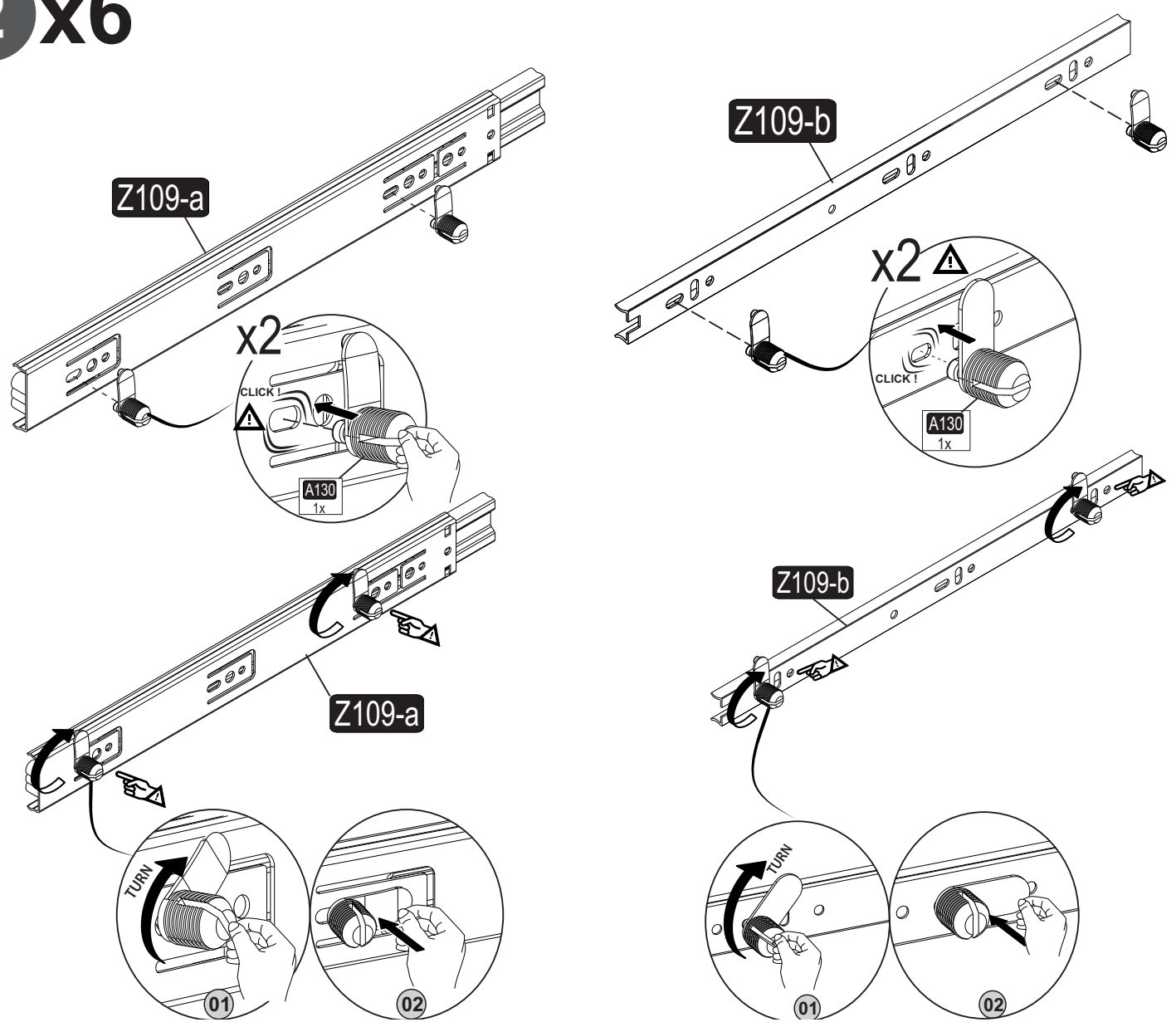
A06 18mm  C1-32x	A12 Allen  1x	A16 DbØ8  1x	A17 4X50  1x	A18 3,5x18  22x
A22 Minifix k18  24x	A23 Minifix M10  24x	A25 ARK.PL  20x	A69 P.D.  15x	A87 15x90x30  1x
A118 Ø15X12 MM  8x	A135 Ø11x24 (SD)  8x	A139 Ø5x30  8x	A130 T.R.D.  24x	Z109 35x300 TR  3x
B06 15 mm  15x	Z269 Ø25x150 MM  4x	Z98 AMA 150mm  1x		



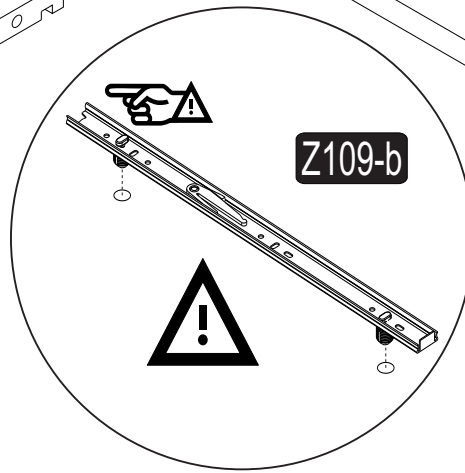
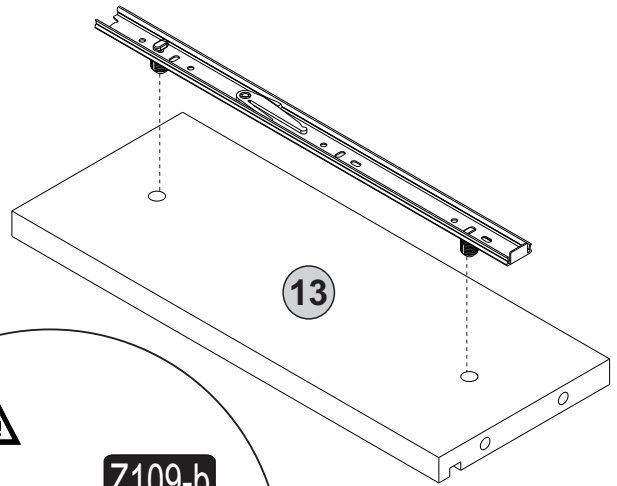
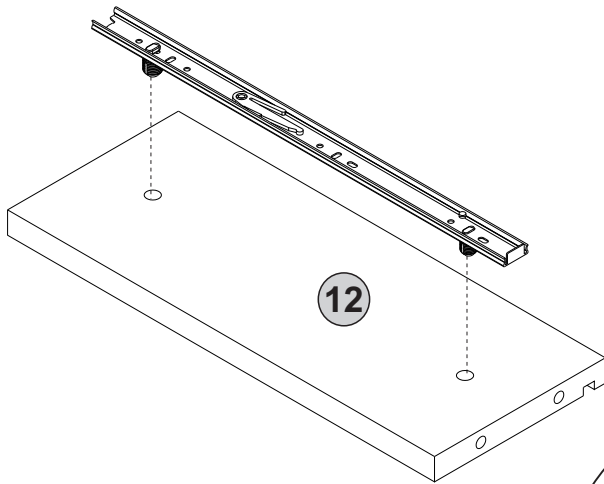
1 x6



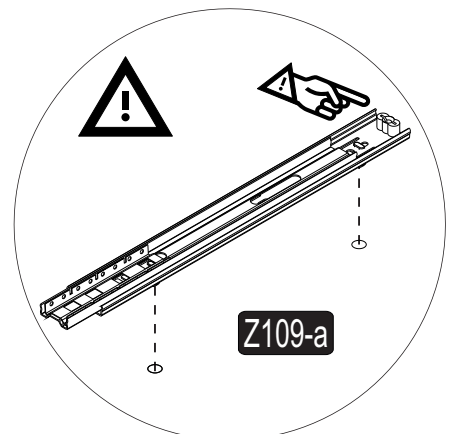
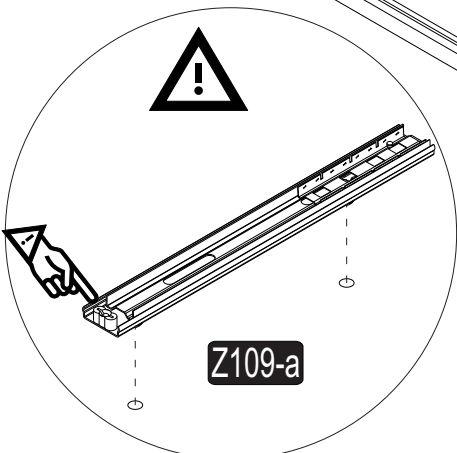
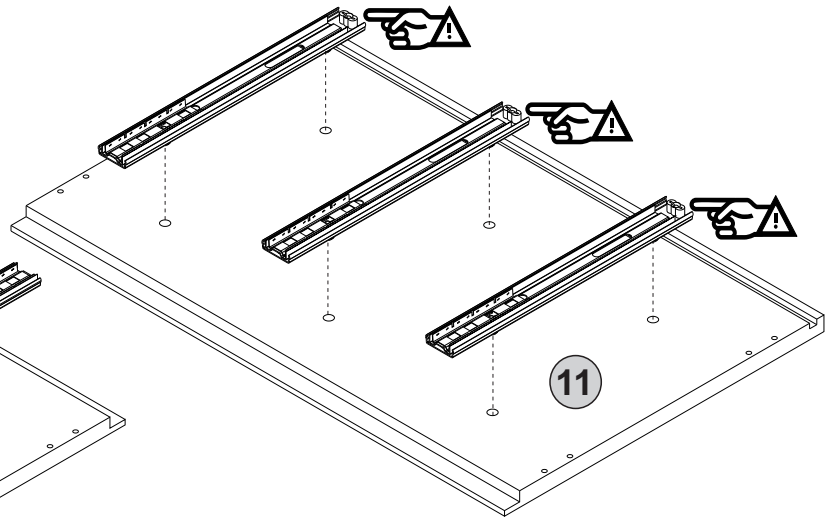
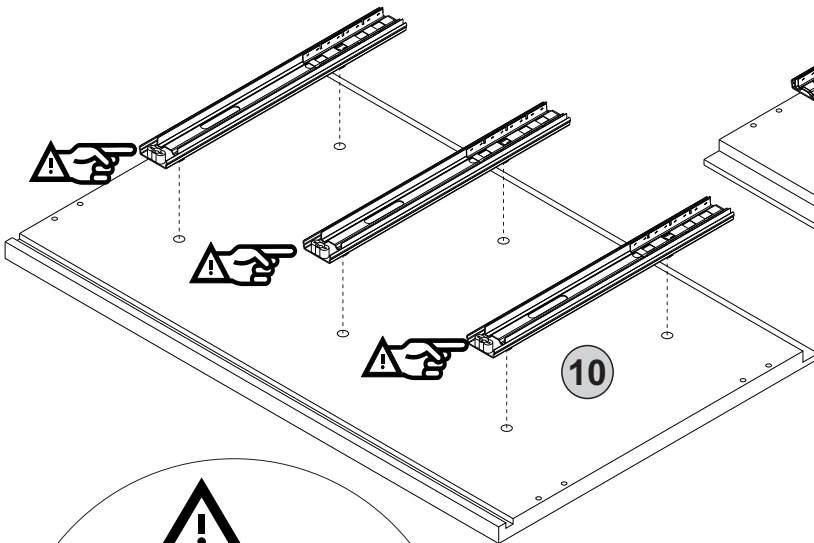
2 x6



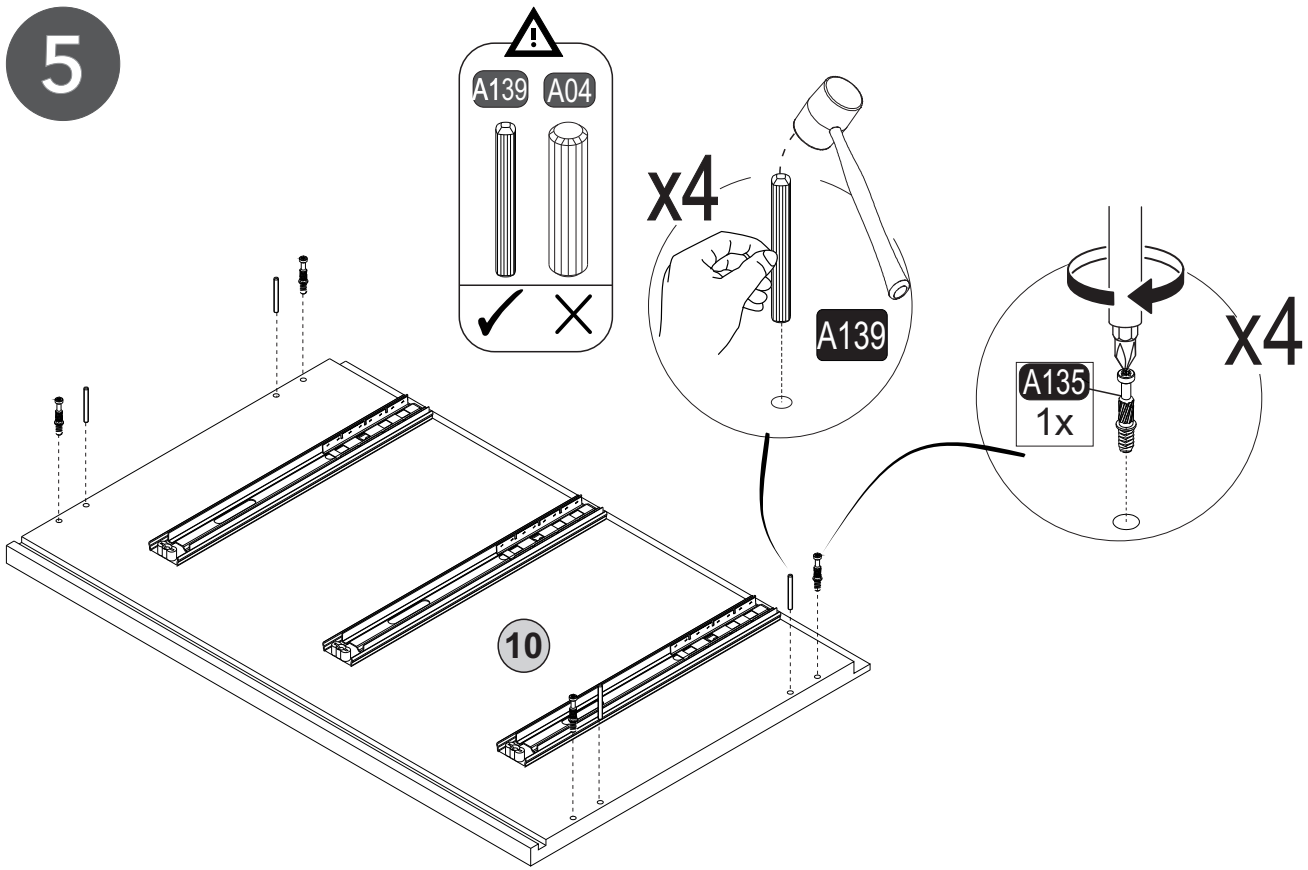
3 x3



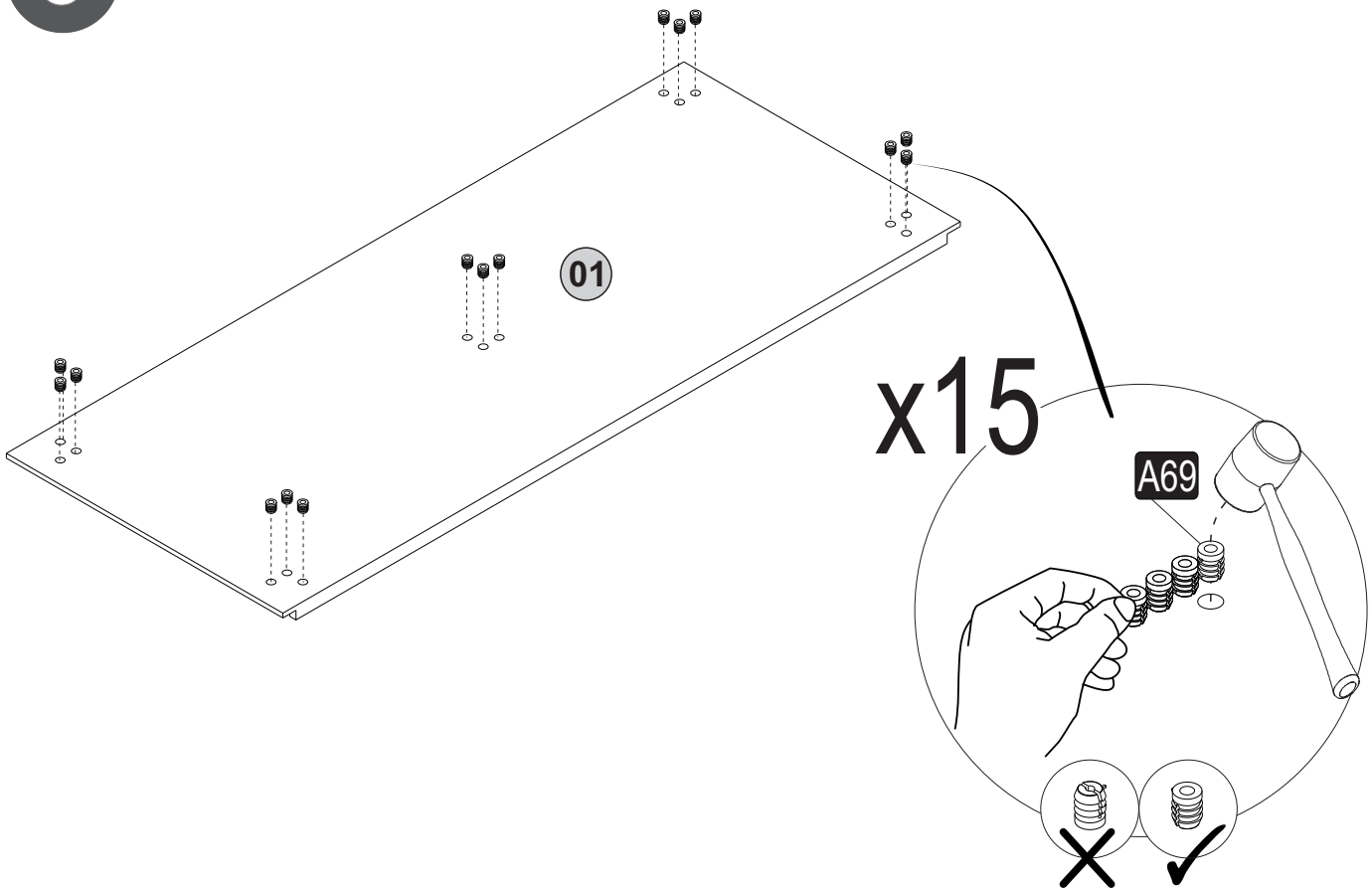
4



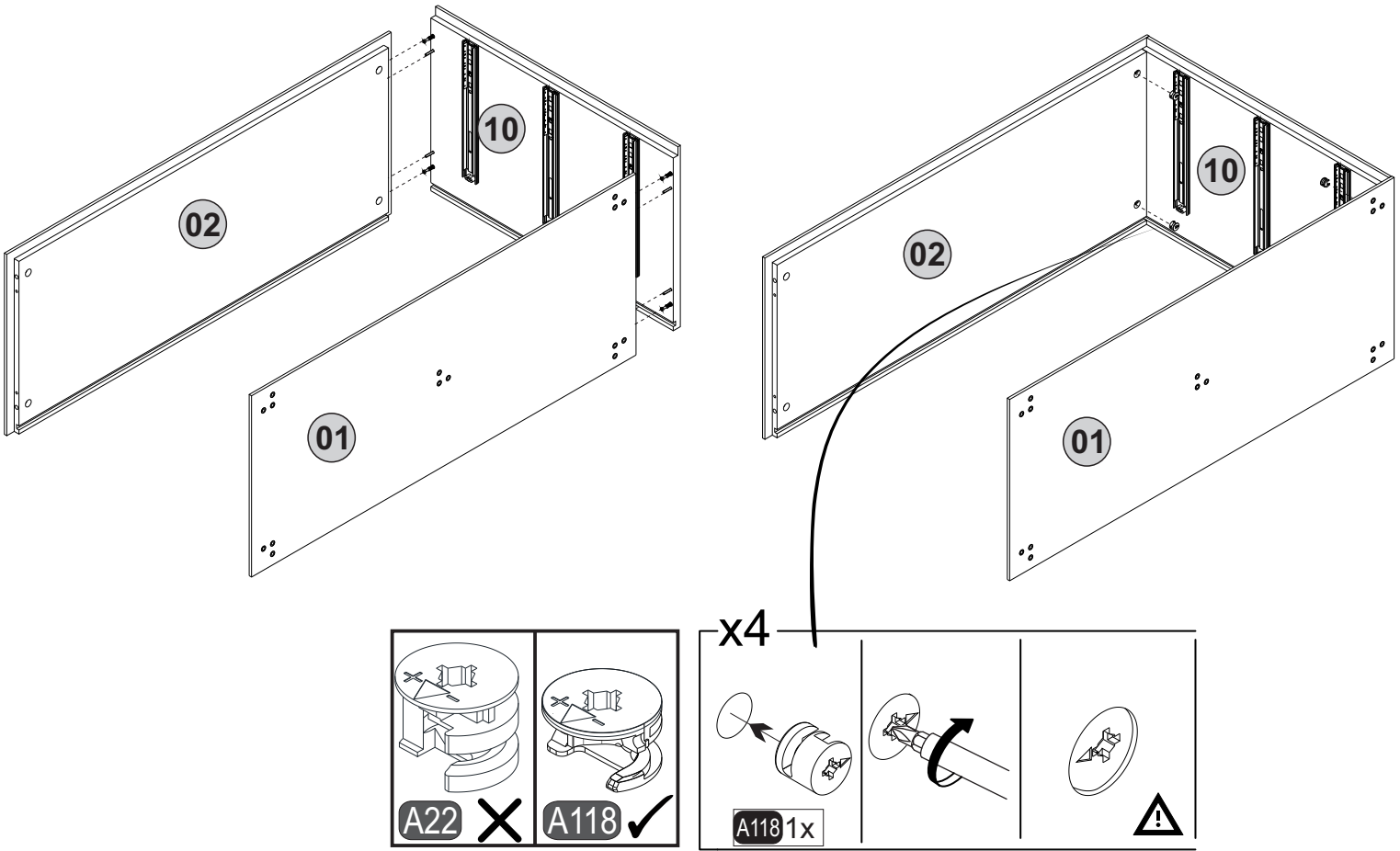
5



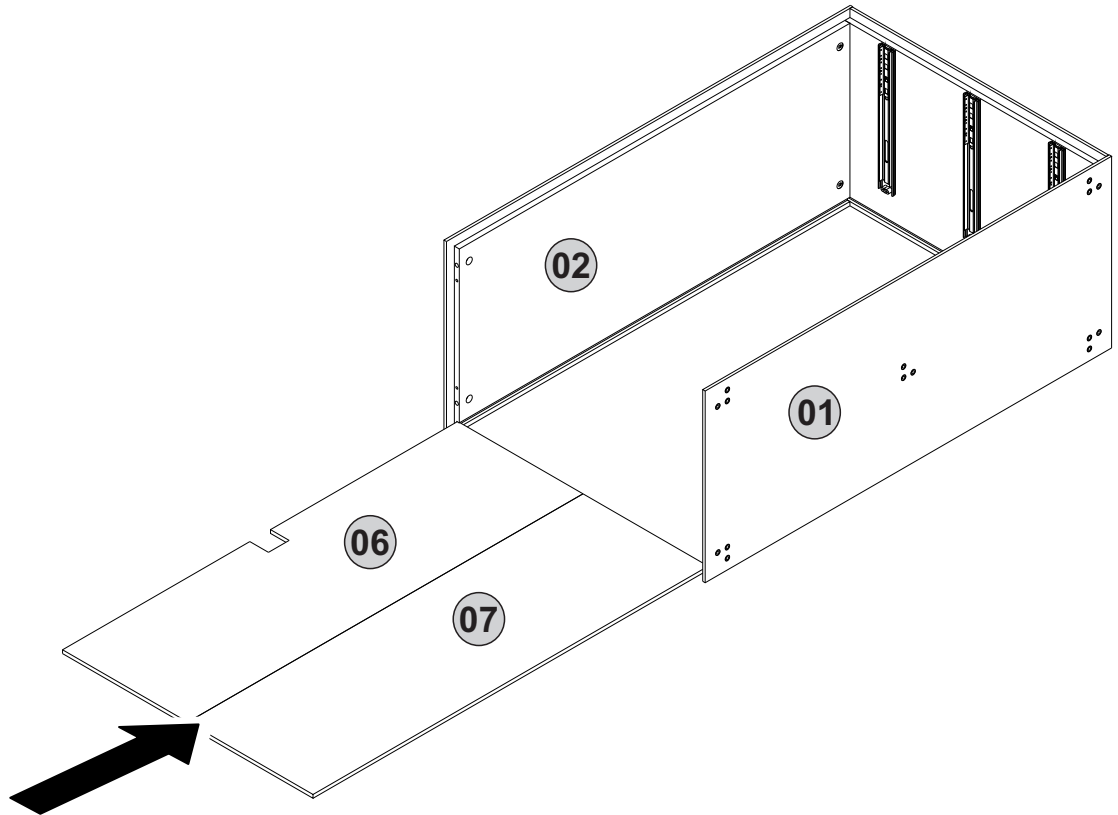
6



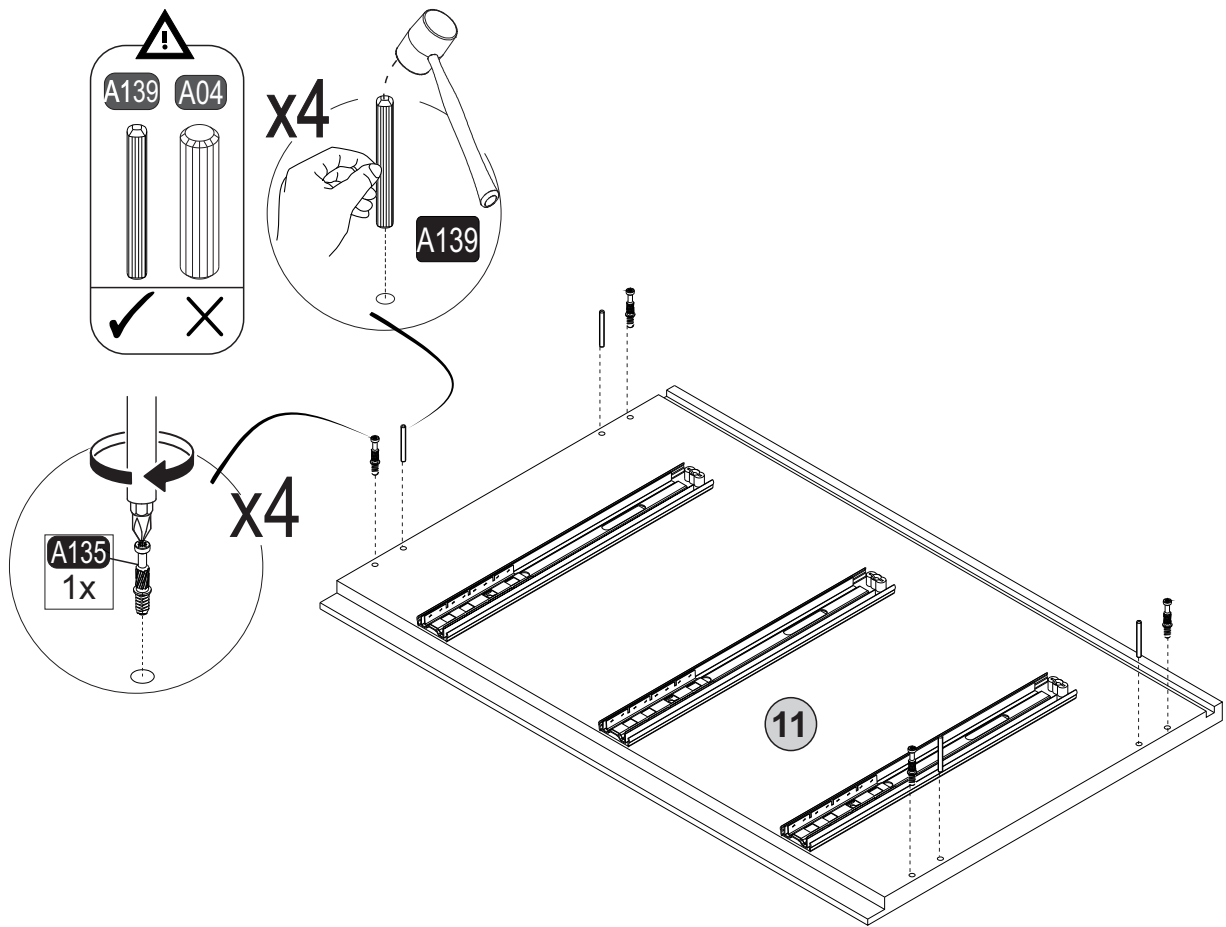
7



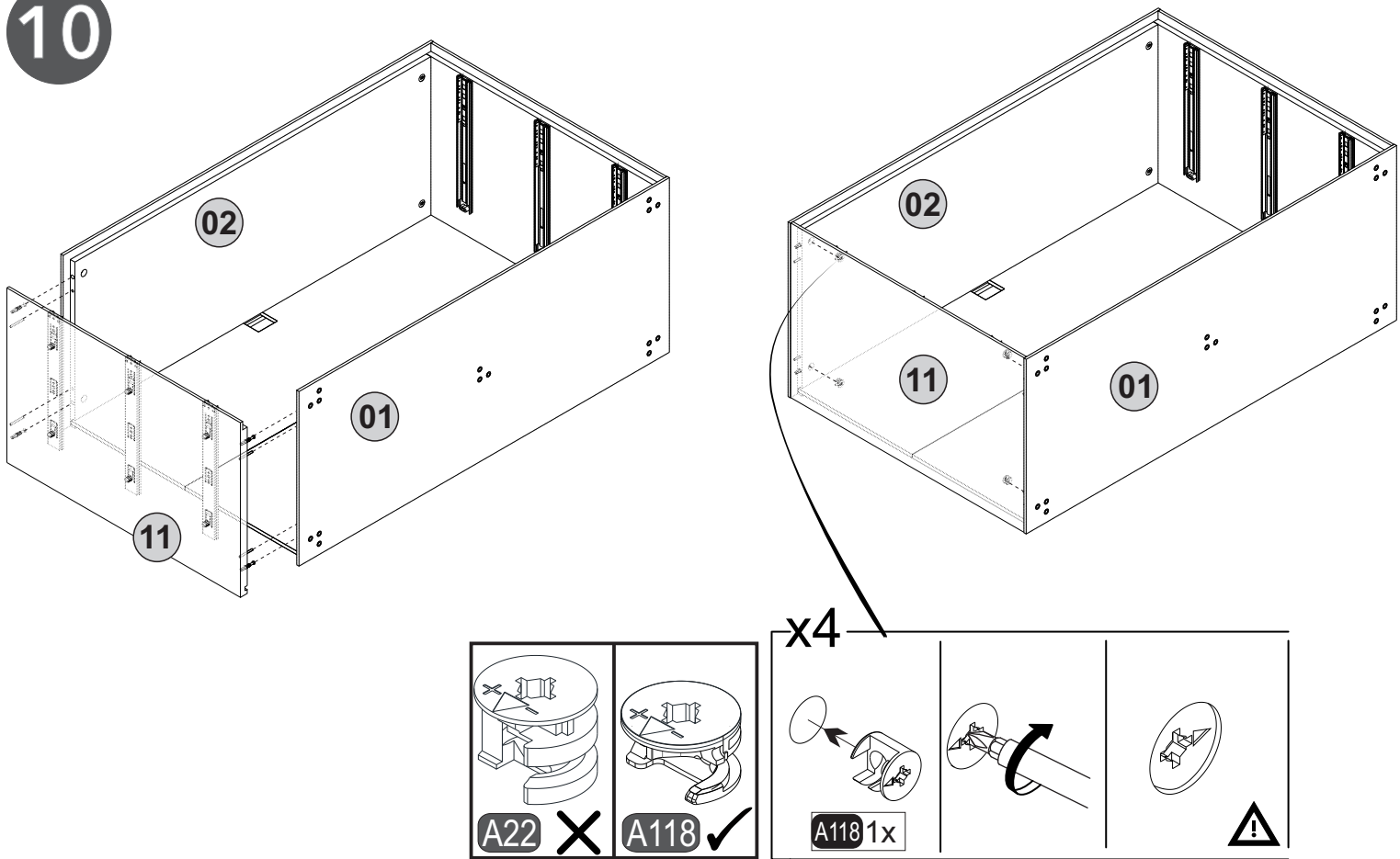
8



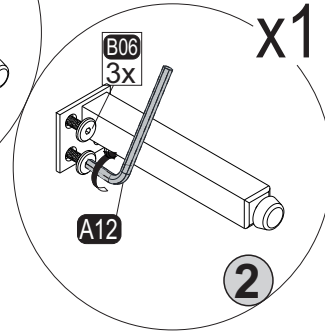
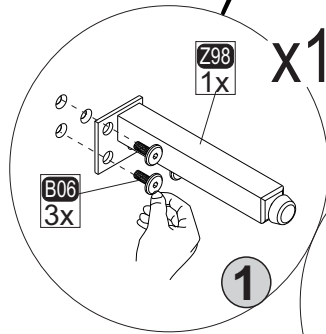
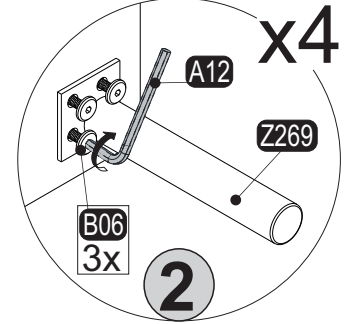
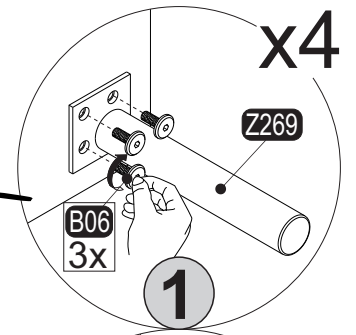
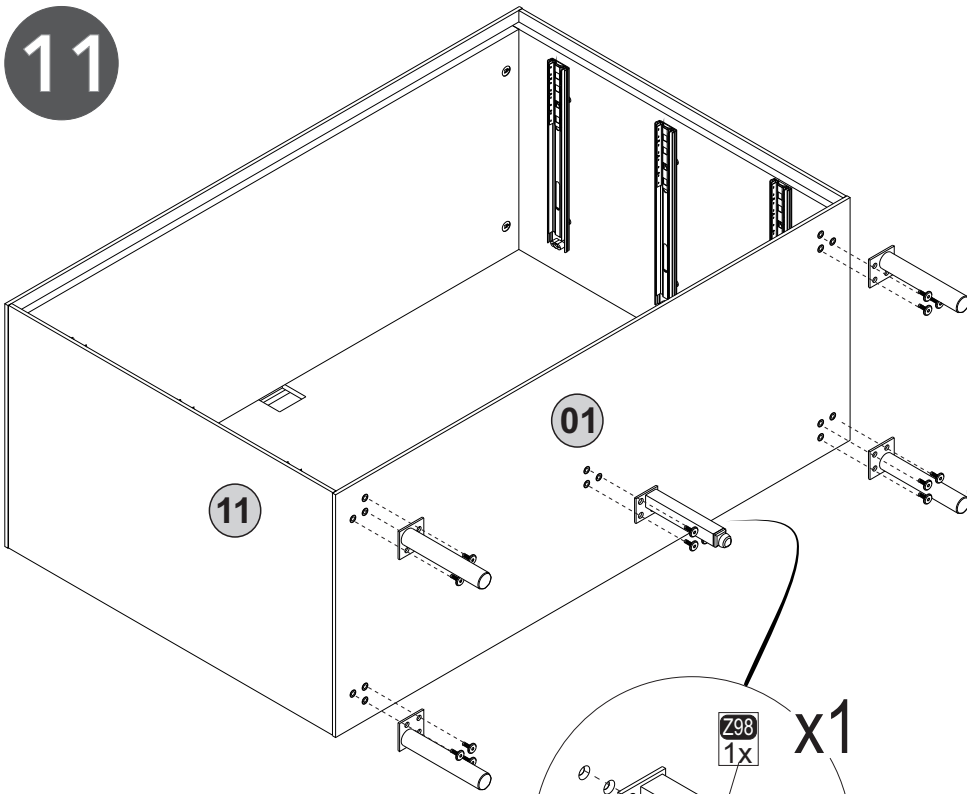
9



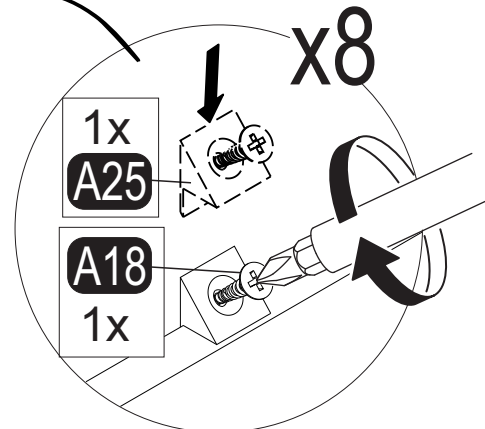
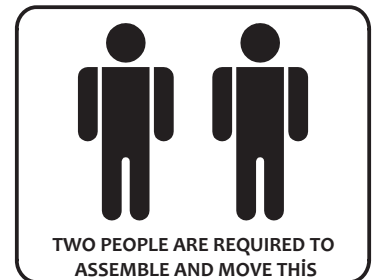
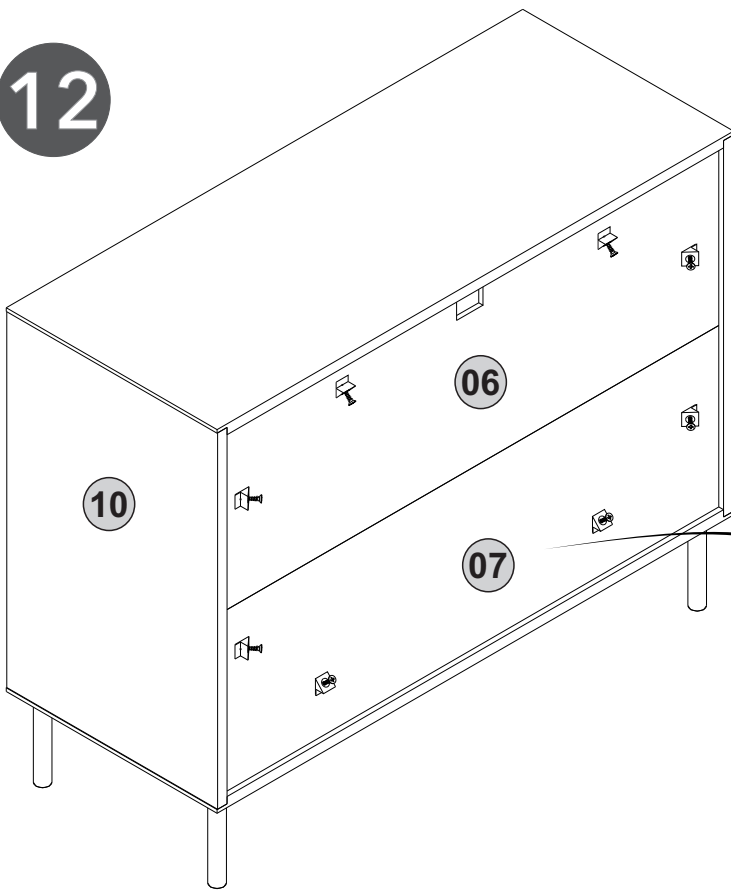
10

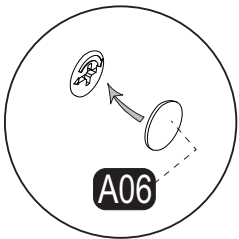
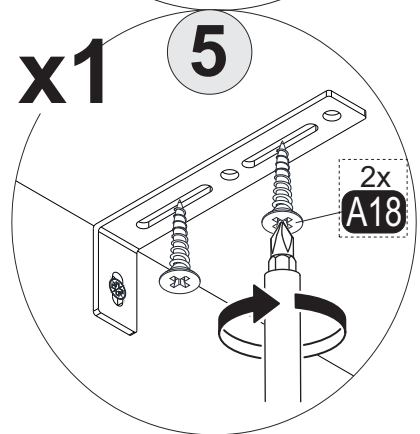
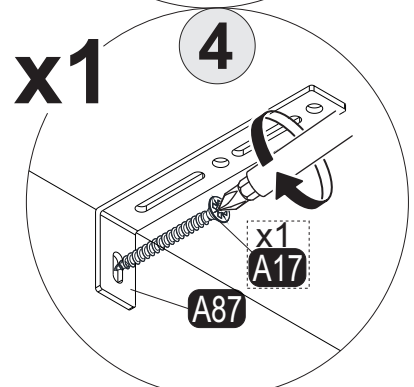
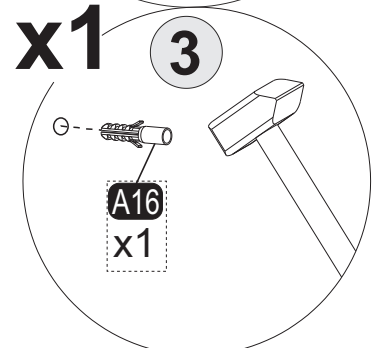
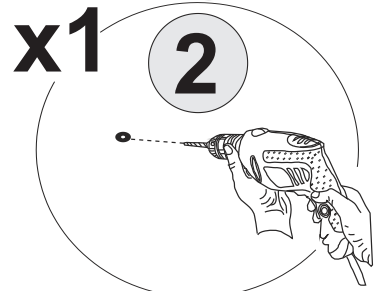
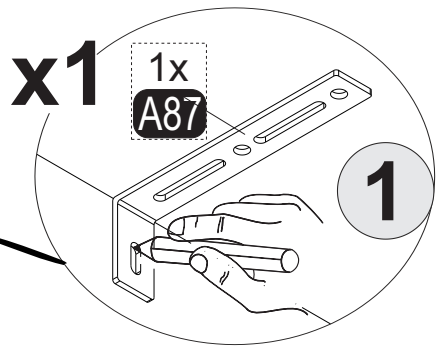
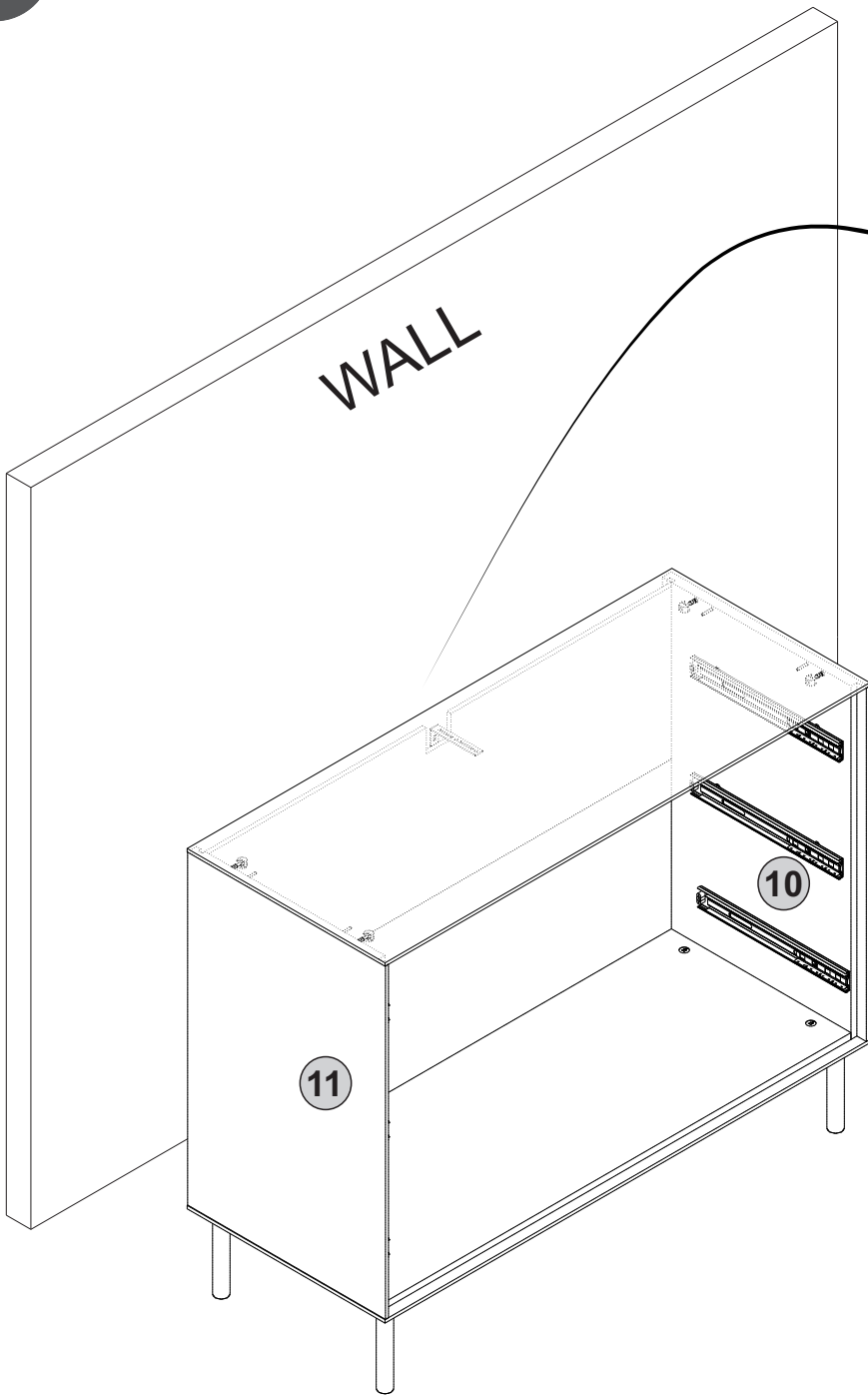


11

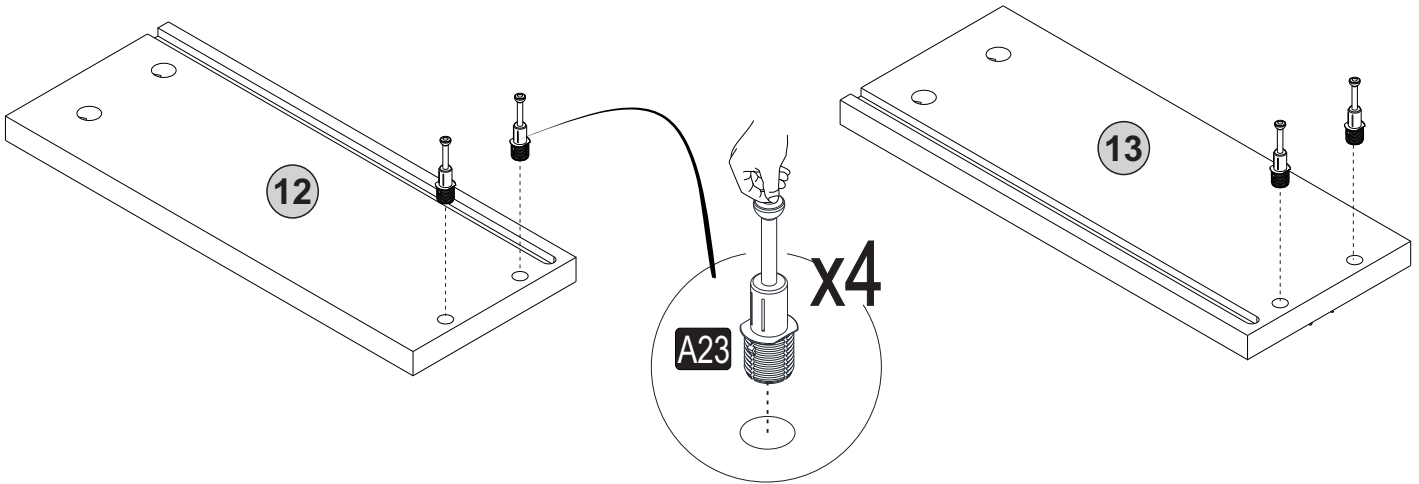


12

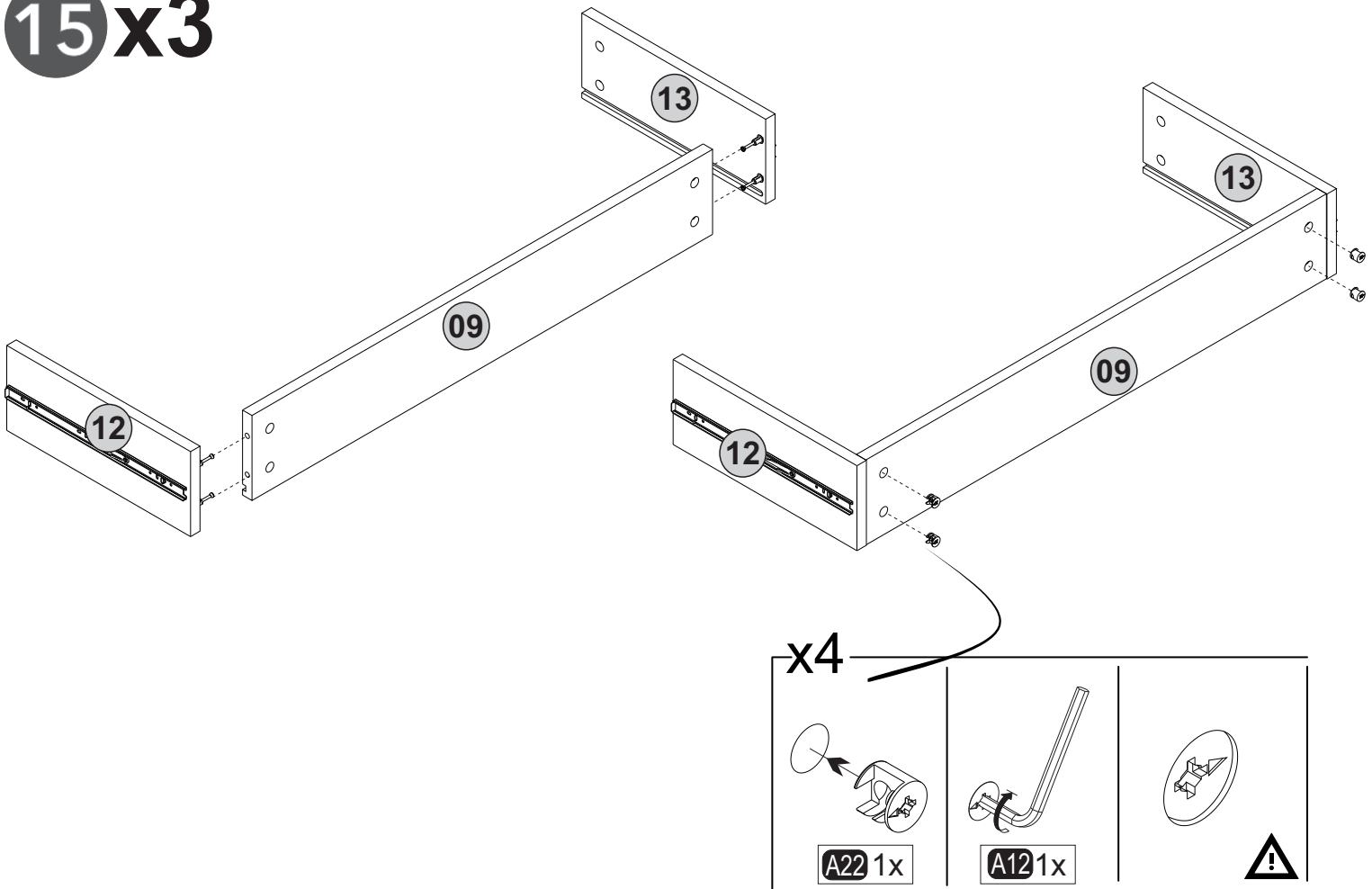




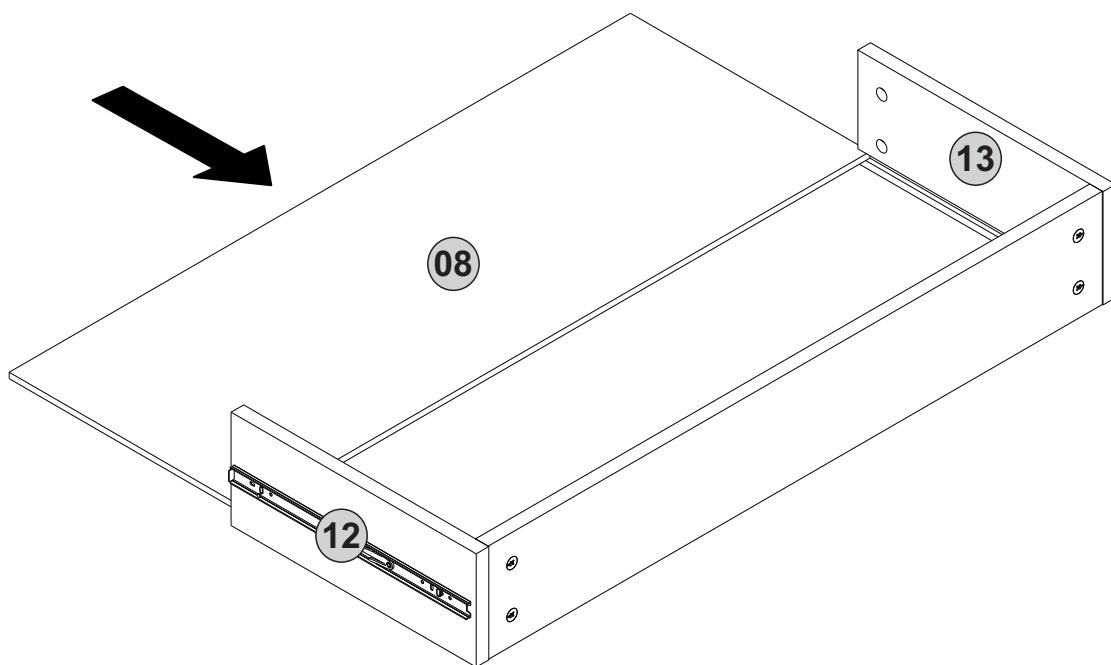
14 x 3



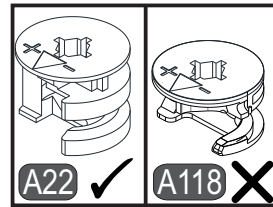
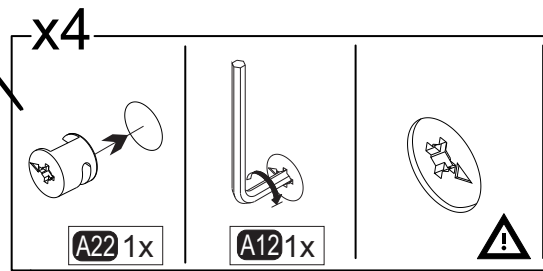
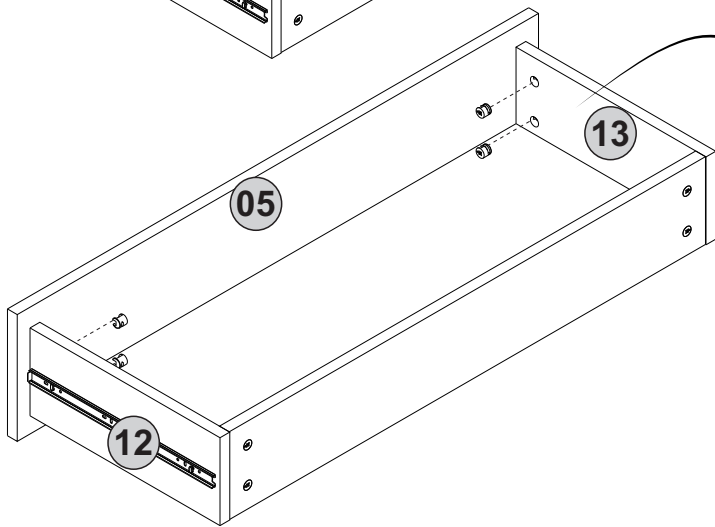
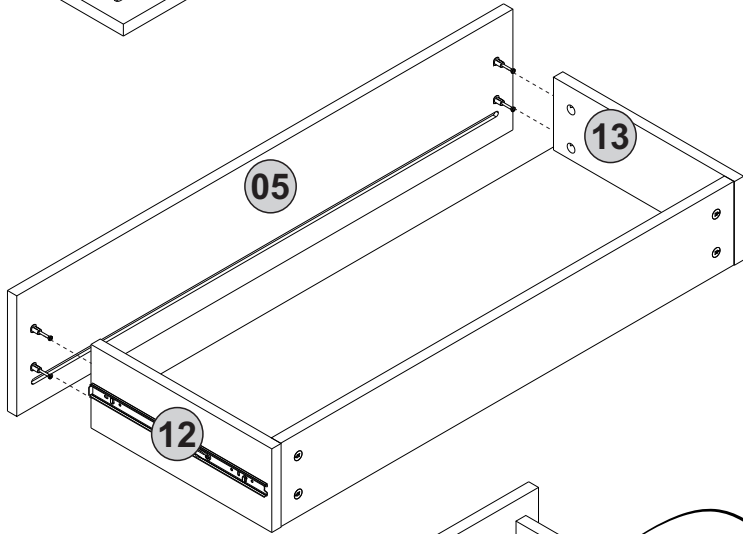
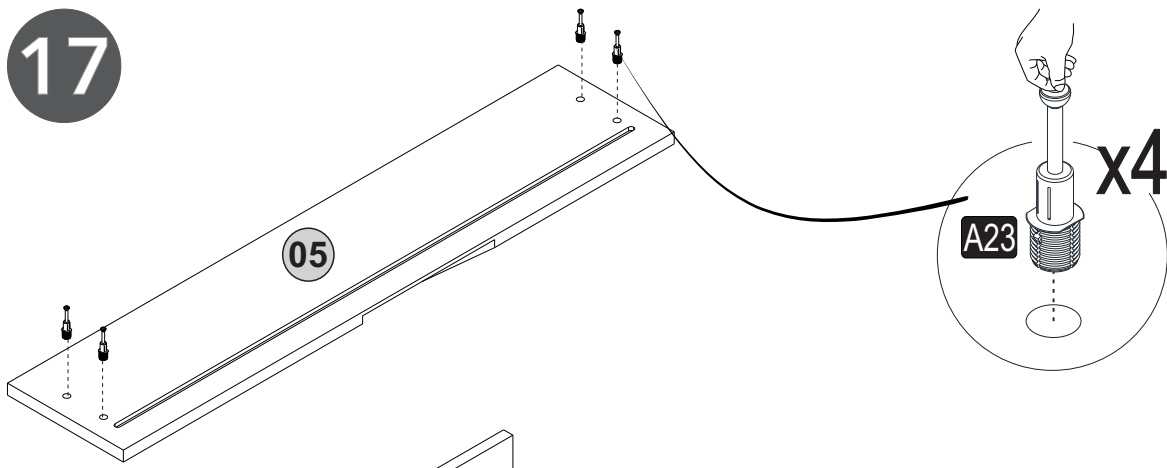
15 x 3



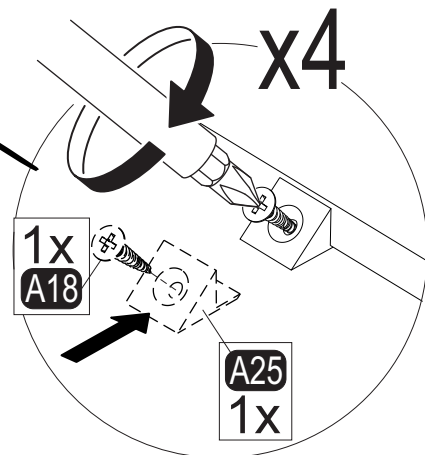
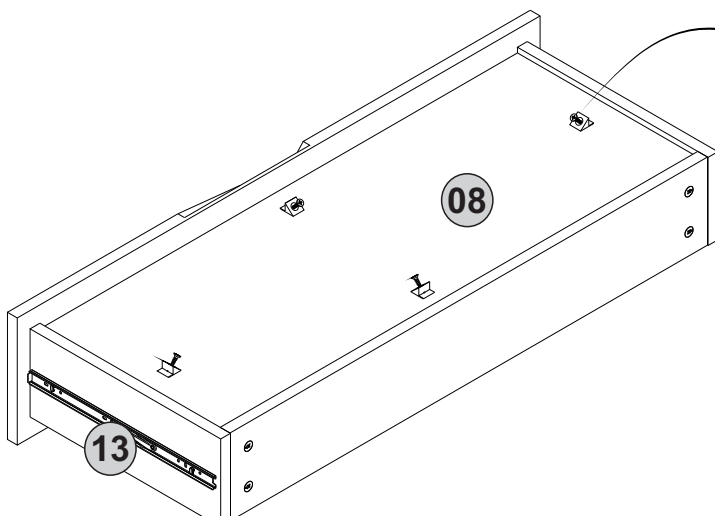
16x3



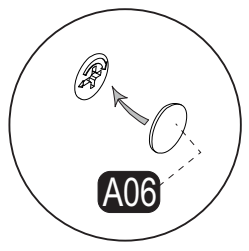
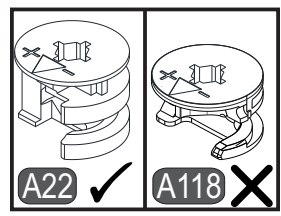
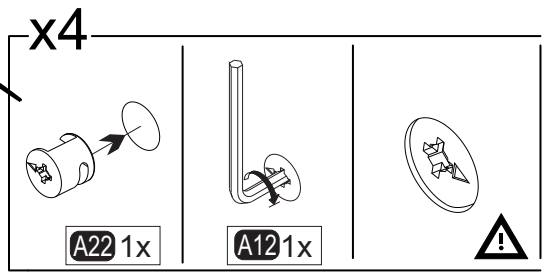
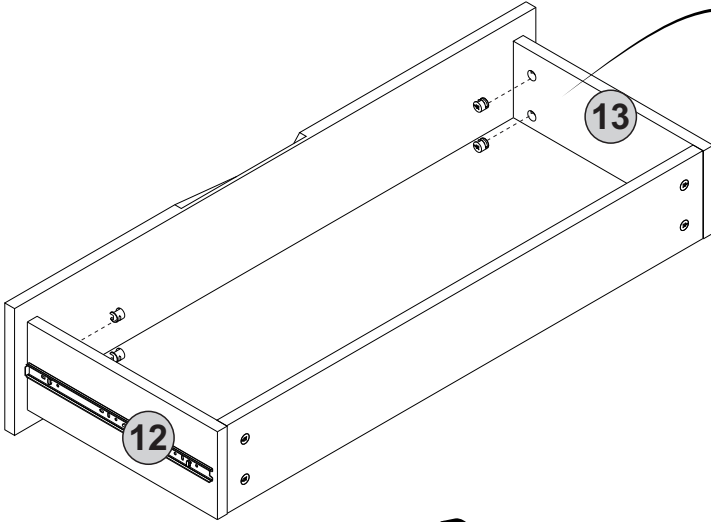
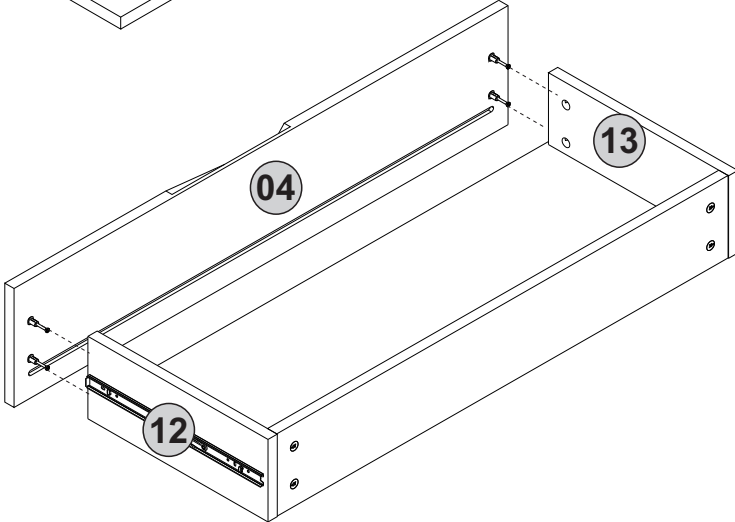
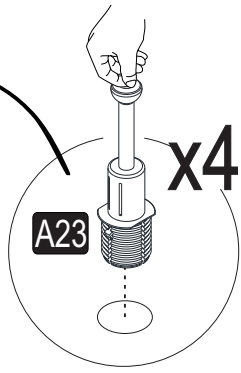
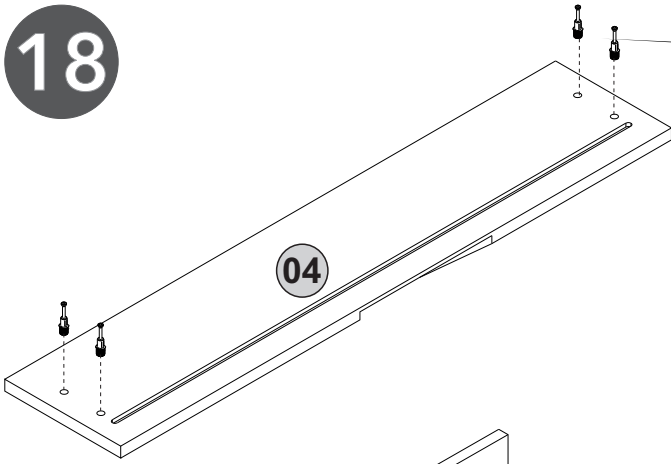
17



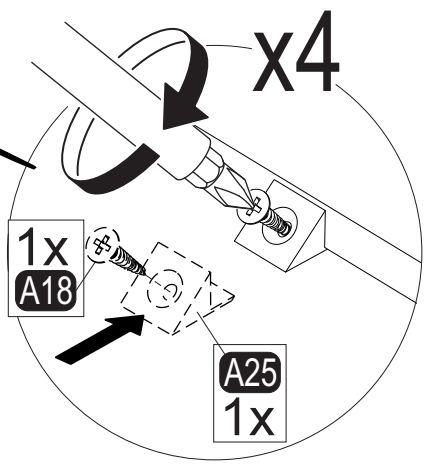
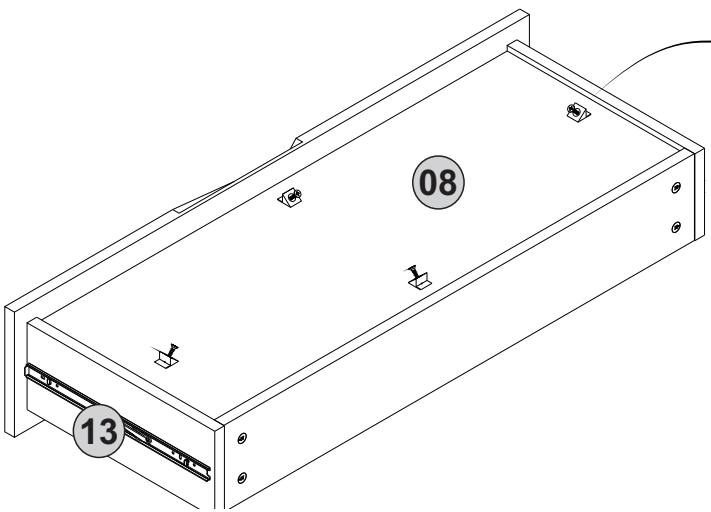
180°



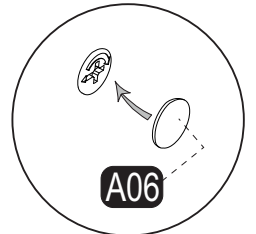
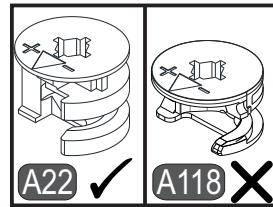
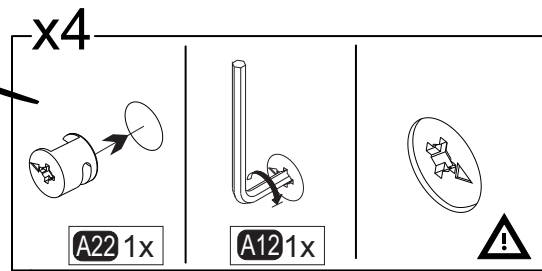
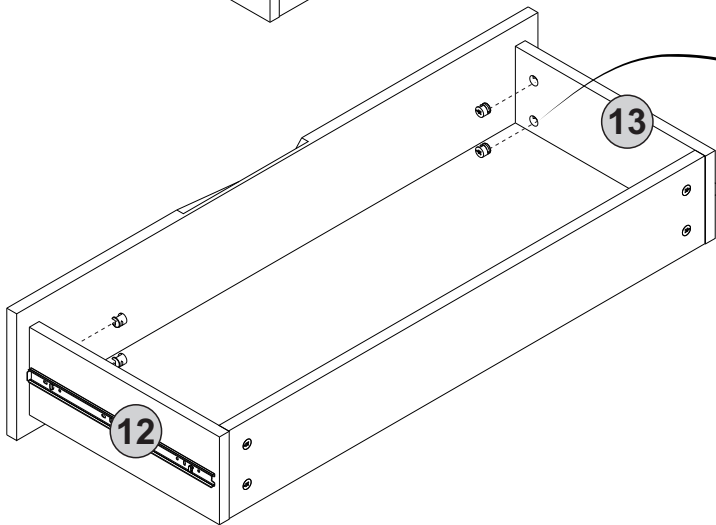
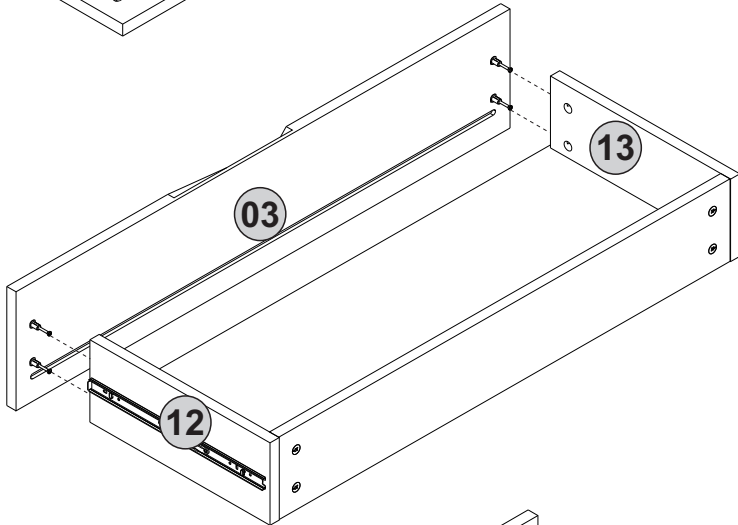
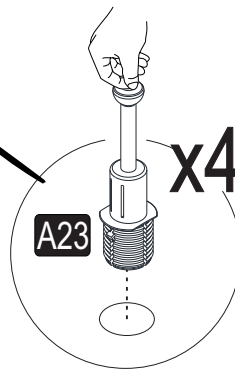
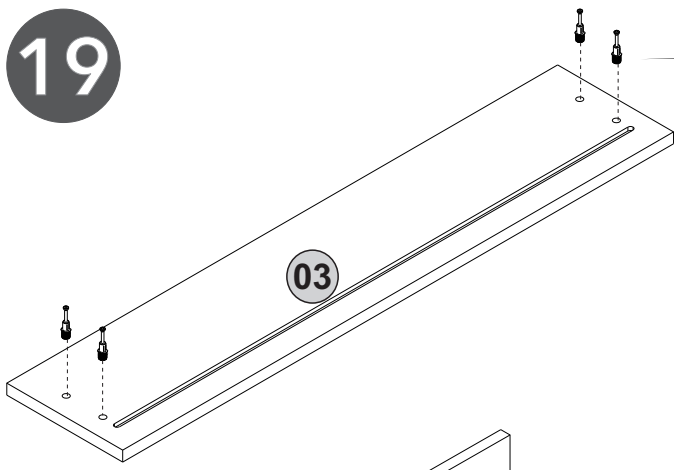
18



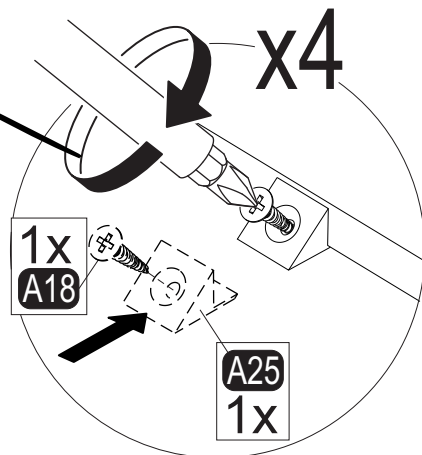
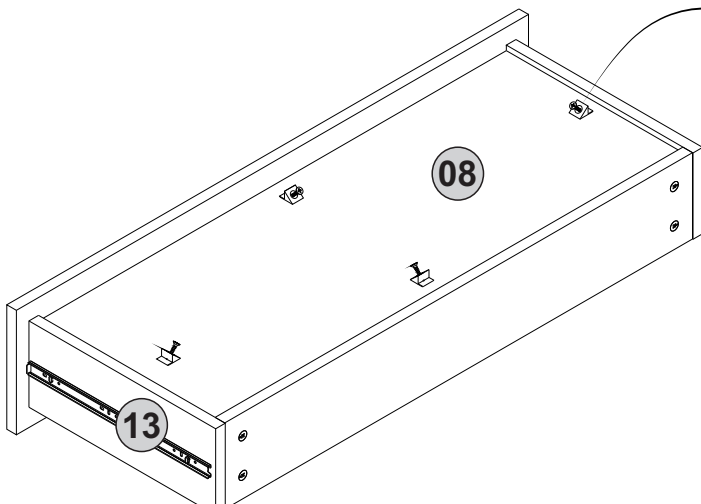
180°



19



180°



20

