

GP041-0004,1



PKG1

- A**
- R2
2X
- R1
2X
- C2
2X
- C1
2X
- C4
2X

PKG2

- A1
1X
- A3
1X
- B1
2X
- 105
2X

PKG3

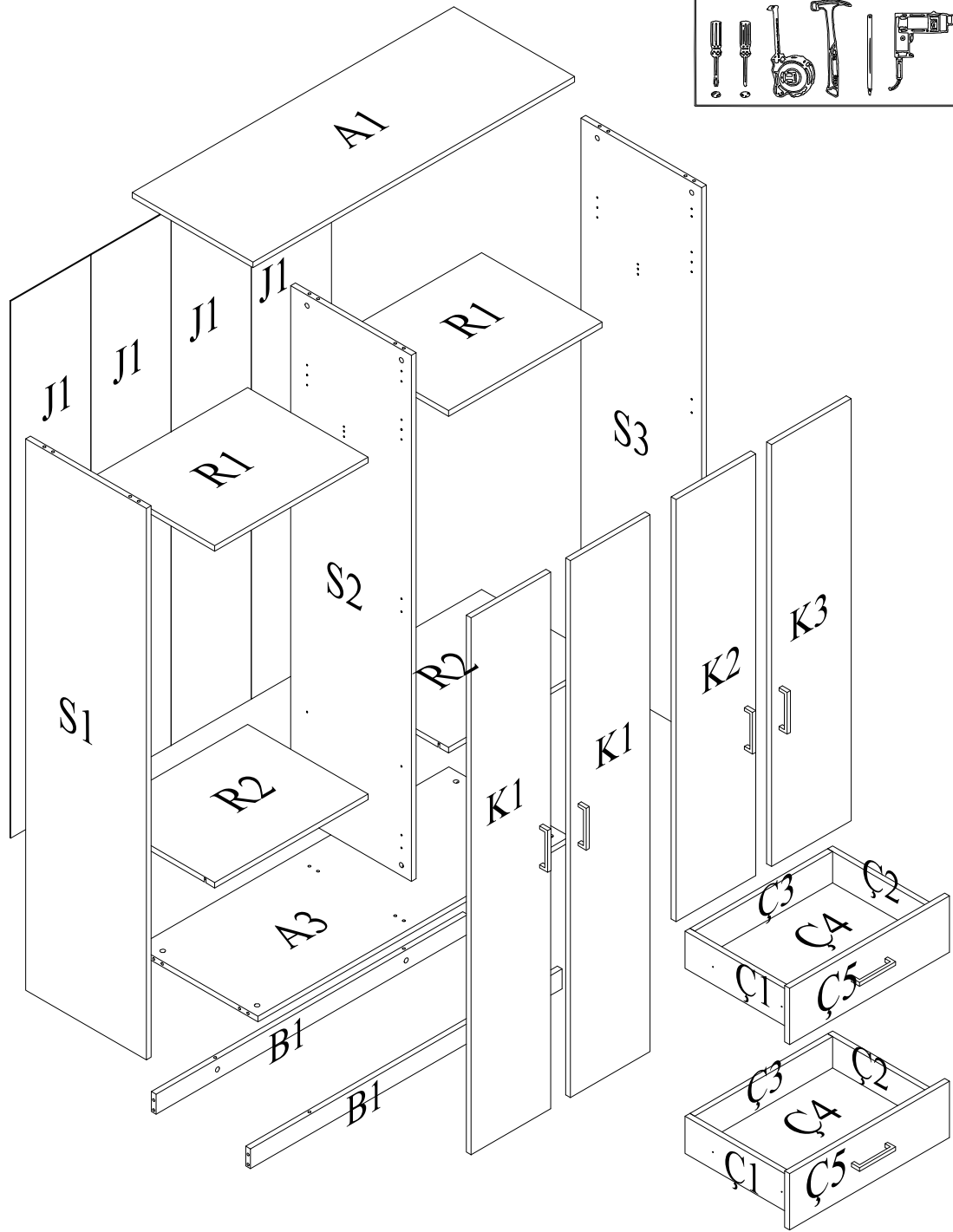
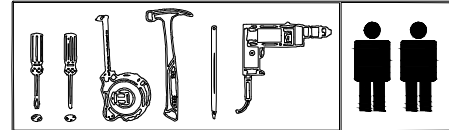
- S1
1X
- S2
1X
- S3
1X

PKG4

- K1
2X
- J1
4X

PKG5

- K2
1X
- K3
1X
- C5
2X
- C3
2X



ACCESSORY NO:100
MINIFIX BODY

28 PCS

ACCESSORY NO:101
MINIFIX SPINDLE

28 PCS

ACCESSORY NO:102
Ø8 x 34 PLASTIC DOWEL

32 PCS

ACCESSORY NO:103
MINIFIX TAP

18 PCS

ACCESSORY NO:111
RAFFIX BODY

08 PCS

ACCESSORY NO:V109
RAFFIX SHAFT
Ø6x7,5 MM

08 PCS

ACCESSORY NO:M200
HINGE
HINGE COUNTERPARTS

04 PCS

ACCESSORY NO:M201
HALF OVERLAY HINGE
HINGE COUNTERPARTS

04 PCS

ACCESSORY NO:V104
CHIPBOARD SCREW
3,5x18 MM

16 PCS

ACCESSORY NO:V105
HANDLE SCREW
M4x21 MM

12 PCS

ACCESSORY NO:K106
CORNER HANDLE,
BLACK

06 PCS

ACCESSORY NO:R100
DRAWER RAIL
24x350 MM

04 PCS

ACCESSORY NO:M203
STOPPER HINGE
HINGE COUNTERPARTS

02 PCS

ACCESSORY NO:M204
STOPPER HALF
OVERLAY HINGE
HINGE COUNTERPARTS

02 PCS

ACCESSORY NO:V108
CHIPBOARD SCREW
4x18 MM

59 PCS

ACCESSORY NO:104
HANGER FLANGE

04 PCS

ACCESSORY NO:107
NAIL

28 PCS

ACCESSORY NO:108
Ø5 SHELF PIN

02 PCS

ACCESSORY NO:V107
COUNTERSUNK SCREW
Ø6x7,5 MM

02 PCS

ACCESSORY NO:110
SHELF PIN
METAL BODY

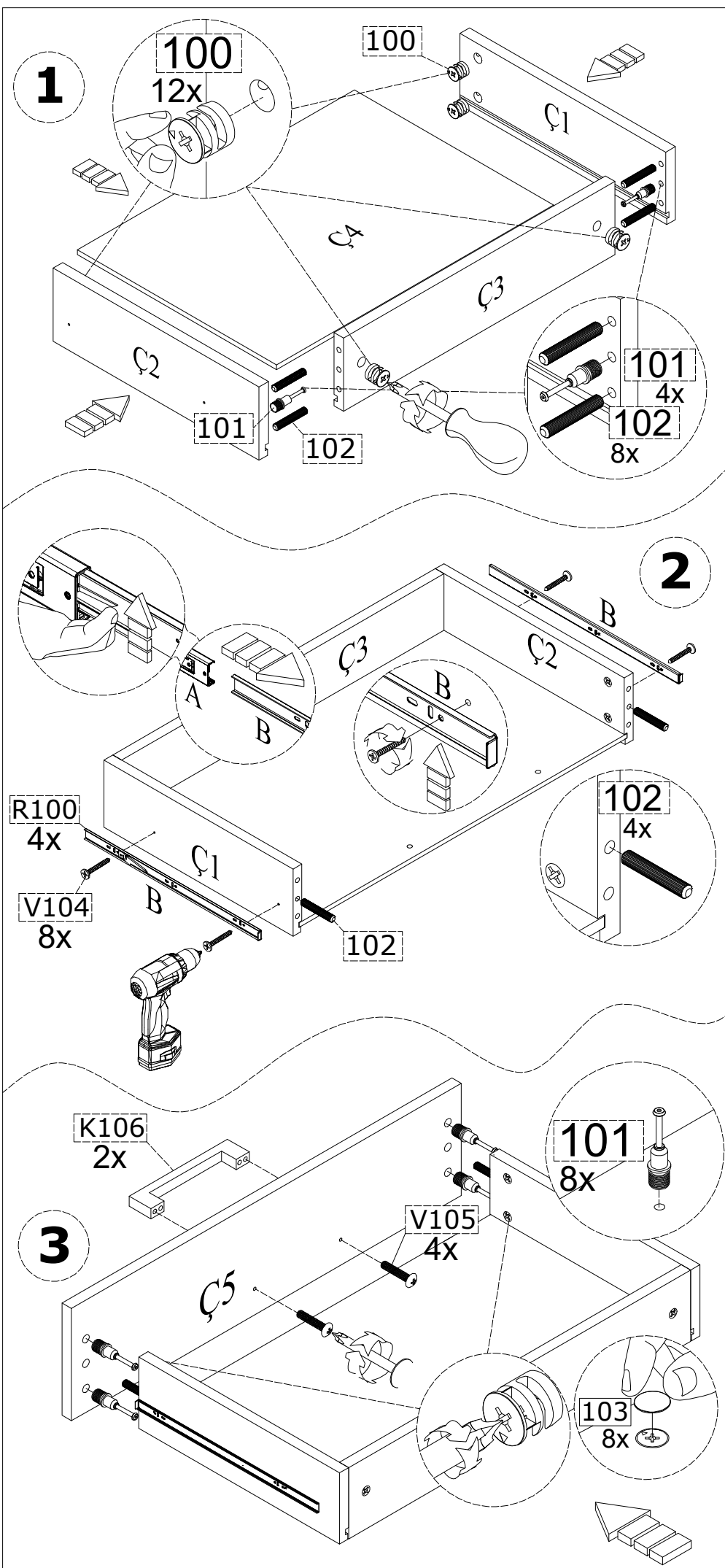
08 PCS

ACCESSORY NO:105
565 MM STRIPED
HANGER PIPE

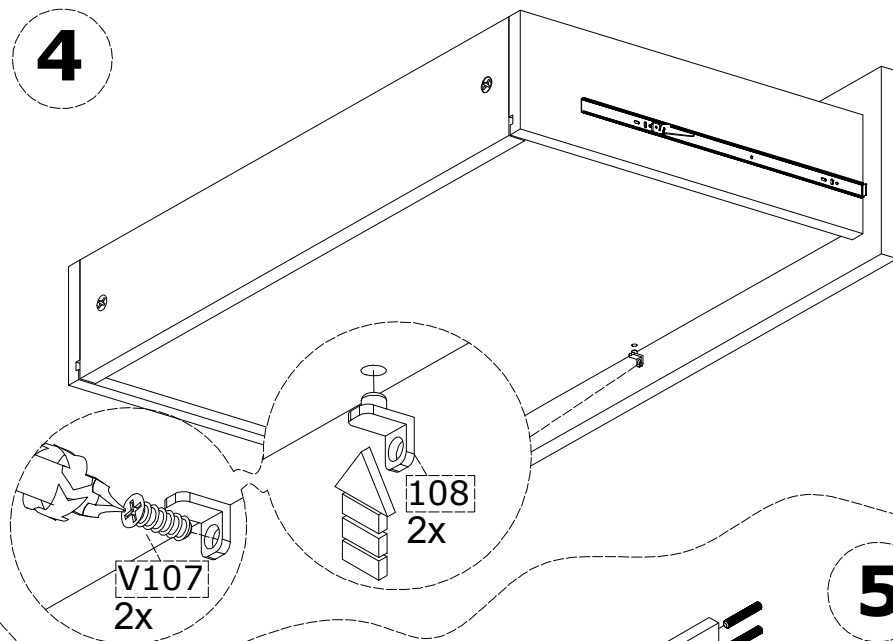
02 PCS

ACCESSORY NO:106
SCREW WASHER

06 PCS



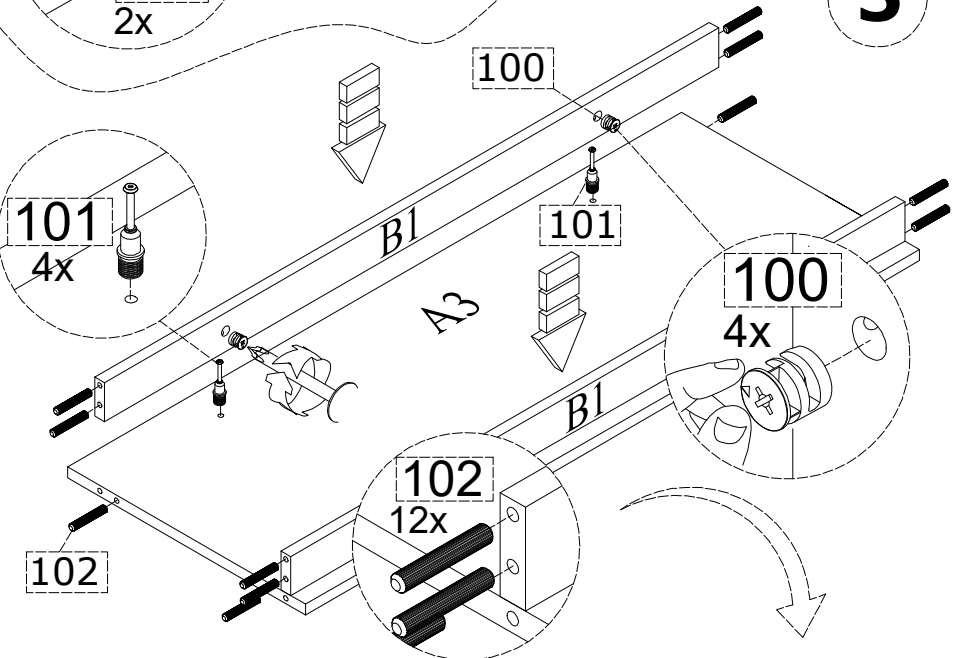
4



V107
2x

108
2x

5



101
4x

100

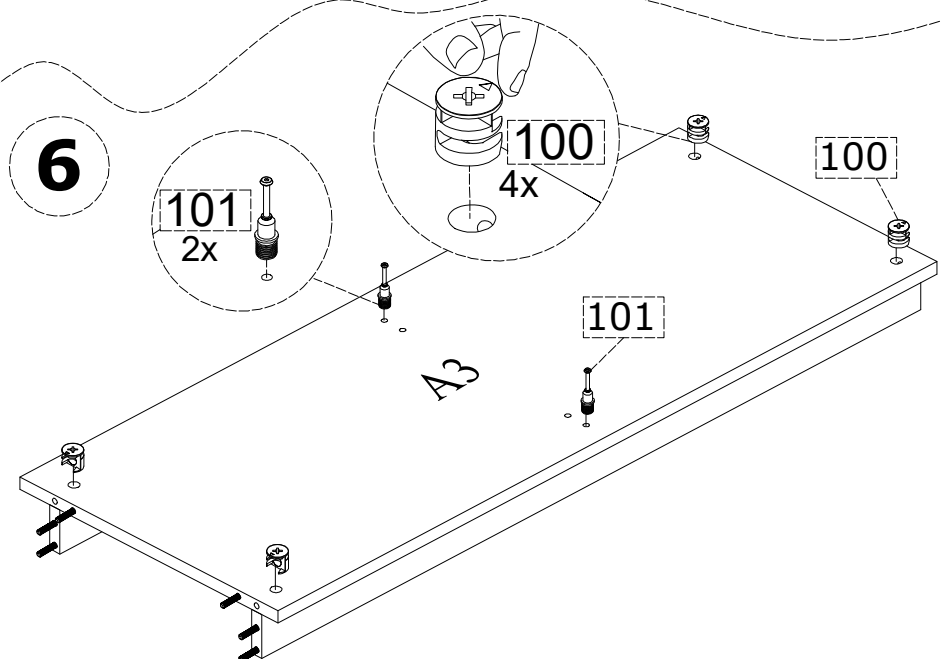
101

100
4x

102
12x

102

6

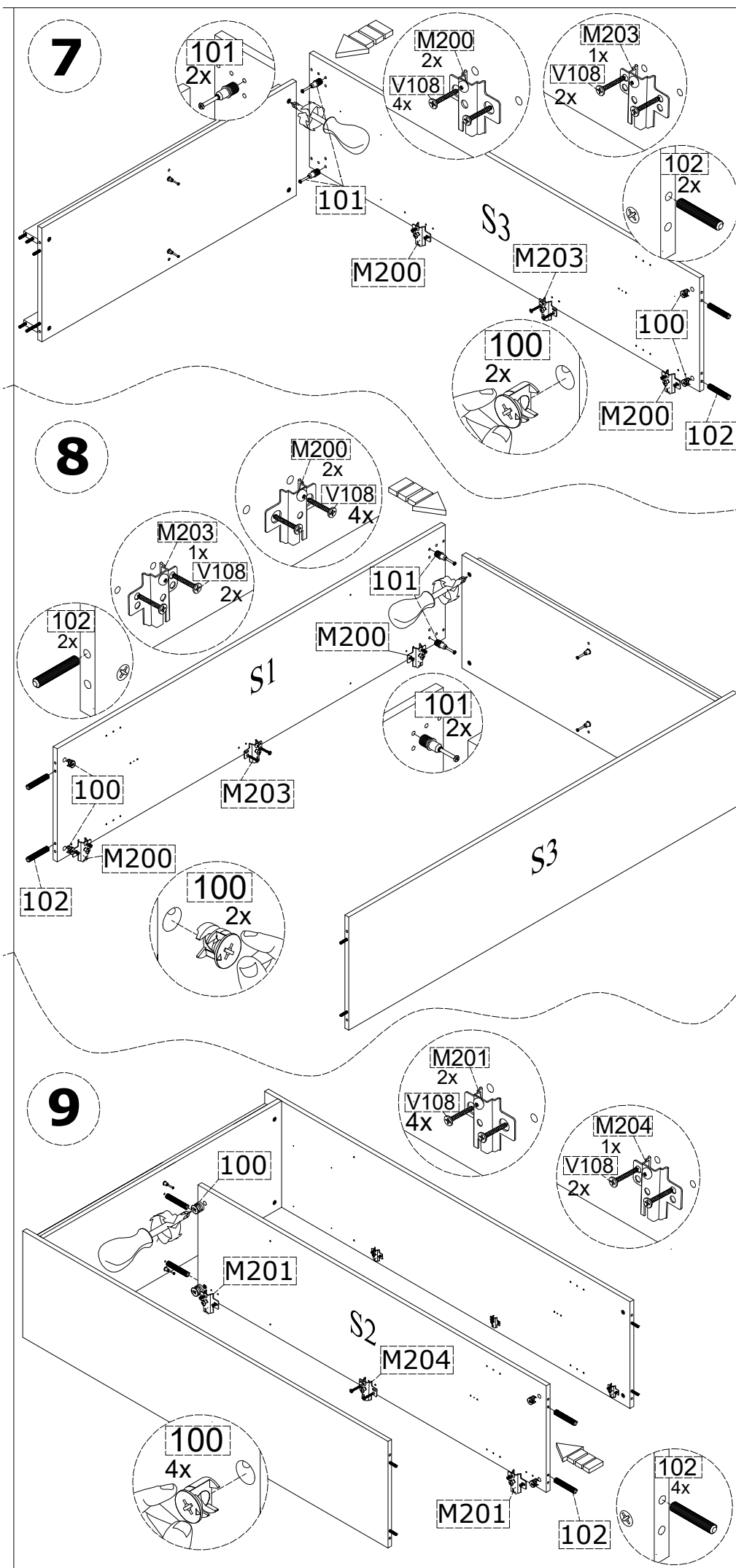


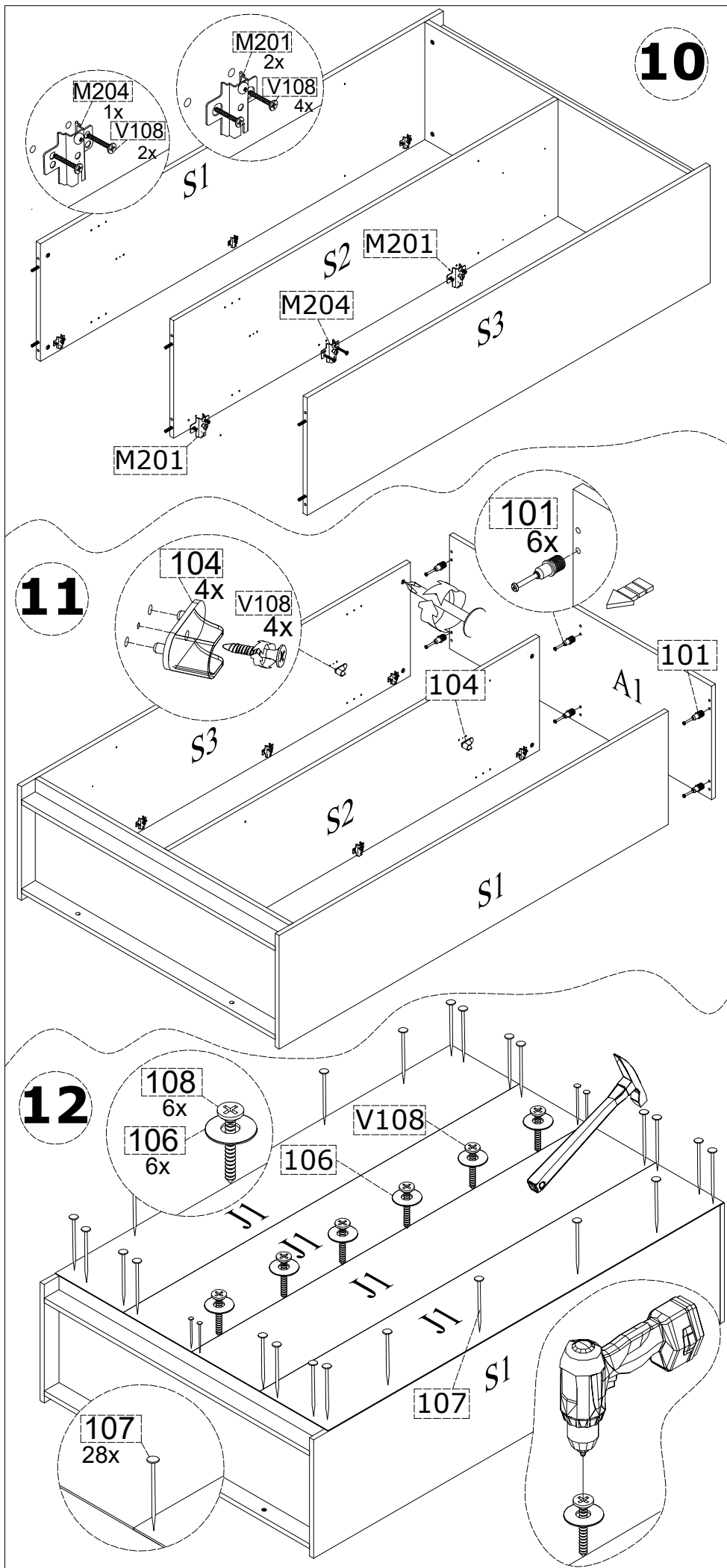
101
2x

100
4x

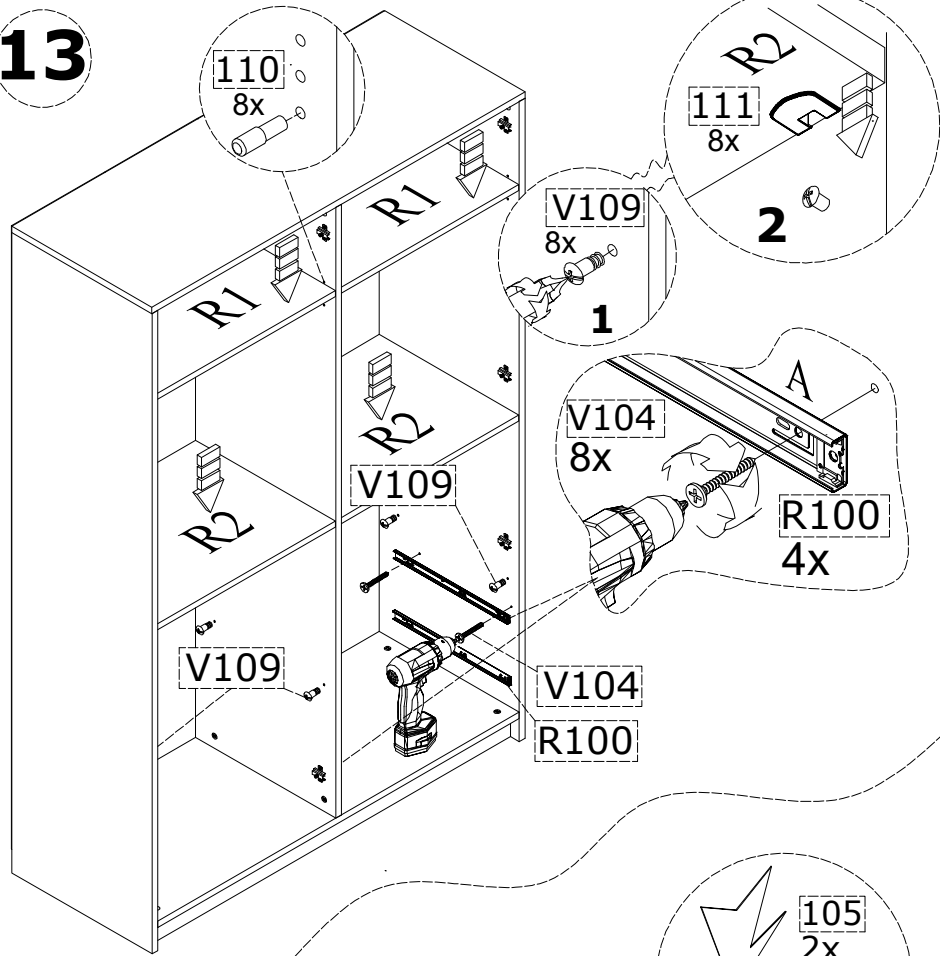
100

101

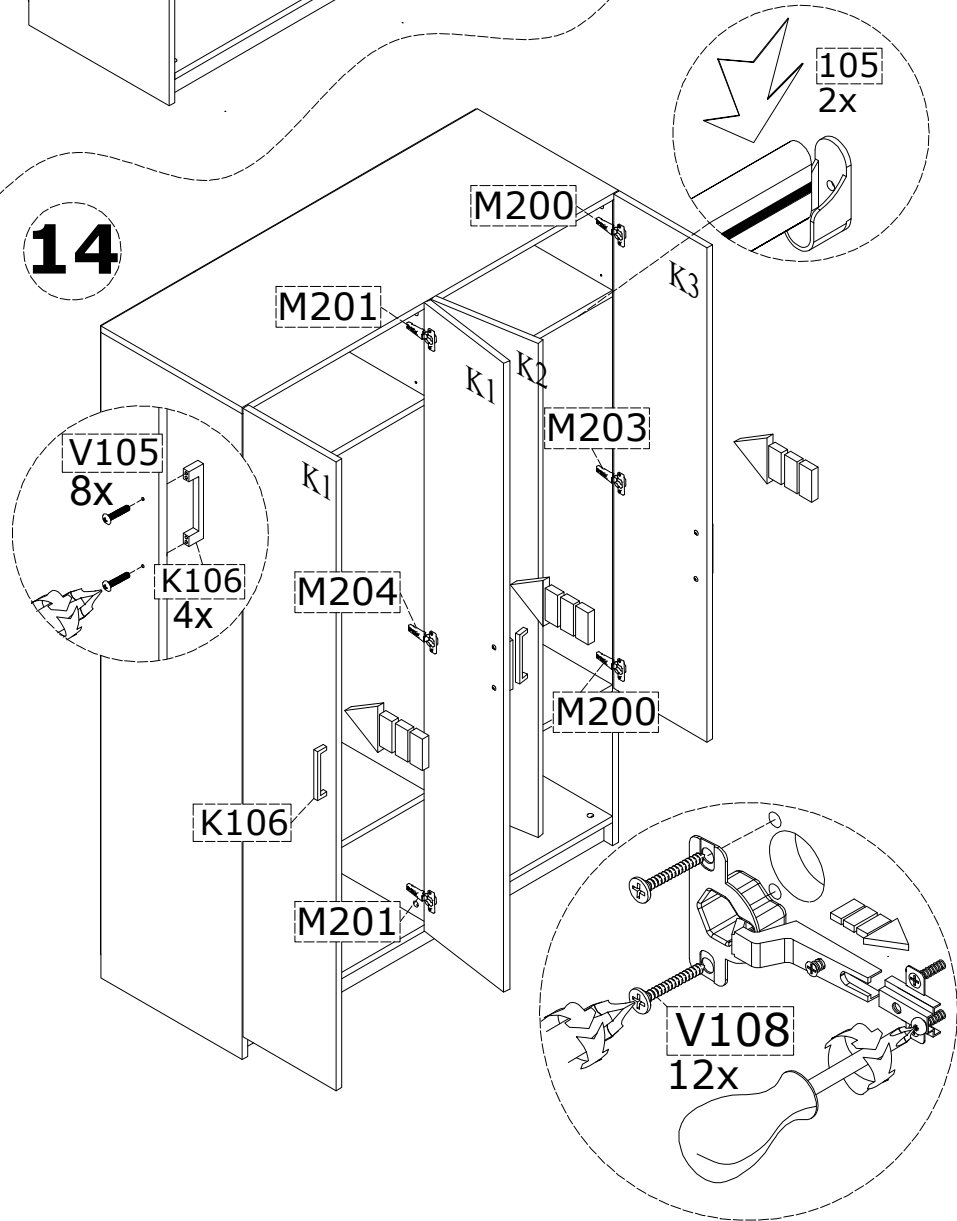




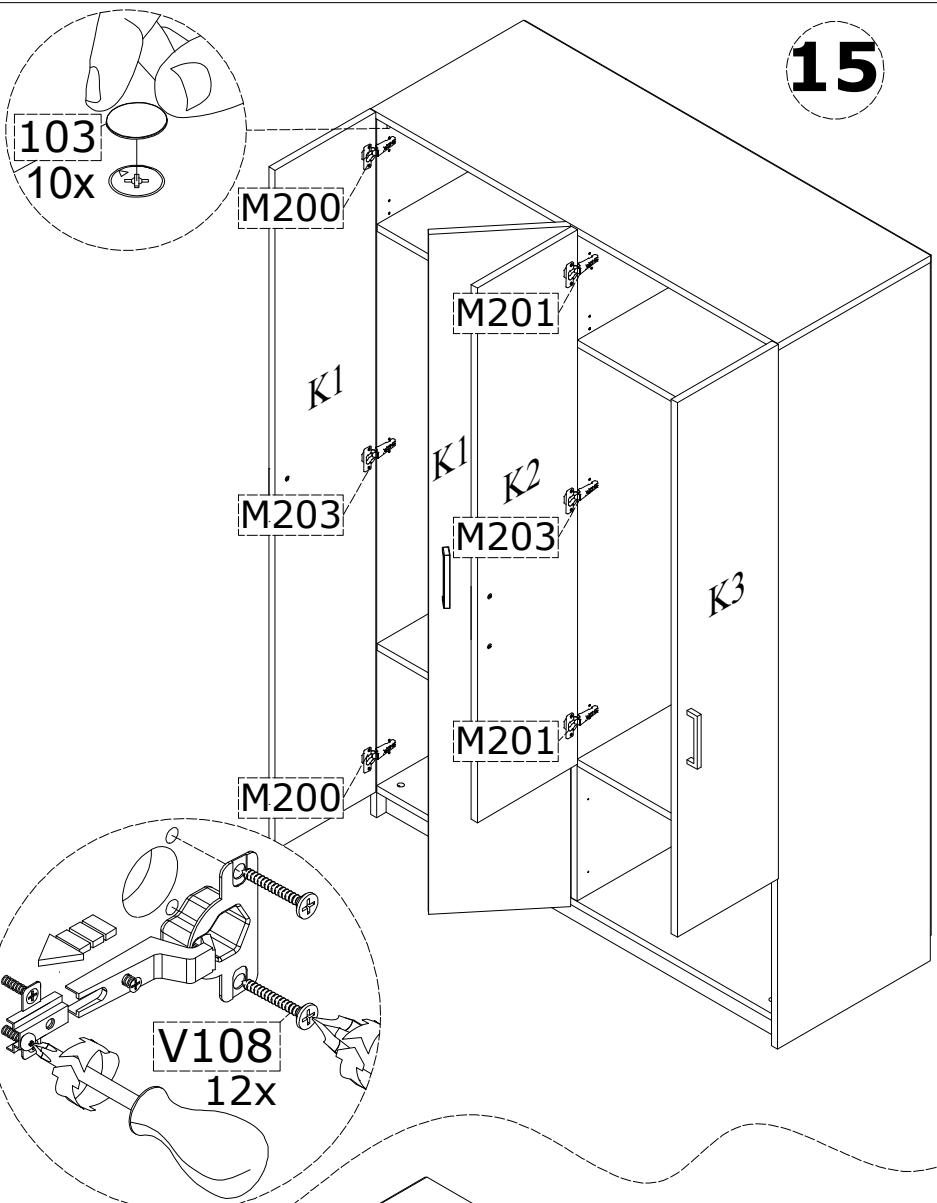
13



14



15



16

