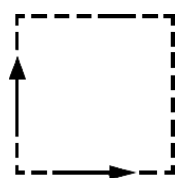
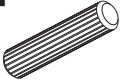



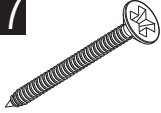


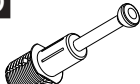
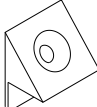
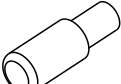




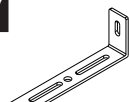

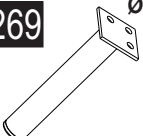

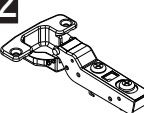
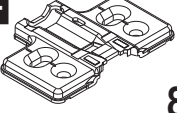


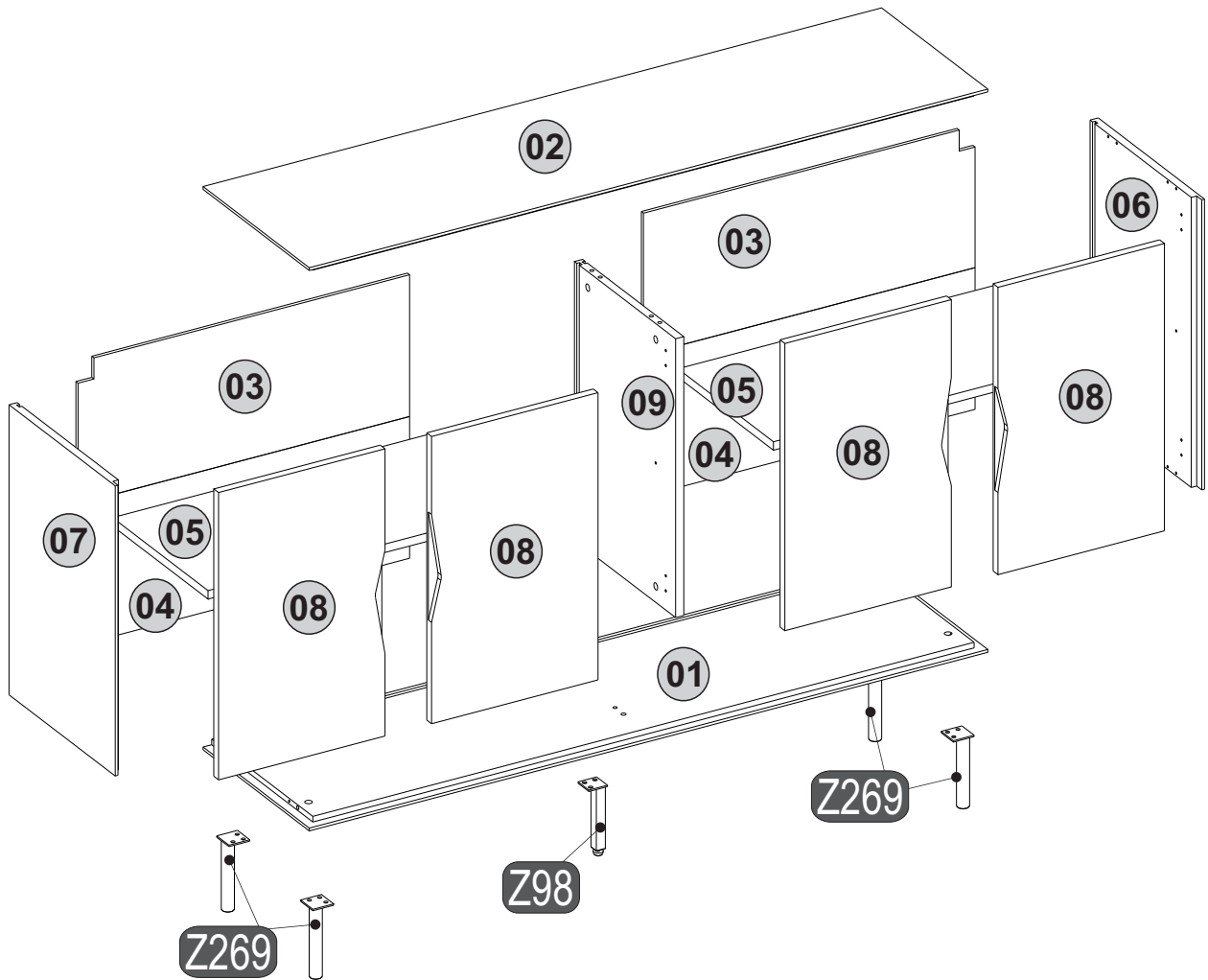
**i** GP037-0341,1



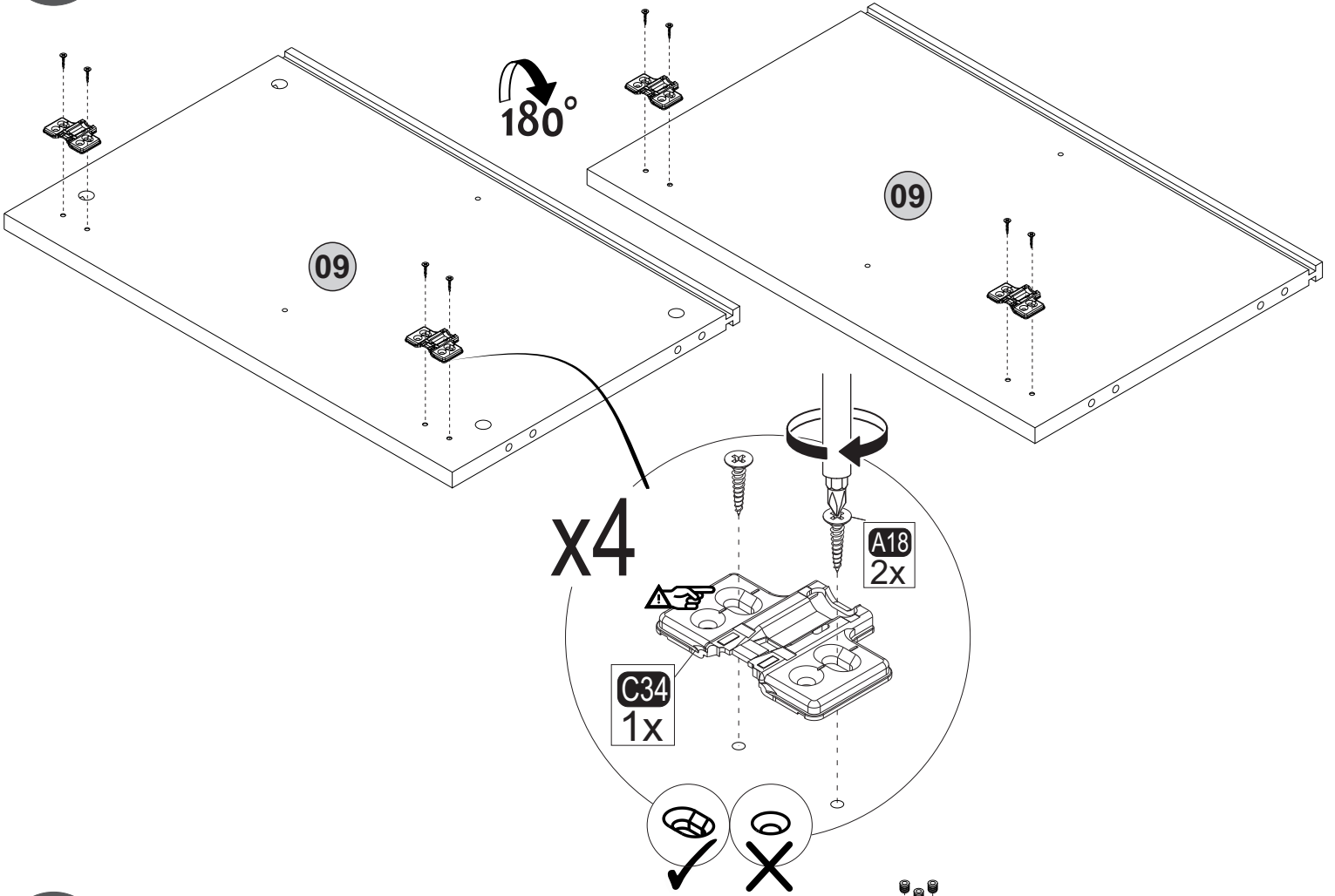
150 x 40 x 78,5cm

# HARDWARE LIST

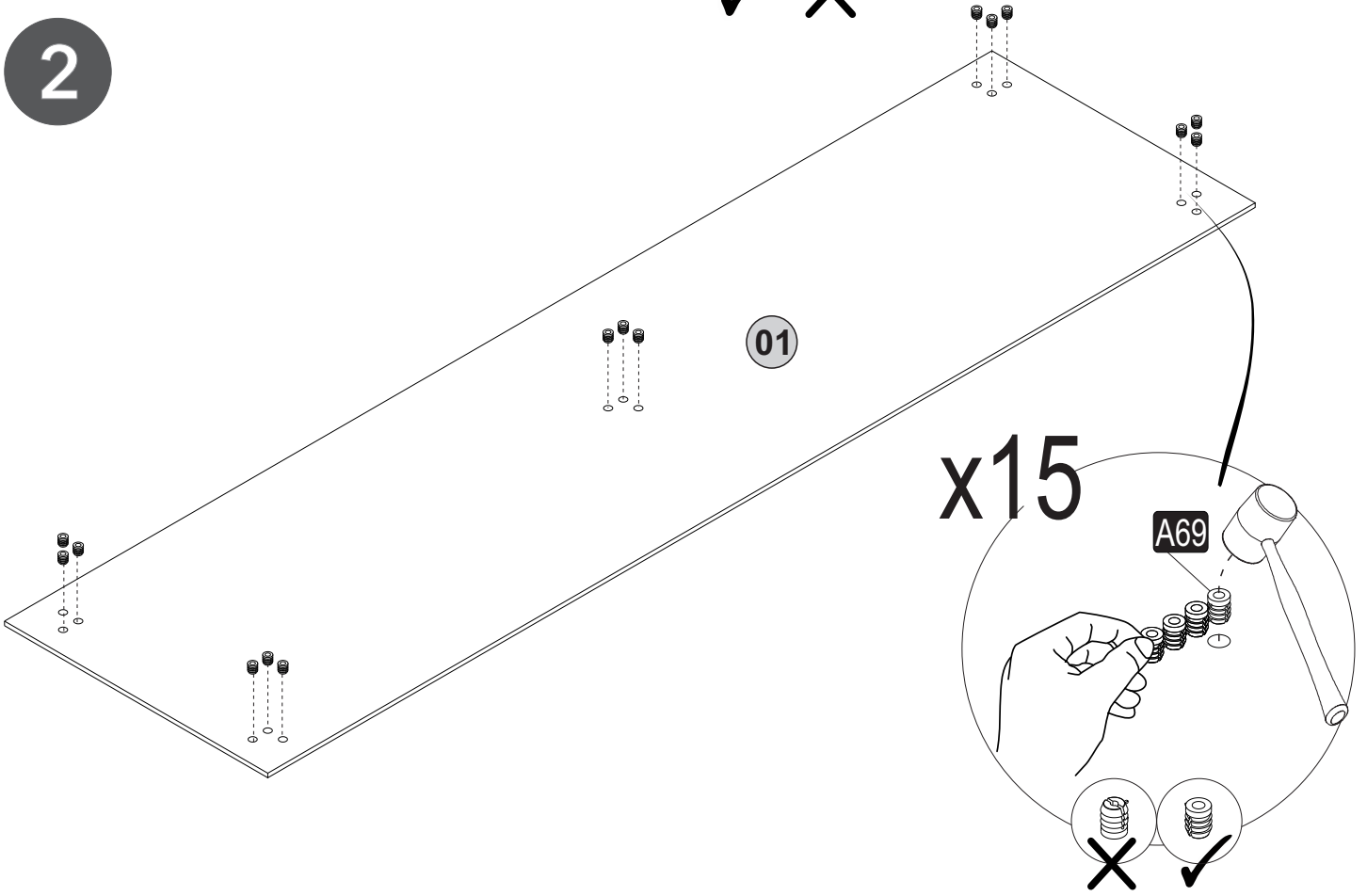
<b>A04</b> Ø8x30 4x 	<b>A06</b> 18mm C1-12x 4x 	<b>A12</b> Allen 1x 	<b>A16</b> DbØ8 2x 	<b>A17</b> 4X50 2x 
<b>A18</b> 3,5x18 64x 	<b>A22</b> Minifix k18 4x 	<b>A23</b> Minifix M10 4x 	<b>A25</b> ARK.PL 12x 	<b>A48</b> Raf Pimi 8x 
<b>A69</b> P.D. 15x 	<b>A135</b> Ø11x24 (SD) 8x 	<b>A139</b> Ø5x30 8x 	<b>A118</b> Ø15X12 MM 8x 	<b>A87</b> 15x90x30 2x 
<b>B06</b> 15 mm 15x 	<b>Z269</b> Ø25x150 MM 4x 	<b>Z98</b> AMA 150mm 1x 	<b>C32</b> YM 8x 	<b>C34</b> MA 8x 



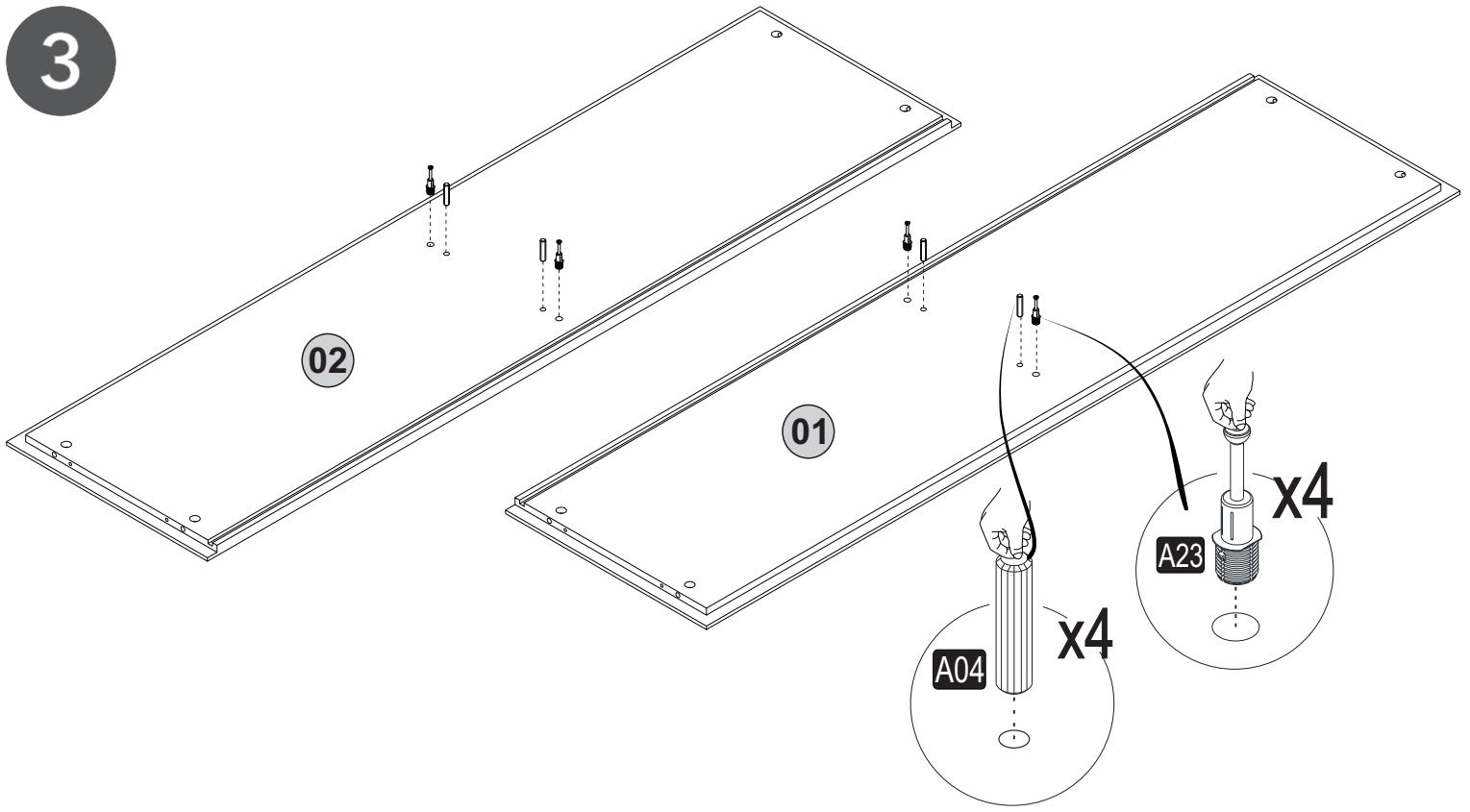
1



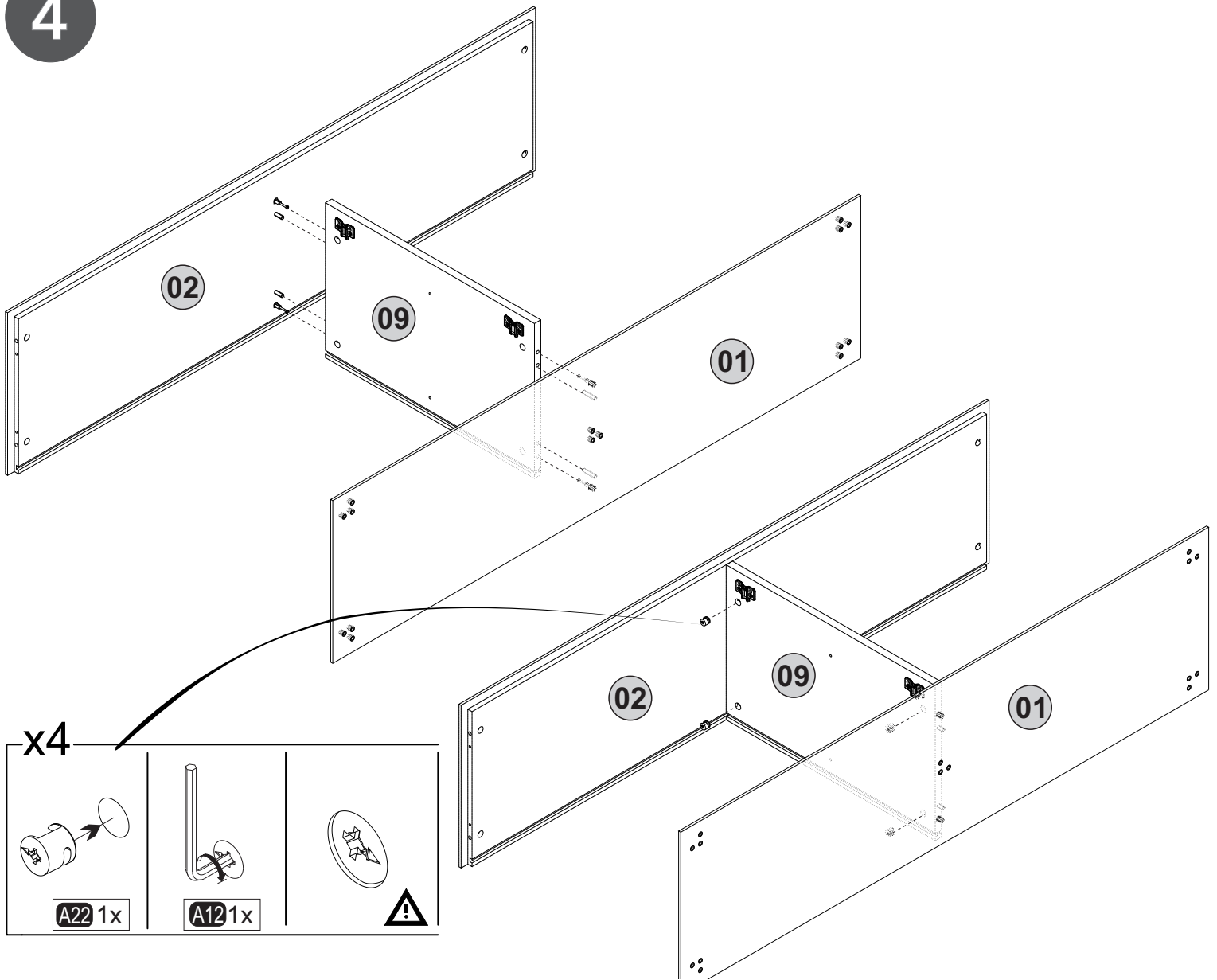
2



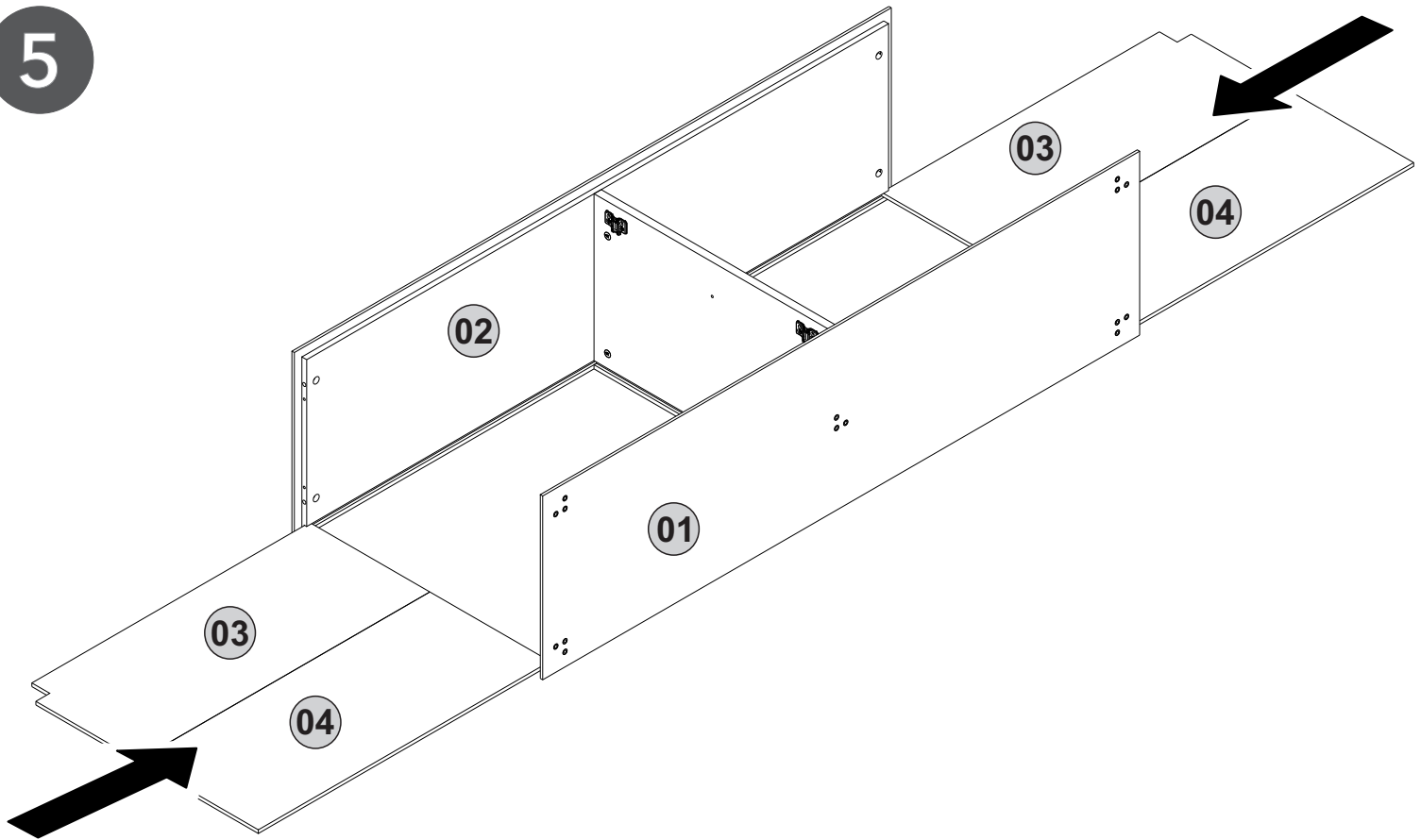
3



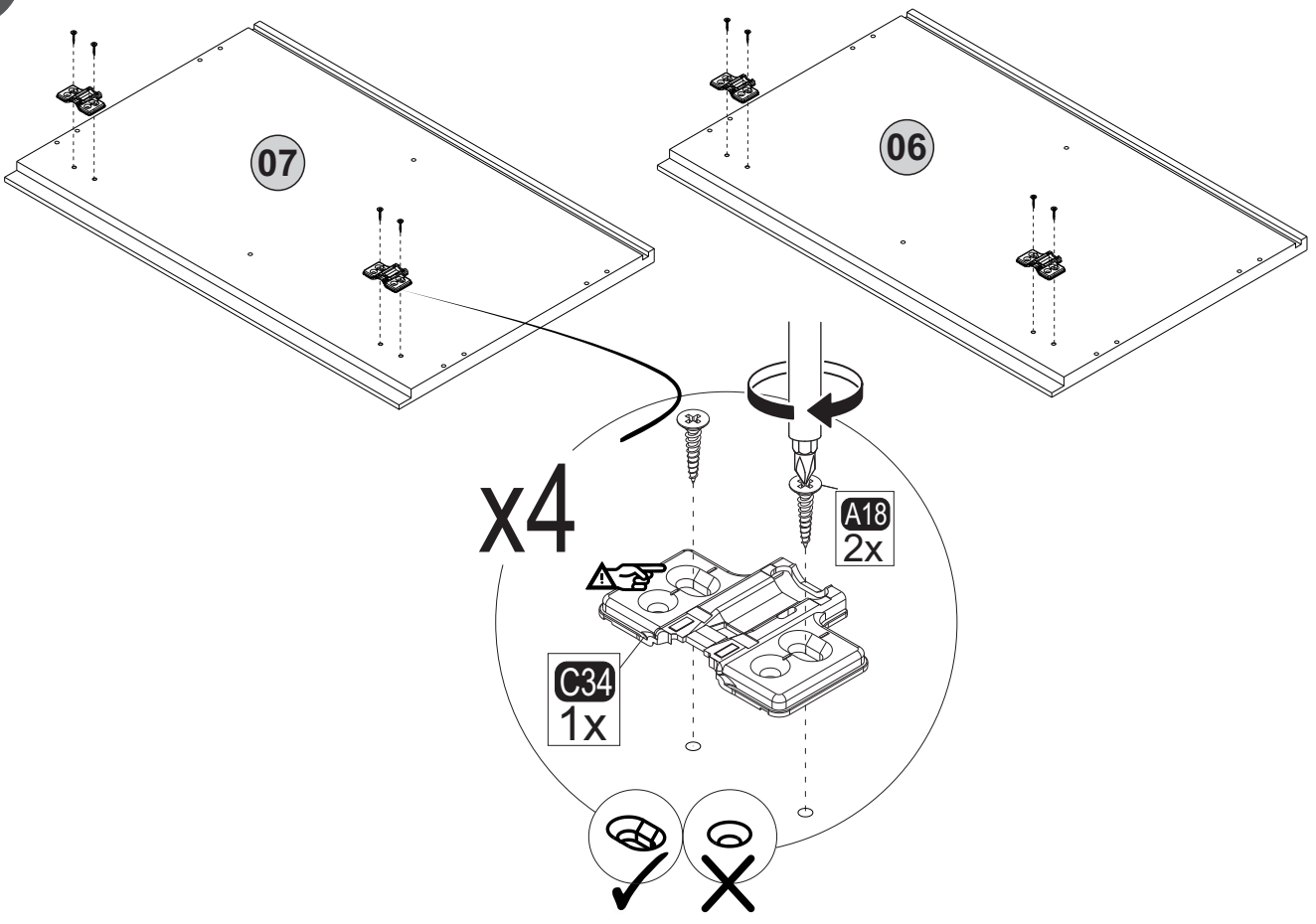
4



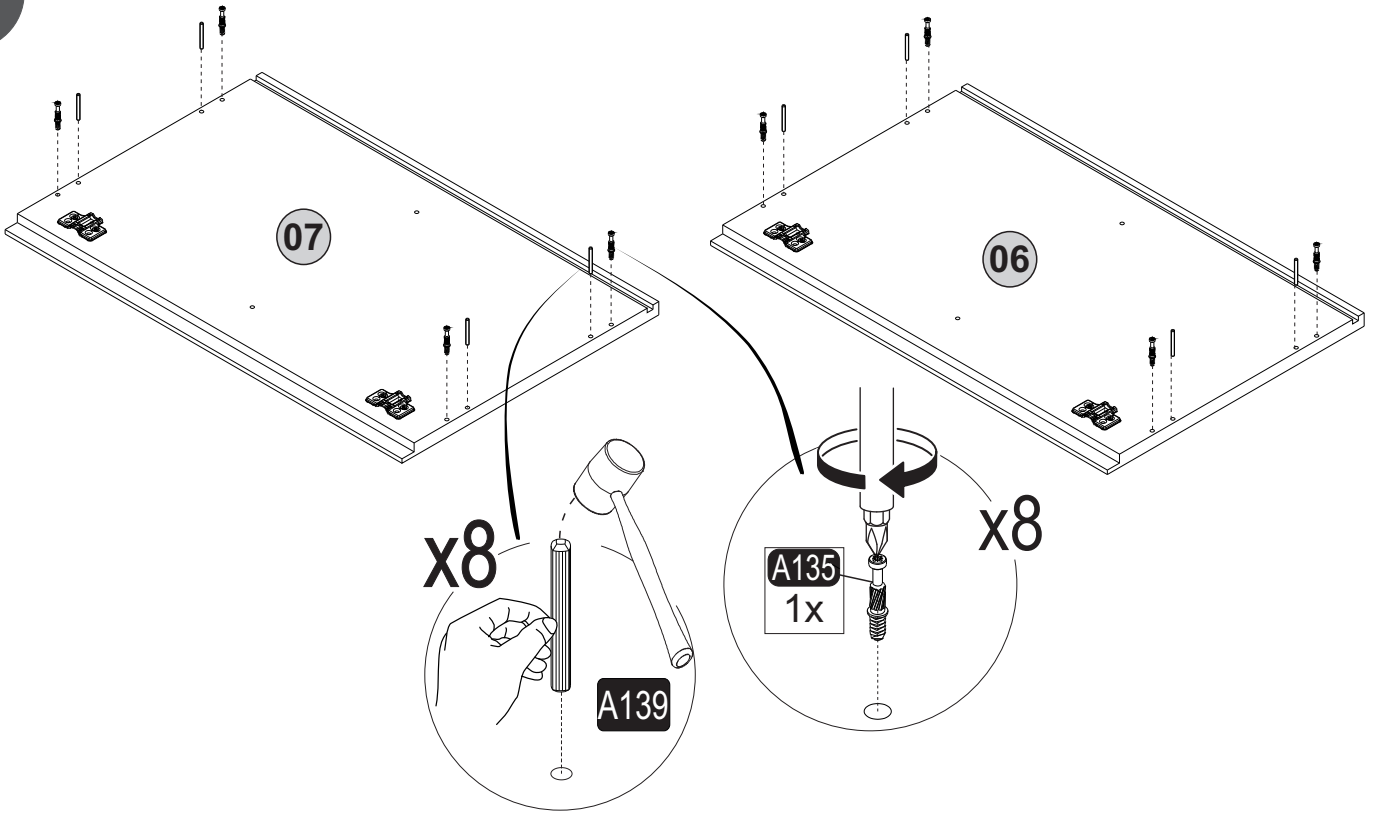
5



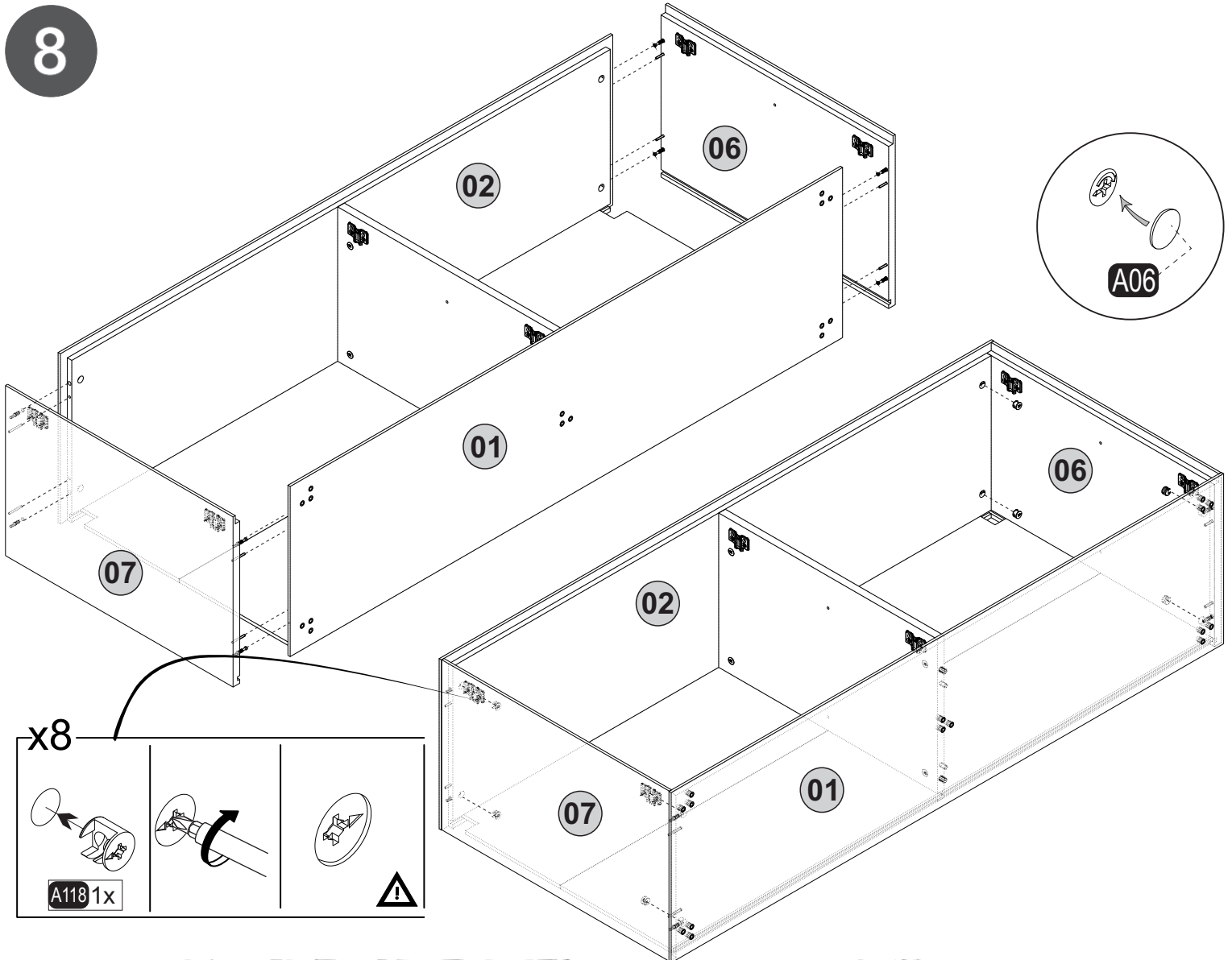
6



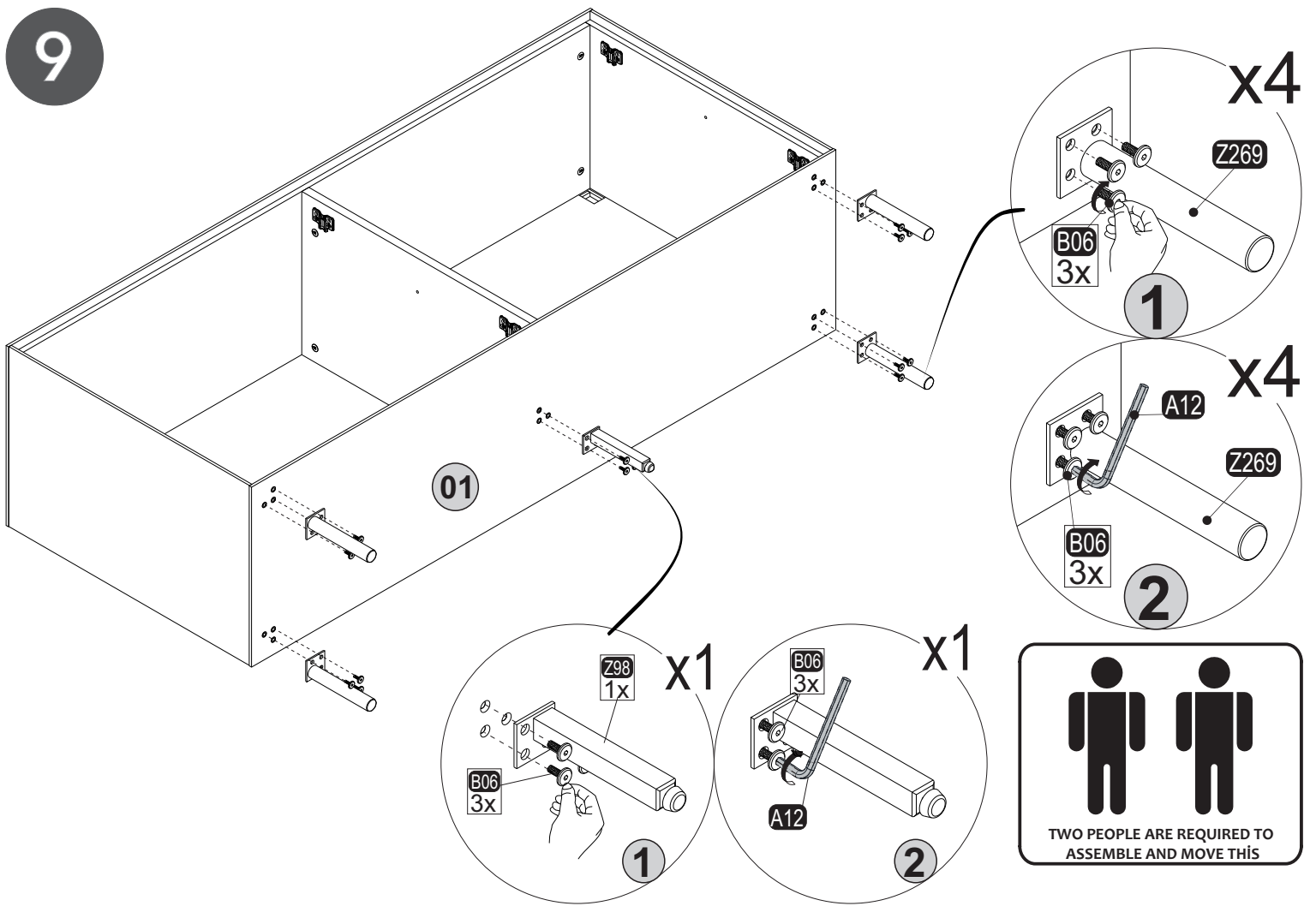
7



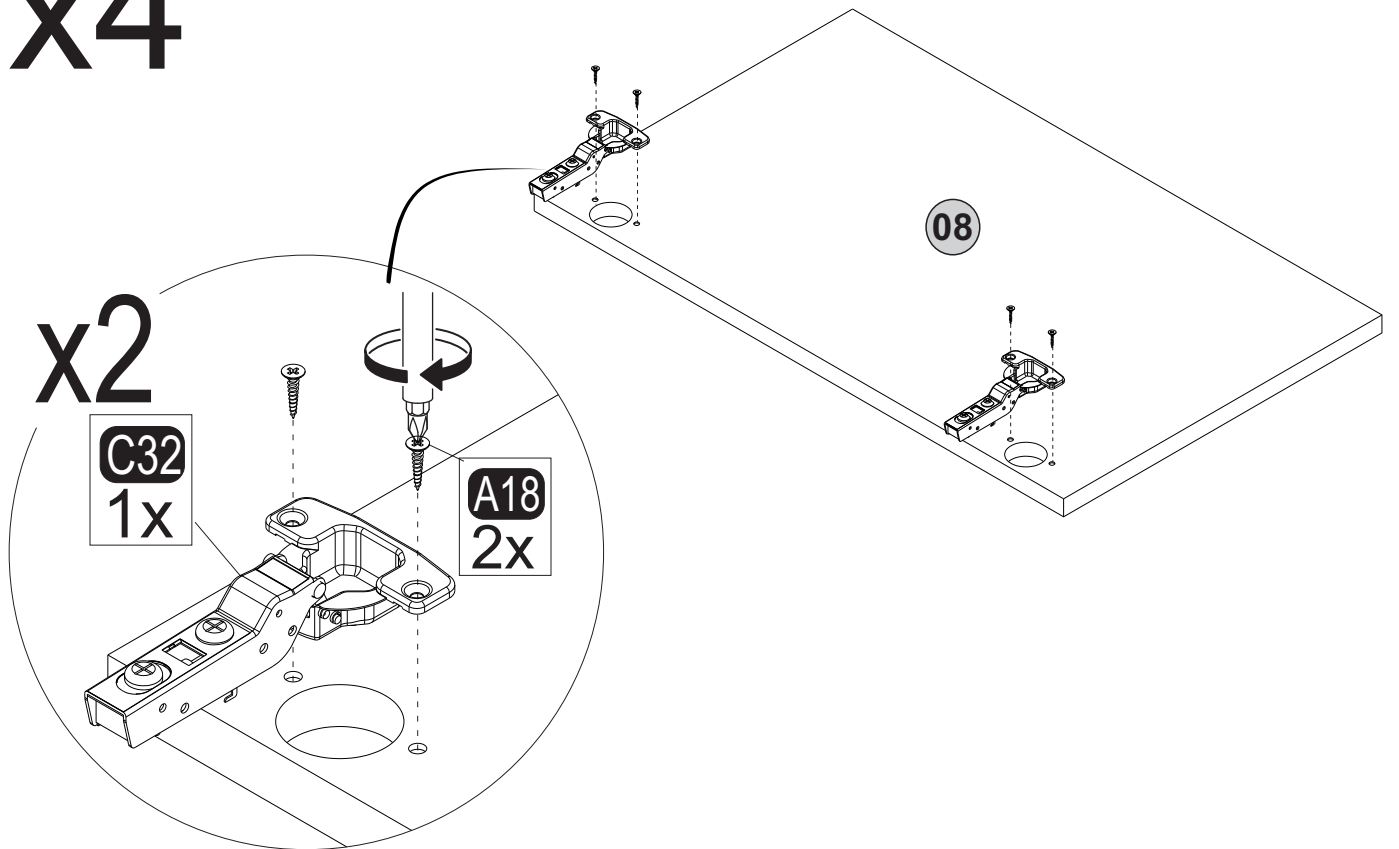
8

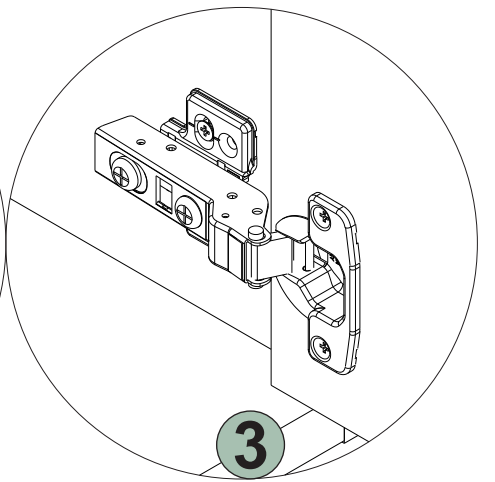
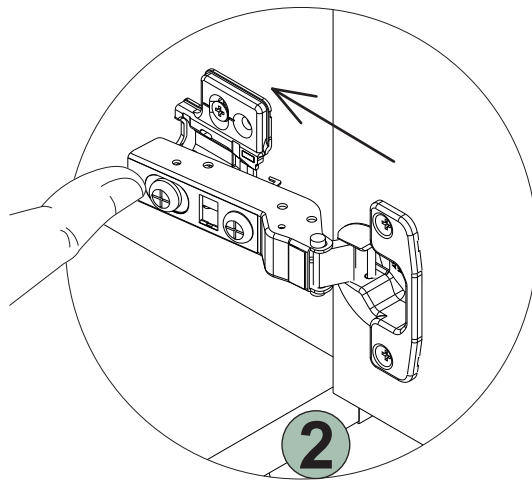
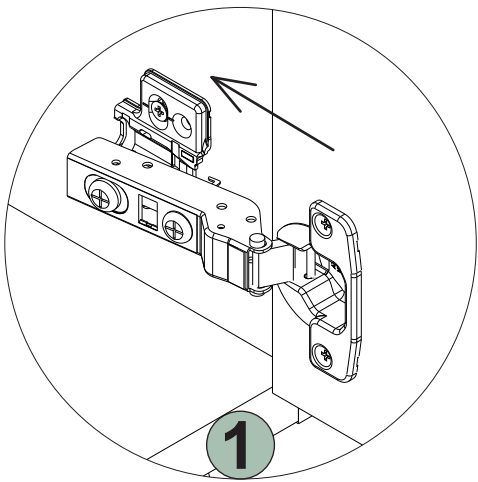
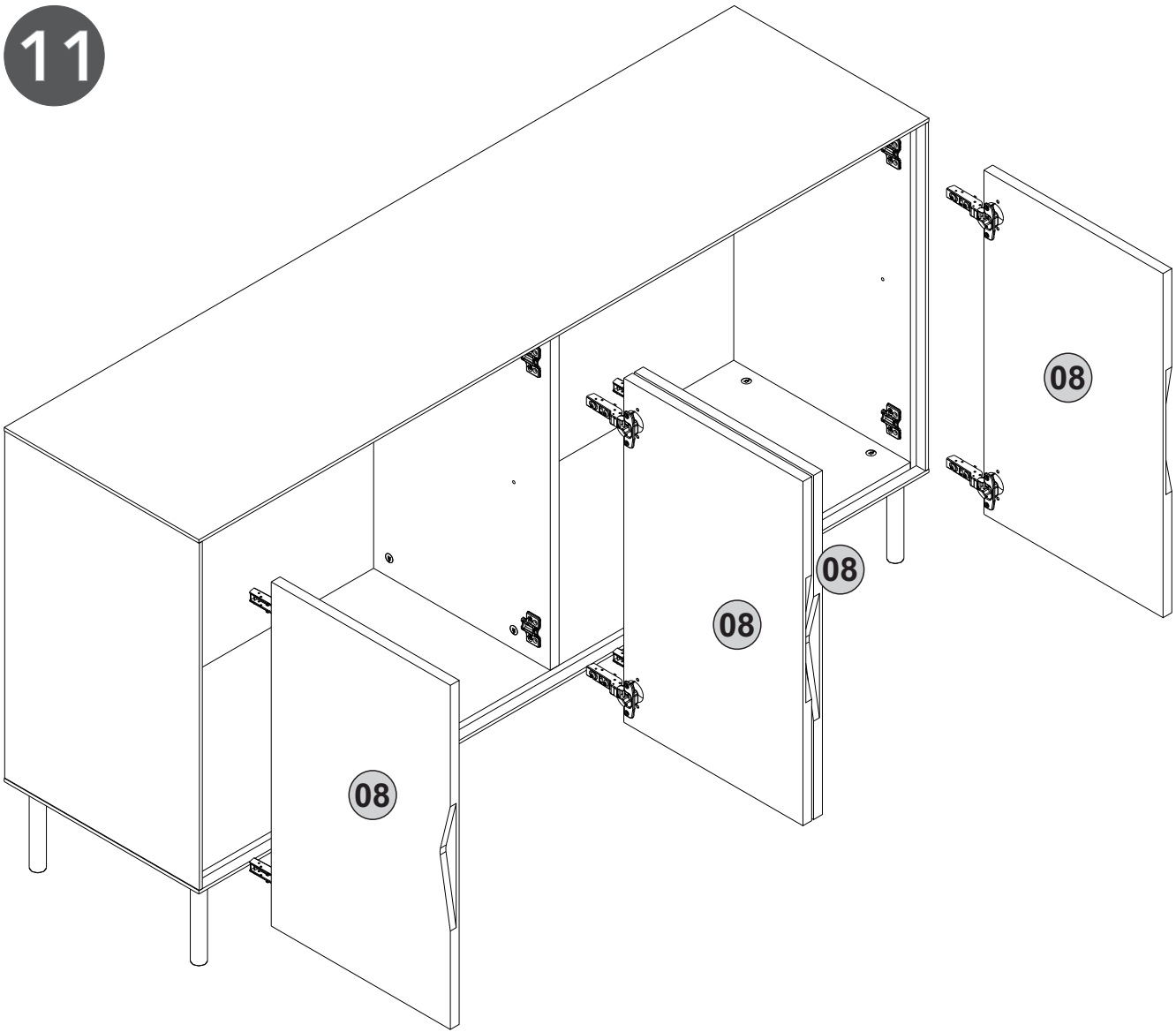


9

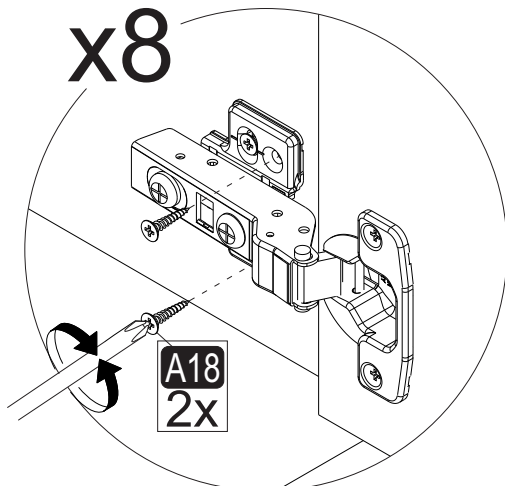
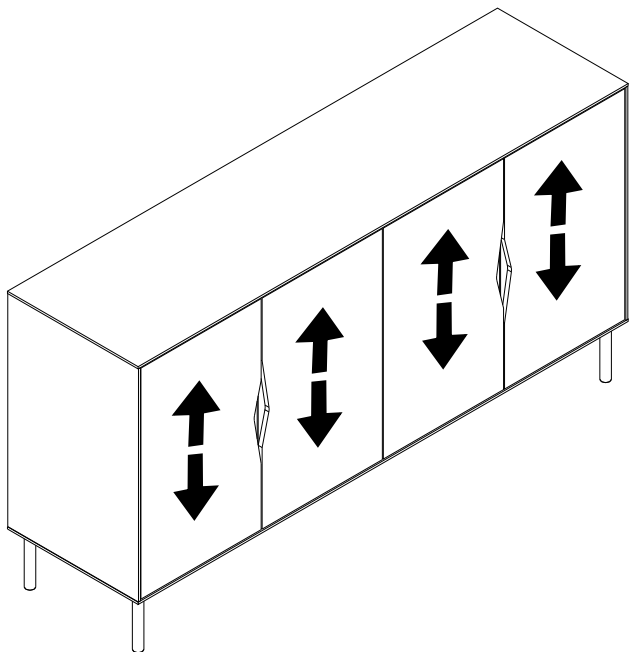
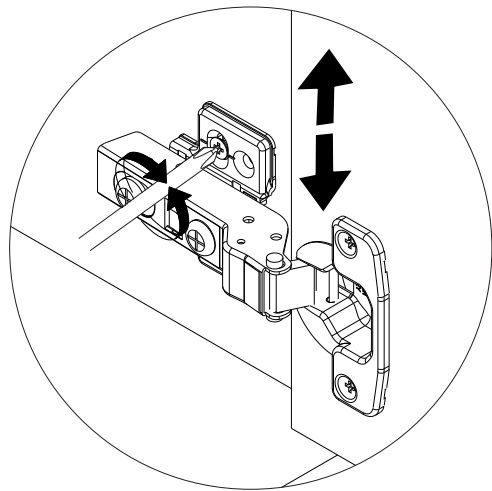
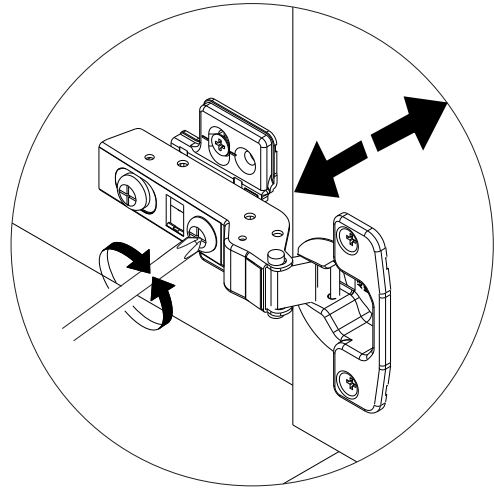
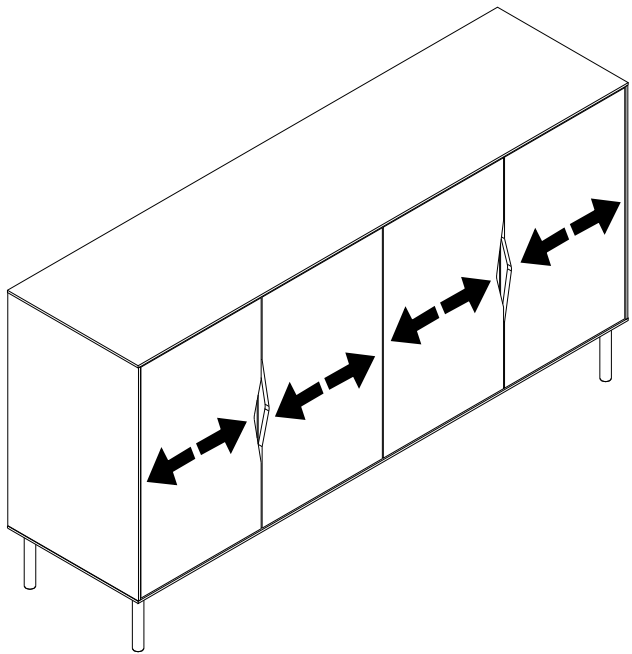
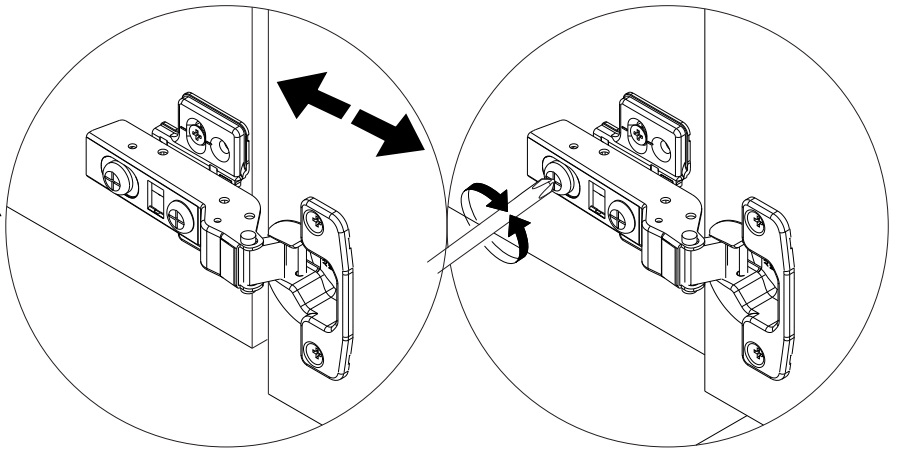
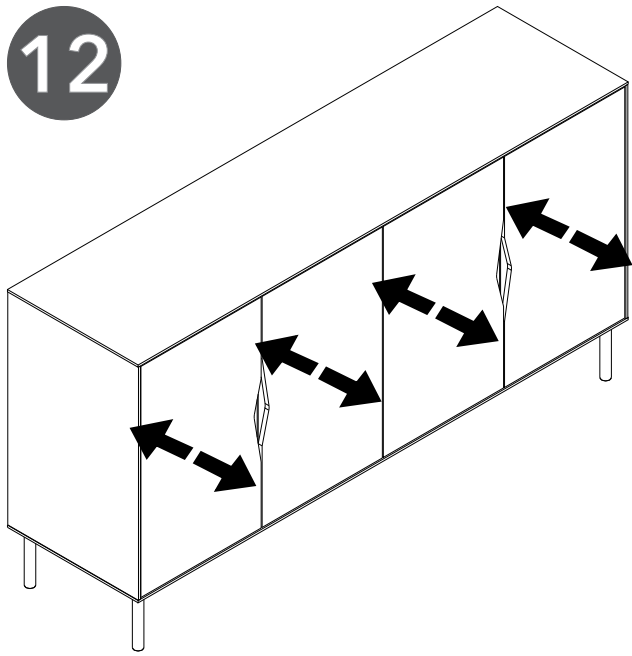


10 x4

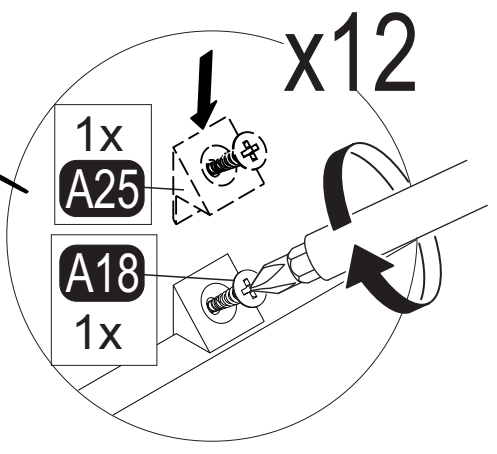
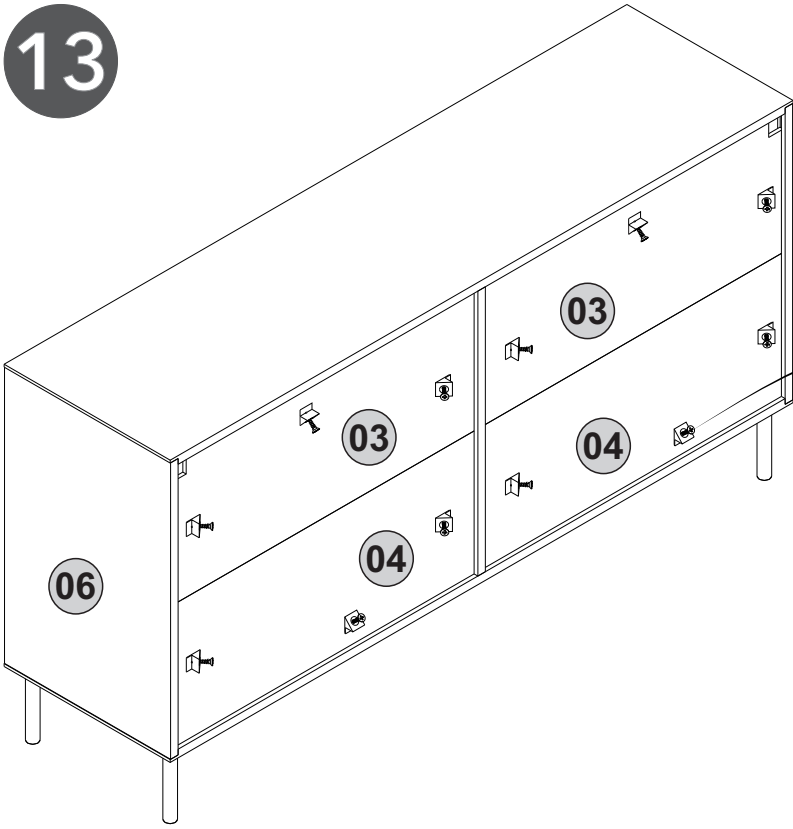




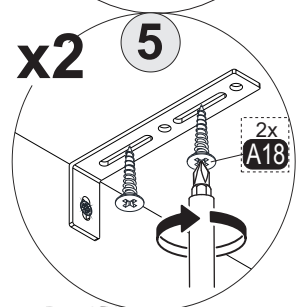
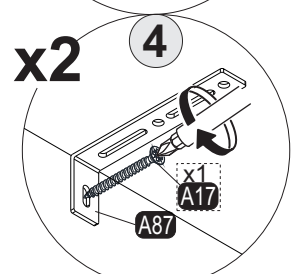
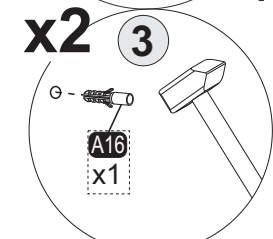
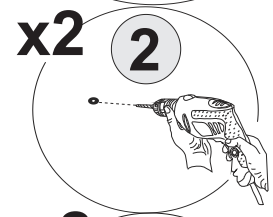
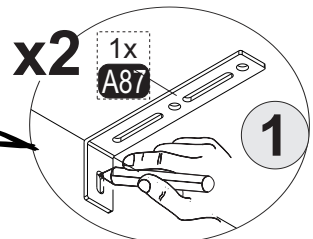
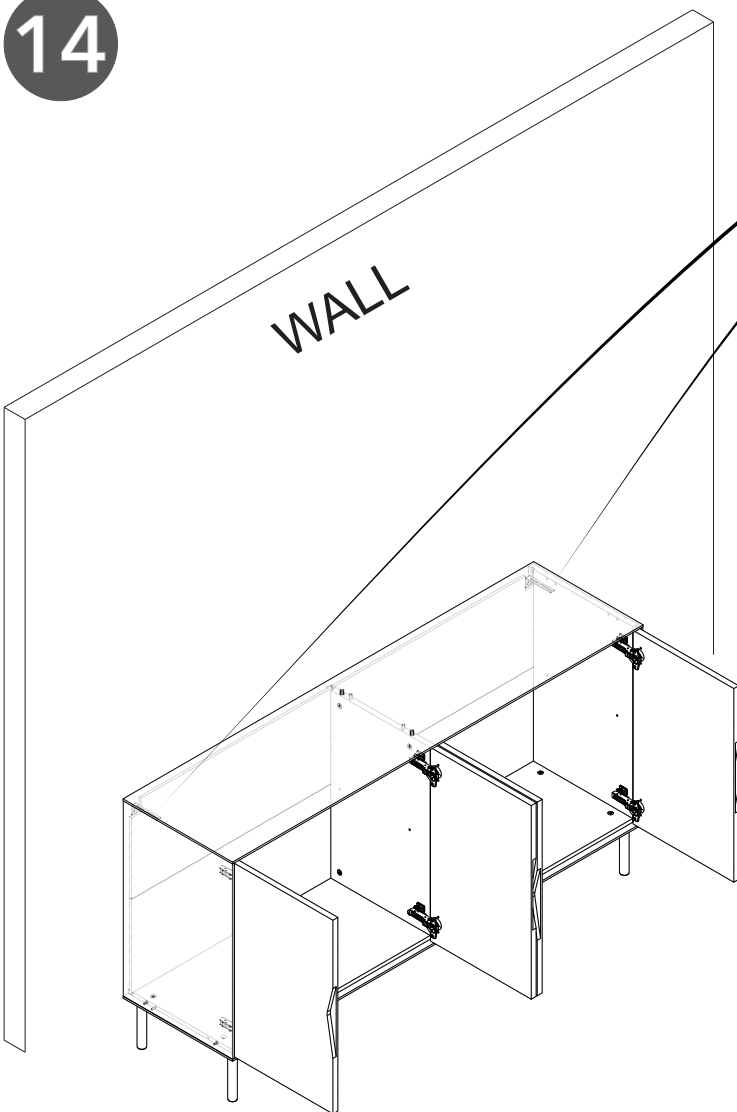
12



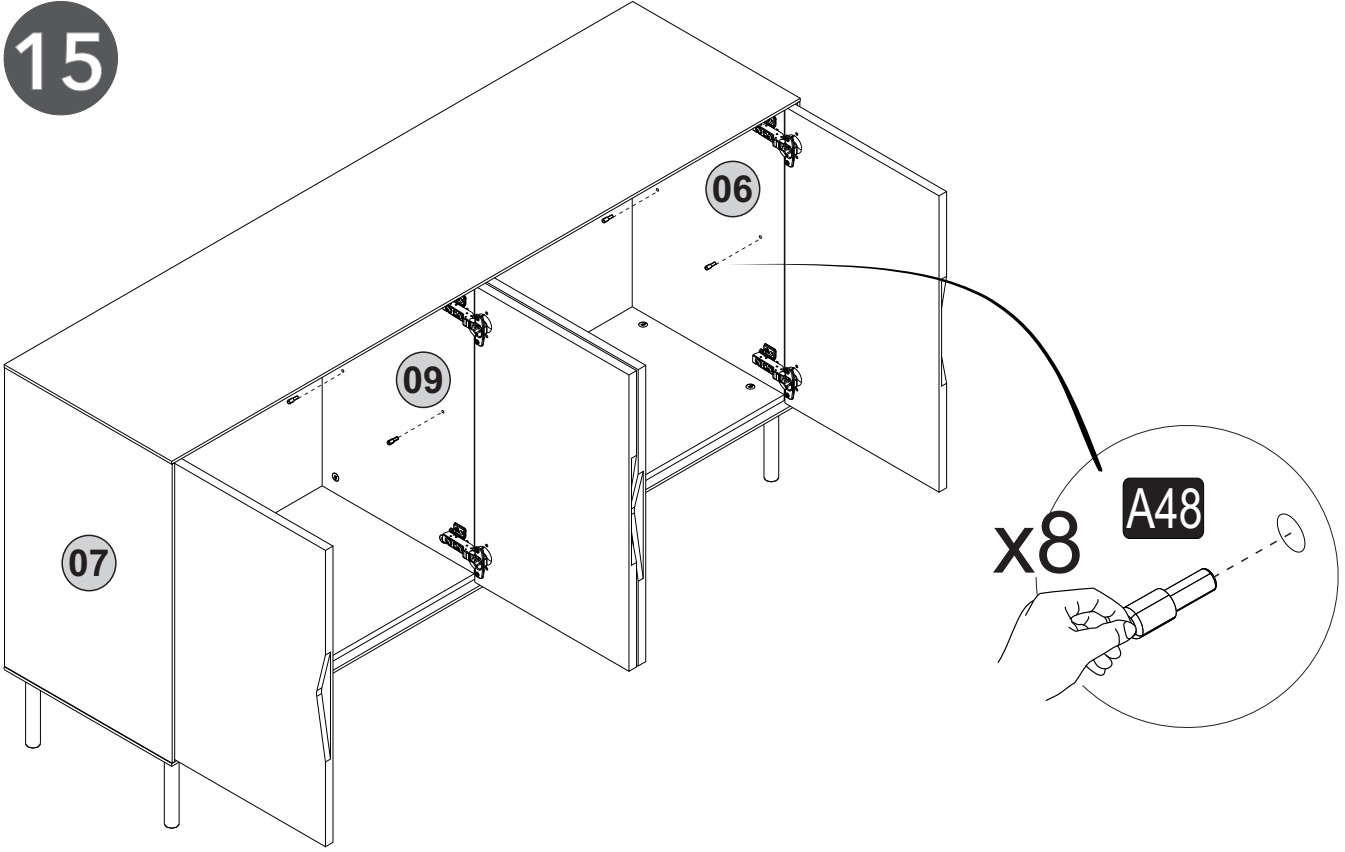
13



14



15



16

