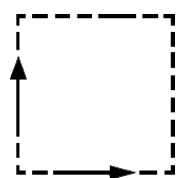


i GP037-0348,1

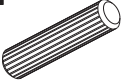

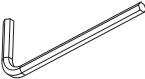


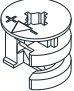
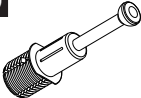
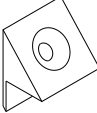



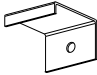

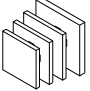
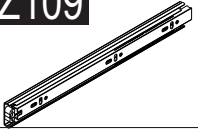
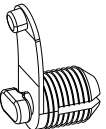


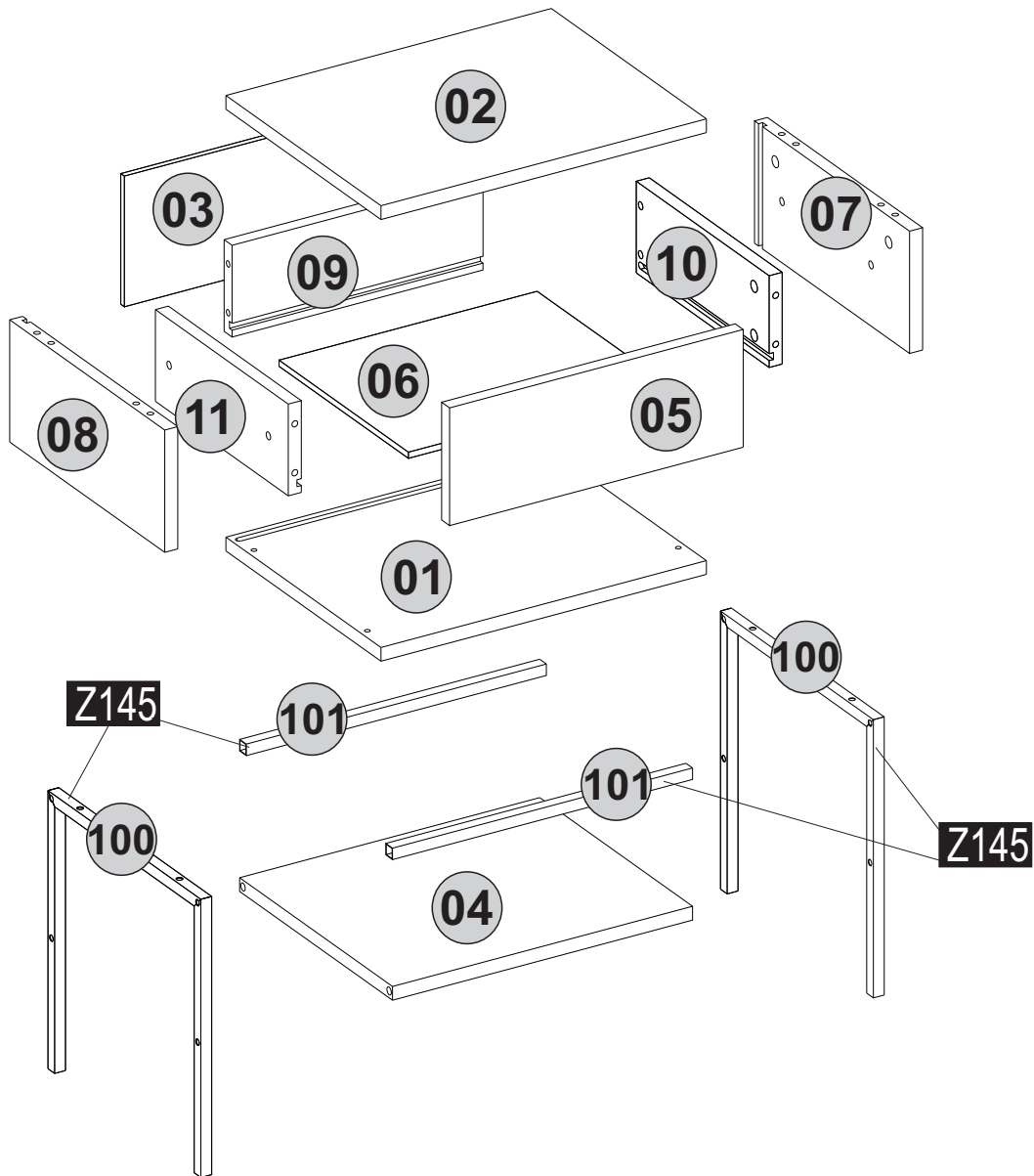
45 x 35 x 56,4cm



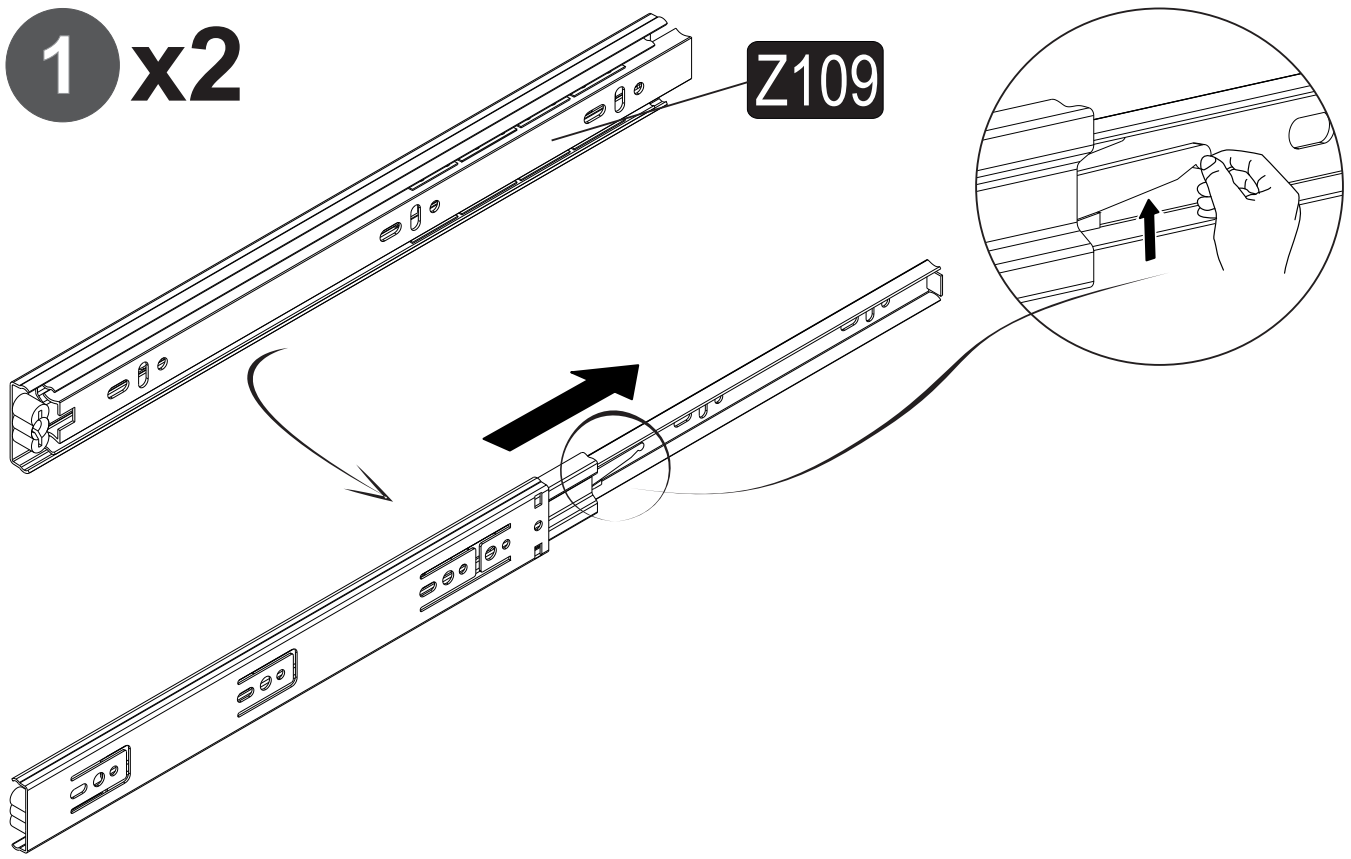
Follow the installation steps in the order as shown. Position the parts as shown in the installation guide steps.

HARDWARE LIST

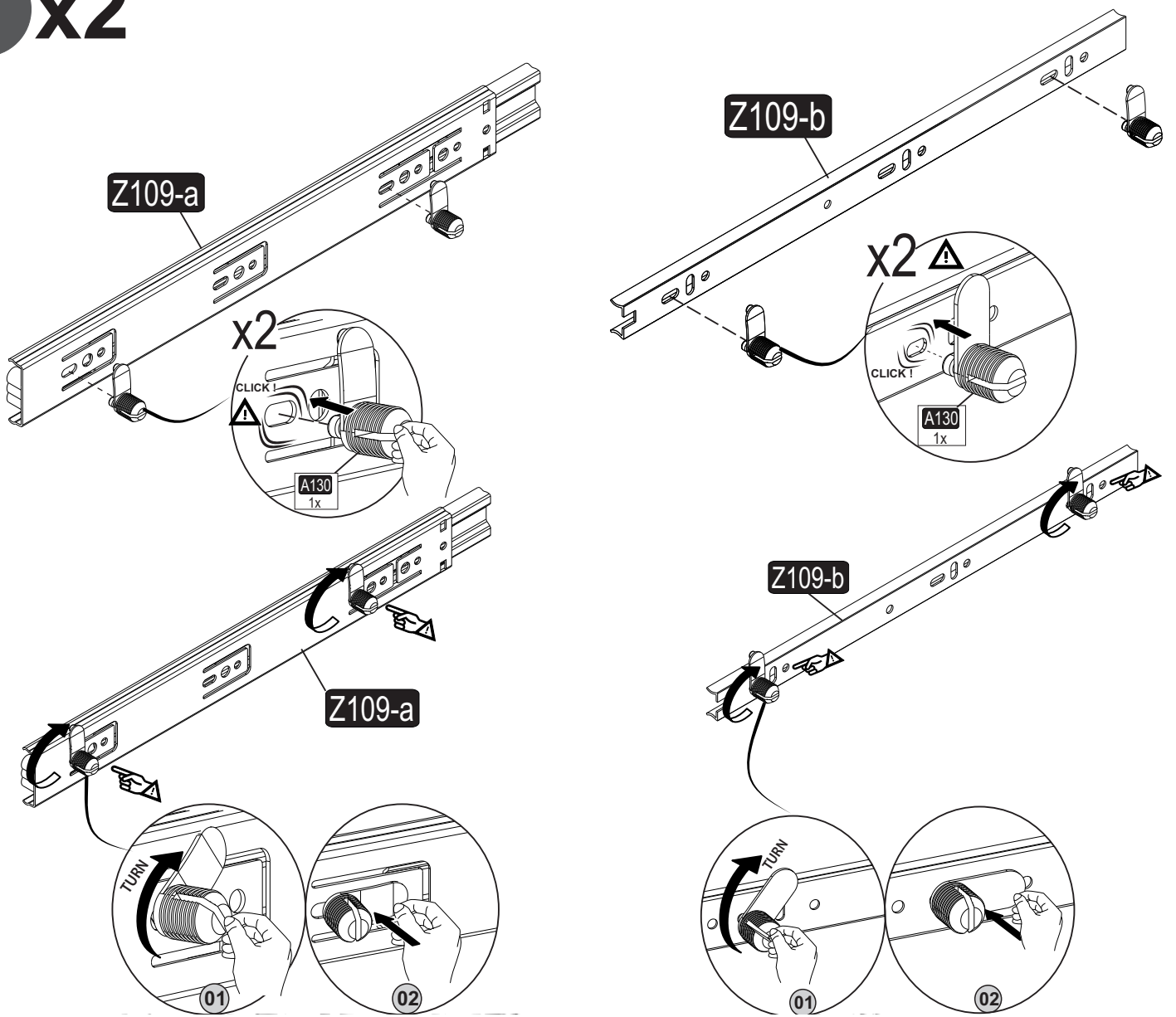
A04 Ø8x30  4x	A06 18mm  C1-16x 12x	A12 Allen  1x	A13 50mm  4x	A18 3,5x18  6x
A22 Minifix k18  12x	A23 Minifix M10  12x	A25 ARK.PL  6x	A69 P.D.  8x	B13 25 (black)mm  12x
A50 3,5x16 (BLACK)  1x	Z133 MK  1x	Z145 LKM  100-2x 101-2x	Z21 15x15x18  4x	Z109 35x300 TR  1x T.R.D.
				A130  8x



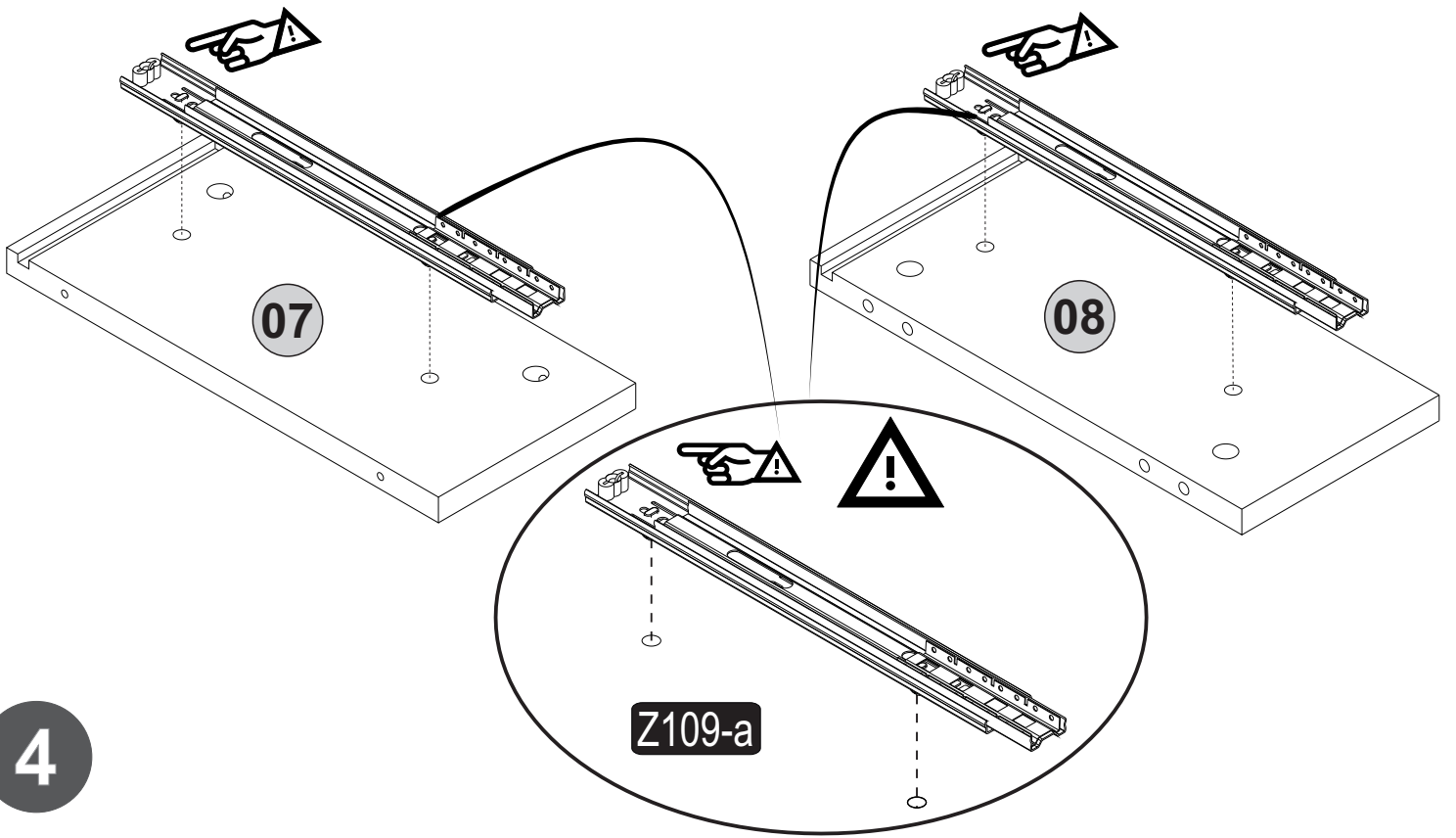
1 x2



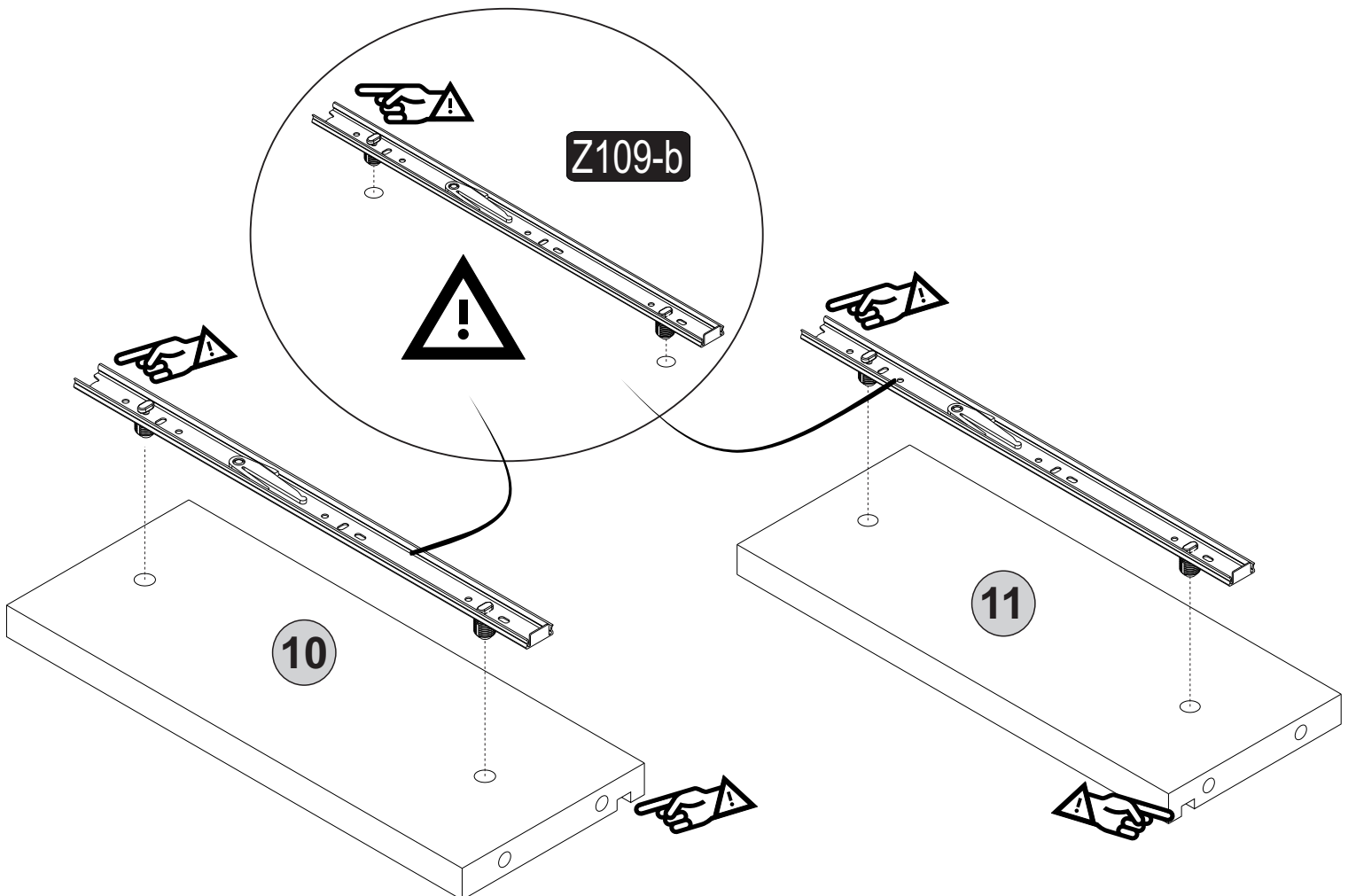
2 x2

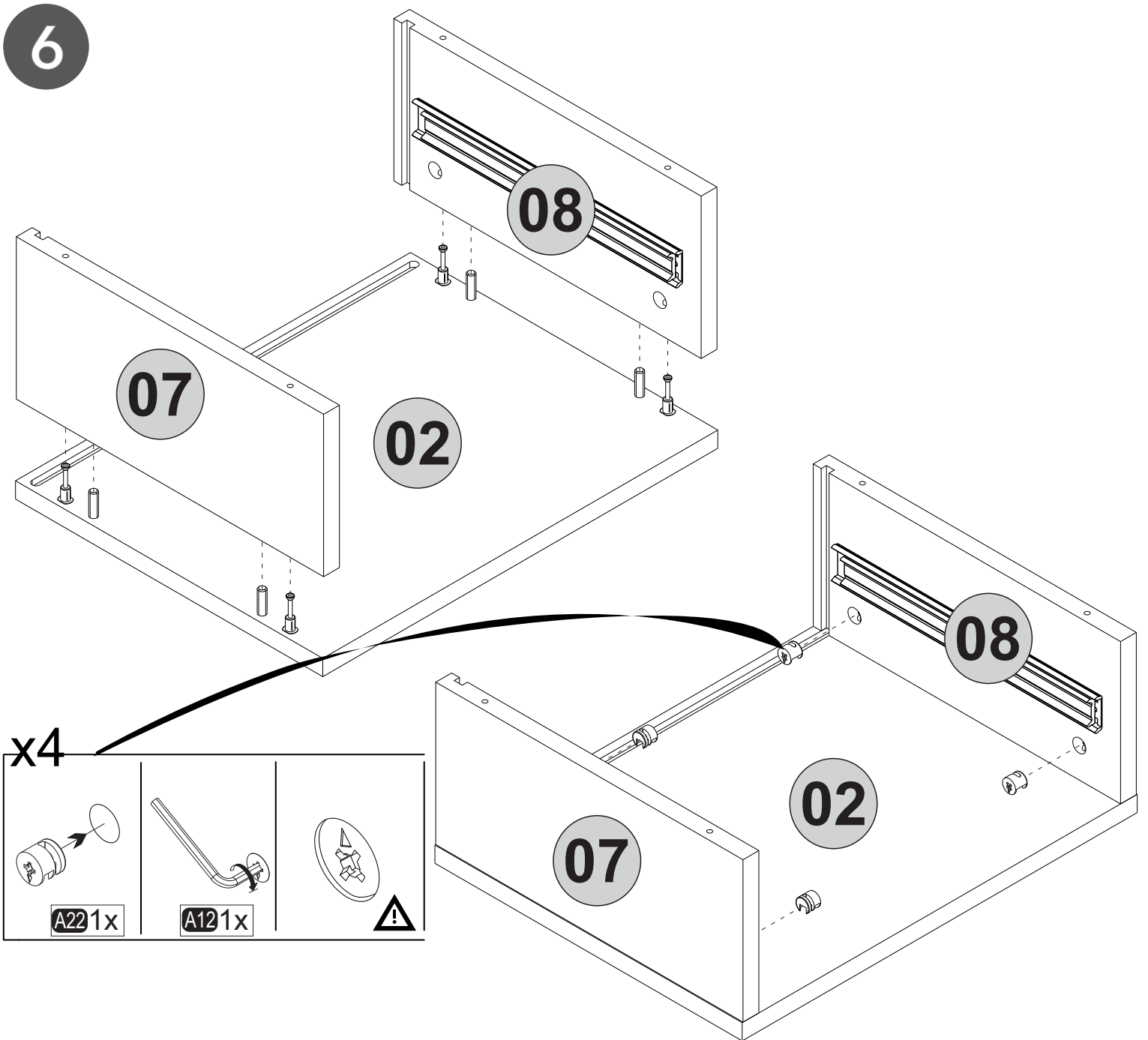
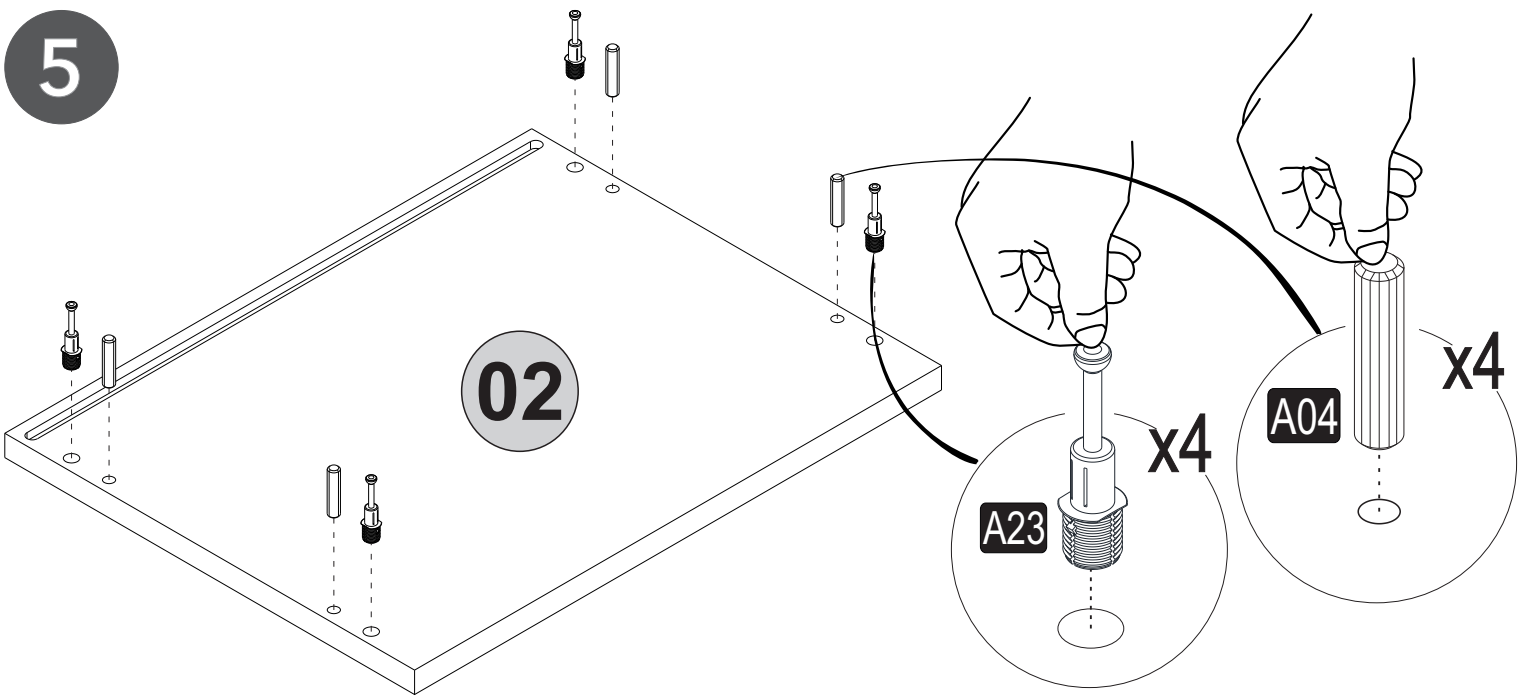


3

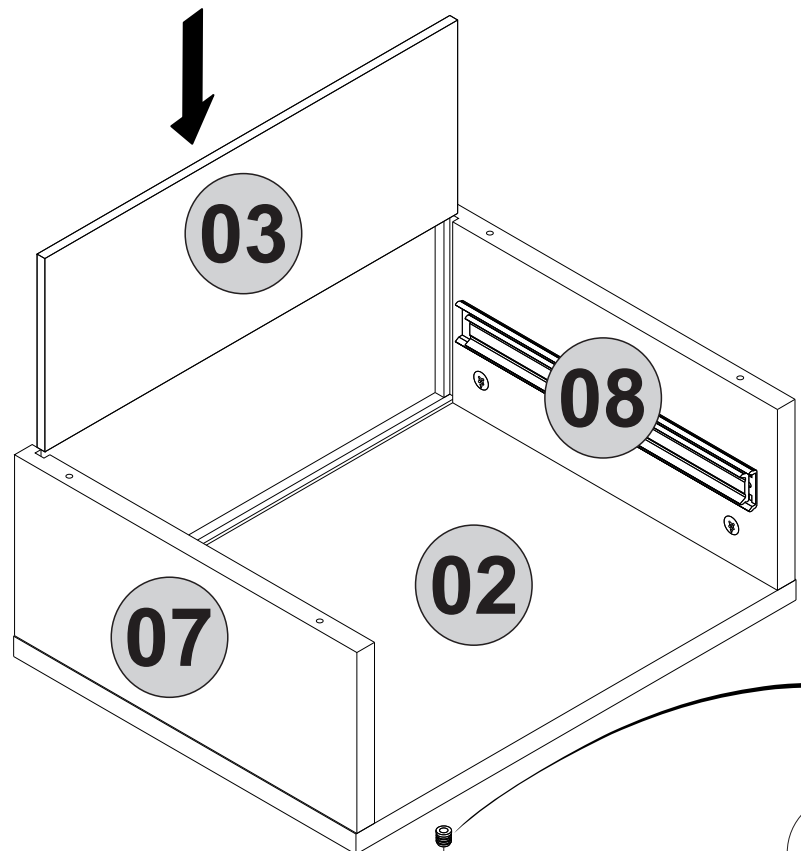


4

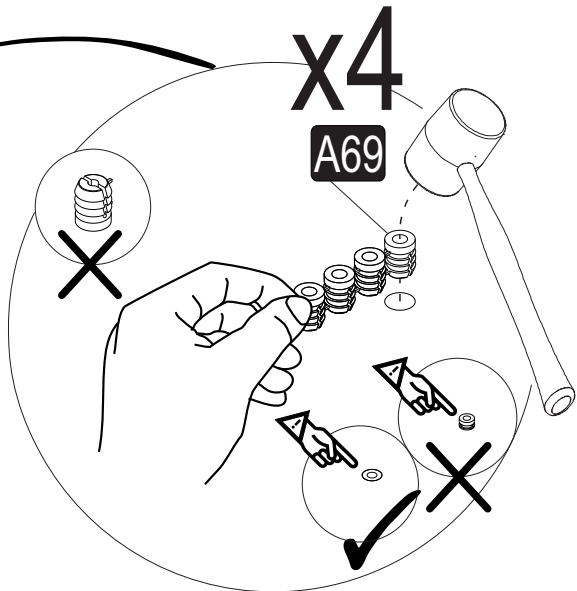
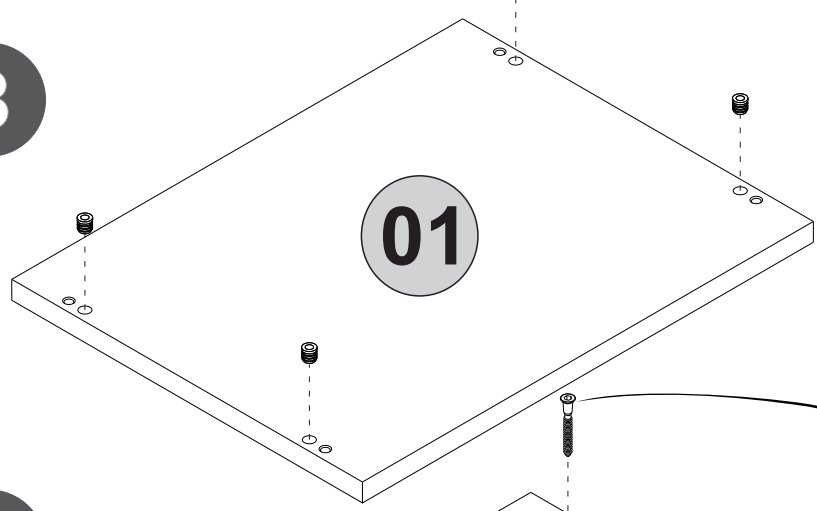




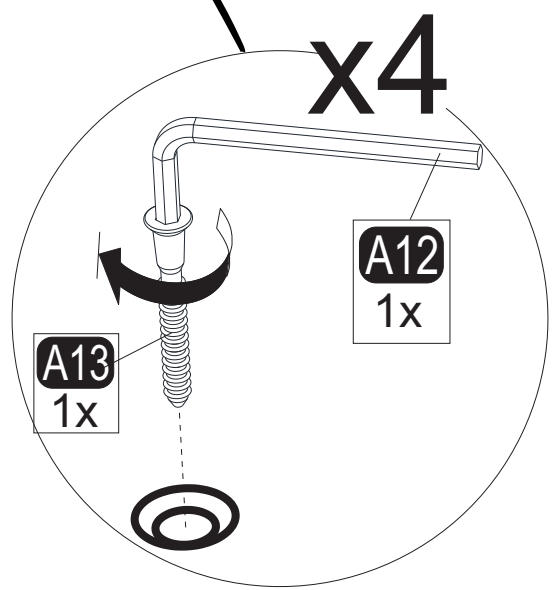
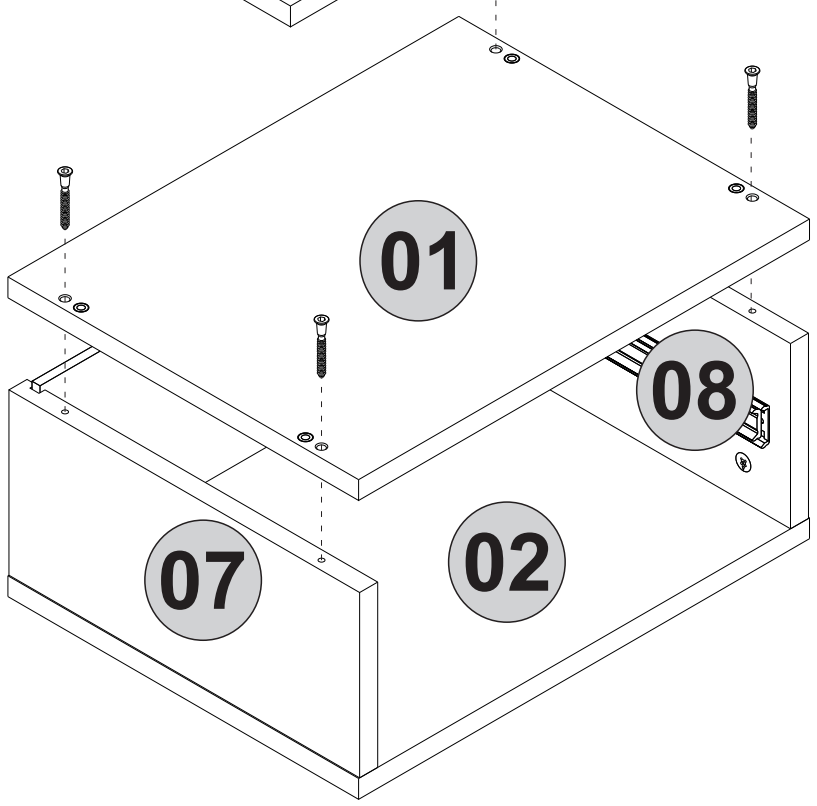
7



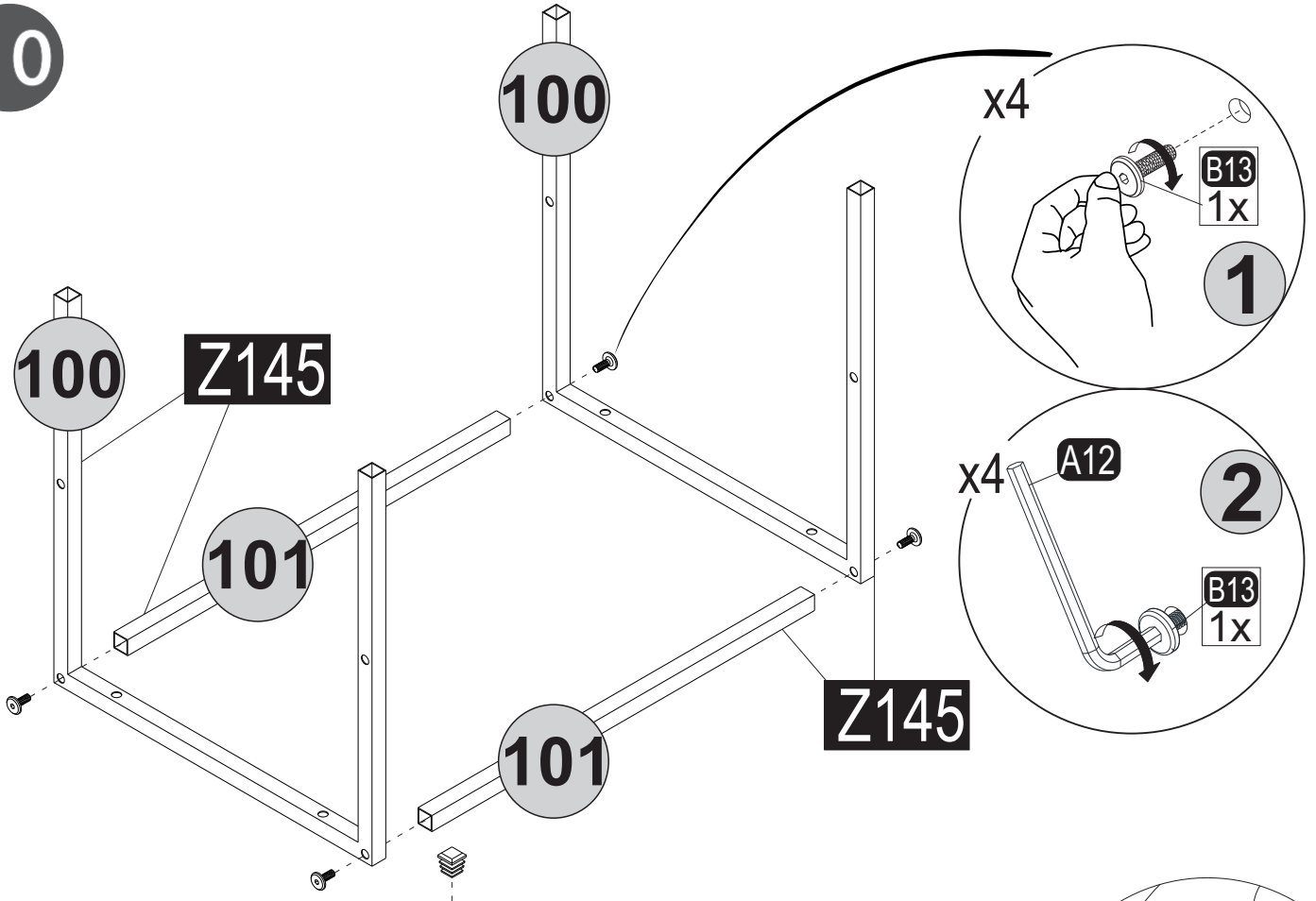
8



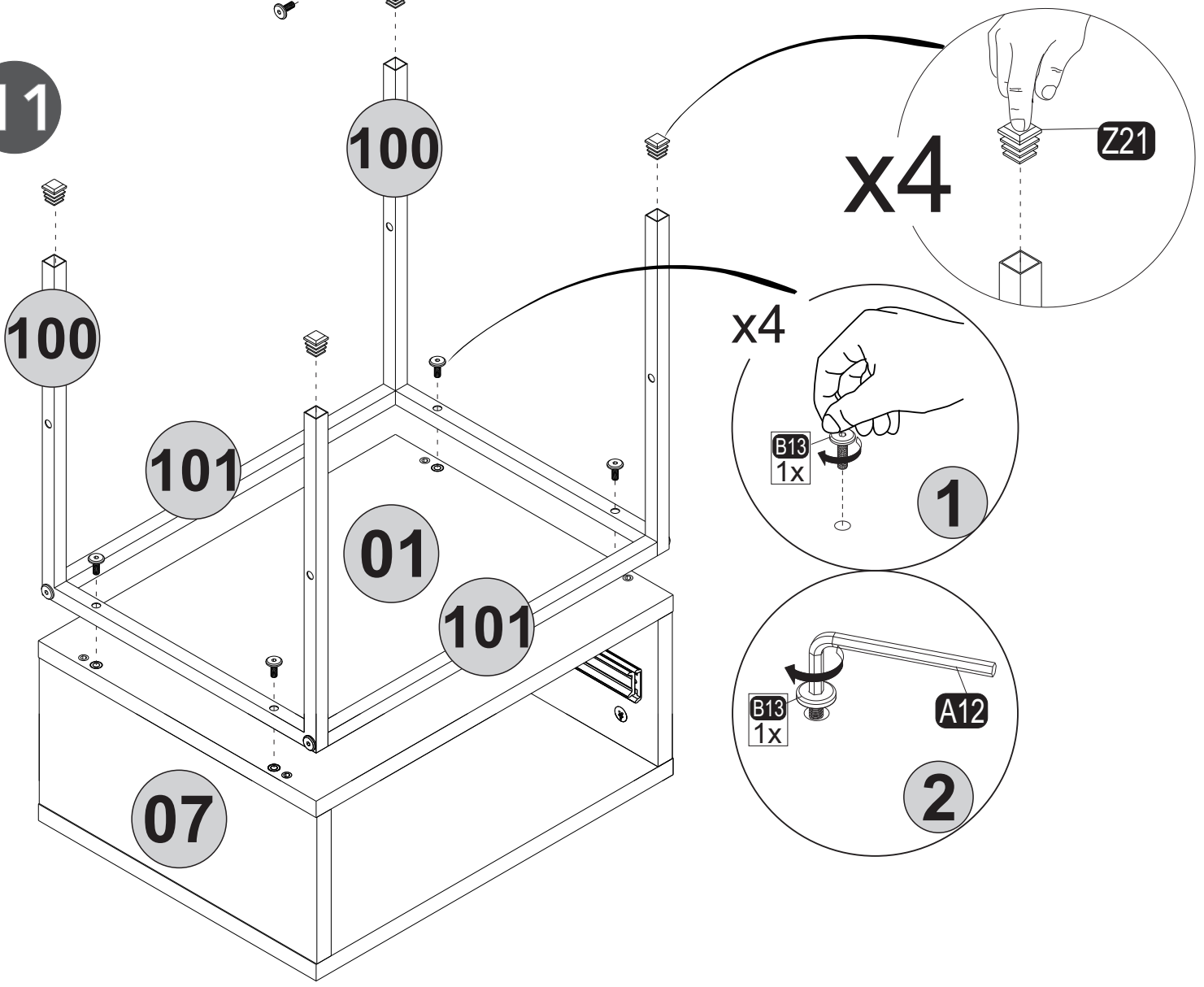
9



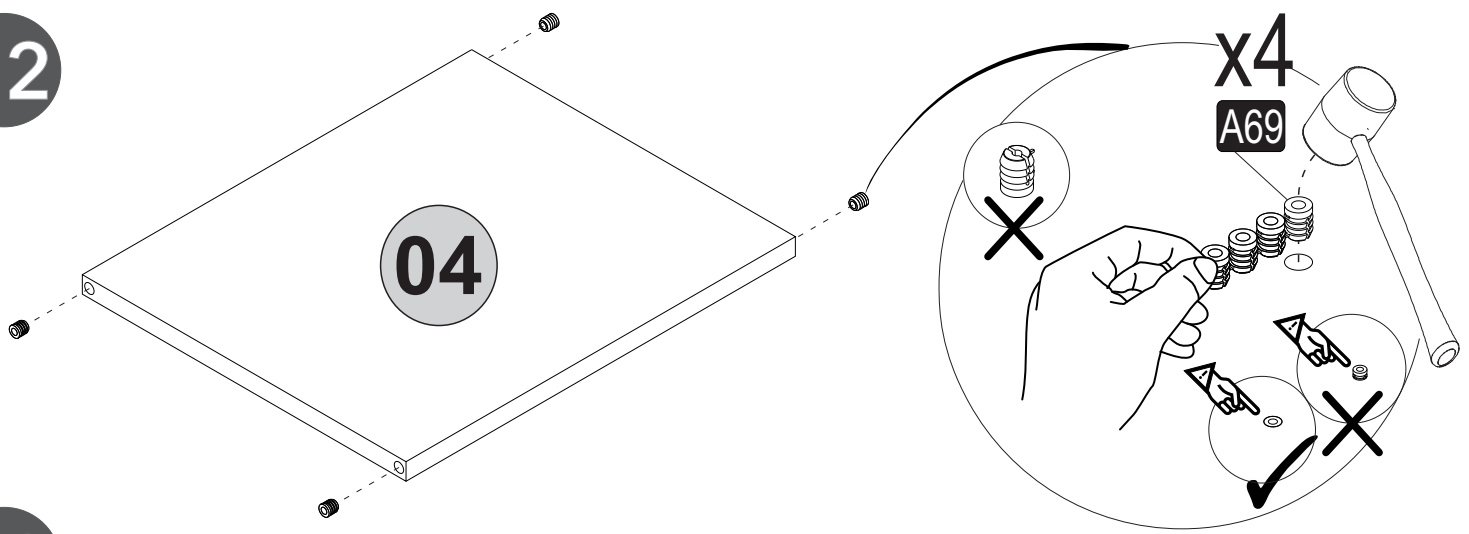
10



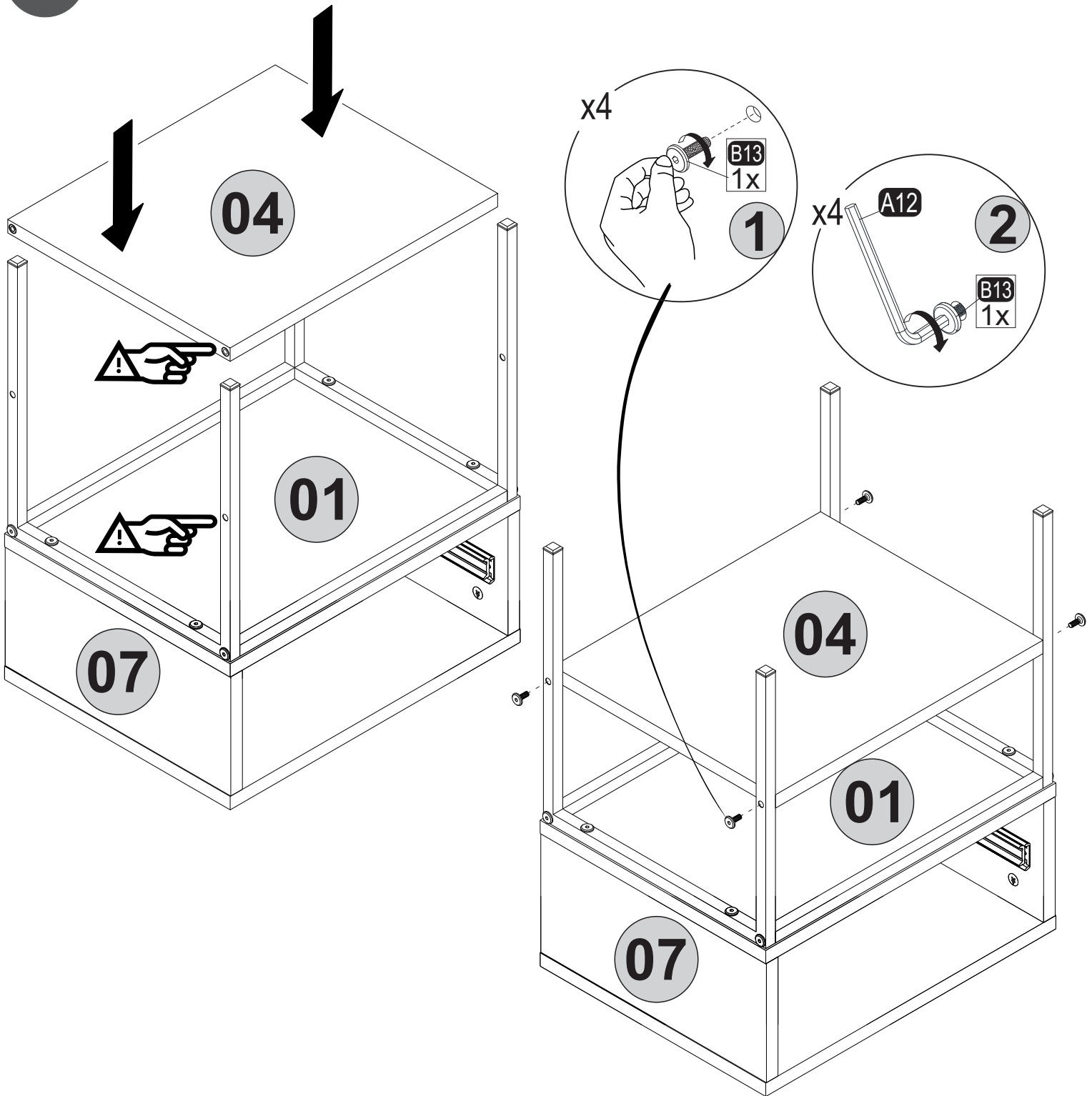
11



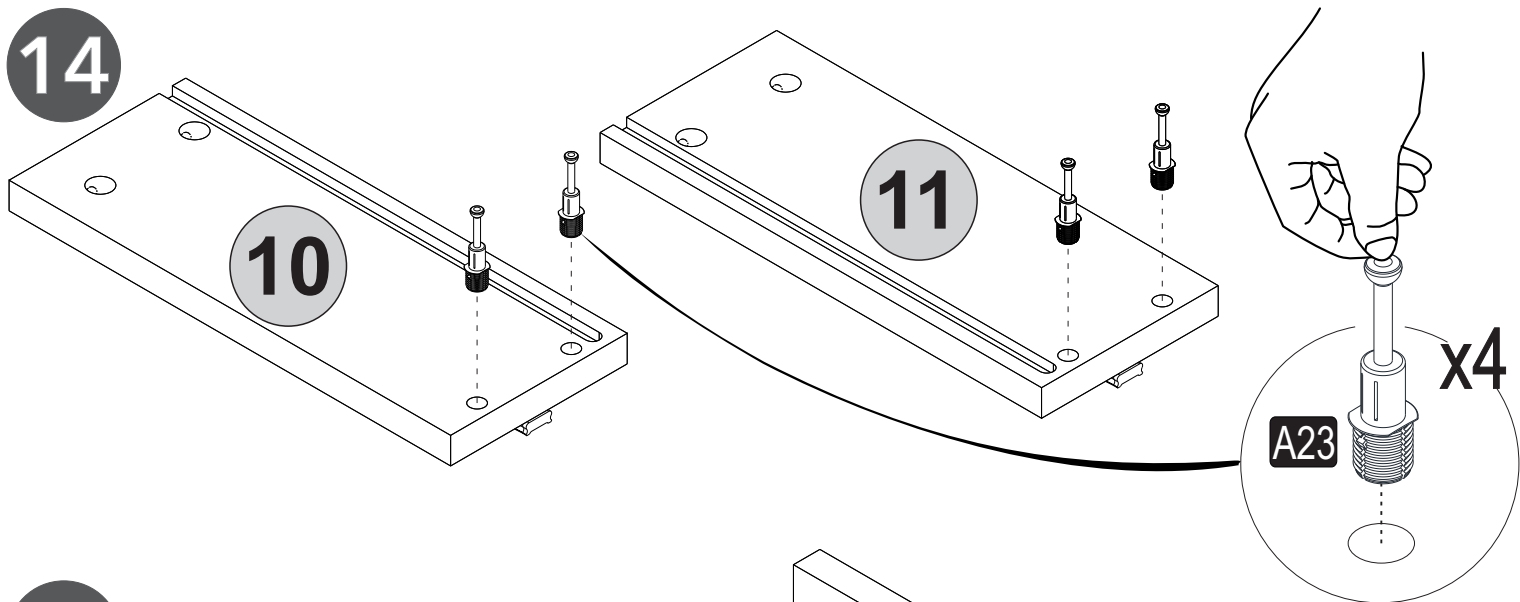
12



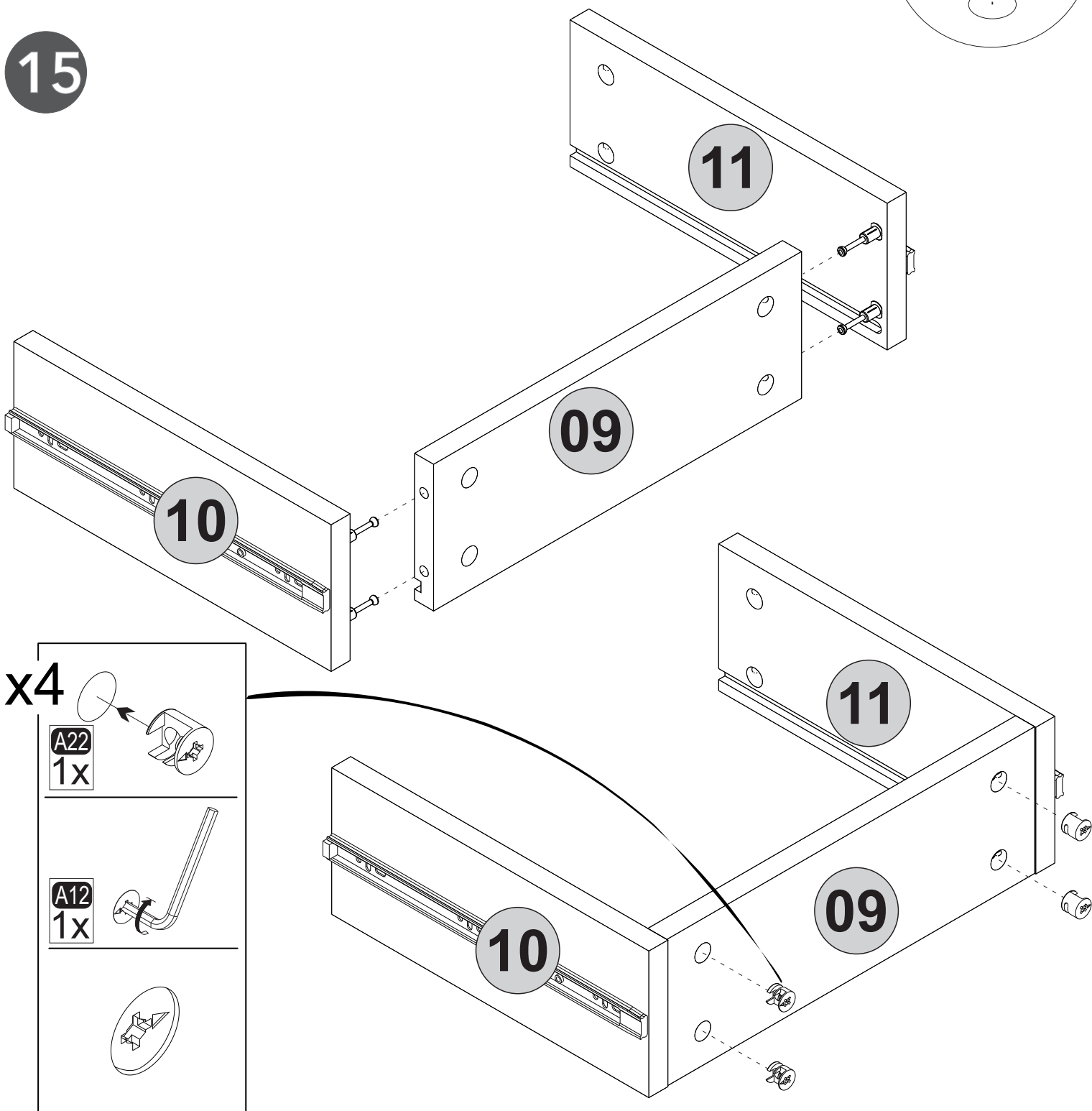
13



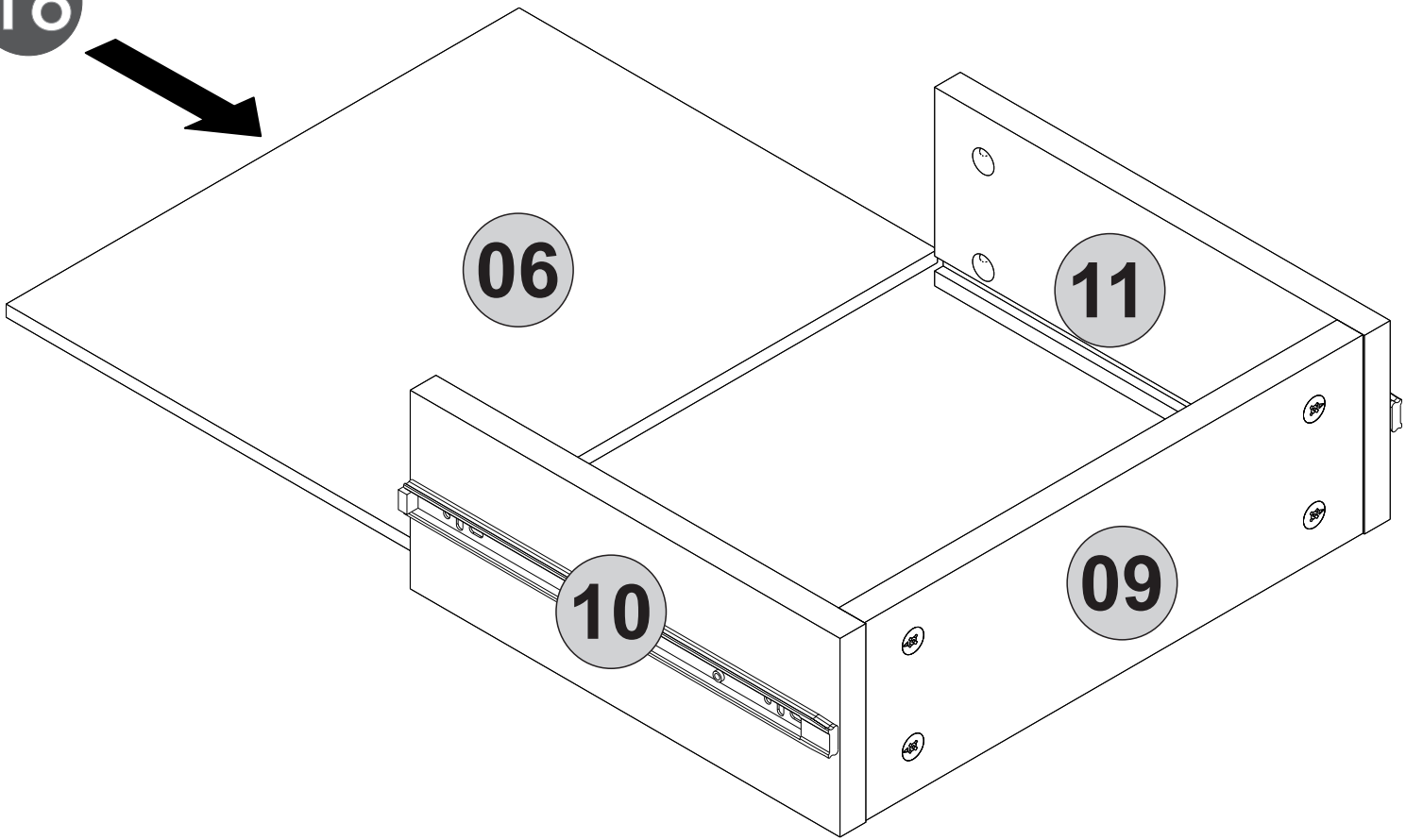
14



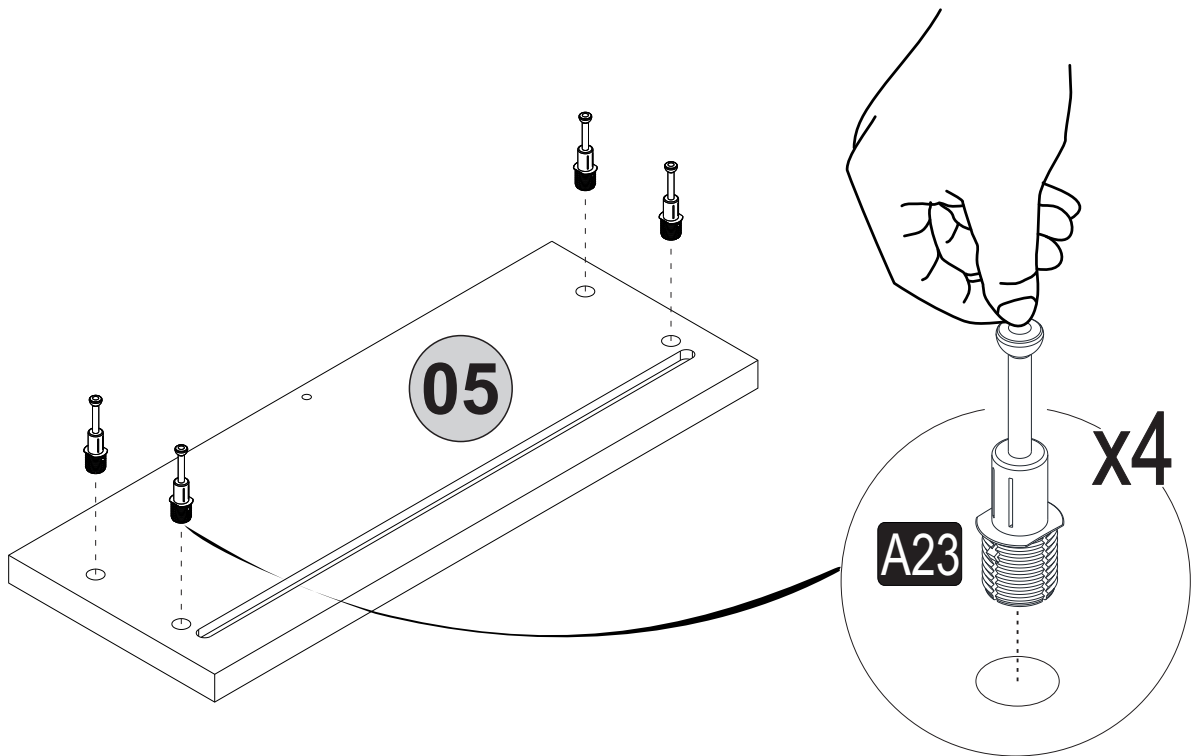
15

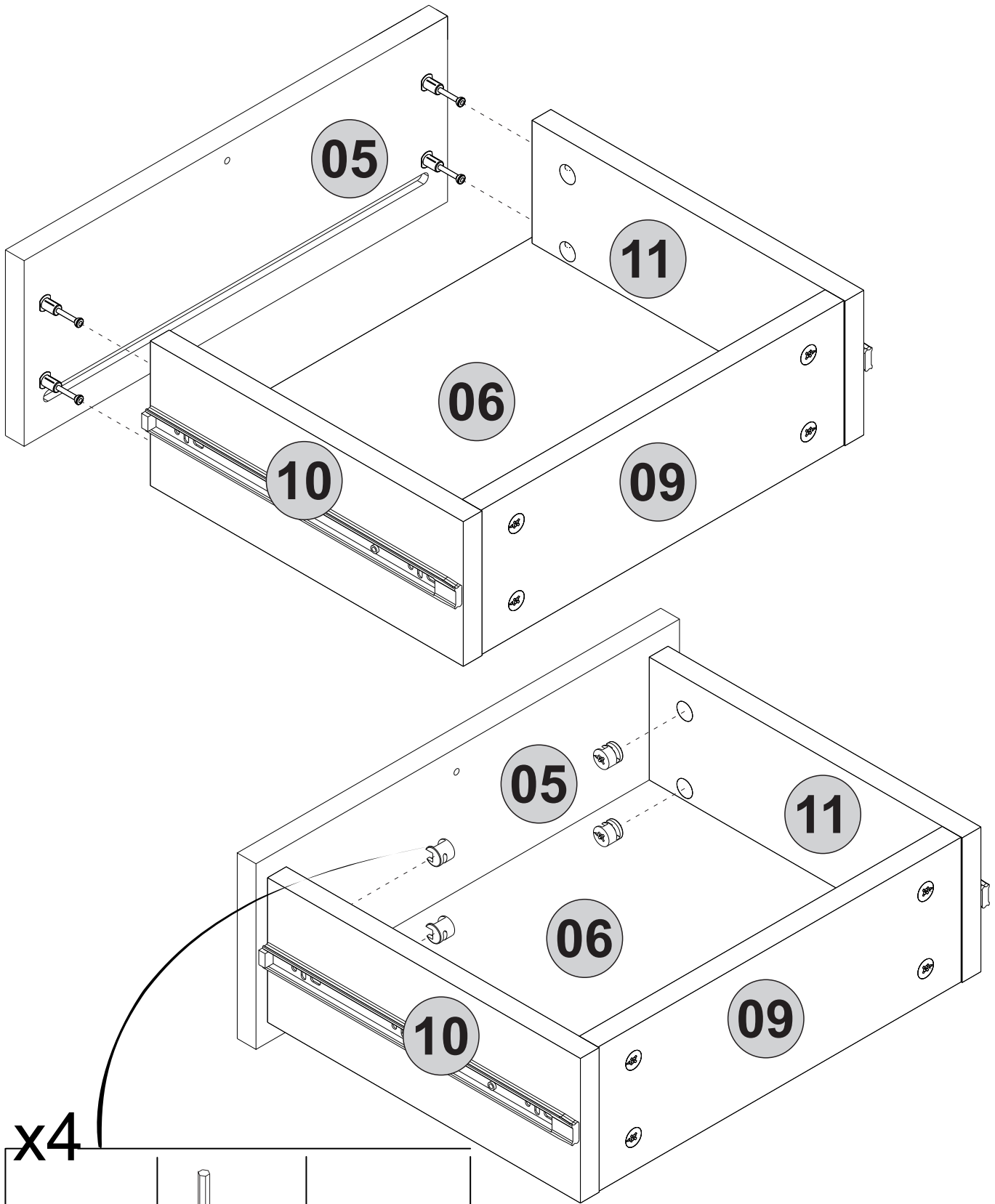


16

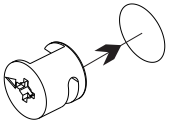

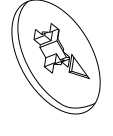


17

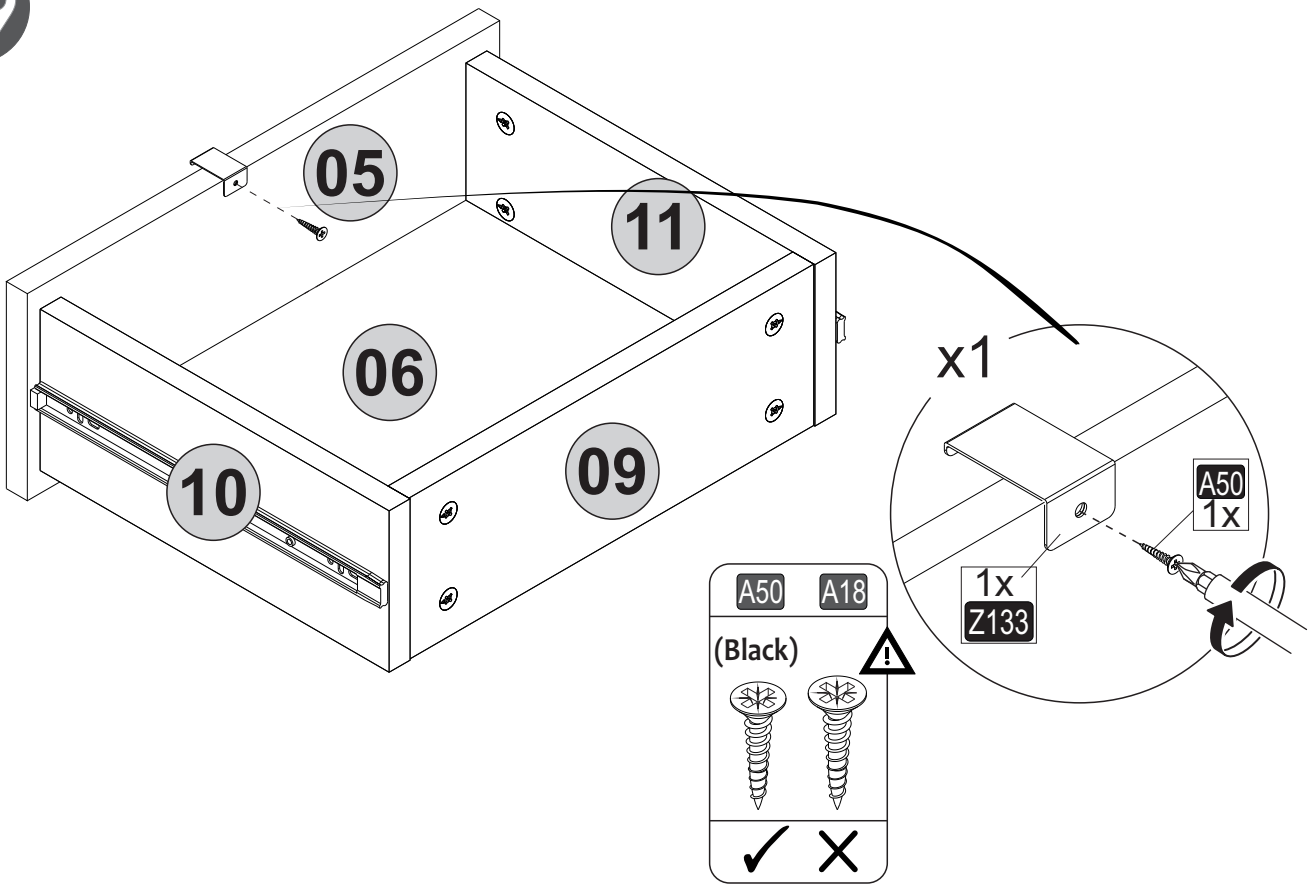




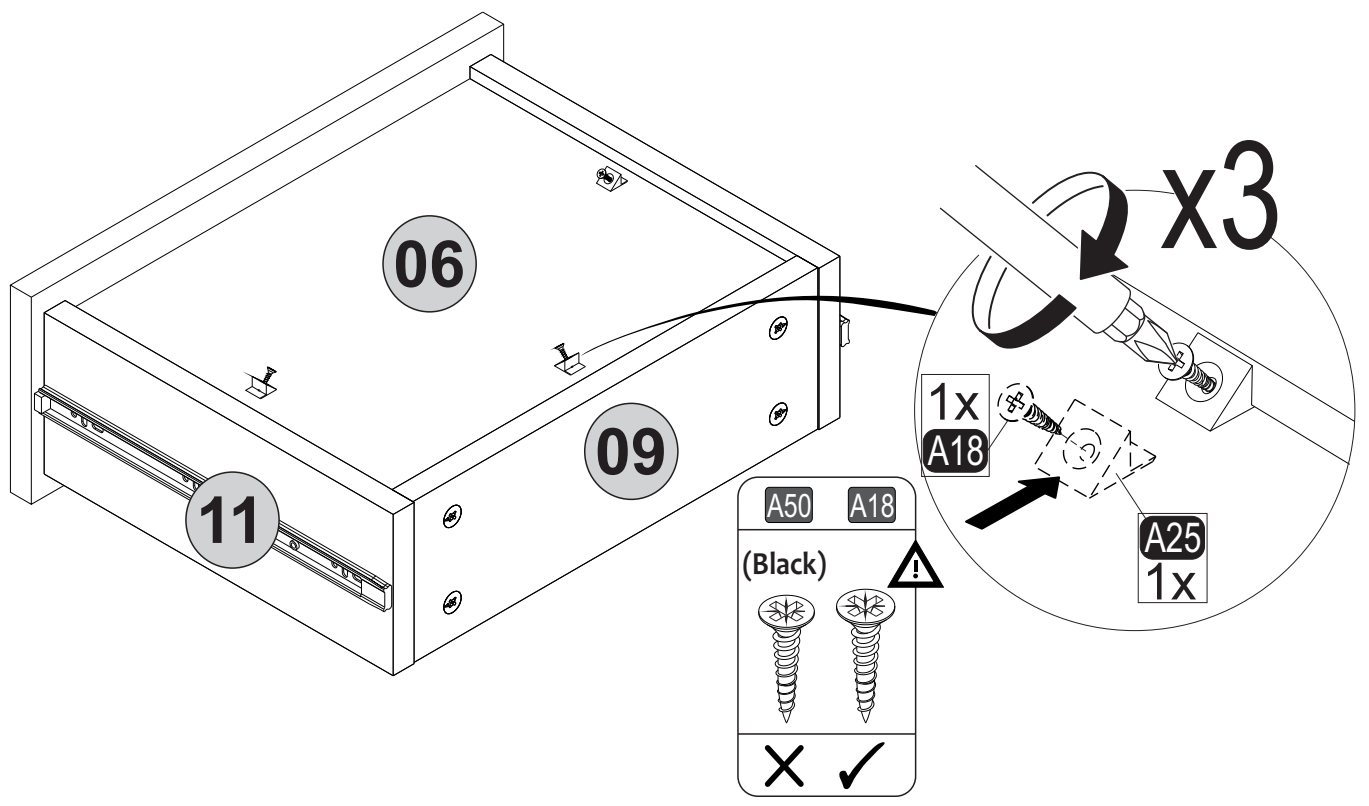
x4

 A22 1x	 A12 1x	 !
---	---	--

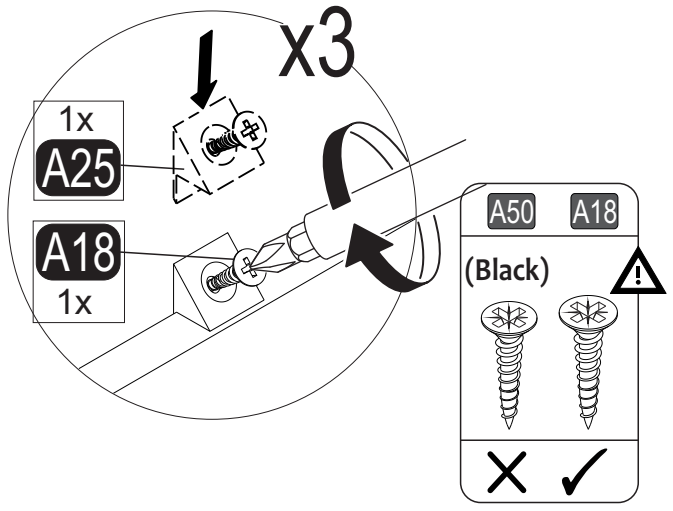
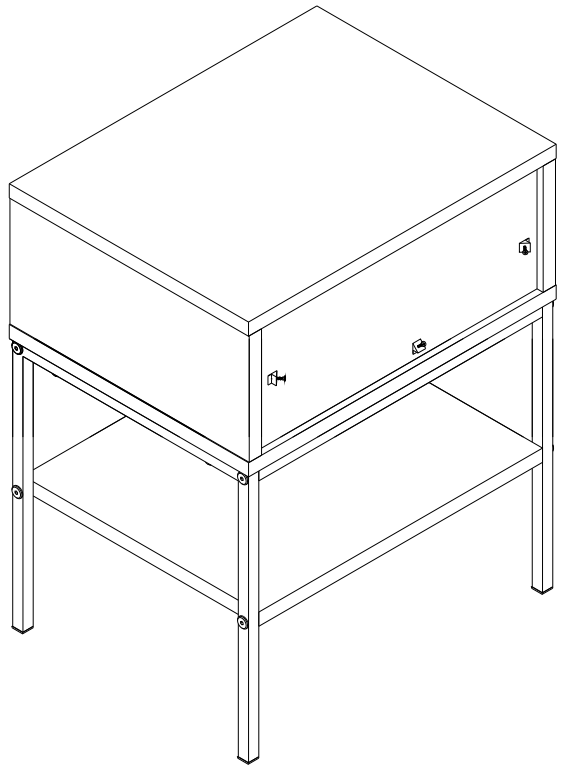
19



20



21



22

