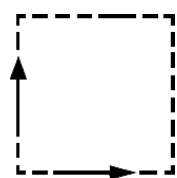


**i** GP037-0348,2

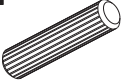

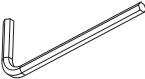


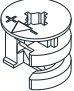
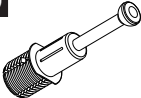
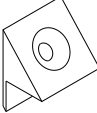



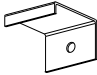

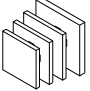
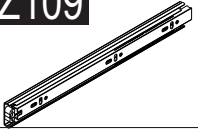
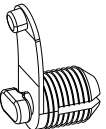


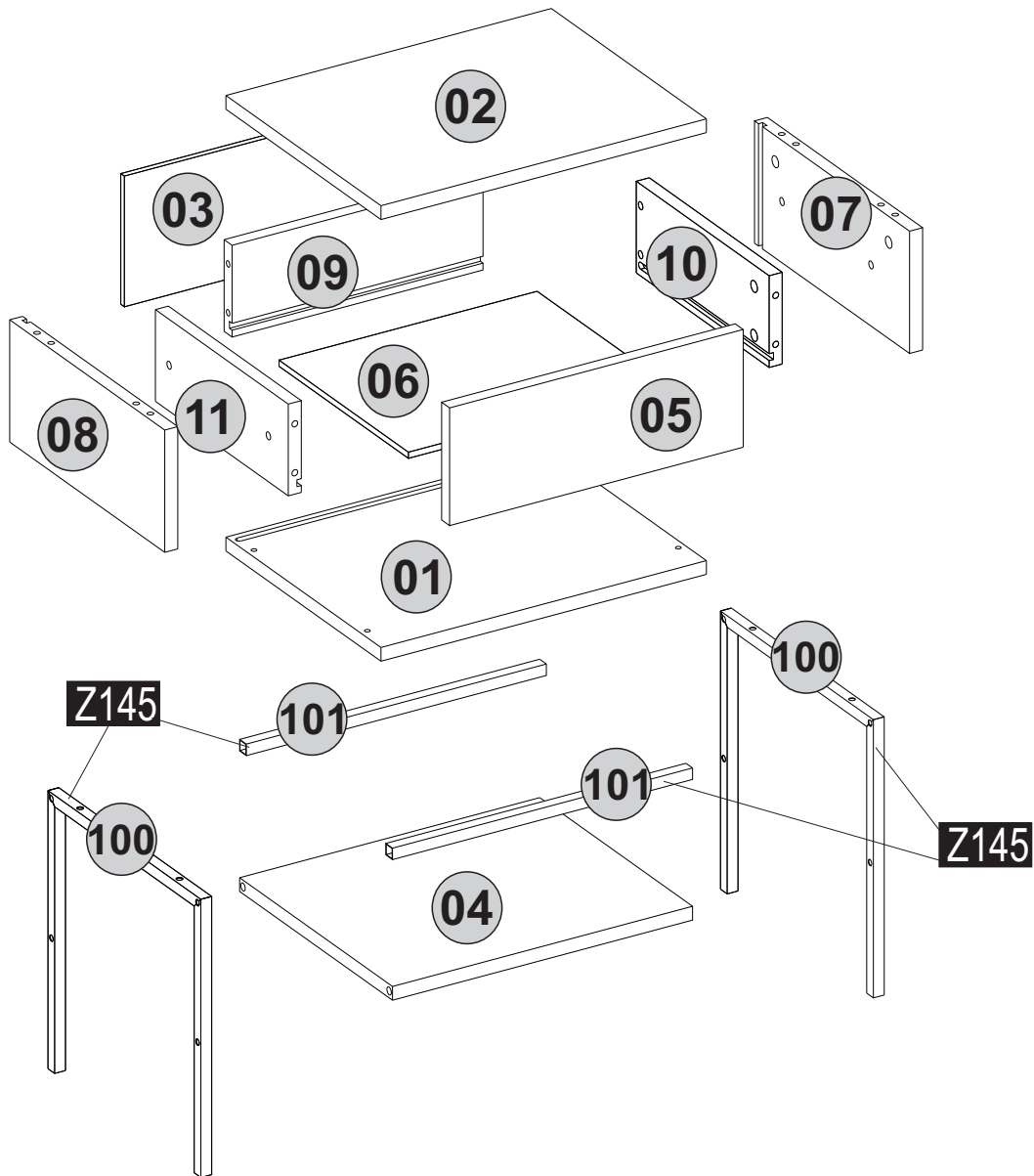
45 x 35 x 56,4cm



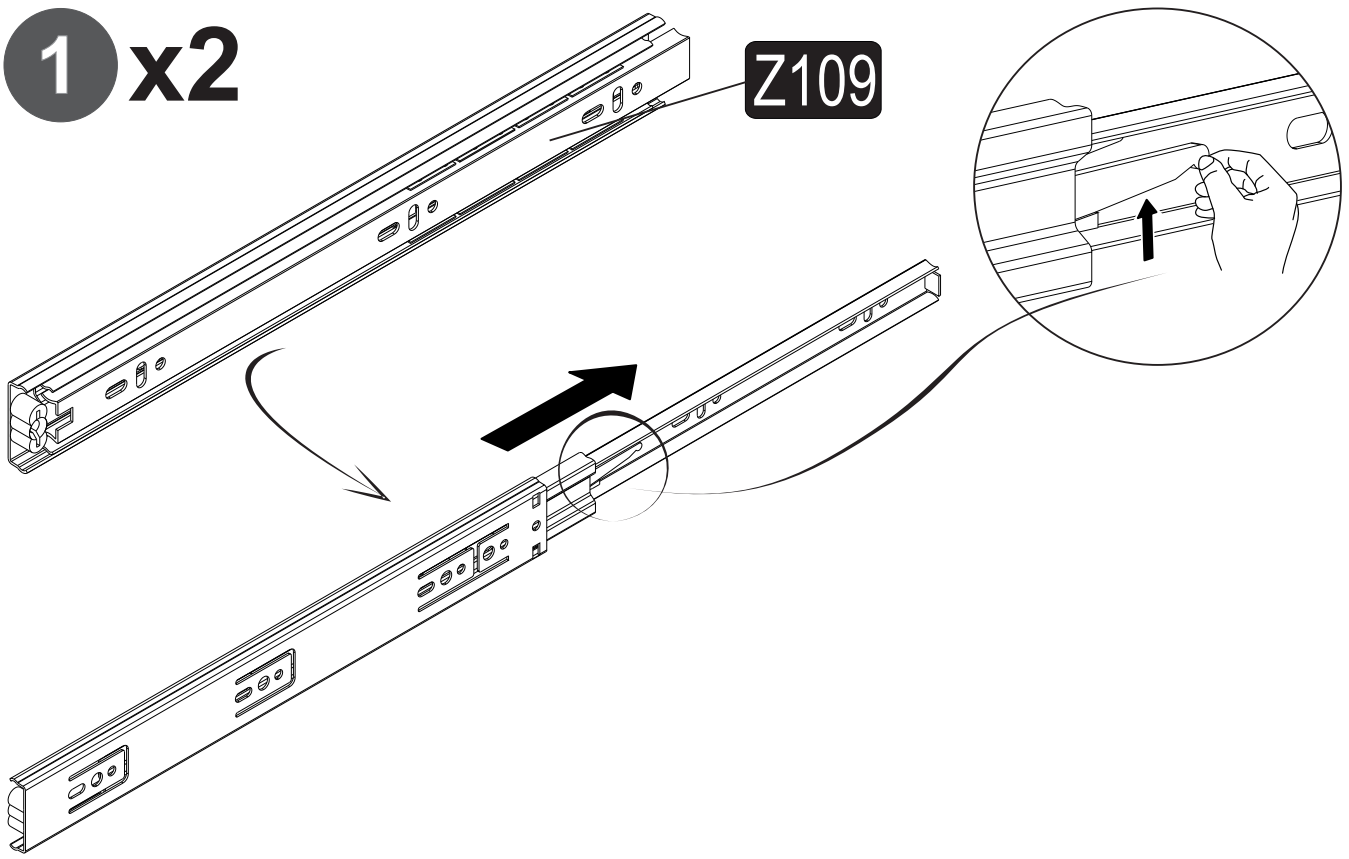
Follow the installation steps in the order as shown.  
 Position the parts as shown in the installation guide steps.

# HARDWARE LIST

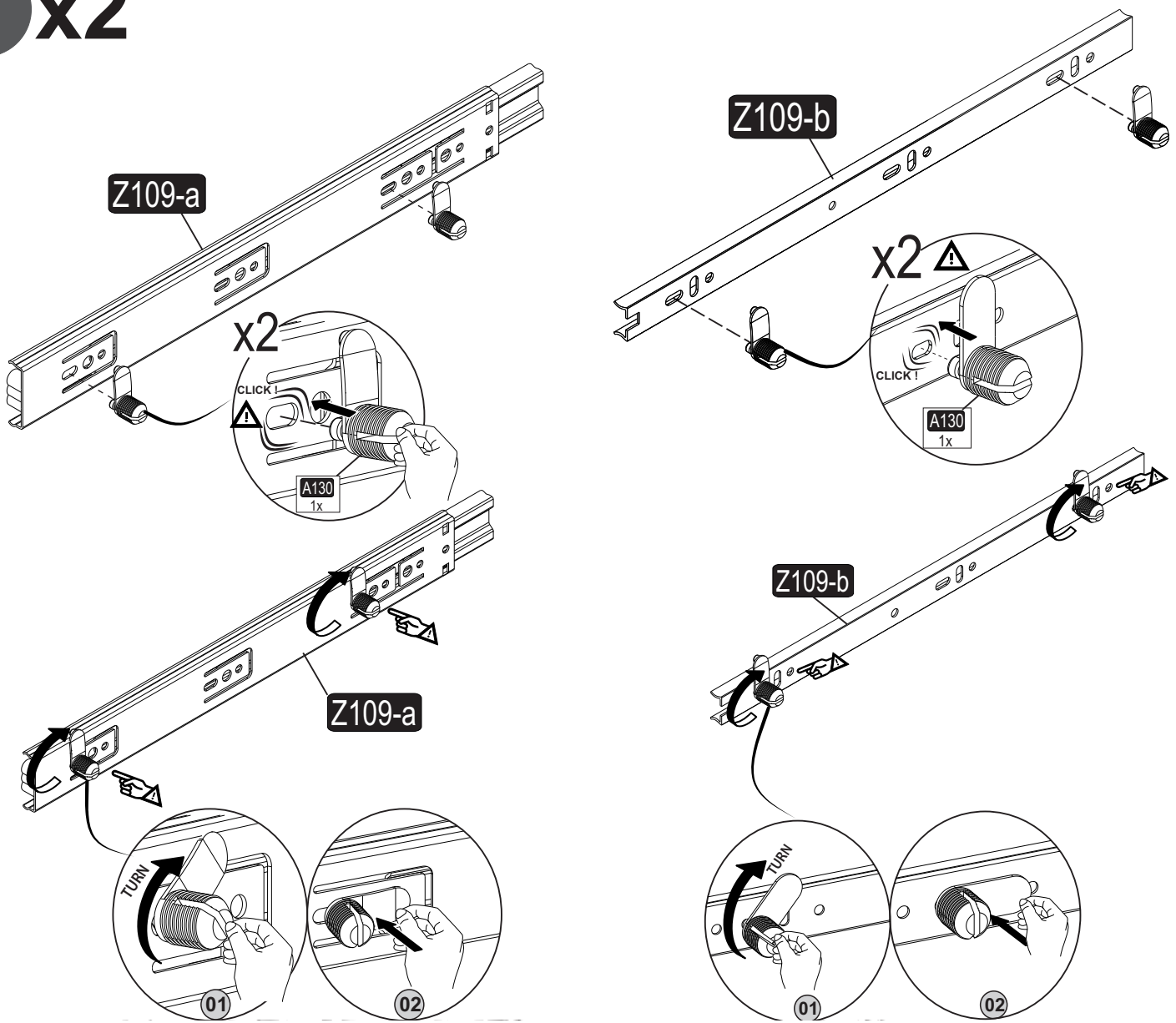
<b>A04</b>  4x	<b>A06</b>  18mm C1-16x	<b>A12</b>  Allen 1x	<b>A13</b>  50mm 4x	<b>A18</b>  3,5x18 6x
<b>A22</b>  Minifix k18 12x	<b>A23</b>  Minifix M10 12x	<b>A25</b>  ARK.PL 6x	<b>A69</b>  P.D. 8x	<b>B13</b>  25 (black)mm 12x
<b>A50</b>  3,5x16 (BLACK) 1x	<b>Z133</b>  MK 1x	<b>Z145</b>  LKM 100-2x 101-2x	<b>Z21</b>  15x15x18 4x	<b>Z109</b>  35x300 TR 1x
				<b>A130</b>  T.R.D. 8x



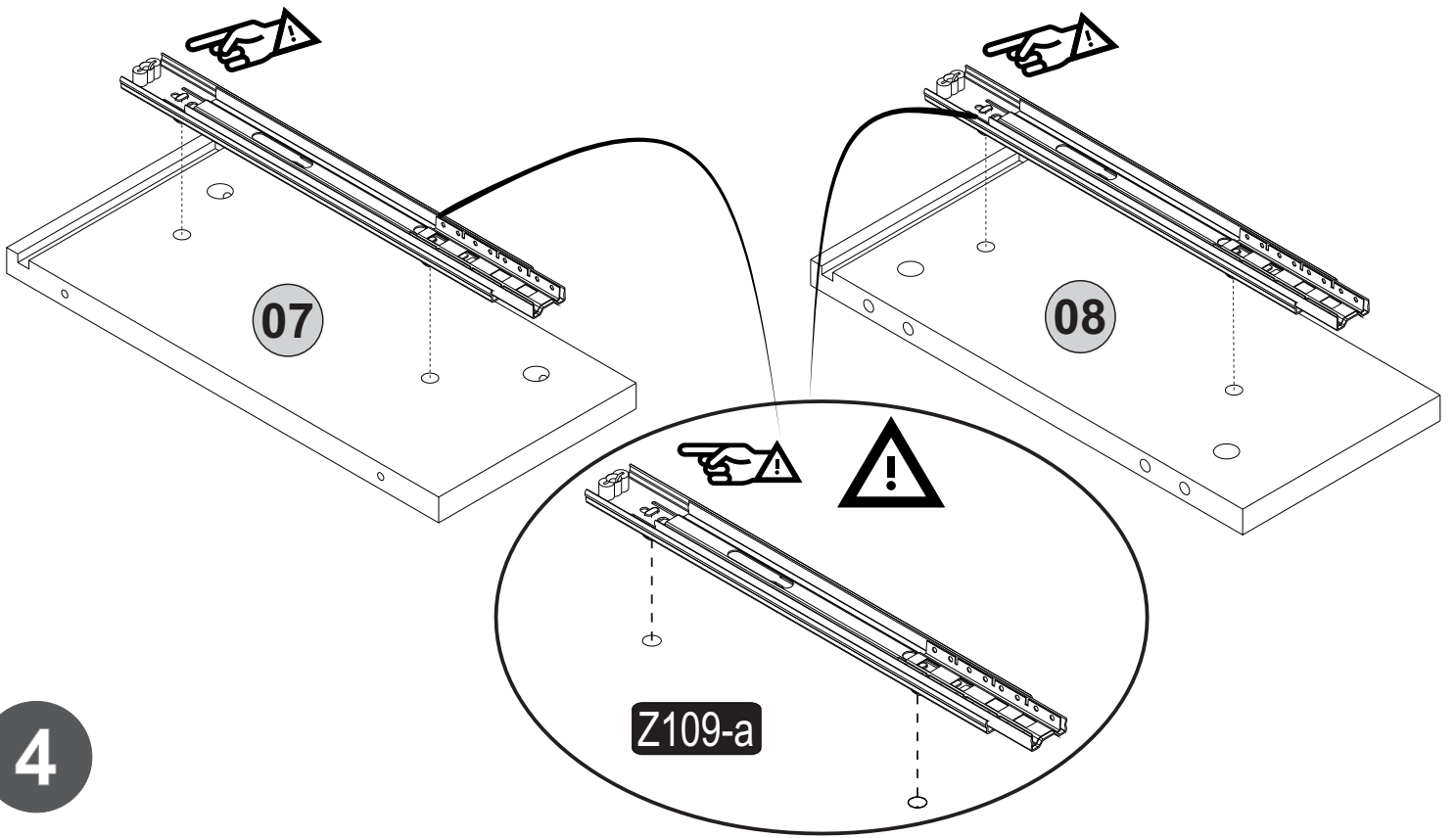
**1** x2



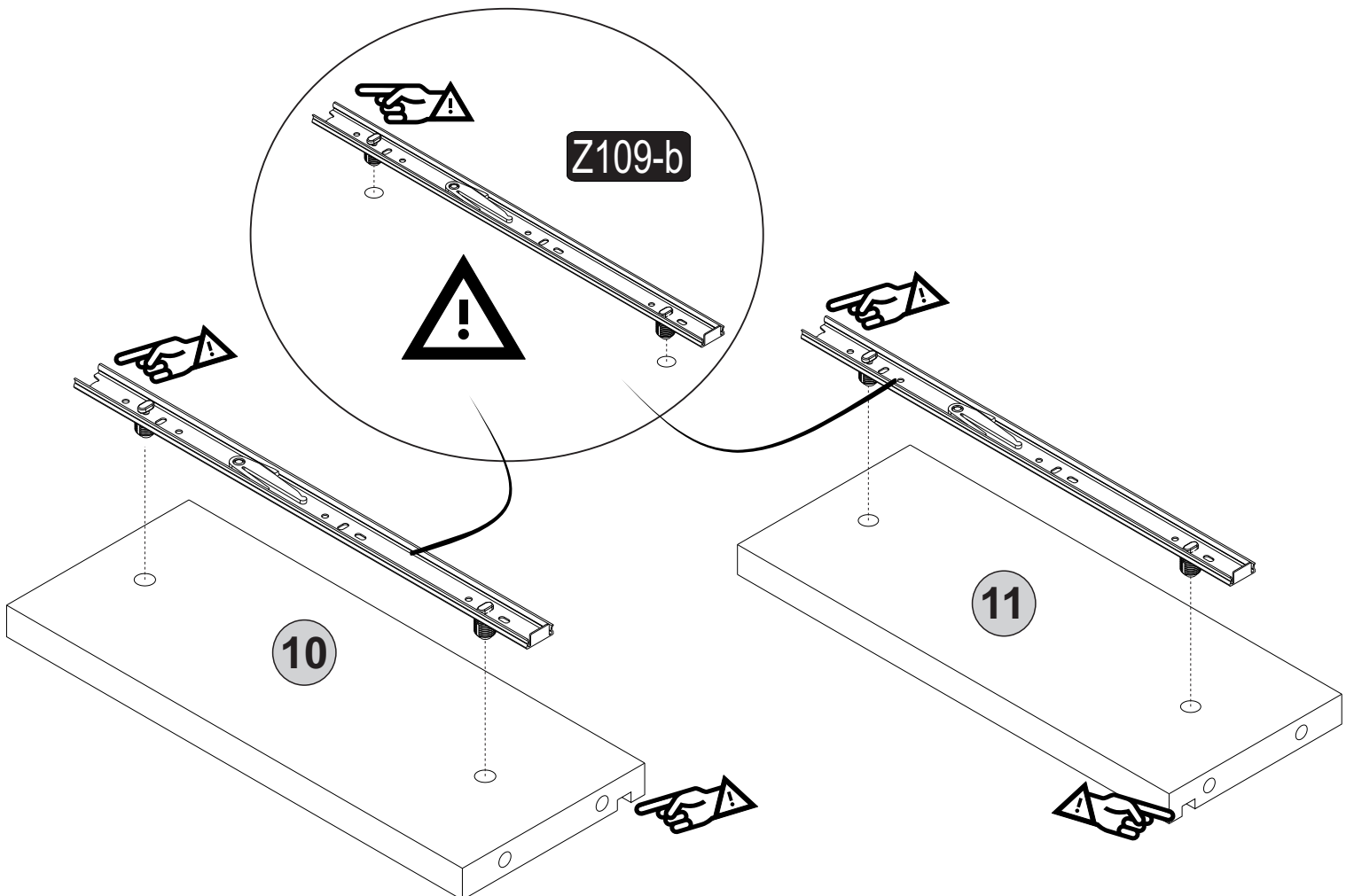
**2** x2

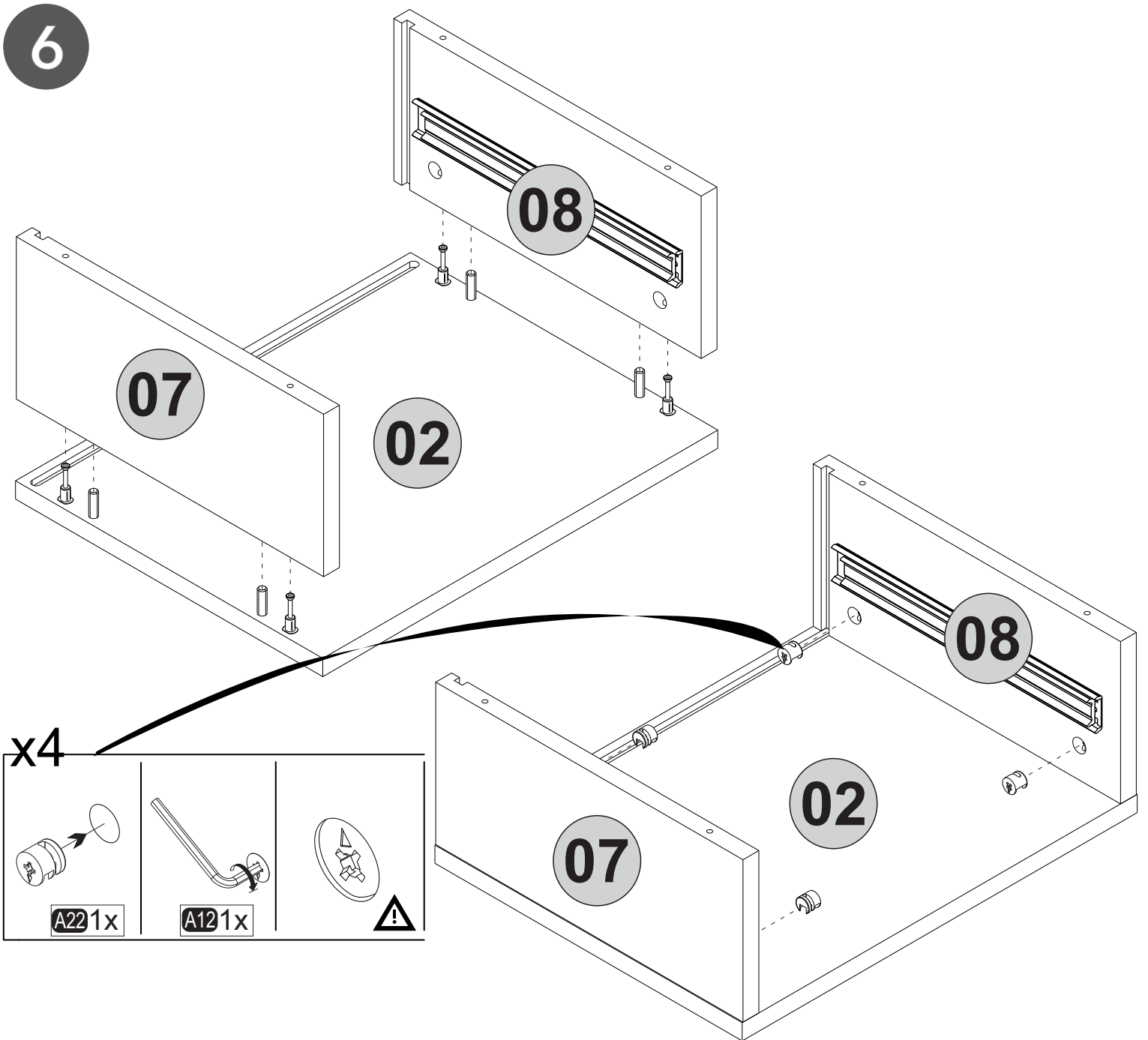
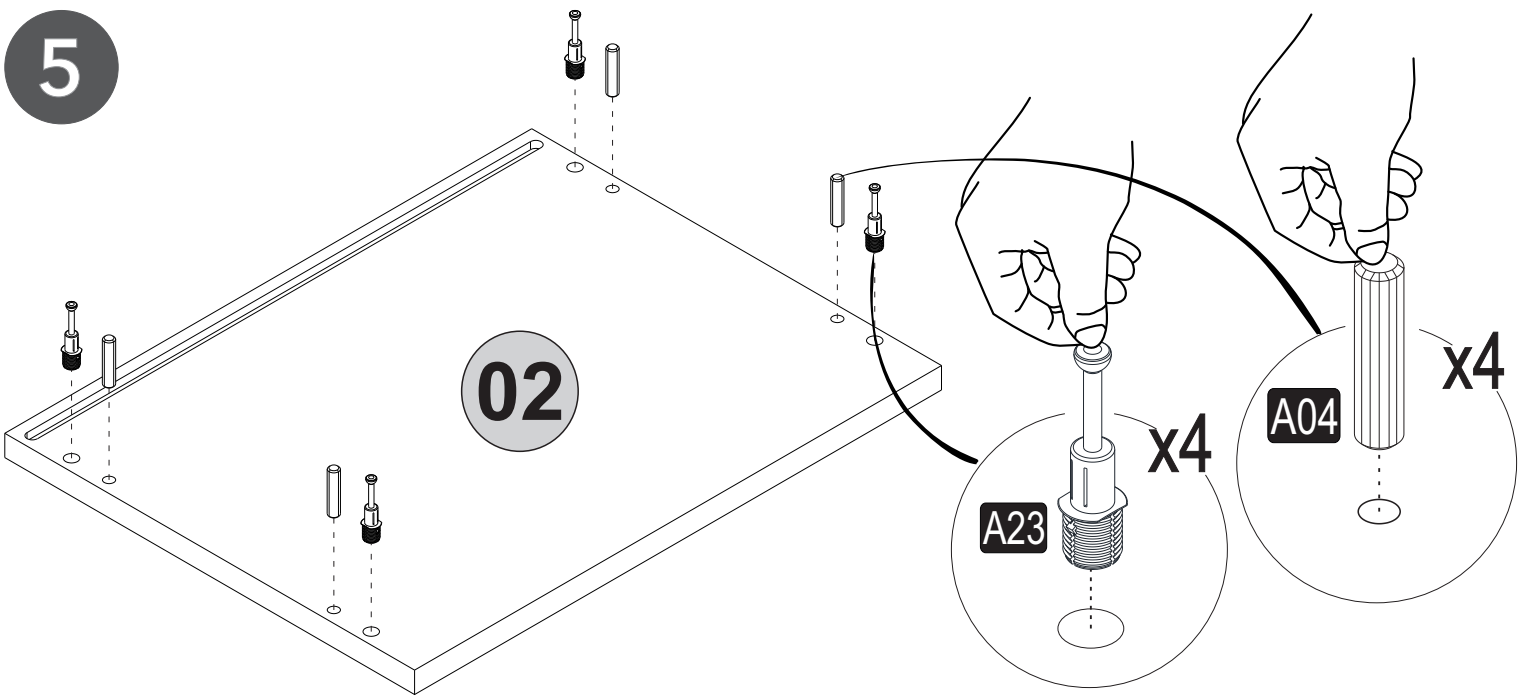


3

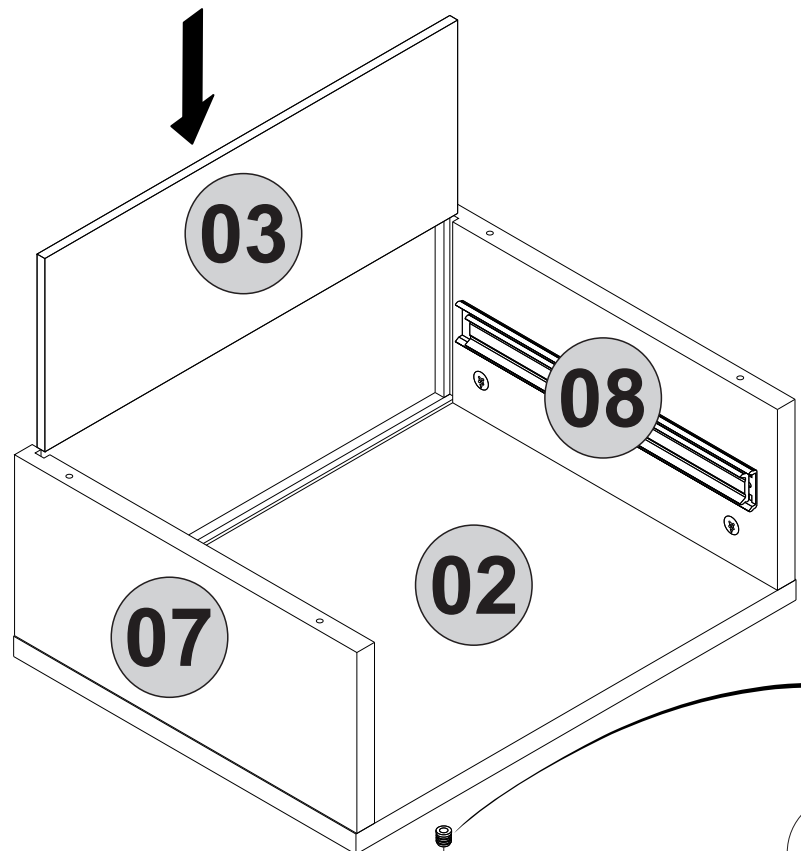


4

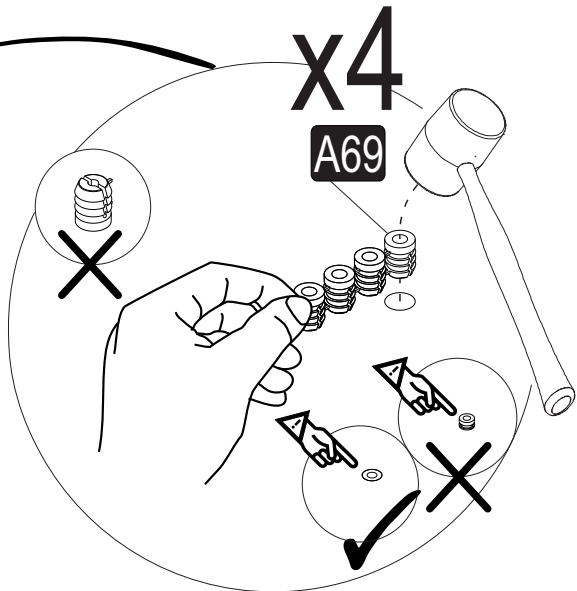
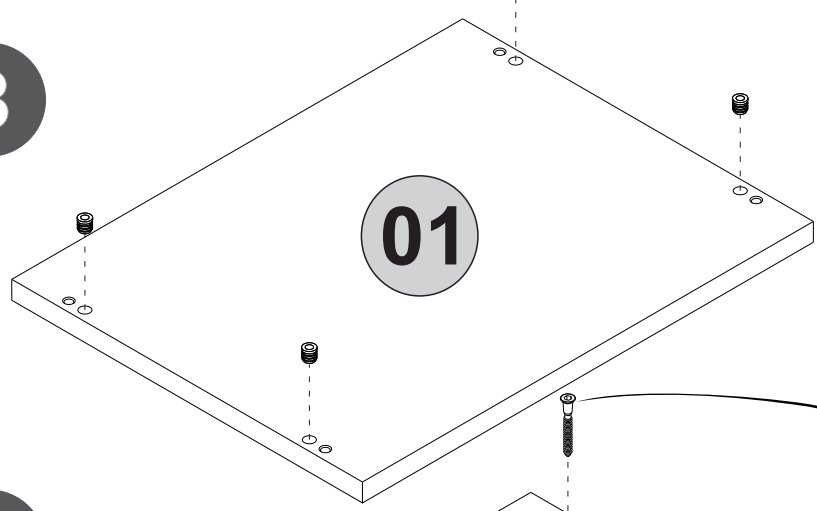




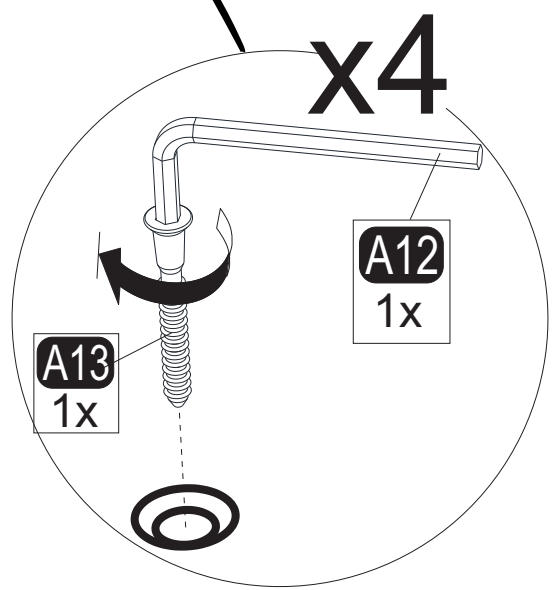
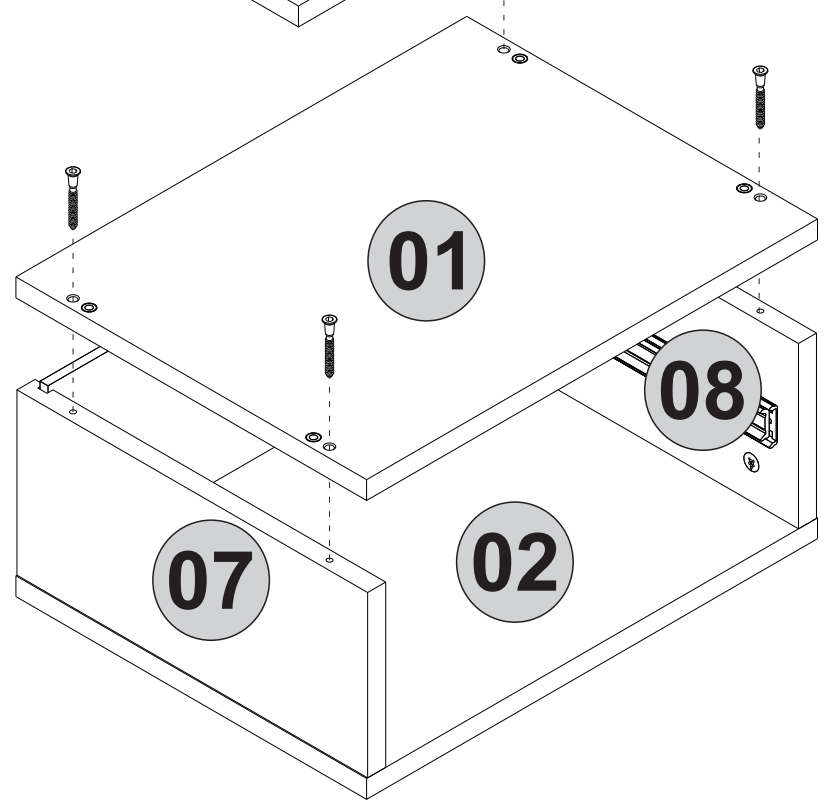
7



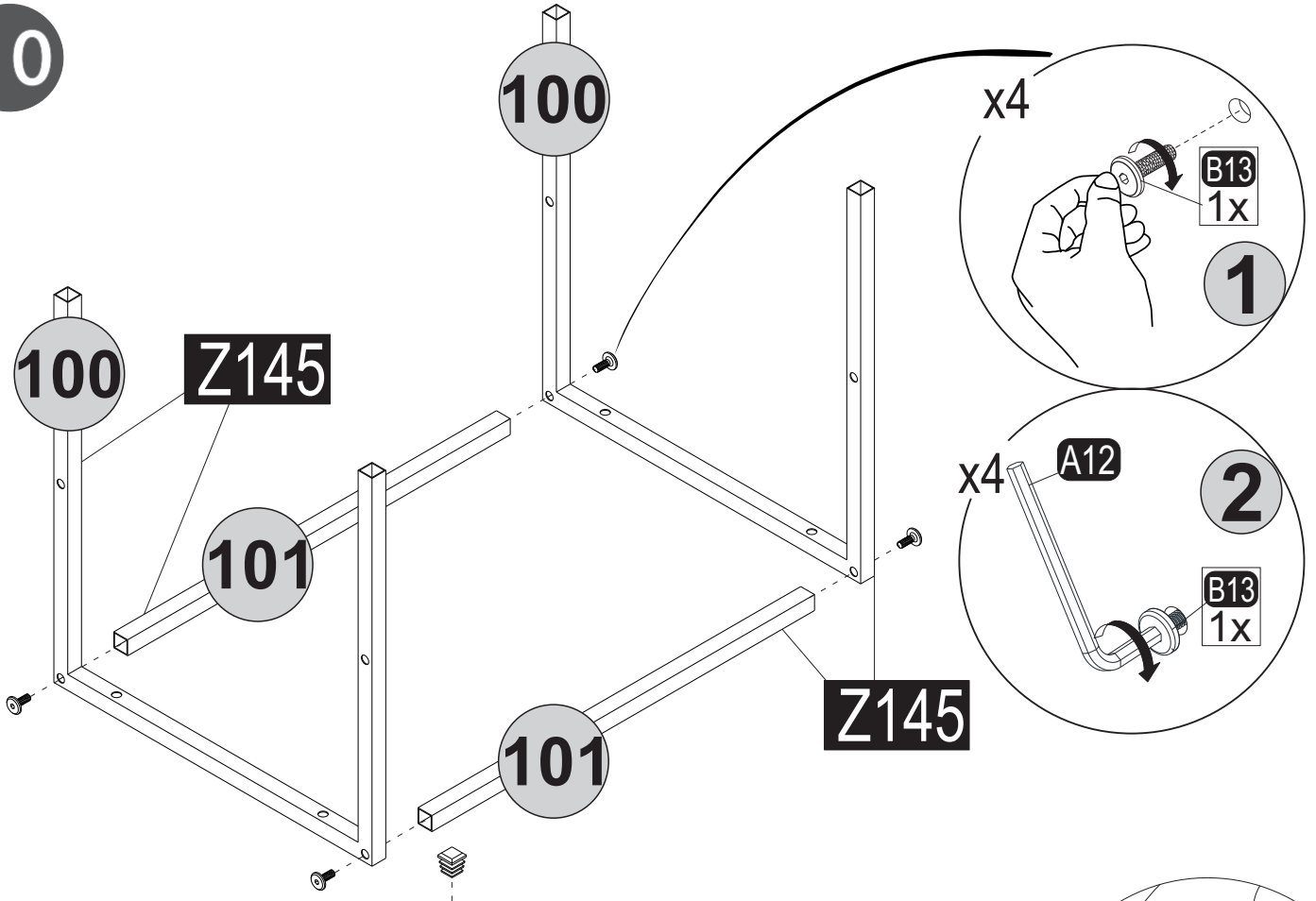
8



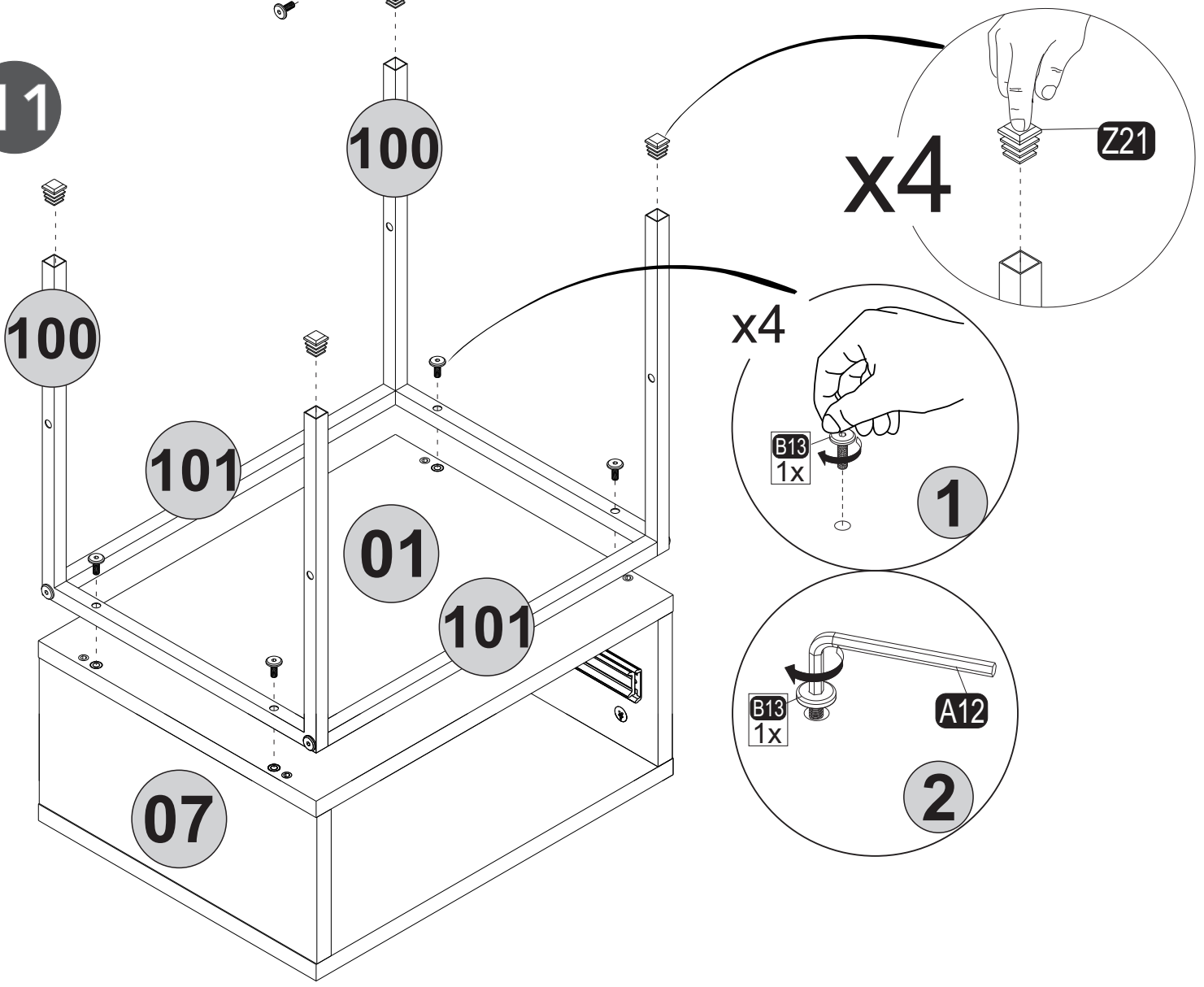
9



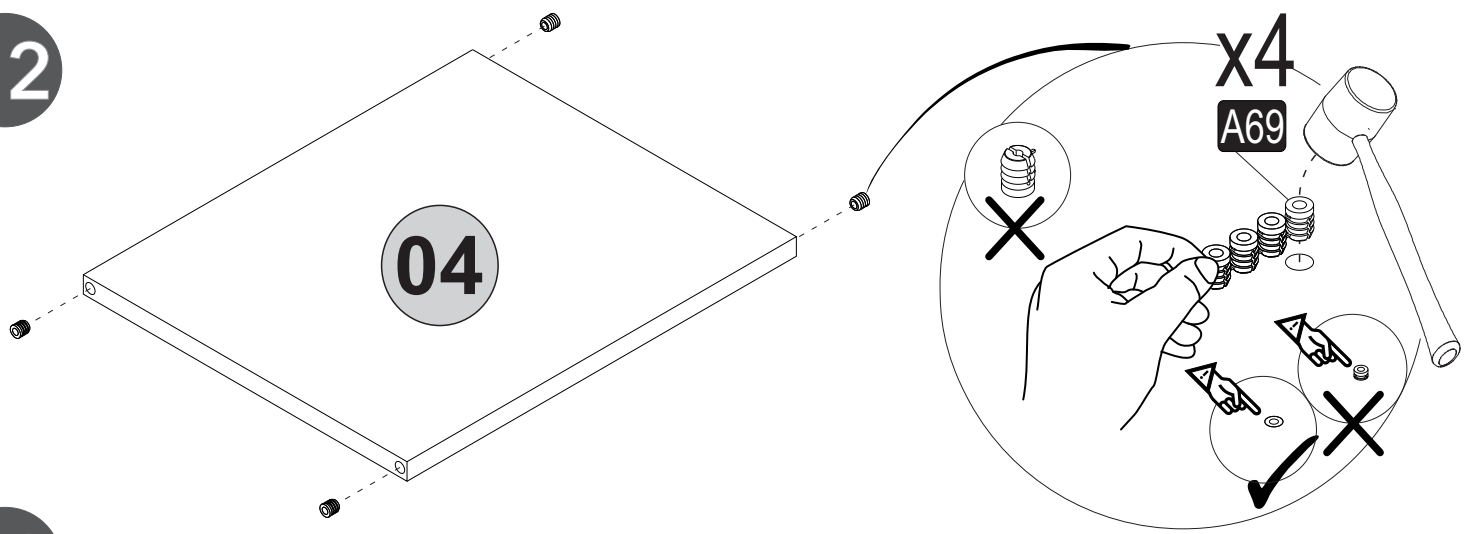
10



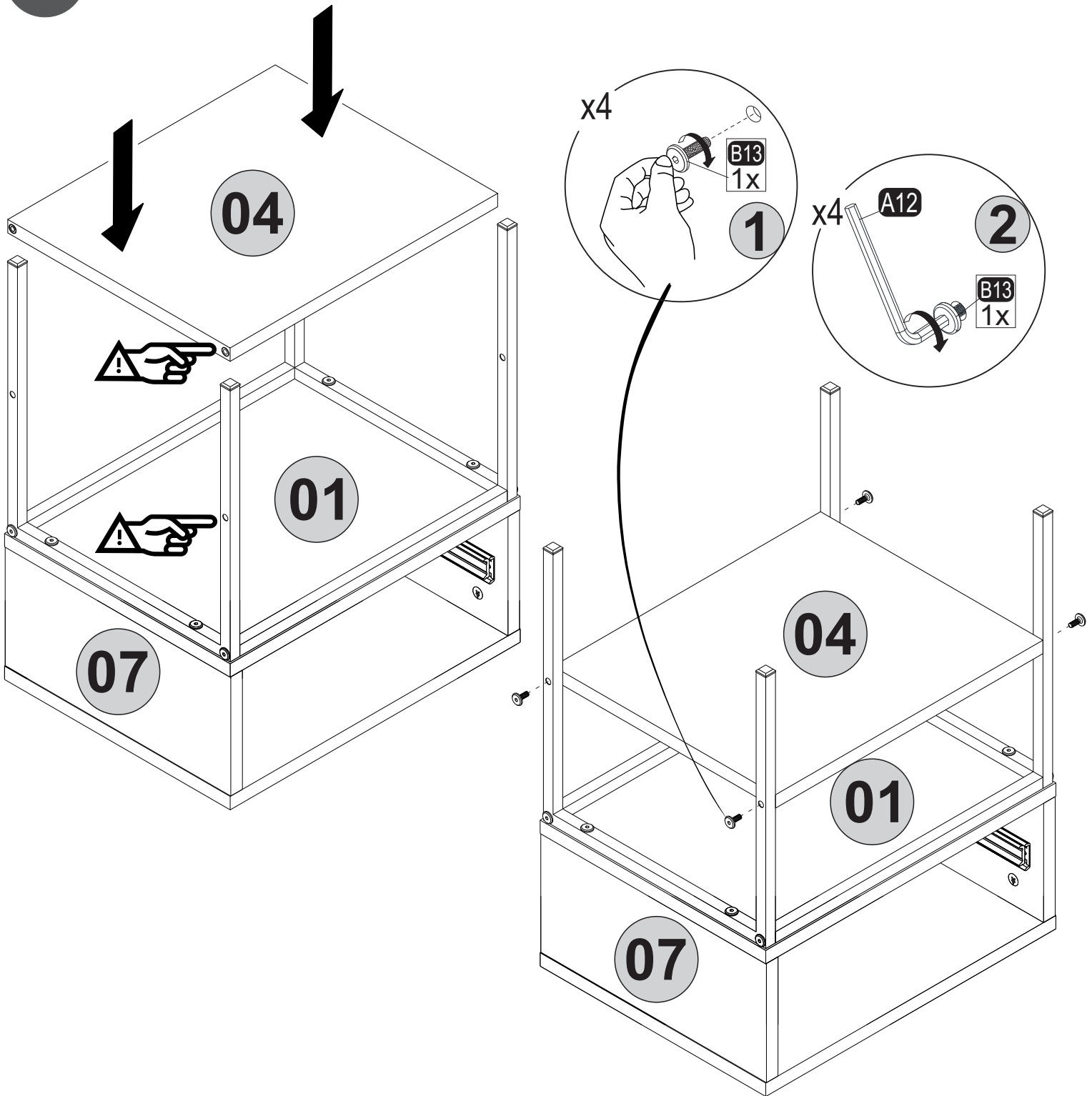
11



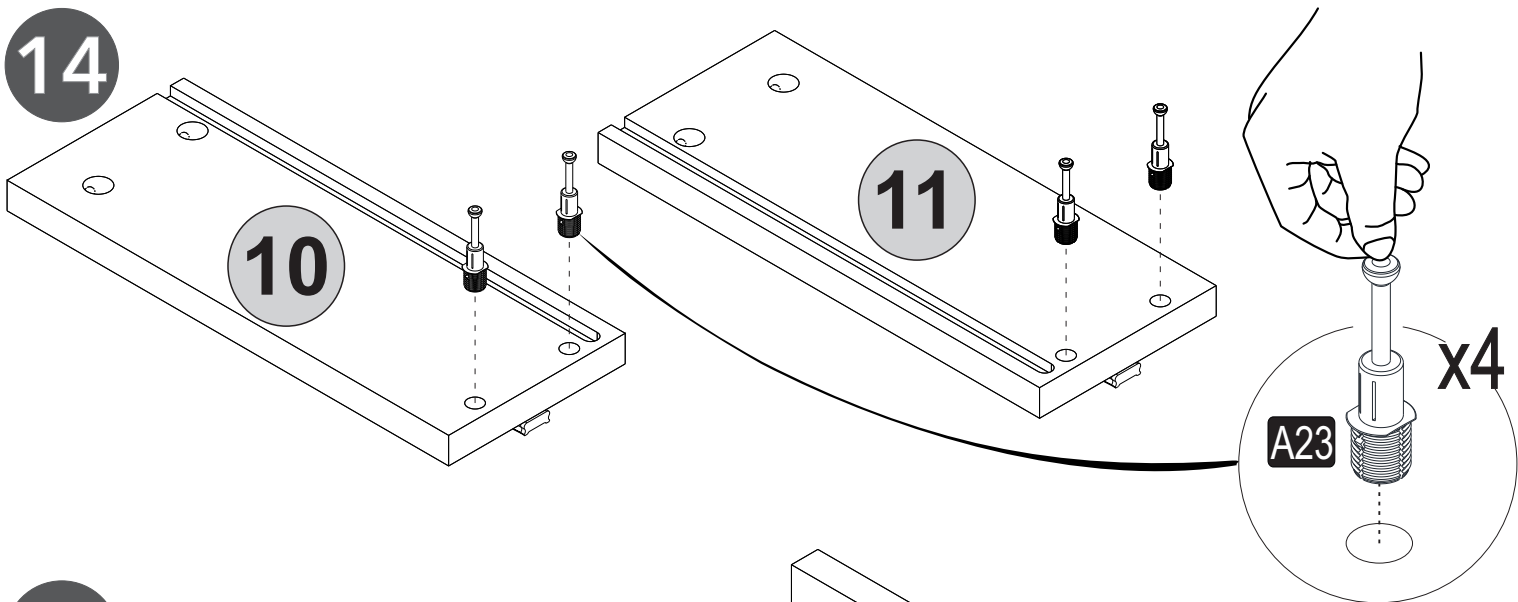
12



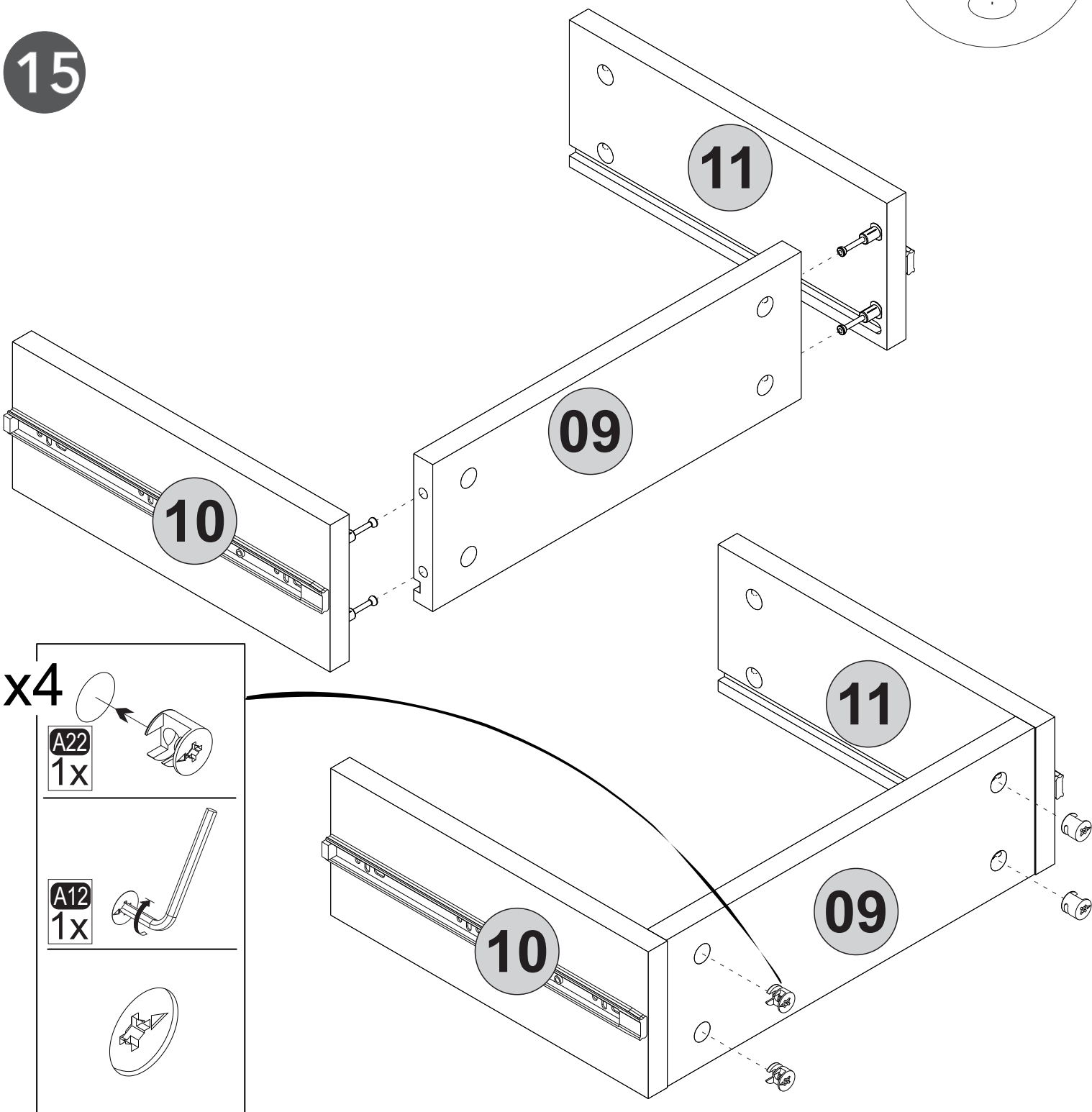
13



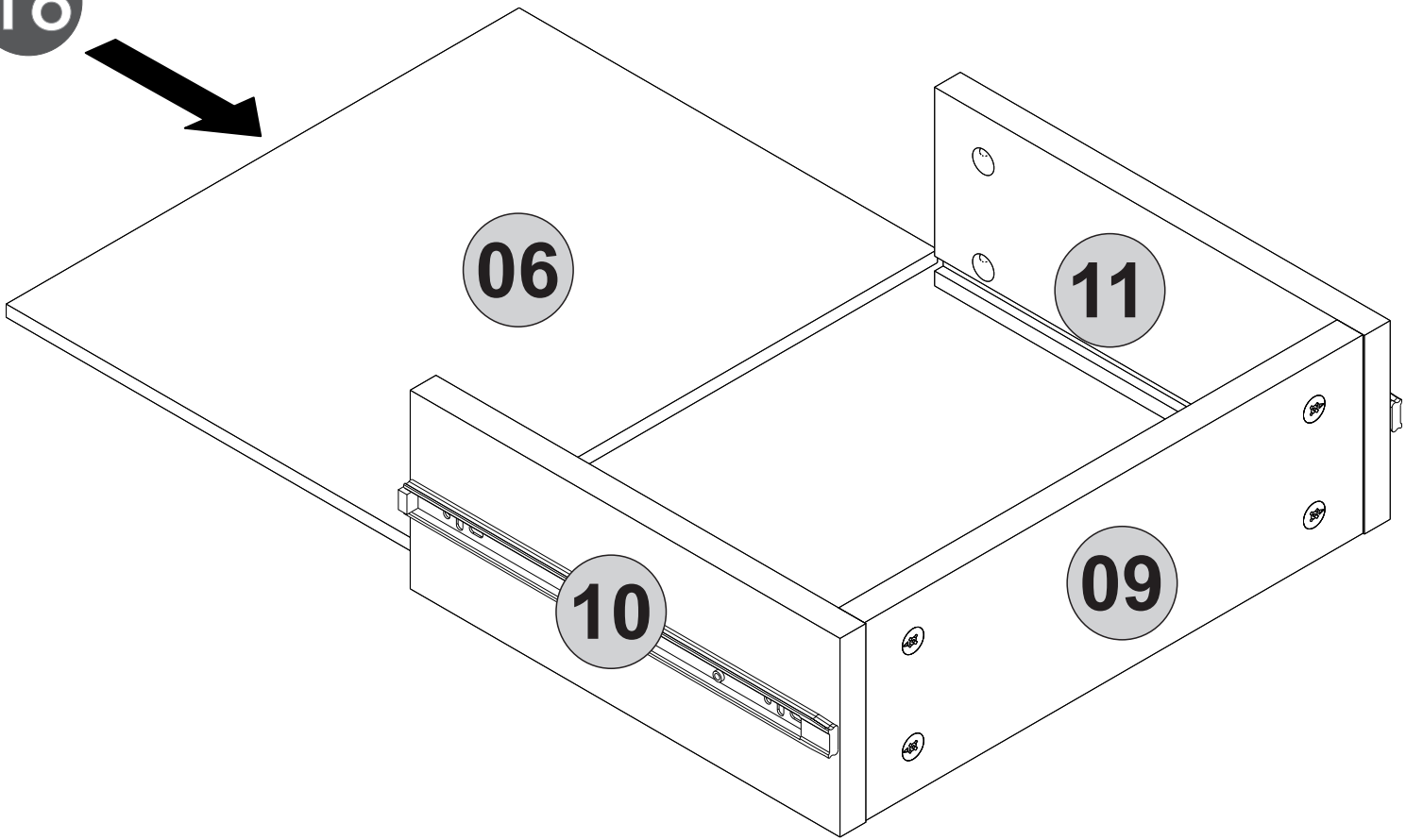
14



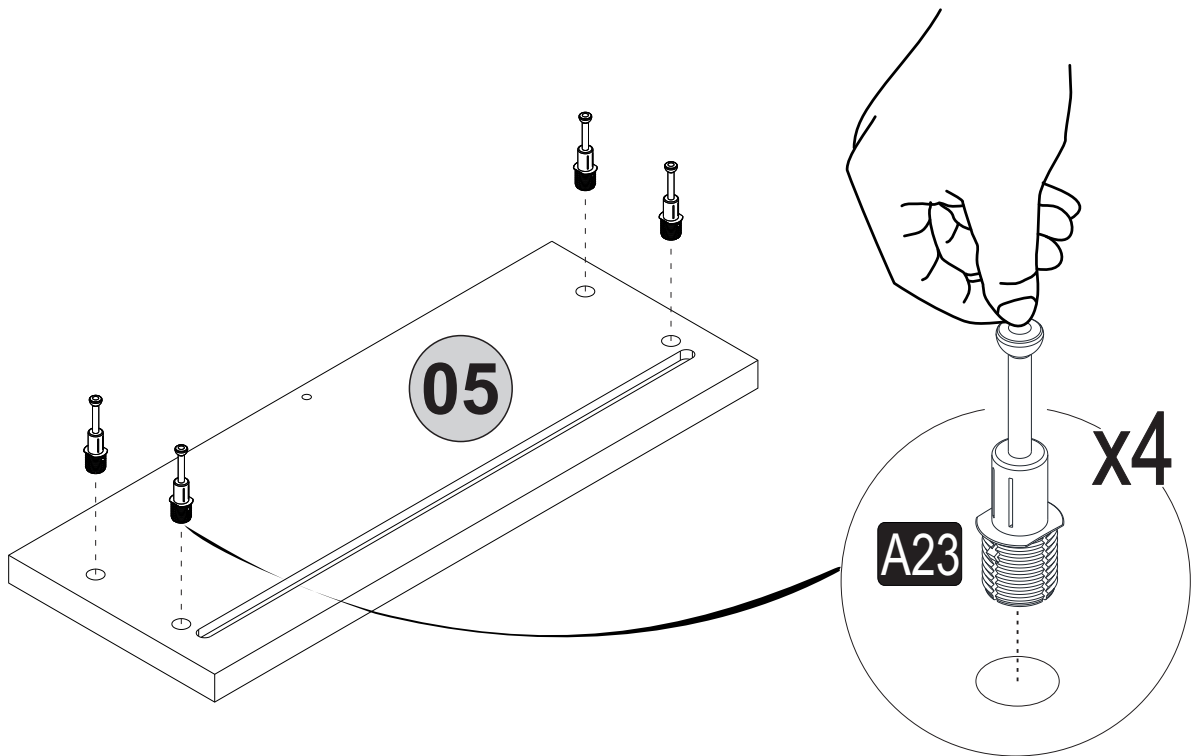
15

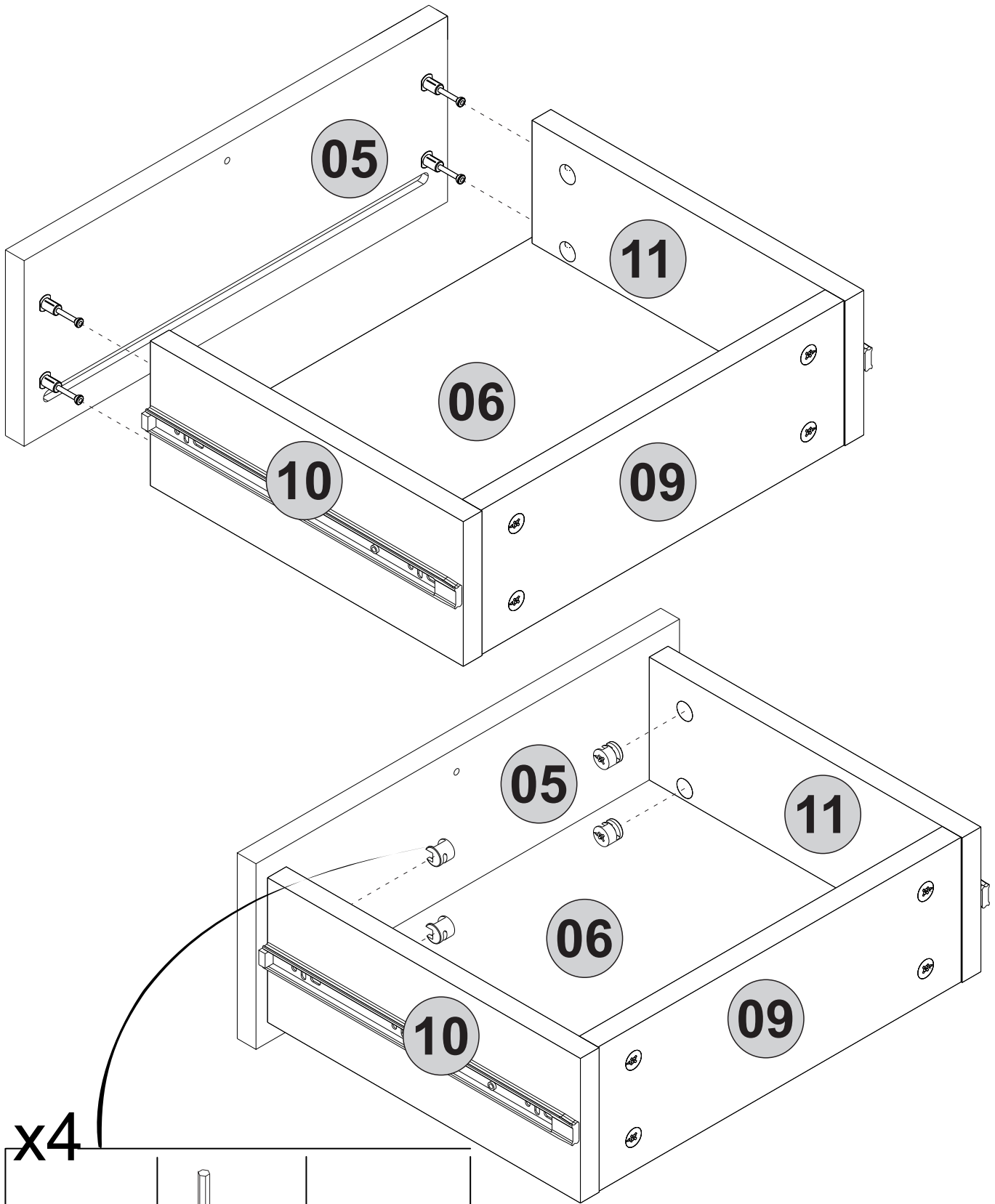


16

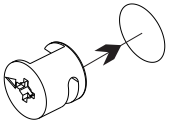

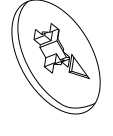


17

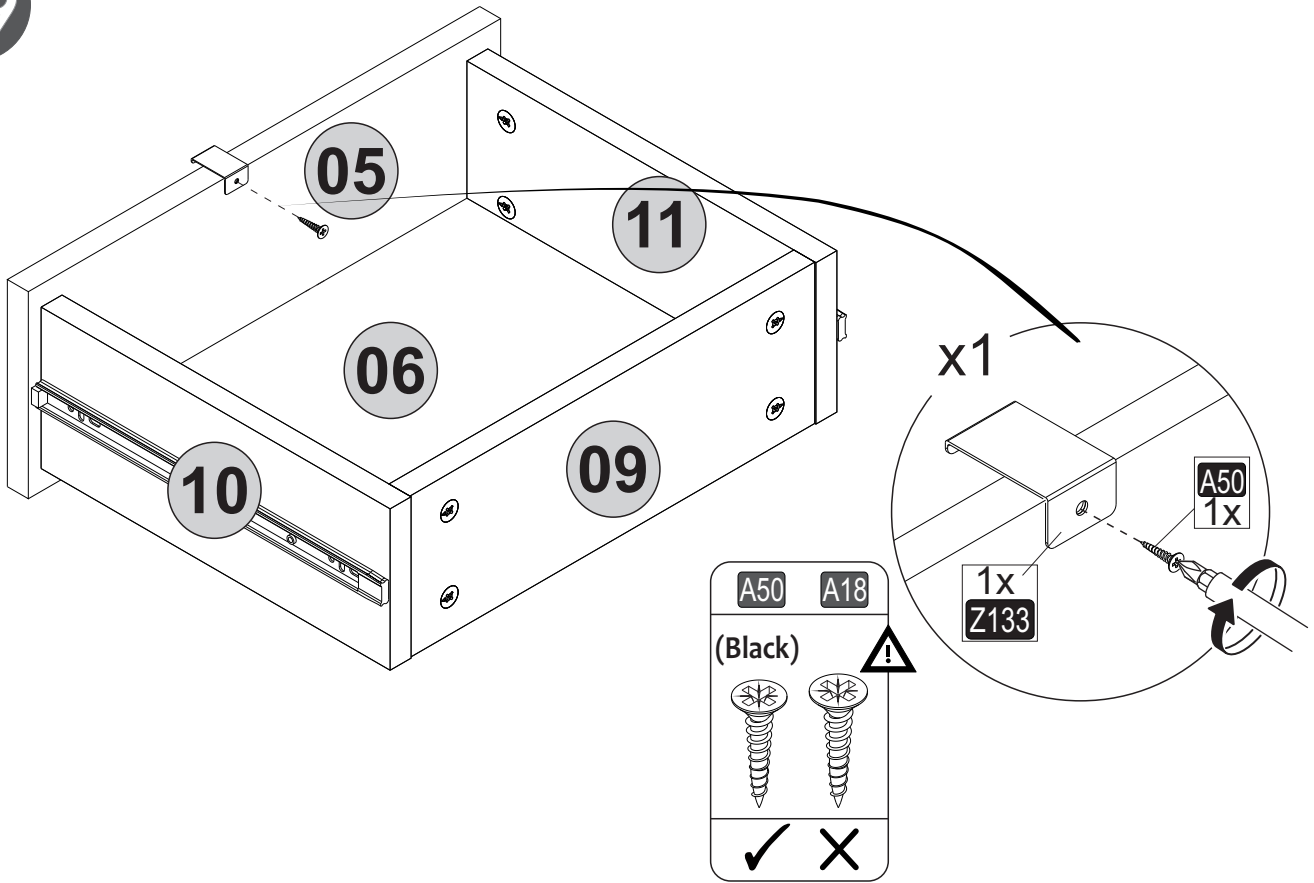




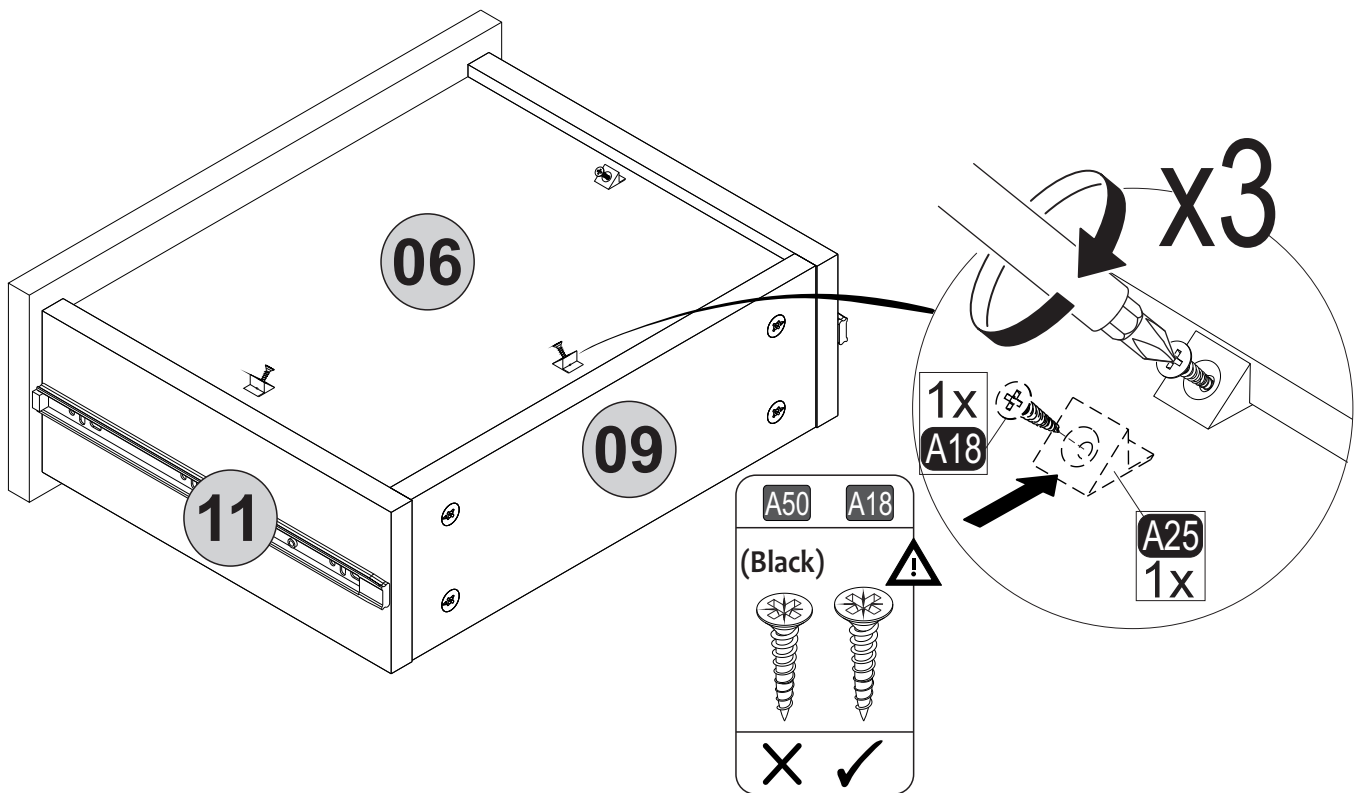
x4

 A22 1x	 A12 1x	
---	---	---

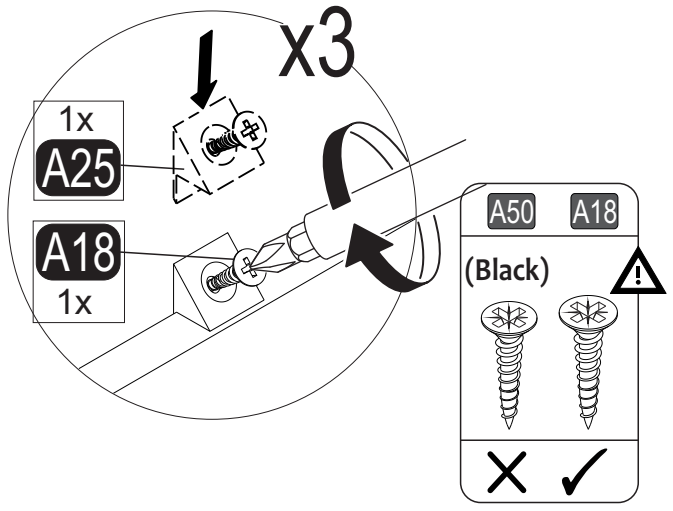
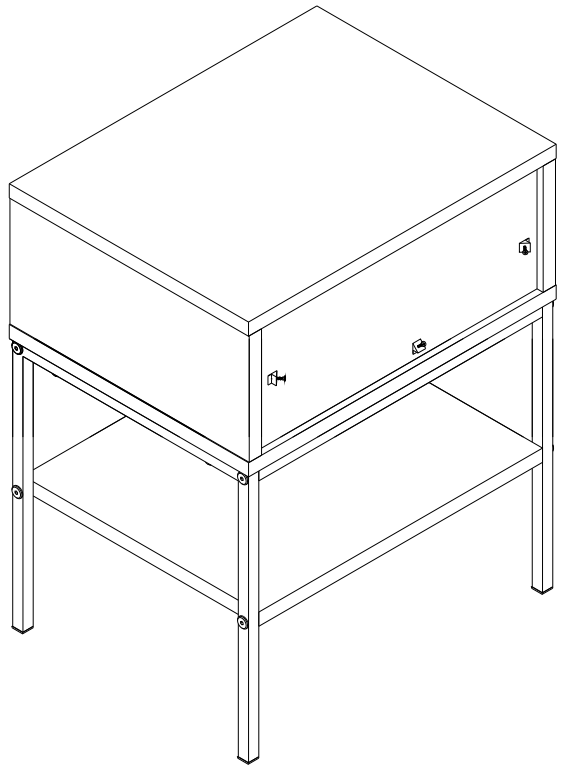
19



20



21



22

