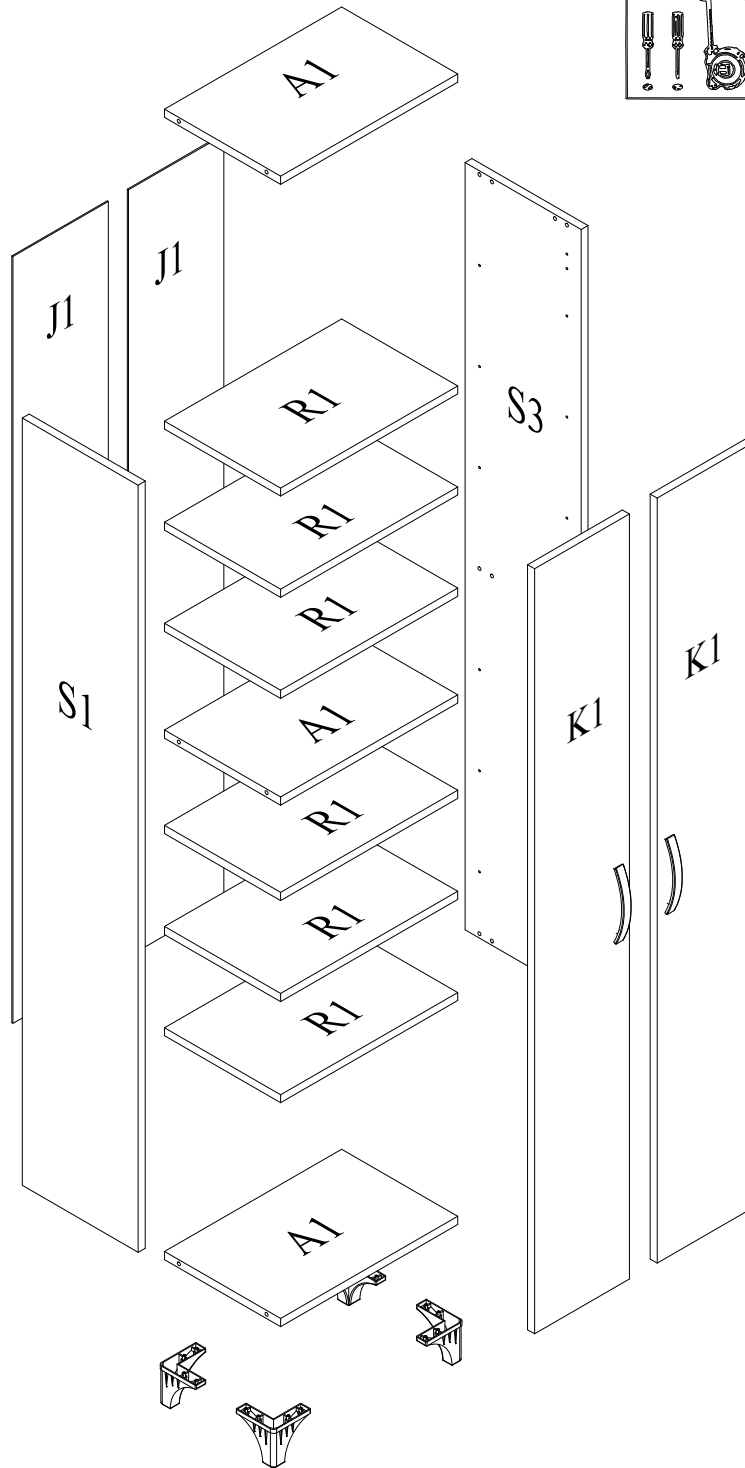
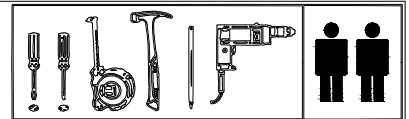


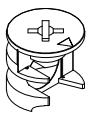
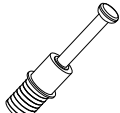
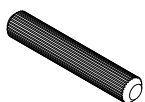
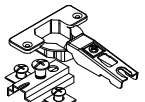
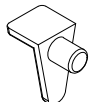

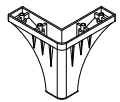



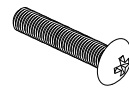
GP041-0015,3

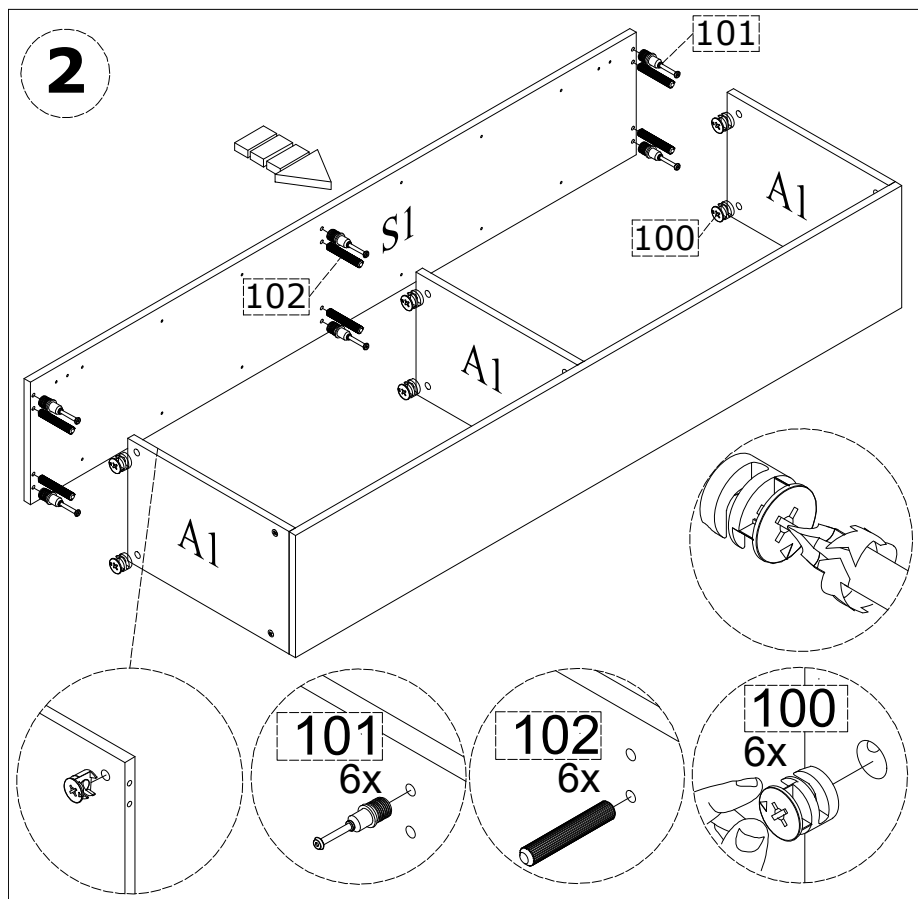
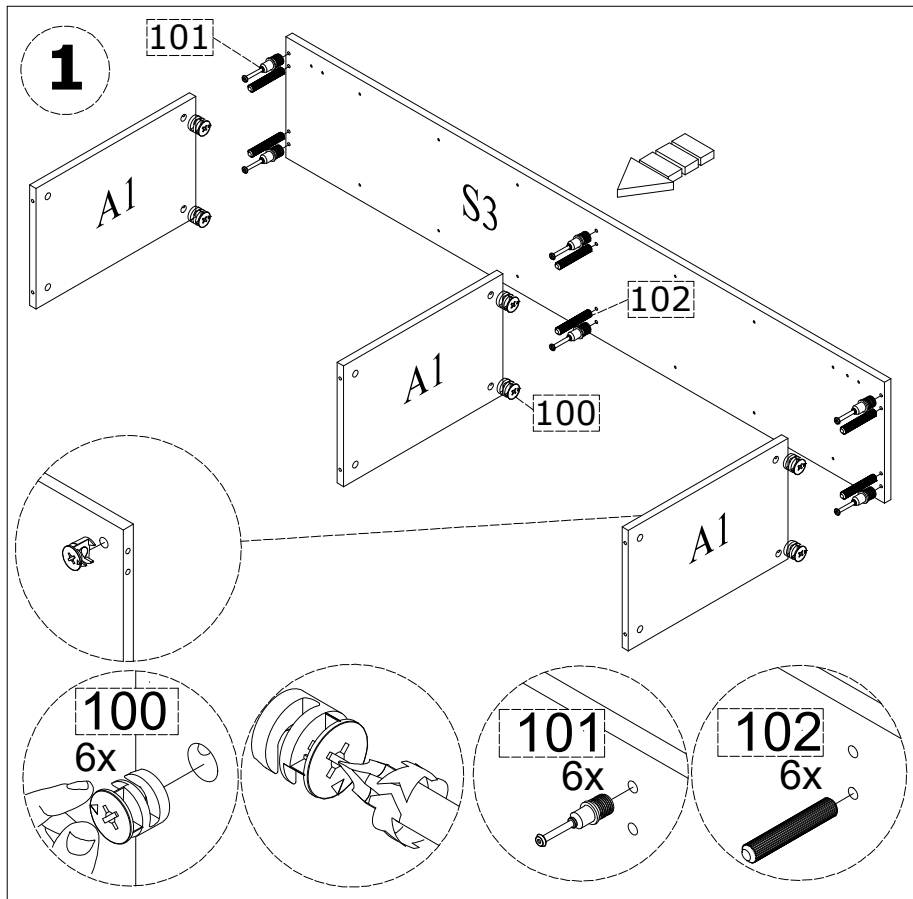


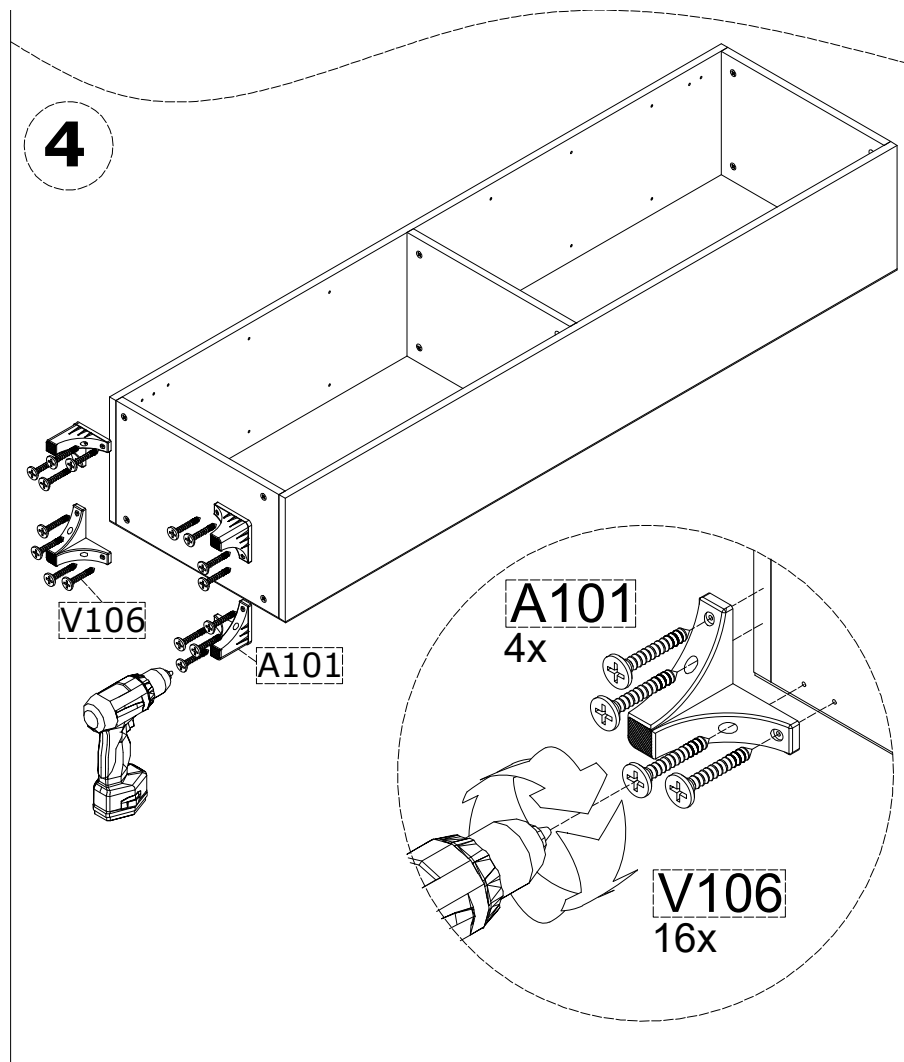
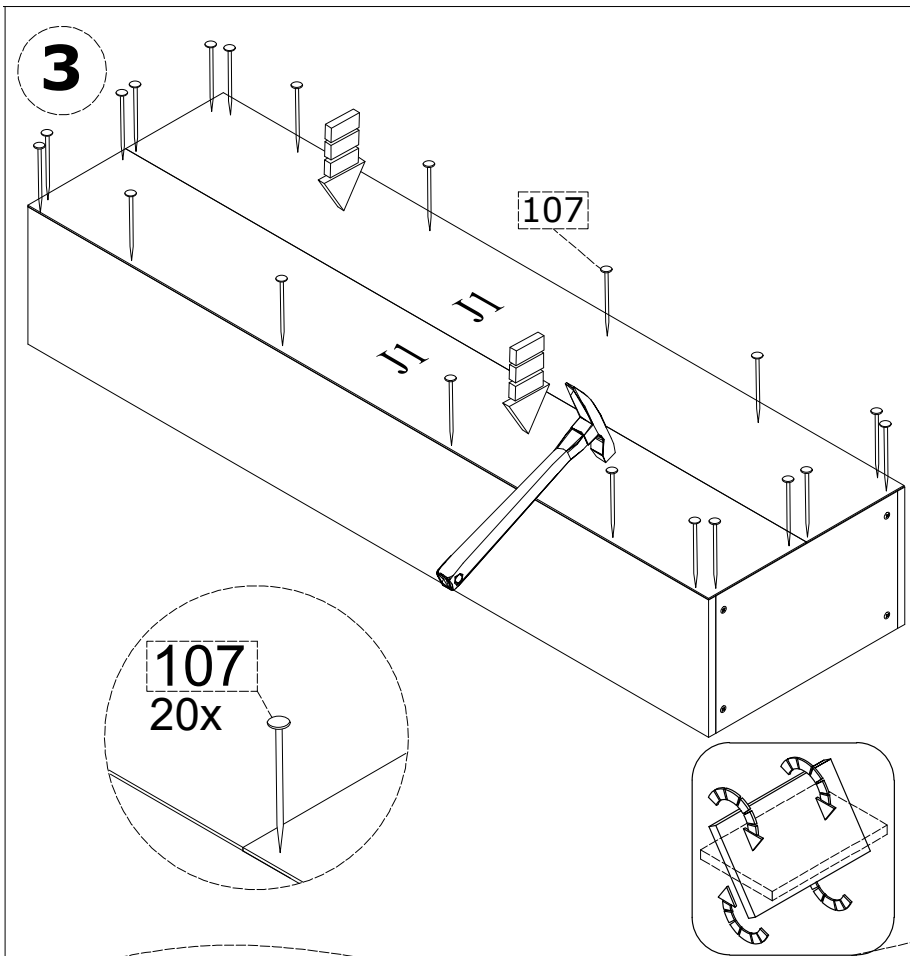
PKG1
 A1
 3X
 R1
 6X

PKG2
 K1
 2X
 S1
 1X
 S3
 1X
 J1
 2X

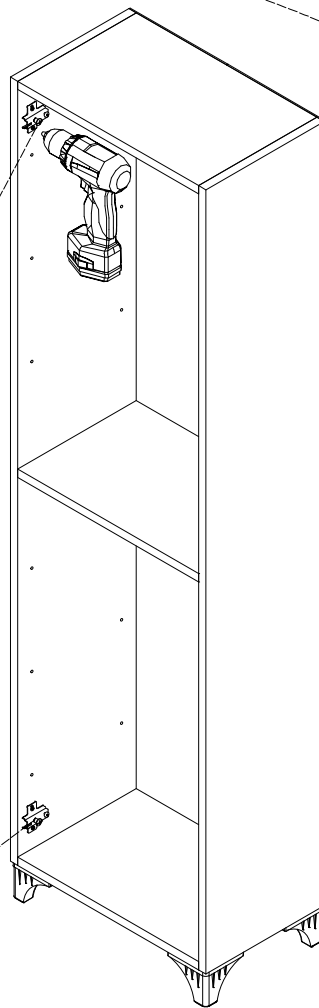
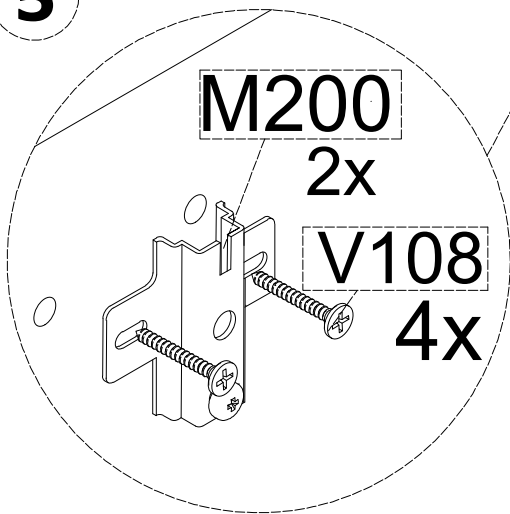


ACCESSORY NO:100 MINIFIX BODY  12 PCS	ACCESSORY NO:101 MINIFIX SPINDLE  12 PCS	ACCESSORY NO:102 Ø8 x 34 PLASTIC DOWEL  12 PCS	ACCESSORY NO:M200 HINGE HINGE COUNTERPARTS  04 PCS	ACCESSORY NO:119 SHELF PIN  24 PCS	ACCESSORY NO:K107 HANDLE 128 MM  2 PCS	ACCESSORY NO:A101 LEG 77 MM  4 PCS	ACCESSORY NO:V108 4x18 CHIPBOARD SCREW  16 PCS
ACCESSORY NO:V106 4 x 25 CHIPBOARD SCREW  16 PCS	ACCESSORY NO:107 NAIL  20 PCS	ACCESSORY NO:V105 M4x21 HANDLE SCREW  04 PCS					

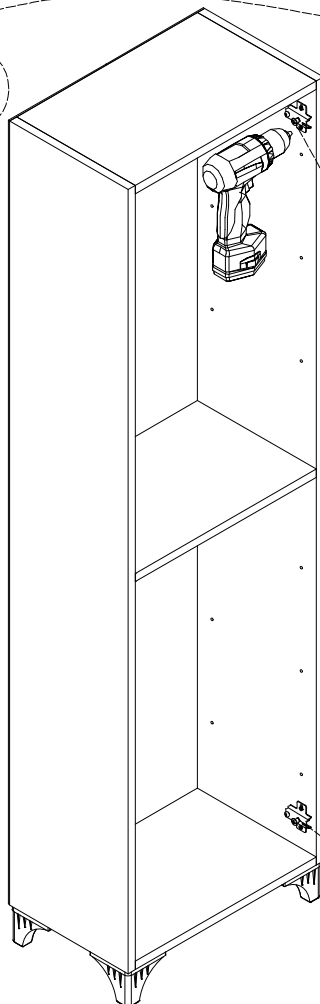
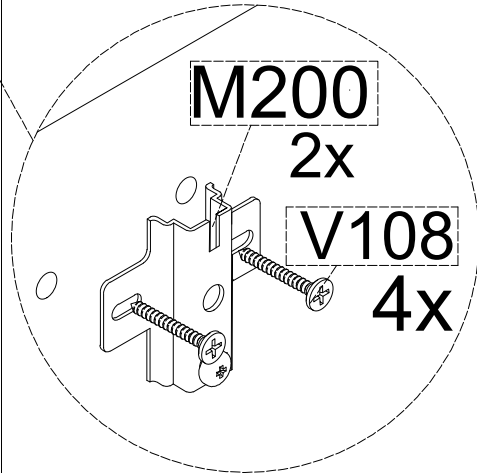


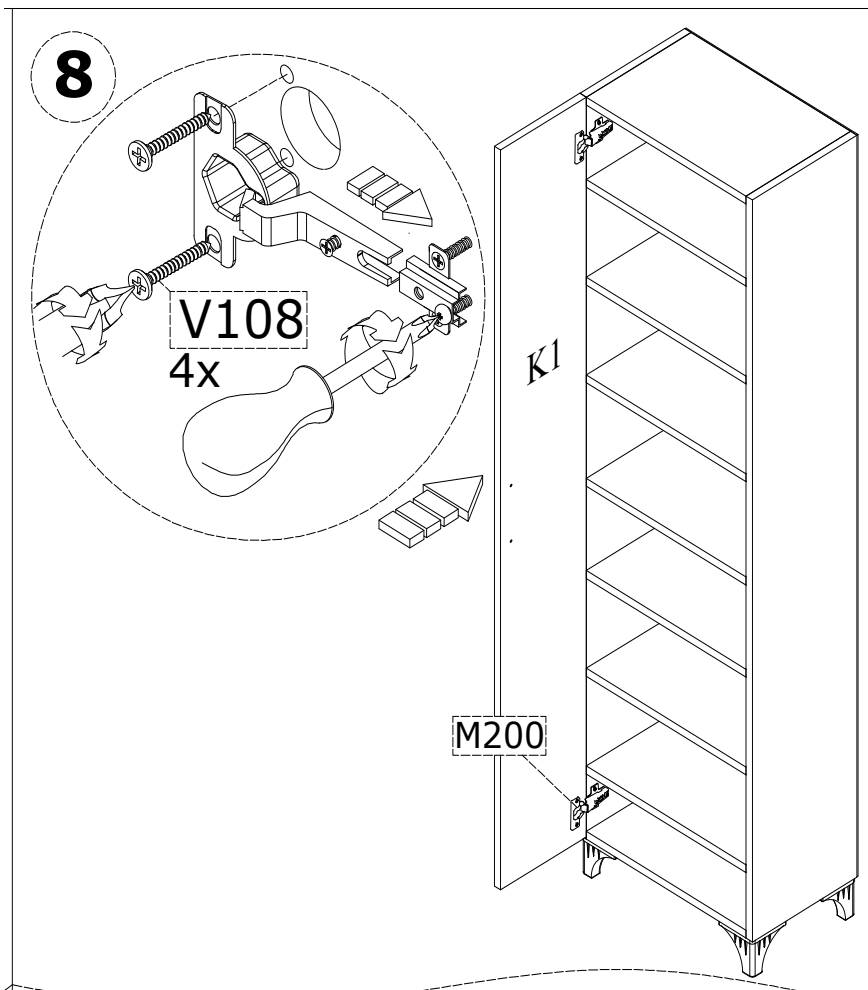
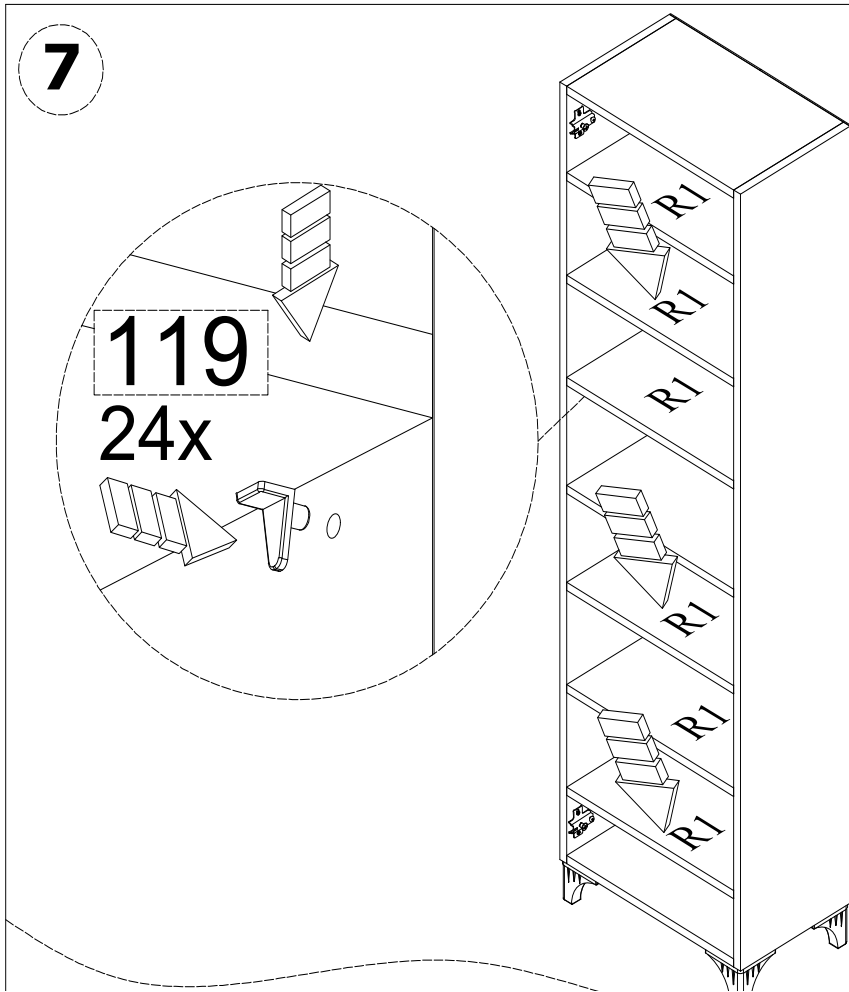


5

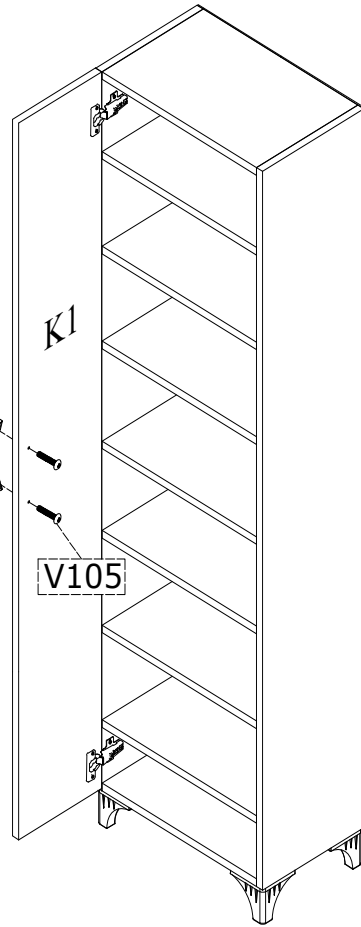
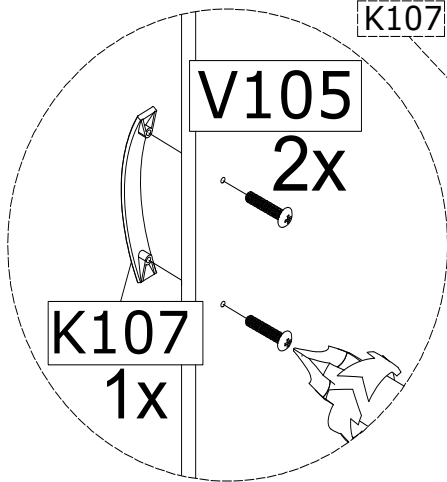


6

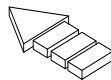
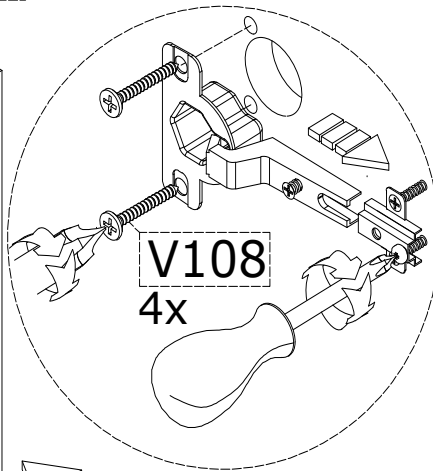
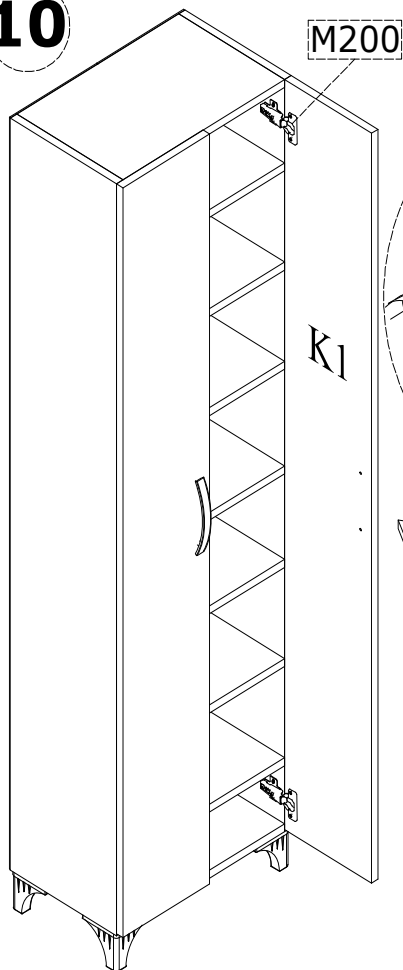




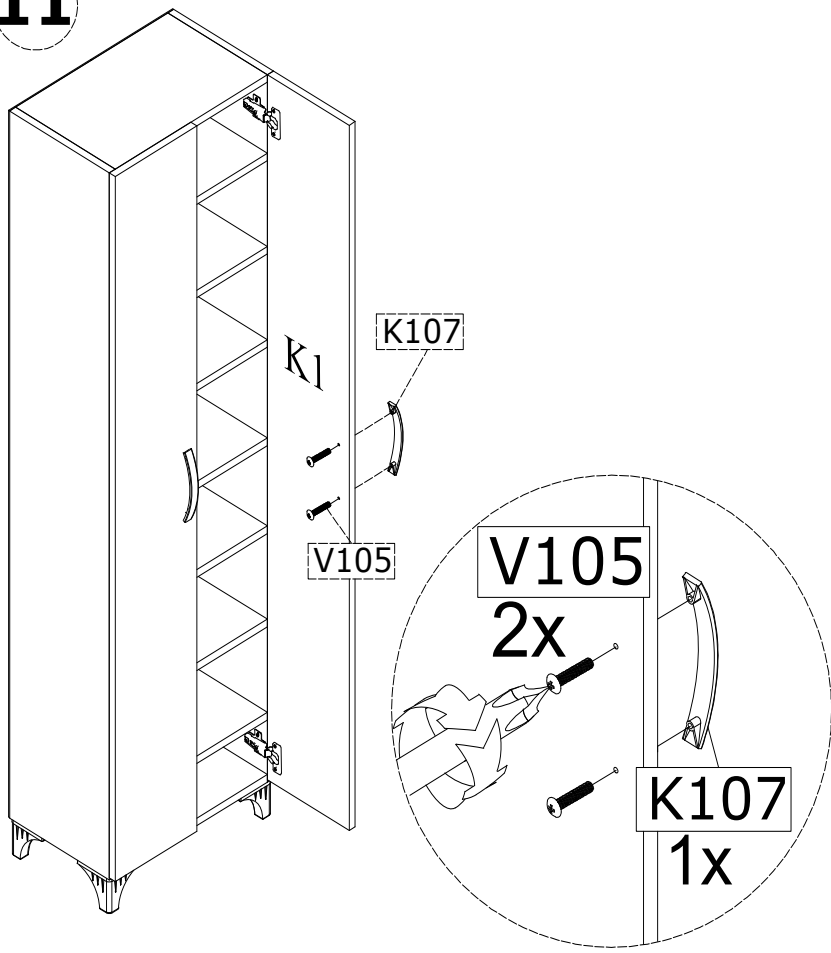
9



10



11



12

