

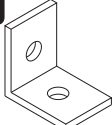

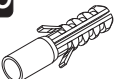
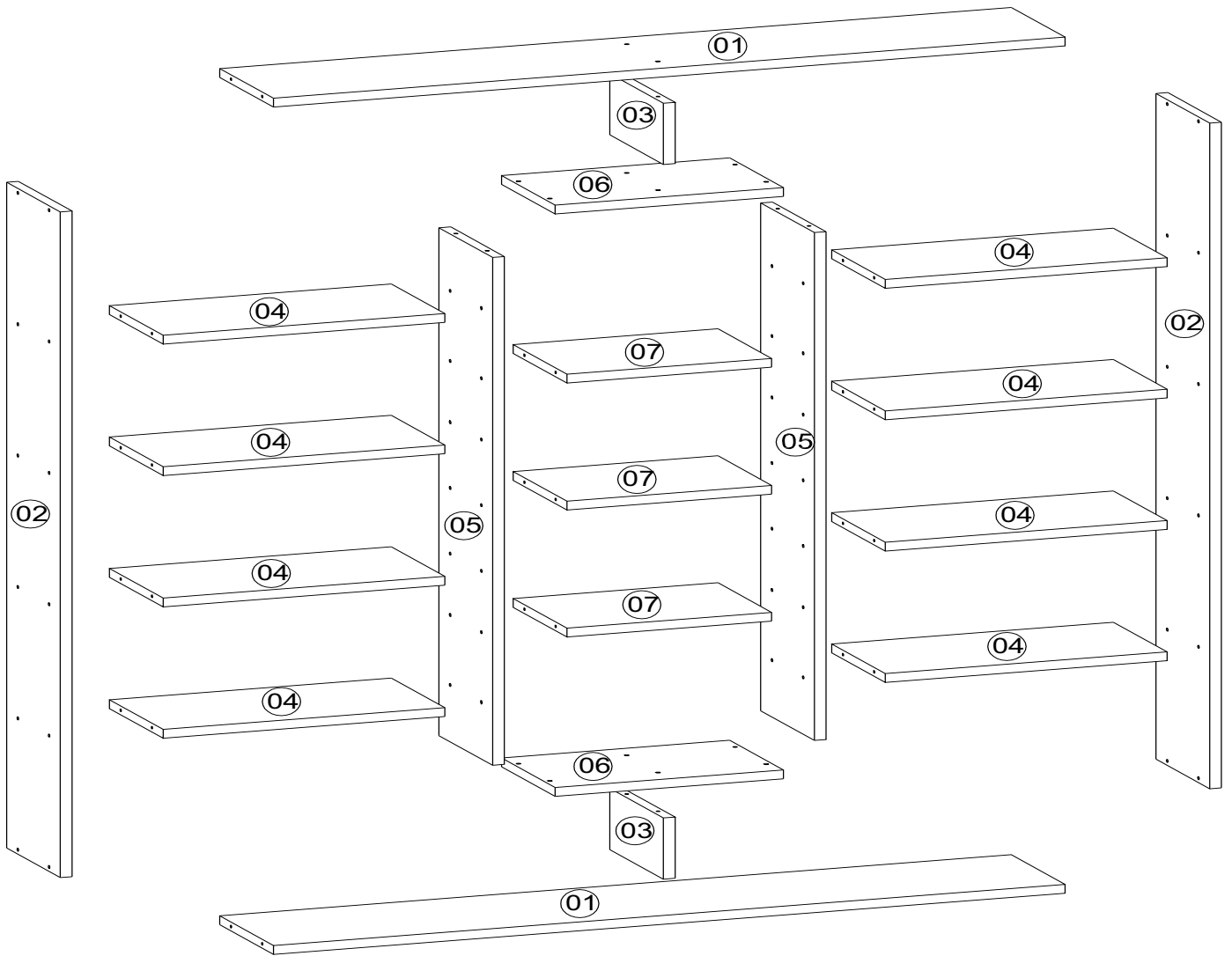


i GP042-0104,2

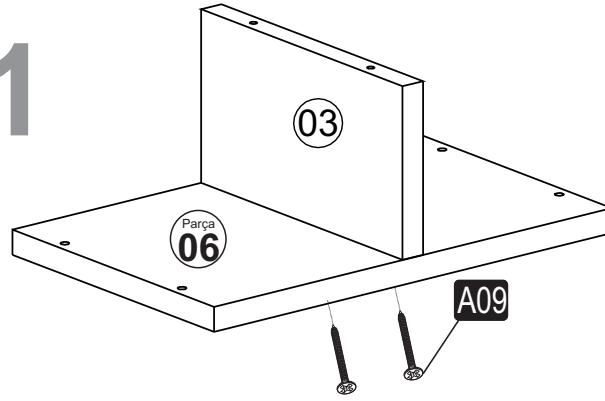


125 x 22 x 135,7cm

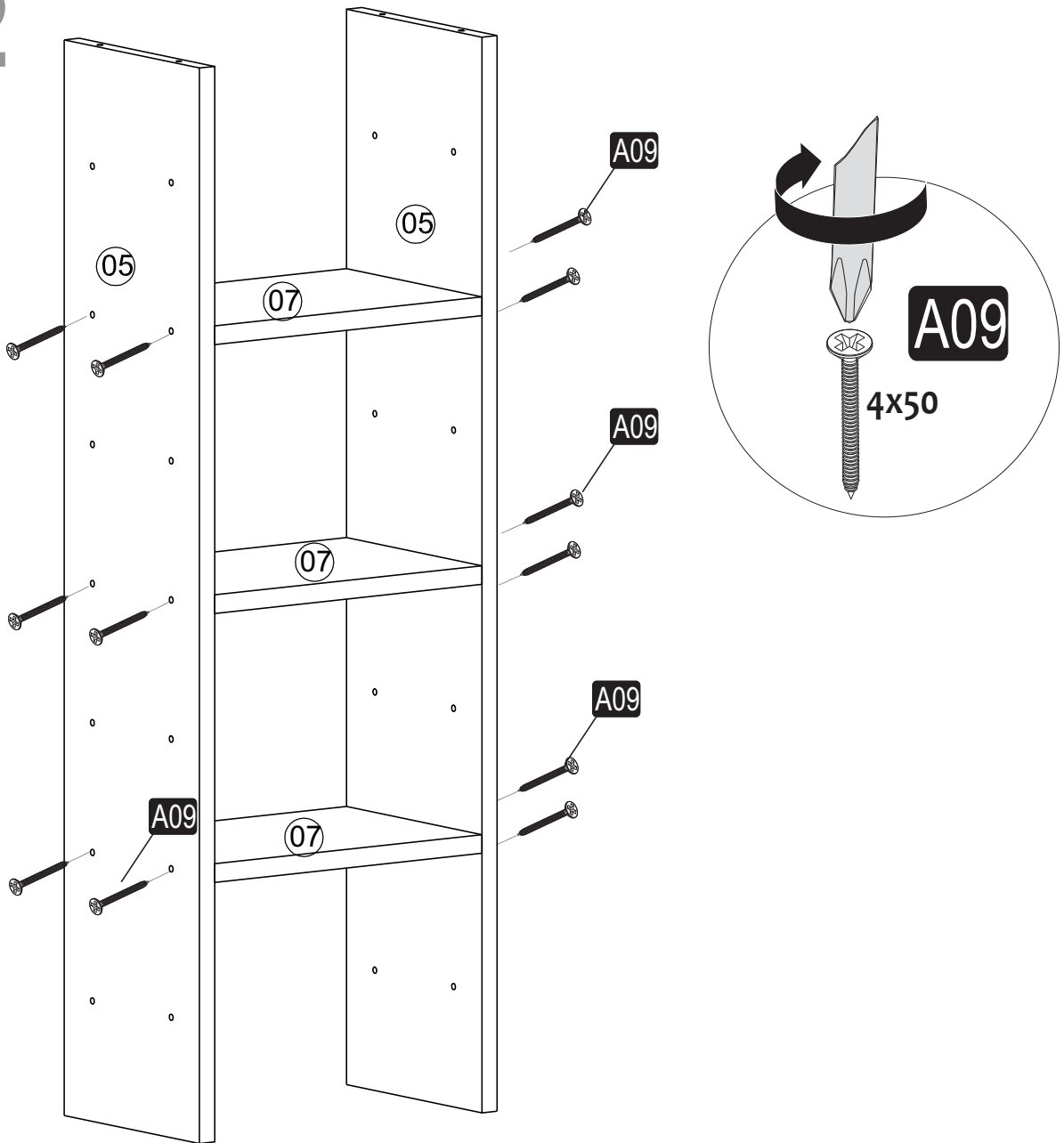
A09  4x50 70x	A04 	A07  A 28x D 40x 2x	A10  3,5x18 YHB 2x	A08  Ø8 2x
--	---	---	---	---



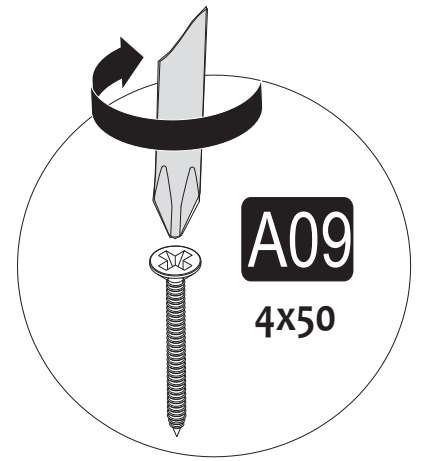
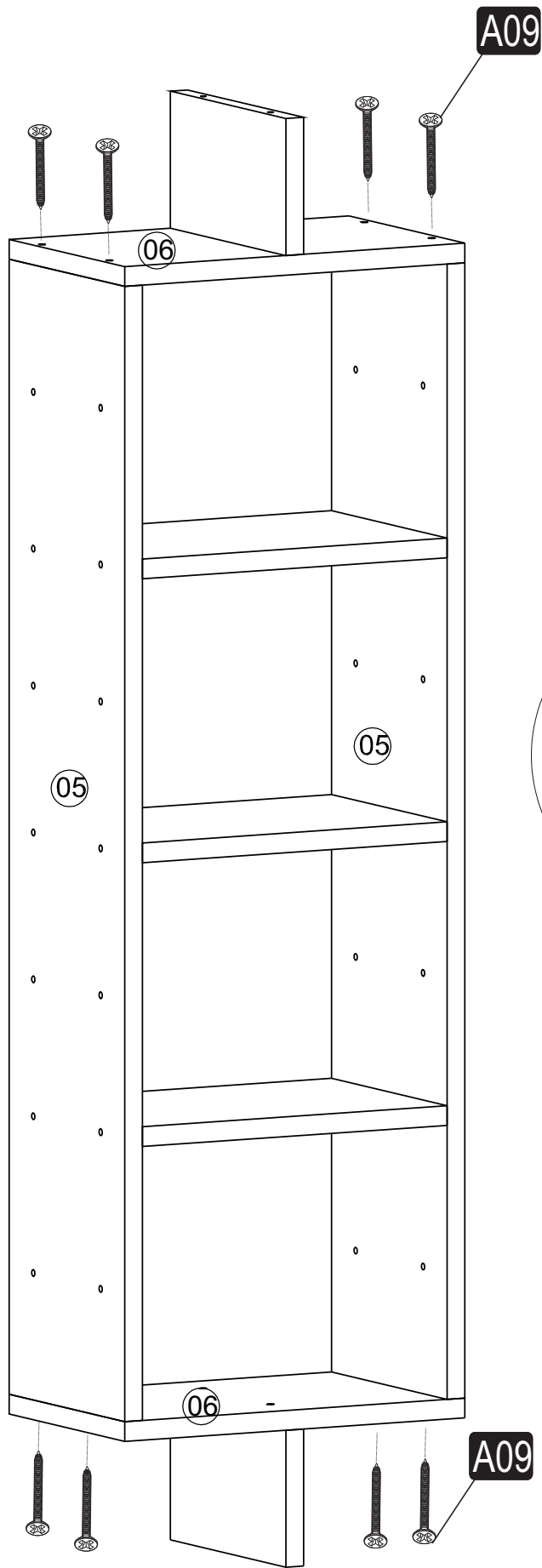
1



2

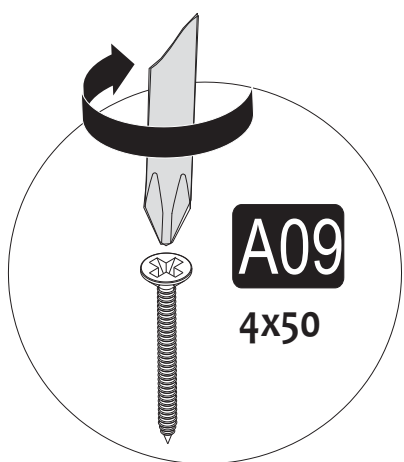
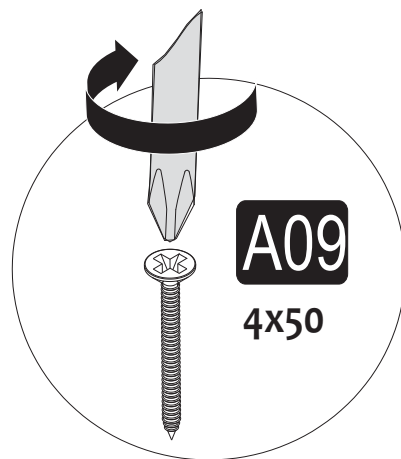
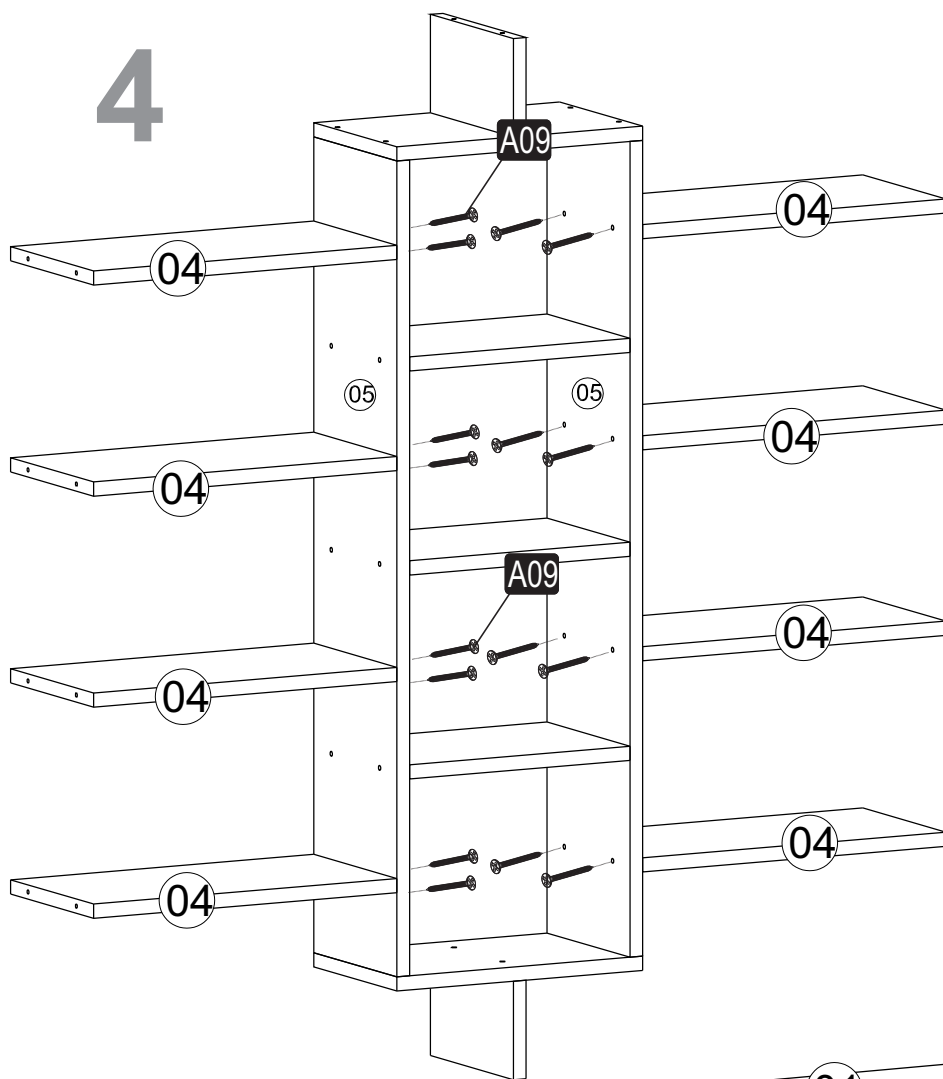


3

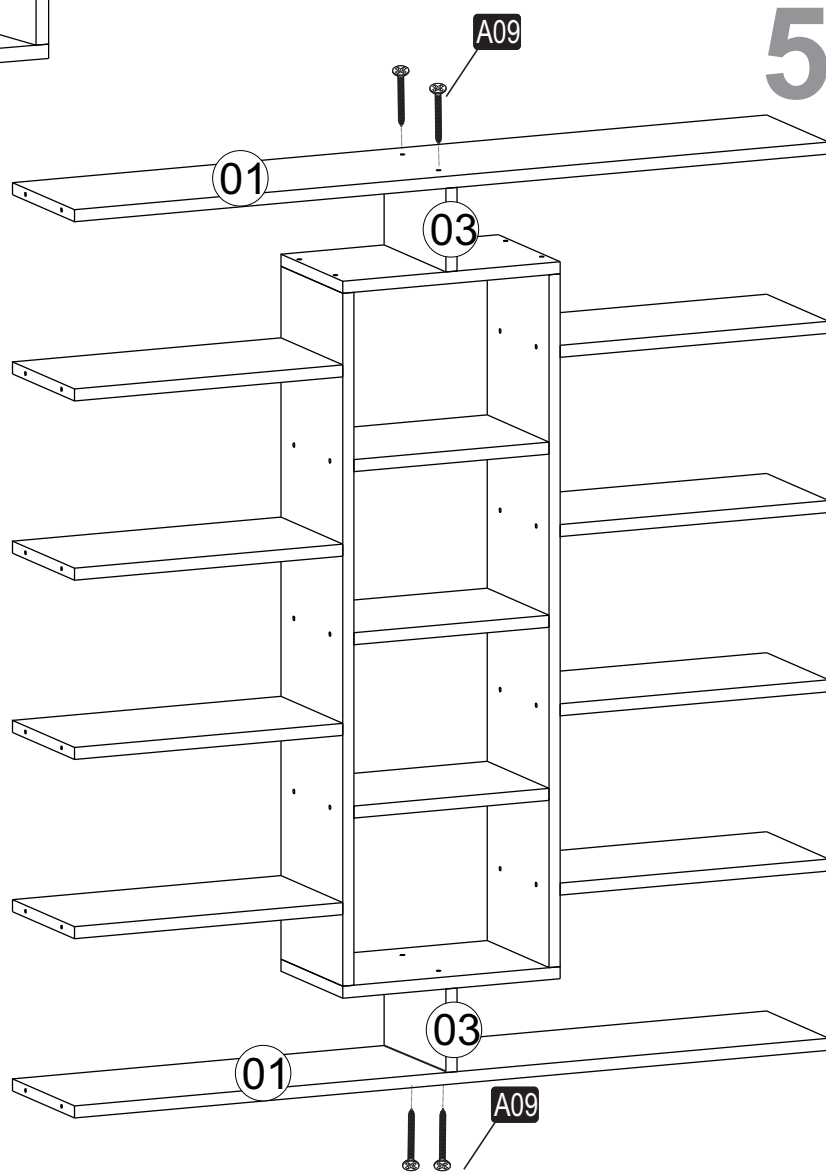


6

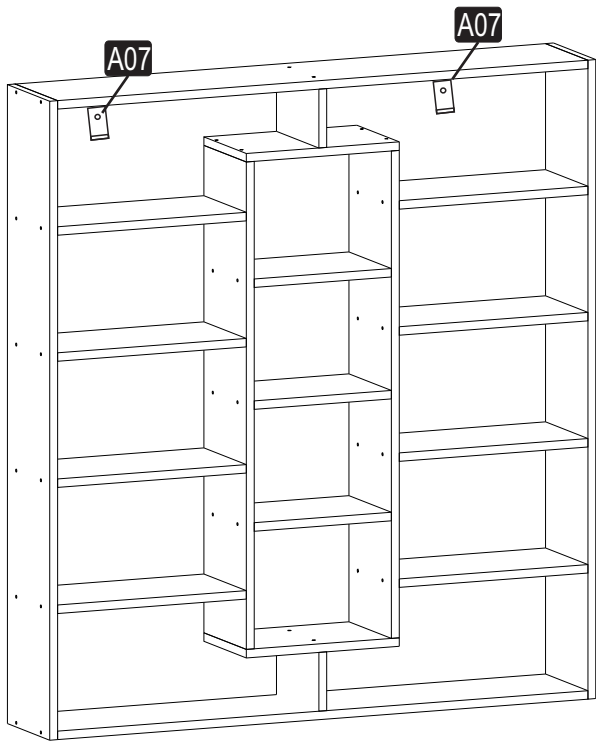
4



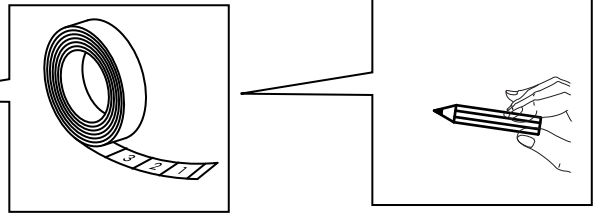
5



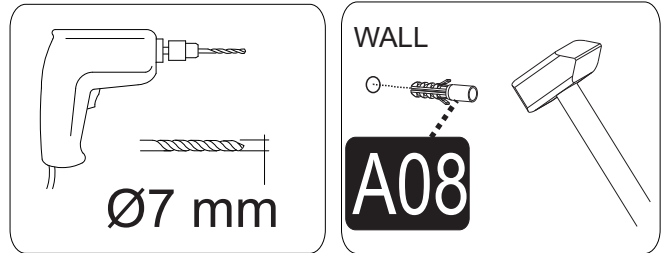
7



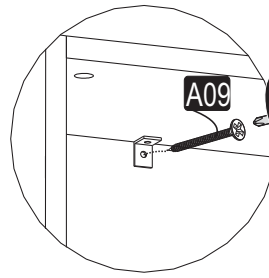
PART-1



PART-2



PART-3



PART-4

