
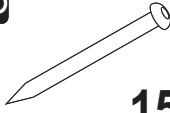
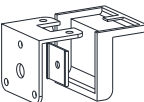
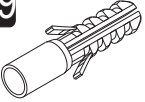


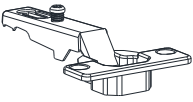
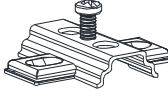

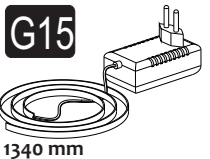
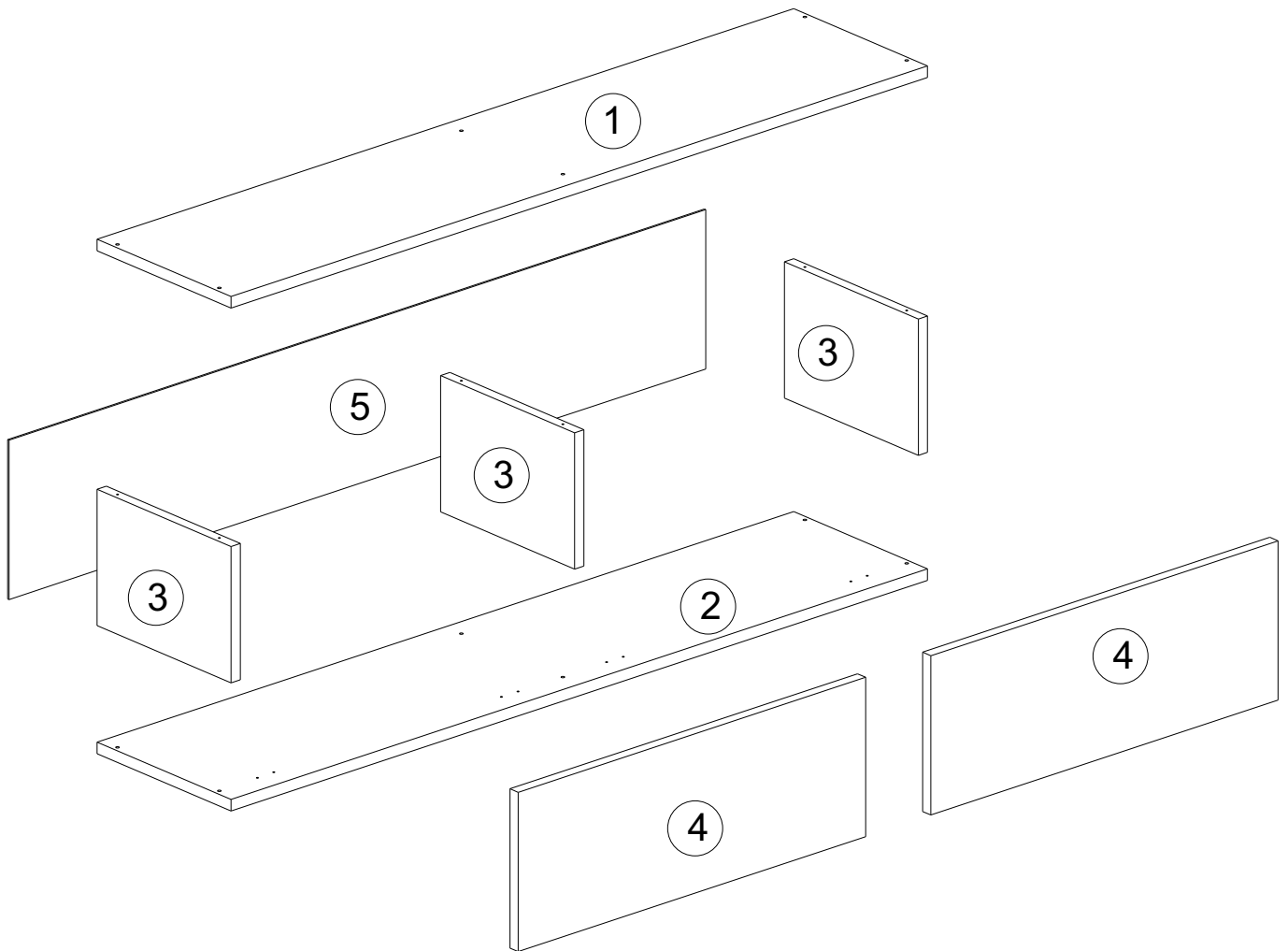


i GP042-0170,1

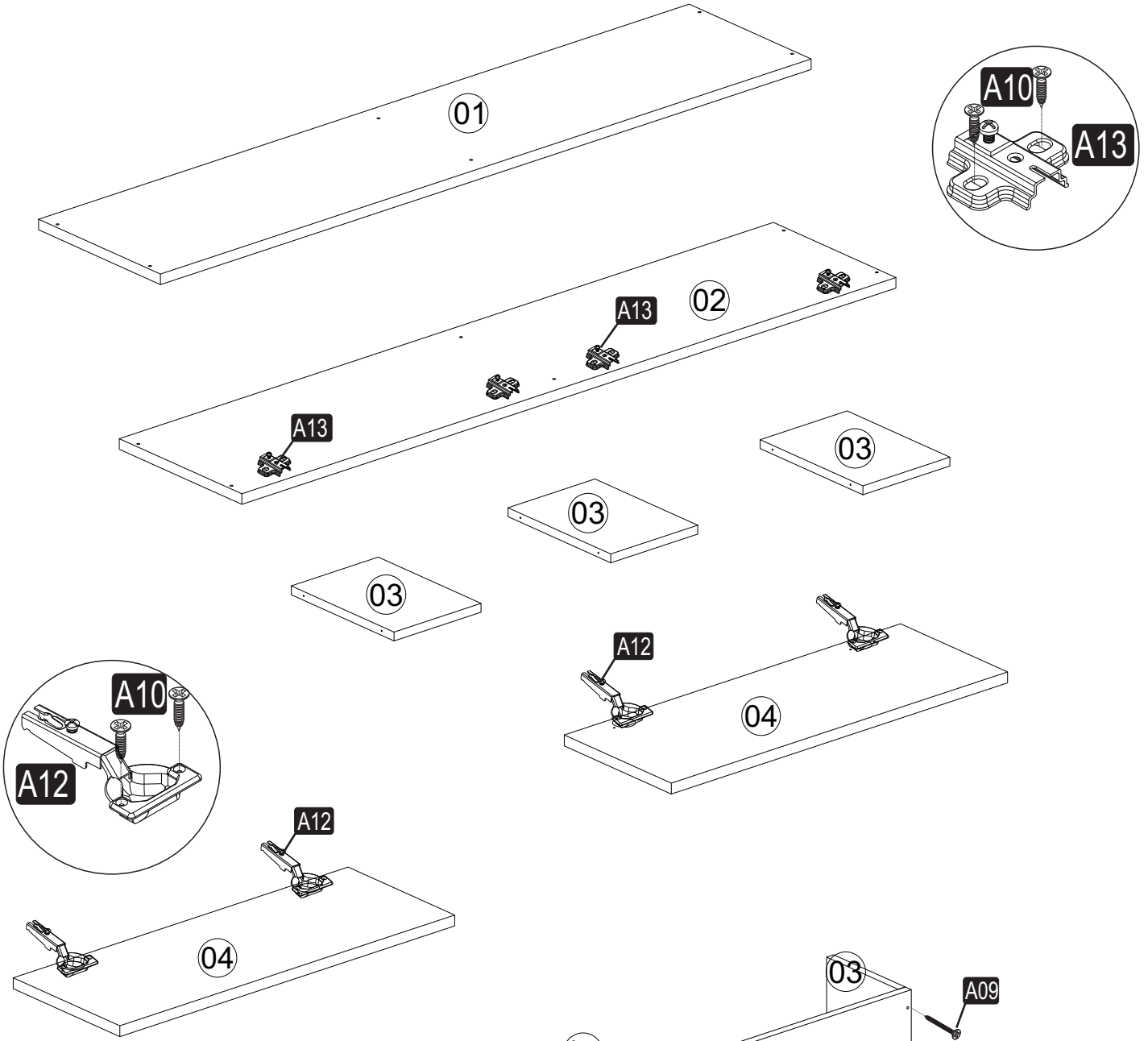


135 x 31,6 x 25cm

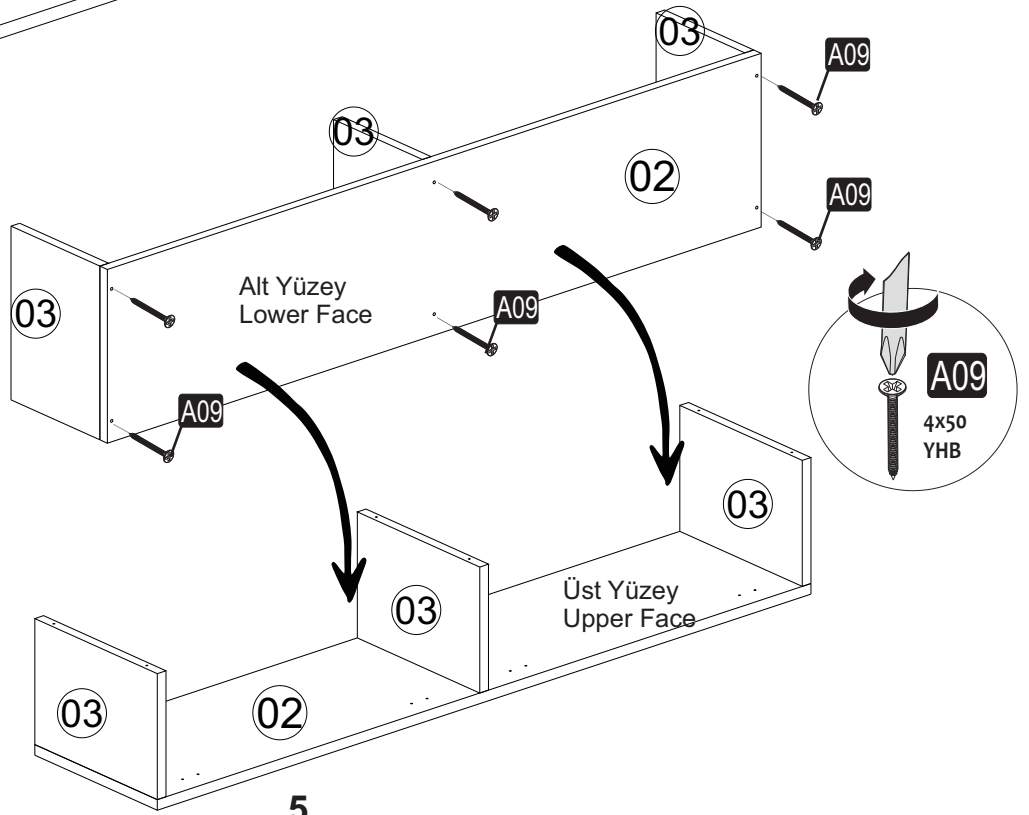
A16  A 12x	A28  15x	A41  4x	D69 $\varnothing 8$ RKT  4x	A09 4x50  12x
A10 3,5x18  24x	A12  4x	A13  4x	D41 5x70 YHB  4x	G15 LED  1340 mm 1x



1

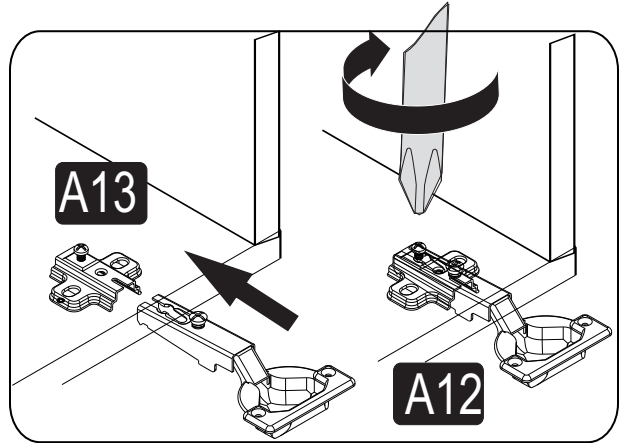
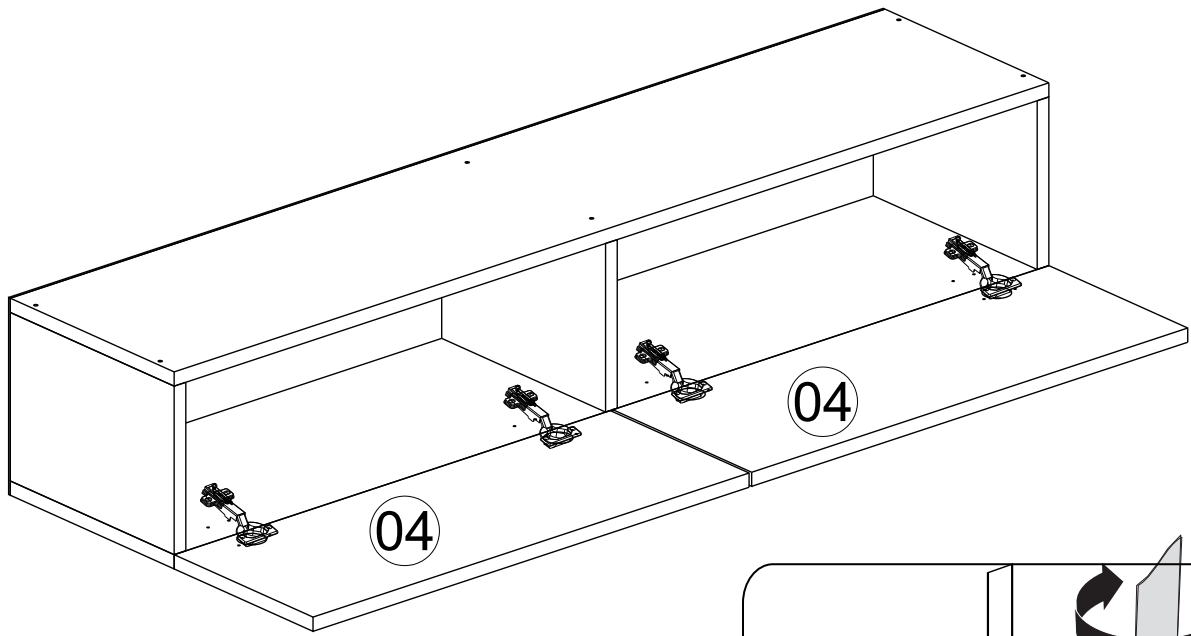


2

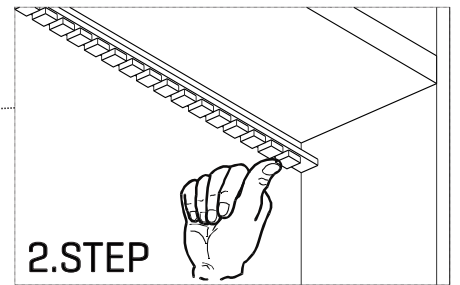
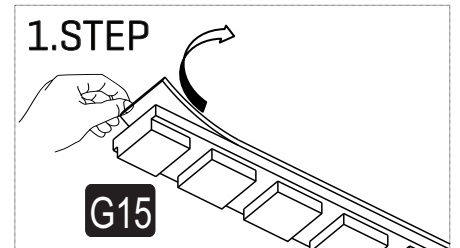
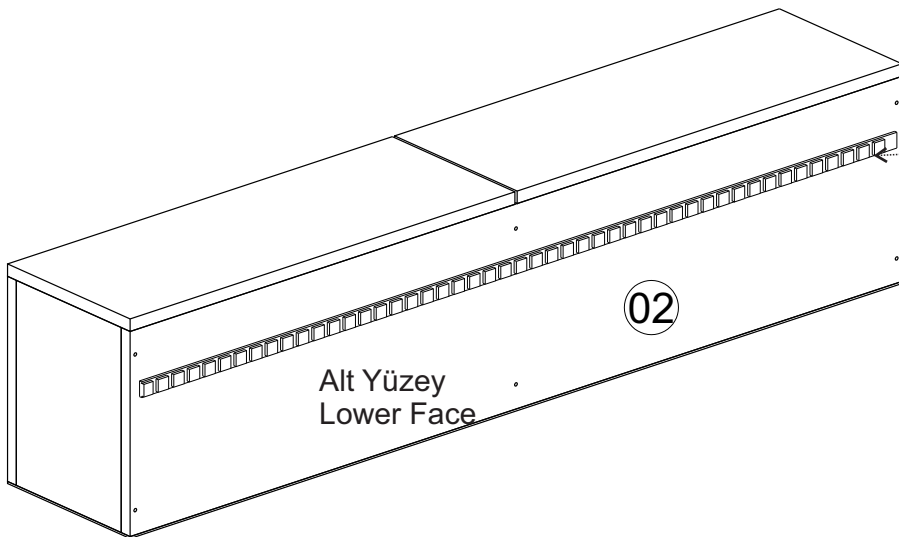


5

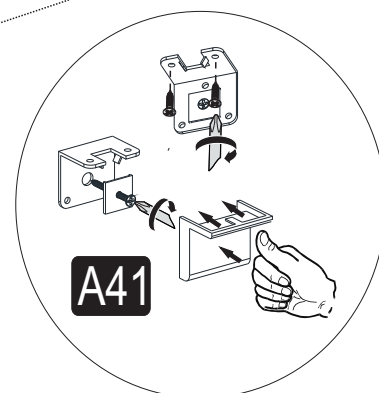
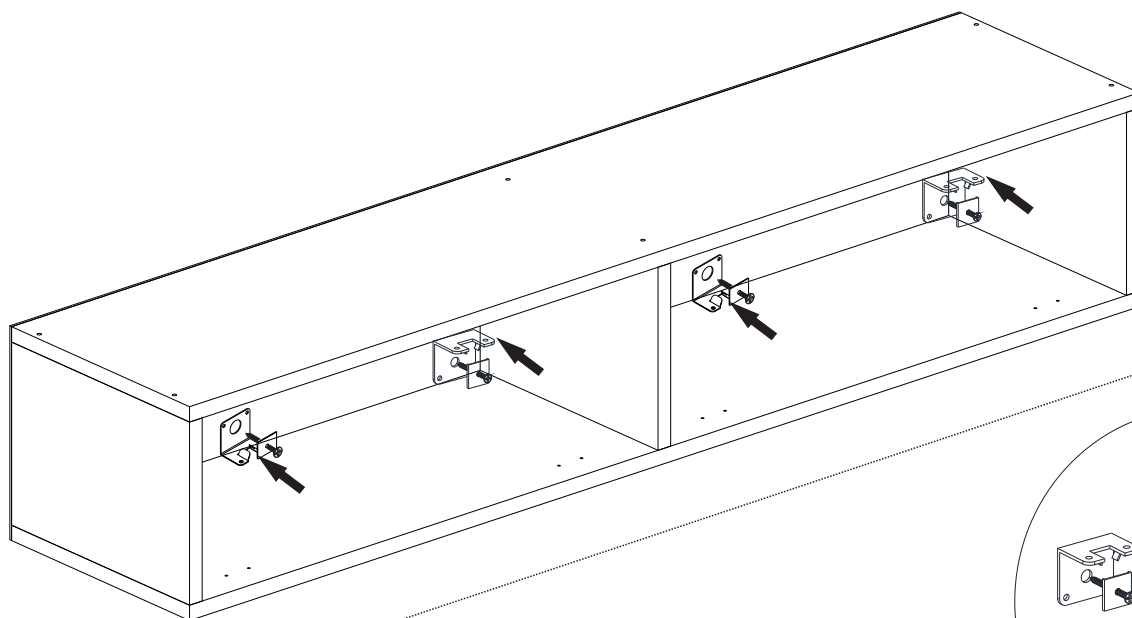
5

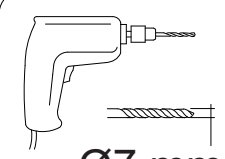


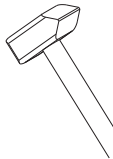
6

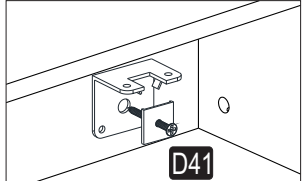


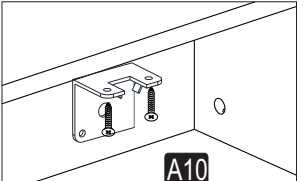
7



A41  $\text{\O}7 \text{ mm}$

D69 

D41 

A10 

8

