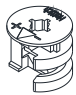
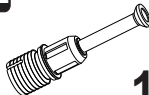


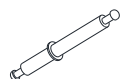
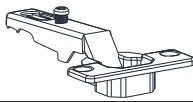
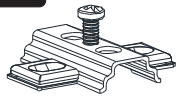
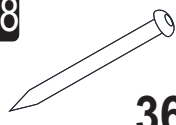
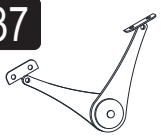

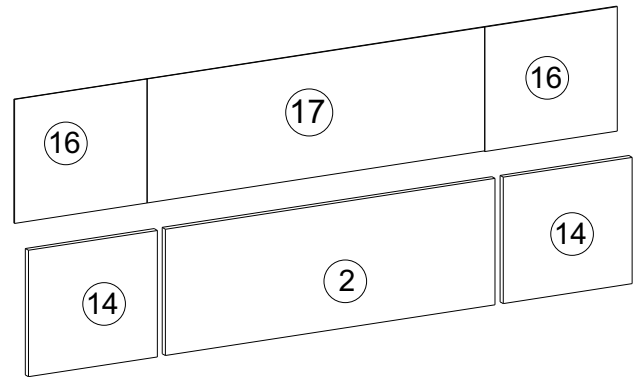
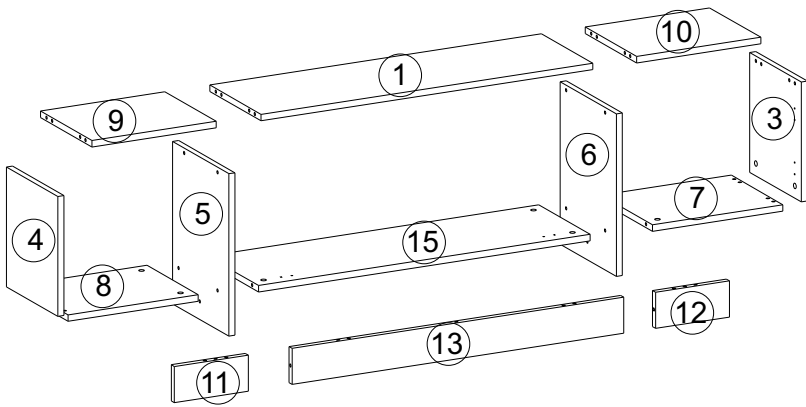


**i** GP042-0185,1

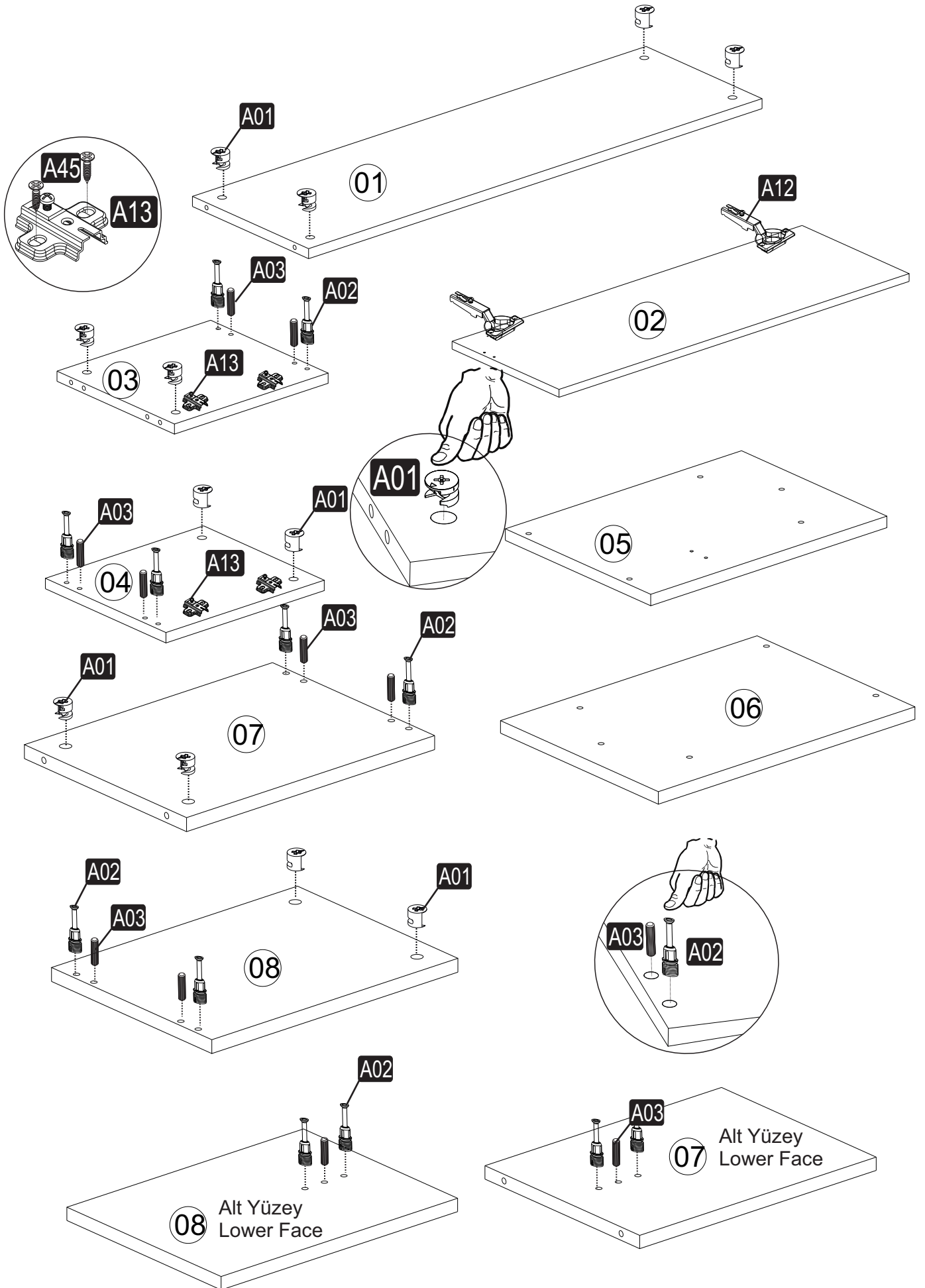


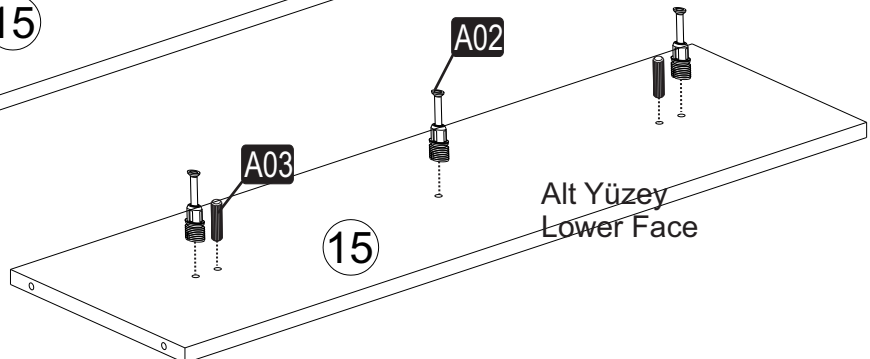
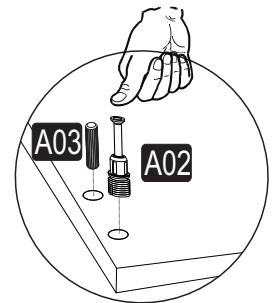
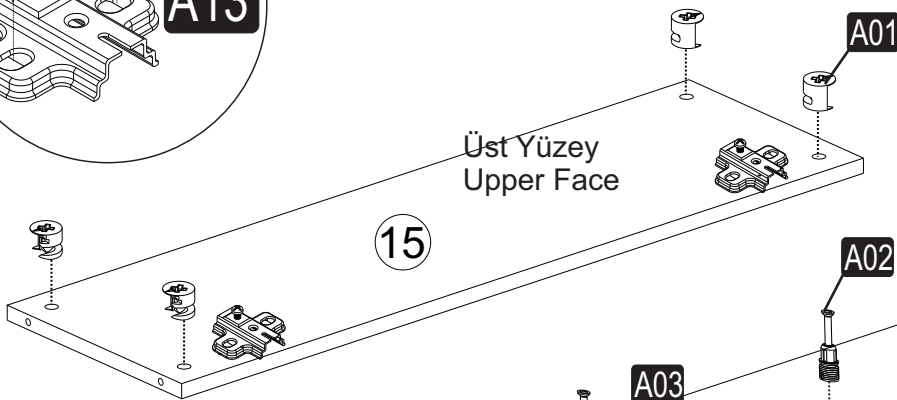
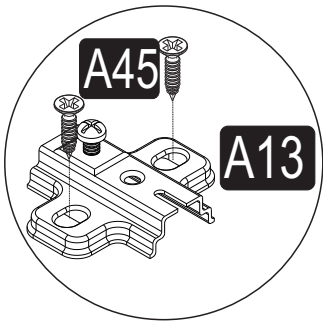
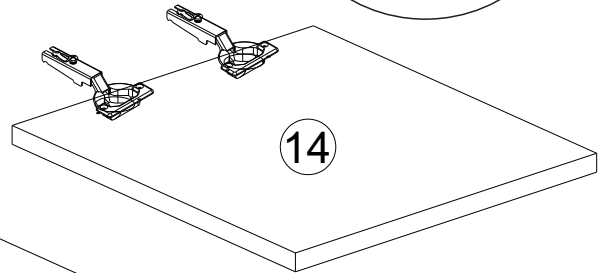
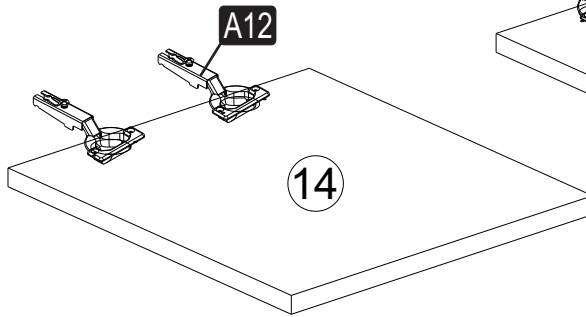
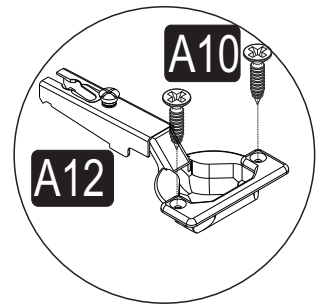
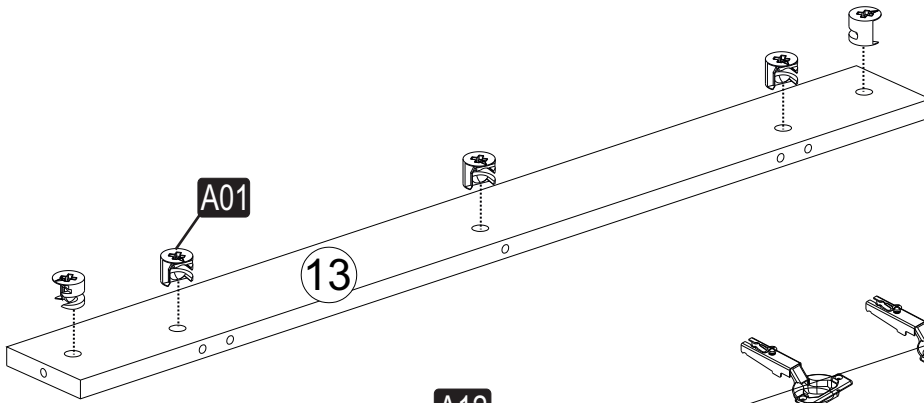
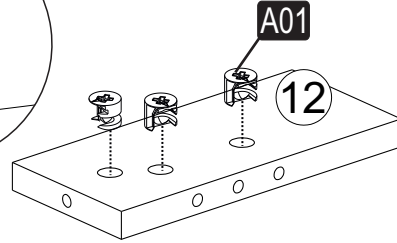
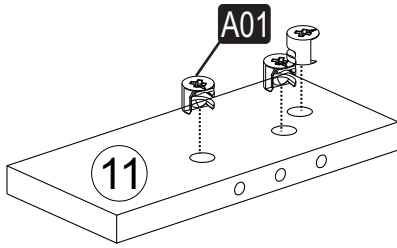
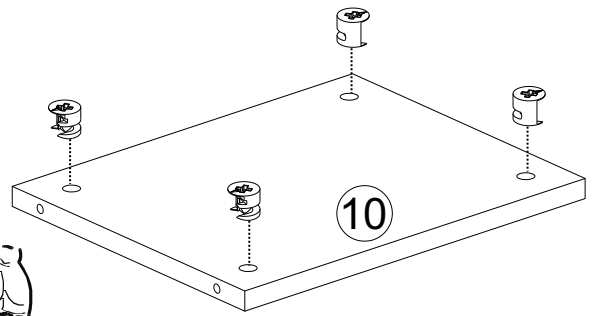
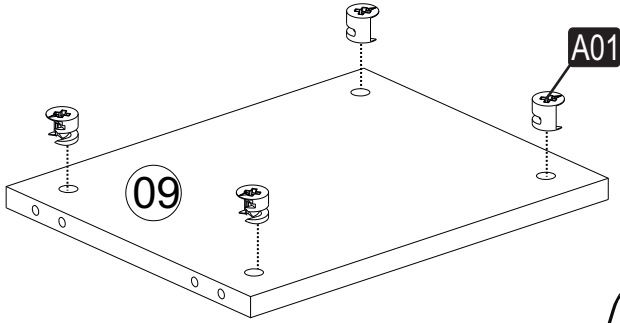
180 x 32,3 x 45cm

<b>A01</b>  <b>35x</b>	<b>A02</b>  <b>15x</b>	<b>A03</b>  <b>12x</b>	<b>A04</b>  <b>A31x</b> <b>D 4x</b>	<b>A06</b> UM(Sgml)  <b>10x</b>
<b>A12</b> DM  <b>6x</b>	<b>A13</b> MA  <b>6x</b>	<b>A28</b>  <b>36x</b>	<b>A37</b>  <b>1x</b>	<b>A45</b> 3,5x20 YHB  <b>28x</b>

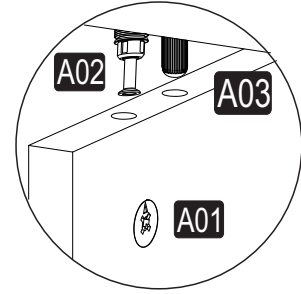
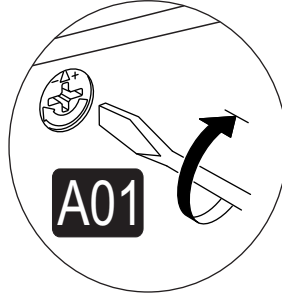
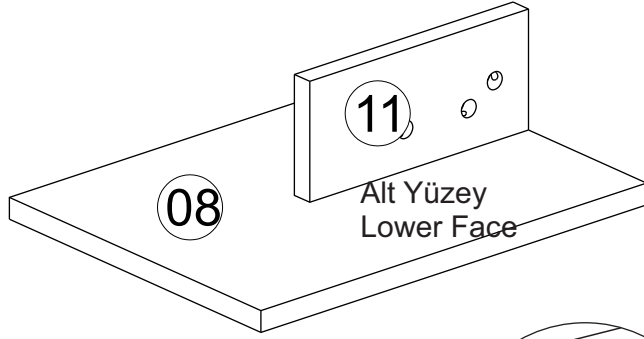


1

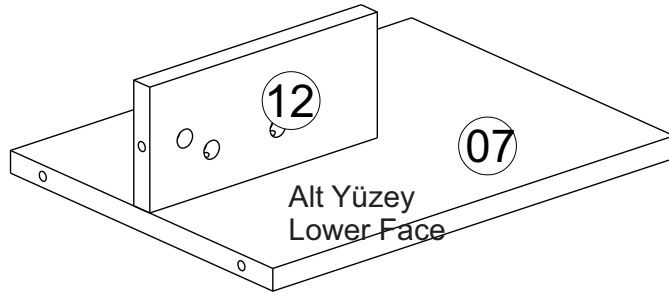




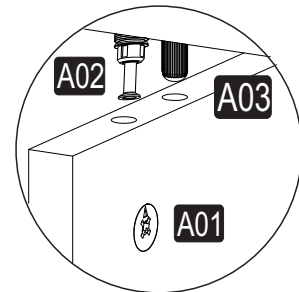
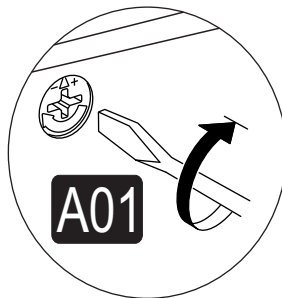
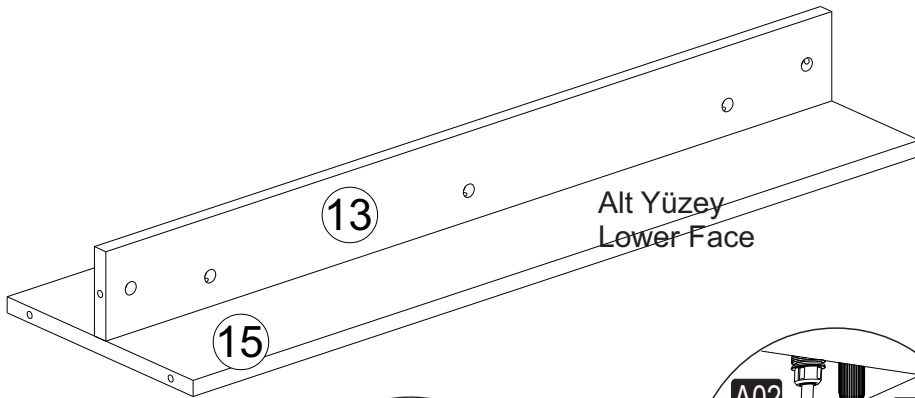
3



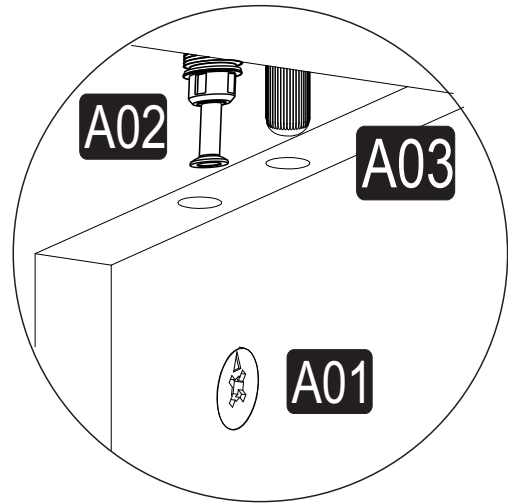
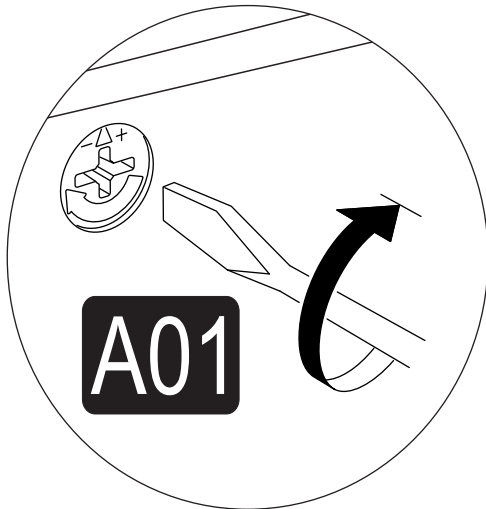
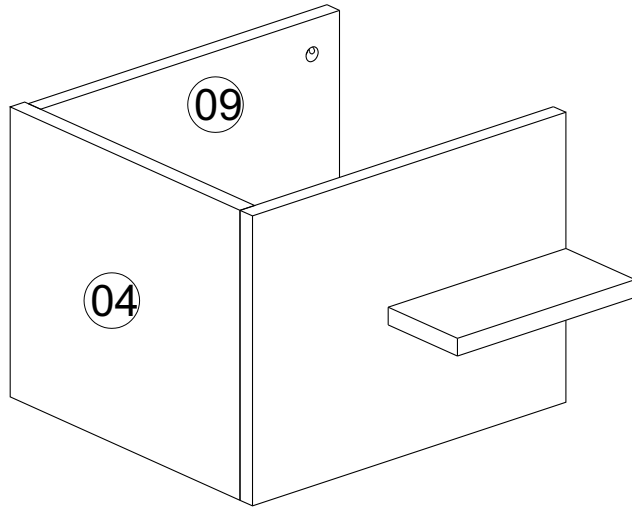
4



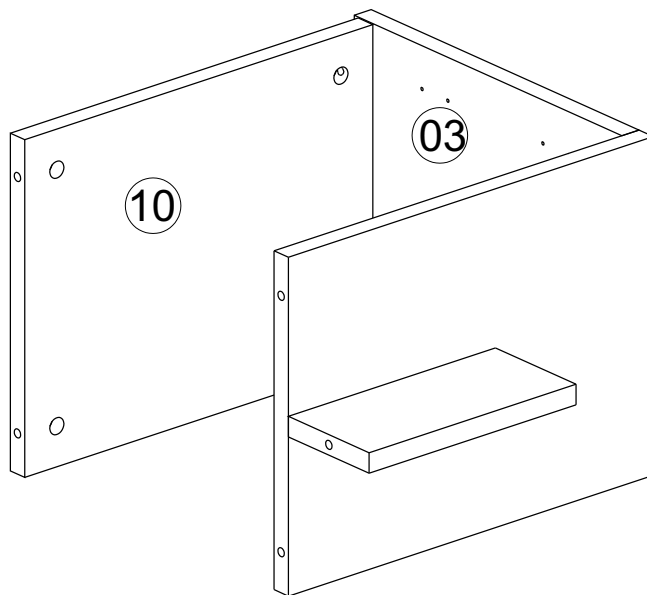
5

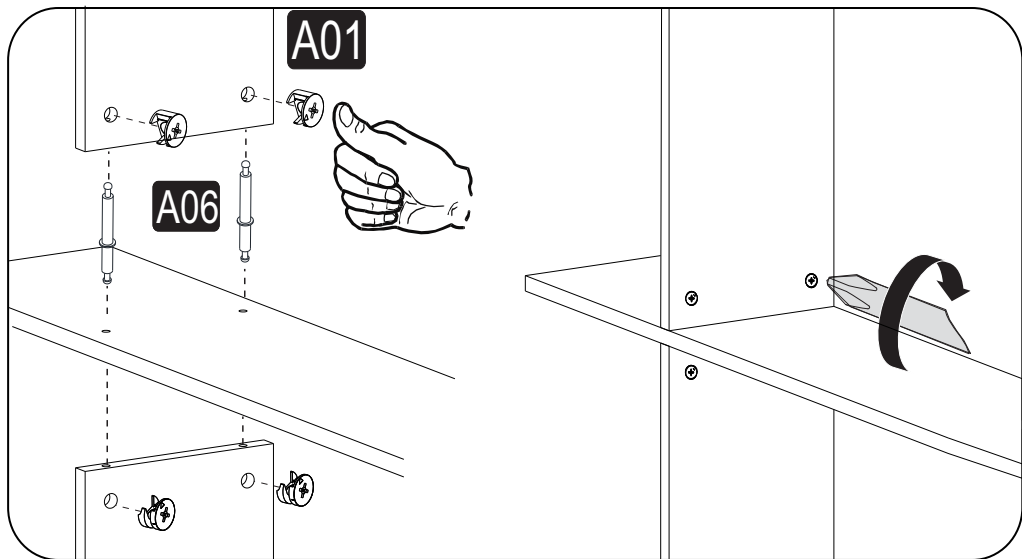
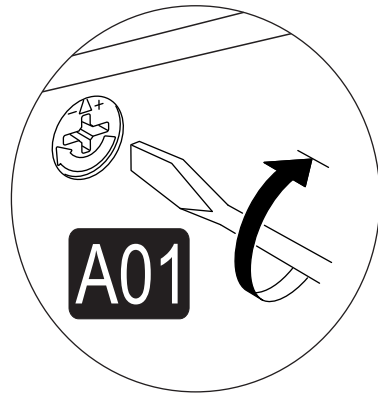
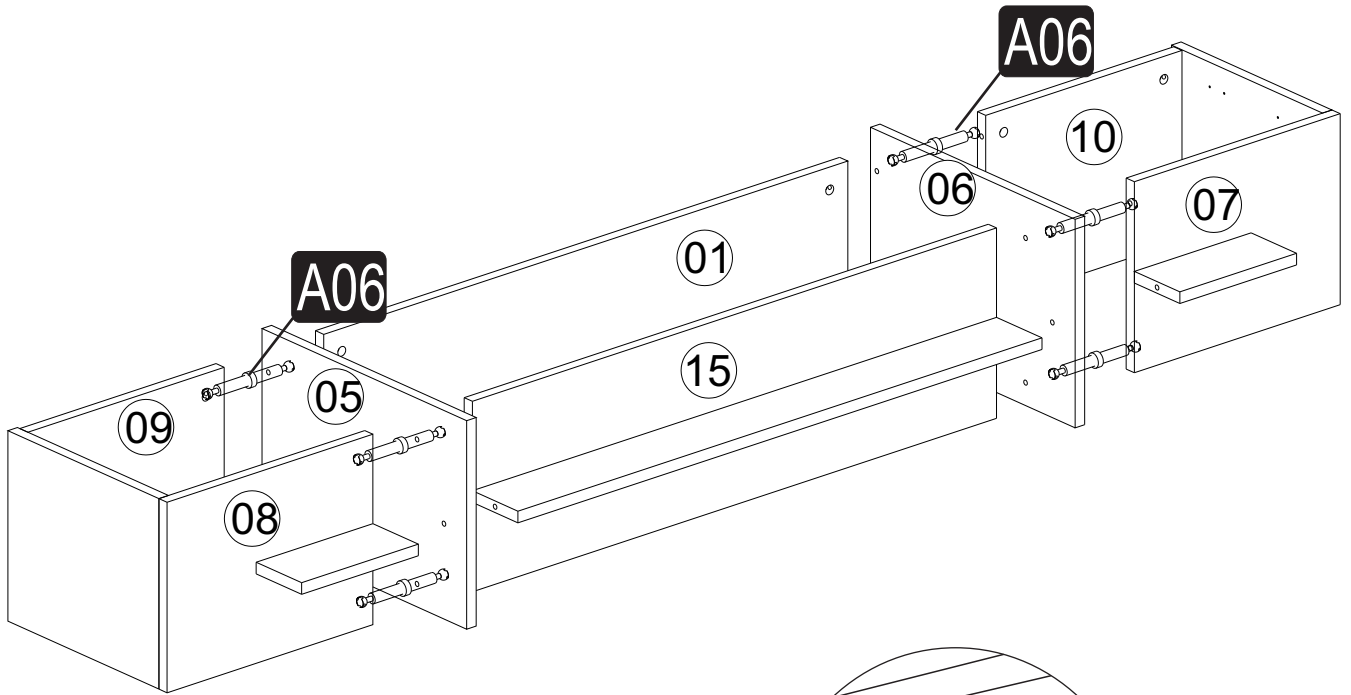


6

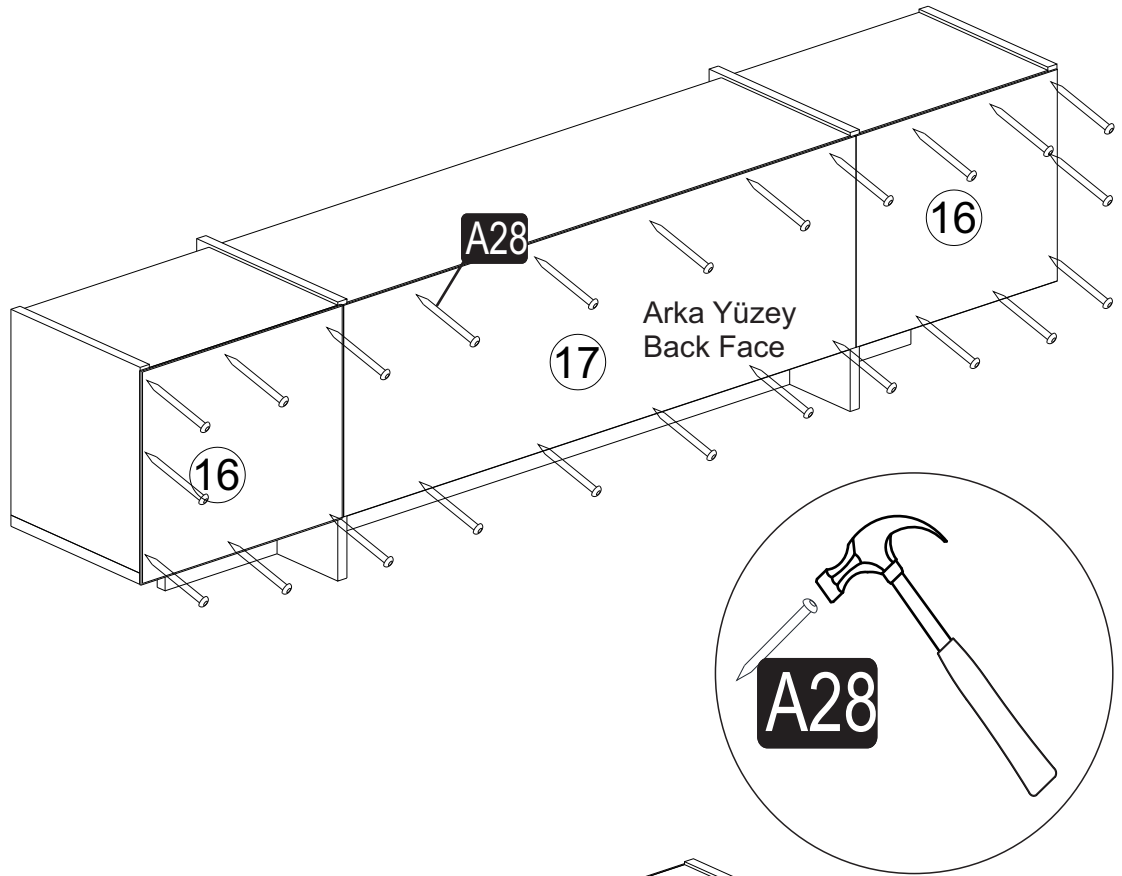


7

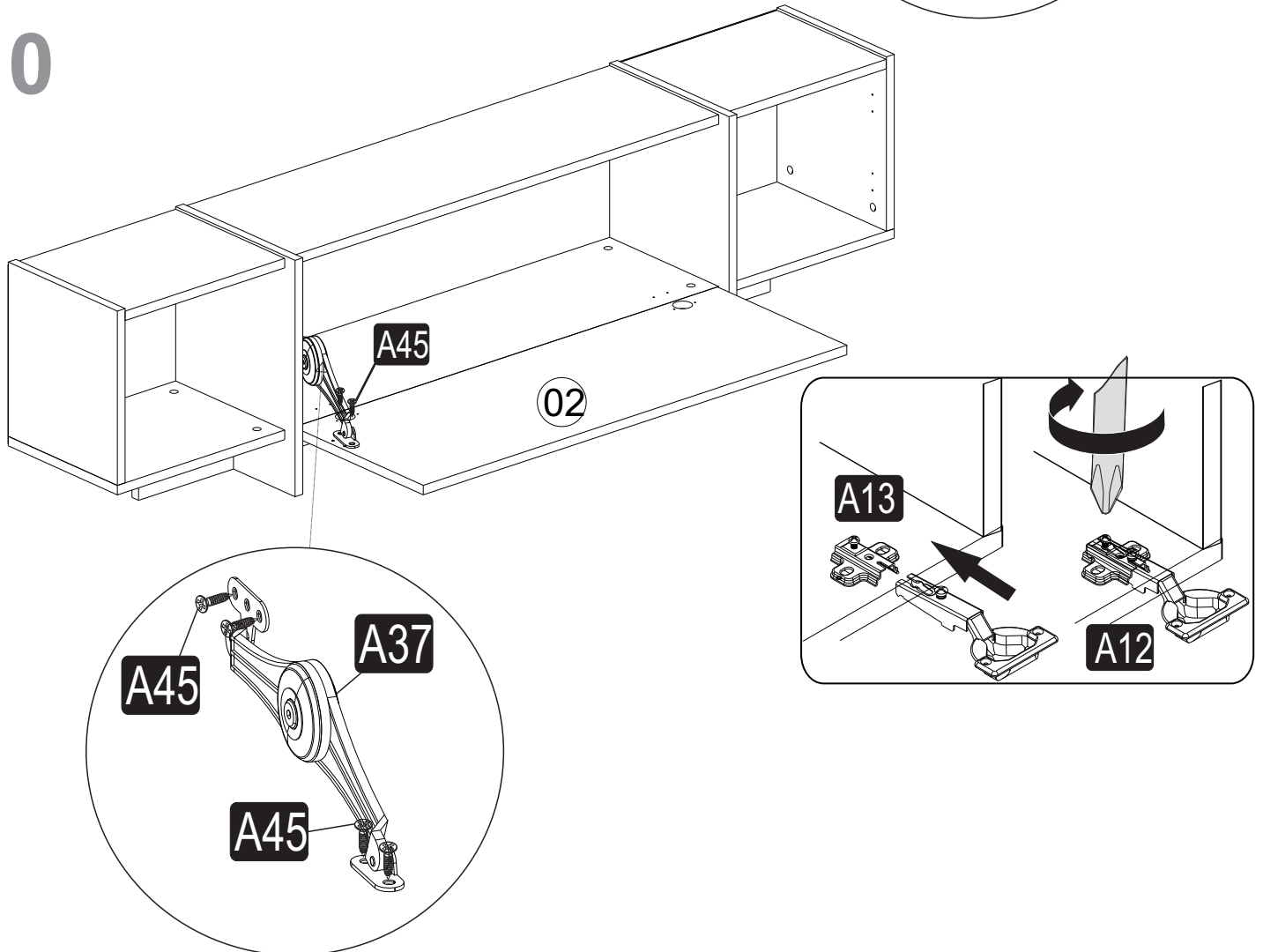


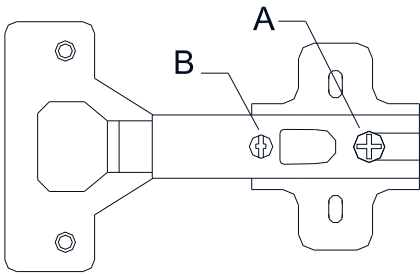
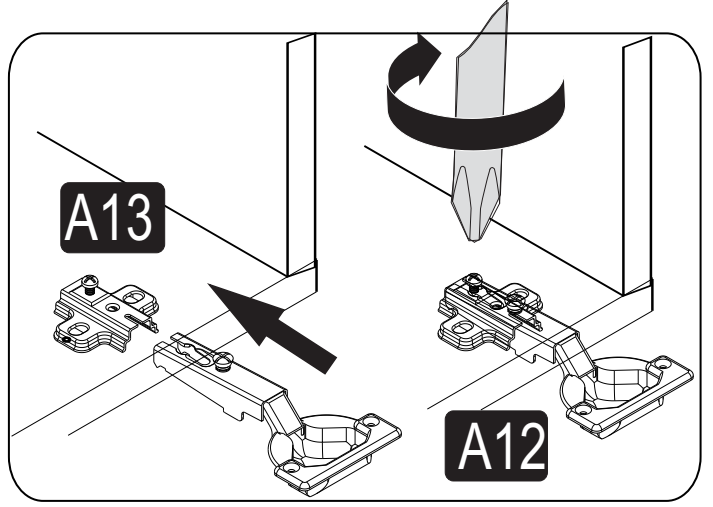
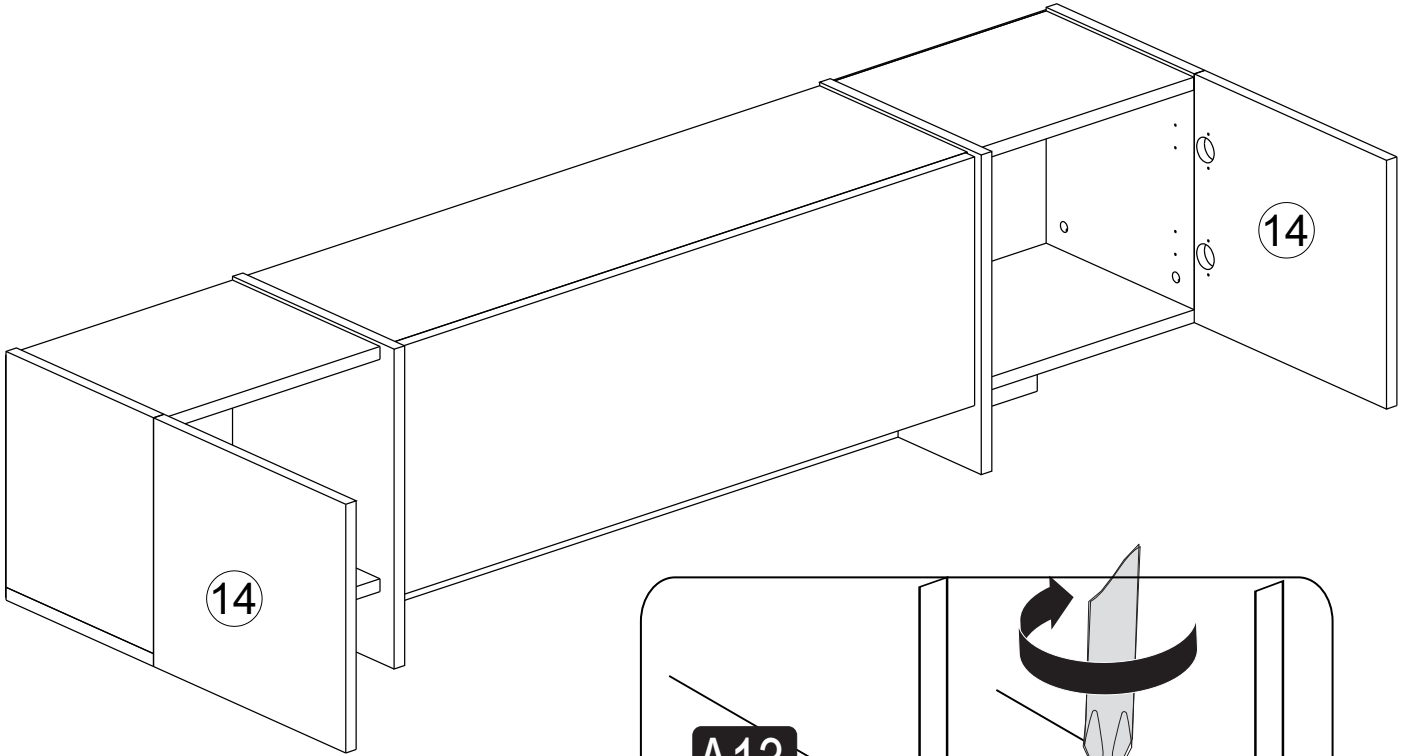


9

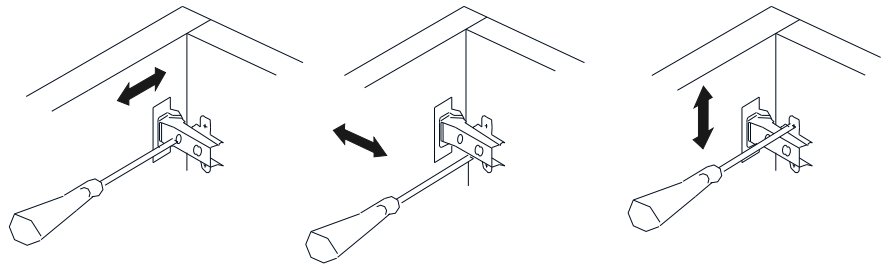


10





A= menteşe bağlama vidası / to connect the hinge to the door  
 B= kapak ayar vidası / to arrange the door



oklar kapağın ayarlama yönünü gösterir.  
 arrows to show the directions for arrangement of doors.

