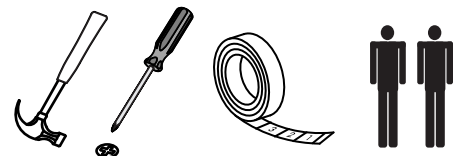


**i** GP042-0015,1


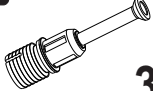


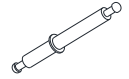

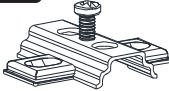
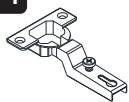
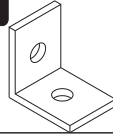
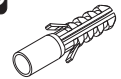






180 x 35 x 51cm

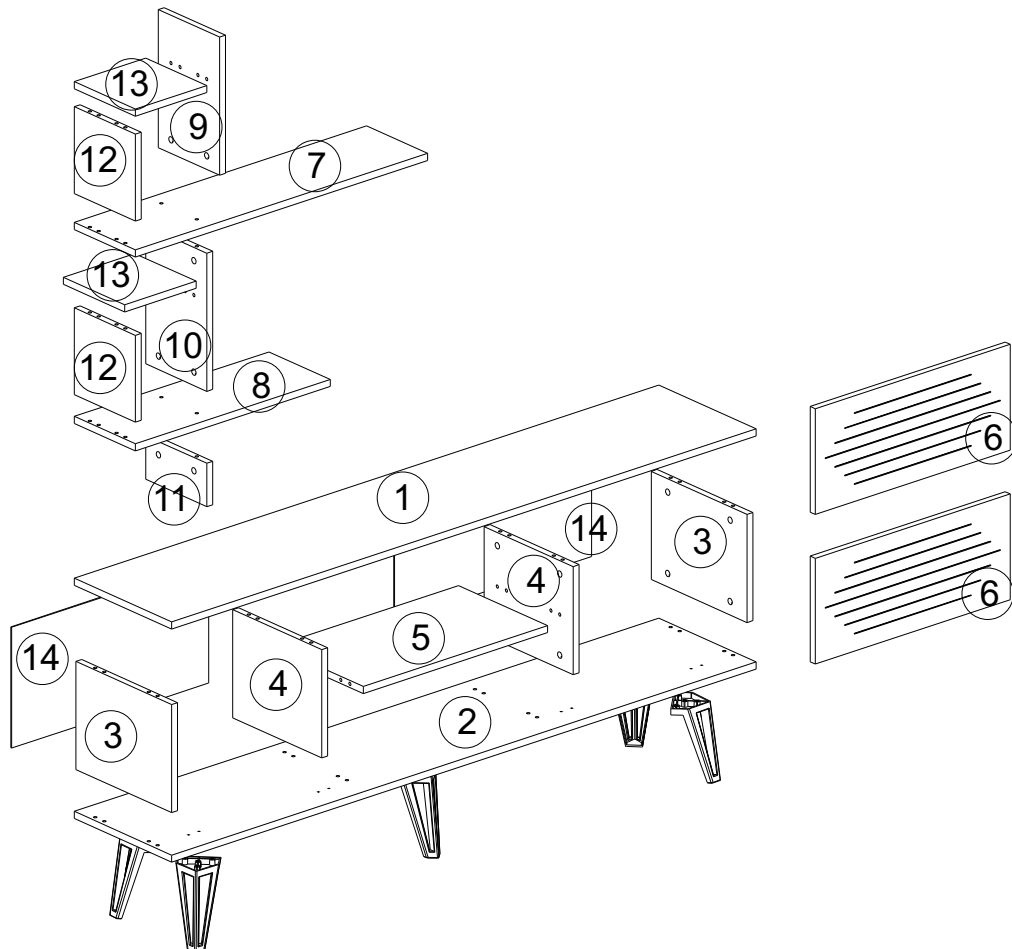


The necessary tools (not included)

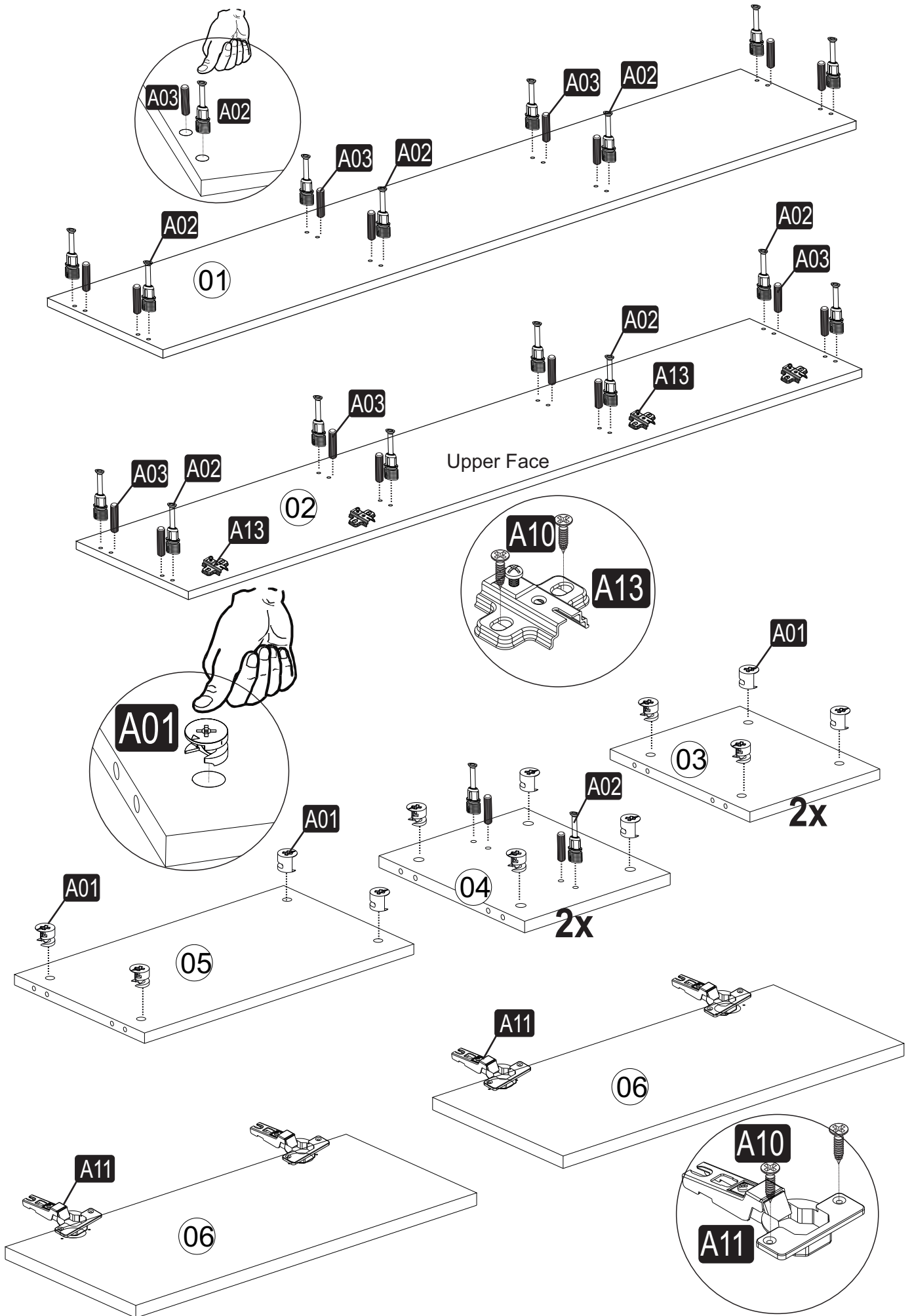
## ACCESSORY LIST

<b>A01</b>  40x	<b>A02</b>  32x	<b>A03</b>  32x	<b>A04</b>  A 40x	<b>A06</b> UM(Sgml)  4x
<b>A10</b> 3,5x18 YHB  19x	<b>A13</b> MA  4x	<b>A11</b> SPM  4x	<b>A07</b> -L  3x	<b>A08</b> Ø8  3x
<b>A09</b> 4x50 YHB  3x	<b>A29</b> 3,5x30 YHB  20x	<b>D17</b>  5x	<b>A28</b>  24x	

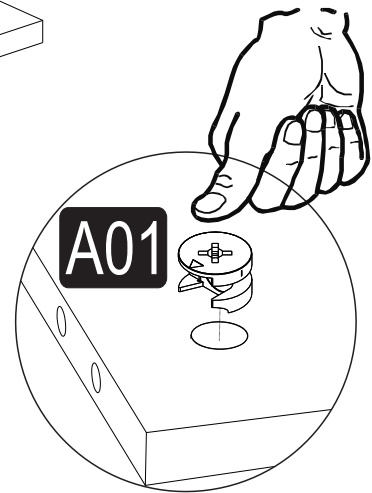
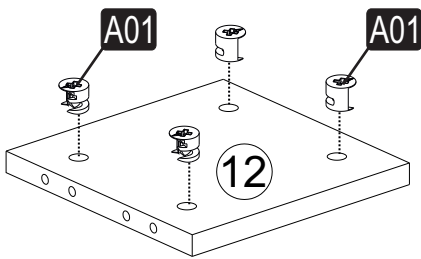
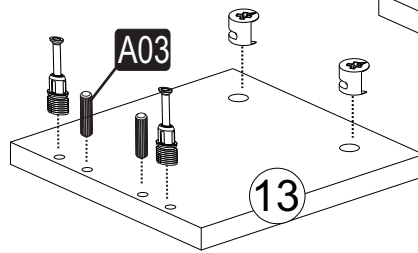
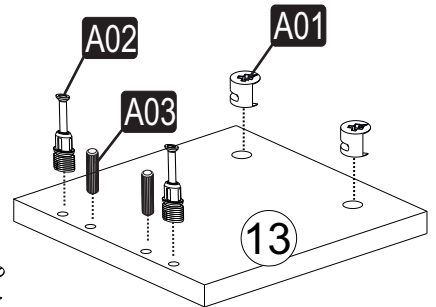
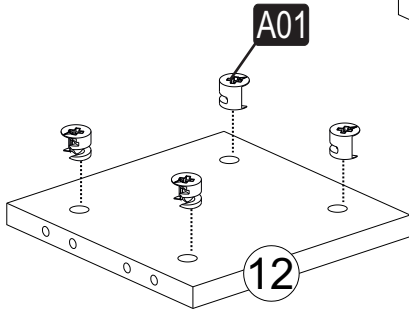
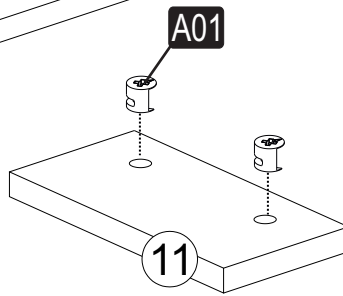
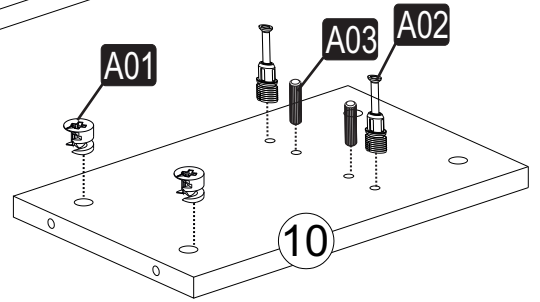
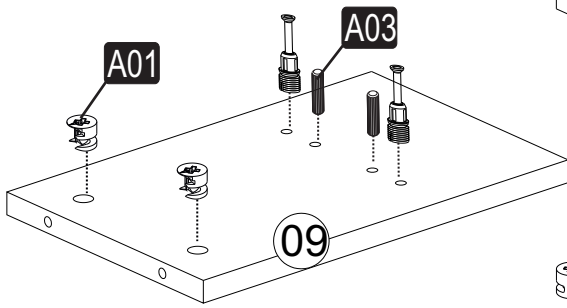
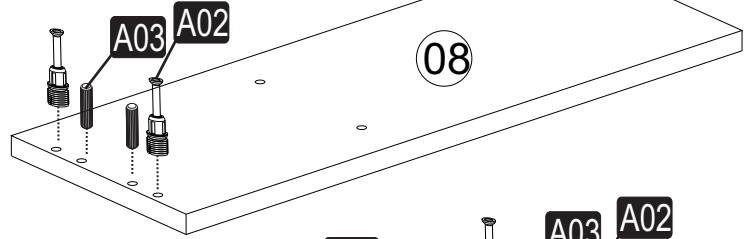
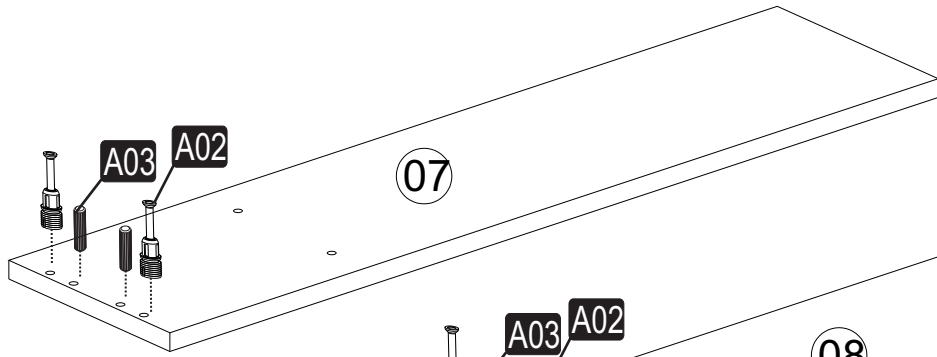
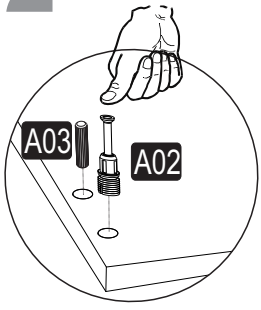
## GENERAL VIEW



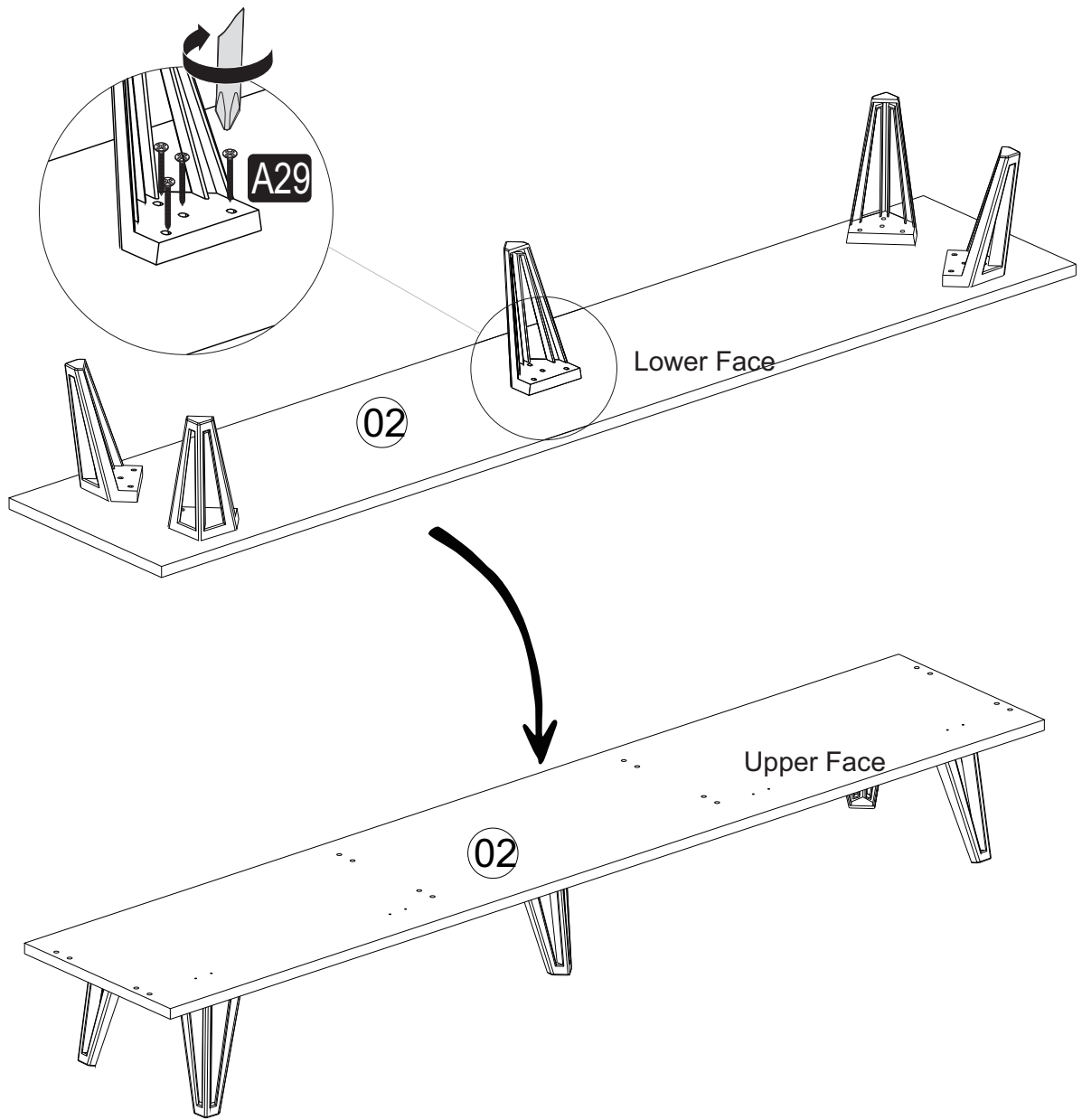
1



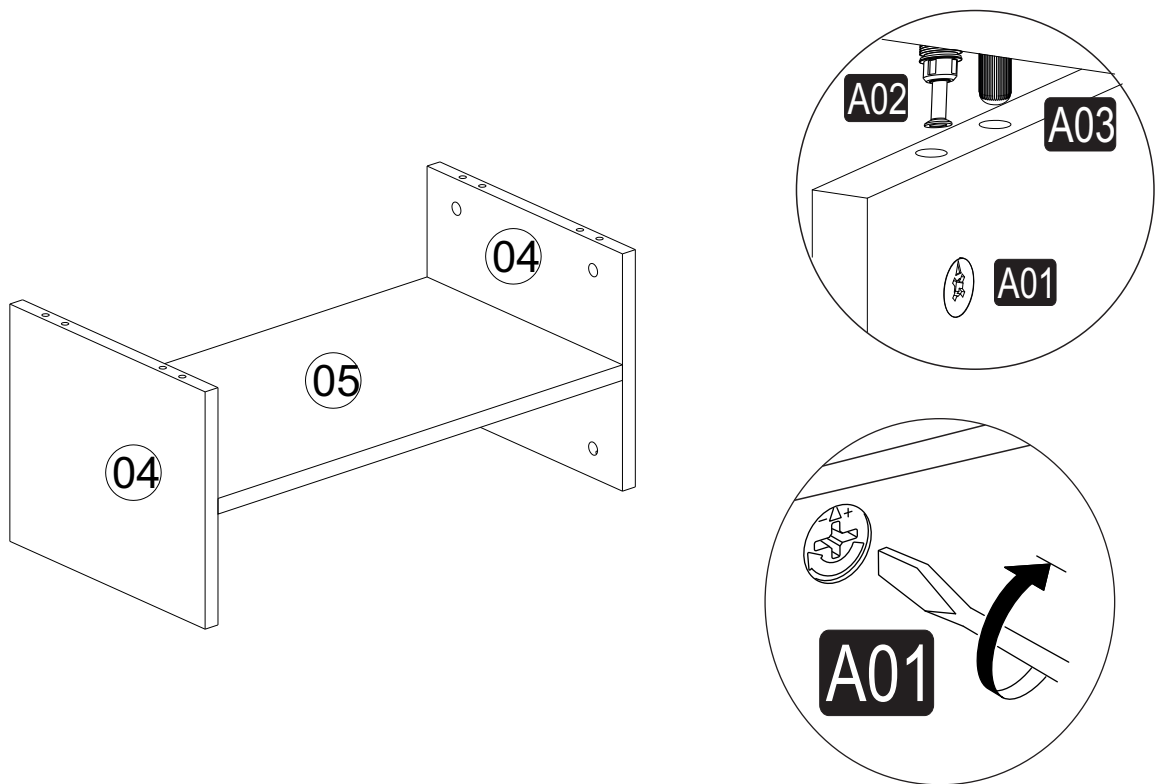
2



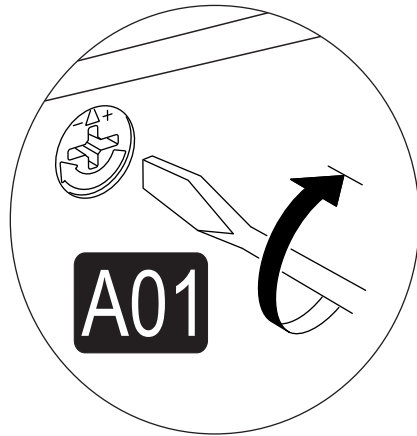
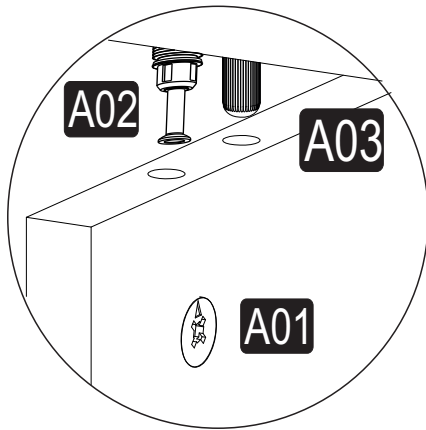
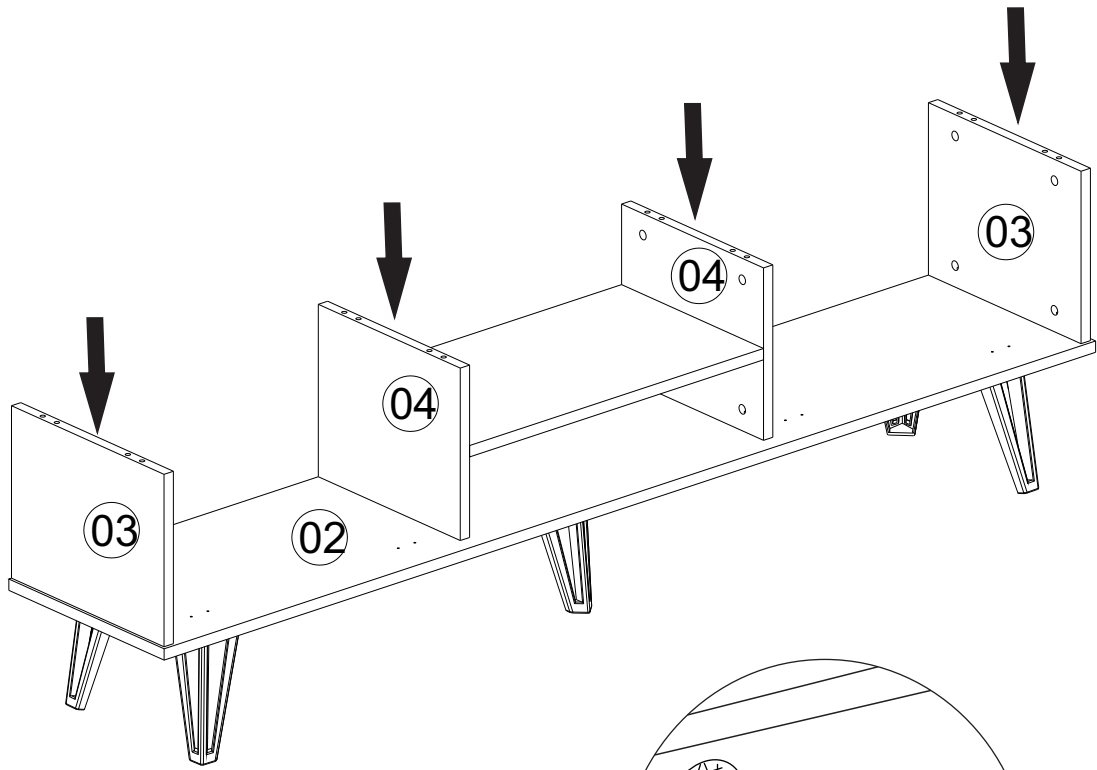
3



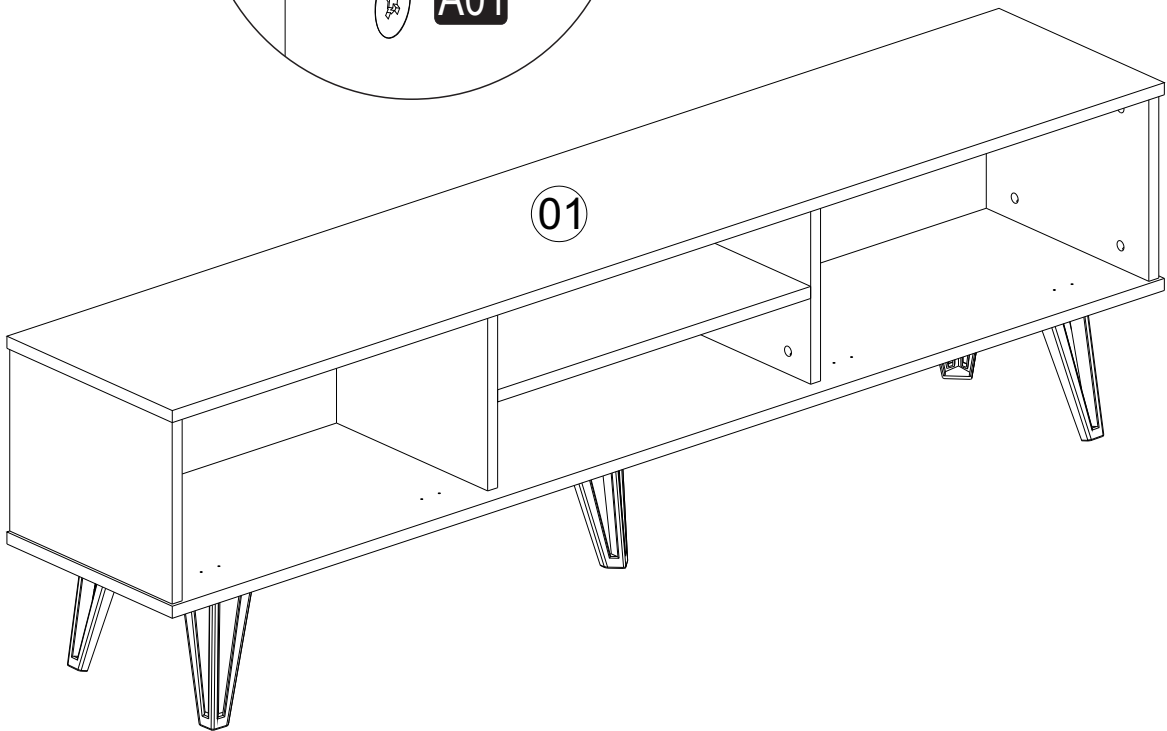
4



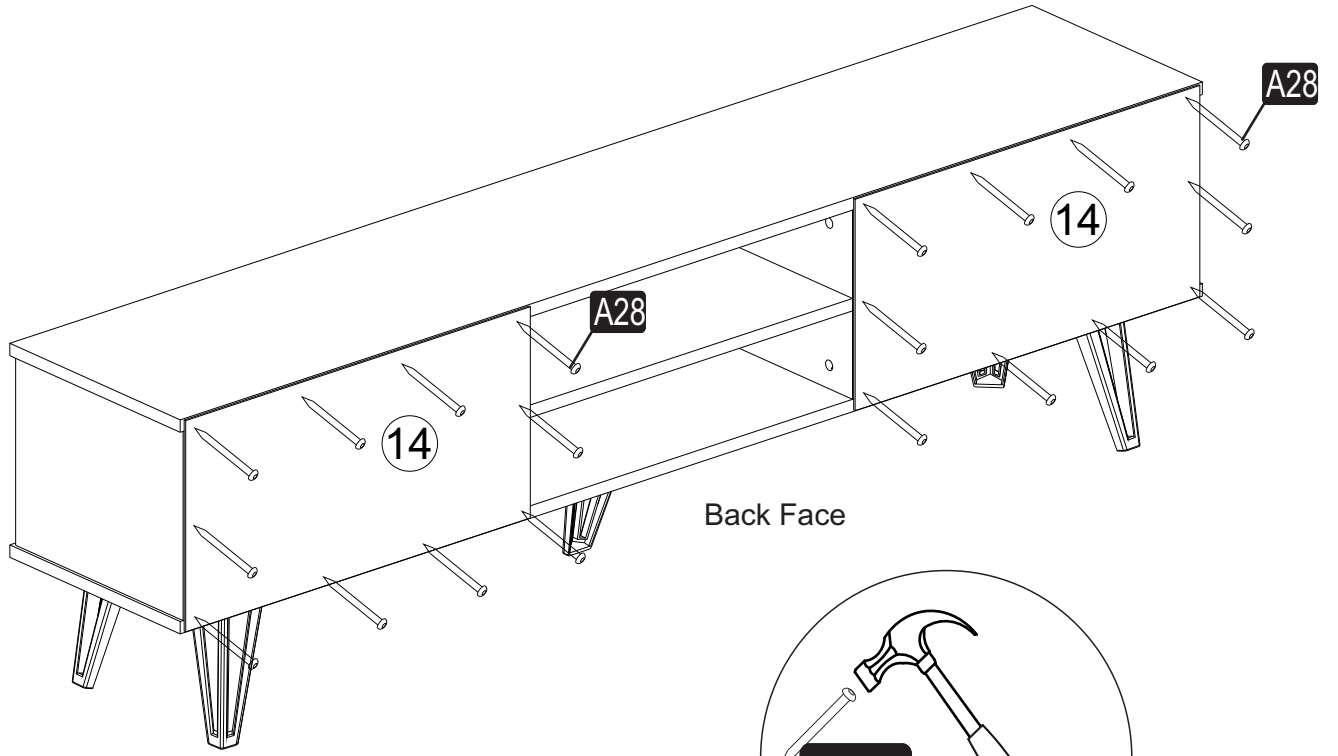
5



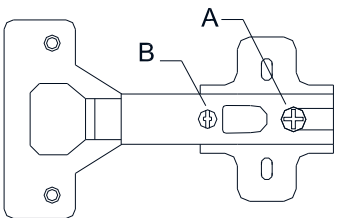
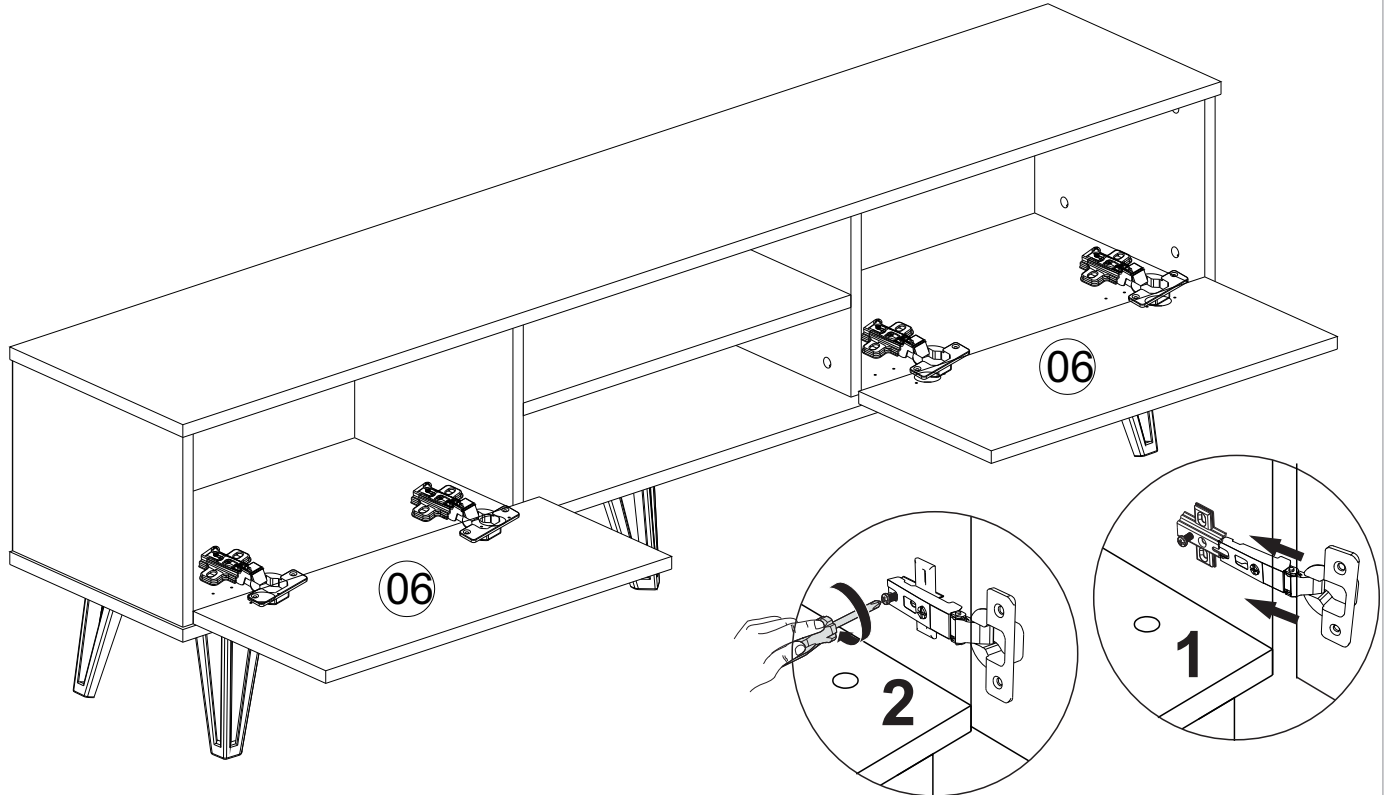
6



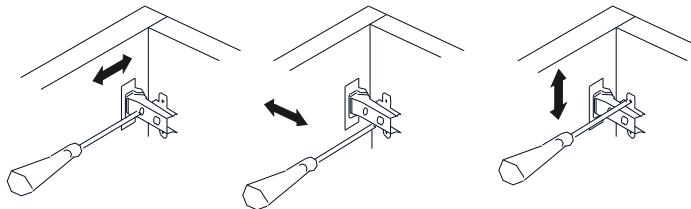
7



8



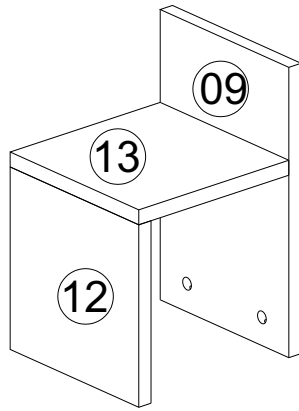
A= menteşe bağlama vidası / to connect the hinge to the door  
 B= kapak ayar vidası / to arrange the door



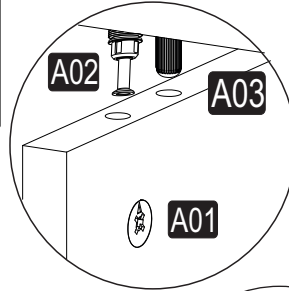
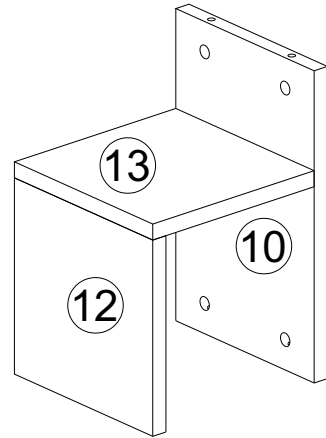
oklar kapağın ayarlama yönünü gösterir.  
 arrows to show the directions for arrangement of doors.

9

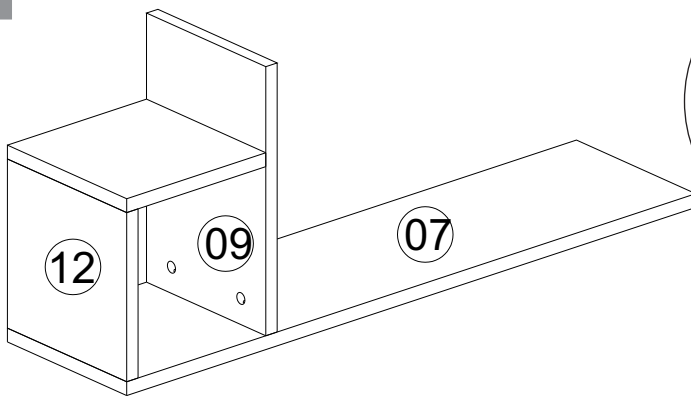
9



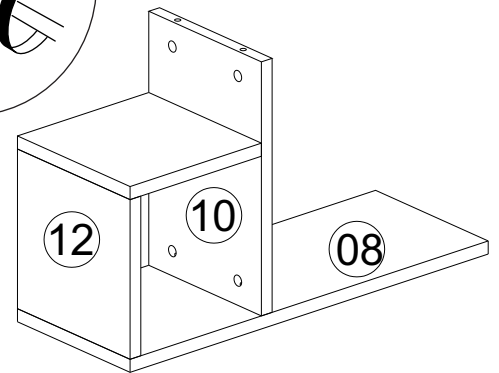
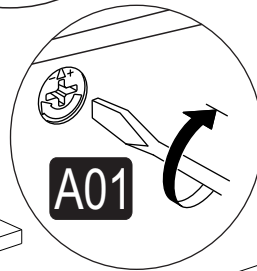
10



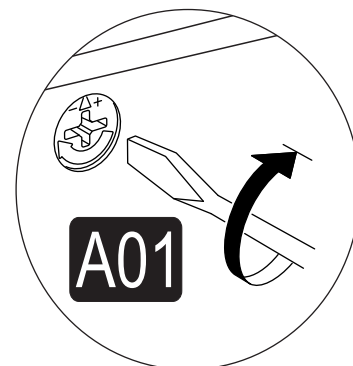
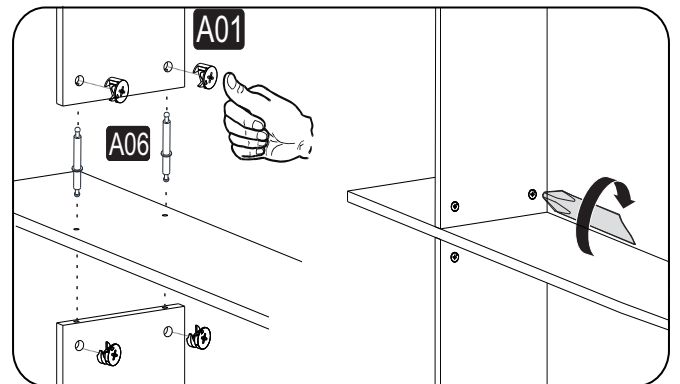
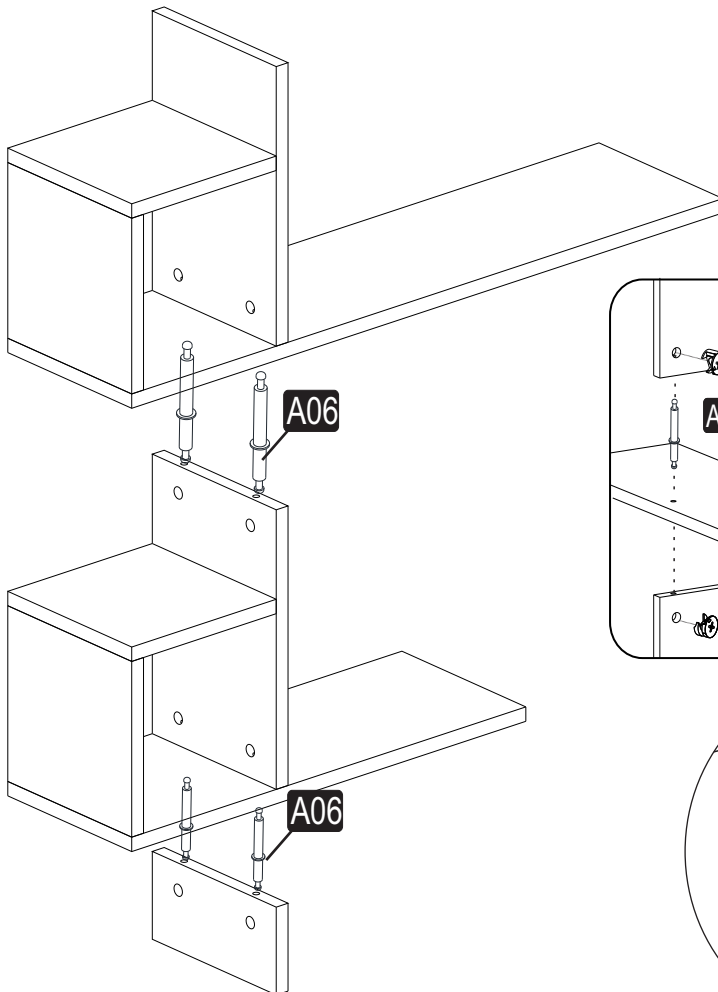
11

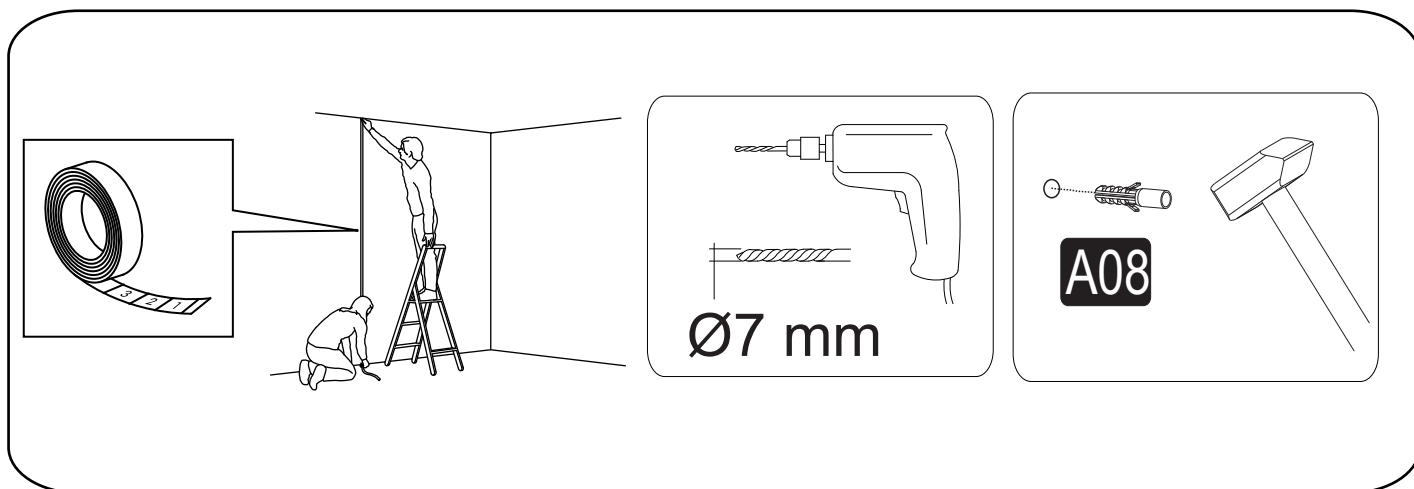
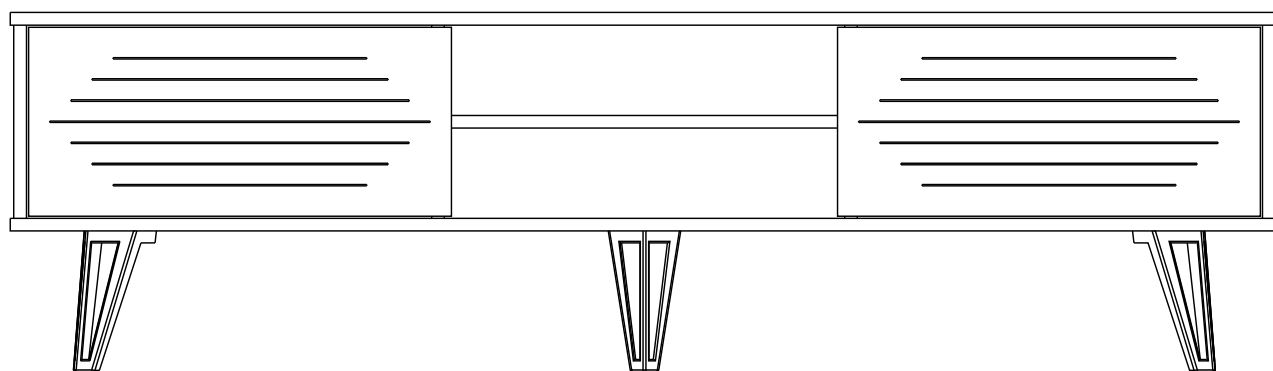
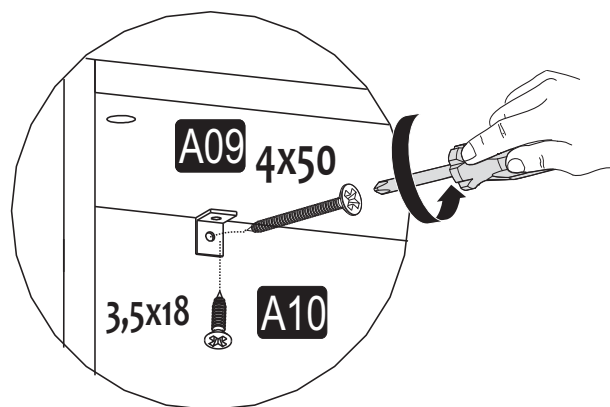
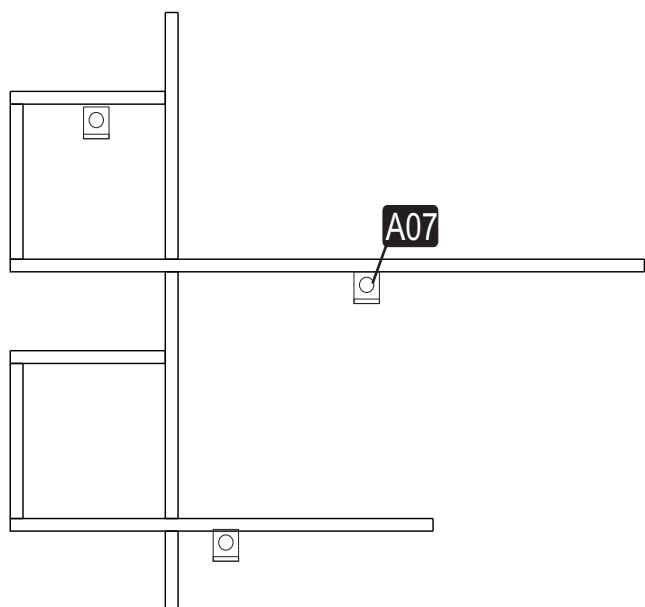


12



13





15

