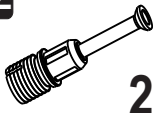

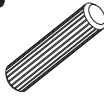


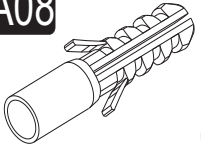
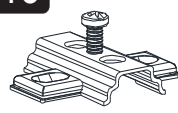


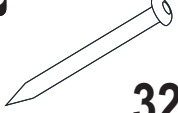
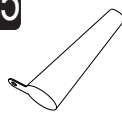



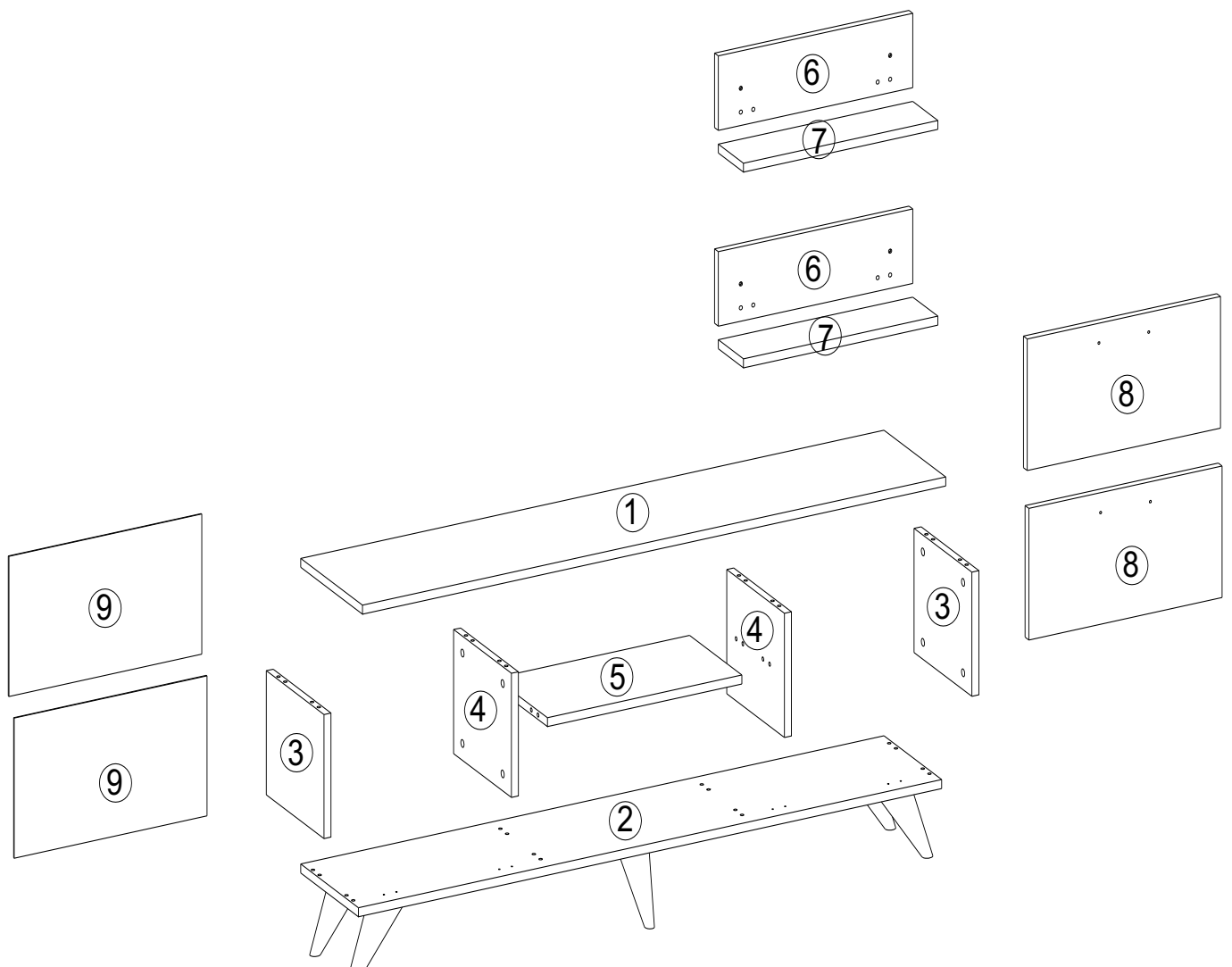


**i** GP042-0177,1

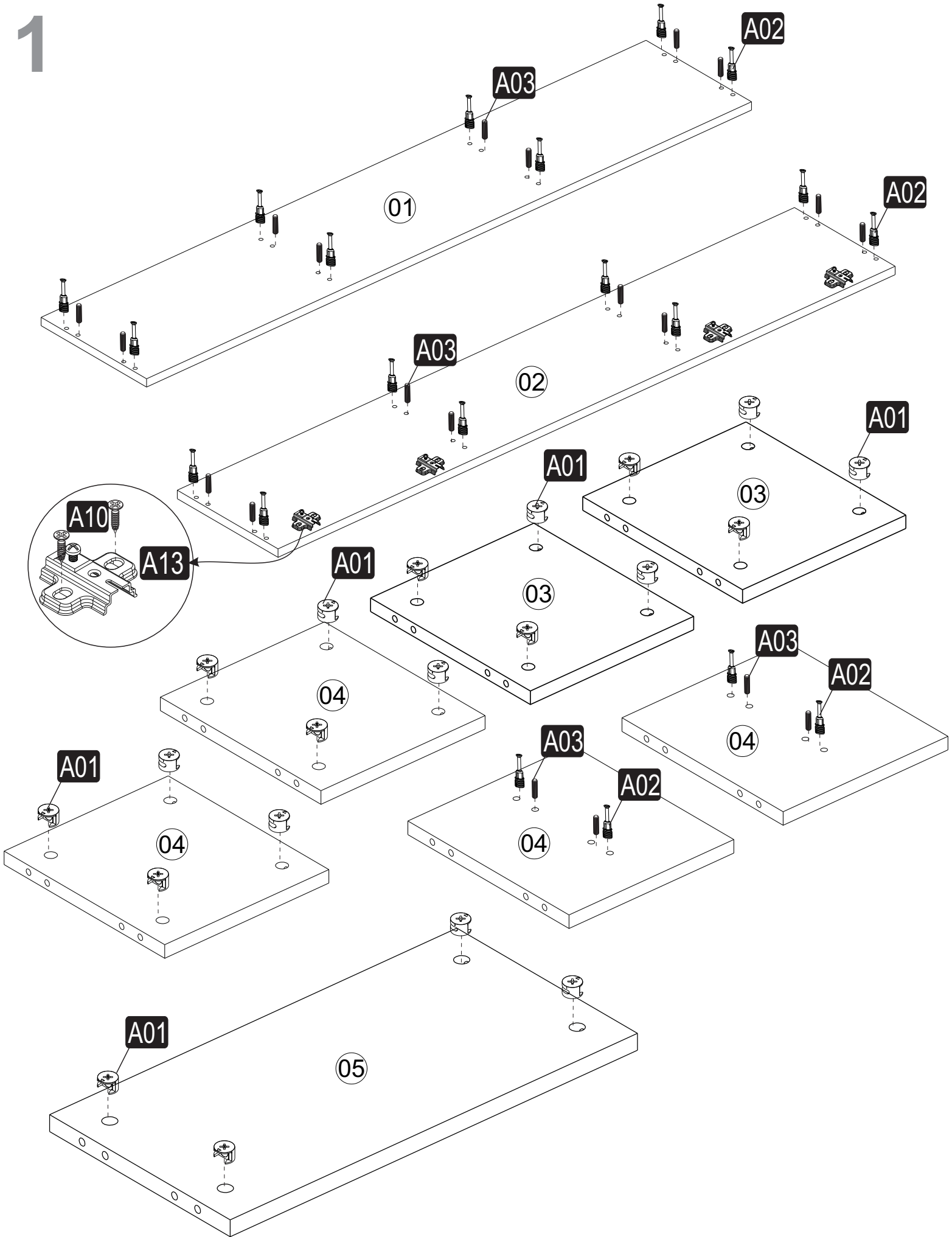


180 x 40 x 50cm

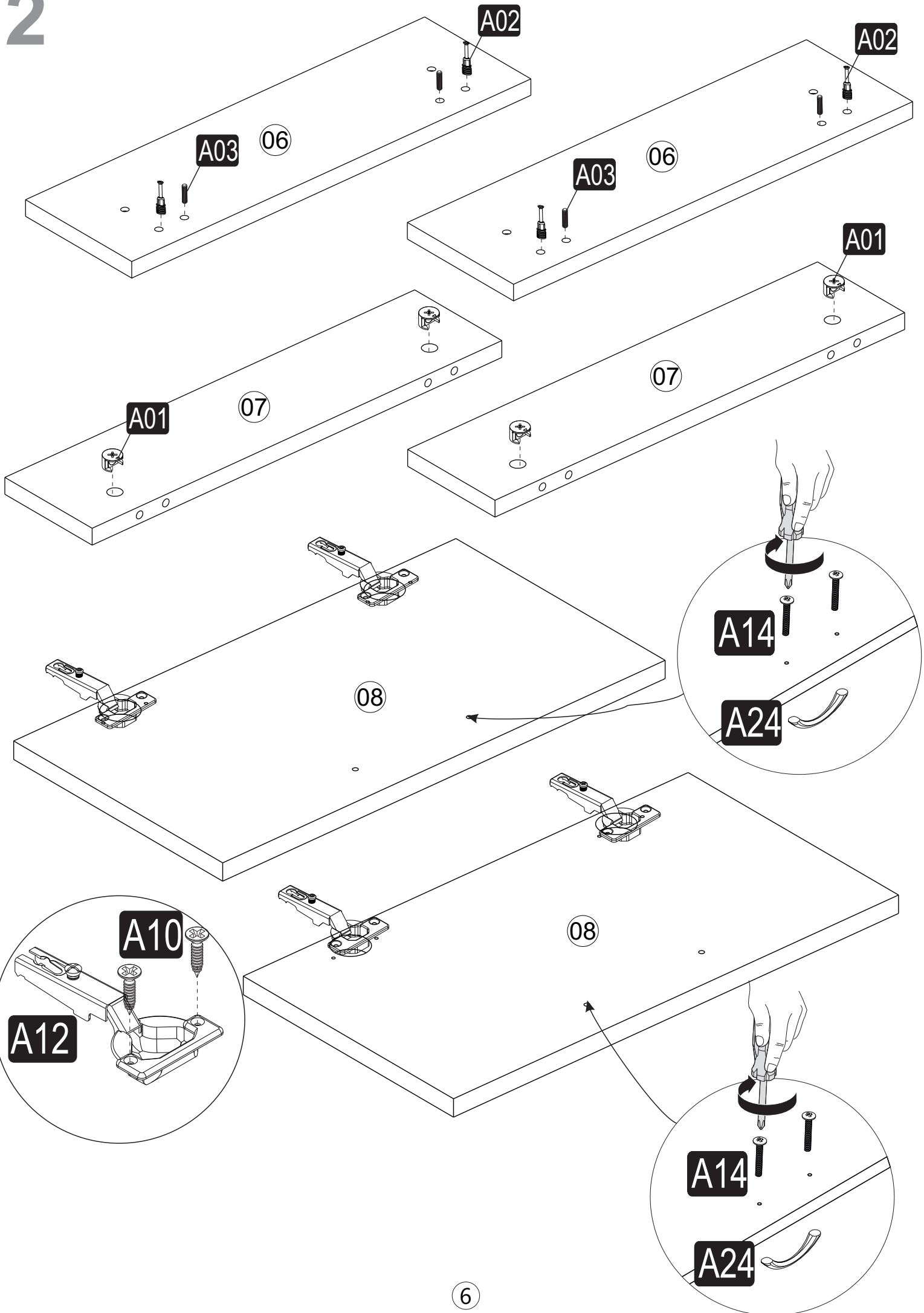
<b>A02</b>  <b>24x</b>	<b>A01</b>  <b>24x</b>	<b>A03</b>  <b>24x</b>	<b>A09</b> 4x50  <b>4x</b>	<b>A10</b> 3,5x18  <b>41x</b>
<b>A08</b> Ø8  <b>4x</b>	<b>A13</b>  <b>4x</b>	<b>A12</b>  <b>4x</b>	<b>A14</b> M4x22  <b>4x</b>	<b>A28</b>  <b>32x</b>
<b>A35</b> 12cm  <b>5x</b>	<b>A24</b> 128 mm  <b>2x</b>	<b>A04</b>  <b>A 24x</b>	<b>A16</b>  <b>D 4x</b>	



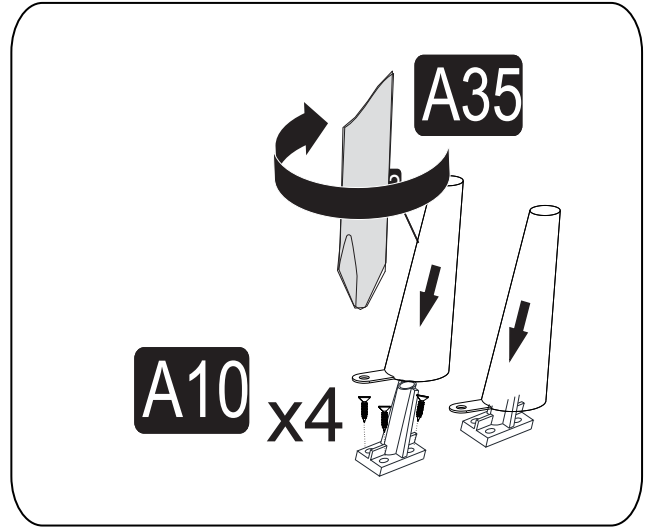
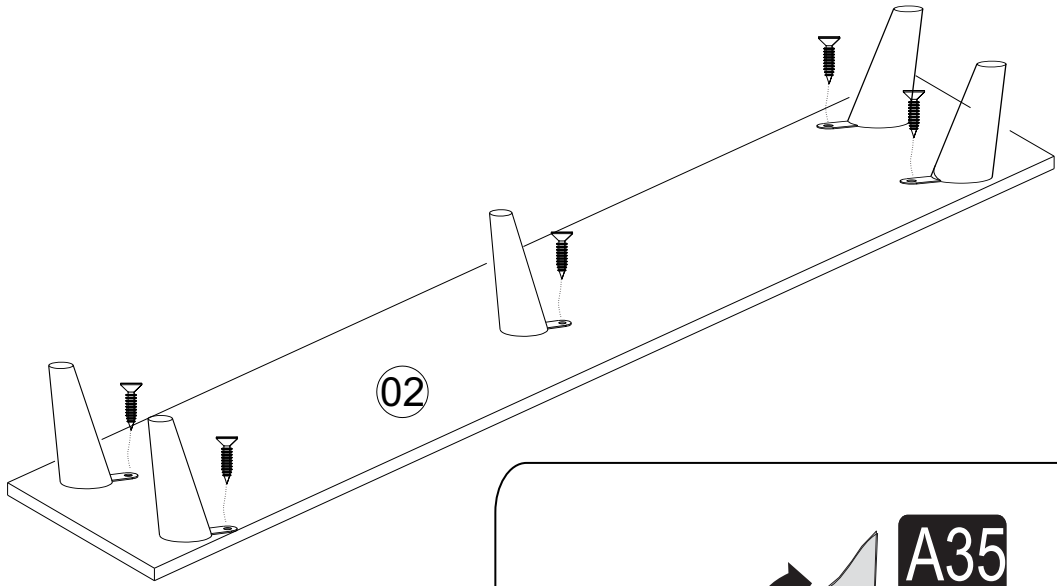
1



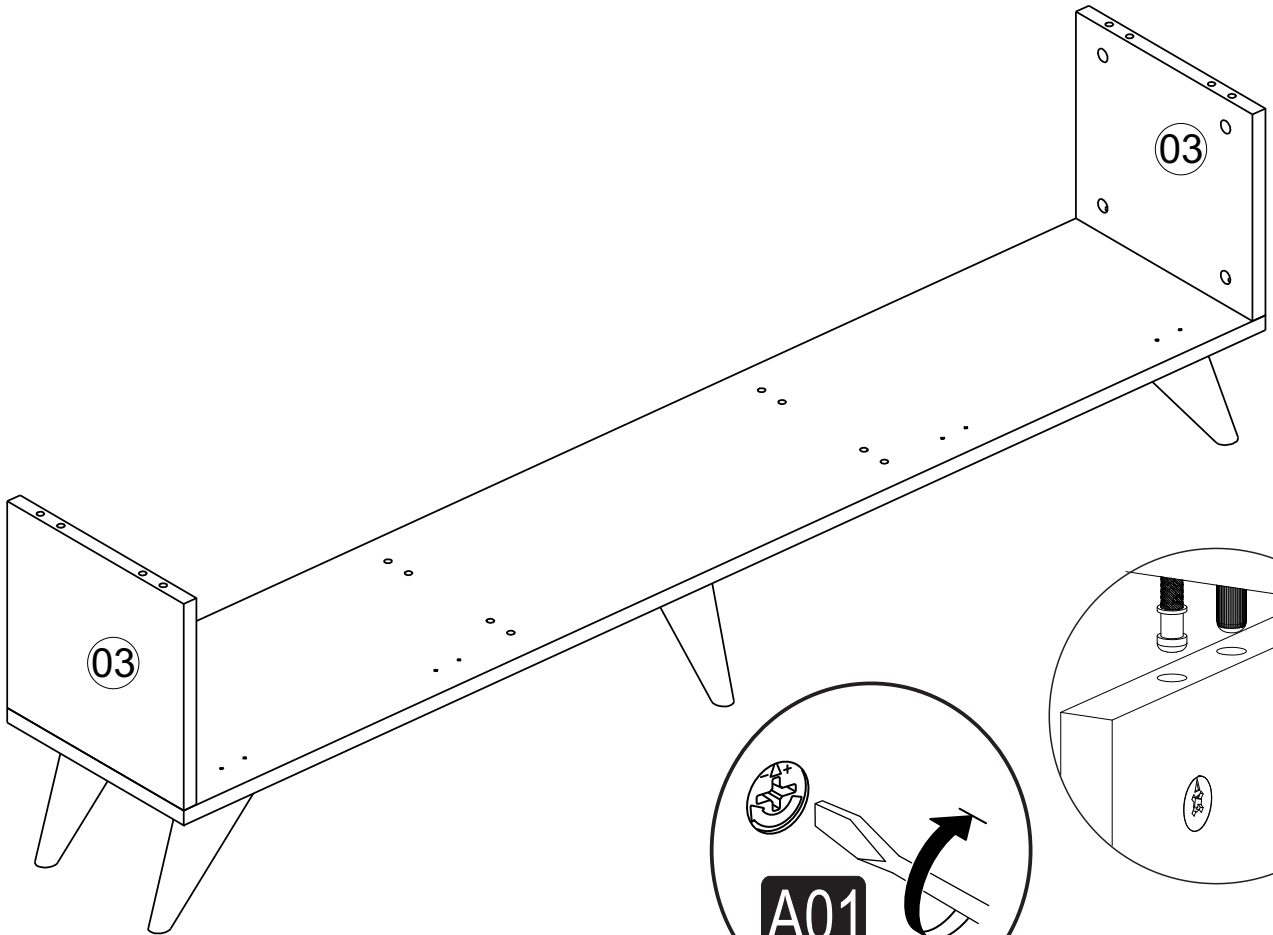
# 2



3

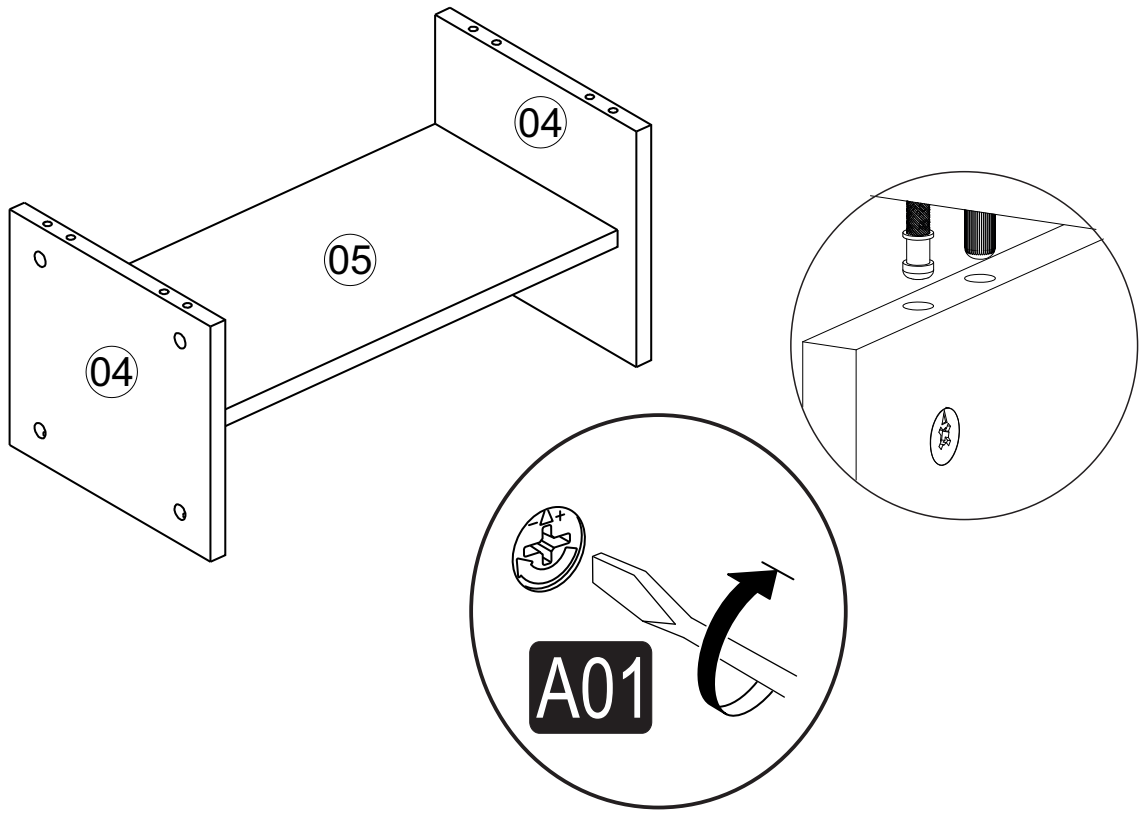


4

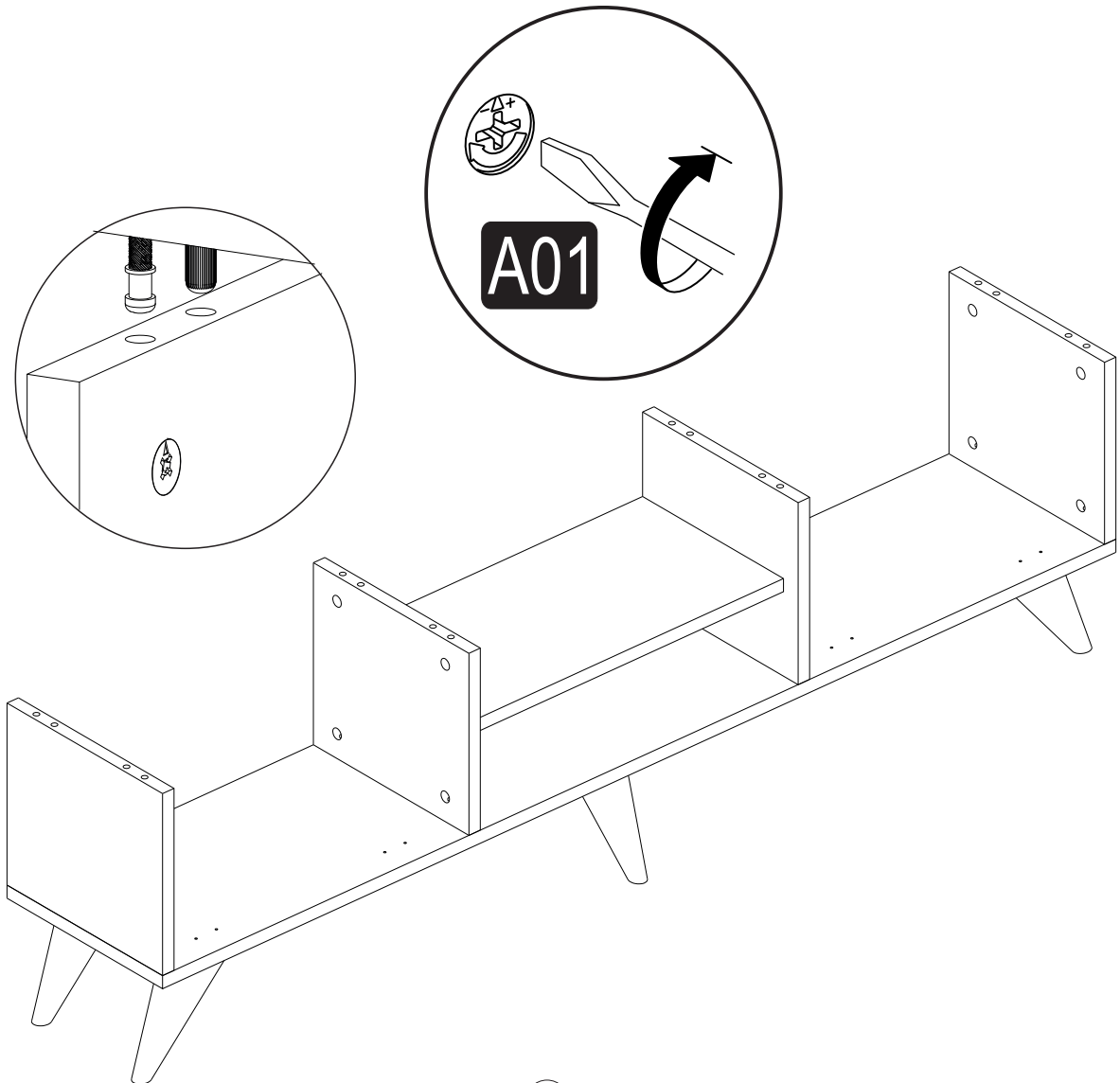


7

5

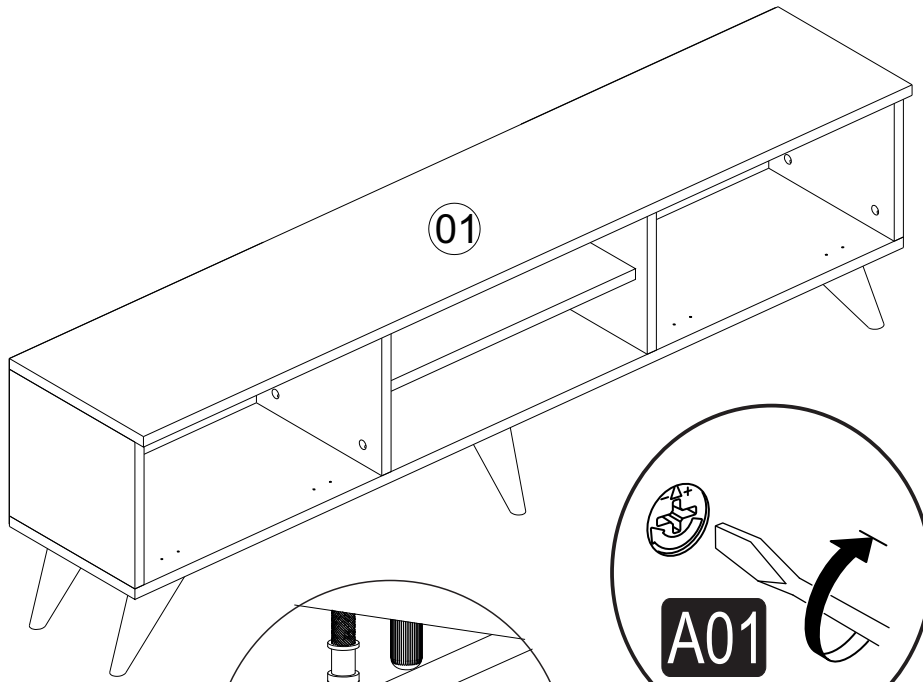


6

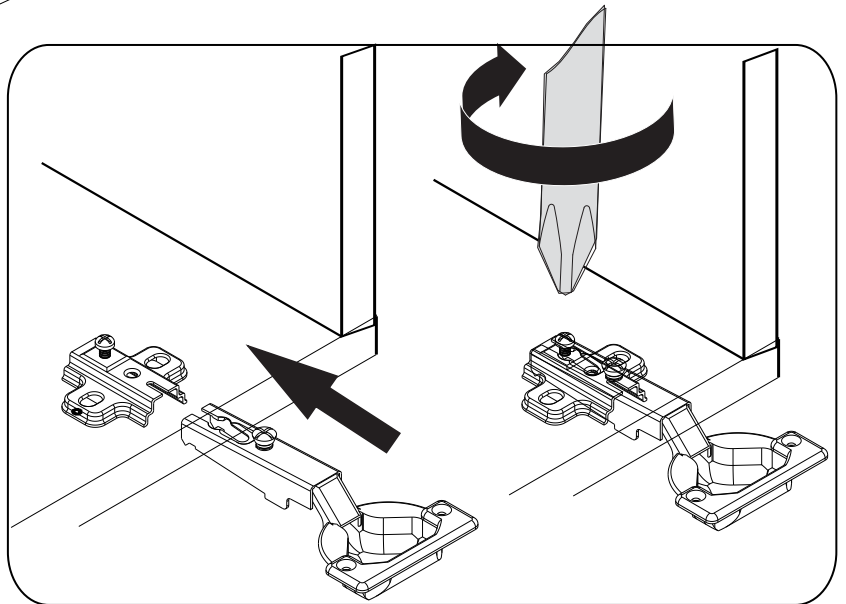
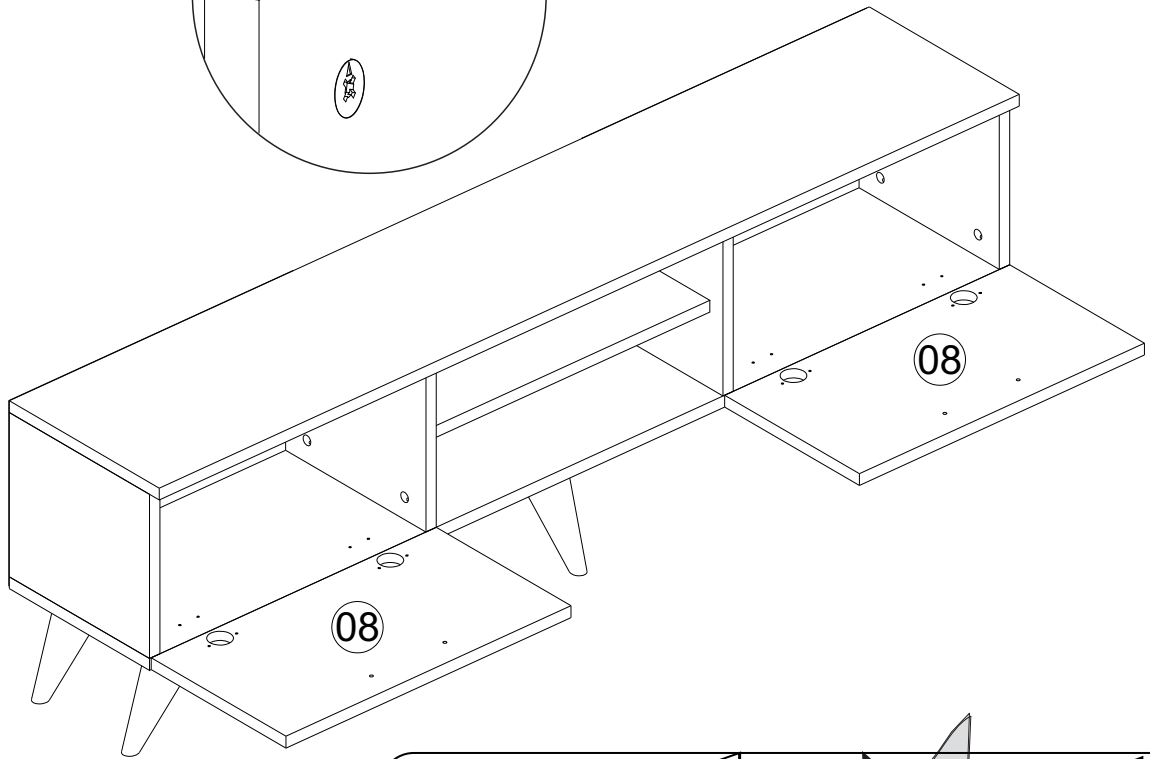


8

7

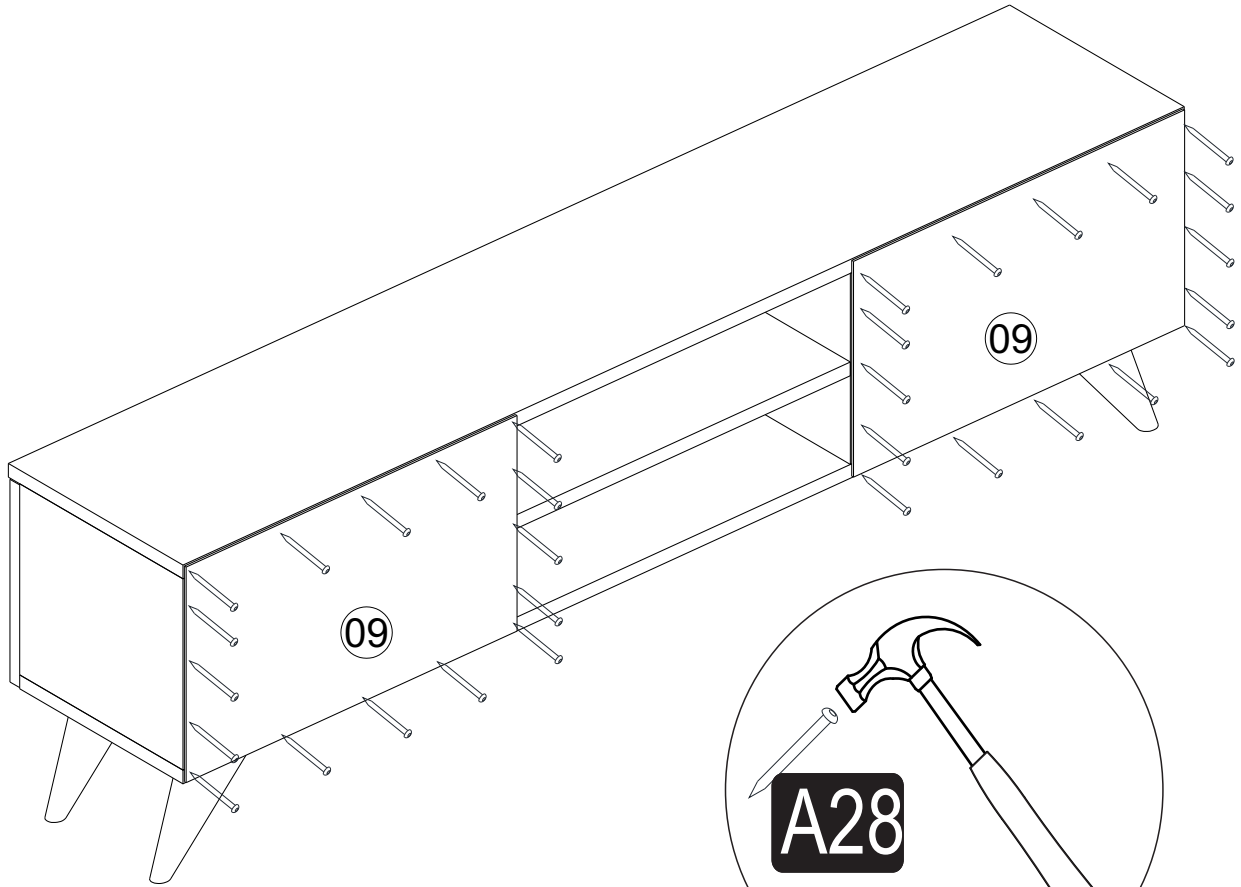


8

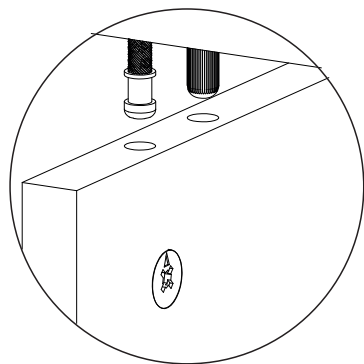
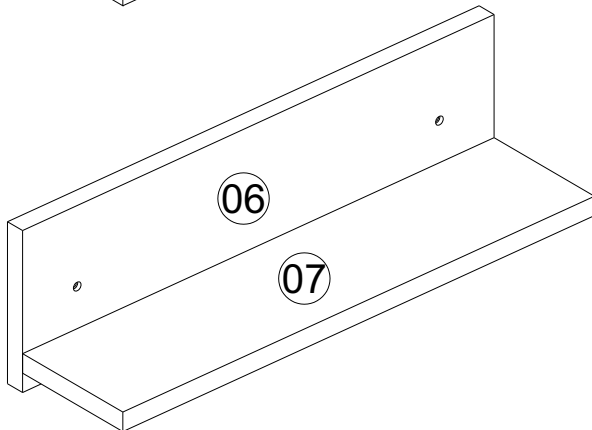
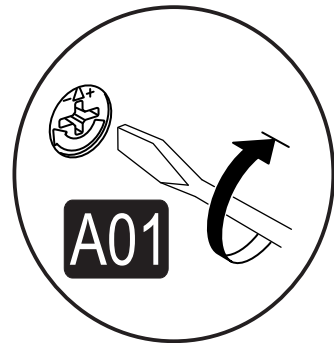
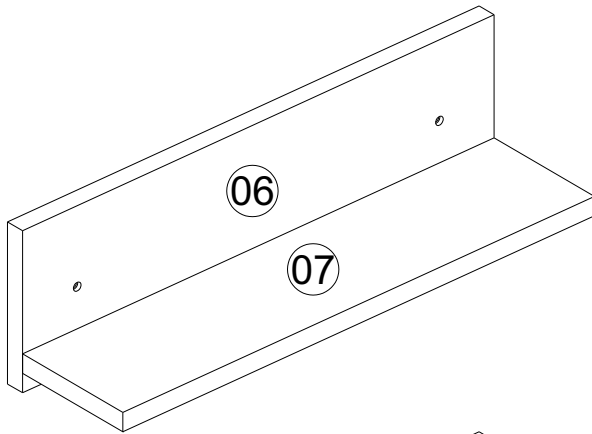


9

9



10



10

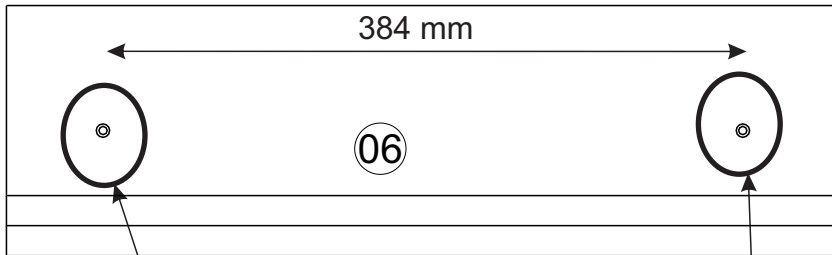
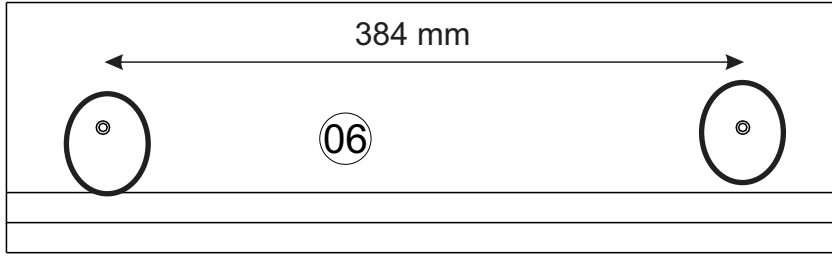


Diagram illustrating the installation process:

- Tools required: Drill,  $\text{Ø}7 \text{ mm}$  bit, Screw A08, Hammer.
- Step A09: Shows a person measuring the wall and a close-up of a screw being inserted into a hole.
- Step A16: Shows a hand holding a corner bracket being secured to the wall.

