
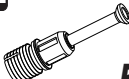
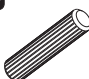






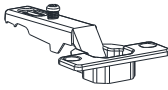
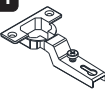
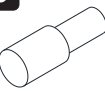





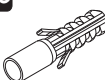

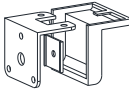
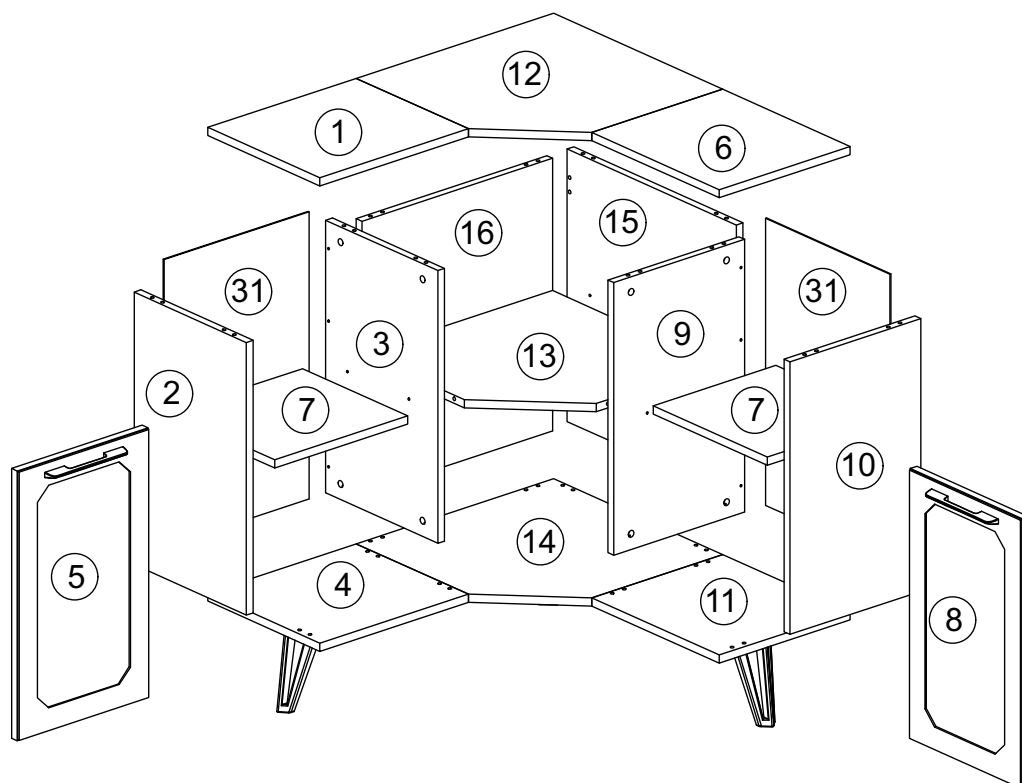
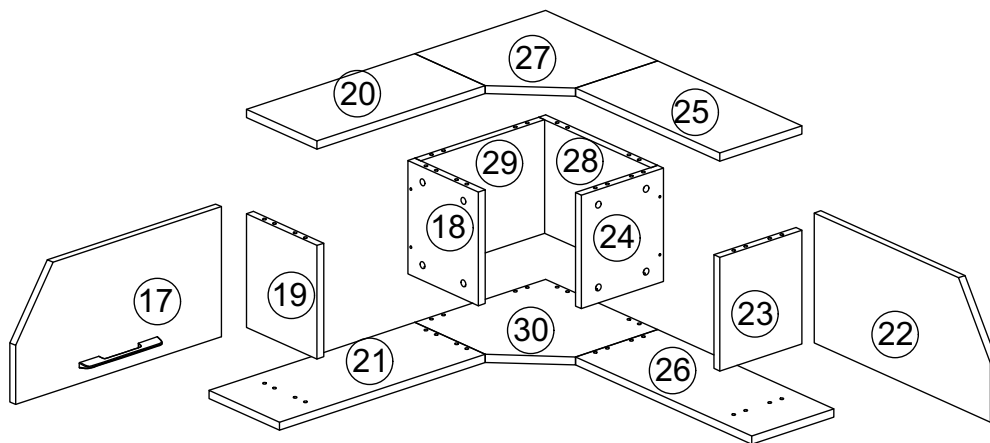


i GP042-0209,1

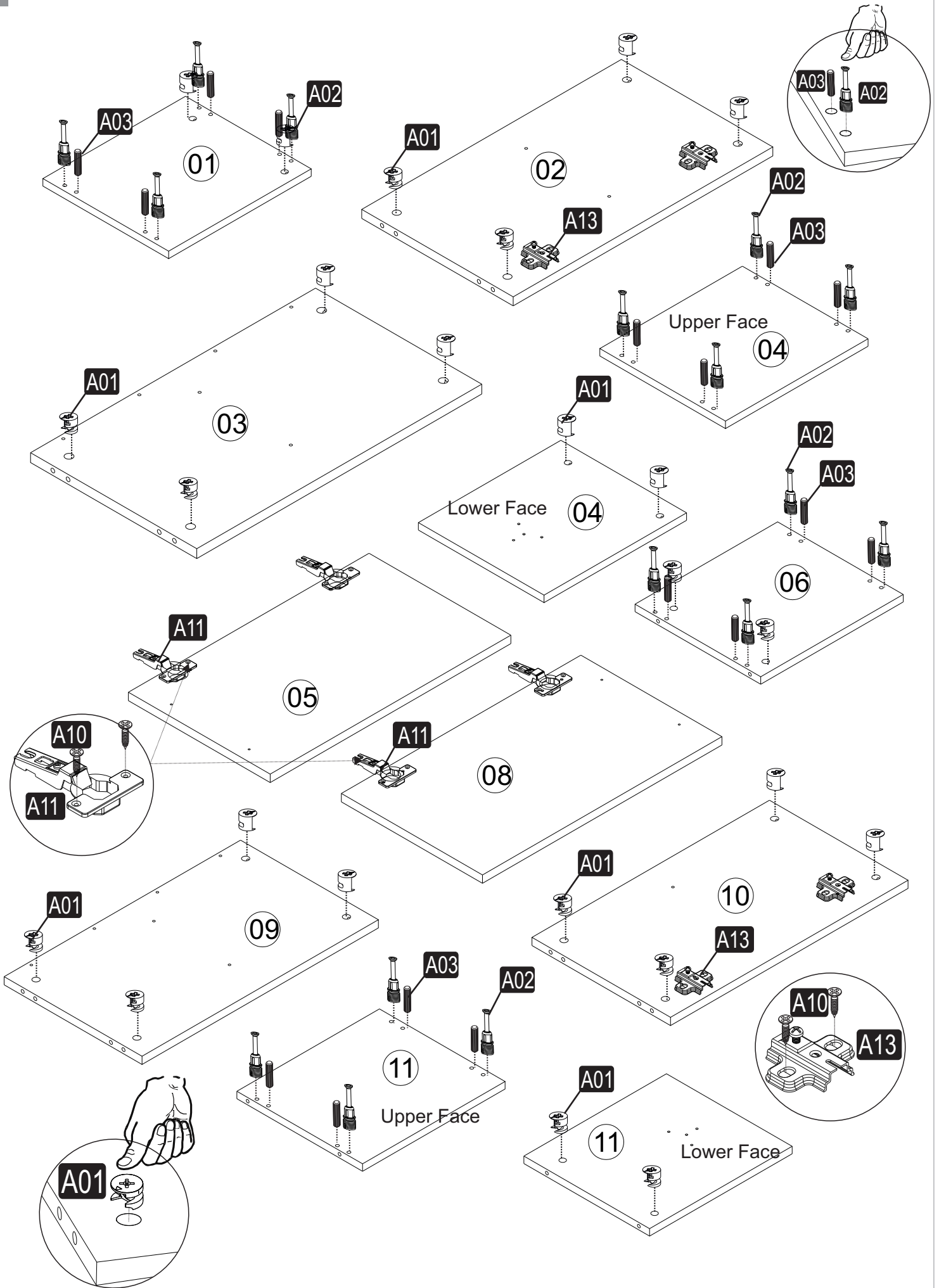


92,5 x 35 x 83,6cm

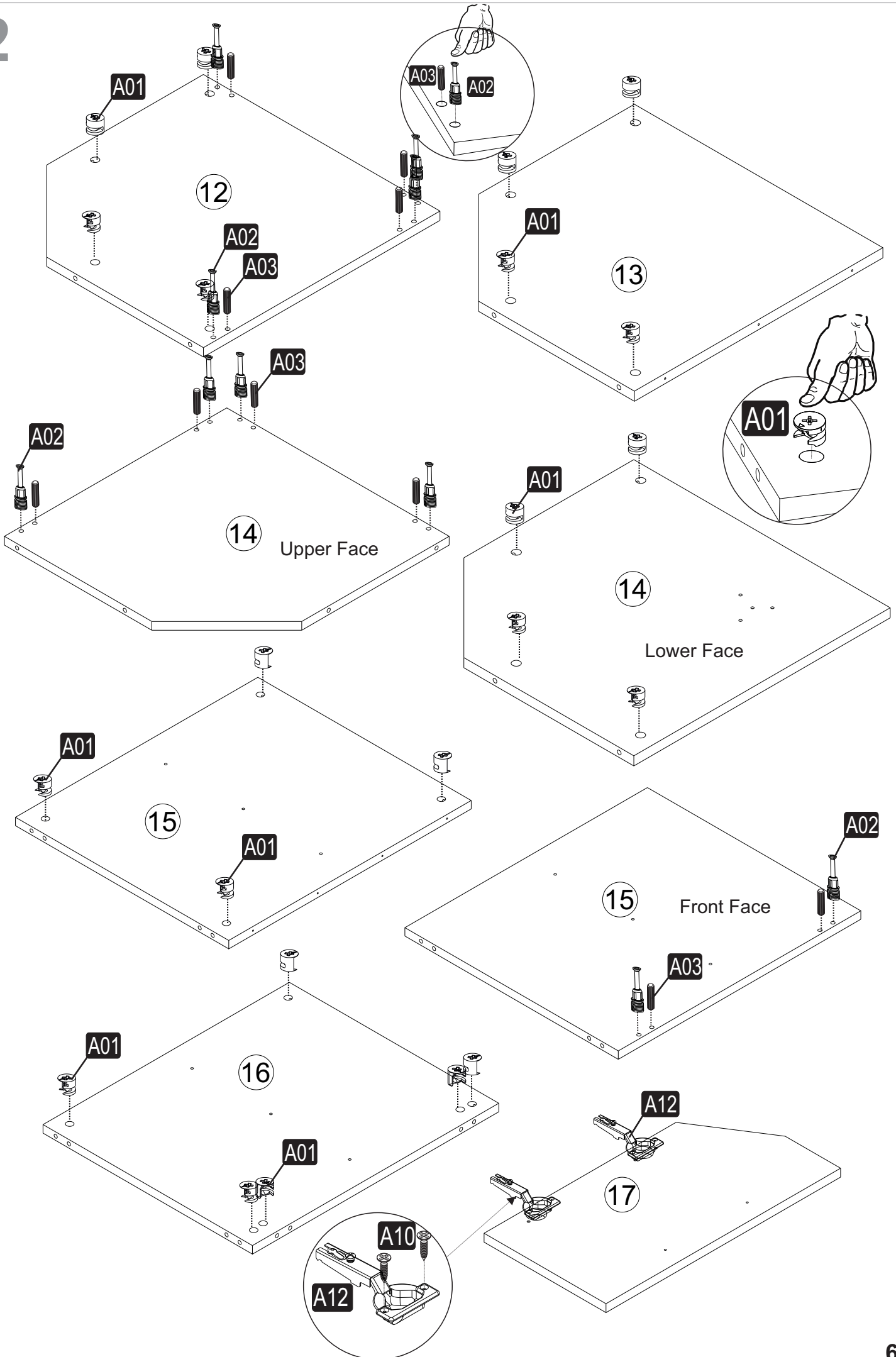
A01  86x	A02  54x	A03  50x	A28  40x	C07  SYH 3x
C06 3,5x30  6x	D17 20 CM (SYH)  3x	A44  16x	A13 MA  8x	A12 DM  4x
A11 SPM  4x	A23  8x	A10 3,5x18 YHB  40x	A09 4x50 YHB  20x	A29 3,5x30 YHB  12x
A04 A 36x D 50x 	A16 A 8x D 12x 	D69 Ø8 Lik  4x	D41 5x70 YHB  4x	A41  4x

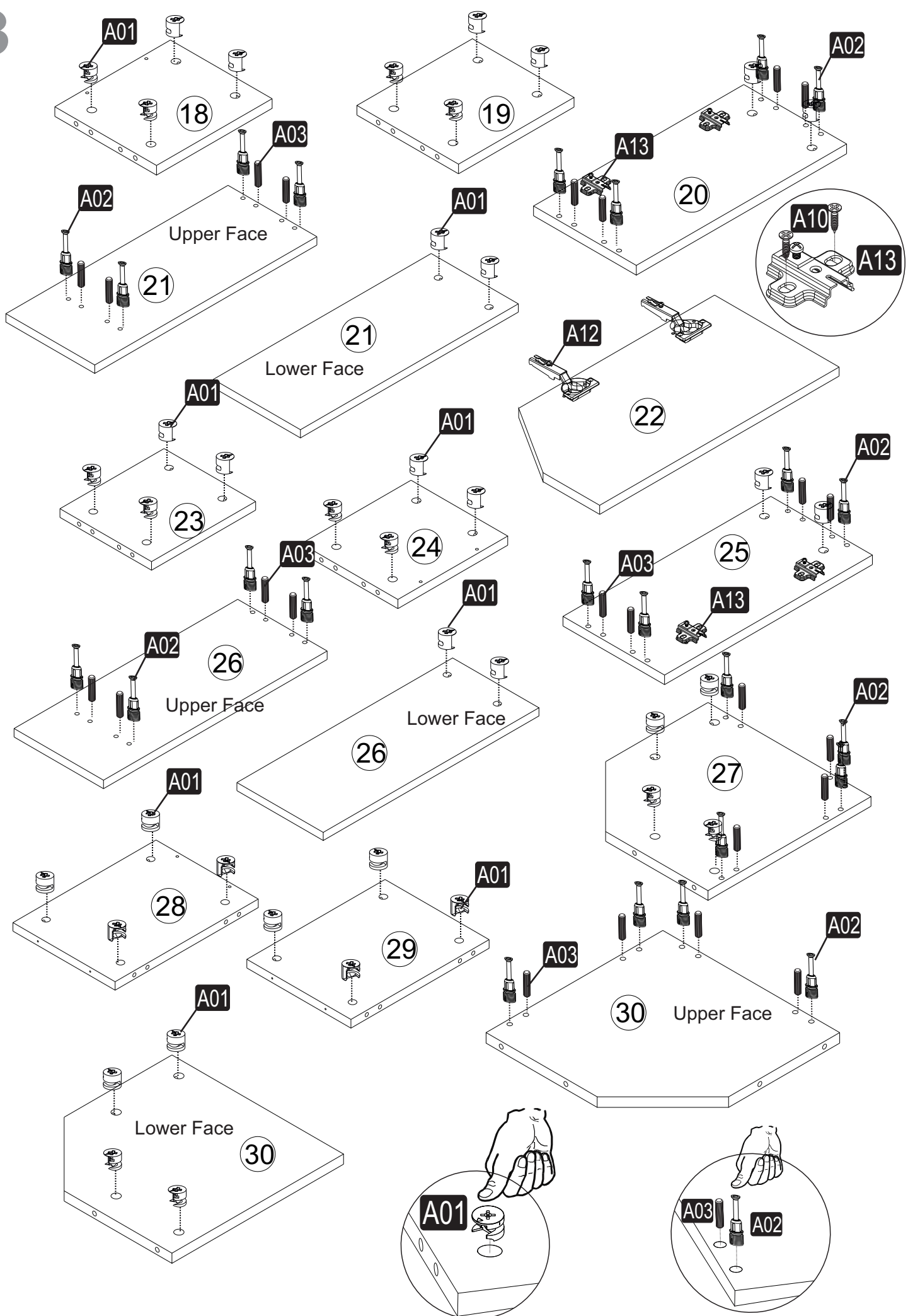


1

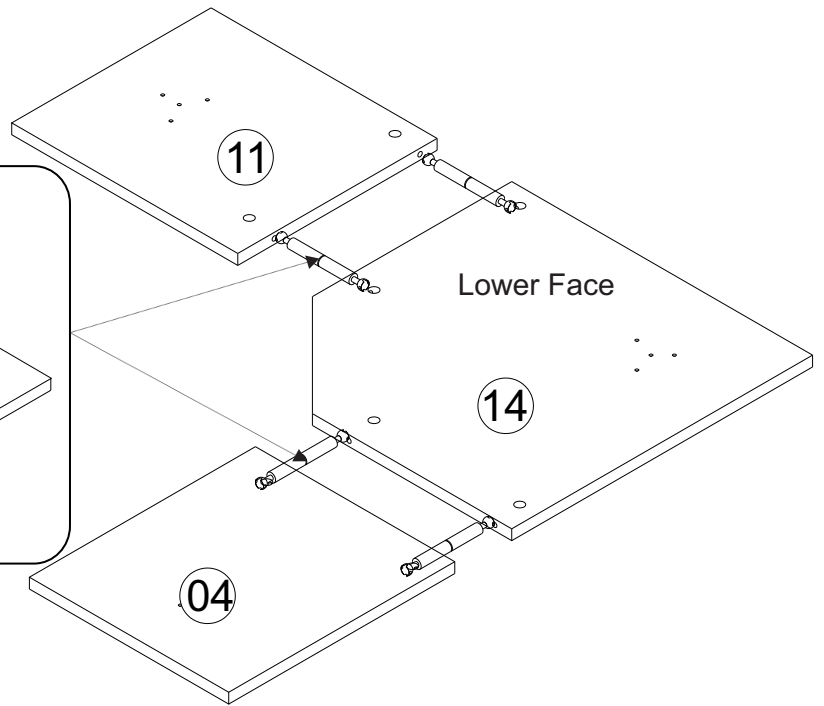
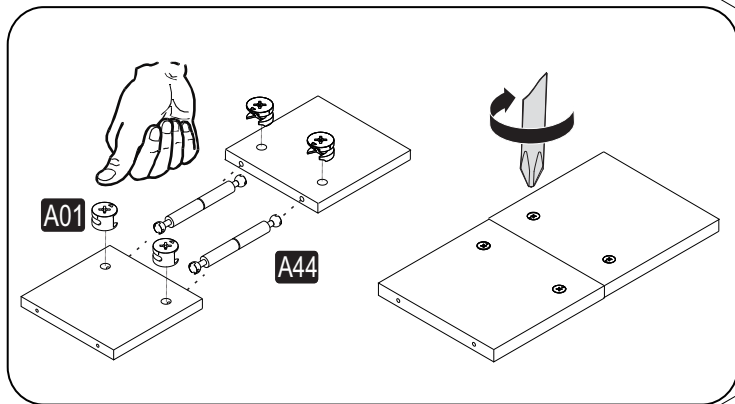


2

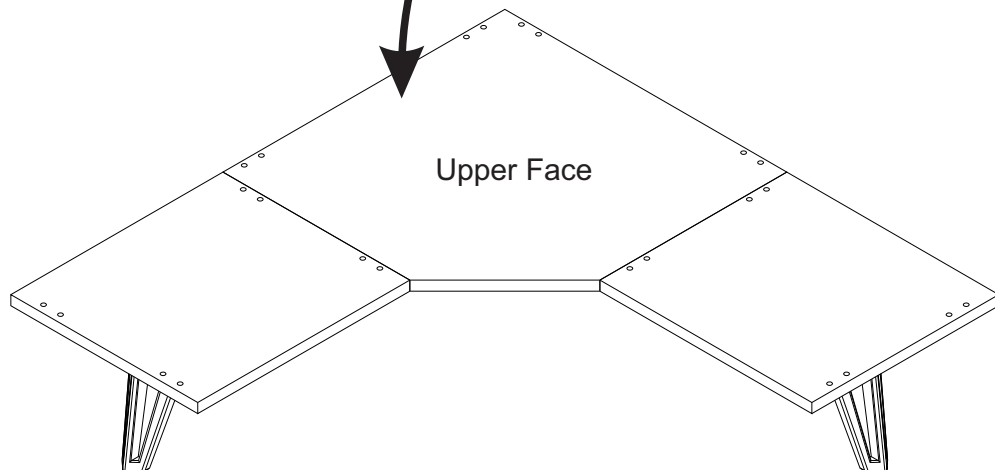
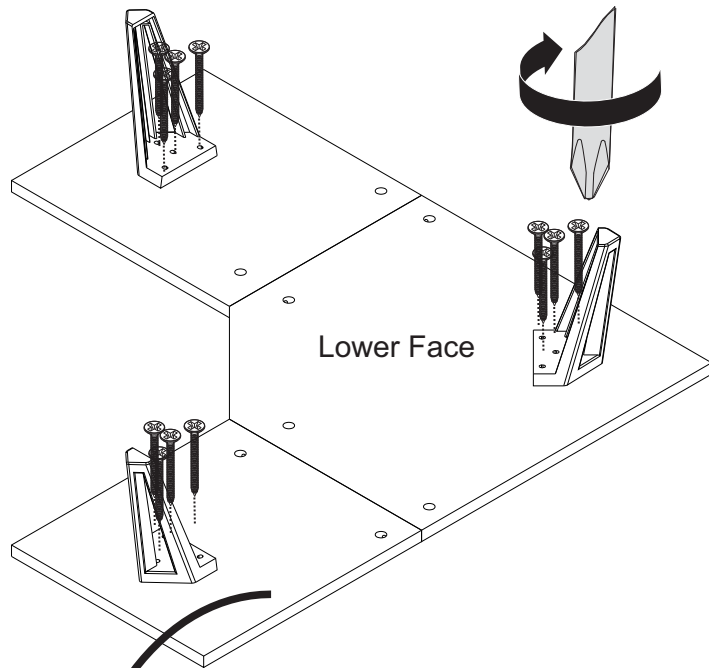
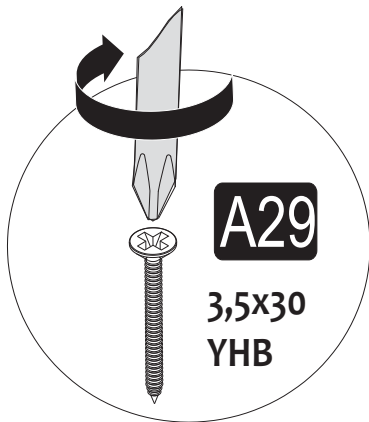




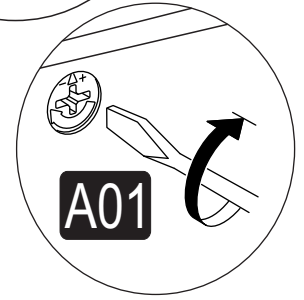
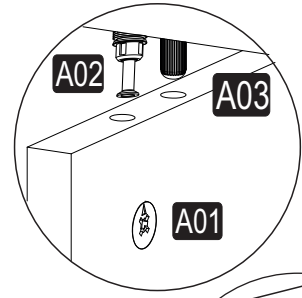
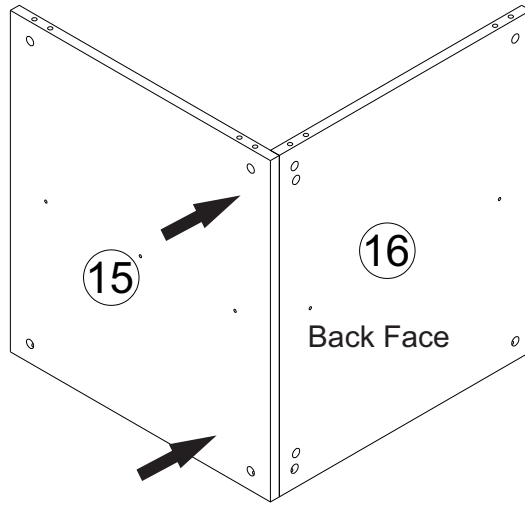
4



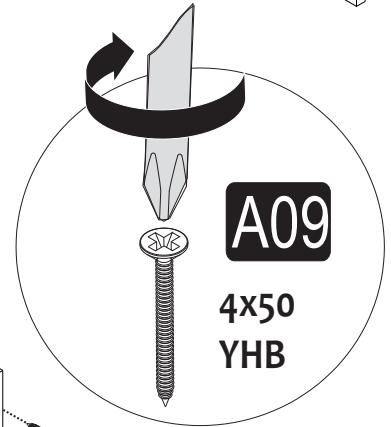
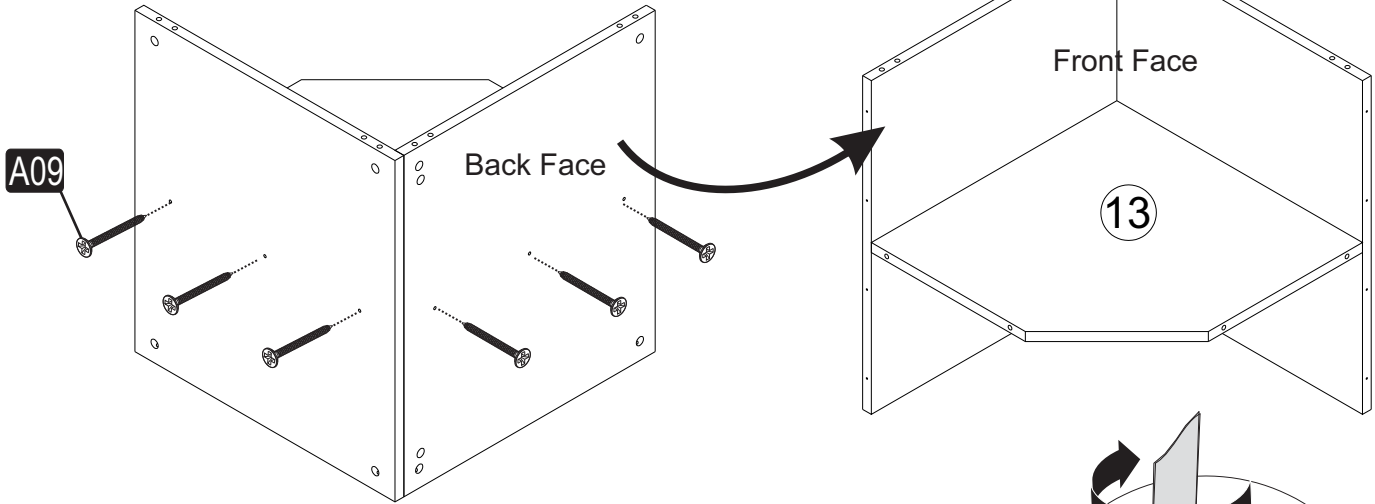
5



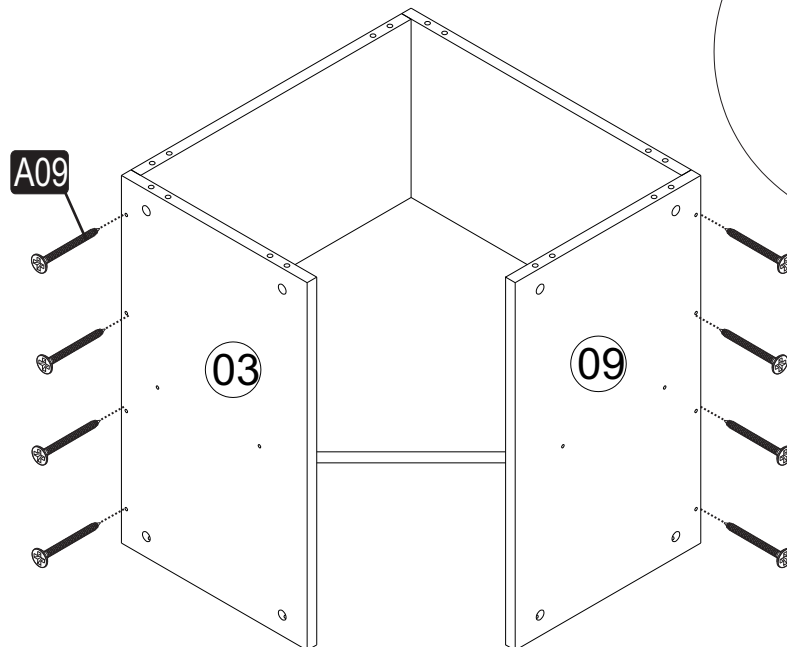
6



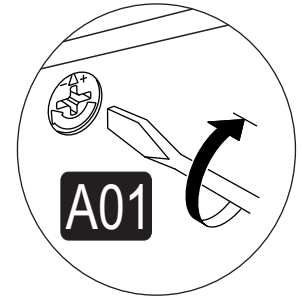
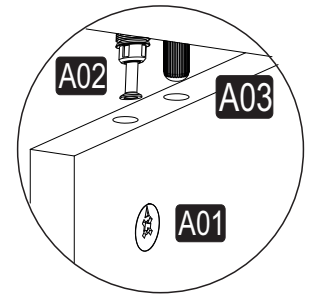
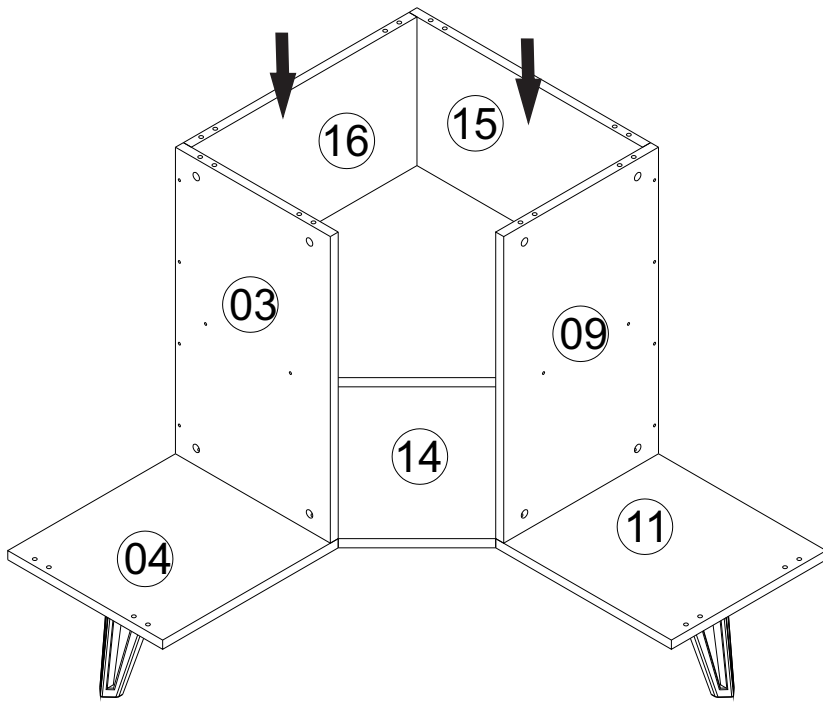
7



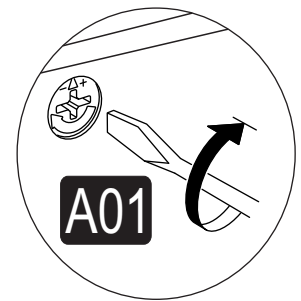
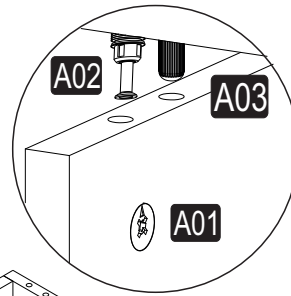
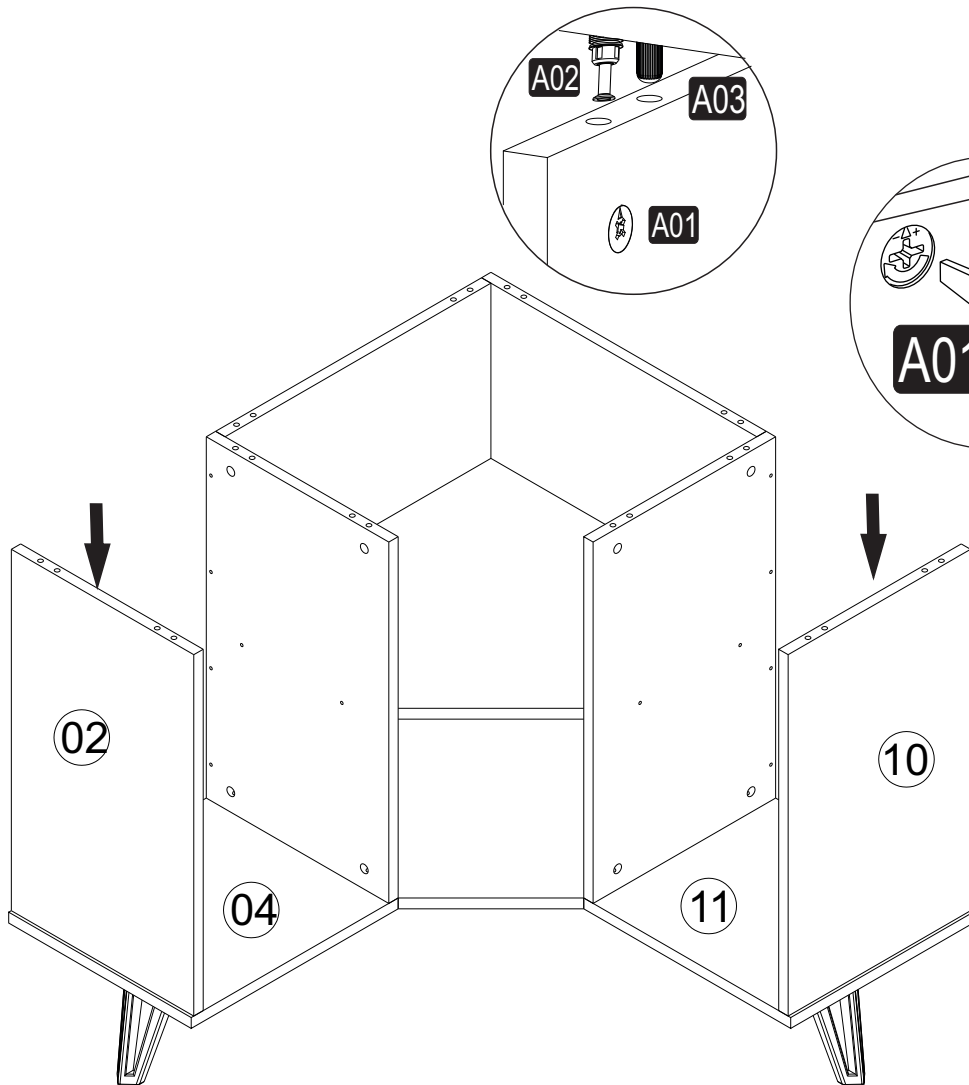
8



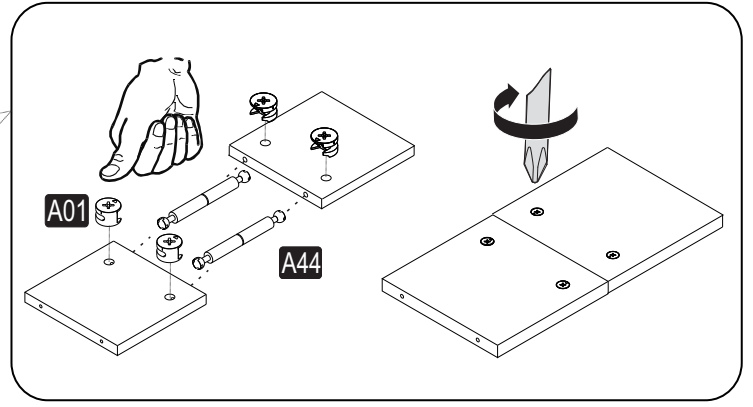
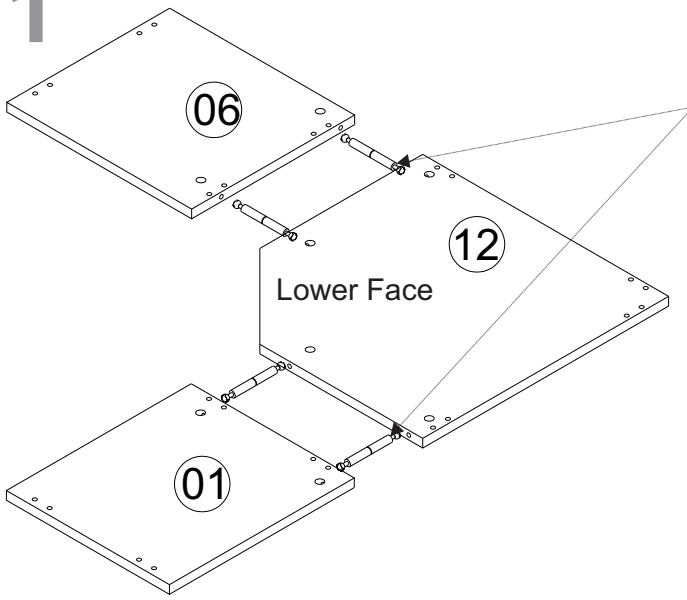
9



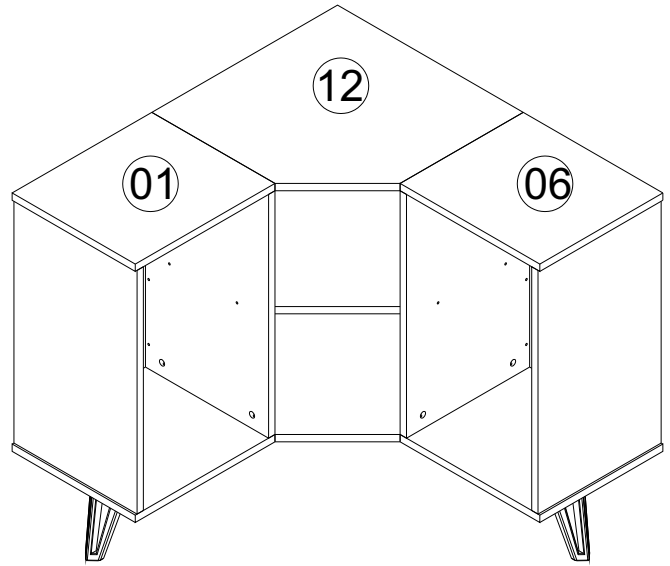
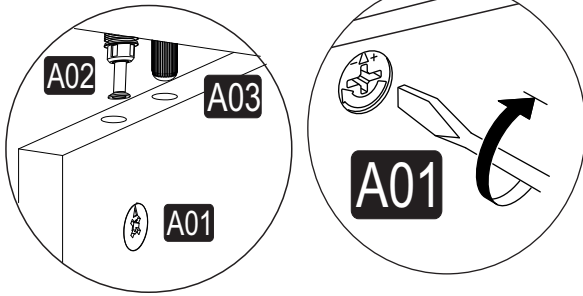
10



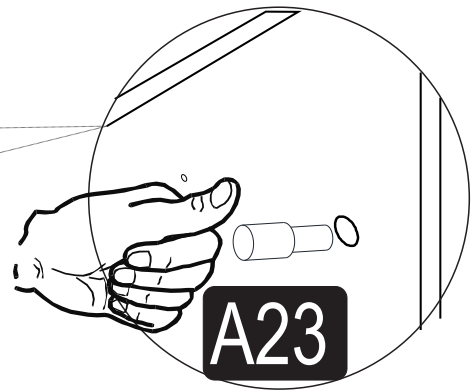
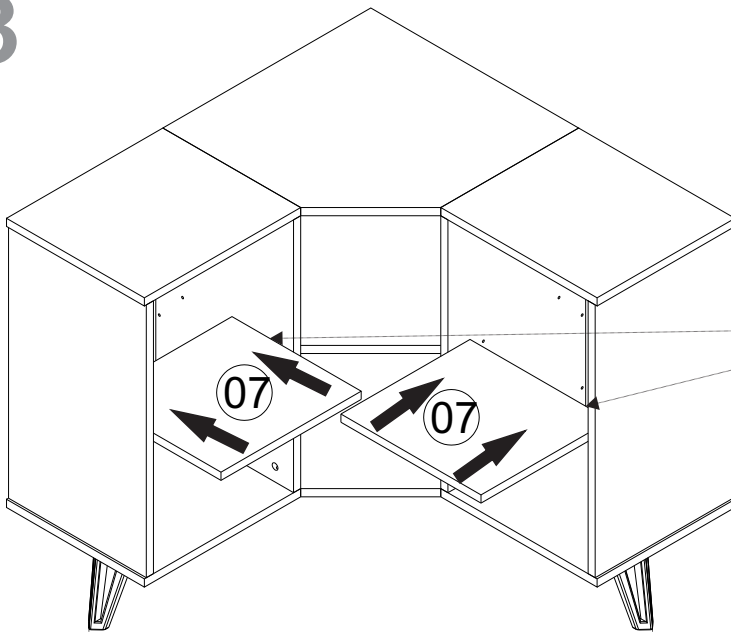
11



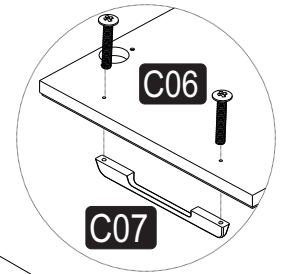
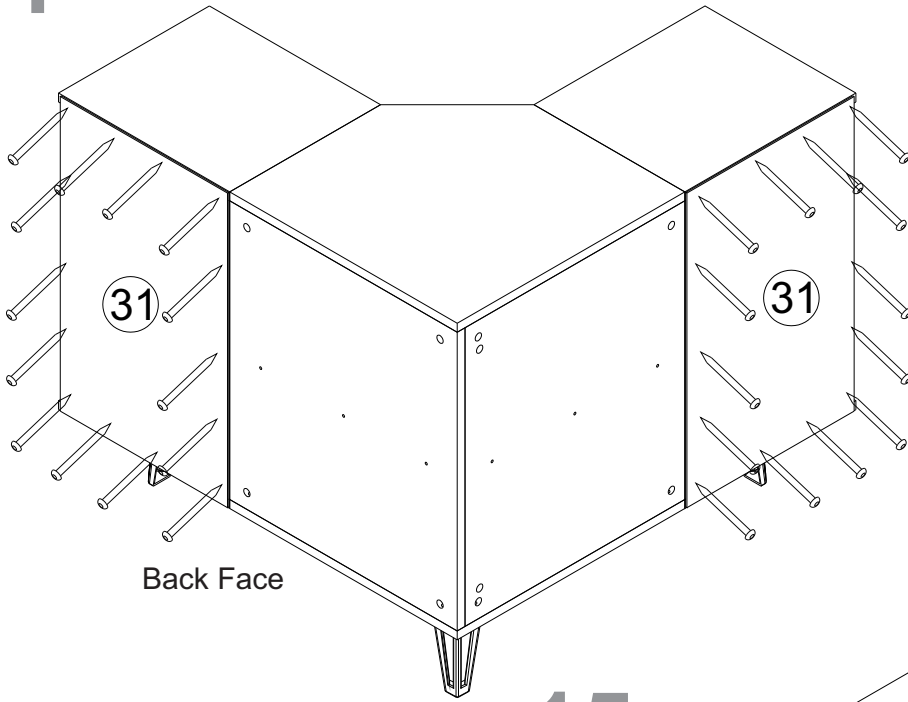
12



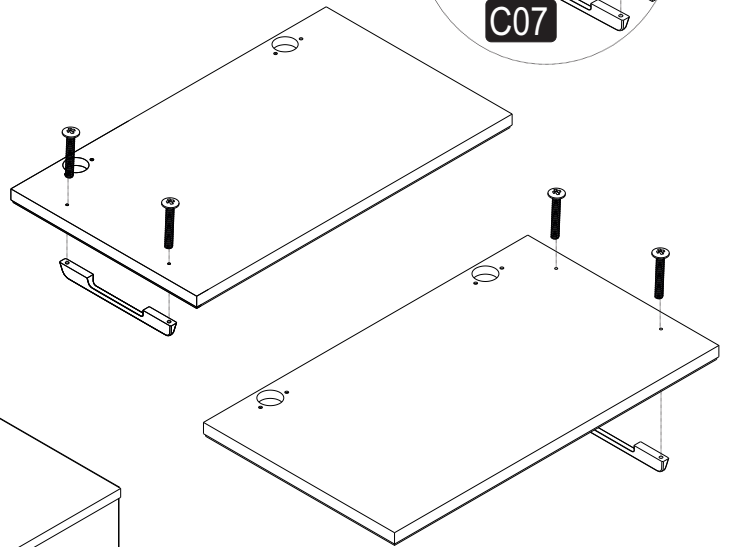
13



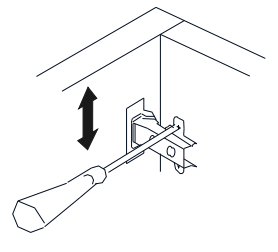
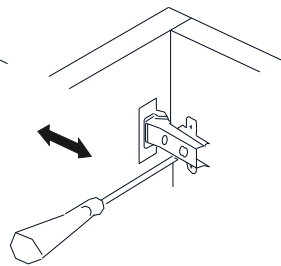
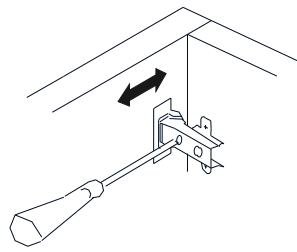
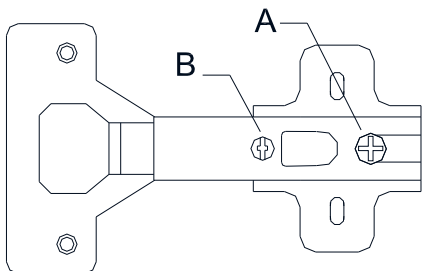
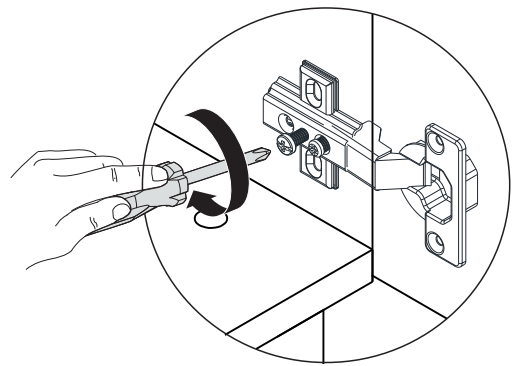
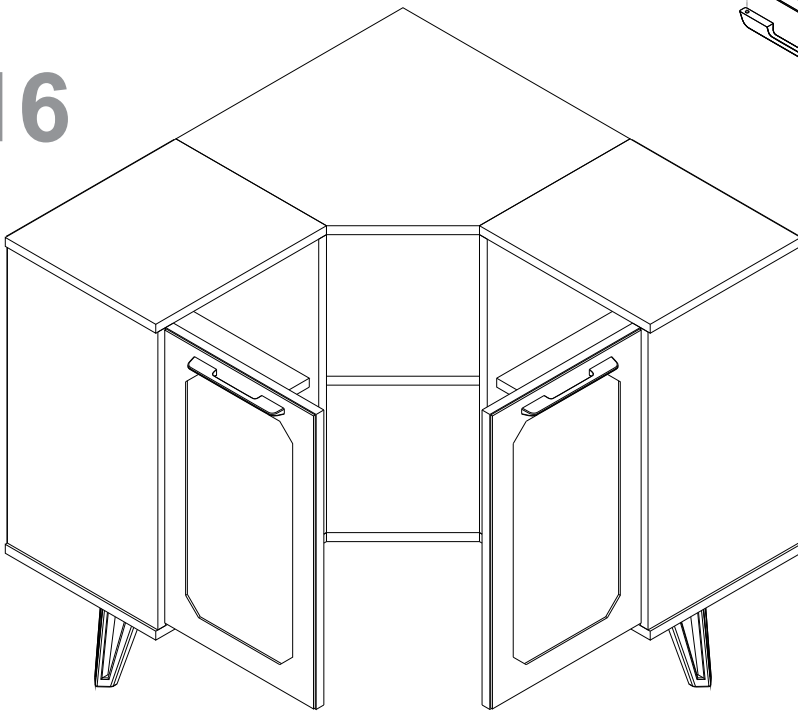
14



15



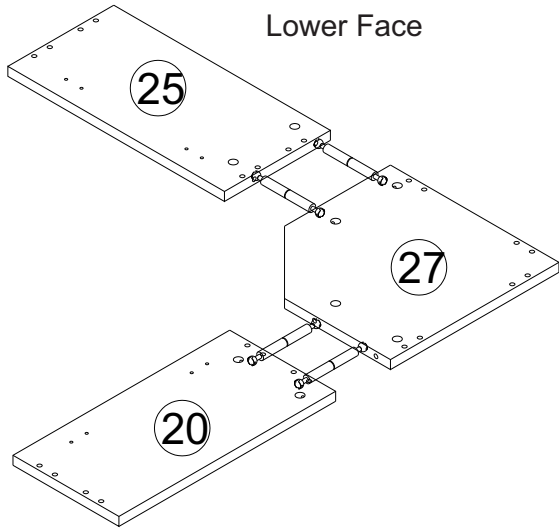
16



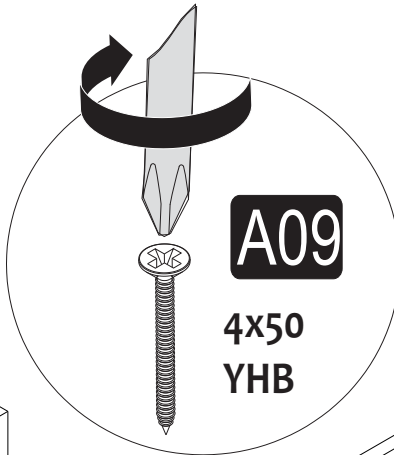
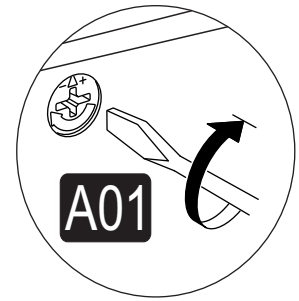
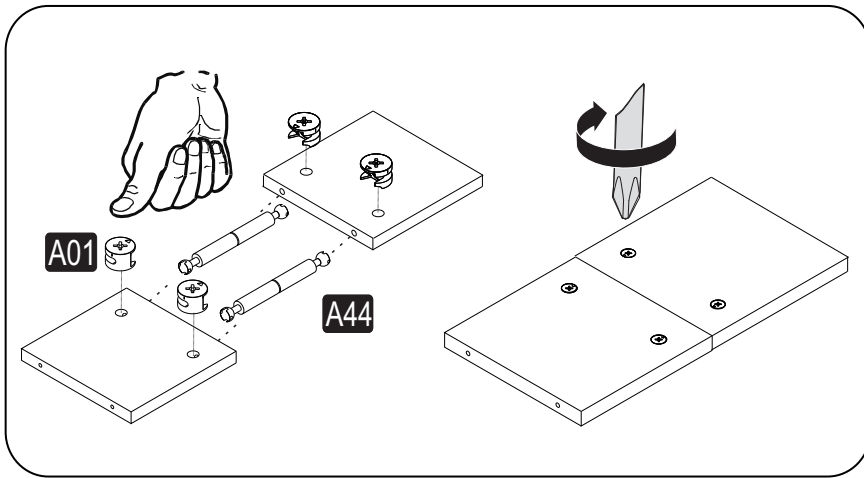
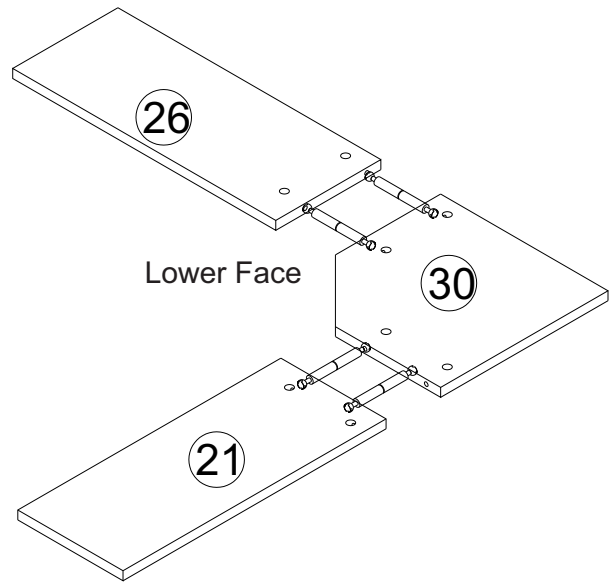
A= / to connect the hinge to the door
 B= / to arrange the door

arrows to show the directions for arrangement of doors.

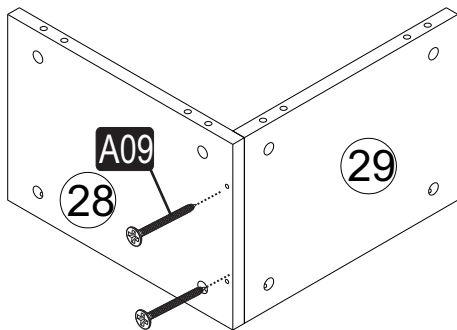
17



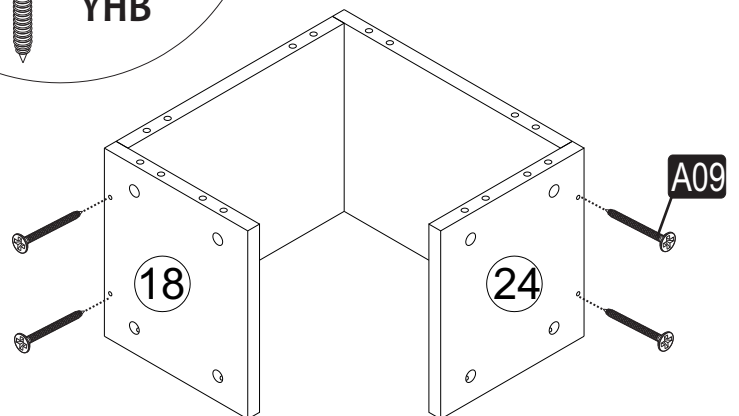
18



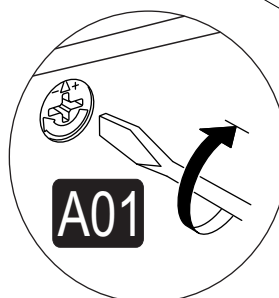
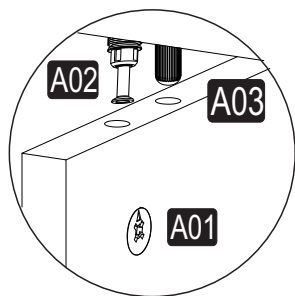
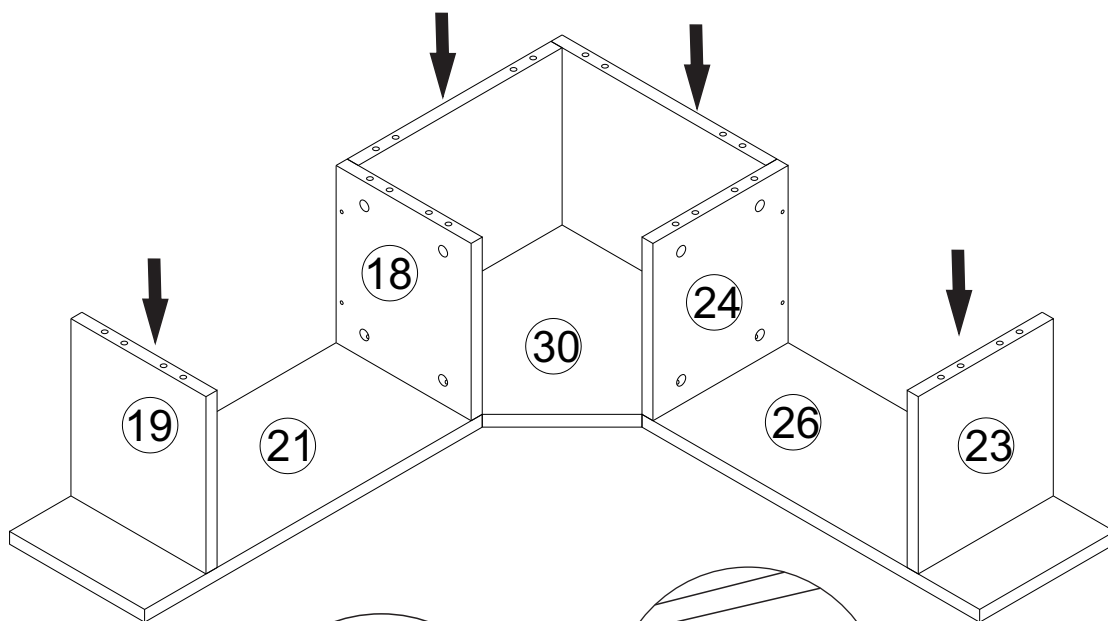
19



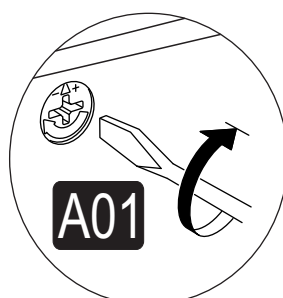
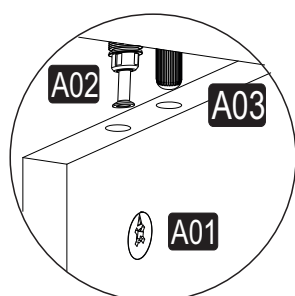
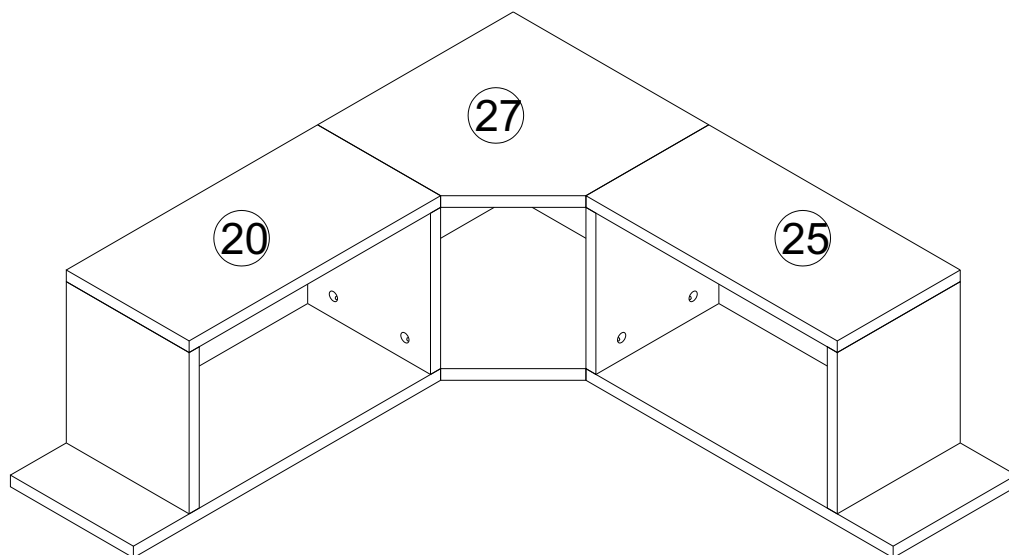
20



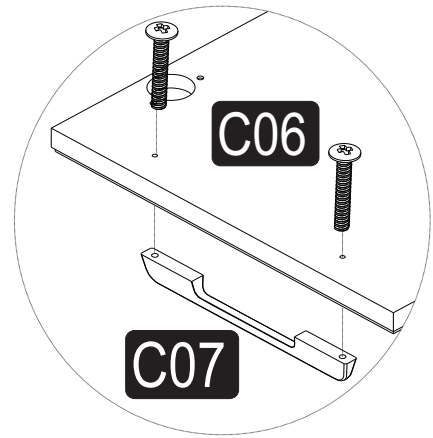
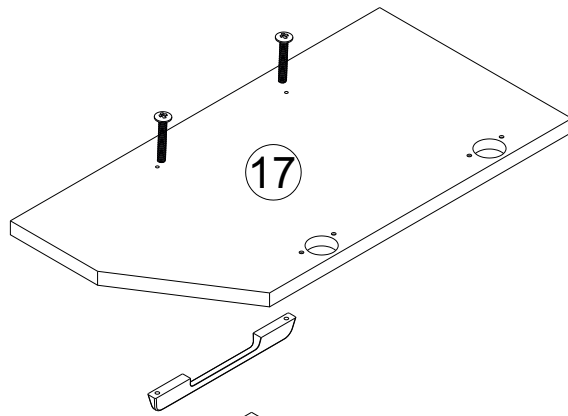
21



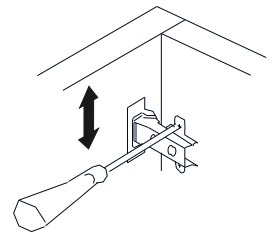
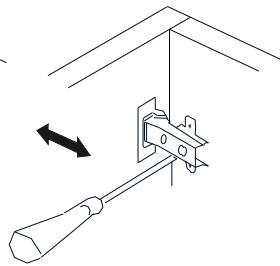
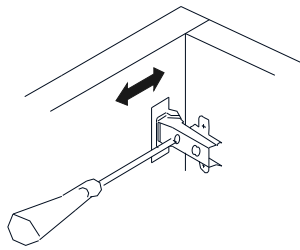
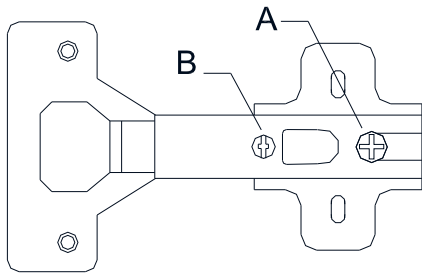
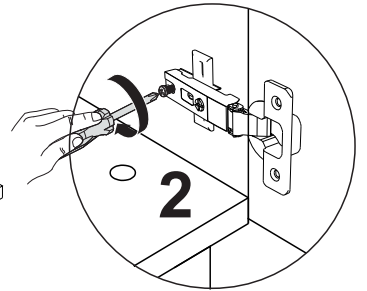
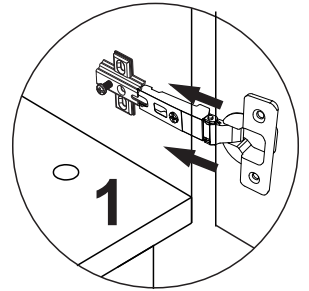
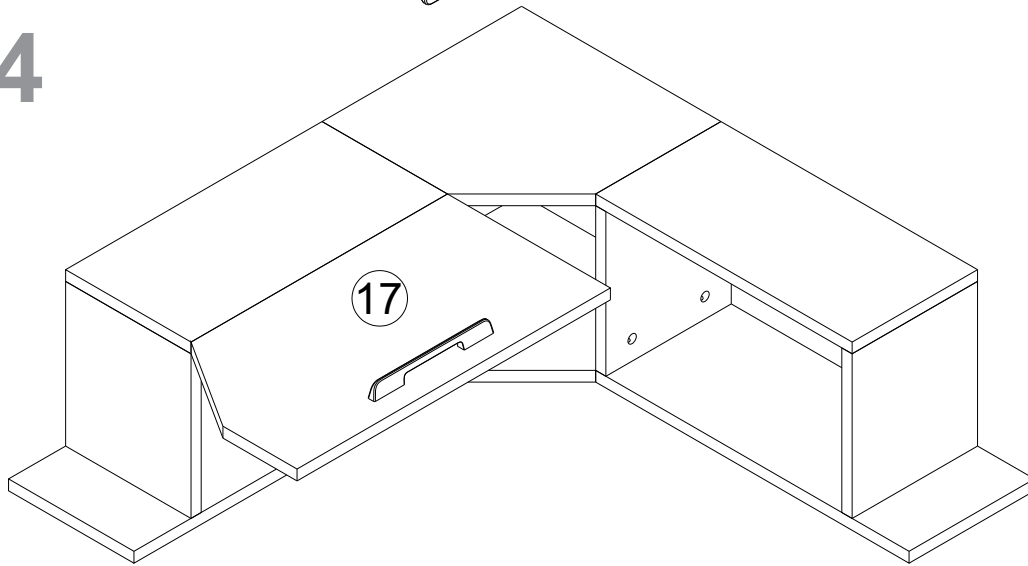
22



23



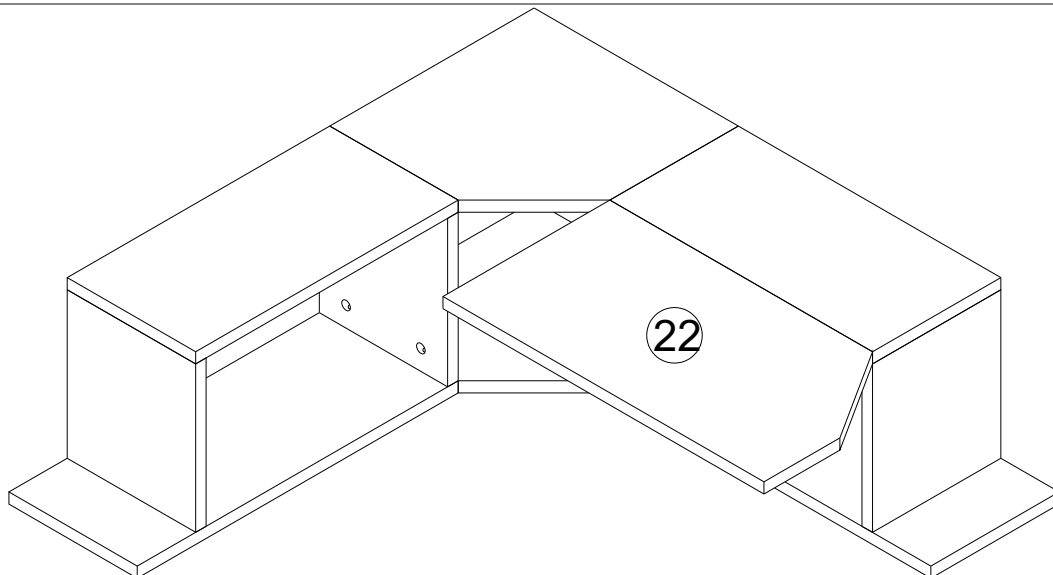
24

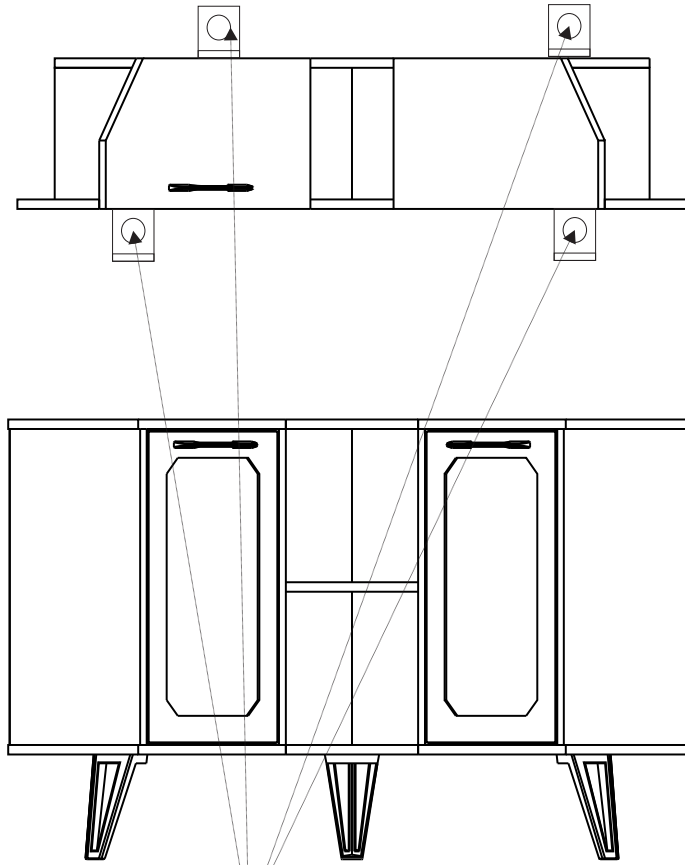


A= / to connect the hinge to the door
B= / to arrange the door

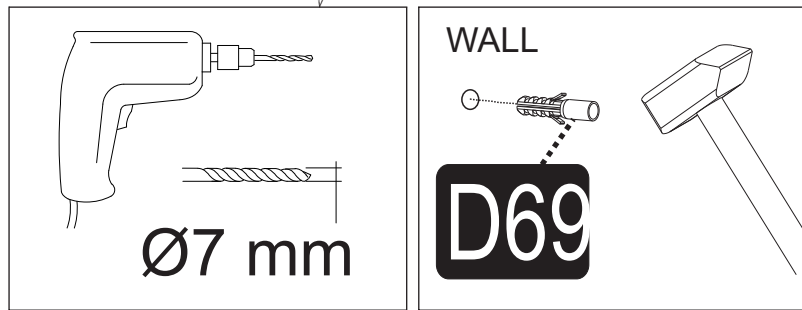
arrows to show the directions for arrangement of doors.

25

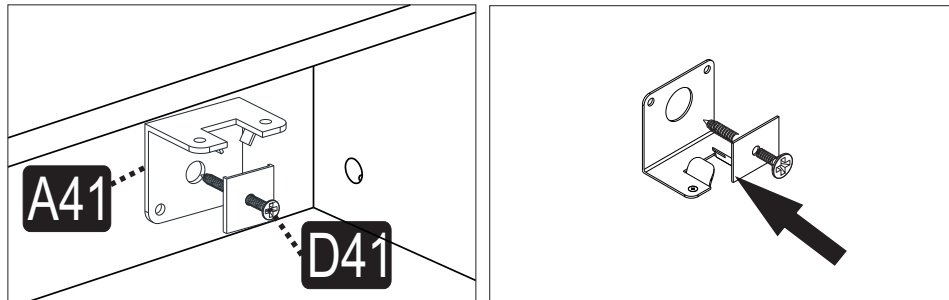




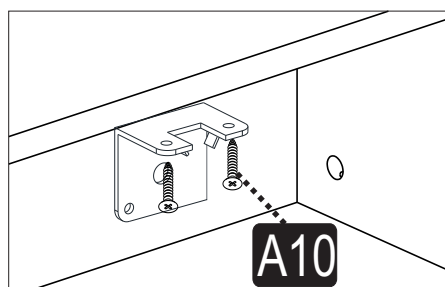
PART-1



PART-2



PART-3



PART-4

