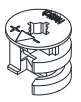
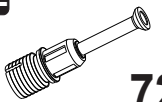
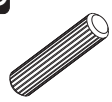
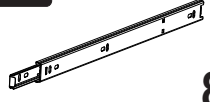
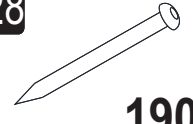

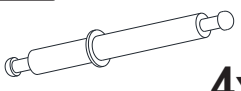


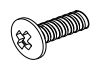

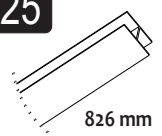


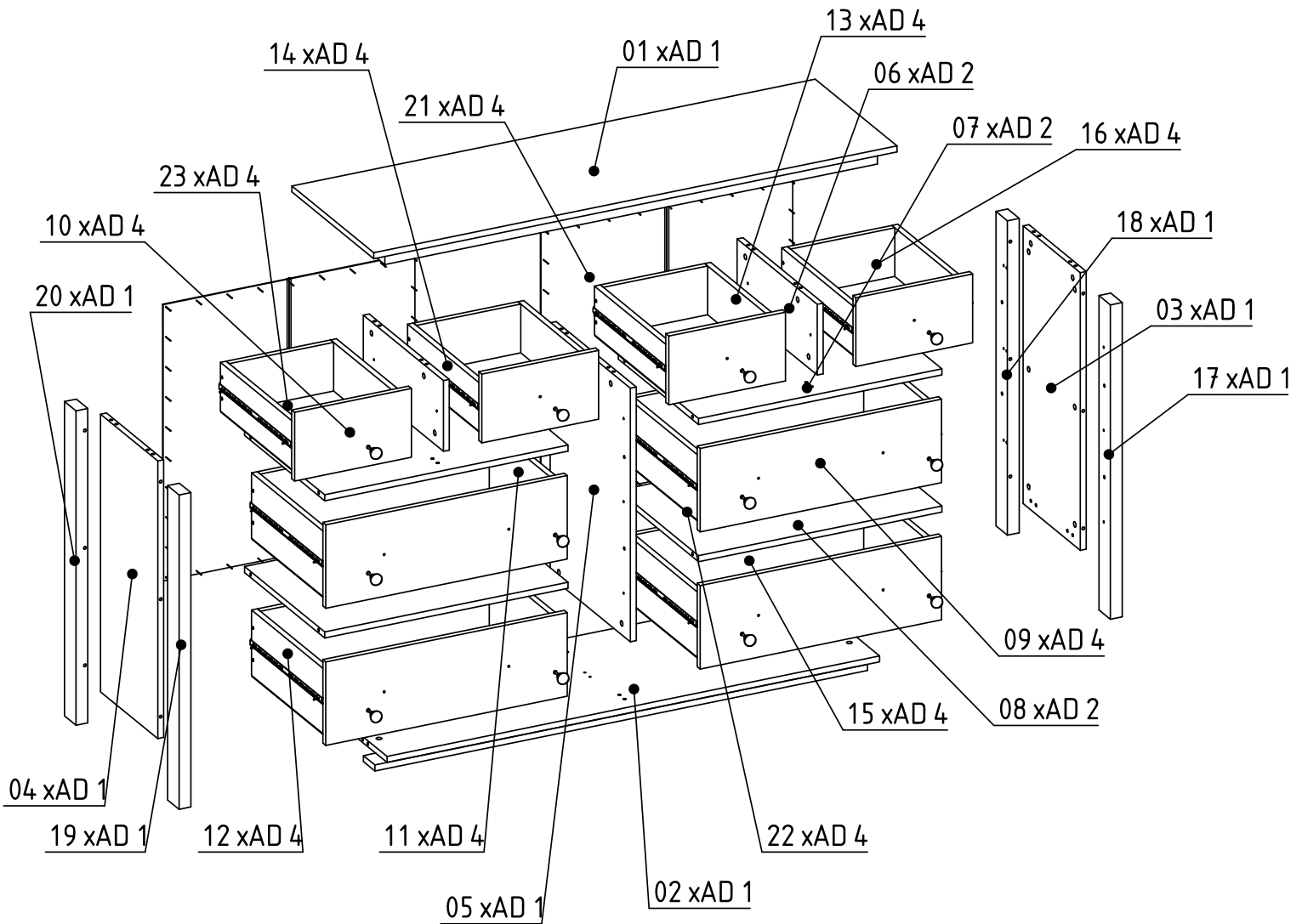


**i** GP042-0223,1

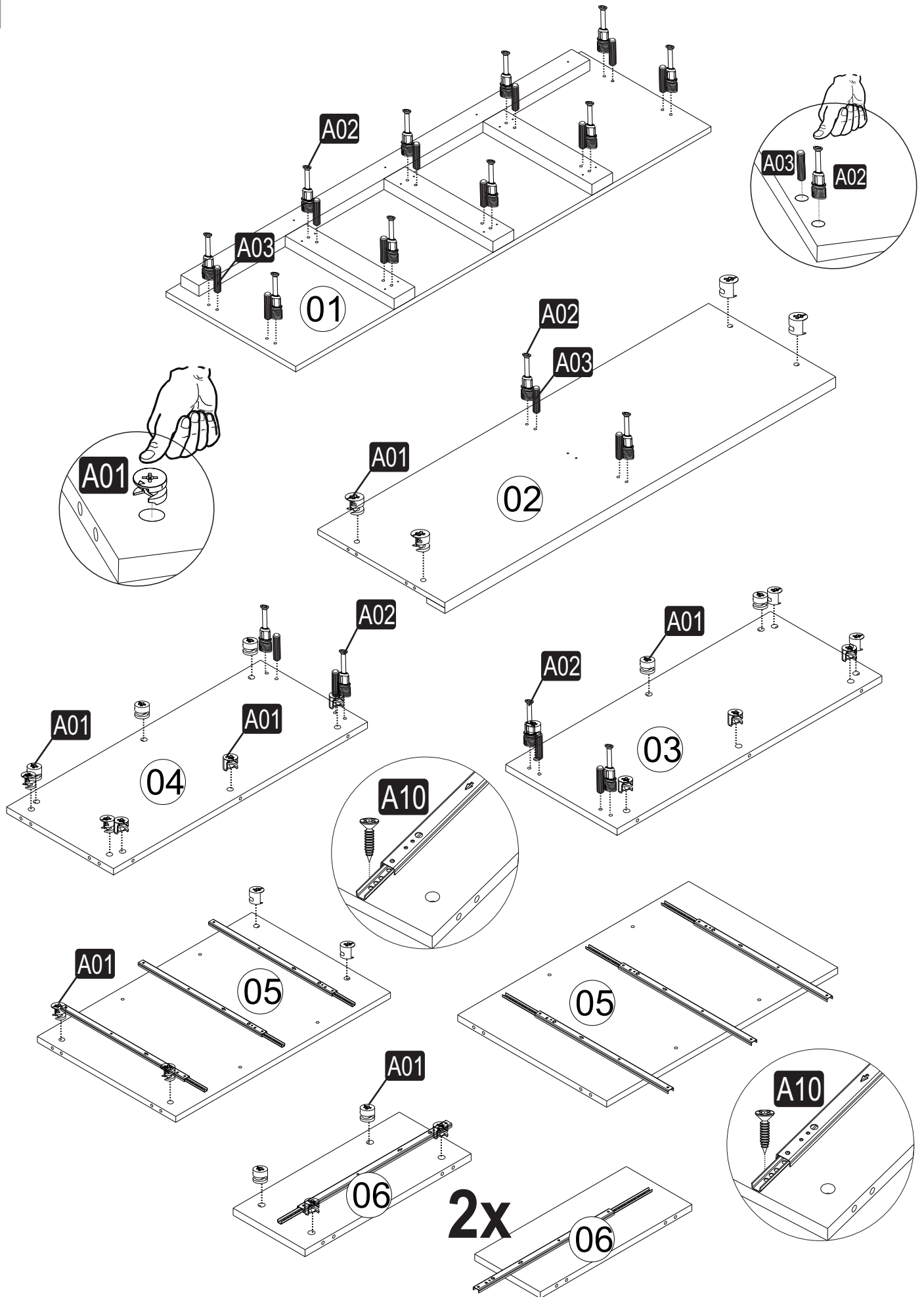


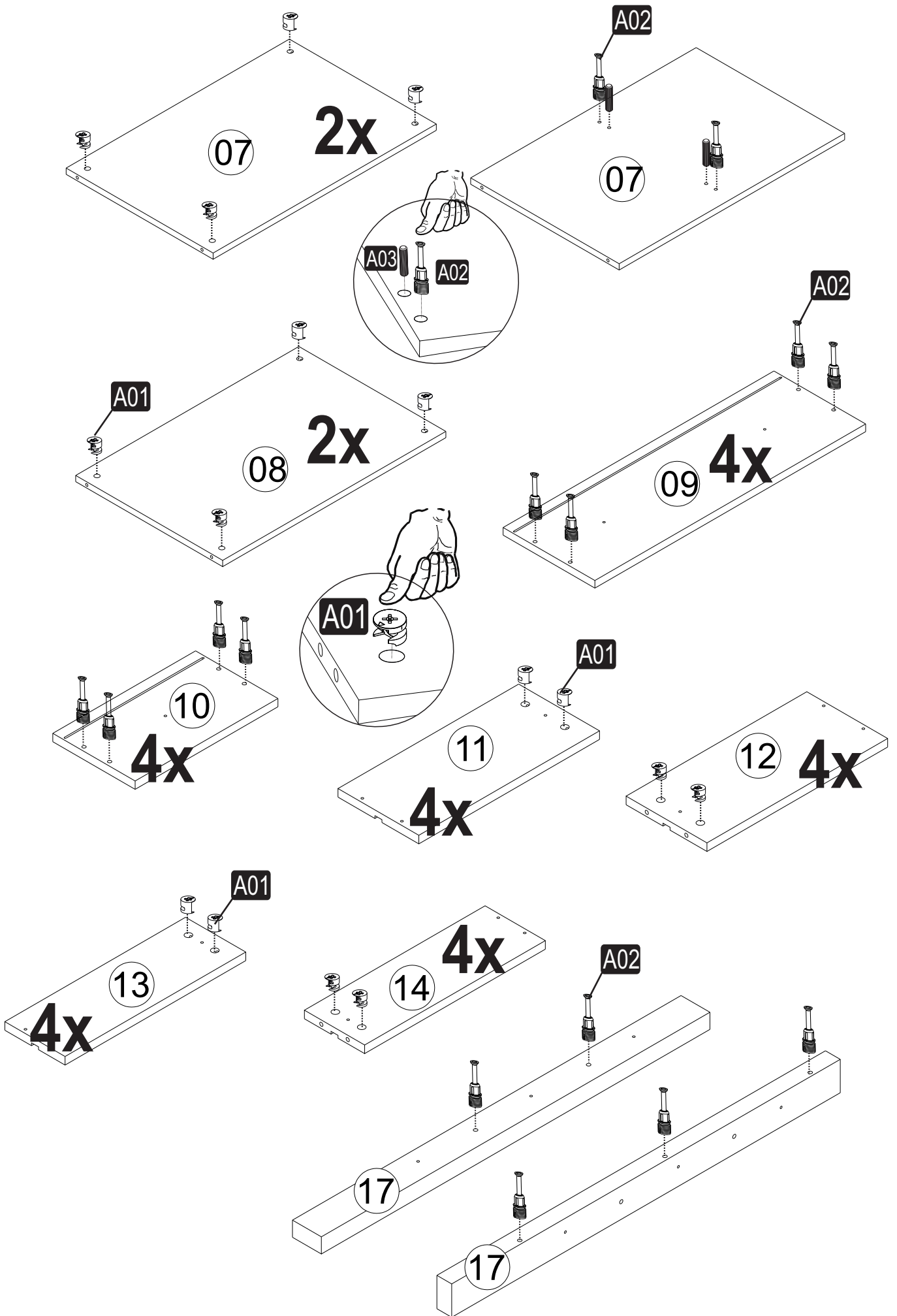
160 x 50 x 96cm

<b>A01</b>  80x	<b>A02</b>  72x	<b>A03</b>  20x	<b>E56</b> 17MM*L 438 MM  8x	<b>A28</b>  190x
<b>A04</b>  A 80x	<b>A06</b>  4x	<b>A10</b> 3,5x18 YHB  32x	<b>A09</b> 4x50 YHB  36x	<b>D09</b> M4x15 YSB  16x
<b>C06</b> 3,5x30  12x	<b>A25</b>  826 mm 2x	<b>A16</b>  A 36x	<b>F42</b>  Düğme Kulp (Siyah) 12x	

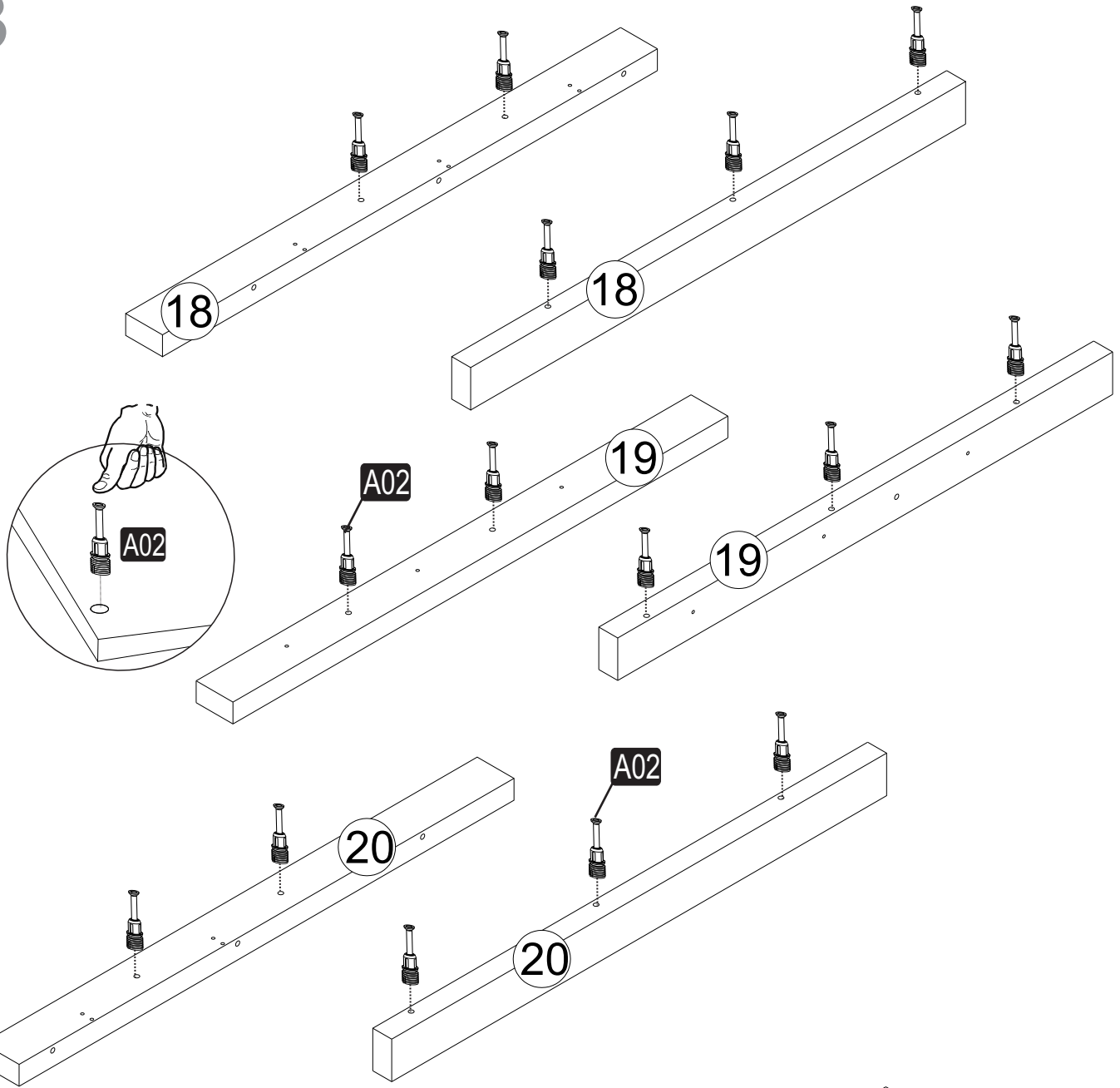


1

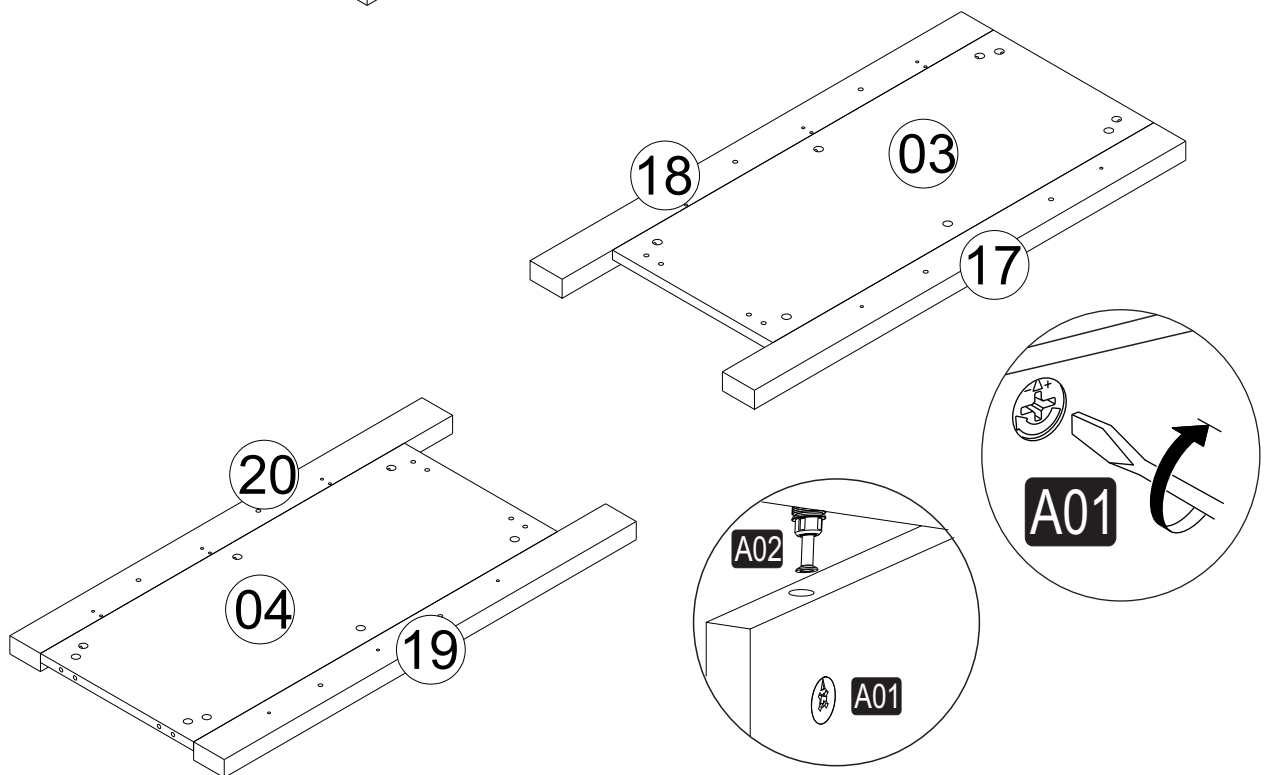




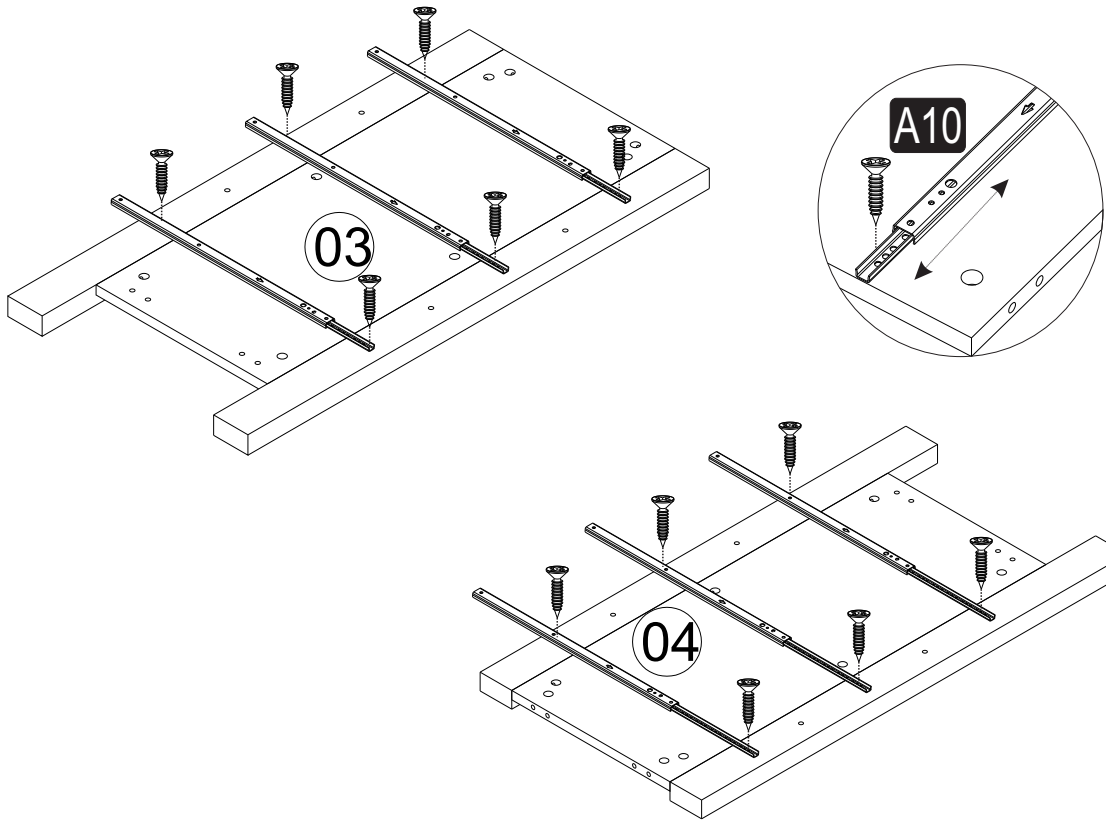
3



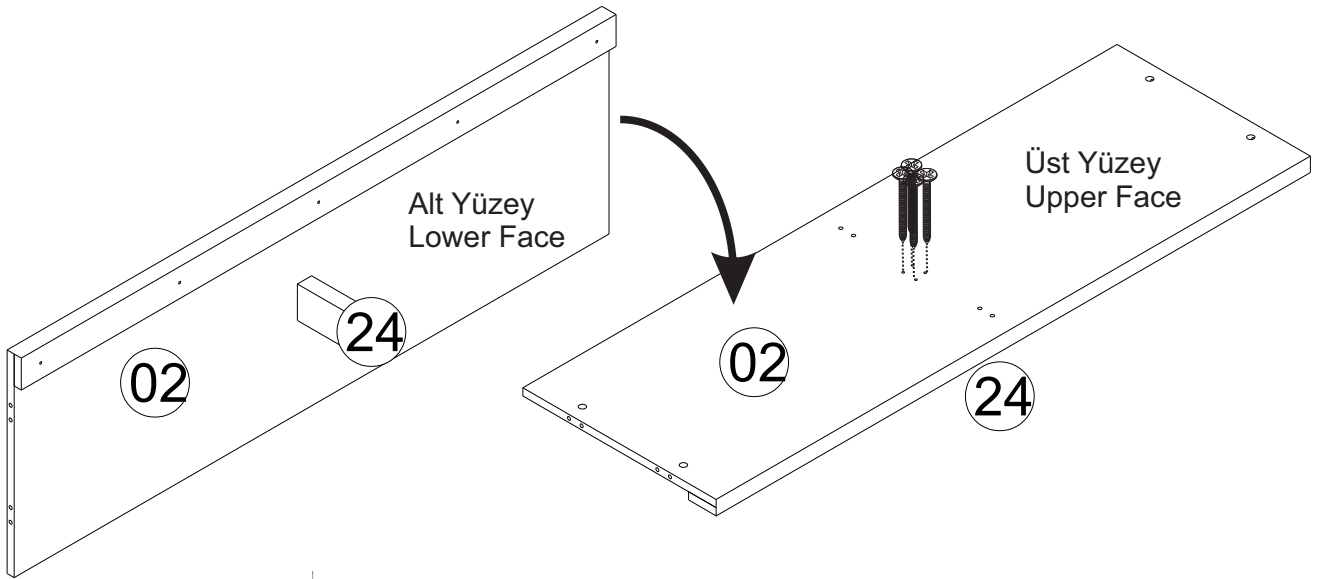
4



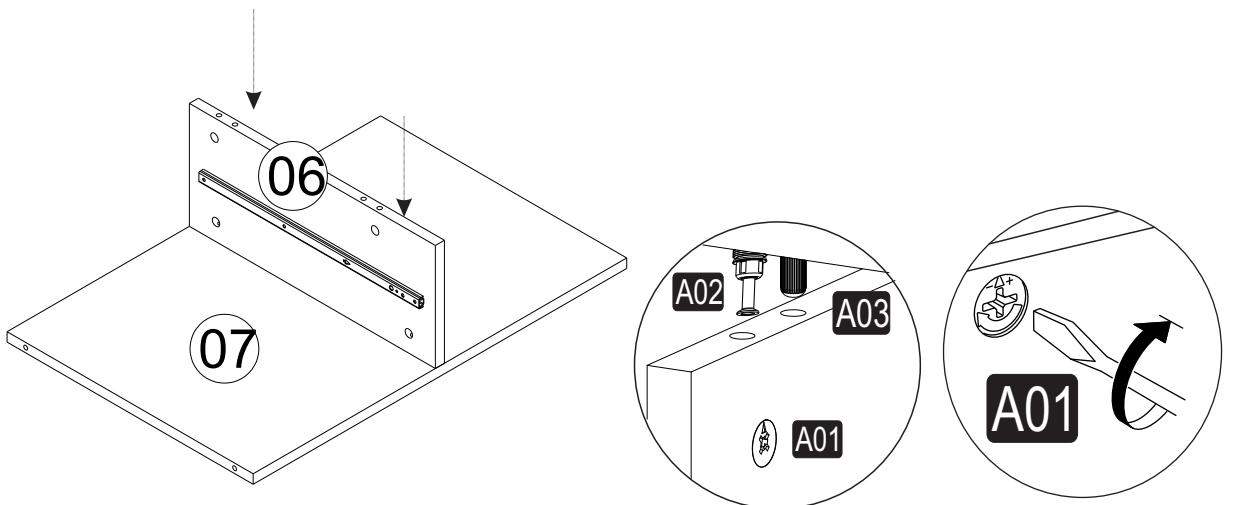
5



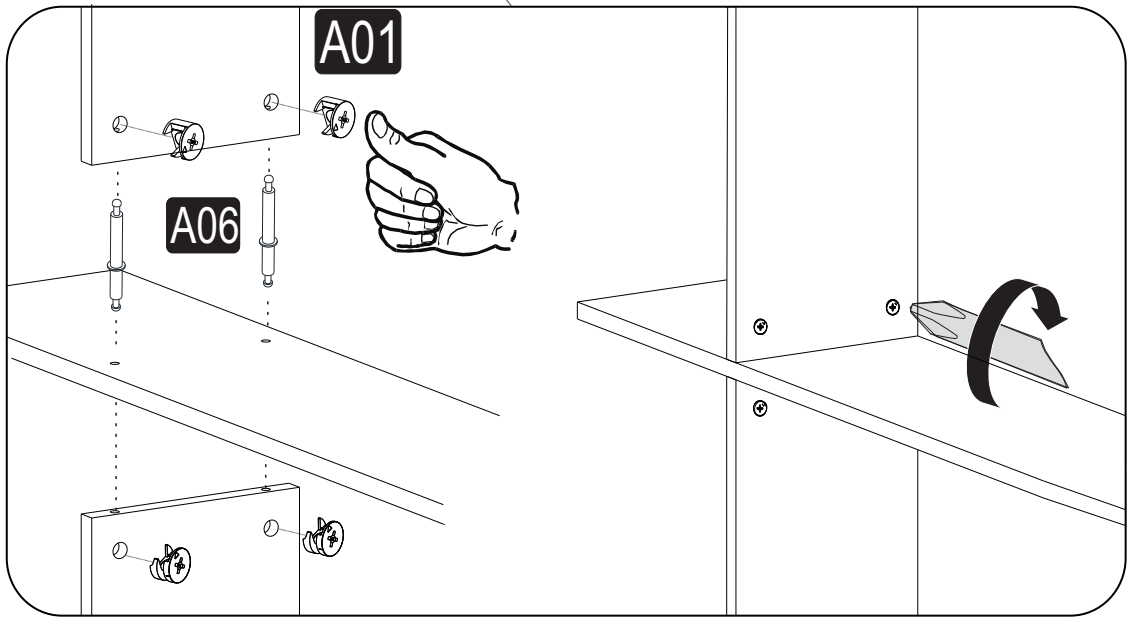
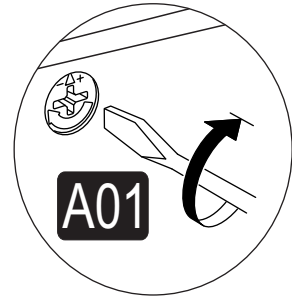
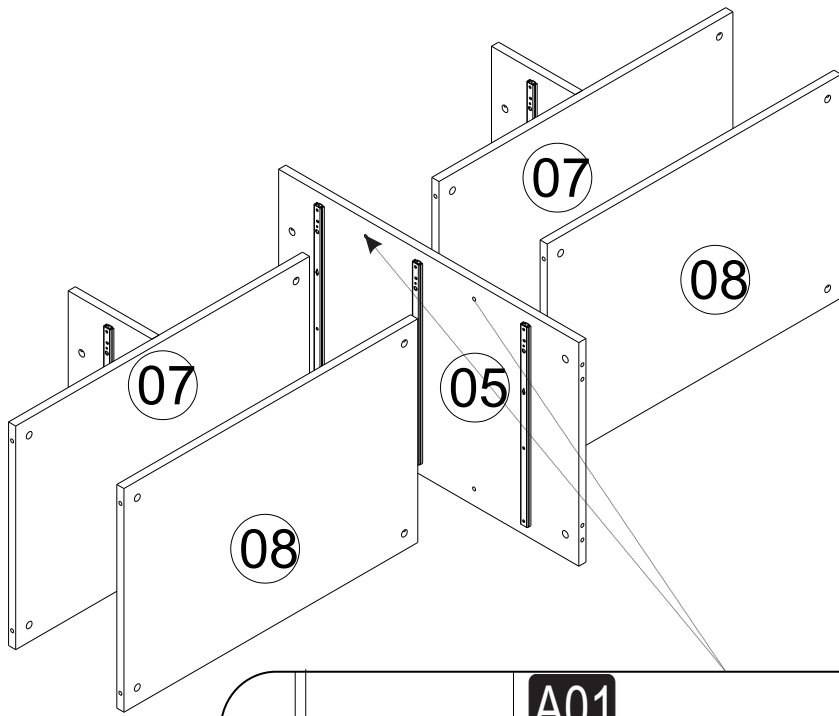
6



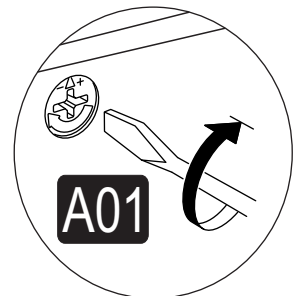
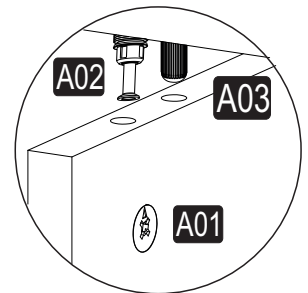
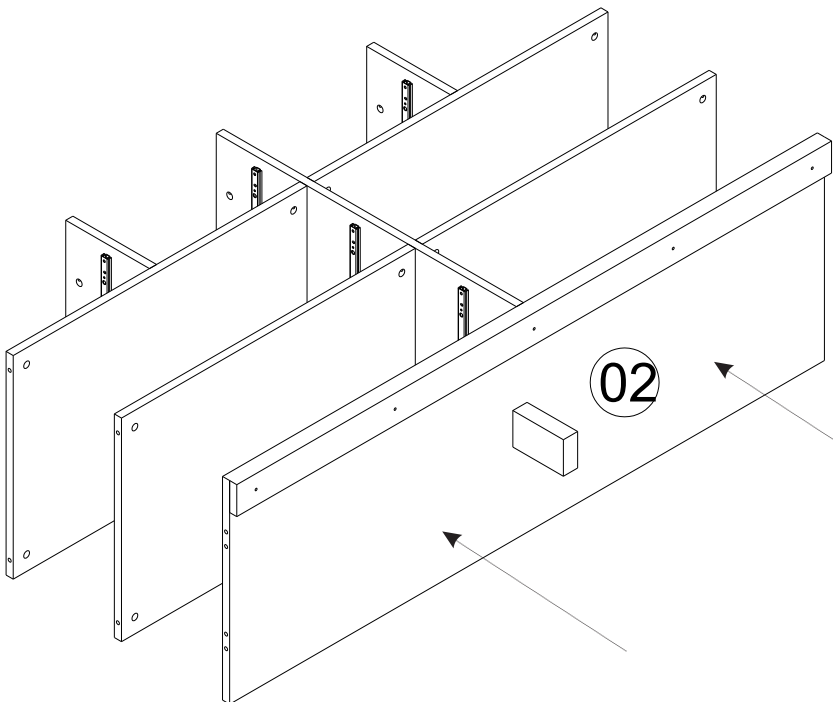
7



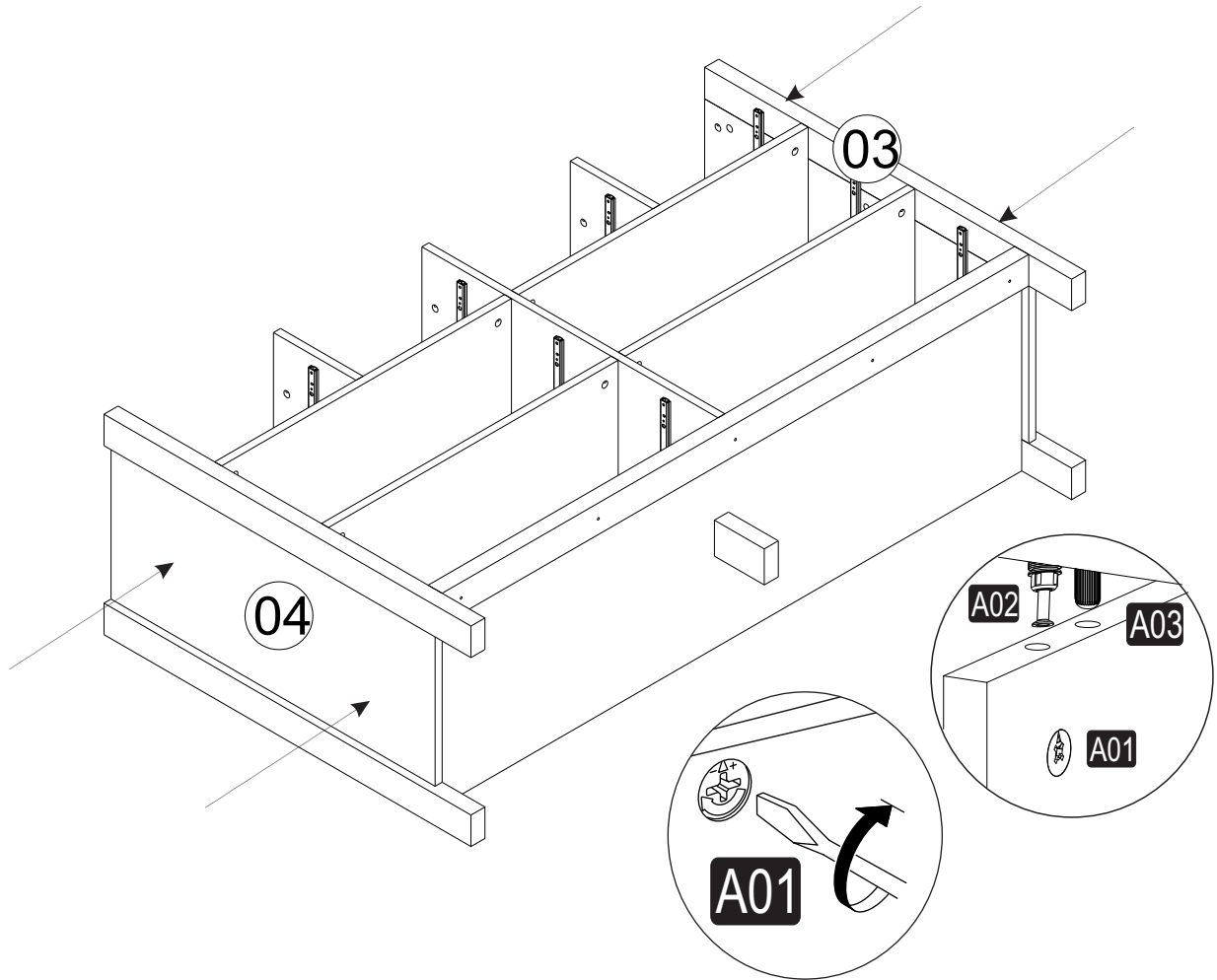
8



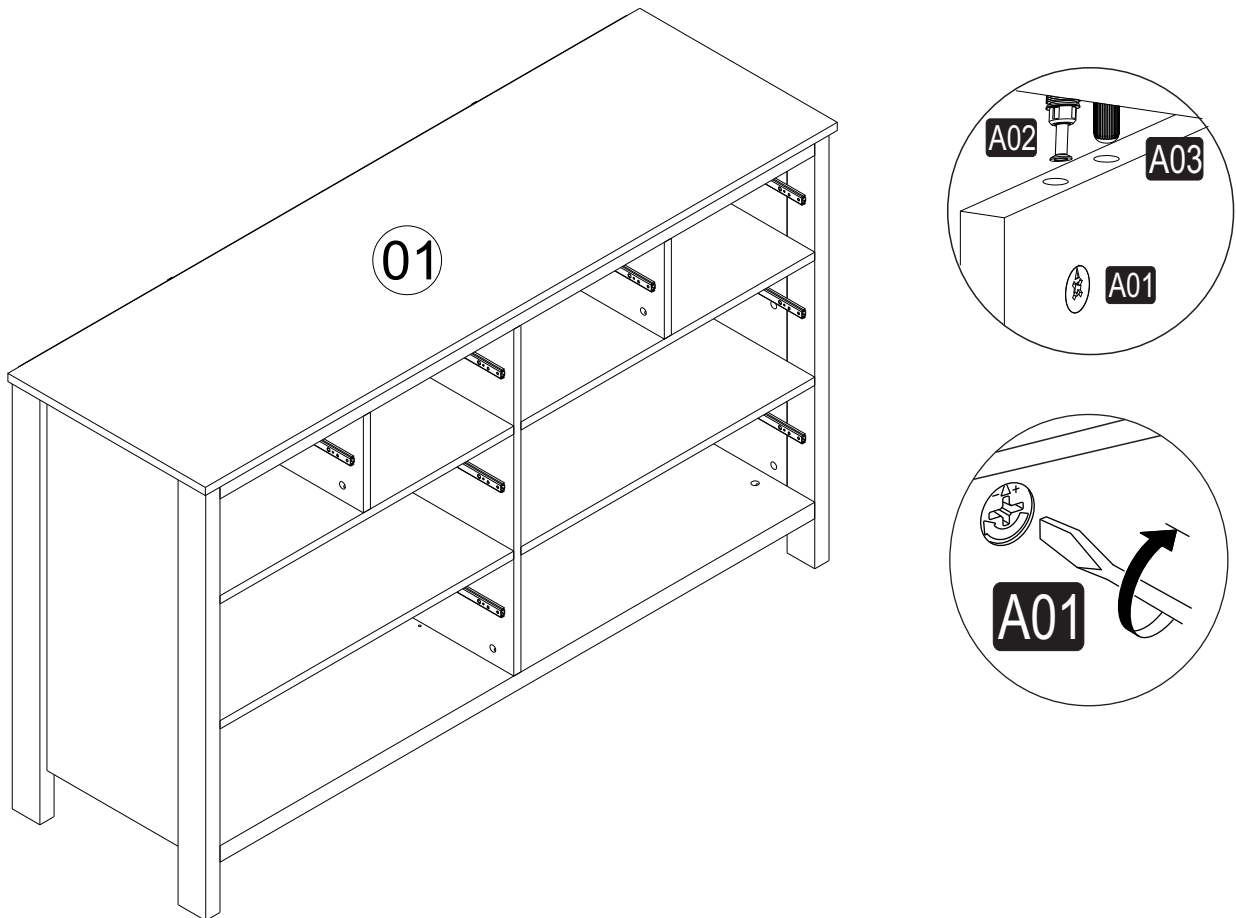
9



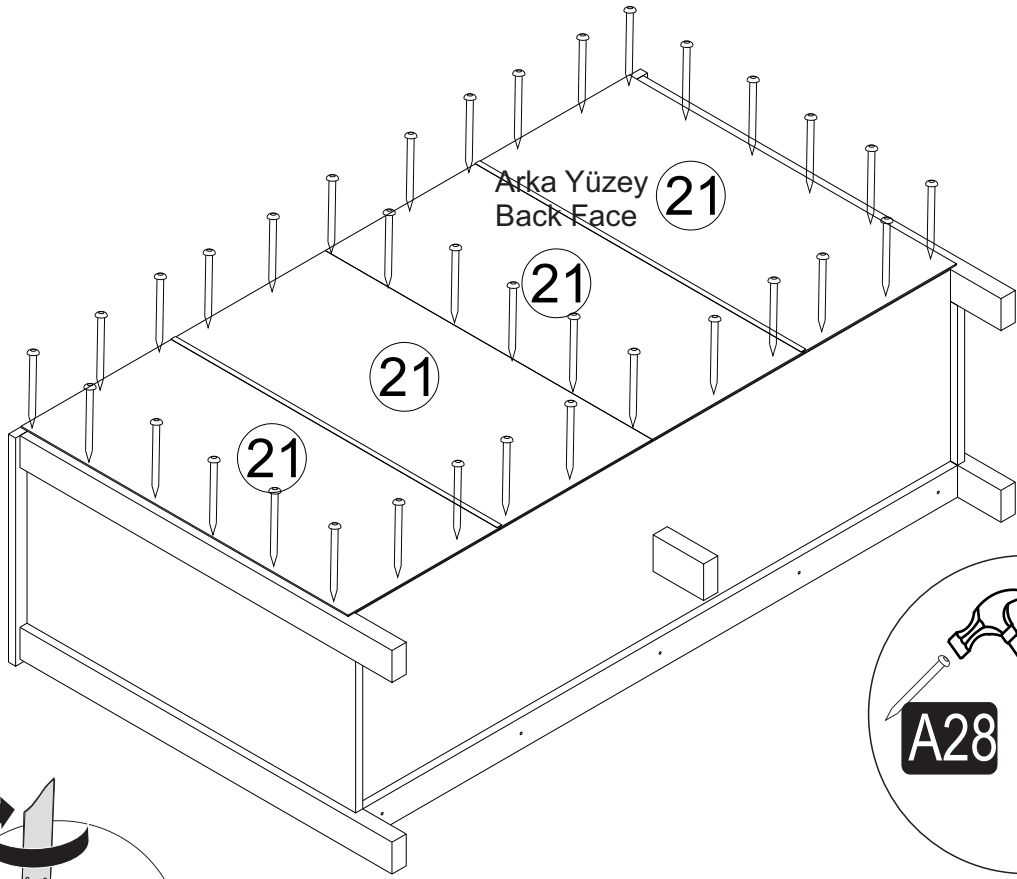
# 10



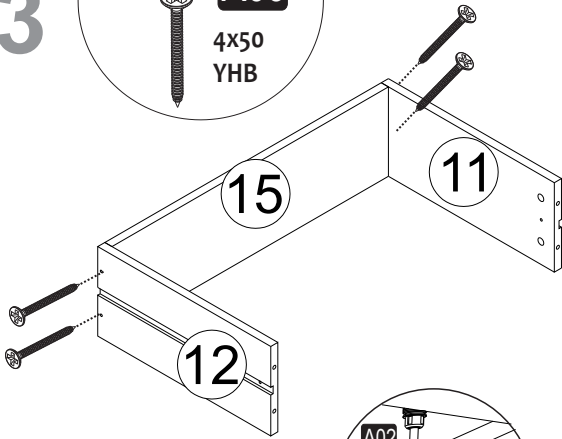
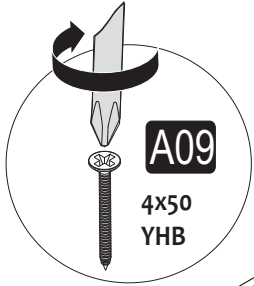
# 11



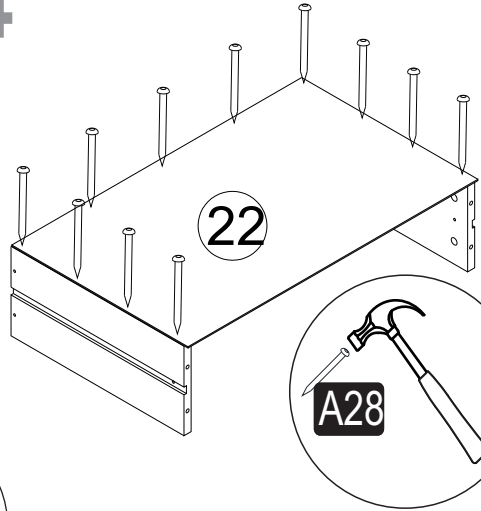
# 12



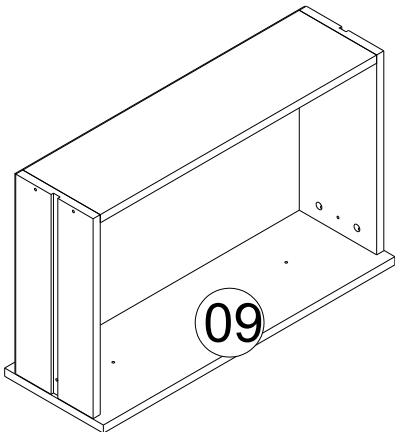
# 13



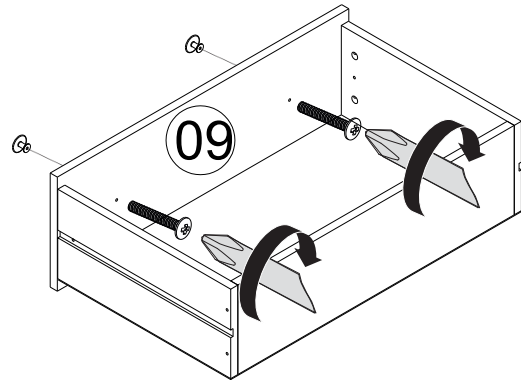
# 14



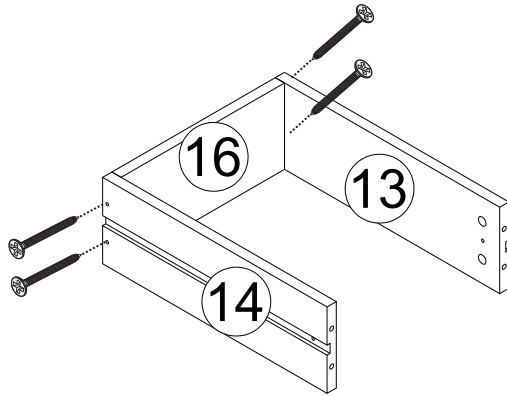
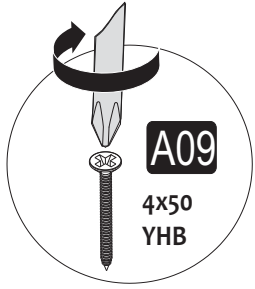
# 15



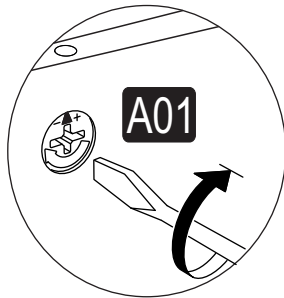
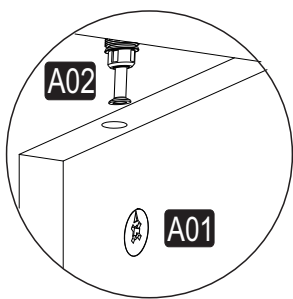
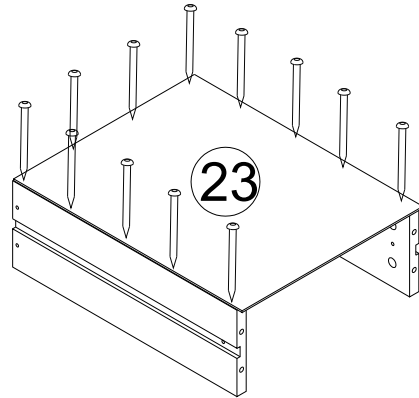
# 16



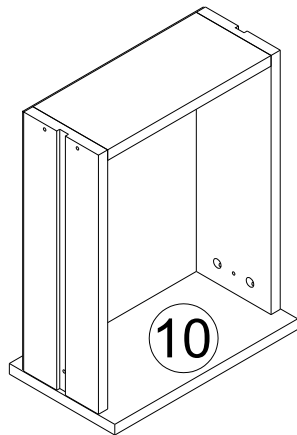
# 17



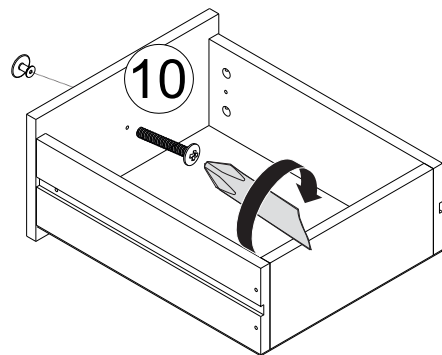
# 18



# 19



# 20



21

