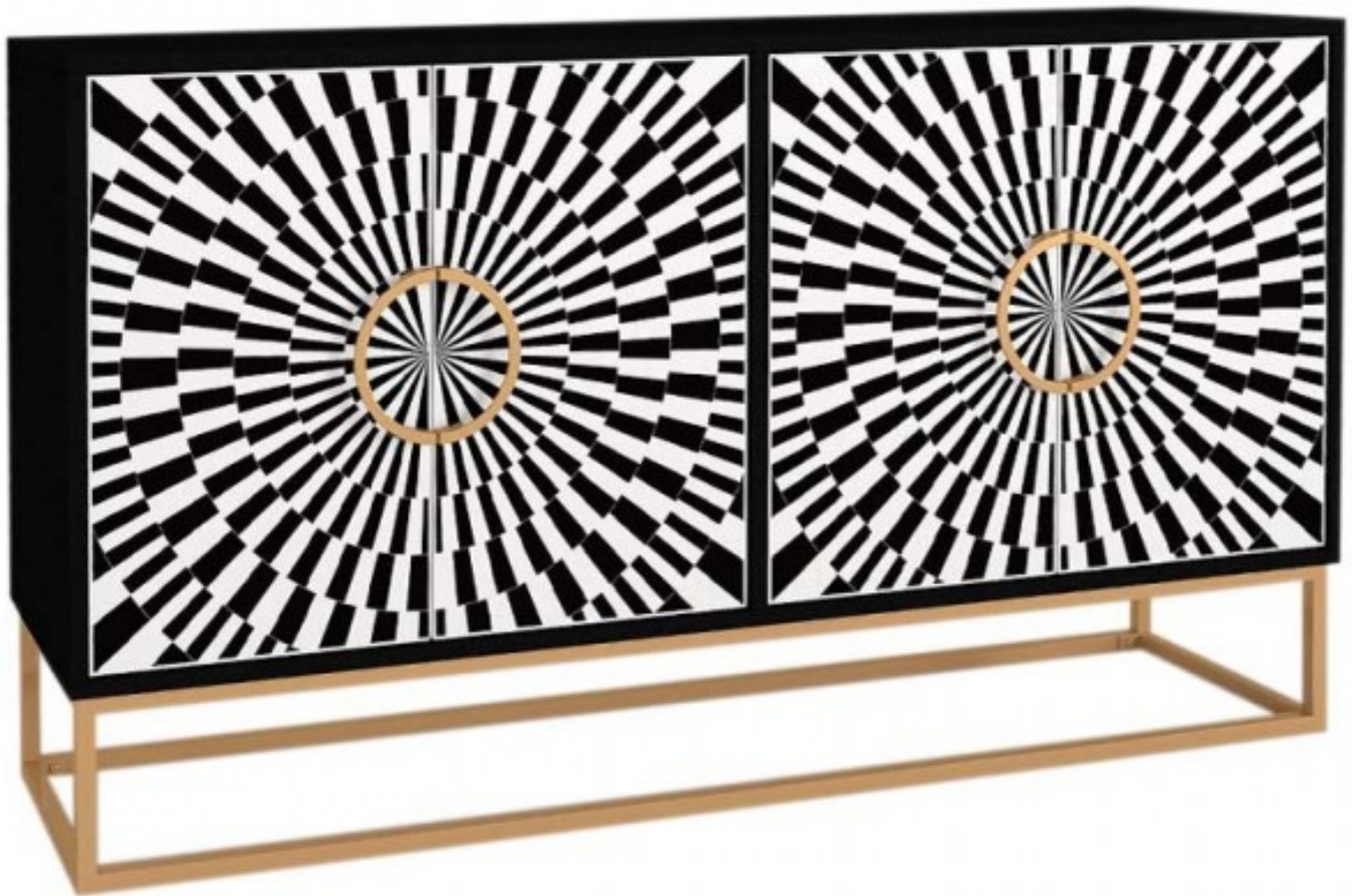

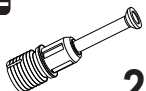



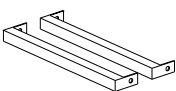
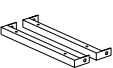

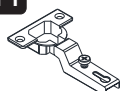
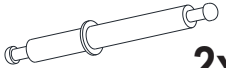


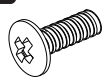





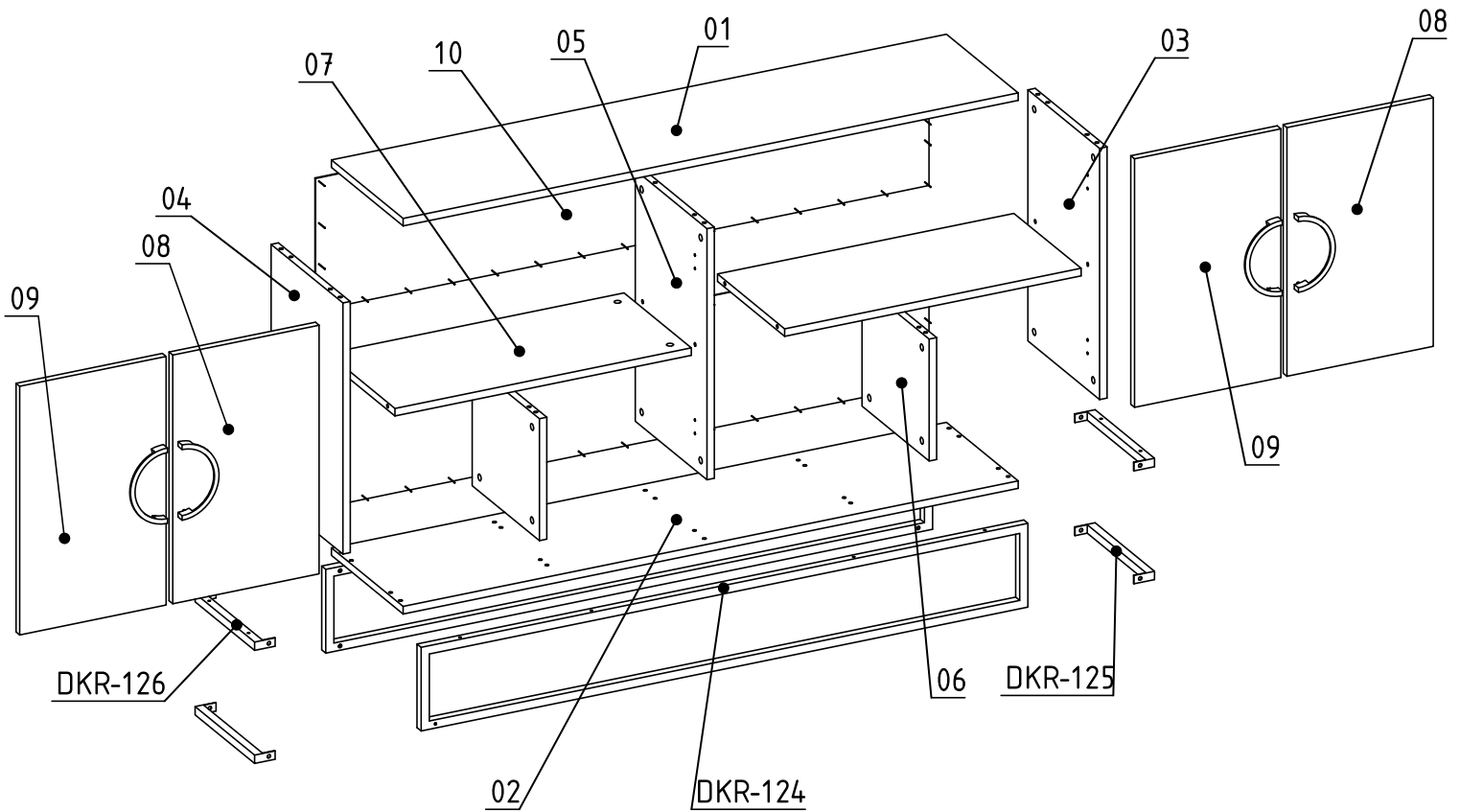


GP042-0224,1

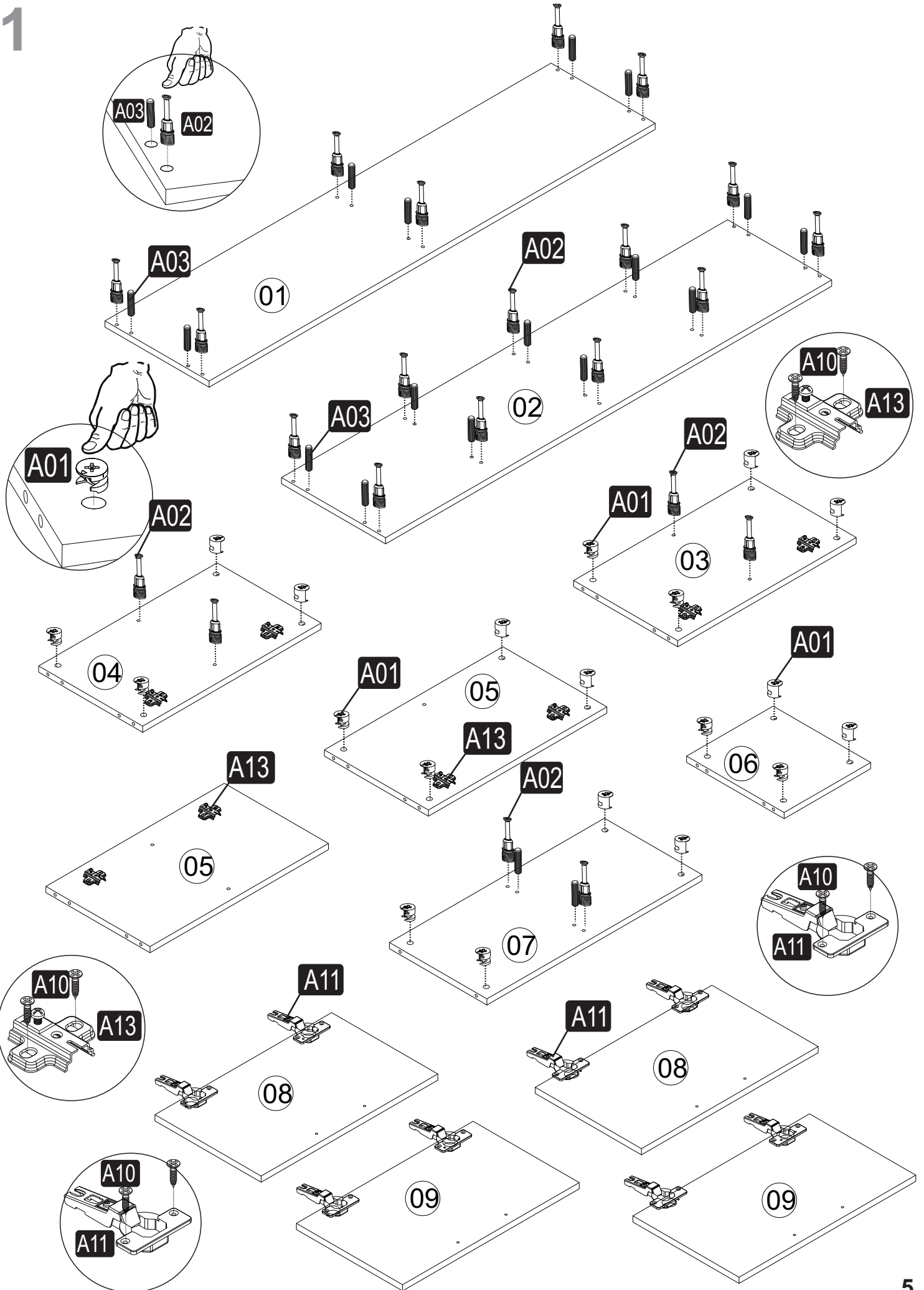


150 x 35 x 83,6cm

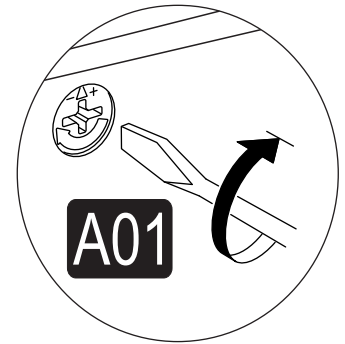
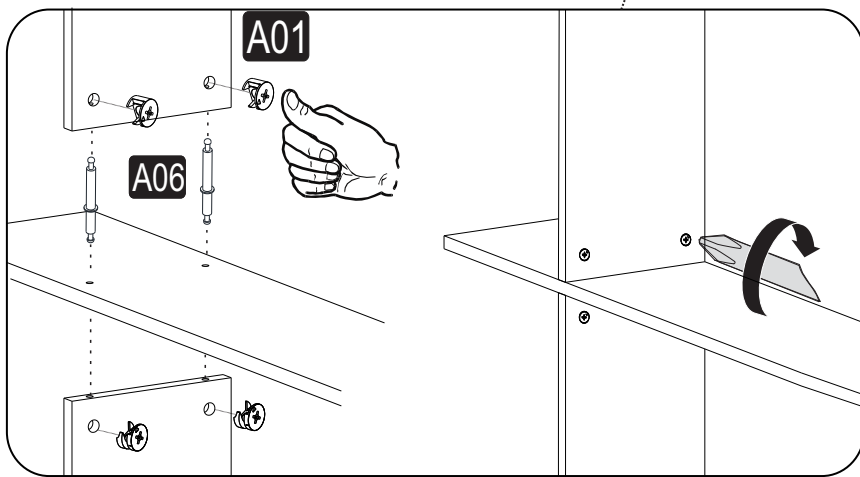
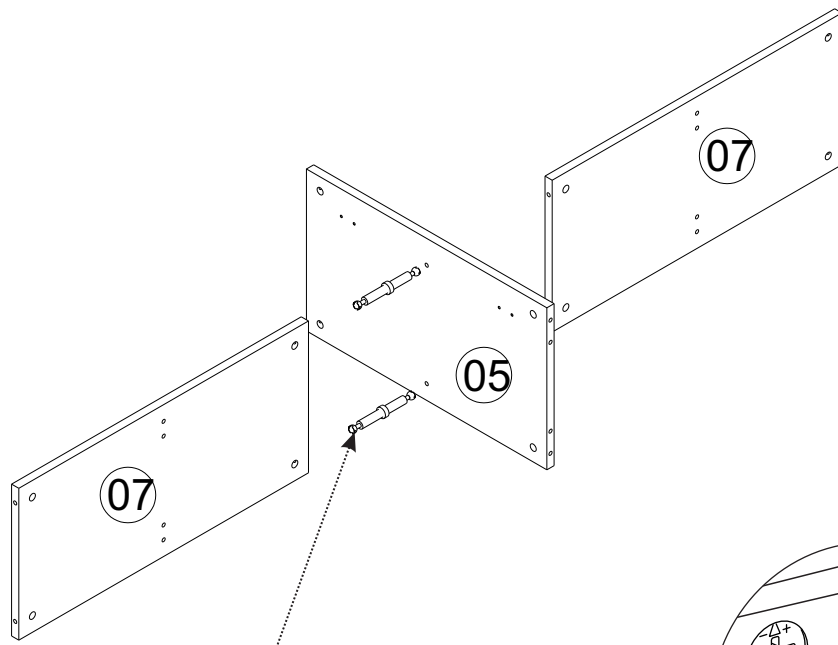
A01  28x	A02  24x	A03  20x	A28  70x	C77  DKR-124 H1480*20 1x
C78  DKR-125 H290*20 1x	C79  DKR-126 H290*20 1x	A13 MA  8x	A11 SPM  8x	A06  2x
A38 3,5x35 YHB  14x	A10 3,5x18 YHB  32x	B20 M6x10 YSB  8x	A14 M4x22  8x	F69 MT GOLD  4x
A04  A 28x				



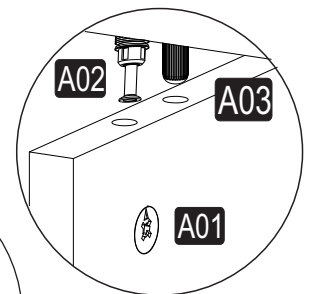
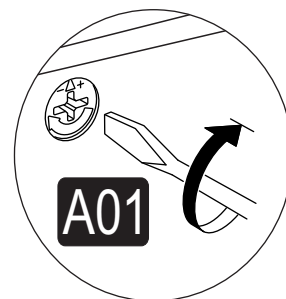
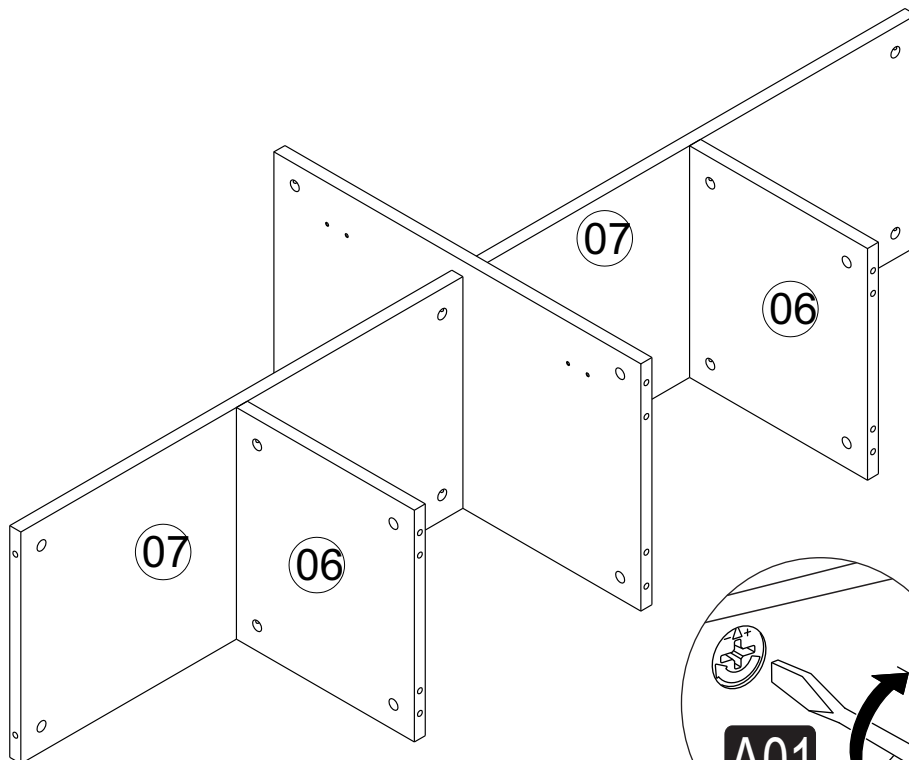
1



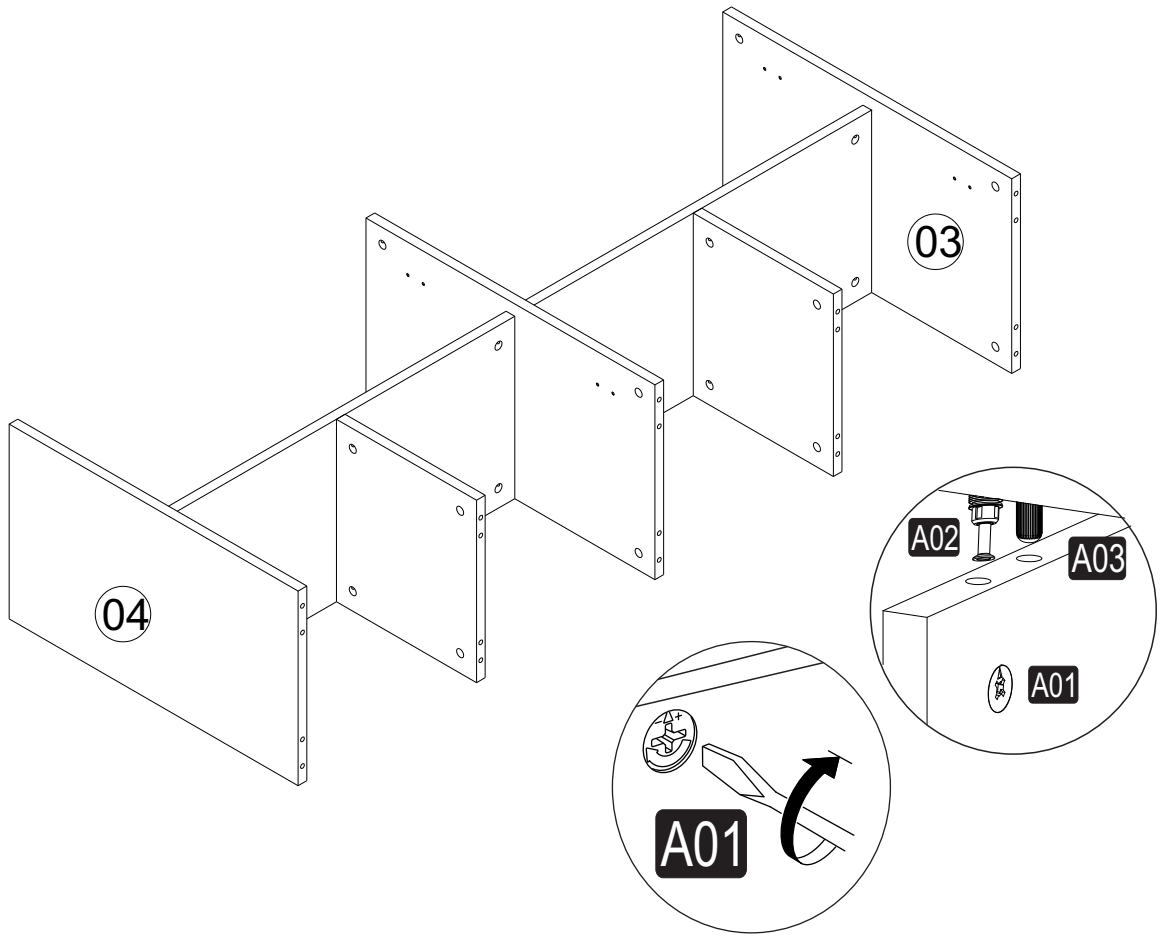
2



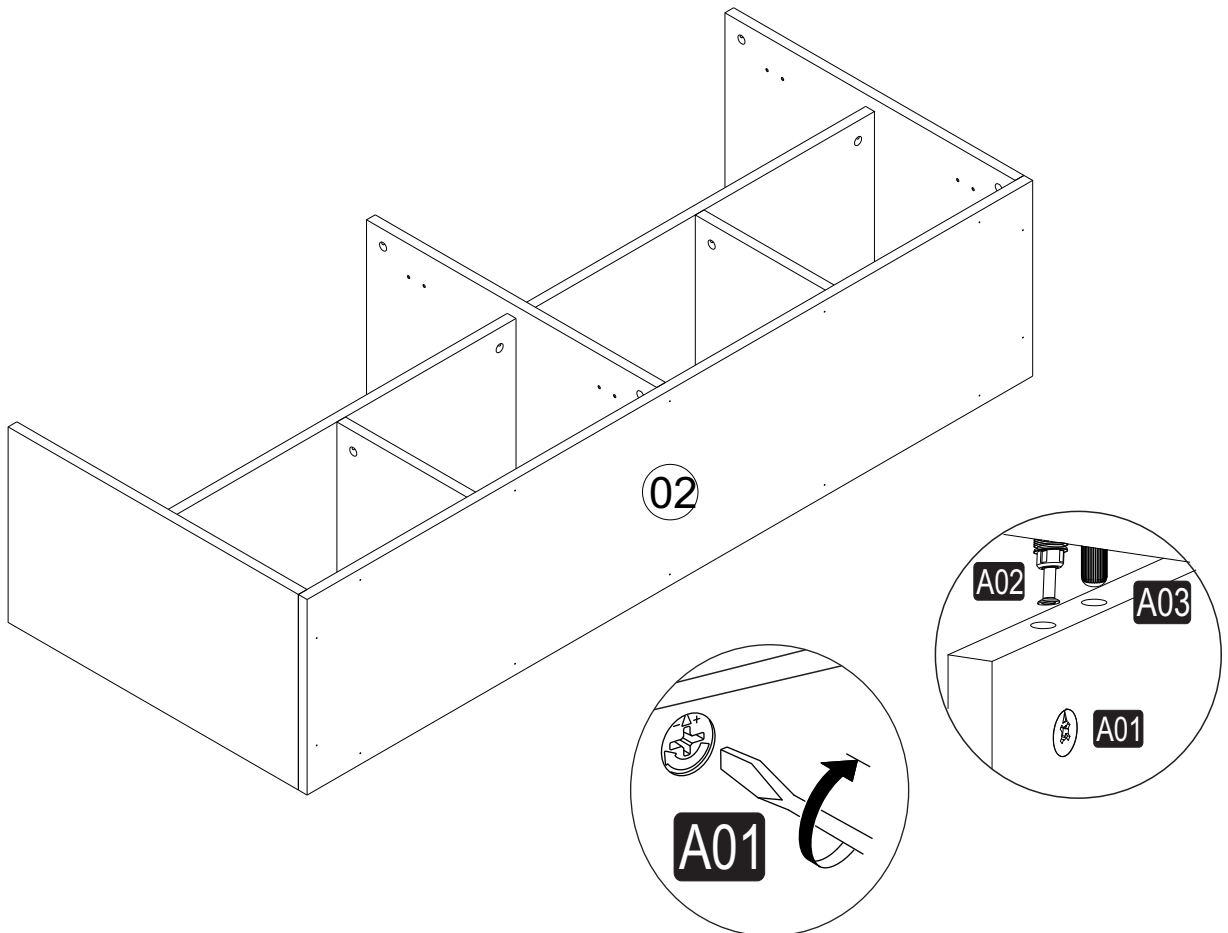
3



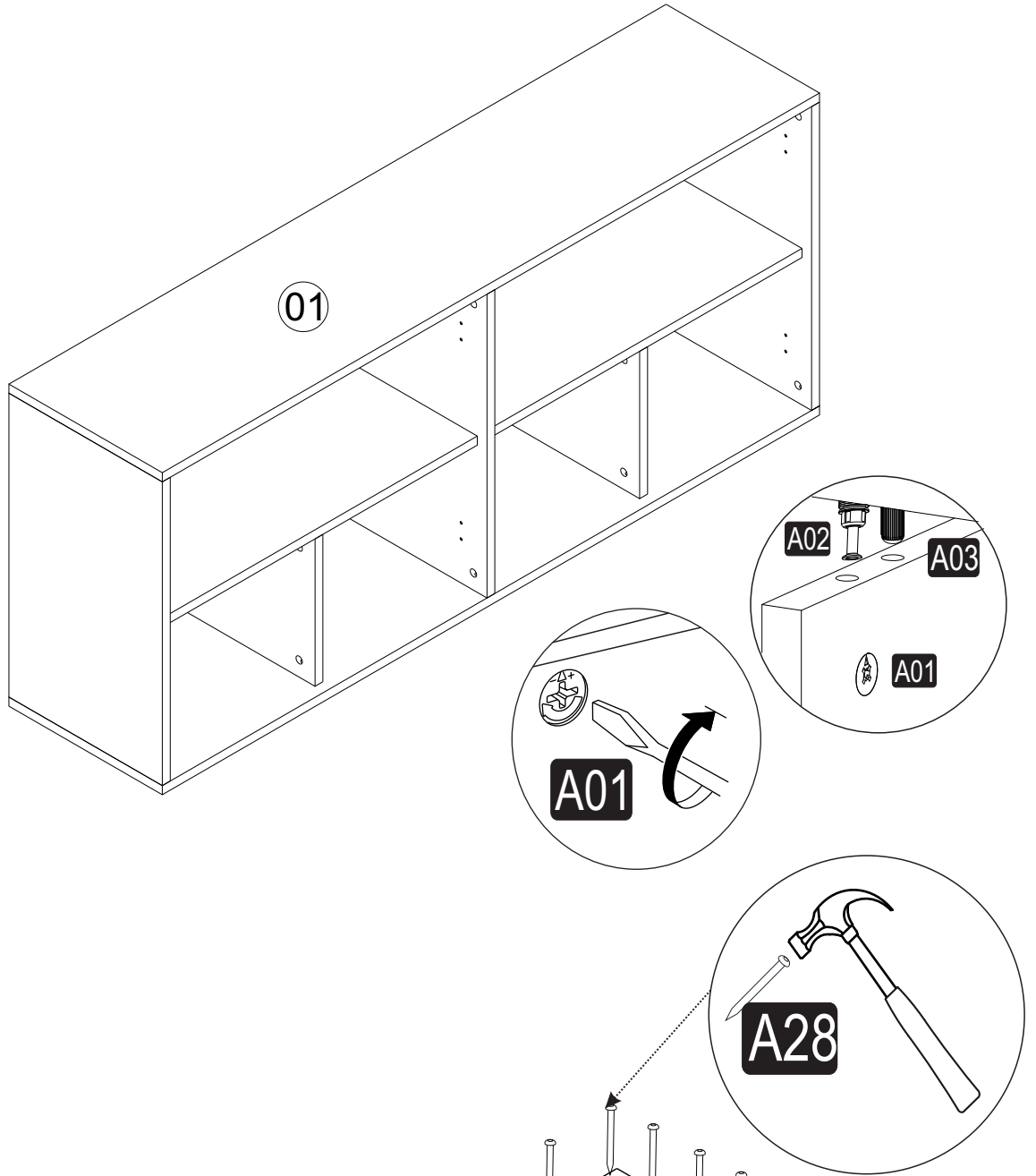
4



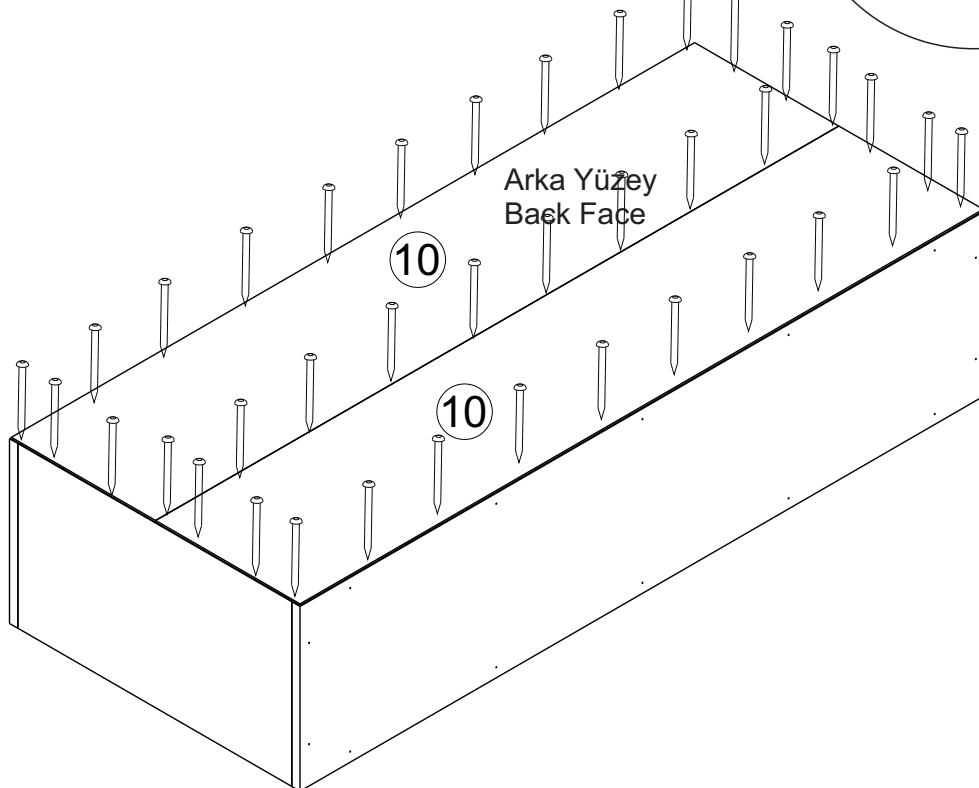
5



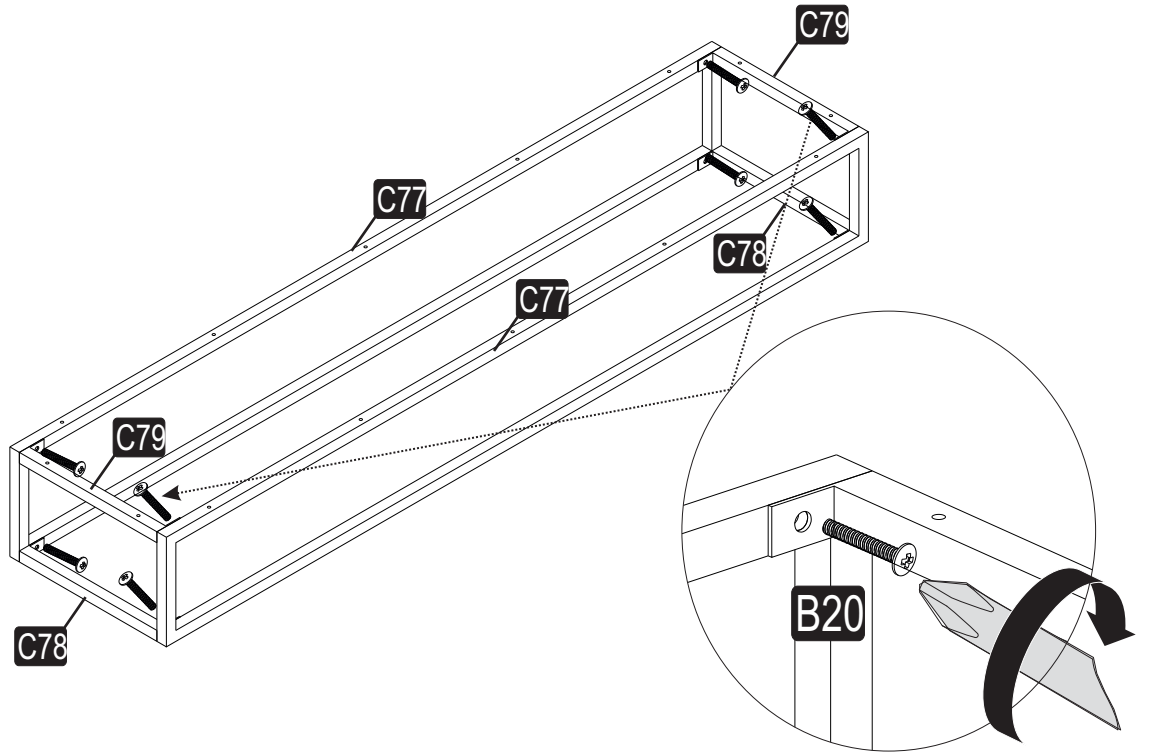
6



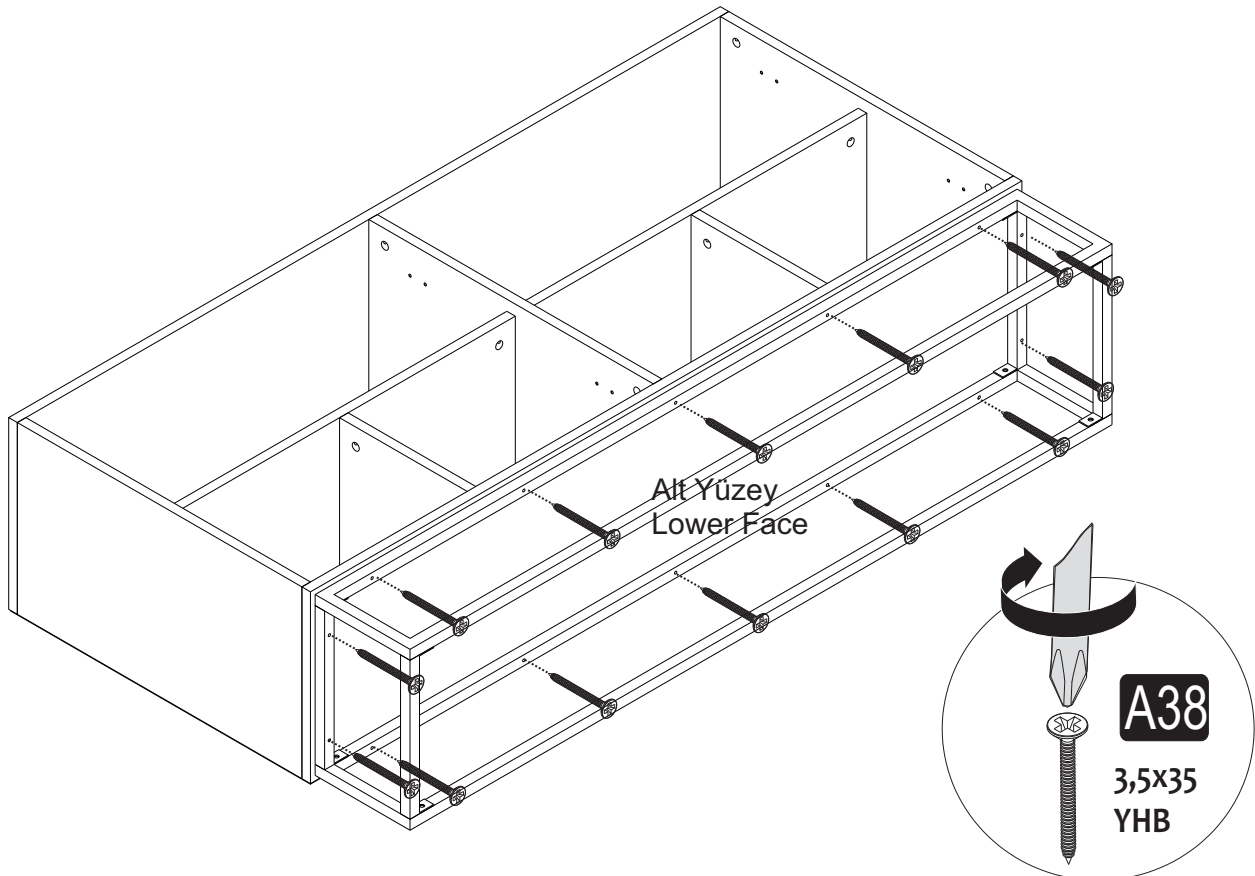
7

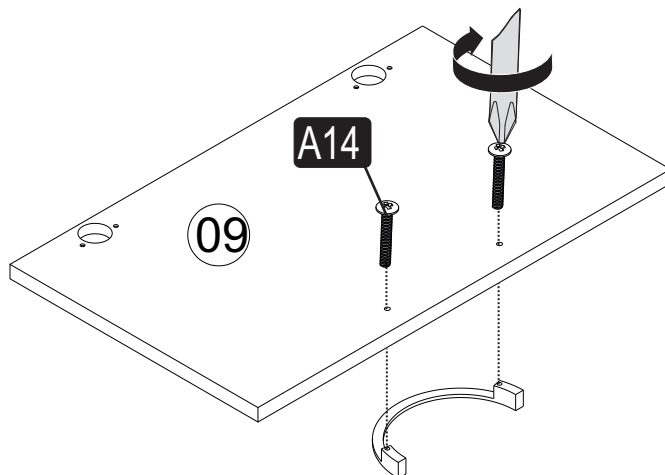
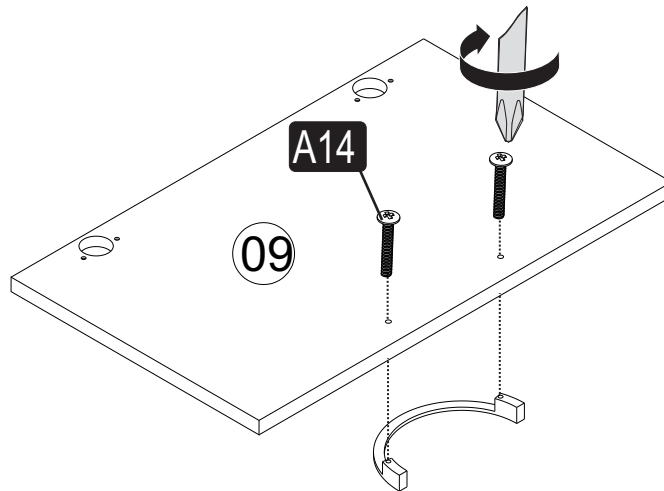
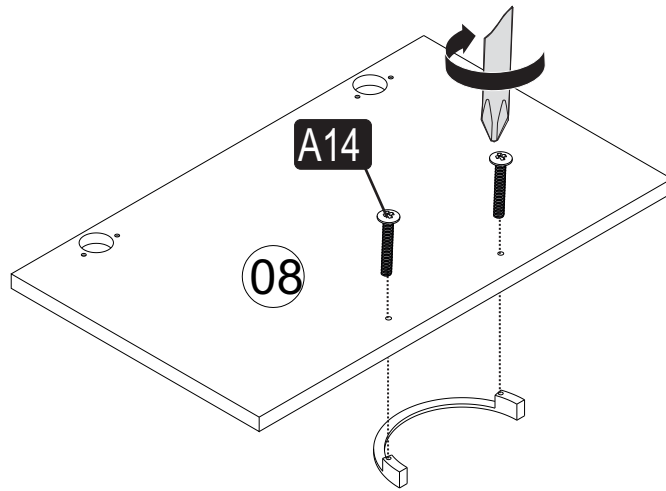
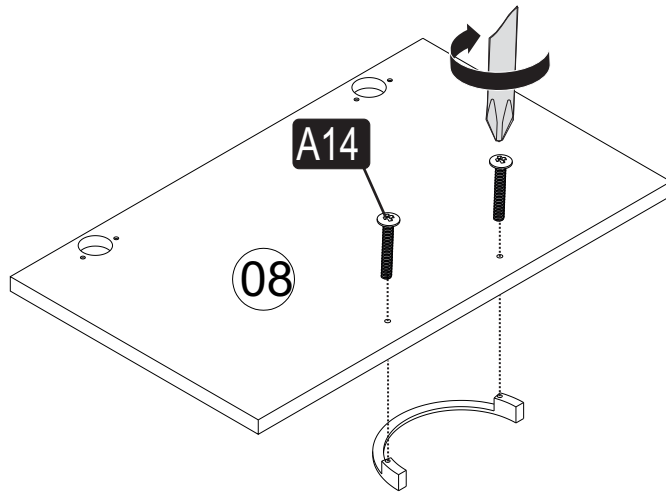


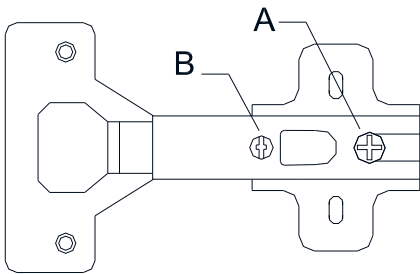
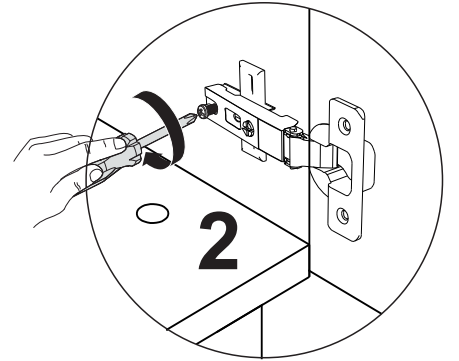
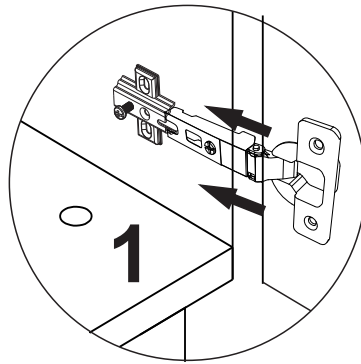
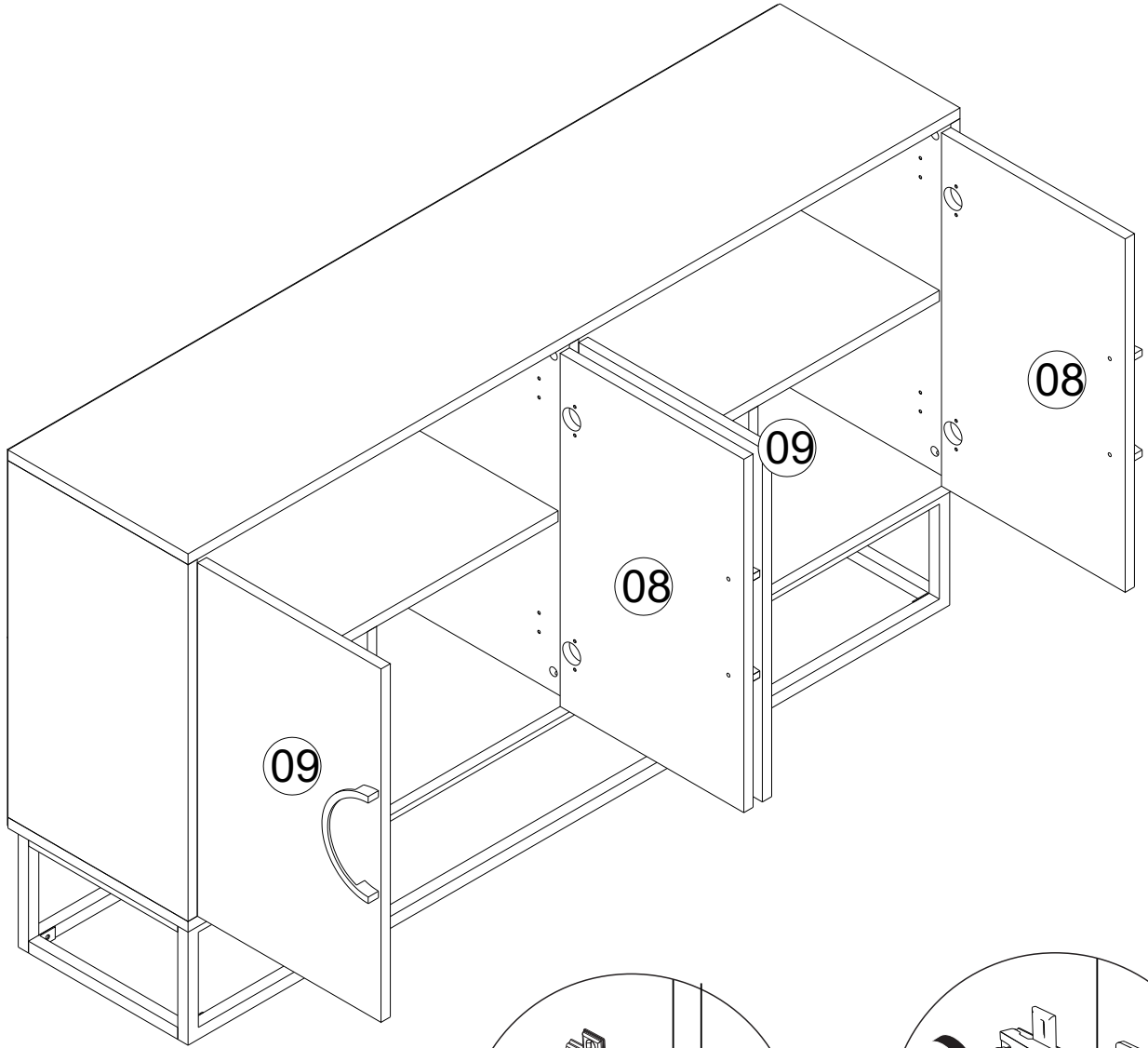
8



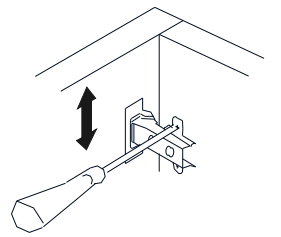
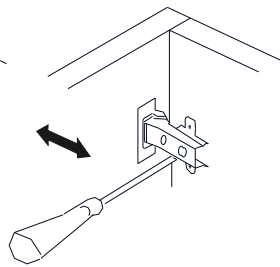
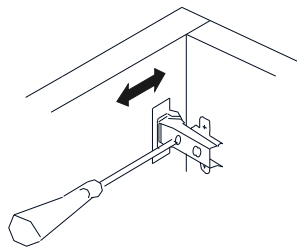
9







A= menteşe bağlama vidası / to connect the hinge to the door
B = kapak ayar vidası / to arrange the door



oklar kapağın ayarlama yönünü gösterir.
arrows to show the directions for arrangement of doors.

