

GP041-0103,1



1/1

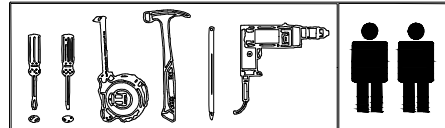


PB
1X

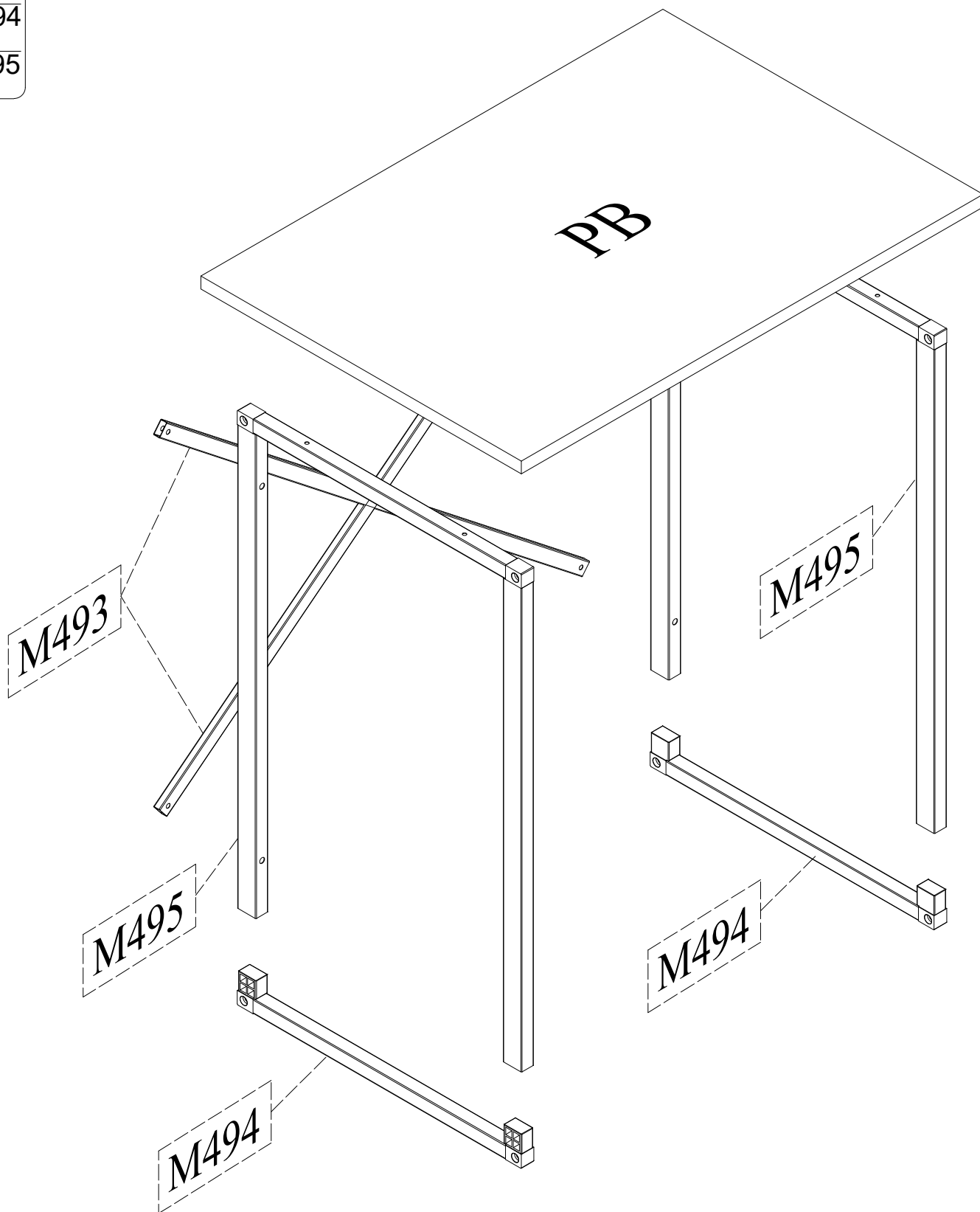
M493
2X

M494
2X

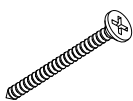
M495
2X



PB750x520 mm

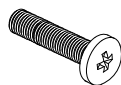


NO: **H100006**
4x35 MM



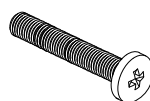
04 X

NO: **H100011**
M6x30 MM



01 X

NO: **H100013**
M6x50 MM

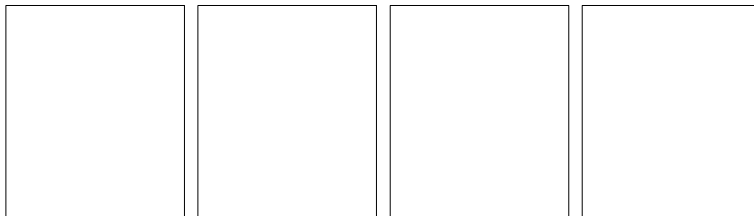


04 x

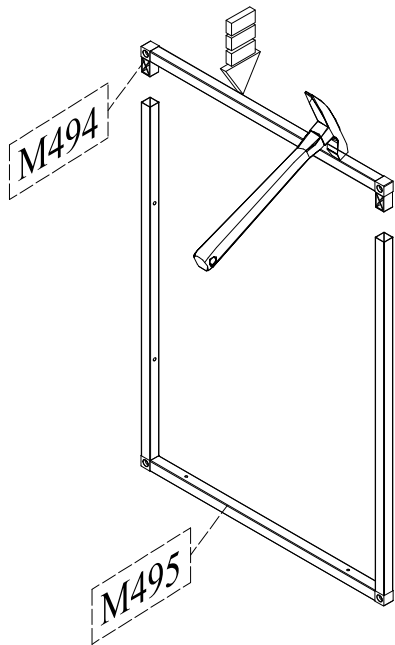
NO: **H100040**



05 x

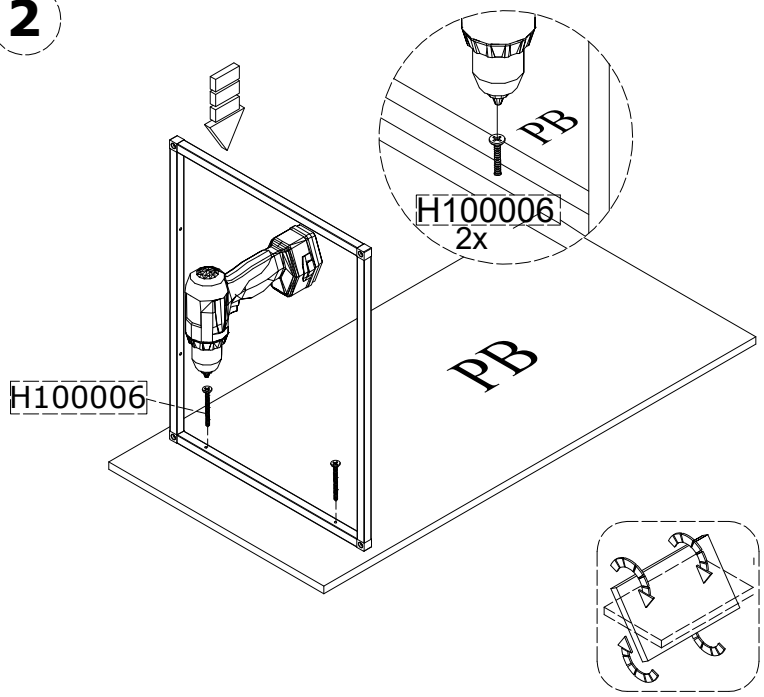


1

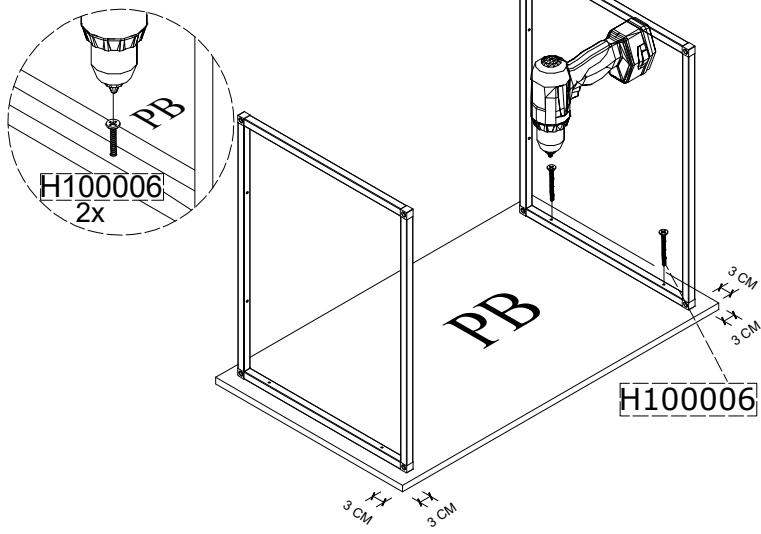


2x

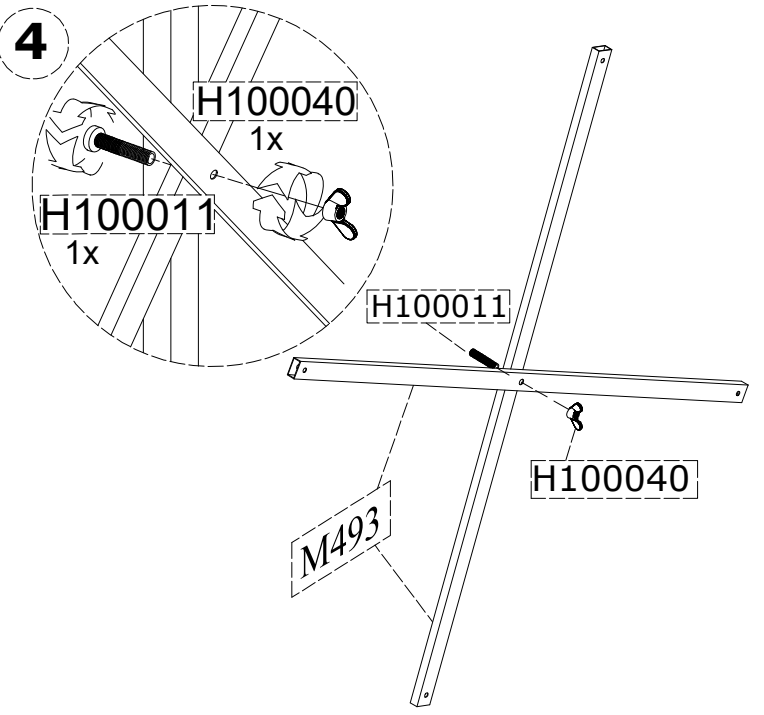
2



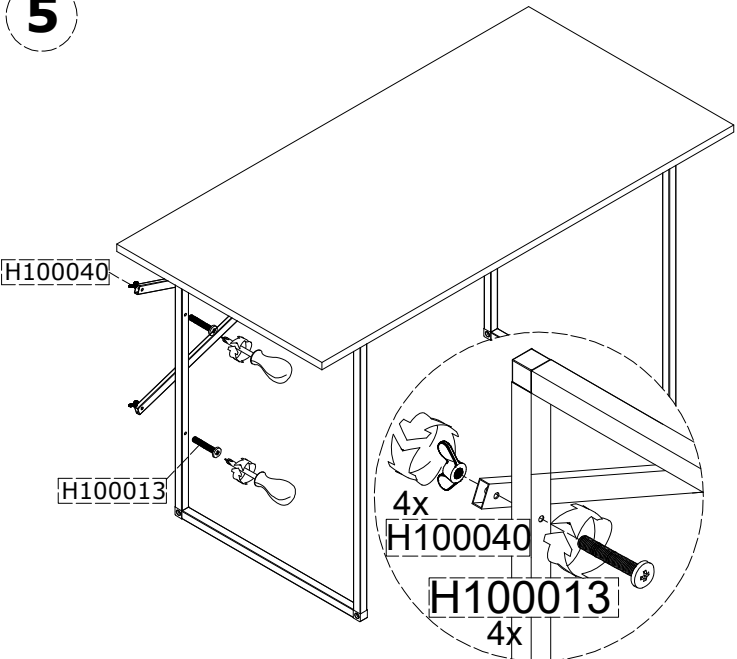
3



4



5



6

