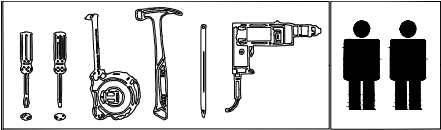


GP041-0104,1

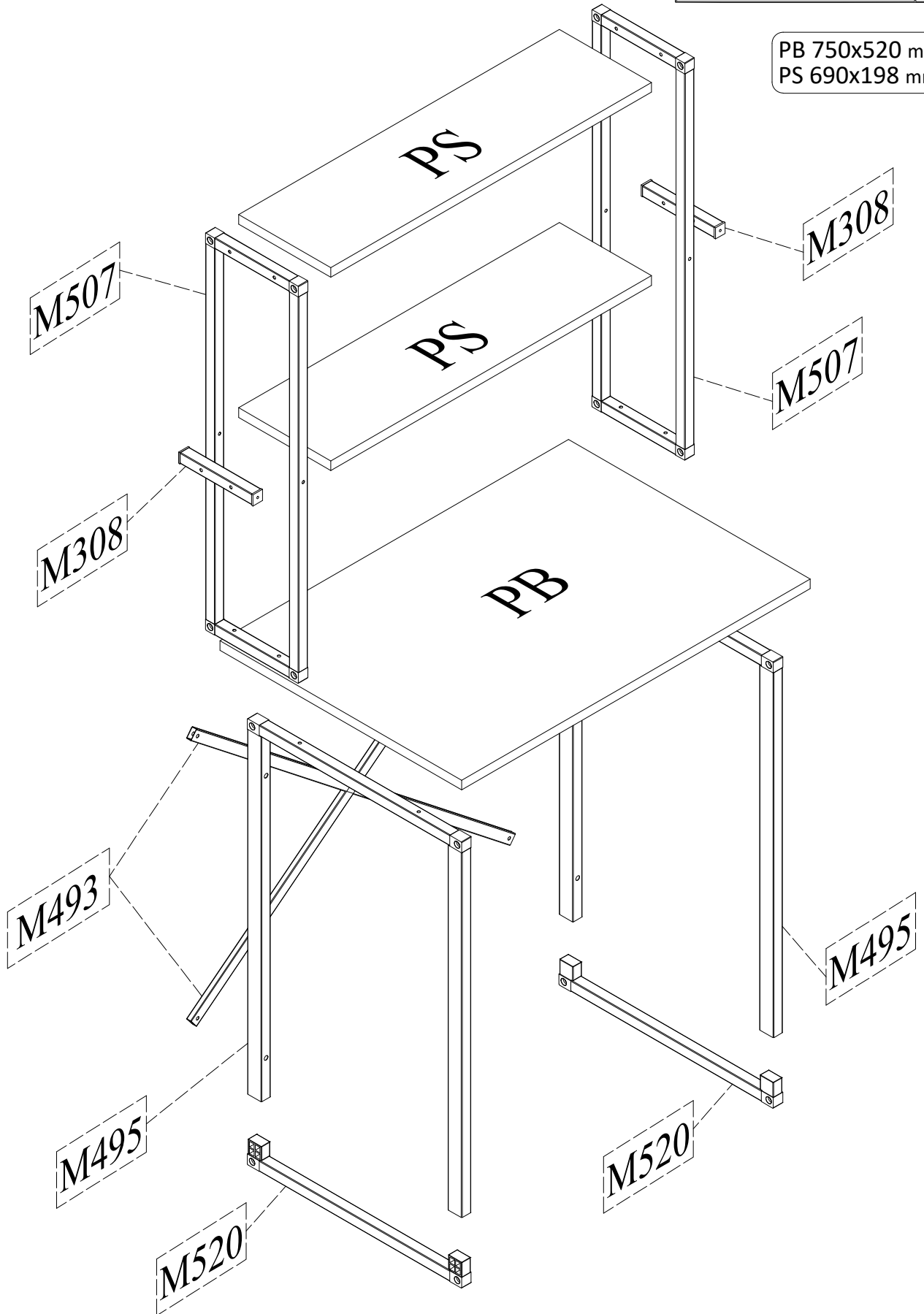


1/2
(A)
 PB
 1x
 M495
 2x
 M520
 2x
 M493
 2x

2/2
 PS
 2x
 M308
 2x
 M507
 2x

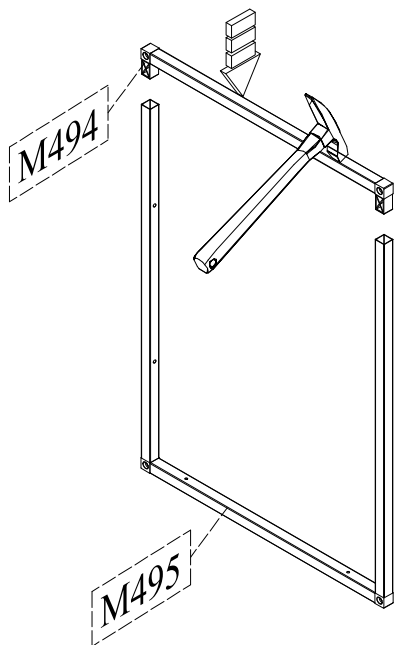


PB 750x520 mm
 PS 690x198 mm



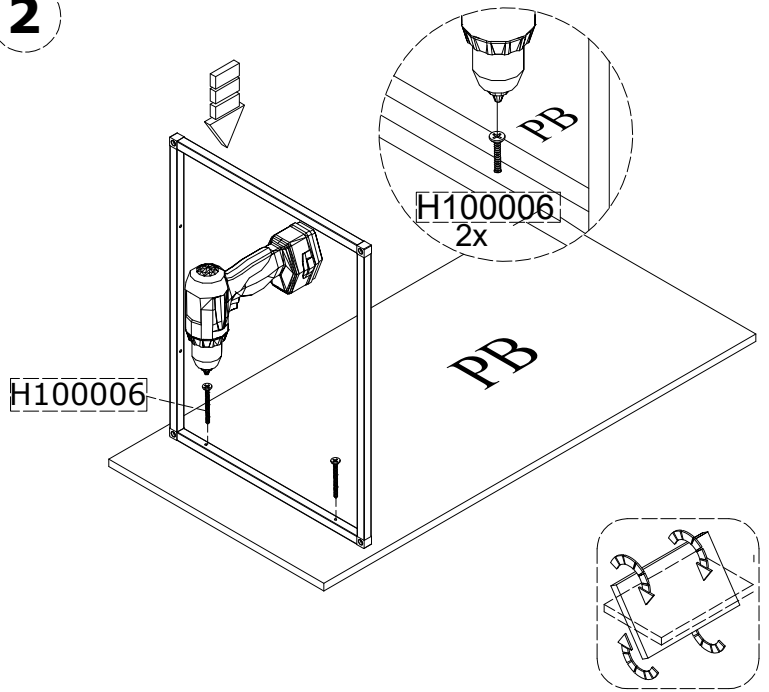
NO: H100006 4x35 MM	NO: H100011 M6x30 MM	NO: H100013 M6x50 MM	NO: H100040	NO: H100008 5x50 MM			
16 X	01 X	04 X	05 x	04 X			

1

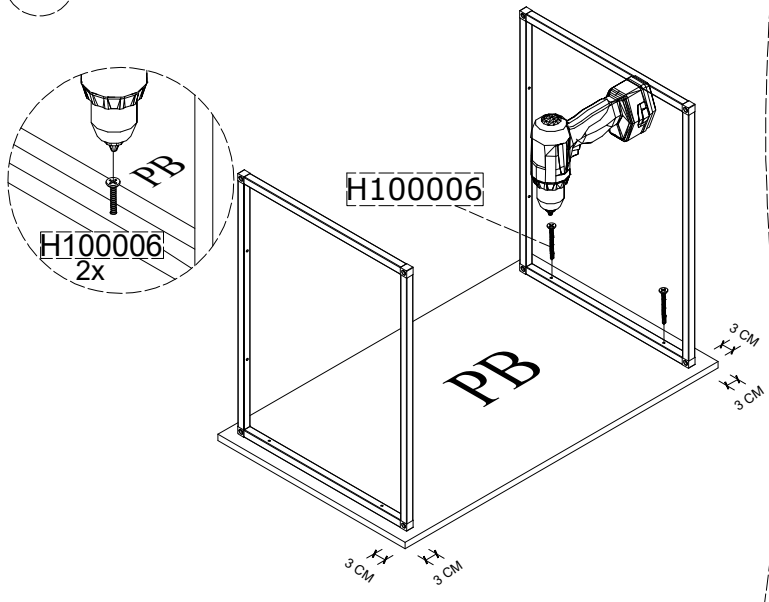


2x

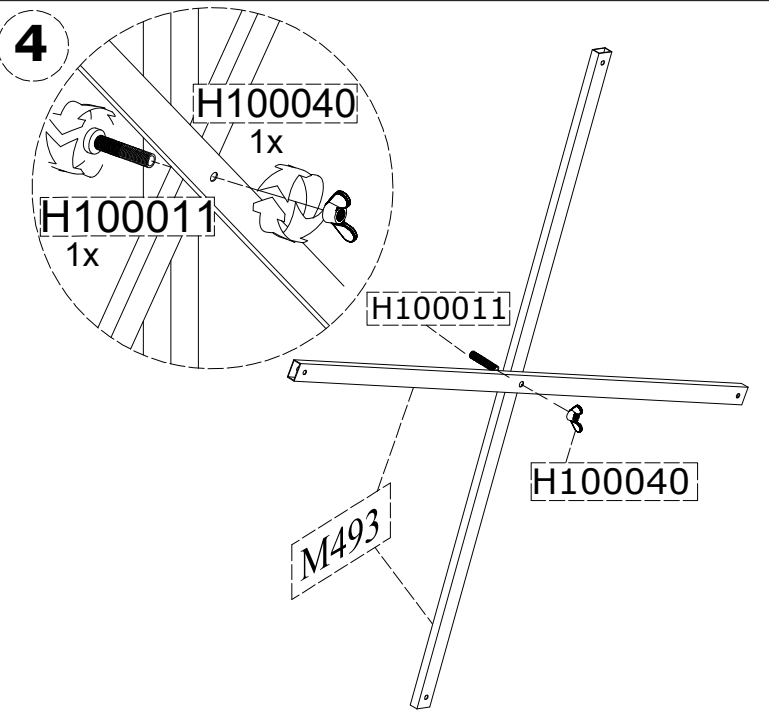
2



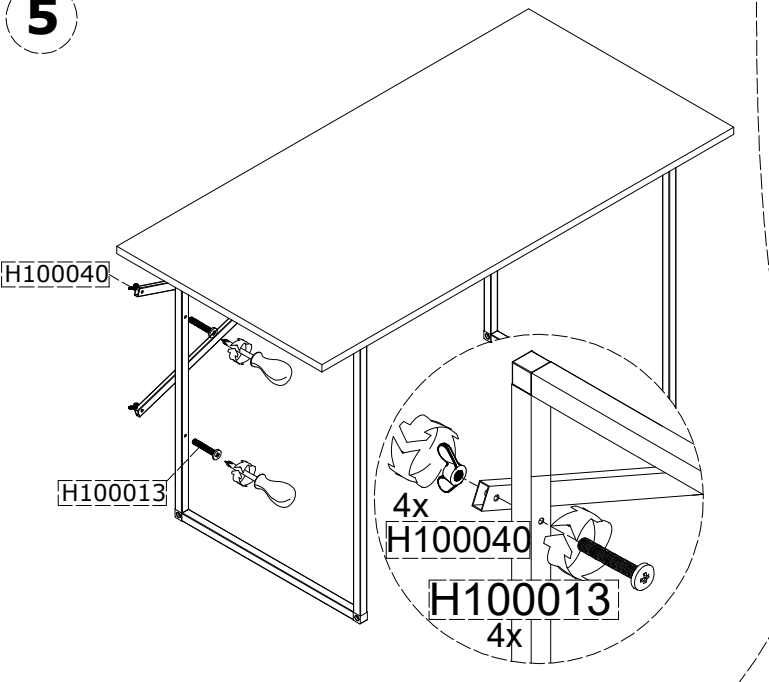
3



4



5



6

