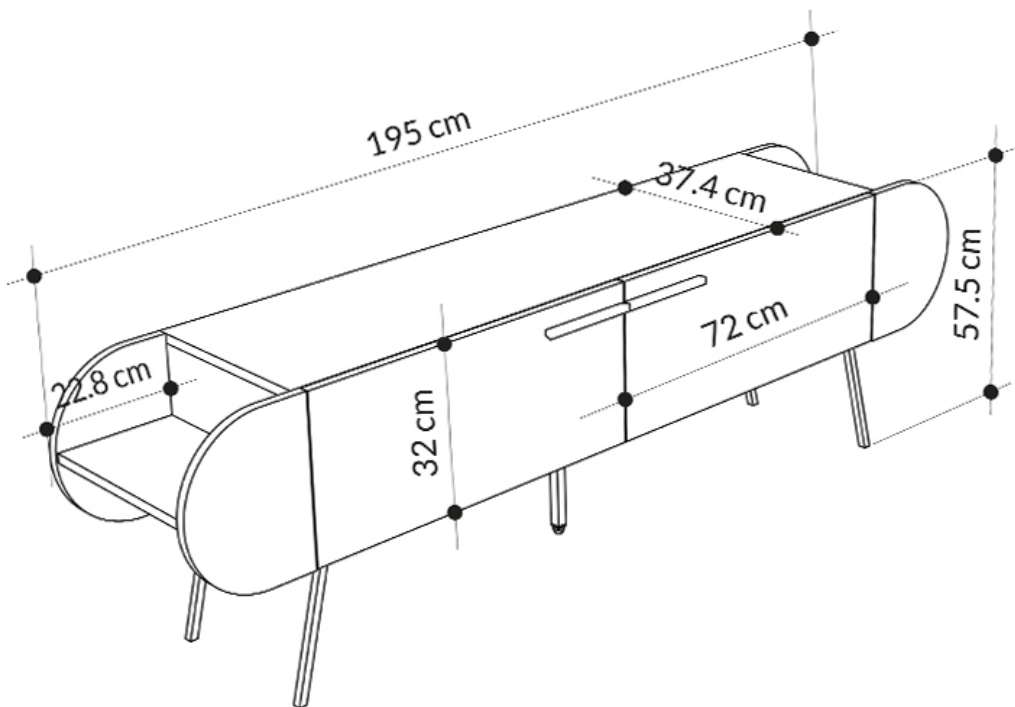
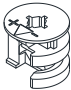
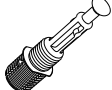
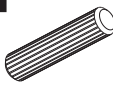



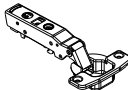


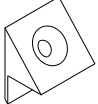



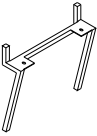

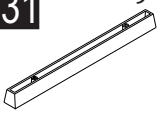


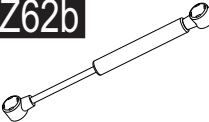

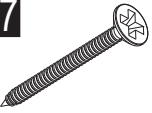

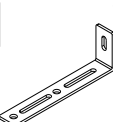
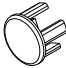
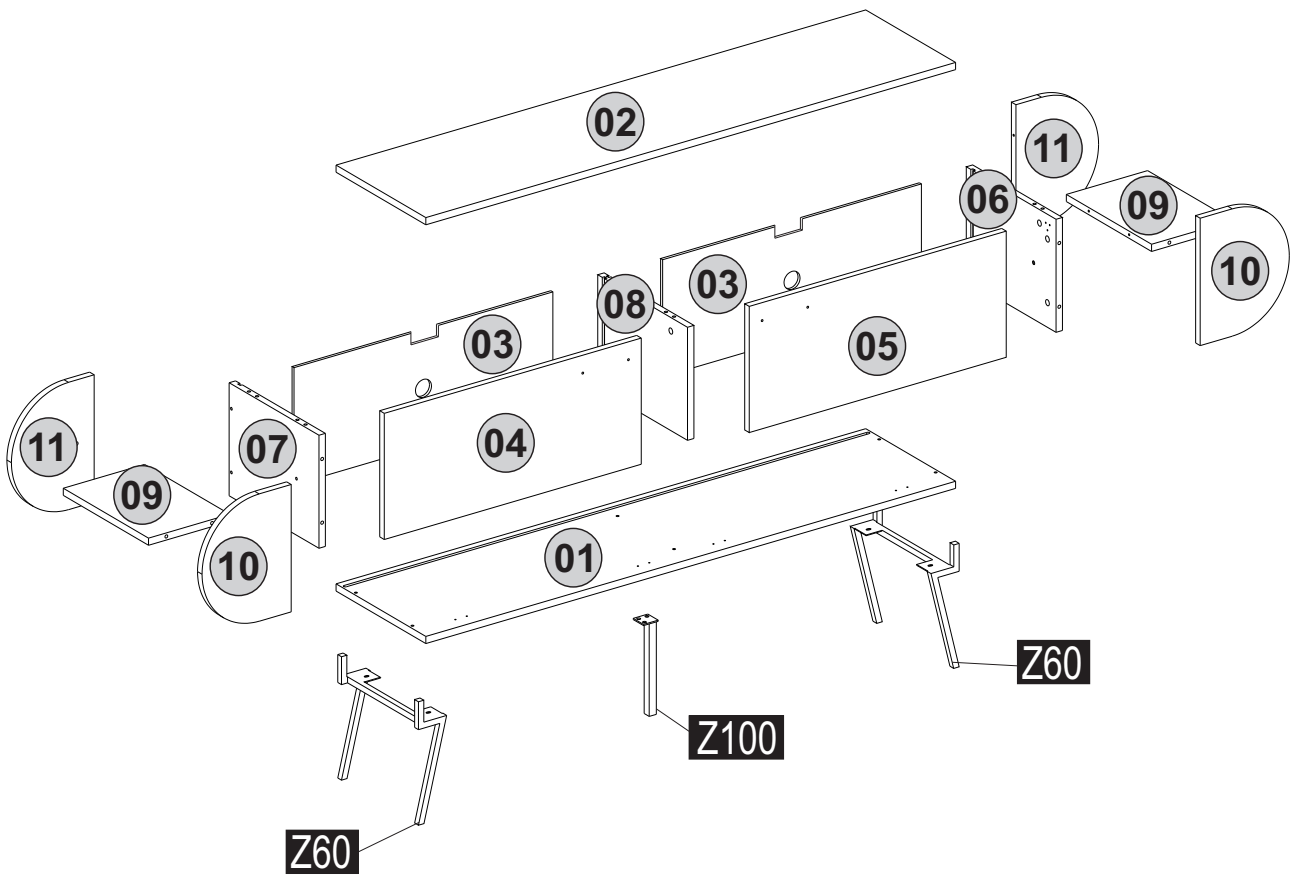


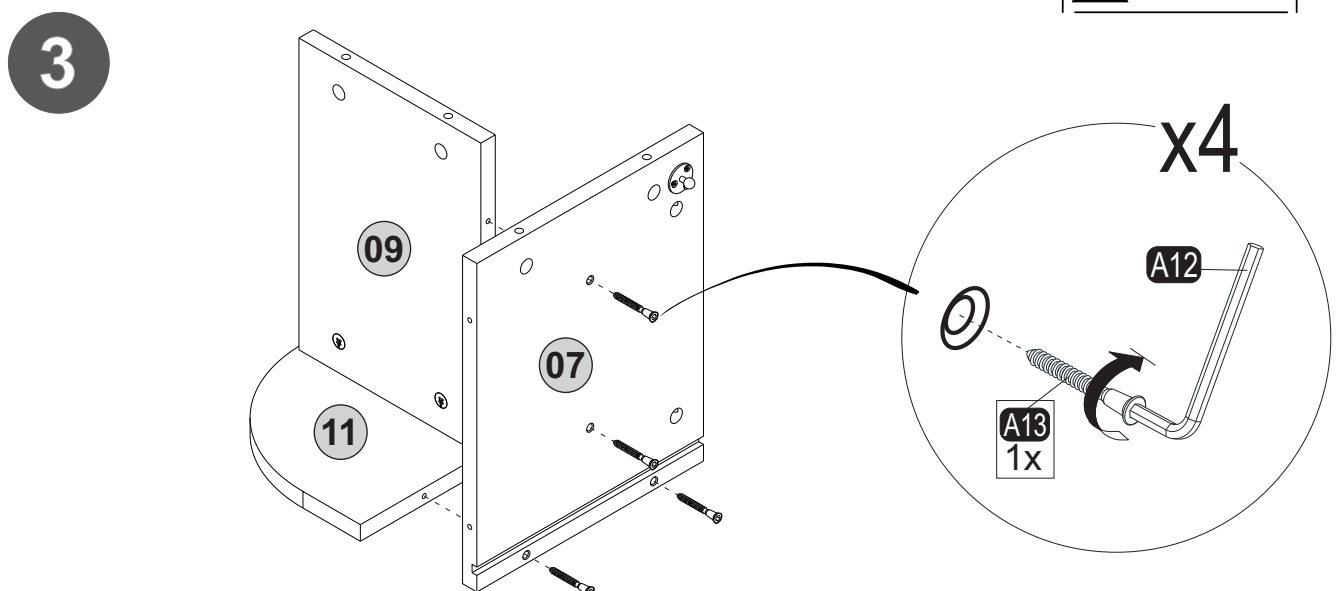
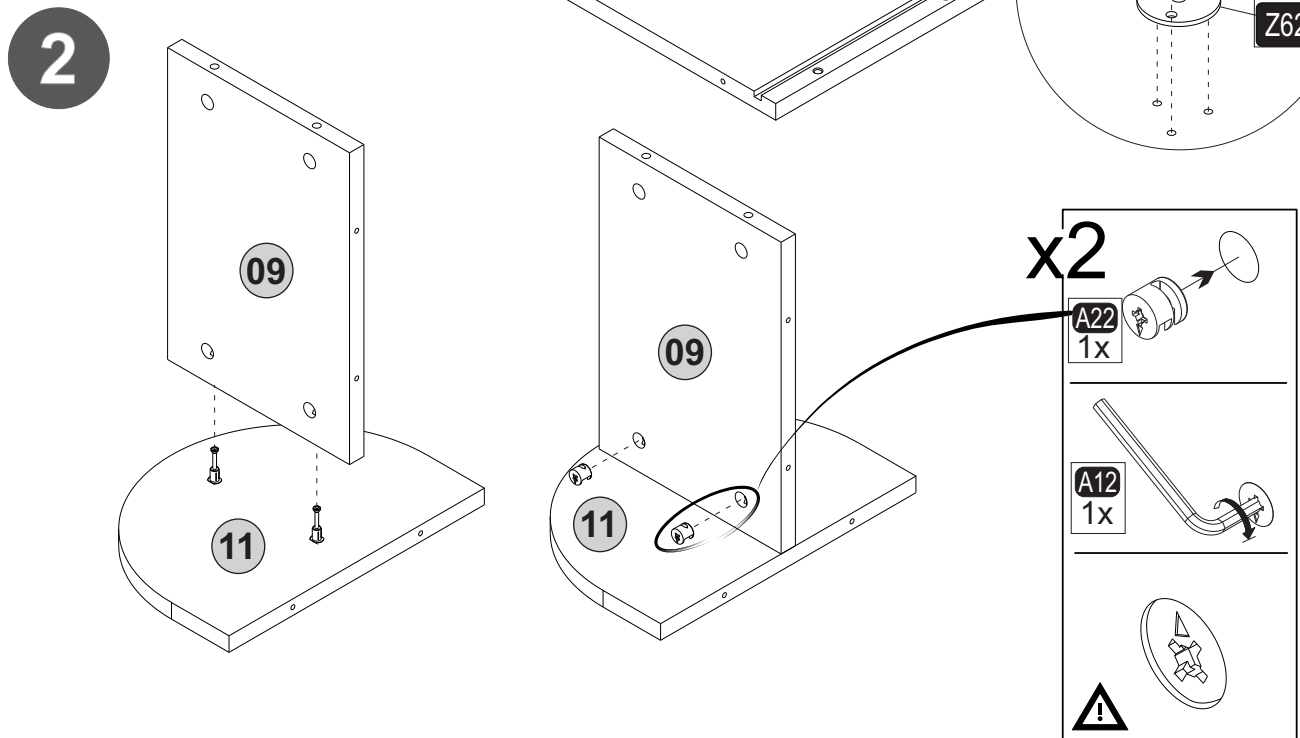
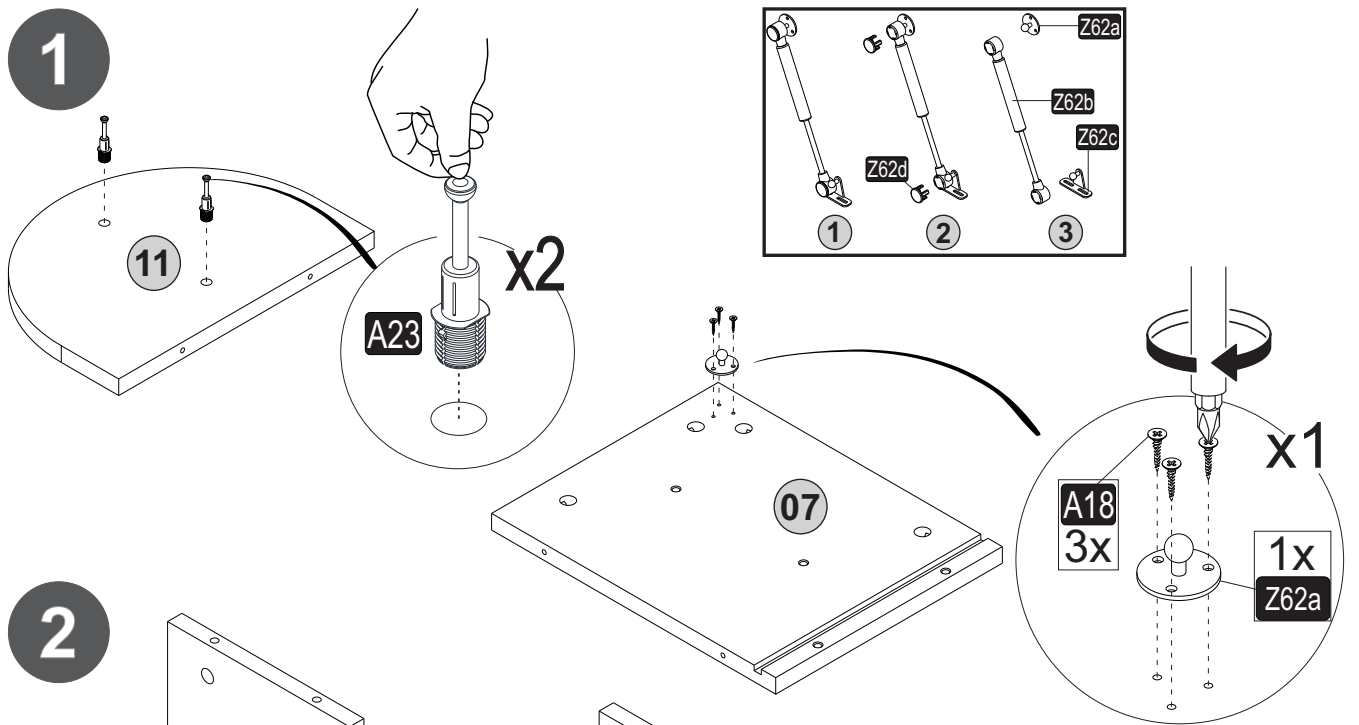


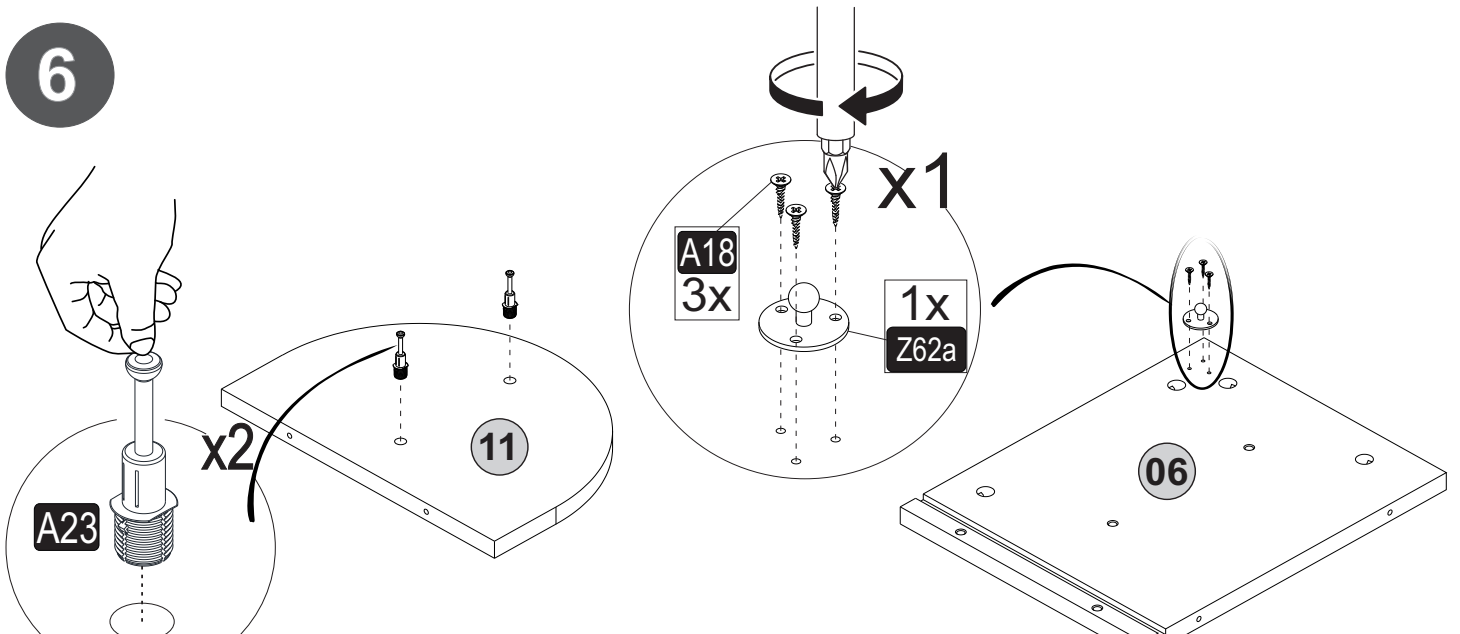
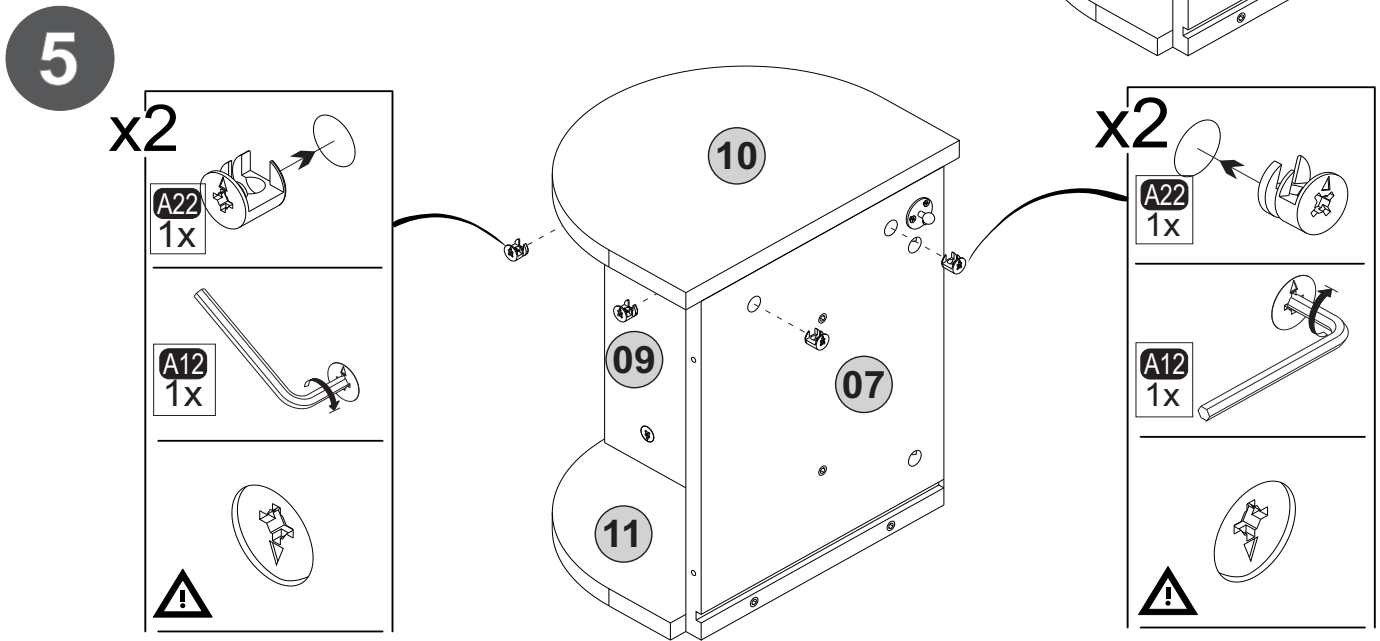
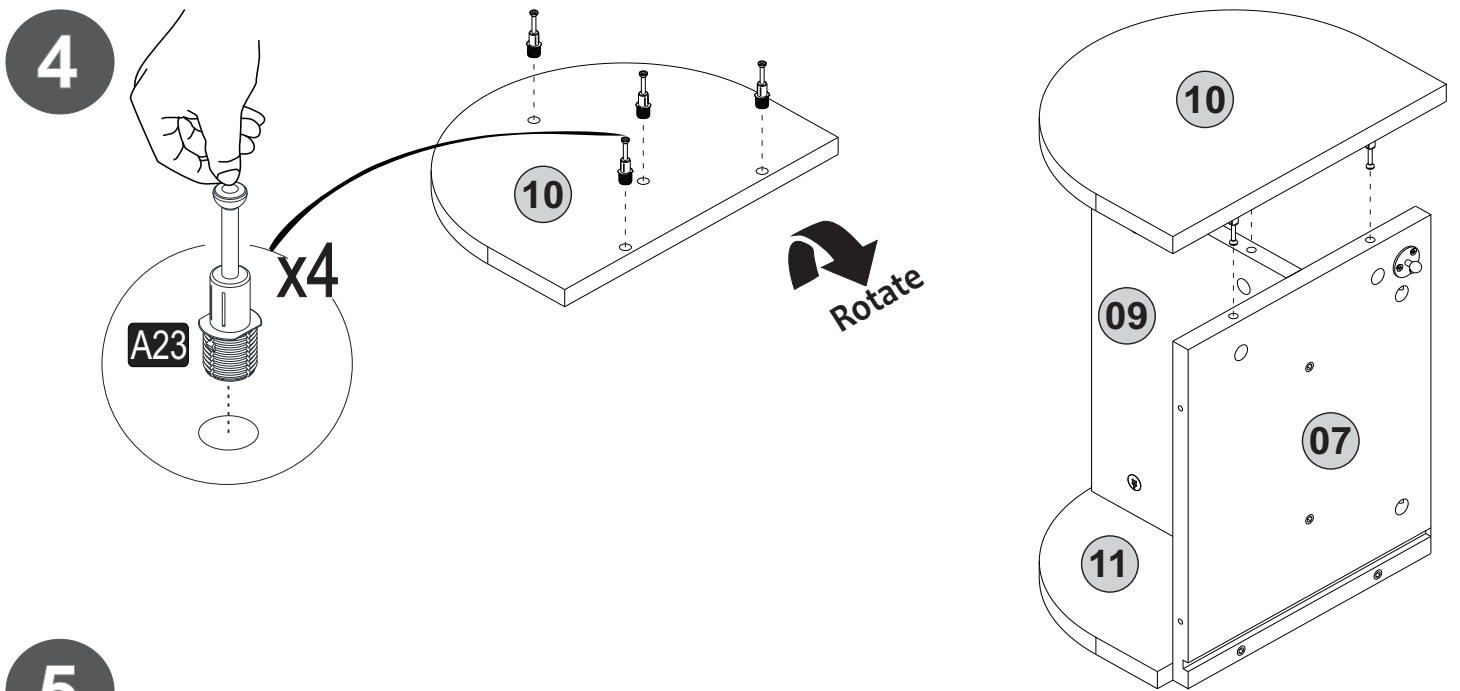
GP037-0054,2



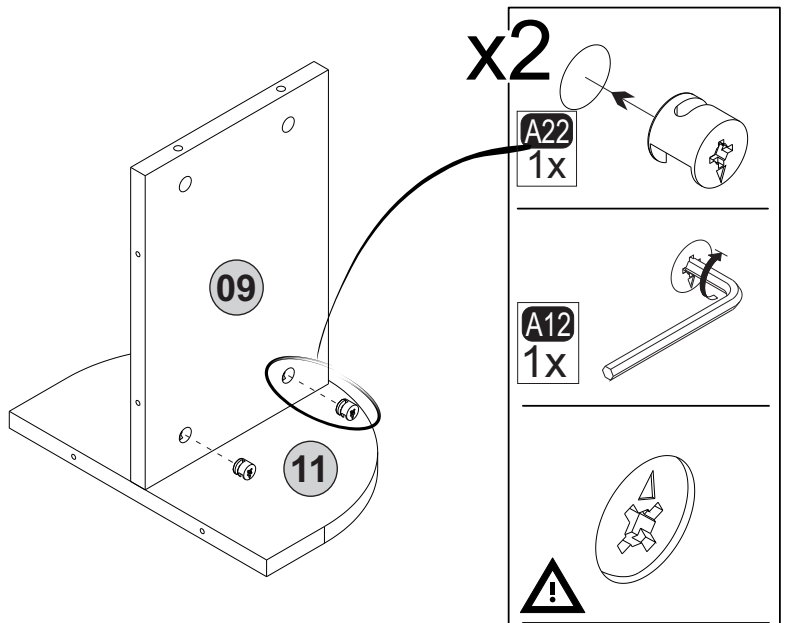
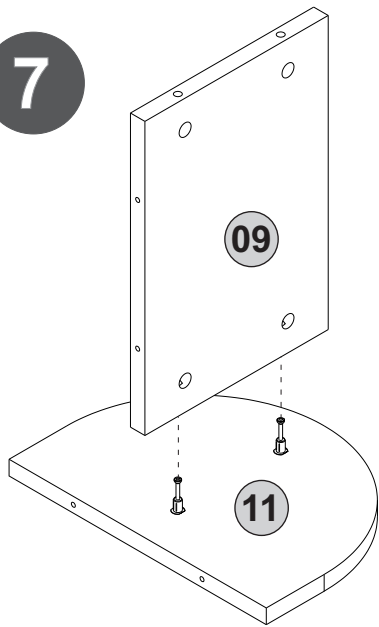
A22 Minifix k18  18x	A23 Minifix M10  18x	A04 Ø8  6x	A12 Allen  1x	A06 18mm  C1-32x
C14 Dm(S)  2x	C17 DmF(S)  2x	C20 Mtk(S)  4x	A18 3,5x18  46x	A25 ARK.PL  8x
A13 50mm  14x	B15 15 (black)mm  7x	A69 P.D.  7x	Z60 NMA  2x	Z100 A.M.A 255mm  1x
Z131 15x15 PK  2x	Z07 4x22kv  4x	Z62a DKP  2x	Z62b DKP  2x	Z62c DKP  2x
A17 4x50  2x	A16 DbØ8  2x	A87 15x90x30  2x	Z62d DKP  4x	



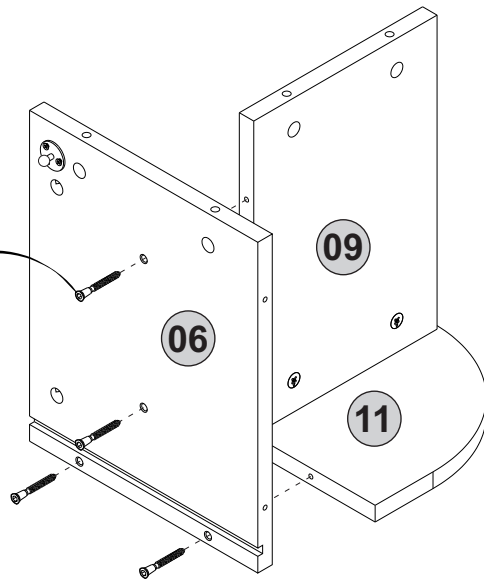
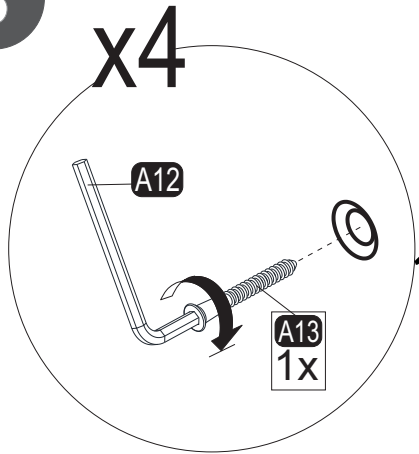




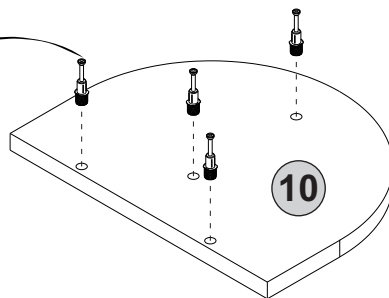
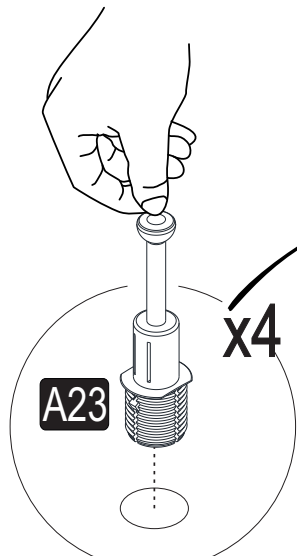
7



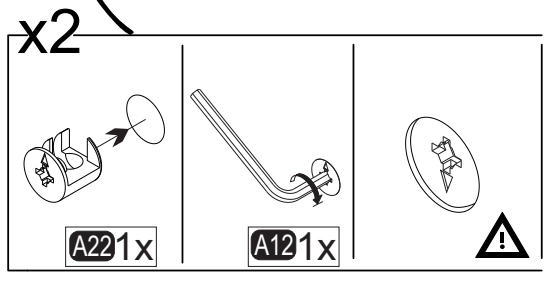
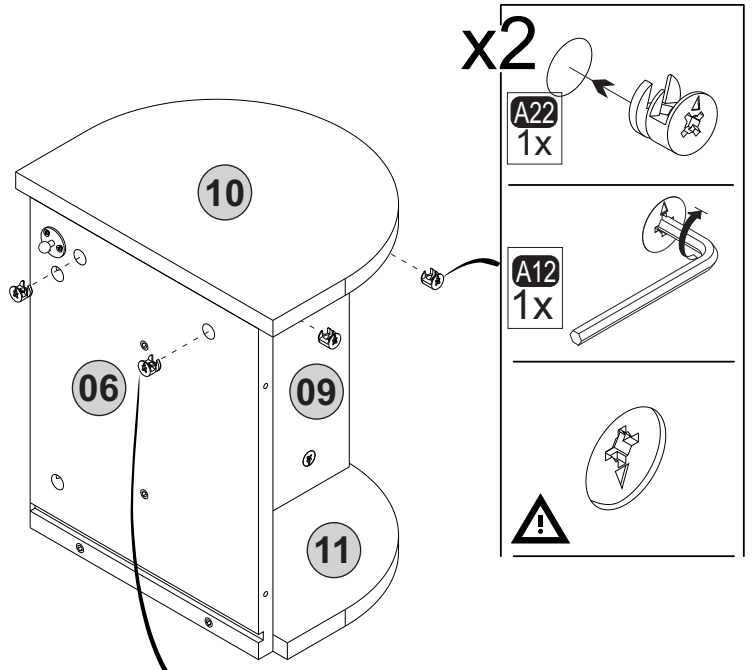
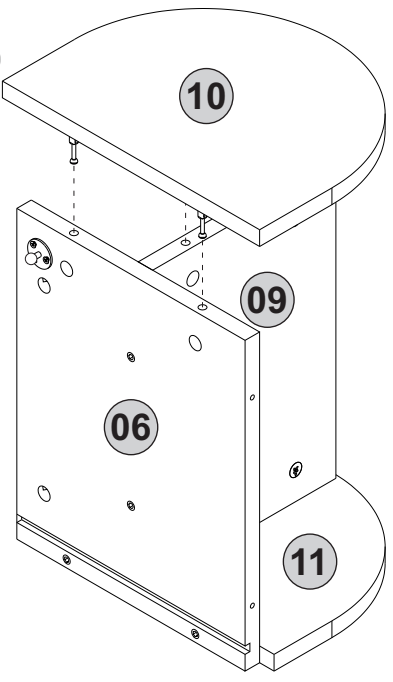
8



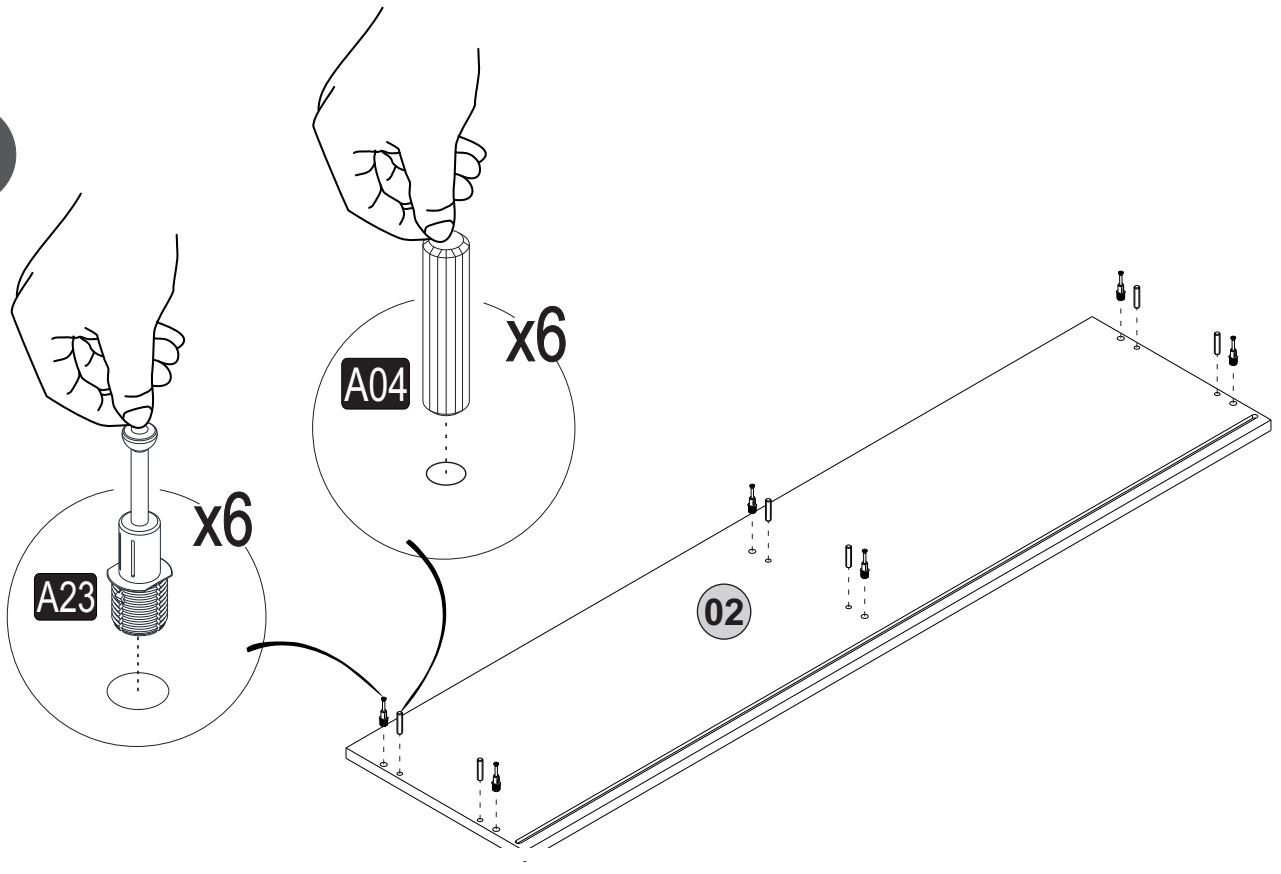
9



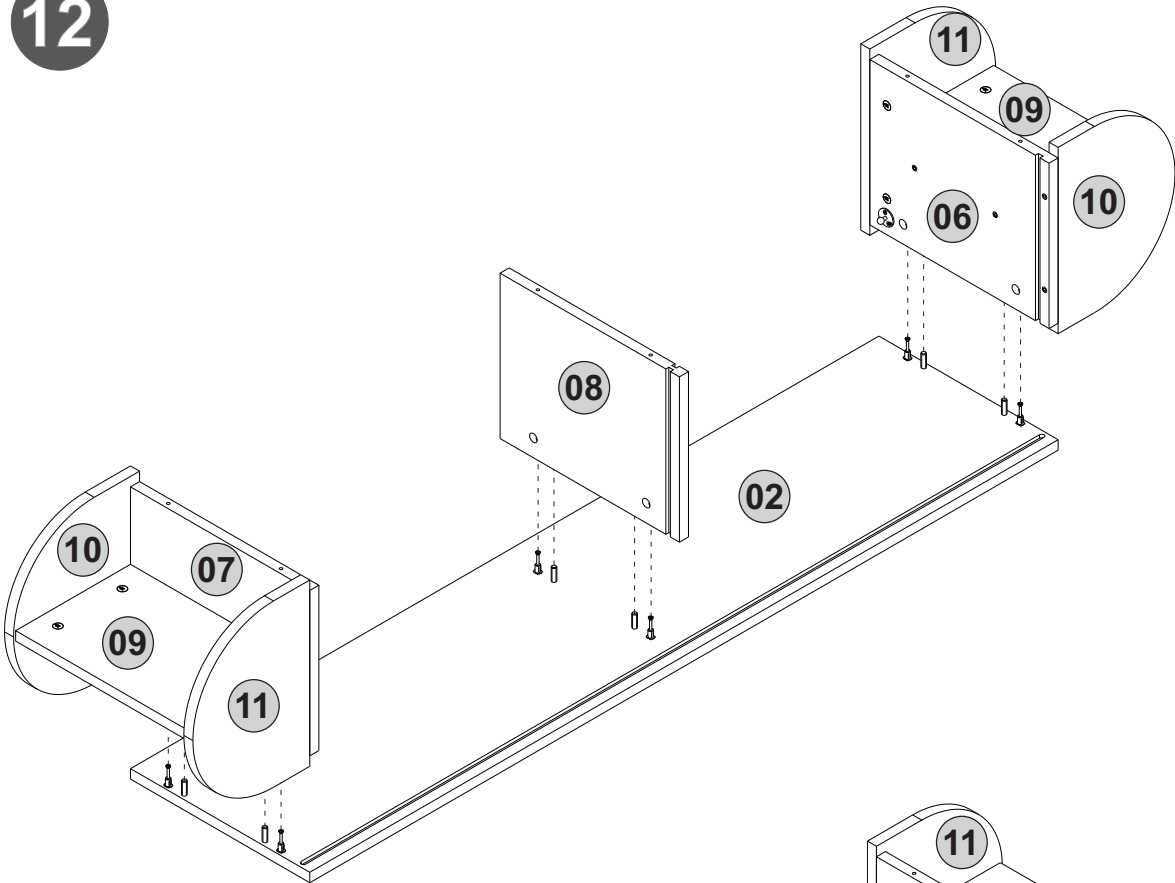
10



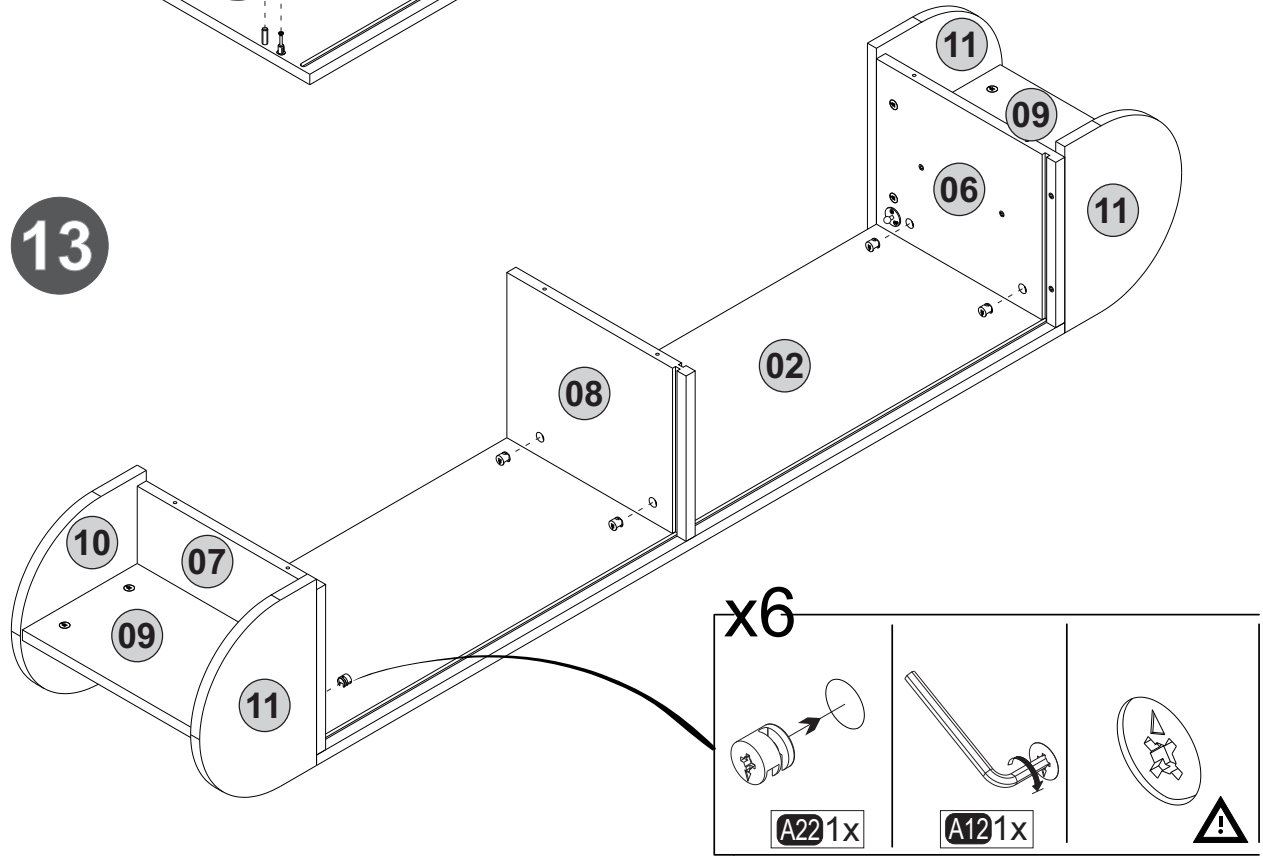
11



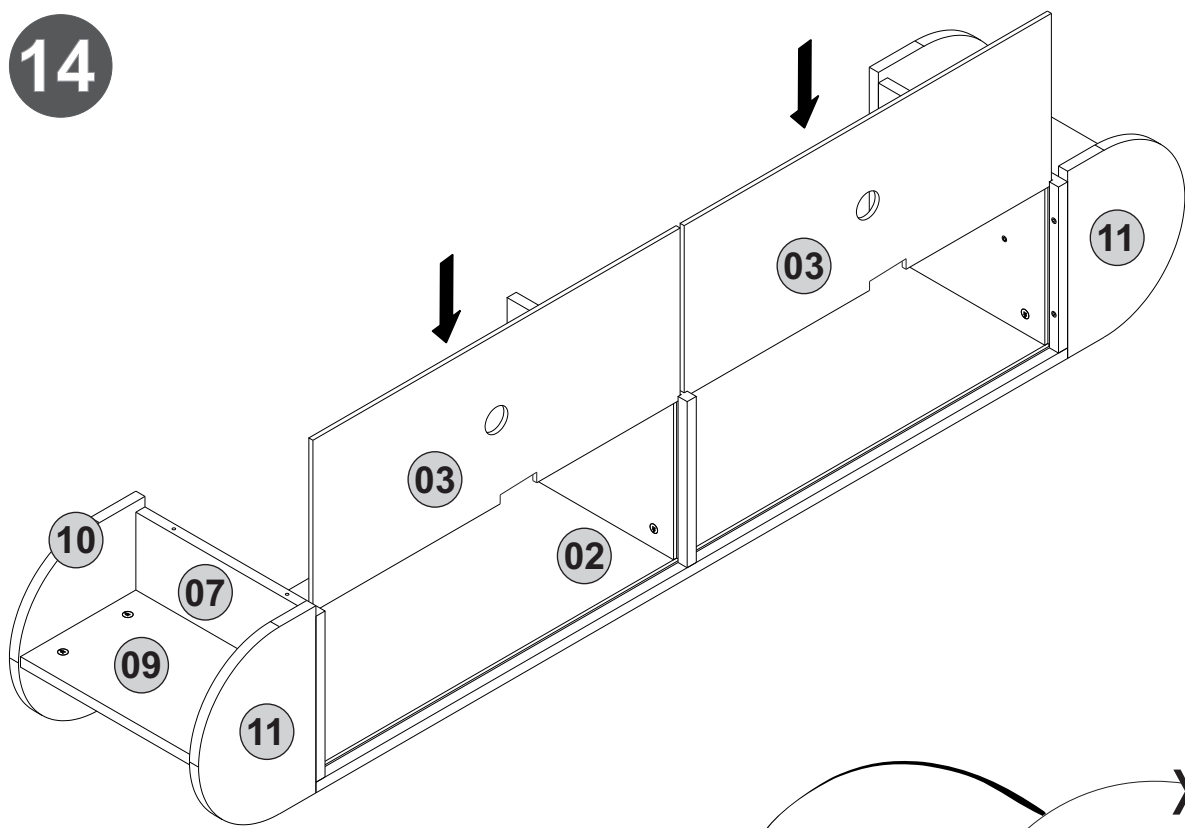
12



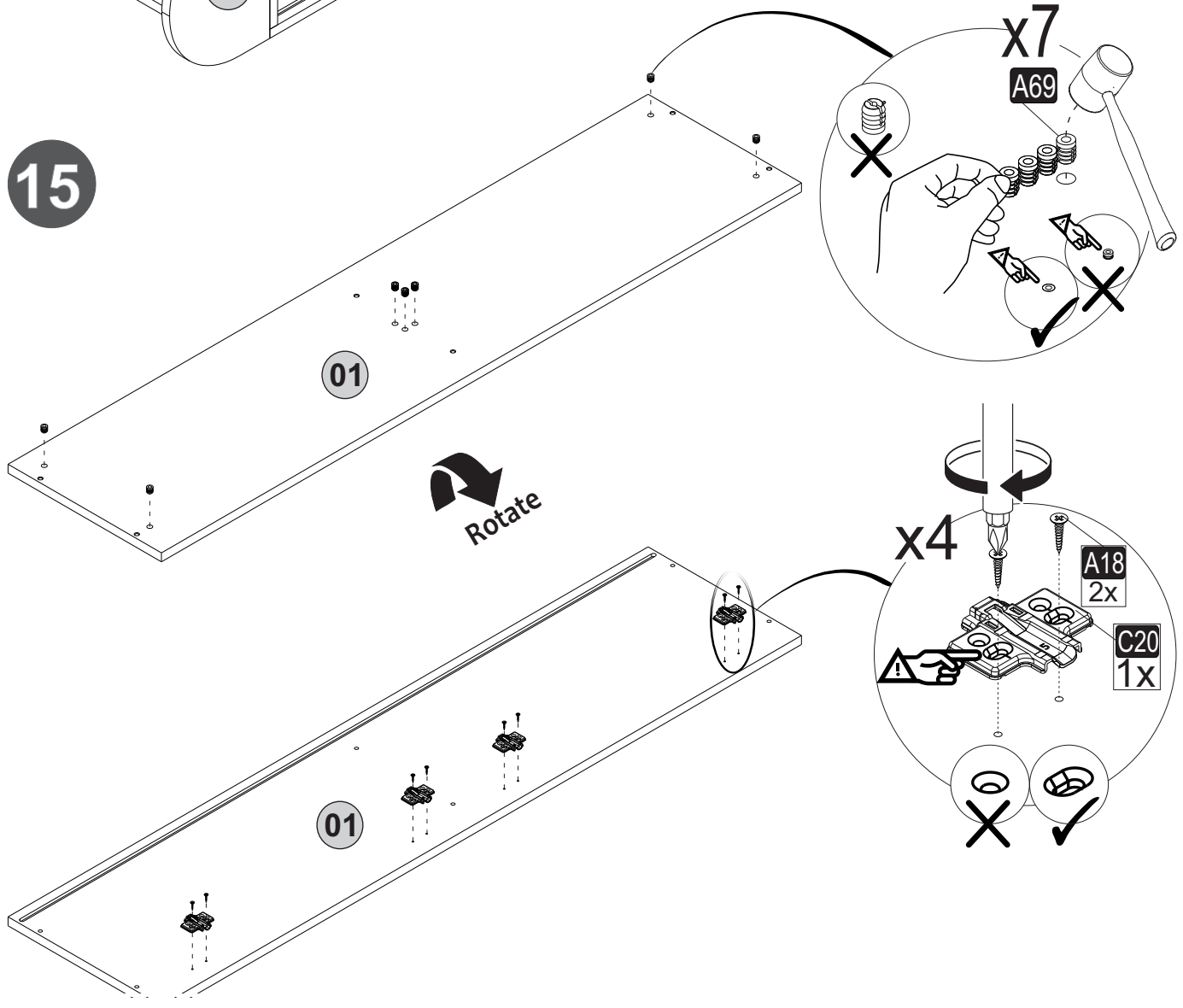
13



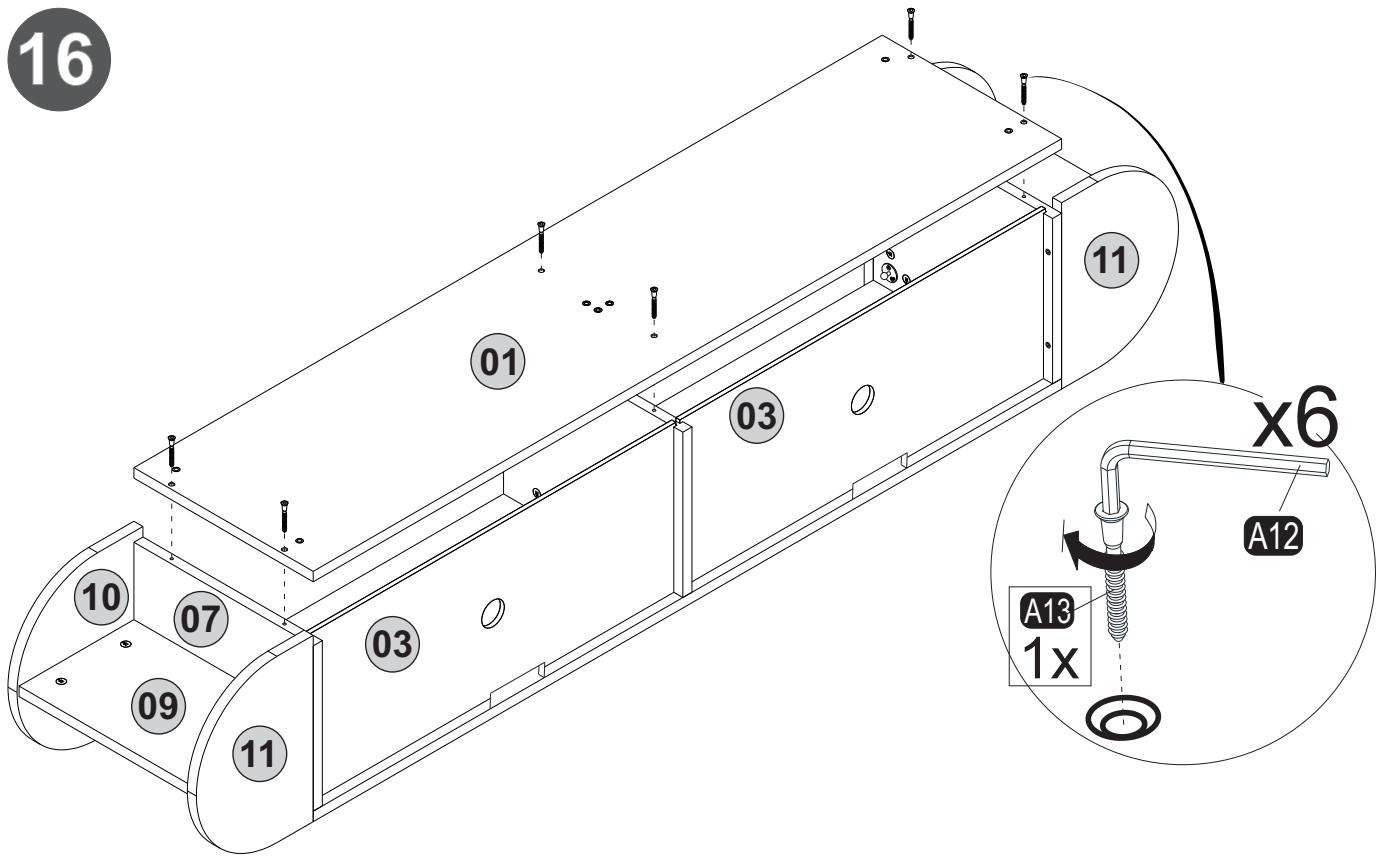
14



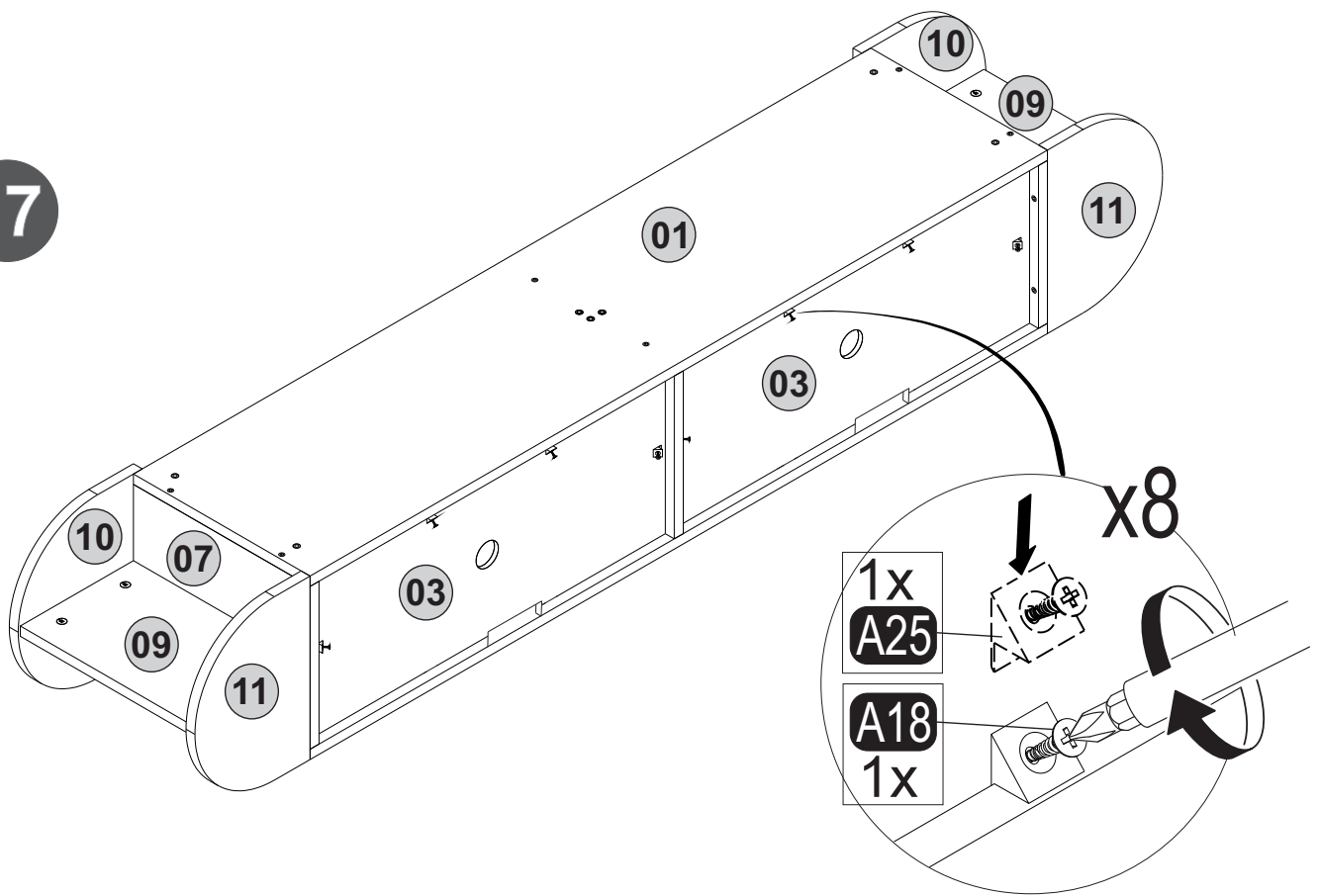
15

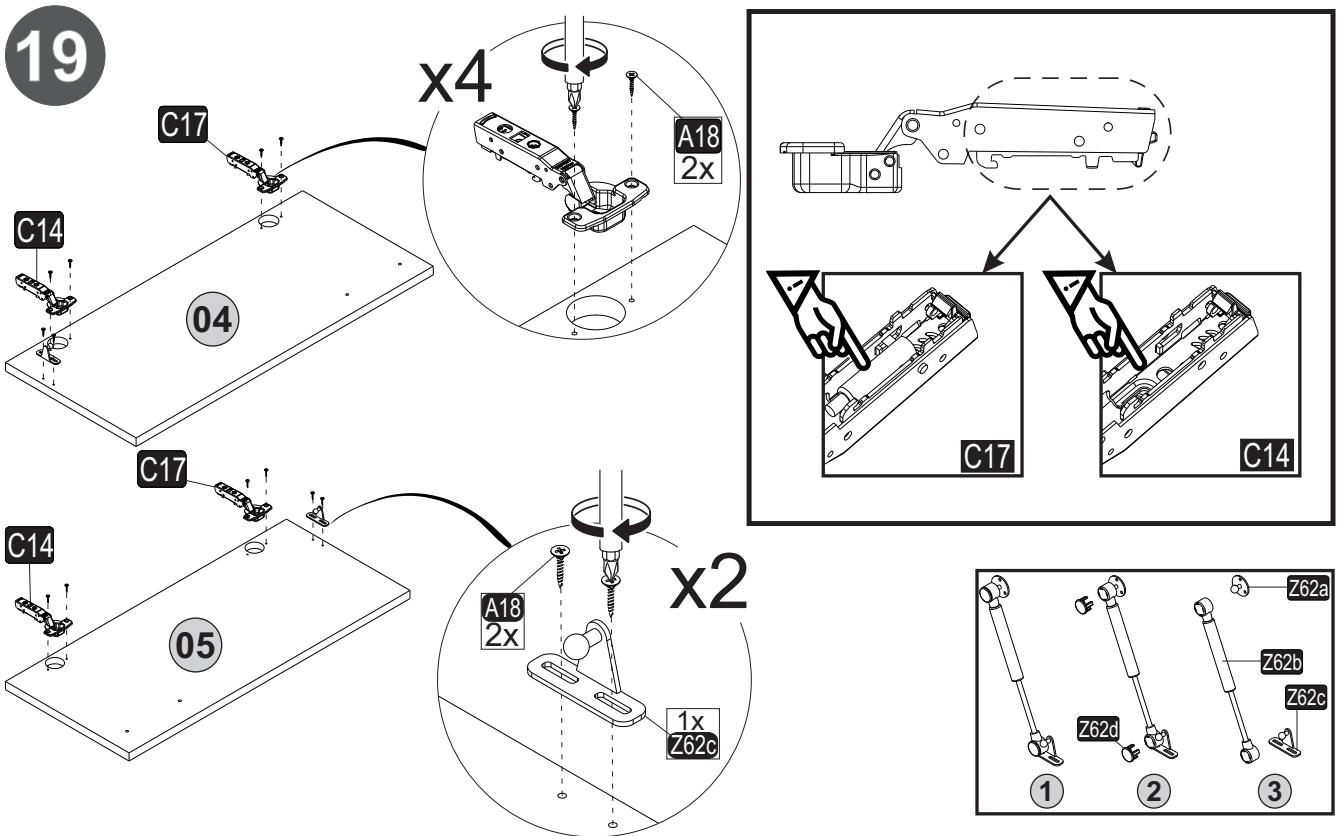
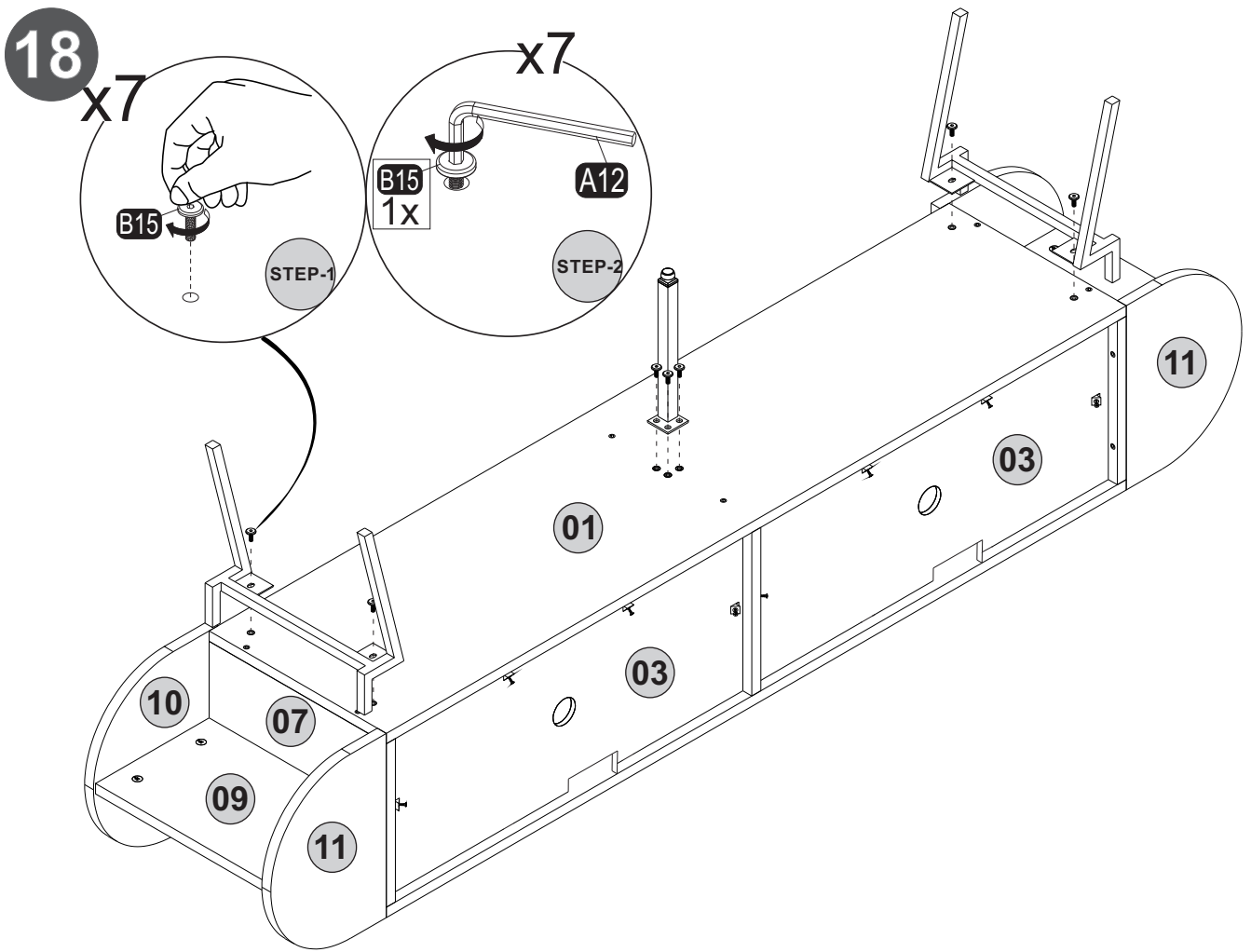


16

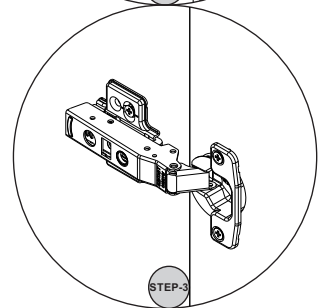
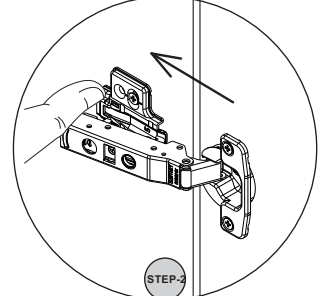
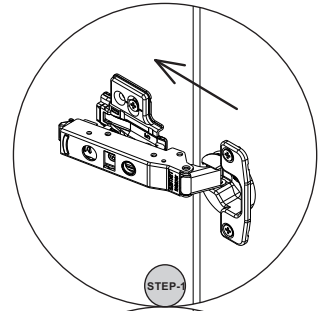
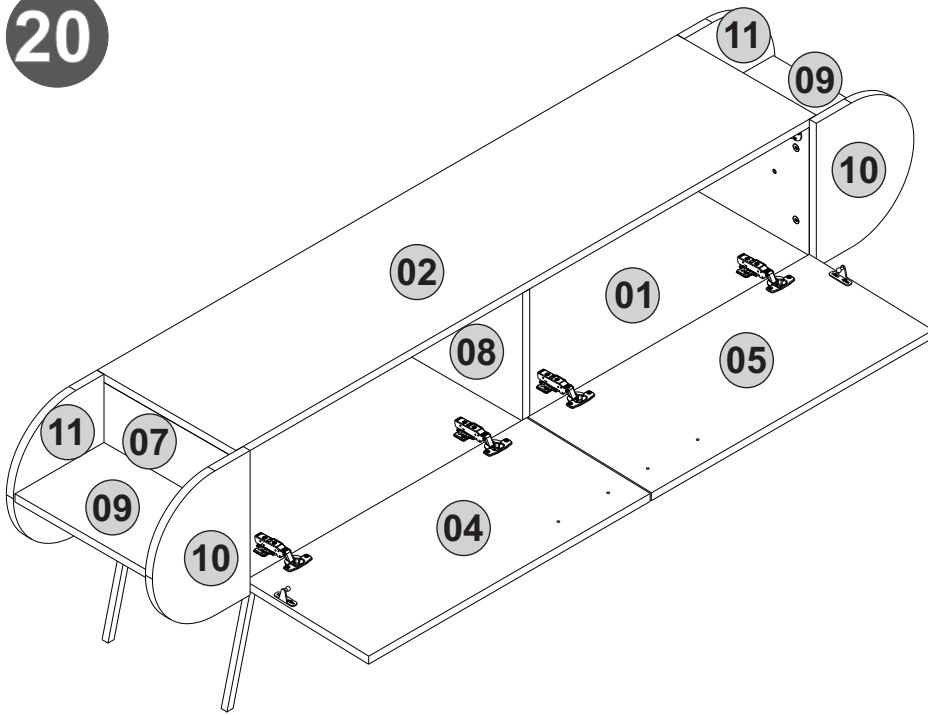


17

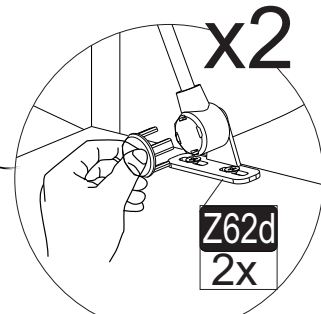
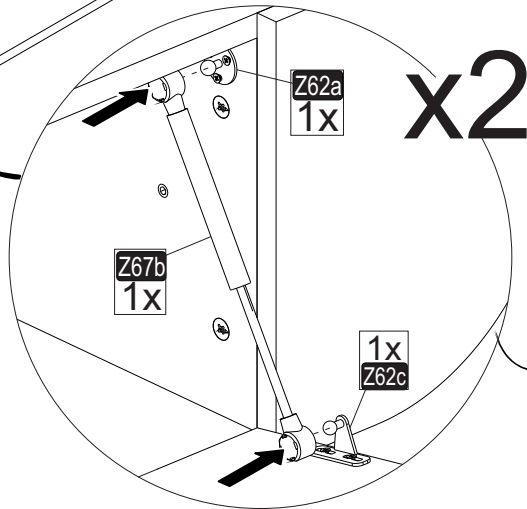
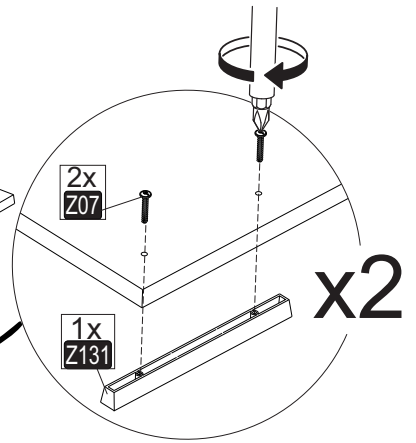
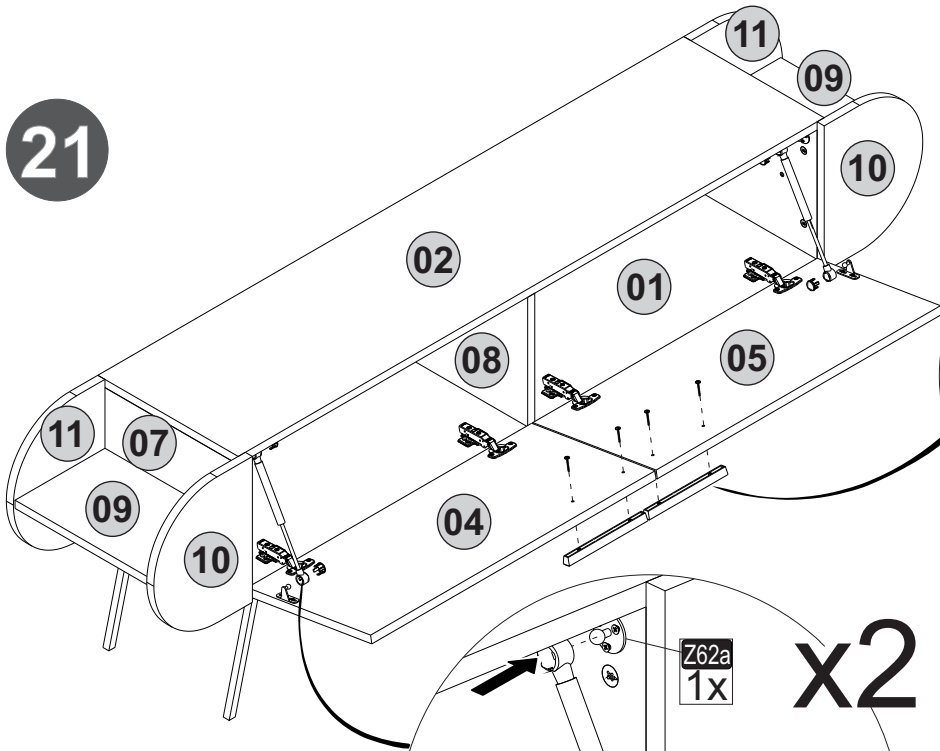




20



21



Z62d
2x

22

